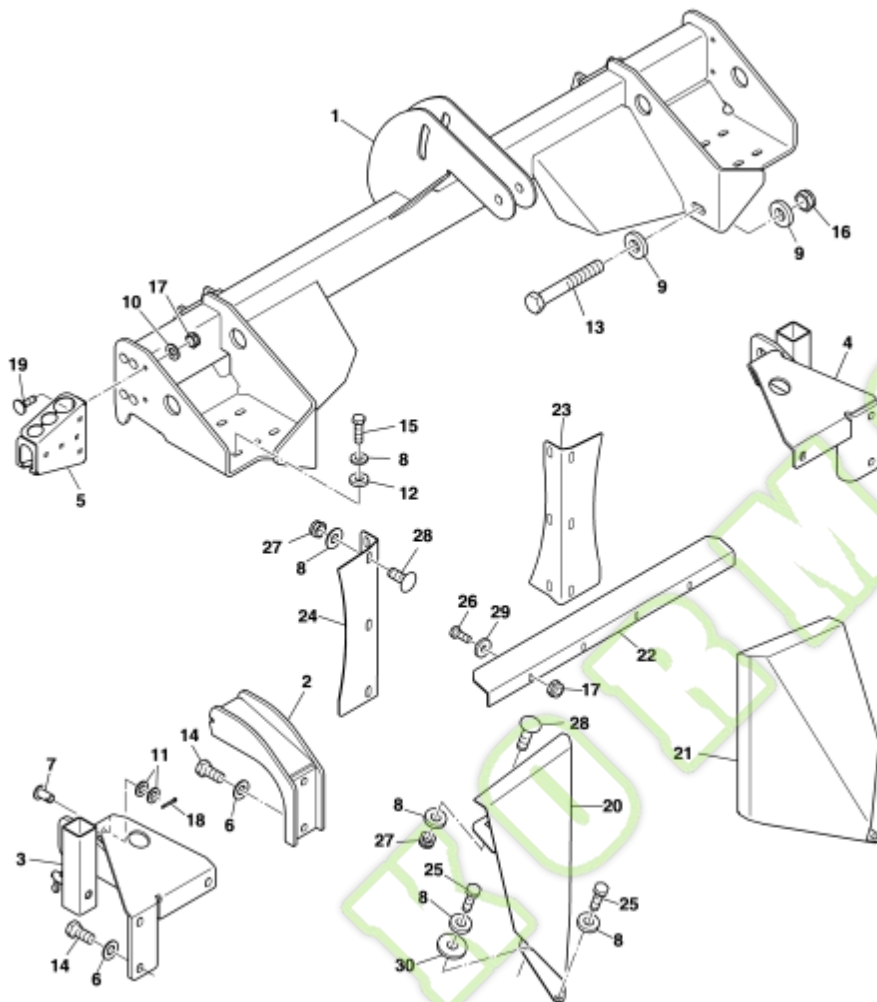


Catalog: 4711 | Grid: 0 | Section: 100 | Page: 1

Catalog Name: 360plus Rotary Harvesting Unit (European Edition)

Page Name: Rigid Frame (- 122138)



KM001093

| key | PART NO. | PART NAME | QTY | SERIAL NO. | REMARKS |
|-----|-----------|--------------|-----|------------|-----------------------|
| 1 | LCA106774 | Frame | 1 | | |
| 2 | LCA106768 | Holder | 2 | | |
| 3 | LCA106764 | Holder | 1 | | RH |
| 4 | LCA106763 | Holder | 1 | | LH |
| 5 | LCA90585 | Retainer | 1 | | |
| 6 | LCA89595 | Lock Washer | 10 | | |
| 7 | LCA83876 | Pin Fastener | 2 | | |
| 8 | LCA72740 | Lock Washer | 24 | | |
| 9 | 24M7615 | Washer | 4 | | 21 X 44 X 8 mm |
| 10 | 24M7055 | Washer | 2 | | 8.400 X 16 X 1.600 mm |
| key | PART NO. | PART NAME | QTY | SERIAL NO. | REMARKS |
| 11 | 24M7053 | Washer | 10 | | 17 X 30 X 3 mm |
| 12 | 24M7478 | Washer | 12 | | 13 X 30 X 6 mm |
| 13 | 19M7772 | Cap Screw | 2 | | M20 X 140 |
| 14 | 19M7283 | Cap Screw | 10 | | M16 X 35 |
| 15 | 19M7493 | Cap Screw | 12 | | M12 X 40 |

| 16 | 14M7410 | Lock Nut | 2 | | M20 |
|-----|-----------|------------|-----|------------|-------------------|
| 17 | 14M7166 | Lock Nut | 6 | | M8 |
| 18 | 11M7087 | Cotter Pin | 2 | | 4 X 40 mm |
| 19 | 03M7185 | Bolt | 2 | | M8 X 25 |
| 20 | LCA103021 | Guide | 1 | | RH |
| key | PART NO. | PART NAME | QTY | SERIAL NO. | REMARKS |
| 21 | LCA103022 | Guide | 1 | | LH |
| 22 | LCA99780 | Angle | 1 | | (A) |
| | LCA99781 | Angle | 1 | | (B) |
| 23 | LCA103024 | Sheet | 1 | | RH |
| 24 | LCA103023 | Sheet | 1 | | LH |
| 25 | 19M7938 | Cap Screw | 4 | | M10 X 20 |
| 26 | 19M7139 | Cap Screw | 4 | | M8 X 20 |
| 27 | 14M7167 | Lock Nut | AR | | M10 |
| 28 | 03M7089 | Bolt | 8 | | M12 X 30 |
| 29 | 24M7298 | Washer | 4 | | 8.400 X 25 X 2 mm |
| key | PART NO. | PART NAME | QTY | SERIAL NO. | REMARKS |
| 30 | 24M7180 | Washer | 2 | | 13 X 37 X 3 mm |
| | LCA97772 | Bushing | 2 | | |

(A) For 7200 / 7500 Series SPFH (B) For 7700 / 7900 Series SPFH

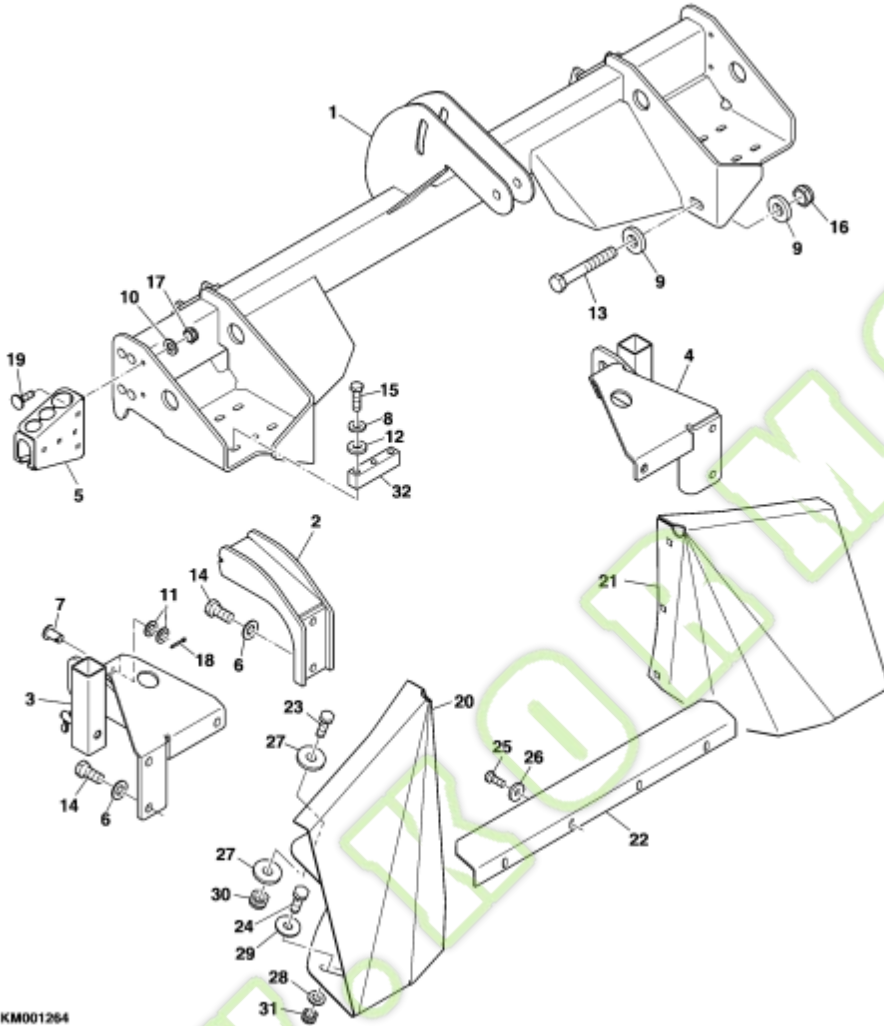
WWW.KORMO.BY

Catalog: 4711 | Grid: 0 | Section: 100 | Page: 2

Catalog Name: **360plus Rotary Harvesting Unit (European Edition)**

Page Name: **Rigid Frame (122139 -)**

Direction of Travel:



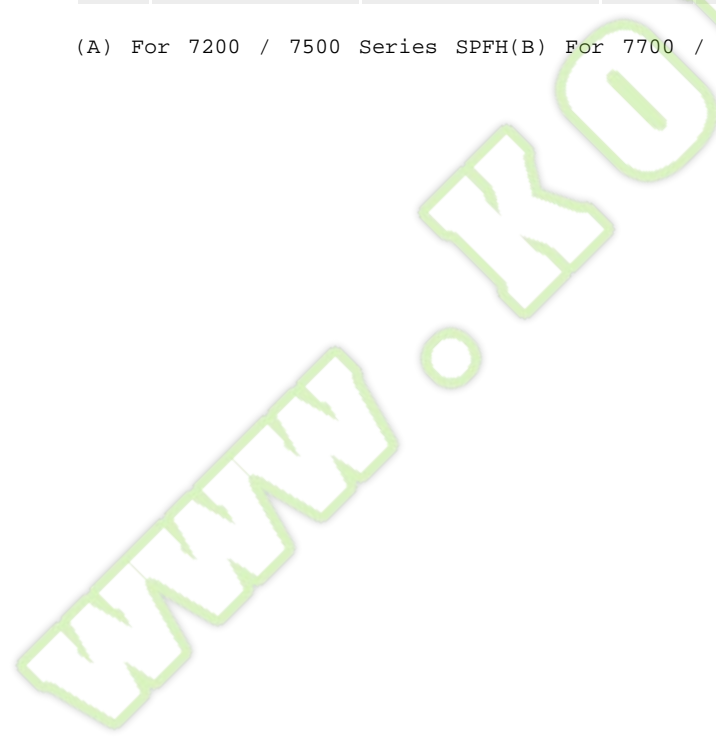
KM001264

| key | PART NO. | PART NAME | QTY | SERIAL NO. | REMARKS |
|-----|-----------|--------------|-----|------------|-----------------------|
| 1 | LCA106774 | Frame | 1 | -122246 | |
| | LCA109588 | Frame | 1 | 122247- | |
| 2 | LCA106768 | Holder | 2 | | |
| 3 | LCA106764 | Holder | 1 | | RH |
| 4 | LCA106763 | Holder | 1 | | LH |
| 5 | LCA90585 | Retainer | 1 | | |
| 6 | LCA89595 | Lock Washer | 10 | | |
| 7 | LCA83876 | Pin Fastener | 2 | | |
| 8 | LCA72740 | Lock Washer | 12 | -122246 | |
| | LCA89595 | Lock Washer | 12 | 122247- | |
| key | PART NO. | PART NAME | QTY | SERIAL NO. | REMARKS |
| 9 | 24M7615 | Washer | 4 | | 21 X 44 X 8 mm |
| 10 | 24M7055 | Washer | 2 | | 8.400 X 16 X 1.600 mm |
| 11 | 24M7053 | Washer | 10 | | 17 X 30 X 3 mm |



| | | | | | |
|-----|-----------|-------------|-----|------------|------------------------|
| 12 | 24M7478 | Washer | 12 | | 13 X 30 X 6 mm |
| 13 | 19M7772 | Cap Screw | 2 | | M20 X 140 |
| 14 | 19M7283 | Cap Screw | 10 | | M16 X 35 |
| 15 | 19M7493 | Cap Screw | 12 | -122246 | M12 X 40 |
| | 19M9901 | Cap Screw | 12 | 122247- | M16 X 70 |
| 16 | 14M7410 | Lock Nut | 2 | | M20 |
| 17 | 14M7166 | Lock Nut | 2 | | M8 |
| key | PART NO. | PART NAME | QTY | SERIAL NO. | REMARKS |
| 18 | 11M7087 | Cotter Pin | 2 | | 4 X 40 mm |
| 19 | 03M7185 | Bolt | 2 | | M8 X 25 |
| 20 | LCA107591 | Guide | 1 | | RH |
| 21 | LCA107590 | Guide | 1 | | LH |
| 22 | LCA99780 | Angle | 1 | | (A) |
| | LCA99781 | Angle | 1 | | (B) |
| 23 | 19M8011 | Cap Screw | 2 | | M12 X 30 |
| 24 | 19M7402 | Cap Screw | 4 | | M10 X 25 |
| 25 | 19M7139 | Cap Screw | 4 | | M8 X 20 |
| 26 | LCA84221 | Lock Washer | 4 | | |
| key | PART NO. | PART NAME | QTY | SERIAL NO. | REMARKS |
| 27 | 24M7180 | Washer | 4 | | 13 X 37 X 3 mm |
| 28 | 24M7028 | Washer | 4 | | 10.500 X 20 X 2 mm |
| 29 | 24M7178 | Washer | 4 | | 10.500 X 30 X 2.500 mm |
| 30 | 14M7168 | Lock Nut | 2 | | M12 |
| 31 | 14M7167 | Lock Nut | 4 | | M10 |
| 32 | LCA107038 | Strap | 4 | 122247- | |

(A) For 7200 / 7500 Series SPFH(B) For 7700 / 7900 Series SPFH

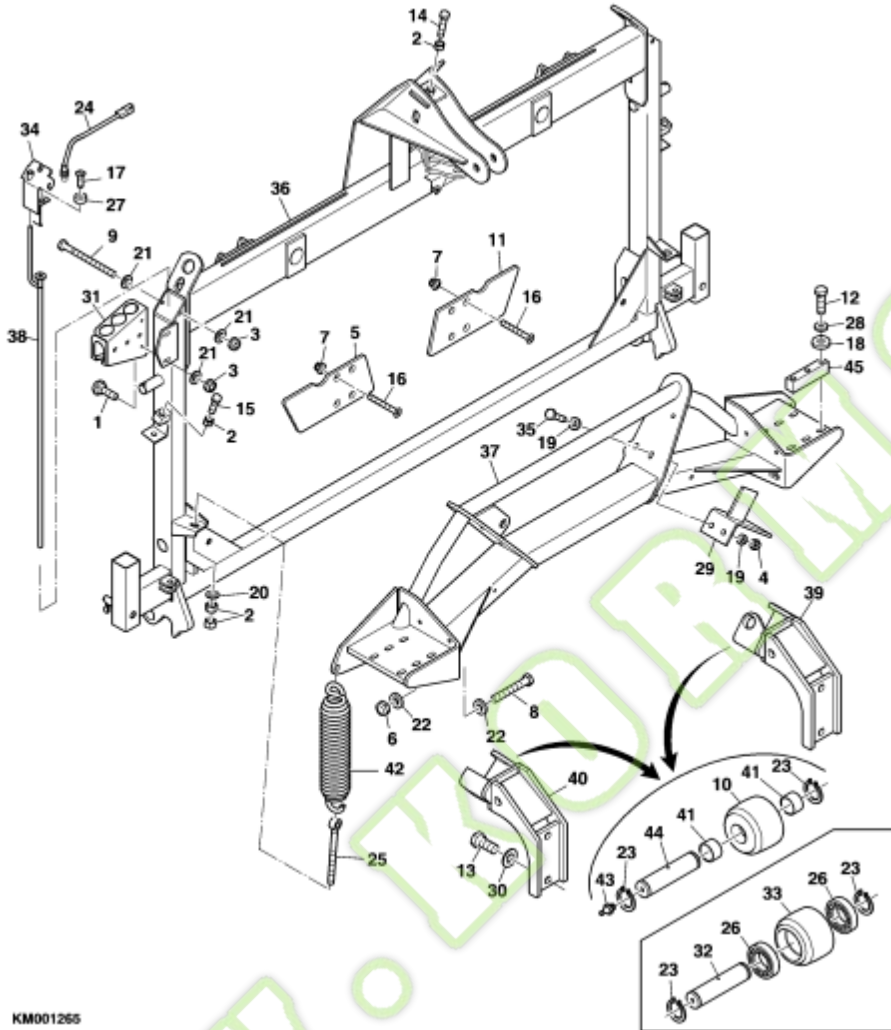


Catalog: 4711 | Grid: 0 | Section: 100 | Page: 3

Catalog Name: **360plus Rotary Harvesting Unit (European Edition)**

Page Name: **Attachment Frame**

Direction of Travel:



KM001265

| key | PART NO. | PART NAME | QTY | SERIAL NO. | REMARKS |
|-----|-----------|-----------|-----|------------|-----------|
| 1 | 03M7184 | Bolt | 2 | | M8 X 20 |
| 2 | 14M7142 | Nut | 6 | | M16 |
| | 14M7144 | Nut | 1 | | M20 |
| 3 | 14M7166 | Lock Nut | 4 | | M8 |
| 4 | 14M7167 | Lock Nut | AR | | M10 |
| 5 | LCA98754 | Plate | 1 | | |
| 6 | 14M7410 | Lock Nut | 2 | | M20 |
| 7 | 14M7400 | Lock Nut | 6 | | M10 |
| 8 | 19M7620 | Cap Screw | 2 | | M20 X 130 |
| 9 | 19M9625 | Cap Screw | 2 | | M8 X 100 |
| key | PART NO. | PART NAME | QTY | SERIAL NO. | REMARKS |
| 10 | LCA106331 | Roller | 2 | 117303- | |
| 11 | LCA98753 | Plate | 1 | | |
| 12 | 19M7493 | Cap Screw | 12 | -122246 | M12 X 40 |

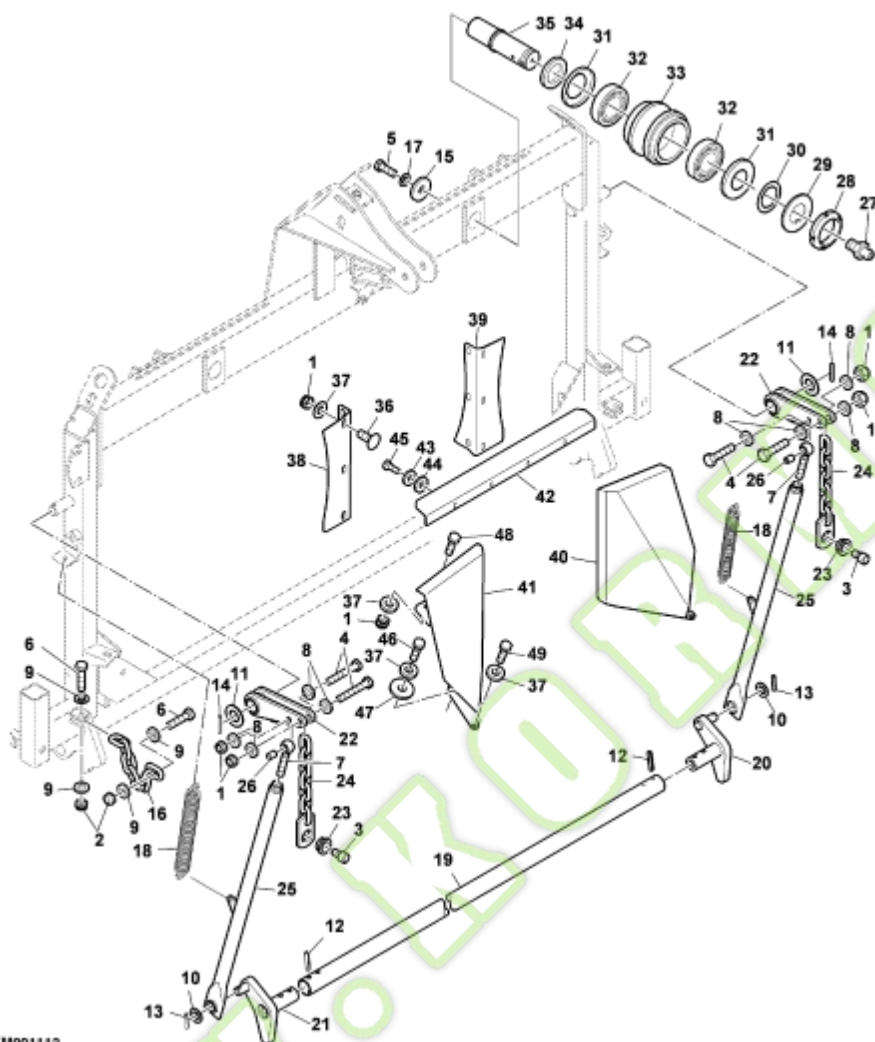
| | | | | | |
|------------|-----------------|---------------------|------------|-------------------|-----------------------|
| | 19M9901 | Cap Screw | 12 | 122247- | M16 X 70 |
| 13 | 19M7283 | Cap Screw | 4 | | M16 X 35 |
| 14 | 19M6754 | Cap Screw | 1 | | M16 X 75 |
| | L113529 | Screw | 1 | | M20 |
| 15 | 19M8558 | Cap Screw | 2 | | M16 X 55 |
| 16 | 19M9967 | Screw | 6 | | M10 X 80 |
| 17 | 21M7153 | Screw | 2 | | M4 X 16 |
| key | PART NO. | PART NAME | QTY | SERIAL NO. | REMARKS |
| 18 | 24M7478 | Washer | 12 | -122246 | 13 X 30 X 6 mm |
| 19 | 24M7028 | Washer | AR | | 10.500 X 20 X 2 mm |
| 20 | 24M7053 | Washer | AR | | 17 X 30 X 3 mm |
| 21 | 24M7055 | Washer | AR | | 8.400 X 16 X 1.600 mm |
| 22 | 24M7615 | Washer | 4 | | 21 X 44 X 8 mm |
| 23 | 40M7084 | Snap Ring | 4 | | |
| 24 | AZ57518 | Solenoid | 2 | | |
| 25 | 21M7590 | Eyebolt | 2 | | |
| 26 | JD30115 | Ball Bearing | 4 | -117302 | |
| 27 | Z64818 | Magnet | 2 | | |
| key | PART NO. | PART NAME | QTY | SERIAL NO. | REMARKS |
| 28 | LCA72740 | Lock Washer | AR | -122246 | |
| | LCA89595 | Lock Washer | 12 | 122247- | |
| 29 | LCA106385 | Stop | 2 | | |
| 30 | LCA89595 | Lock Washer | 4 | | |
| 31 | LCA90585 | Retainer | 1 | | |
| 32 | LCA91908 | Pin Fastener | 2 | -117302 | |
| 33 | LCA91911 | Roller | 2 | -117302 | |
| 34 | LCA111693 | Holder | 1 | | LH |
| | LCA111694 | Holder | 1 | | RH |
| 35 | 19M7550 | Cap Screw | 4 | | M10 X 35 |
| key | PART NO. | PART NAME | QTY | SERIAL NO. | REMARKS |
| 36 | LCA98566 | Frame | 1 | | |
| 37 | LCA106811 | Bracket | 1 | -122246 | |
| | LCA107036 | Bracket | 1 | 122247- | |
| 38 | LCA109768 | Bar | 2 | | |
| 39 | LCA98995 | Support | 1 | | |
| 40 | LCA98996 | Support | 1 | | |
| 41 | LCA95845 | Bushing | 4 | | |
| 42 | Z67236 | Spring | 2 | | |
| 43 | 58M5574 | Lubrication Fitting | 2 | 117303- | |
| 44 | LCA106332 | Pin Fastener | 2 | 117303- | |
| key | PART NO. | PART NAME | QTY | SERIAL NO. | REMARKS |
| 45 | LCA107038 | Strap | 4 | 122247- | |

Catalog: 4711 | Grid: 0 | Section: 100 | Page: 4

Catalog Name: **360plus Rotary Harvesting Unit (European Edition)**

Page Name: **Attachment Frame (- 122138)**

Direction of Travel:



KM001112

| key | PART NO. | PART NAME | QTY | SERIAL NO. | REMARKS |
|-----|----------|-------------------|-----|------------|--------------------|
| 1 | 14M7167 | Lock Nut | AR | | M10 |
| 2 | 14M7168 | Lock Nut | 4 | | M12 |
| 3 | 19M10062 | Socket Head Screw | 2 | | M16 X 25 |
| 4 | 19M7156 | Cap Screw | 4 | | M10 X 60 |
| 5 | 19M7489 | Cap Screw | 2 | | M16 X 45 |
| 6 | 19M7496 | Cap Screw | 4 | | M12 X 45 |
| 7 | 21M7426 | Eyebolt | 2 | | |
| 8 | 24M7028 | Washer | AR | | 10.500 X 20 X 2 mm |
| 9 | 24M7047 | Washer | AR | | 13 X 24 X 2.500 mm |
| 10 | 24M7051 | Washer | 2 | | 21 X 37 X 3 mm |
| key | PART NO. | PART NAME | QTY | SERIAL NO. | REMARKS |
| 11 | 24M7202 | Washer | 2 | | 31 X 56 X 4 mm |
| 12 | 34M7274 | Spring Pin | 2 | | 10 X 50 mm |
| 13 | 34M7047 | Spring Pin | 2 | | 8 X 40 mm |

| 14 | 34M7049 | Spring Pin | 2 | | 8 X 50 mm |
|-----|-----------|------------------------|-----|------------|-------------------|
| 15 | H129716 | Washer | 2 | | |
| 16 | LCA80387 | Link Chain | 2 | | |
| 17 | LCA89595 | Lock Washer | 2 | | |
| 18 | LCA94416 | Extension Spring | 2 | | |
| 19 | LCA94911 | Tube | 1 | | |
| 20 | LCA94912 | Lever | 1 | | |
| key | PART NO. | PART NAME | QTY | SERIAL NO. | REMARKS |
| 21 | LCA94913 | Lever | 1 | | |
| 22 | LCA95002 | Lever | 2 | | |
| 23 | LCA96173 | Bushing | 2 | | |
| 24 | LCA104631 | Link Chain | 2 | | |
| 25 | LCA97610 | Brace | 2 | | |
| 26 | LCA97772 | Bushing | 2 | | |
| 27 | 58M5574 | Lubrication Fitting | 2 | | |
| 28 | LCA92218 | Nut | 2 | | |
| 29 | LCA91503 | Lock Plate | 2 | | |
| 30 | 24M4813 | Washer | 2 | | 50 X 62 X 1 mm |
| key | PART NO. | PART NAME | QTY | SERIAL NO. | REMARKS |
| 31 | LCA29460 | Sealing Washer | 4 | | |
| 32 | JD37087 | Tapered Roller Bearing | 4 | | |
| 33 | LCA91501 | Roller | 2 | | |
| 34 | 24M7594 | Washer | 2 | | 50 X 62 X 3 mm |
| 35 | LCA91502 | Shaft | 2 | | |
| 36 | 03M7089 | Bolt | 6 | | M12 X 30 |
| 37 | LCA72740 | Lock Washer | 12 | | |
| 38 | LCA103024 | Sheet | 1 | | (A) (B) RH |
| 39 | LCA103023 | Sheet | 1 | | (A) (B) LH |
| 40 | LCA103027 | Guide | 1 | | (B) LH |
| key | PART NO. | PART NAME | QTY | SERIAL NO. | REMARKS |
| | LCA103021 | Guide | 1 | | (A) LH |
| 41 | LCA103028 | Guide | 1 | | (B) RH |
| | LCA103022 | Guide | 1 | | (A) RH |
| 42 | LCA99781 | Angle | 1 | | (B) |
| | LCA99780 | Angle | 1 | | (A) |
| 43 | 24M7298 | Washer | 4 | | 8.400 X 25 X 2 mm |
| 44 | LCA84221 | Lock Washer | 4 | | |
| 45 | 19M7139 | Cap Screw | 4 | | M8 X 20 |
| 46 | 19M7938 | Cap Screw | 2 | | M10 X 20 |
| 47 | 24M7180 | Washer | 2 | | 13 X 37 X 3 mm |
| key | PART NO. | PART NAME | QTY | SERIAL NO. | REMARKS |
| 48 | 19M7744 | Cap Screw | 2 | | M12 X 35 |
| 49 | 19M8324 | Cap Screw | 2 | | M10 X 16 |

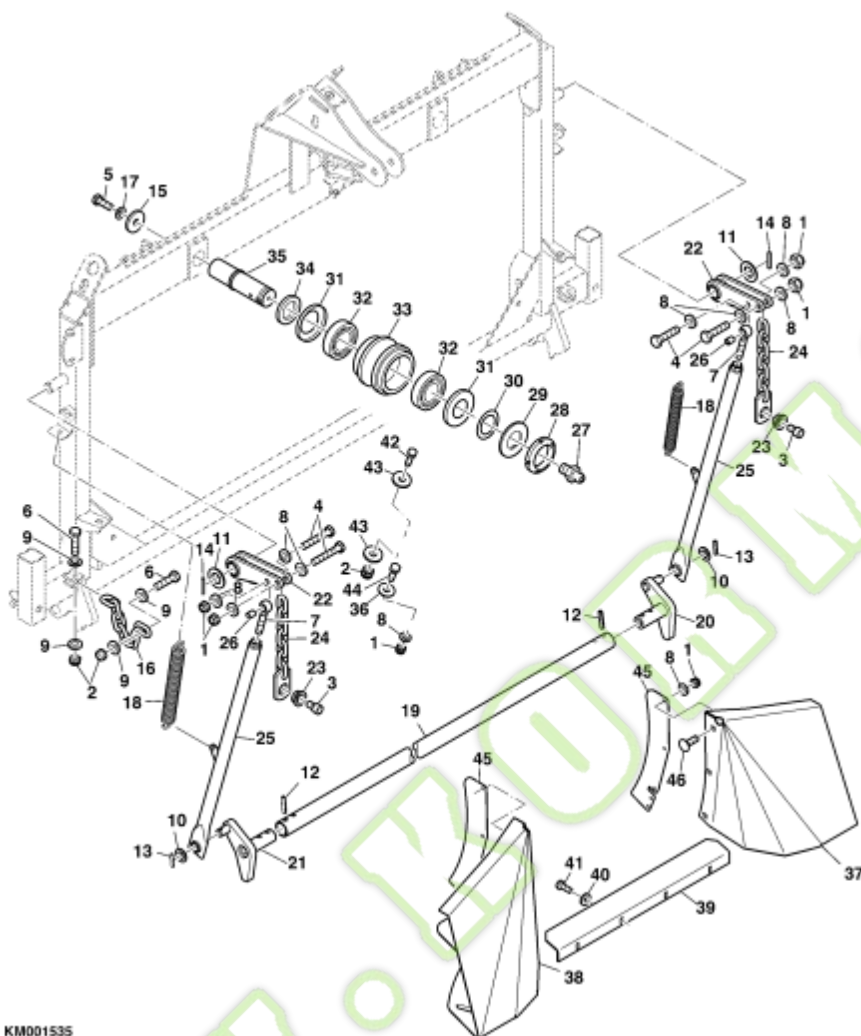
(A) For 7200 / 7500 Series SPFH(B) For 7700 / 7900 Series SPFH

Catalog: 4711 | Grid: 0 | Section: 100 | Page: 5

Catalog Name: **360plus Rotary Harvesting Unit (European Edition)**

Page Name: **Attachment Frame (122139 -)**

Direction of Travel:



KM001535

| key | PART NO. | PART NAME | QTY | SERIAL NO. | REMARKS |
|-----|----------|-------------------|-----|------------|--------------------|
| 1 | 14M7167 | Lock Nut | AR | | M10 |
| 2 | 14M7168 | Lock Nut | 4 | | M12 |
| 3 | 19M10062 | Socket Head Screw | 2 | | M16 X 25 |
| 4 | 19M7156 | Cap Screw | 4 | | M10 X 60 |
| 5 | 19M7489 | Cap Screw | 2 | | M16 X 45 |
| 6 | 19M7496 | Cap Screw | 4 | | M12 X 45 |
| 7 | 21M7426 | Eyebolt | 2 | | |
| 8 | 24M7028 | Washer | AR | | 10.500 X 20 X 2 mm |
| 9 | 24M7047 | Washer | AR | | 13 X 24 X 2.500 mm |
| 10 | 24M7051 | Washer | 2 | | 21 X 37 X 3 mm |
| key | PART NO. | PART NAME | QTY | SERIAL NO. | REMARKS |
| 11 | 24M7202 | Washer | 2 | | 31 X 56 X 4 mm |
| 12 | 34M7274 | Spring Pin | 2 | | 10 X 50 mm |
| 13 | 34M7047 | Spring Pin | 2 | | 8 X 40 mm |

| 14 | 34M7049 | Spring Pin | 2 | | 8 X 50 mm |
|-----|-----------|------------------------|-----|------------|------------------------|
| 15 | H129716 | Washer | 2 | | |
| 16 | LCA80387 | Link Chain | 2 | | |
| 17 | LCA89595 | Lock Washer | 2 | | |
| 18 | LCA94416 | Extension Spring | 2 | | |
| 19 | LCA94911 | Tube | 1 | | |
| 20 | LCA94912 | Lever | 1 | | |
| key | PART NO. | PART NAME | QTY | SERIAL NO. | REMARKS |
| 21 | LCA94913 | Lever | 1 | | |
| 22 | LCA95002 | Lever | 2 | | |
| 23 | LCA96173 | Bushing | 2 | | |
| 24 | LCA104631 | Link Chain | 2 | | |
| 25 | LCA97610 | Brace | 2 | | |
| 26 | LCA97772 | Bushing | 2 | | |
| 27 | 58M5574 | Lubrication Fitting | 2 | | |
| 28 | LCA92218 | Nut | 2 | | |
| 29 | LCA91503 | Lock Plate | 2 | | |
| 30 | 24M4813 | Washer | 2 | | 50 X 62 X 1 mm |
| key | PART NO. | PART NAME | QTY | SERIAL NO. | REMARKS |
| 31 | LCA29460 | Sealing Washer | 4 | | |
| 32 | JD37087 | Tapered Roller Bearing | 4 | | |
| 33 | LCA91501 | Roller | 2 | | |
| 34 | 24M7594 | Washer | 2 | | 50 X 62 X 3 mm |
| 35 | LCA91502 | Shaft | 2 | | |
| 36 | 24M7178 | Washer | AR | | 10.500 X 30 X 2.500 mm |
| 37 | LCA107590 | Guide | 1 | | LH |
| 38 | LCA107591 | Guide | 1 | | RH |
| 39 | LCA99781 | Angle | 1 | | (B) |
| | LCA99780 | Angle | 1 | | (A) |
| key | PART NO. | PART NAME | QTY | SERIAL NO. | REMARKS |
| 40 | LCA84221 | Lock Washer | 4 | | |
| 41 | 19M7139 | Cap Screw | 4 | | M8 X 20 |
| 42 | 19M8011 | Cap Screw | 2 | | M12 X 30 |
| 43 | 24M7180 | Washer | 4 | | 13 X 37 X 3 mm |
| 44 | 19M7550 | Cap Screw | 6 | | M10 X 35 |
| 45 | LCA112049 | Sheet | 2 | | (A) (B) |
| 46 | 03M7191 | Bolt | 10 | | M10 X 25 |

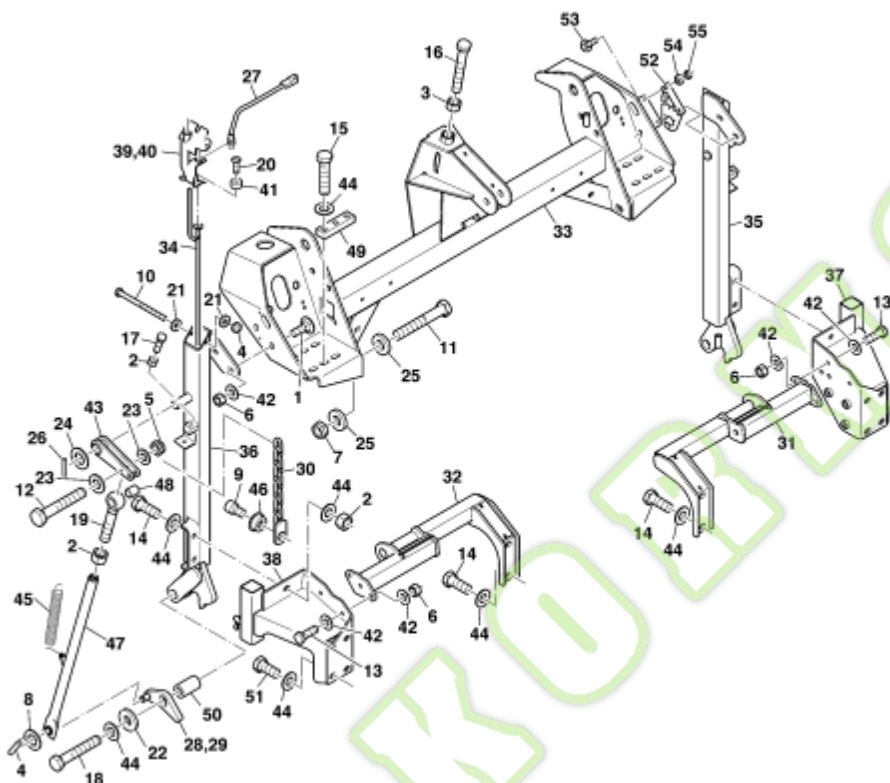
(A) For 7200 / 7500 Series SPFH(B) For 7700 / 7900 Series SPFH

Catalog: 4711 | Grid: 0 | Section: 100 | Page: 6

Catalog Name: **360plus Rotary Harvesting Unit (European Edition)**

Page Name: **Attachment Frame for 8000 Series SPFH**

Direction of Travel:



KM001551

| key | PART NO. | PART NAME | QTY | SERIAL NO. | REMARKS |
|-----|----------|-------------------|-----|------------|----------------|
| 1 | 03M7083 | Bolt | 4 | | M12 X 35 |
| 2 | 14M7142 | Nut | AR | | M16 |
| 3 | 14M7144 | Nut | 1 | | M20 |
| 4 | 34M7047 | Spring Pin | 2 | | 8 X 40 mm |
| 5 | 14M7167 | Lock Nut | AR | | M10 |
| 6 | 14M7275 | Nut | 4 | | M12 |
| 7 | 14M7410 | Lock Nut | 2 | | M20 |
| 8 | 24M7500 | Washer | 2 | | 21 X 37 X 3 mm |
| 9 | 19M10062 | Socket Head Screw | 2 | | M16 X 25 |
| 10 | 19M7997 | Cap Screw | 2 | | M8 X 110 |
| key | PART NO. | PART NAME | QTY | SERIAL NO. | REMARKS |
| 11 | 19M7620 | Cap Screw | 2 | | M20 X 130 |
| 12 | 19M7156 | Cap Screw | 2 | | M10 X 60 |
| 13 | 19M7744 | Cap Screw | 4 | | M12 X 35 |

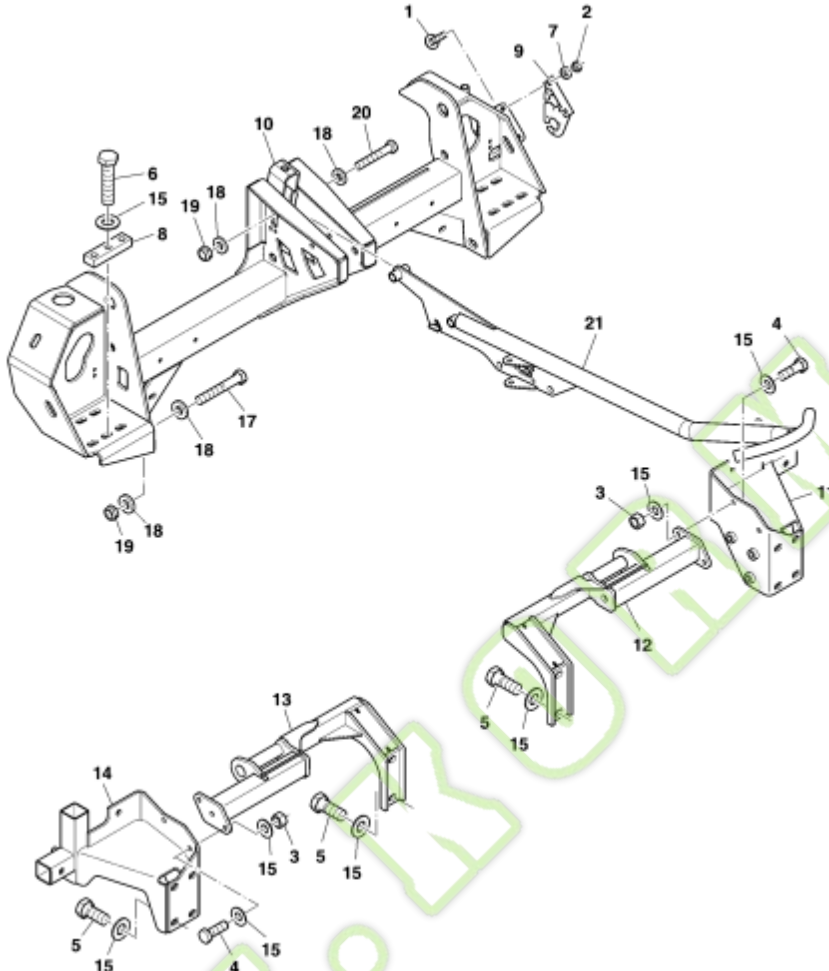
| 14 | 19M7488 | Cap Screw | 4 | | M16 X 40 |
|-----|-----------|------------------|-----|------------|-----------------------|
| 15 | 19M9901 | Cap Screw | 12 | | M16 X 70 |
| 16 | 19M7772 | Cap Screw | 1 | | M20 X 140 |
| 17 | 19M8558 | Cap Screw | 2 | | M16 X 55 |
| 18 | 19M7353 | Cap Screw | 2 | | M16 X 95 |
| 19 | 21M7426 | Eyebolt | 2 | | |
| 20 | 21M7153 | Screw | 2 | | M4 X 16 |
| key | PART NO. | PART NAME | QTY | SERIAL NO. | REMARKS |
| 21 | 24M7476 | Washer | AR | | 8.400 X 21 X 4 mm |
| 22 | 24M7439 | Washer | AR | | 17 X 40 X 6 mm |
| 23 | 24M7028 | Washer | AR | | 10.500 X 20 X 2 mm |
| 24 | 24M7202 | Washer | AR | | 31 X 56 X 4 mm |
| 25 | 24M7615 | Washer | AR | | 21 X 44 X 8 mm |
| 26 | 34M7049 | Spring Pin | AR | | 8 X 50 mm |
| 27 | AZ57518 | Solenoid | 2 | | |
| 28 | LCA104470 | Lever | 1 | | |
| 29 | LCA104471 | Lever | 1 | | |
| 30 | LCA104631 | Link Chain | 2 | | |
| key | PART NO. | PART NAME | QTY | SERIAL NO. | REMARKS |
| 31 | LCA106932 | Bracket | 1 | | |
| 32 | LCA106933 | Bracket | 1 | | |
| 33 | LCA113693 | Bracket | 1 | | |
| 34 | LCA109768 | Bar | 2 | | |
| 35 | LCA111466 | Bracket | 1 | | |
| 36 | LCA111467 | Bracket | 1 | | |
| 37 | LCA113696 | Bracket | 1 | | |
| 38 | LCA113697 | Bracket | 1 | | |
| 39 | LCA111693 | Holder | 1 | | LH |
| 40 | LCA111694 | Holder | 1 | | RH |
| key | PART NO. | PART NAME | QTY | SERIAL NO. | REMARKS |
| 41 | LCA71865 | Magnet | 2 | | |
| 42 | LCA72740 | Lock Washer | AR | | |
| 43 | LCA95002 | Lever | 2 | | |
| 44 | LCA89595 | Lock Washer | AR | | |
| 45 | LCA94416 | Extension Spring | 2 | | |
| 46 | LCA96173 | Bushing | 2 | | |
| 47 | LCA97610 | Brace | 2 | | |
| 48 | LCA97772 | Bushing | 2 | | |
| 49 | LCA107038 | Strap | 4 | | |
| 50 | LCA104372 | Bushing | 2 | | |
| key | PART NO. | PART NAME | QTY | SERIAL NO. | REMARKS |
| 51 | 19M9657 | Cap Screw | 8 | | M16 X 35 |
| 52 | LCA113464 | Holder | 1 | | |
| 53 | 03M7185 | Bolt | 2 | | M8 X 25 |
| 54 | 24M7055 | Washer | 2 | | 8.400 X 16 X 1.600 mm |
| 55 | 14M7166 | Lock Nut | 2 | | M8 |

Catalog: 4711 | Grid: 0 | Section: 100 | Page: 7

Catalog Name: **360plus Rotary Harvesting Unit (European Edition)**

Page Name: **Attachment Frame for 8000 Series SPFH (131200 -)**

Direction of Travel:



KM001717

| key | PART NO. | PART NAME | QTY | SERIAL NO. | REMARKS |
|-----|-----------|-----------|-----|------------|-----------------------|
| 1 | 03M7185 | Bolt | 2 | | M8 X 25 |
| 2 | 14M7166 | Lock Nut | 2 | | M8 |
| 3 | 14M7275 | Nut | 4 | | M12 |
| 4 | 19M7744 | Cap Screw | 4 | | M12 X 35 |
| 5 | 19M7283 | Cap Screw | 12 | | M16 X 35 |
| 6 | 19M9901 | Cap Screw | 6 | | M16 X 70 |
| 7 | 24M7055 | Washer | 2 | | 8.400 X 16 X 1.600 mm |
| 8 | LCA107038 | Strap | 2 | | |
| 9 | LCA113464 | Holder | 1 | | |
| 10 | LCA114977 | Bracket | 1 | | |
| key | PART NO. | PART NAME | QTY | SERIAL NO. | REMARKS |
| 11 | LCA114984 | Bracket | 1 | | |
| 12 | LCA114995 | Console | 1 | | |
| 13 | LCA114996 | Console | 1 | | |

| | | | | | |
|-----|-----------|-------------|-----|------------|----------------|
| 14 | LCA115003 | Bracket | 1 | | |
| 15 | LCA72740 | Lock Washer | AR | | |
| 16 | LCA89595 | Lock Washer | AR | | |
| 17 | 19M7620 | Cap Screw | 2 | | M20 X 130 |
| 18 | 24M7615 | Washer | 8 | | 21 X 44 X 8 mm |
| 19 | 14M7410 | Lock Nut | 4 | | M20 |
| 20 | 19M7519 | Cap Screw | 2 | | M20 X 120 |
| key | PART NO. | PART NAME | QTY | SERIAL NO. | REMARKS |
| 21 | LCA117055 | Tube | 1 | | |

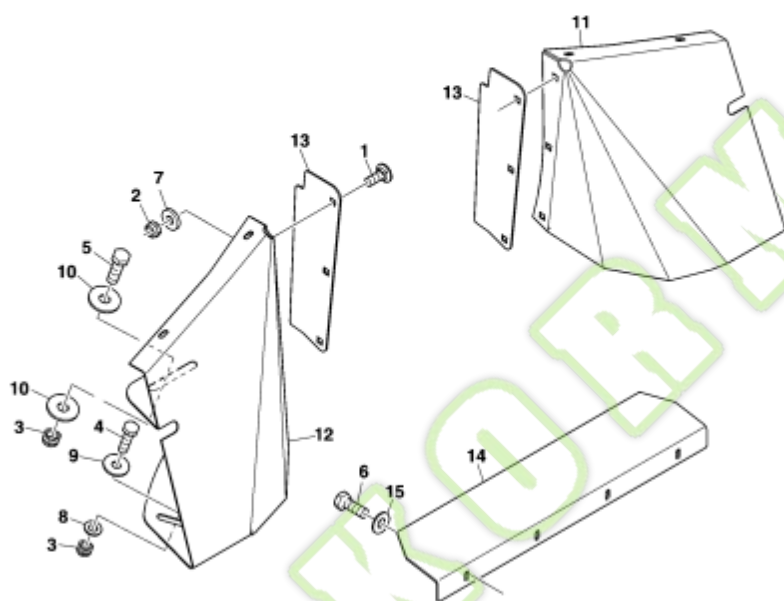
WWW.KORMO.BY

Catalog: 4711 | Grid: 0 | Section: 100 | Page: 8

Catalog Name: **360plus Rotary Harvesting Unit (European Edition)**

Page Name: **Feed Plates for 8000 Series SPFH**

Direction of Travel:



KM001301

| key | PART NO. | PART NAME | QTY | SERIAL NO. | REMARKS |
|-----|-----------|-----------|-----|------------|------------------------|
| 1 | 03M7191 | Bolt | 6 | | M10 X 25 |
| 2 | 14M7167 | Lock Nut | 12 | | M10 |
| 3 | 14M7168 | Lock Nut | 2 | | M12 |
| 4 | 19M7550 | Cap Screw | 6 | | M10 X 35 |
| 5 | 19M8011 | Cap Screw | 2 | | M12 X 30 |
| 6 | 19M7139 | Cap Screw | 4 | | M8 X 20 |
| 7 | 24M7213 | Washer | 6 | | 10.500 X 25 X 4 mm |
| 8 | 24M7028 | Washer | 6 | | 10.500 X 20 X 2 mm |
| 9 | 24M7178 | Washer | 6 | | 10.500 X 30 X 2.500 mm |
| 10 | 24M7180 | Washer | 4 | | 13 X 37 X 3 mm |
| key | PART NO. | PART NAME | QTY | SERIAL NO. | REMARKS |
| 11 | LCA107590 | Guide | 1 | | |
| 12 | LCA107591 | Guide | 1 | | |
| 13 | LCA107598 | Guide | 2 | | |

| | | | | |
|----|-----------|-------------|---|-----|
| 14 | LCA110126 | Angle | 1 | (A) |
| | LCA107446 | Angle | 1 | (B) |
| 15 | LCA84221 | Lock Washer | 4 | |

(A) For 8100 - 8500 Series SPFH(B) For 8600 - 8800 Series SPFH

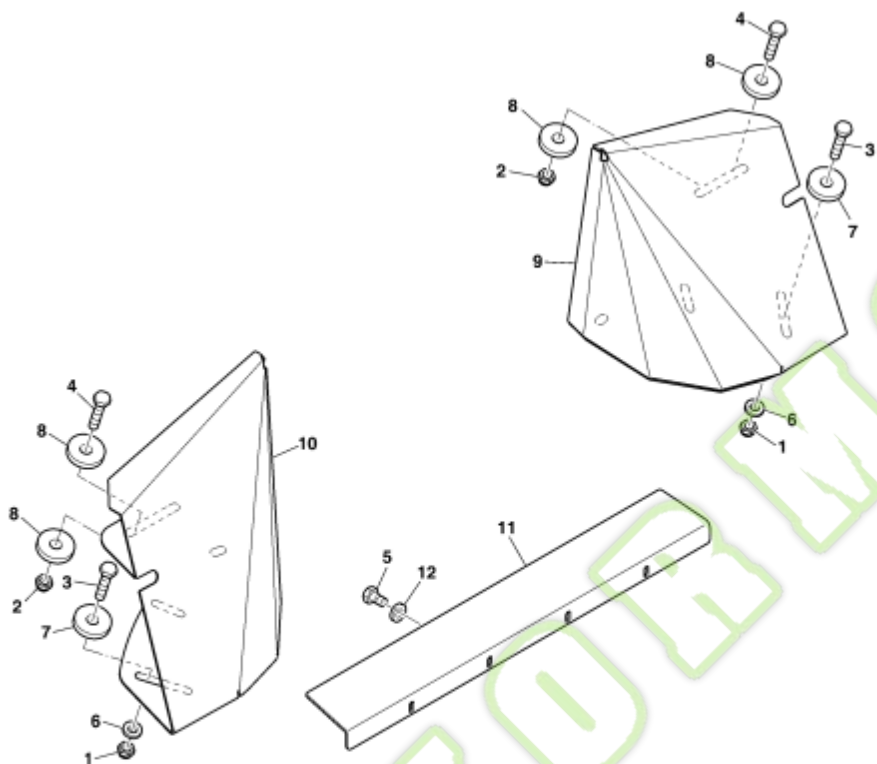
WWW.KORMO.BY

Catalog: 4711 | Grid: 0 | Section: 100 | Page: 9

Catalog Name: **360plus Rotary Harvesting Unit (European Edition)**

Page Name: **Feed Plates for 8000 Series SPFH (131200 -)**

Direction of Travel:



KM001730

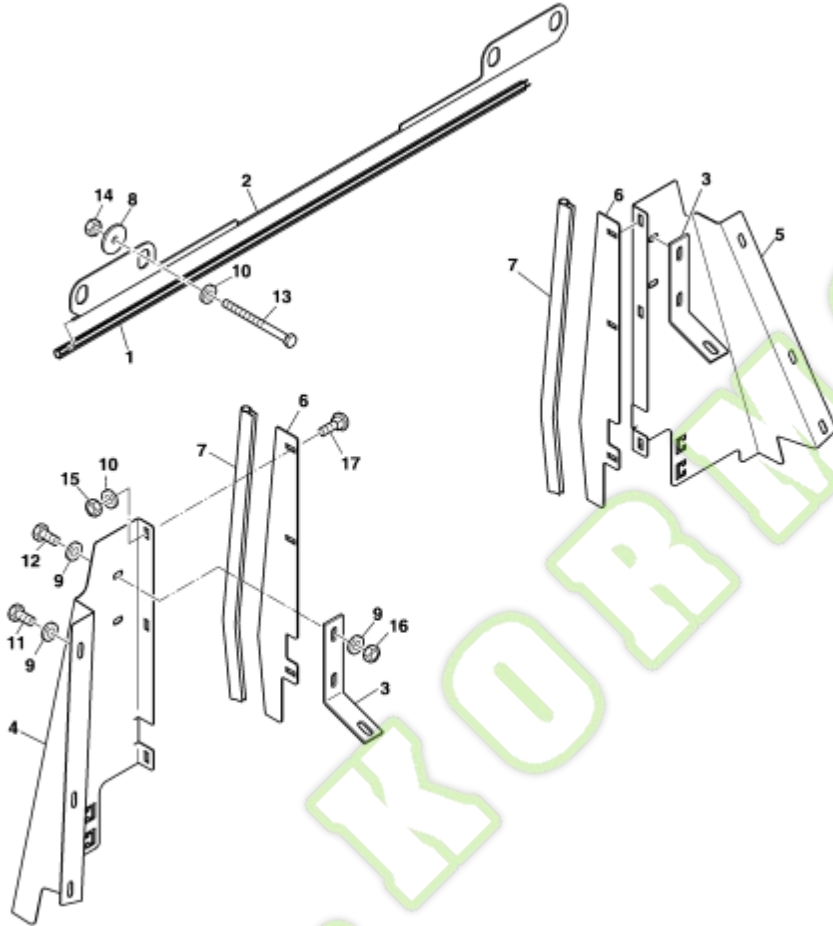
| key | PART NO. | PART NAME | QTY | SERIAL NO. | REMARKS |
|-----|-----------|-------------|-----|------------|-----------------------------|
| 1 | 14M7167 | Lock Nut | 6 | | M10 |
| 2 | 14M7168 | Lock Nut | 2 | | M12 |
| 3 | 19M7550 | Cap Screw | 6 | | M10 X 35 |
| 4 | 19M8011 | Cap Screw | 2 | | M12 X 30 |
| 5 | 19M7139 | Cap Screw | 4 | | M8 X 20 |
| 6 | 24M7028 | Washer | 6 | | 10.500 X 20 X 2 mm |
| 7 | 24M7178 | Washer | 6 | | 10.500 X 30 X 2.500 mm |
| 8 | 24M7180 | Washer | 4 | | 13 X 37 X 3 mm |
| 9 | LCA118076 | Guide | 1 | | |
| 10 | LCA118077 | Guide | 1 | | |
| key | PART NO. | PART NAME | QTY | SERIAL NO. | REMARKS |
| 11 | LCA118085 | Sheet | 1 | | For 8100 - 8500 Series SPFH |
| | LCA118081 | Sheet | 1 | | For 8600 - 8800 Series SPFH |
| 12 | LCA84221 | Lock Washer | 4 | | |

Catalog: 4711 | Grid: 0 | Section: 100 | Page: 10

Catalog Name: **360plus Rotary Harvesting Unit (European Edition)**

Page Name: **Cover Kit for 8000 Series SPFH**

Direction of Travel:



KM001271

| key | PART NO. | PART NAME | QTY | SERIAL NO. | REMARKS |
|-----|-----------|-------------|-----|------------|-----------|
| 1 | LCA109754 | Isolator | 1 | | |
| 2 | LCA109753 | Sheet | 1 | | |
| 3 | LCA109686 | Support | 2 | | |
| 4 | LCA109683 | Cover | 1 | | |
| 5 | LCA109682 | Cover | 1 | | |
| 6 | LCA109680 | Sheet | 2 | | |
| 7 | LCA107439 | Guard | 2 | | |
| 8 | LCA98336 | Washer | 2 | | |
| 9 | LCA84221 | Lock Washer | 12 | | |
| 10 | LCA71878 | Lock Washer | 10 | | |
| key | PART NO. | PART NAME | QTY | SERIAL NO. | REMARKS |
| 11 | 19M7139 | Cap Screw | 6 | | M8 X 20 |
| 12 | 19M7938 | Cap Screw | 4 | | M10 X 20 |
| 13 | 19M8343 | Cap Screw | 2 | | M10 X 120 |

| | | | | | |
|----|---------|----------|---|--|---------|
| 14 | 14M7167 | Lock Nut | 2 | | M10 |
| 15 | 14M7029 | Nut | 6 | | M8 |
| 16 | 14M7140 | Nut | 4 | | M10 |
| 17 | 03M7183 | Bolt | 6 | | M8 X 16 |

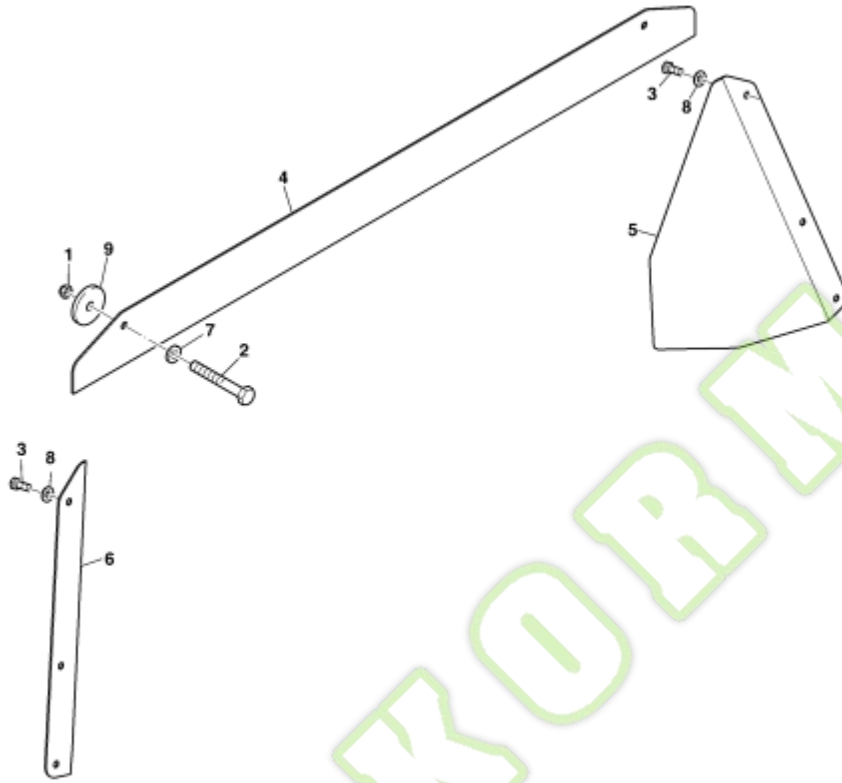
WWW.KORMO.BY

Catalog: 4711 | Grid: 0 | Section: 100 | Page: 11

Catalog Name: **360plus Rotary Harvesting Unit (European Edition)**

Page Name: **Cover Kit for 8000 Series SPFH (131200 -)**

Direction of Travel:



KM001728

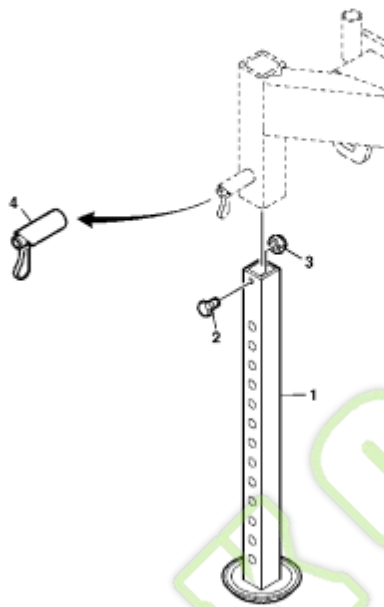
| key | PART NO. | PART NAME | QTY | SERIAL NO. | REMARKS |
|-----|-----------|-------------|-----|------------|-----------|
| 1 | 14M7167 | Lock Nut | 2 | | M10 |
| 2 | 19M8343 | Cap Screw | 2 | | M10 X 120 |
| 3 | 19M7139 | Cap Screw | 6 | | M8 X 20 |
| 4 | LCA117060 | Sheet | 1 | | |
| 5 | LCA117061 | Sheet | 1 | | |
| 6 | LCA117062 | Sheet | 1 | | |
| 7 | LCA71878 | Lock Washer | 2 | | |
| 8 | LCA84221 | Lock Washer | 6 | | |
| 9 | LCA98336 | Washer | 2 | | |

Catalog: 4711 | Grid: 0 | Section: 100 | Page: 12

Catalog Name: **360plus Rotary Harvesting Unit (European Edition)**

Page Name: **Jackstands**

Direction of Travel:



KM000401

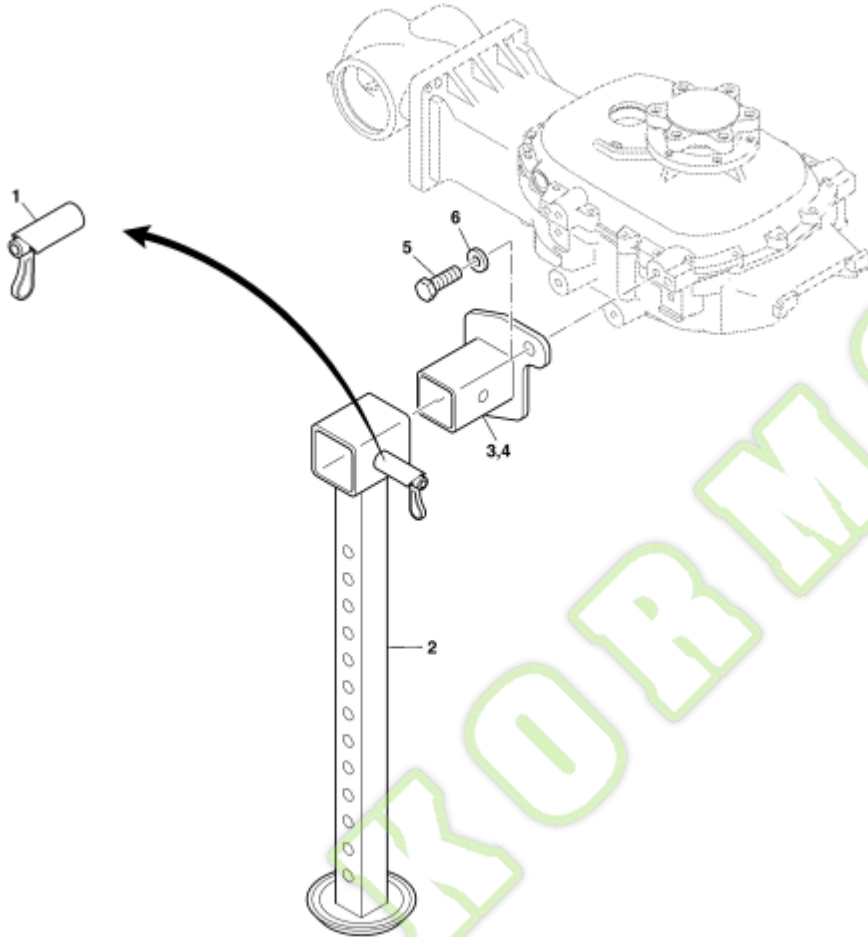
| key | PART NO. | PART NAME | QTY | SERIAL NO. | REMARKS |
|-----|-----------|-----------|-----|------------|---------|
| 1 | LCA72673 | Stand-Off | 2 | | |
| 2 | 19M7923 | Cap Screw | 2 | | M6 X 12 |
| 3 | 14M7165 | Lock Nut | 2 | | M6 |
| 4 | LCA104172 | Latch | 2 | | |

Catalog: 4711 | Grid: 0 | Section: 100 | Page: 13

Catalog Name: **360plus Rotary Harvesting Unit (European Edition)**

Page Name: **Jackstands - Front for 8000 Series SPFH (131200 -)**

Direction of Travel:



KM001725

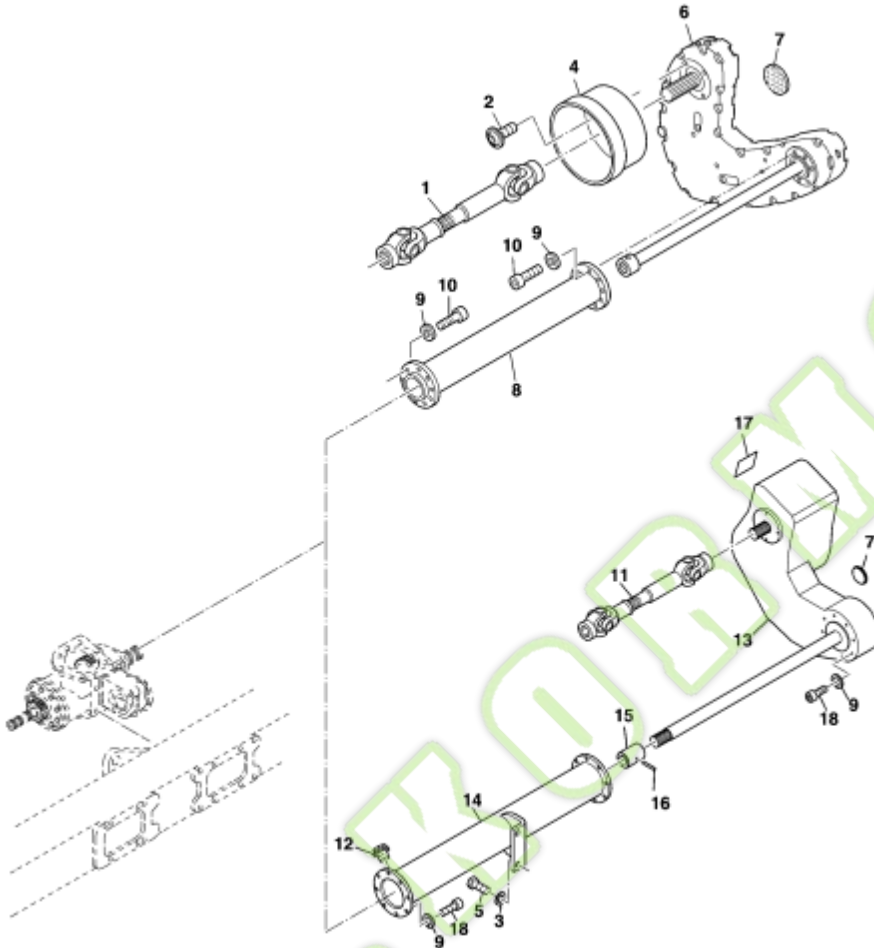
| key | PART NO. | PART NAME | QTY | SERIAL NO. | REMARKS |
|-----|-----------|-------------|-----|------------|----------|
| 1 | LCA104172 | Latch | 2 | | |
| 2 | LCA118094 | Support | 2 | | |
| 3 | LCA103736 | Retainer | 1 | | LH |
| 4 | LCA103737 | Retainer | 1 | | RH |
| 5 | 19M8011 | Cap Screw | 4 | | M12 X 30 |
| 6 | LCA72740 | Lock Washer | 4 | | |

Catalog: 4711 | Grid: 0 | Section: 100 | Page: 14

Catalog Name: **360plus Rotary Harvesting Unit (European Edition)**

Page Name: **Transmission**

Direction of Travel:



KM001081

| key | PART NO. | PART NAME | QTY | SERIAL NO. | REMARKS |
|-----|-----------|----------------------|-----|------------|-----------|
| 1 | LCA86279 | Universal Driveshaft | 1 | | (A) (B) |
| 2 | LCA84698 | Screw | 4 | | |
| 3 | LCA89595 | Lock Washer | 2 | | |
| 4 | LCA65354 | Guard | 1 | | |
| 5 | 19M7488 | Cap Screw | 2 | | M16 X 40 |
| 6 | LCA69426 | Transmission | 1 | | |
| 7 | AZ47247 | Reflector | 1 | | |
| 8 | LCA105078 | Guard | 1 | | |
| 9 | 12M7061 | Lock Washer | 16 | | 10.500 mm |
| 10 | 19M9793 | Socket Head Screw | 16 | | M10 X 25 |
| key | PART NO. | PART NAME | QTY | SERIAL NO. | REMARKS |
| 11 | LCA111699 | Universal Driveshaft | 1 | | (A) |
| | LCA111698 | Universal Driveshaft | 1 | | (B) |
| 12 | LCA104042 | Plug | 1 | | |

| | | | | | |
|----|----------|-------------------|----|--|--------------------|
| 13 | LCA92431 | Transmission | 1 | | |
| 14 | LCA99862 | Flange | 1 | | |
| 15 | LCA62698 | Bushing | 1 | | |
| 16 | 24M7049 | Washer | 1 | | 17.500 X 30 X 3 mm |
| 17 | LCA50525 | Label | 1 | | |
| 18 | 19M9778 | Socket Head Screw | 16 | | M10 X 30 |

(A) For 7200 / 7500 Series SPFH(B) For 7700 / 7900 Series SPFH

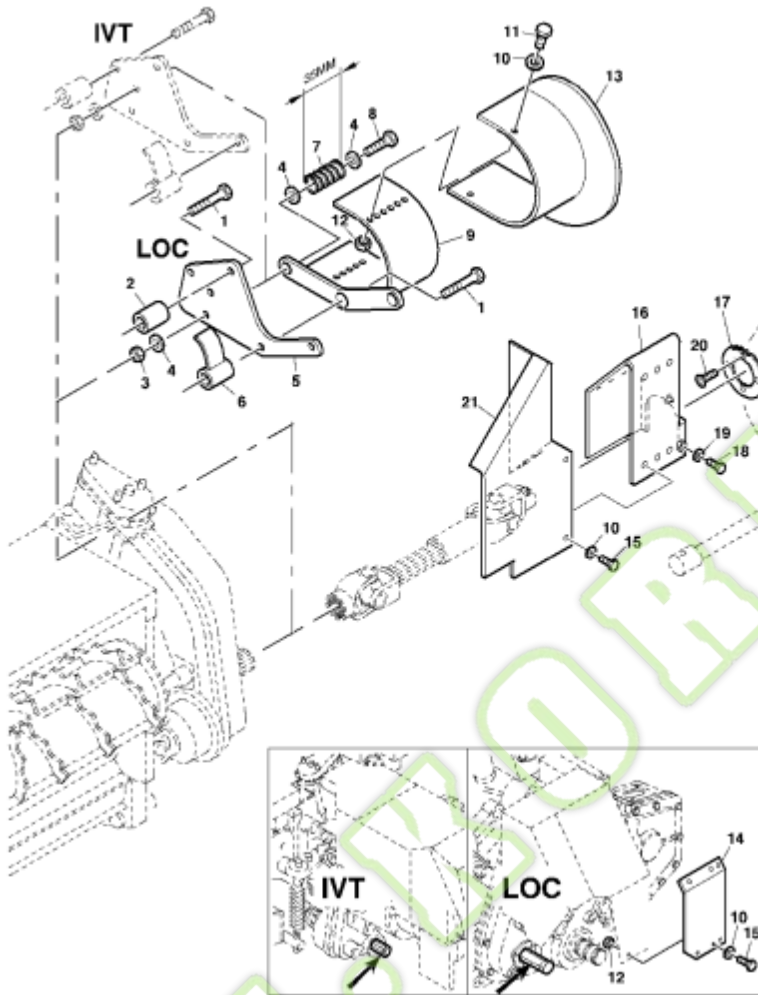
WWW.KORMO.BY

Catalog: 4711 | Grid: 0 | Section: 100 | Page: 15

Catalog Name: **360plus Rotary Harvesting Unit (European Edition)**

Page Name: **Guards For Main Transmission**

Direction of Travel:



ZX034833

| key | PART NO. | PART NAME | QTY | SERIAL NO. | REMARKS |
|-----|----------|--------------------|-----|------------|-----------------------|
| 1 | 19M7719 | Cap Screw | 2 | | M16 X 70 |
| 2 | CC28725 | Bushing | 1 | | |
| 3 | 14M7168 | Lock Nut | 1 | | M12 |
| 4 | 24M7047 | Washer | 3 | | 13 X 24 X 2.500 mm |
| 5 | LCA83833 | Plate | 1 | | |
| 6 | LCA84083 | Guard | 1 | | |
| 7 | LCA38598 | Compression Spring | 1 | | |
| 8 | 19M7214 | Cap Screw | 1 | | M12 X 70 |
| 9 | LCA83831 | Guard | 1 | | |
| 10 | 24M7055 | Washer | 4 | | 8.400 X 16 X 1.600 mm |
| key | PART NO. | PART NAME | QTY | SERIAL NO. | REMARKS |
| 11 | 19M7139 | Cap Screw | 2 | | M8 X 20 |
| 12 | 14M7166 | Lock Nut | 1 | | M8 |
| 13 | LCA83832 | Guard | 1 | | |
| 14 | LCA84107 | Guard | 1 | | |

| | | | | | |
|-----|----------|-----------|-----|------------|--------------------|
| 15 | 19M7932 | Cap Screw | 2 | | M8 X 16 |
| 16 | LCA84100 | Guard | 1 | | |
| 17 | LCA84101 | Retainer | 1 | | |
| 18 | 19M7402 | Cap Screw | 1 | | M10 X 25 |
| 19 | 24M7028 | Washer | 1 | | 10.500 X 20 X 2 mm |
| 20 | 19M7924 | Screw | 4 | | M8 X 16 |
| key | PART NO. | PART NAME | QTY | SERIAL NO. | REMARKS |
| 21 | LCA84097 | Sheet | 1 | | |

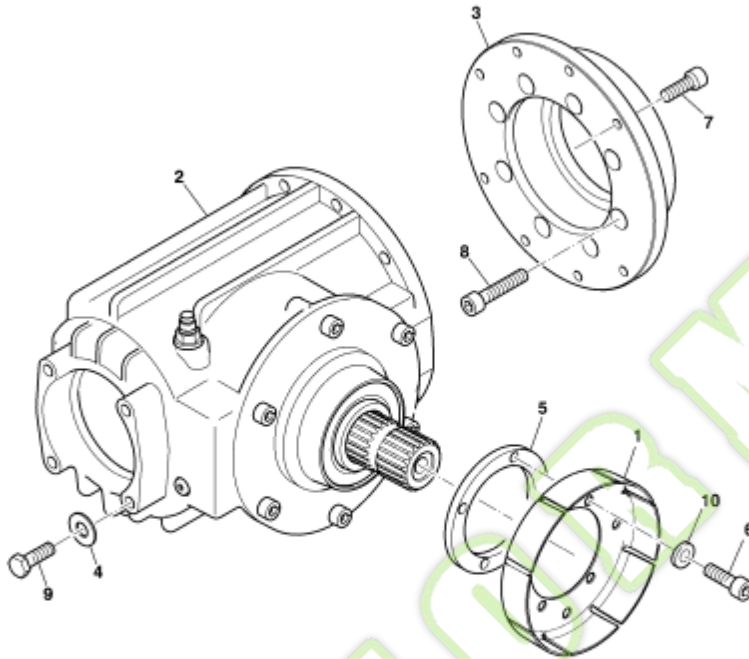
WWW.KORMO.BY

Catalog: 4711 | Grid: 0 | Section: 100 | Page: 16

Catalog Name: **360plus Rotary Harvesting Unit (European Edition)**

Page Name: **Drive for 8000 Series SPFH**

Direction of Travel:



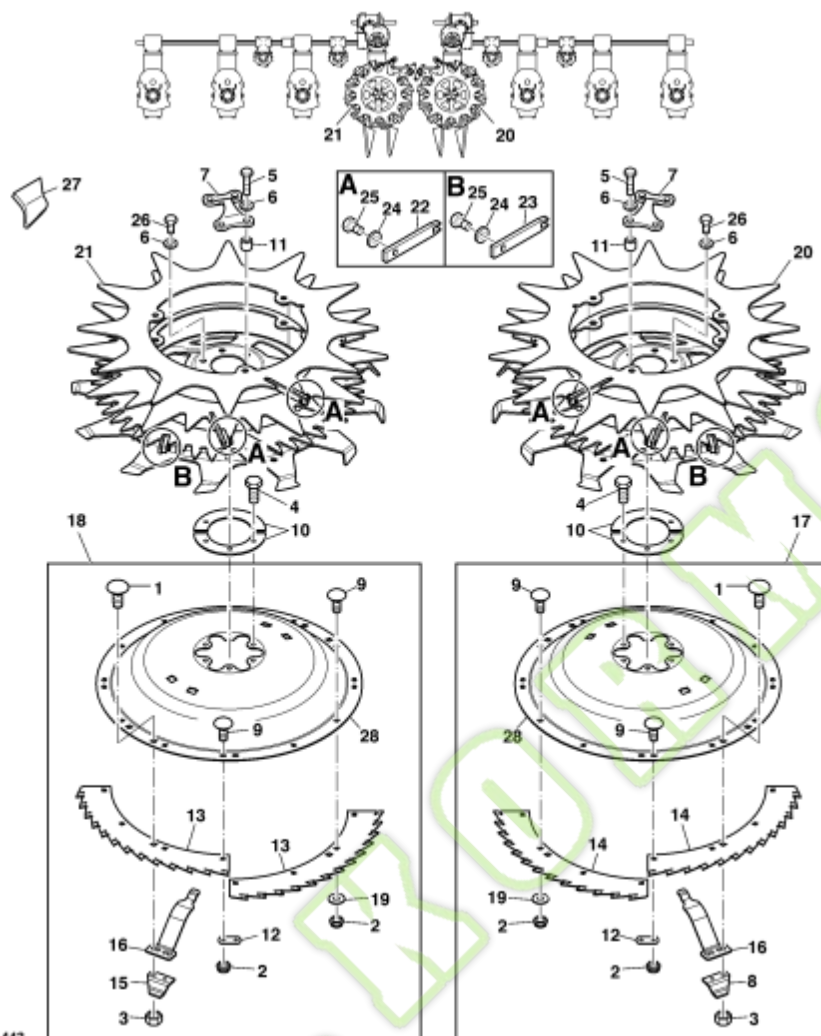
KM001528

| key | PART NO. | PART NAME | QTY | SERIAL NO. | REMARKS |
|-----|-----------|-------------------|-----|------------|-----------------------|
| 1 | LCA109529 | Adapter | 1 | | |
| 2 | LCA106290 | Transmission | 1 | | |
| 3 | LCA106289 | Flange | 1 | -131199 | |
| | LCA118084 | Flange | 1 | 131200- | |
| 4 | LCA72740 | Lock Washer | 3 | | |
| 5 | LCA109527 | Spacer | 1 | | |
| 6 | 19M7660 | Screw | 4 | | M8 X 20 |
| 7 | 19M9778 | Socket Head Screw | 8 | | M10 X 30 |
| 8 | 19M10343 | Socket Head Screw | 8 | | M10 X 55 |
| 9 | 19M7744 | Cap Screw | 3 | | M12 X 35 |
| key | PART NO. | PART NAME | QTY | SERIAL NO. | REMARKS |
| 10 | 24M7055 | Washer | 4 | | 8.400 X 16 X 1.600 mm |

Catalog: 4711 | Grid: 0 | Section: 100 | Page: 17

Catalog Name: **360plus Rotary Harvesting Unit (European Edition)**

Page Name: **Gatherer Drums - Knife Rotors - Center**

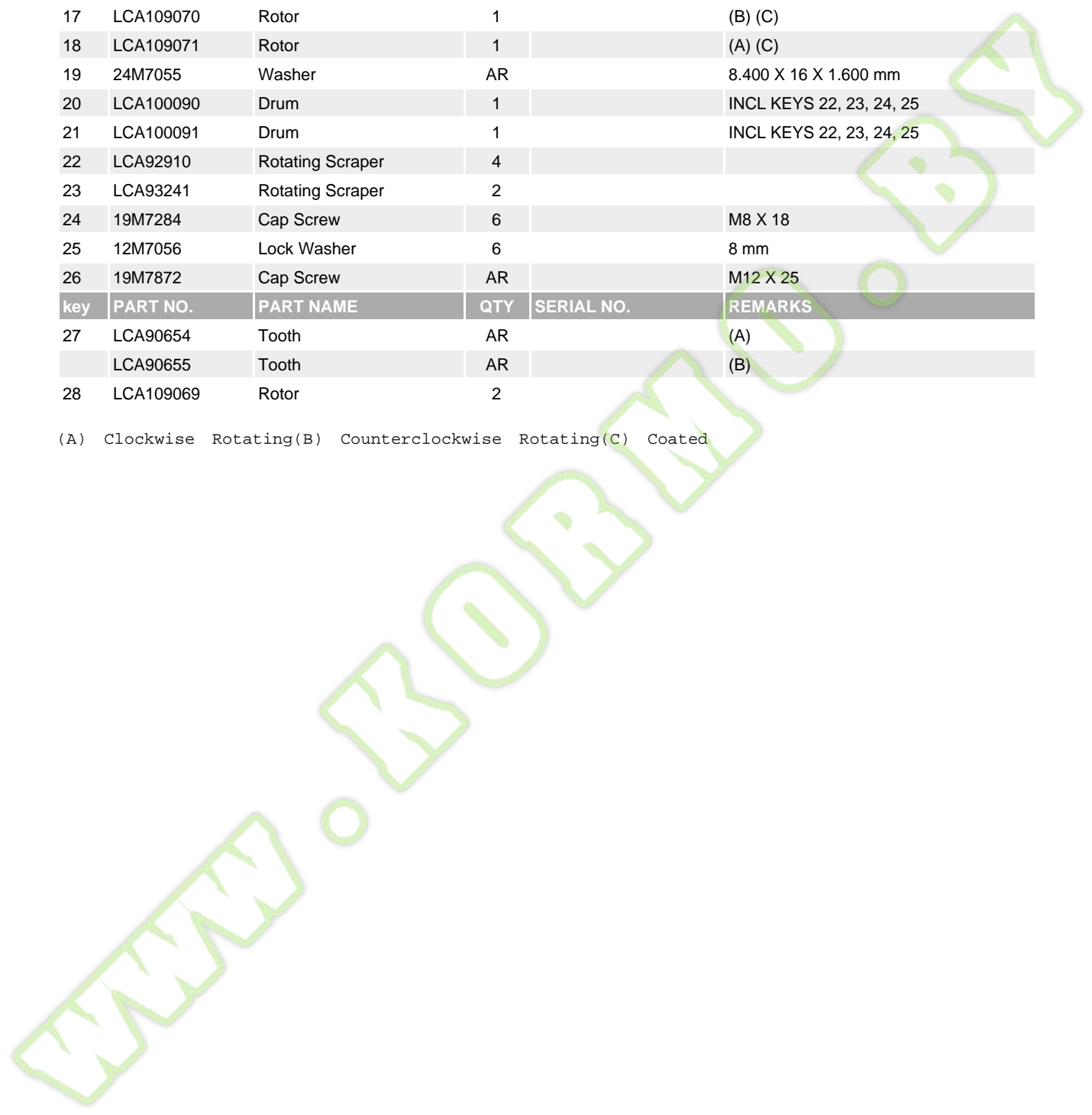


KM001443

| key | PART NO. | PART NAME | QTY | SERIAL NO. | REMARKS |
|-----|-----------|------------------|-----|------------|-------------------|
| 1 | LCA106698 | Bolt | AR | | M10x25 |
| | 03M7185 | Bolt | AR | | M8 X 25 |
| 2 | 14M7166 | Lock Nut | AR | | M8 |
| 3 | 14M7140 | Nut | AR | | M10 |
| | 14M7166 | Lock Nut | AR | | M8 |
| 4 | 19M8761 | Screw | 12 | | M10 X 22 |
| 5 | 19M7273 | Cap Screw | 8 | | M12 X 60 |
| 6 | LCA72740 | Lock Washer | AR | | |
| 7 | LCA98531 | Strap | 2 | | |
| 8 | LCA69805 | Rotating Scraper | 2 | | (A) |
| key | PART NO. | PART NAME | QTY | SERIAL NO. | REMARKS |
| 9 | LCA69947 | Screw | AR | | M8x16 |
| 10 | LCA107065 | Sheet | 4 | | |
| 11 | LCA59390 | Bushing | 8 | | |
| 12 | LCA76374 | Strap | 8 | | |
| 13 | LCA95959 | Knife | 2 | | (A) (C) PACKG (2) |

| 14 | LCA95958 | Knife | 2 | | (B) (C) PACKG (2) |
|-----|-----------|------------------|-----|---------------|--------------------------|
| 15 | LCA69806 | Rotating Scraper | 2 | | (B) |
| 16 | LCA98917 | Support | 4 | -117302 | |
| | LCA106339 | Support | 4 | 117303-124314 | |
| | LCA109068 | Rotating Scraper | 4 | 124315- | |
| key | PART NO. | PART NAME | QTY | SERIAL NO. | REMARKS |
| 17 | LCA109070 | Rotor | 1 | | (B) (C) |
| 18 | LCA109071 | Rotor | 1 | | (A) (C) |
| 19 | 24M7055 | Washer | AR | | 8.400 X 16 X 1.600 mm |
| 20 | LCA100090 | Drum | 1 | | INCL KEYS 22, 23, 24, 25 |
| 21 | LCA100091 | Drum | 1 | | INCL KEYS 22, 23, 24, 25 |
| 22 | LCA92910 | Rotating Scraper | 4 | | |
| 23 | LCA93241 | Rotating Scraper | 2 | | |
| 24 | 19M7284 | Cap Screw | 6 | | M8 X 18 |
| 25 | 12M7056 | Lock Washer | 6 | | 8 mm |
| 26 | 19M7872 | Cap Screw | AR | | M12 X 25 |
| key | PART NO. | PART NAME | QTY | SERIAL NO. | REMARKS |
| 27 | LCA90654 | Tooth | AR | | (A) |
| | LCA90655 | Tooth | AR | | (B) |
| 28 | LCA109069 | Rotor | 2 | | |

(A) Clockwise Rotating (B) Counterclockwise Rotating (C) Coated

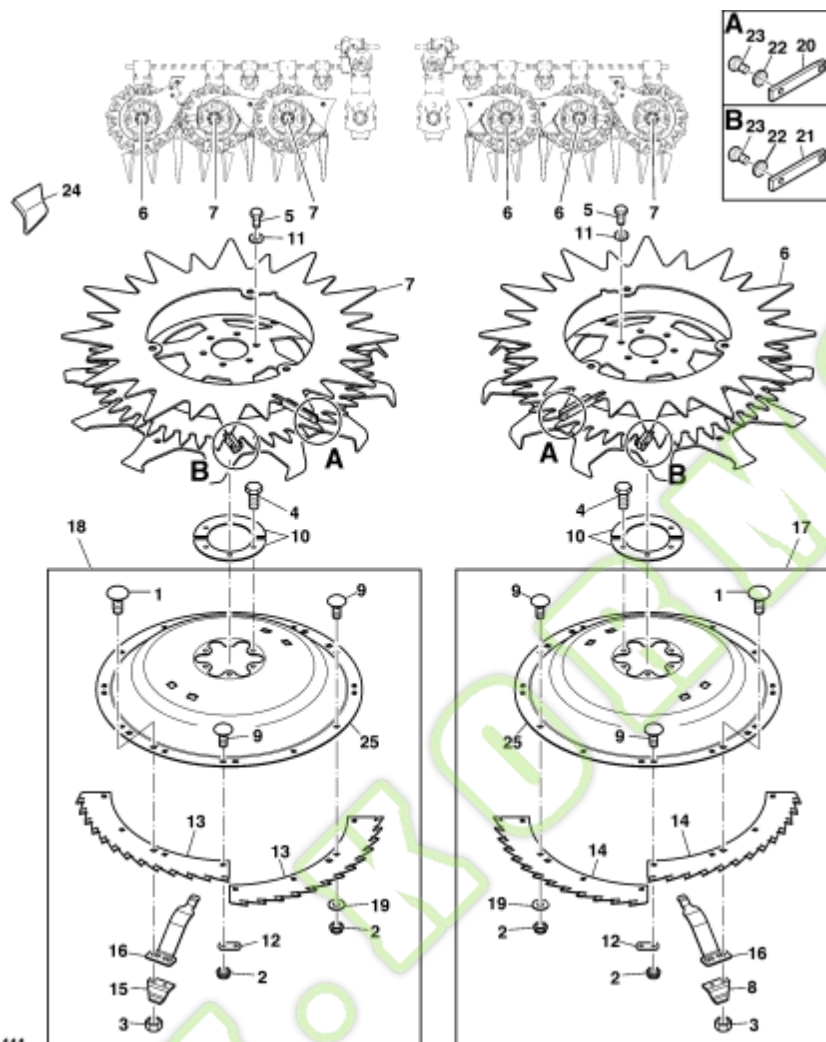


Catalog: 4711 | Grid: 0 | Section: 100 | Page: 18

Catalog Name: **360plus Rotary Harvesting Unit (European Edition)**

Page Name: **Gatherer Drums - Knife Rotors - Outer**

Direction of Travel:



KM001444

| key | PART NO. | PART NAME | QTY | SERIAL NO. | REMARKS |
|-----|-----------|------------------|-----|------------|--------------------------|
| 1 | LCA106698 | Bolt | AR | | M10x25 |
| | 03M7185 | Bolt | AR | | M8 X 25 |
| 2 | 14M7166 | Lock Nut | AR | | M8 |
| 3 | 14M7140 | Nut | AR | | M10 |
| | 14M7166 | Lock Nut | AR | | M8 |
| 4 | 19M8761 | Screw | AR | | M10 X 22 |
| 5 | 19M7872 | Cap Screw | AR | | M12 X 25 |
| 6 | LCA100100 | Drum | 3 | | INCL KEYS 20, 21, 22, 23 |
| 7 | LCA100101 | Drum | 3 | | INCL KEYS 20, 21, 22, 23 |
| 8 | LCA69805 | Rotating Scraper | 6 | | (A) |
| key | PART NO. | PART NAME | QTY | SERIAL NO. | REMARKS |
| 9 | LCA69947 | Screw | AR | | M8x16 |
| 10 | LCA107065 | Sheet | 12 | | |
| 11 | LCA72740 | Lock Washer | AR | | |

| 12 | LCA76374 | Strap | 24 | | |
|-----|-----------|------------------|-----|---------------|-----------------------|
| 13 | LCA95959 | Knife | 6 | | (A) (C) PACKG (2) |
| 14 | LCA95958 | Knife | 6 | | (B) (C) PACKG (2) |
| 15 | LCA69806 | Rotating Scraper | 6 | | (B) |
| 16 | LCA98917 | Support | 12 | -117302 | |
| | LCA106339 | Support | 12 | 117303-124314 | |
| | LCA109068 | Rotating Scraper | 12 | 124315- | |
| key | PART NO. | PART NAME | QTY | SERIAL NO. | REMARKS |
| 17 | LCA109070 | Rotor | 3 | | (B) (C) |
| 18 | LCA109071 | Rotor | 3 | | (A) (C) |
| 19 | 24M7055 | Washer | AR | | 8.400 X 16 X 1.600 mm |
| 20 | LCA92910 | Rotating Scraper | 6 | | |
| 21 | LCA93241 | Rotating Scraper | 6 | | |
| 22 | 12M7056 | Lock Washer | 12 | | 8 mm |
| 23 | 19M7284 | Cap Screw | 12 | | M8 X 18 |
| 24 | LCA90654 | Tooth | AR | | (A) |
| | LCA90655 | Tooth | AR | | (B) |
| 25 | LCA109069 | Rotor | 6 | | |

(A) Clockwise Rotating (B) Counterclockwise Rotating (C) Coated

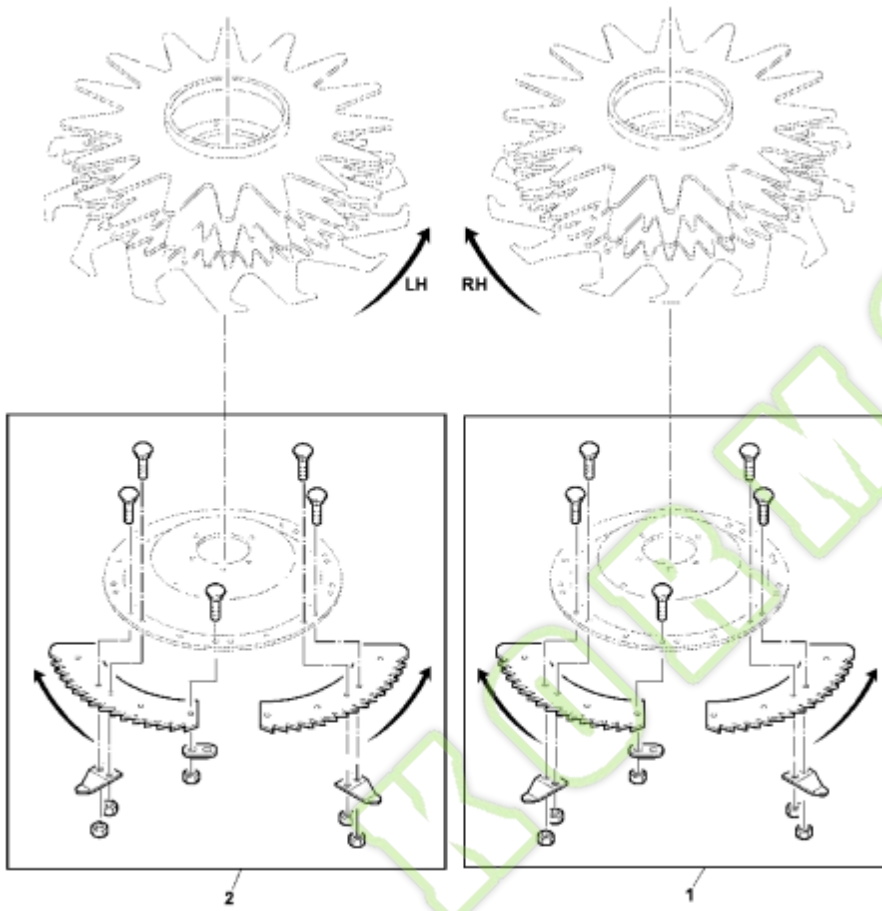
WWW.KORMO.BY

Catalog: 4711 | Grid: 0 | Section: 100 | Page: 19

Catalog Name: **360plus Rotary Harvesting Unit (European Edition)**

Page Name: **Knife Service Kit**

Direction of Travel:



KMD00684

| key | PART NO. | PART NAME | QTY | SERIAL NO. | REMARKS |
|-----|----------|-----------|-----|------------|---------|
| 1 | LCA79040 | Blade Kit | 1 | | (A) (C) |
| 2 | LCA78553 | Blade Kit | 1 | | (B) (C) |

(A) coated (B) uncoated

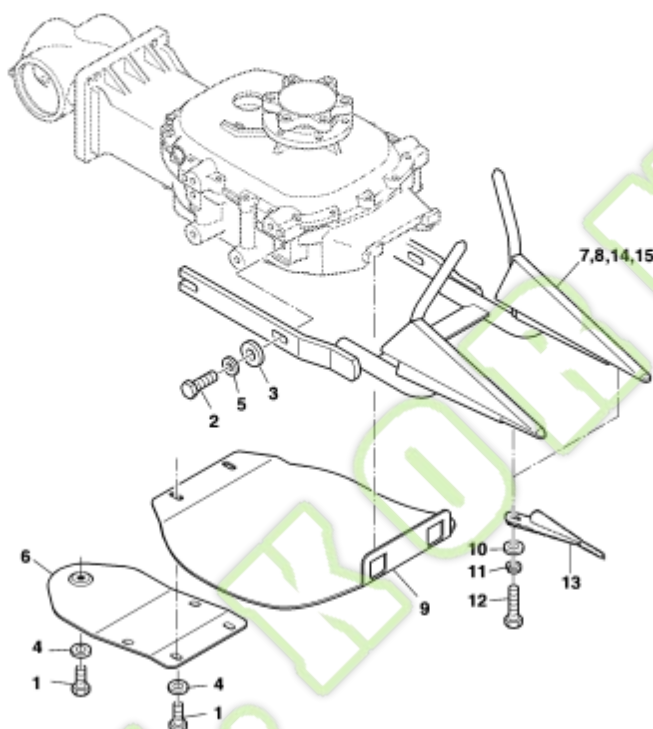
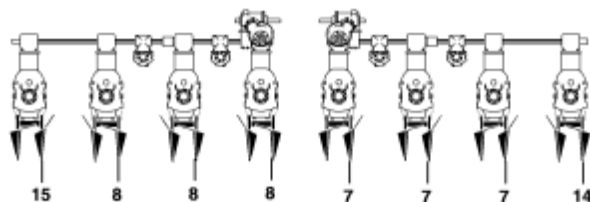
(C) One service kit is for two gatherer drums

Catalog: 4711 | Grid: 0 | Section: 100 | Page: 20

Catalog Name: **360plus Rotary Harvesting Unit (European Edition)**

Page Name: **Divider Points - Skids**

Direction of Travel:



KM001612

| key | PART NO. | PART NAME | QTY | SERIAL NO. | REMARKS |
|-----|-----------|----------------|-----|------------|--------------------|
| 1 | 19M7402 | Cap Screw | 24 | | M10 X 25 |
| 2 | 19M7403 | Cap Screw | 32 | | M12 X 35 |
| 3 | 24M7478 | Washer | 32 | | 13 X 30 X 6 mm |
| 4 | LCA71878 | Lock Washer | 24 | | |
| 5 | LCA72740 | Lock Washer | 32 | | |
| 6 | LCA94905 | Fender | 8 | | |
| 7 | LCA114421 | Gatherer Point | 3 | | |
| 8 | LCA114422 | Gatherer Point | 3 | | |
| 9 | LCA100120 | Skid Plate | 8 | | |
| 10 | 24M7028 | Washer | AR | | 10.500 X 20 X 2 mm |
| key | PART NO. | PART NAME | QTY | SERIAL NO. | REMARKS |
| 11 | 12M7066 | Lock Washer | AR | | 10 mm |
| 12 | 19M7662 | Cap Screw | AR | | M10 X 30 |
| 13 | LCA55964 | Gatherer Point | AR | | |

| | | | | | |
|----|-----------|----------------|---|--|--|
| 14 | LCA114583 | Gatherer Point | 1 | | |
| 15 | LCA114584 | Gatherer Point | 1 | | |

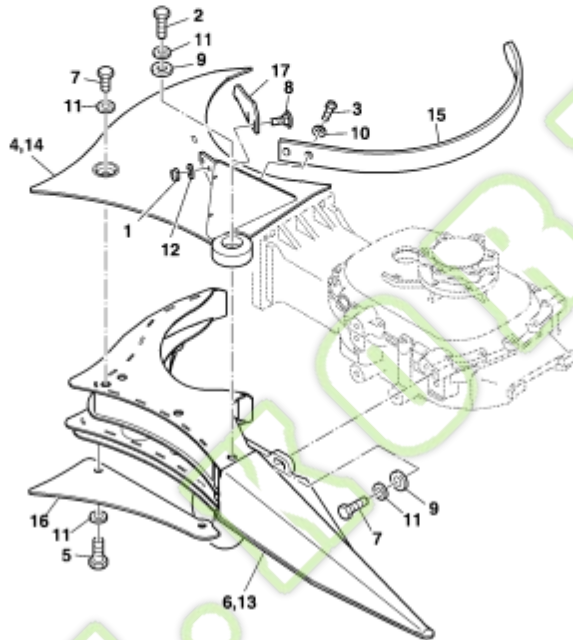
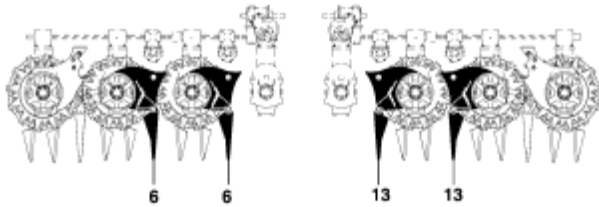
WWW.KORMO.BY

Catalog: 4711 | Grid: 0 | Section: 100 | Page: 21

Catalog Name: **360plus Rotary Harvesting Unit (European Edition)**

Page Name: **Scraper - Inner (- 128922)**

Direction of Travel:



KM000858

| key | PART NO. | PART NAME | QTY | SERIAL NO. | REMARKS |
|-----|----------|-------------|-----|------------|----------------|
| 1 | 14M7166 | Lock Nut | AR | | M8 |
| 2 | 19M8313 | Cap Screw | AR | | M12 X 55 |
| 3 | 19M7402 | Cap Screw | AR | | M10 X 25 |
| 4 | LCA95734 | Shield | 2 | | RH |
| 5 | 19M8017 | Cap Screw | AR | | M12 X 20 |
| 6 | LCA92695 | Stripper | 2 | | RH |
| 7 | 19M7403 | Cap Screw | AR | | M12 X 35 |
| 8 | 03M7187 | Bolt | AR | | M8 X 35 |
| 9 | 24M7478 | Washer | AR | | 13 X 30 X 6 mm |
| 10 | LCA71878 | Lock Washer | AR | | |
| key | PART NO. | PART NAME | QTY | SERIAL NO. | REMARKS |
| 11 | LCA72740 | Lock Washer | AR | | |
| 12 | LCA84221 | Lock Washer | AR | | |
| 13 | LCA92694 | Stripper | 2 | | LH |

| | | | | | |
|----|-----------|----------|---|--|----|
| 14 | LCA95733 | Shield | 2 | | LH |
| 15 | LCA98362 | Arch | 4 | | |
| 16 | LCA107111 | Sheet | 4 | | |
| 17 | LCA98382 | Stripper | 4 | | |

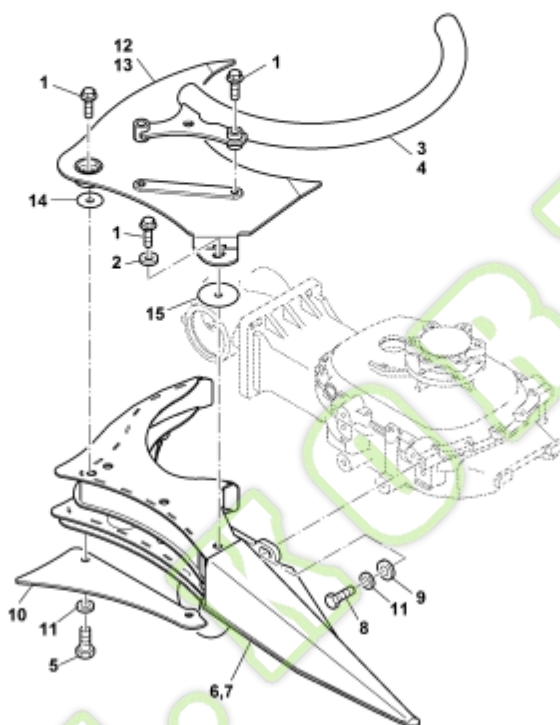
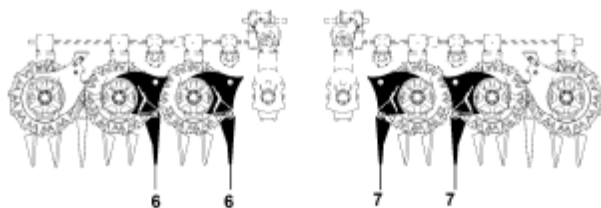
WWW.KORMO.BY

Catalog: 4711 | Grid: 0 | Section: 100 | Page: 22

Catalog Name: **360plus Rotary Harvesting Unit (European Edition)**

Page Name: **Scraper - Inner (128923 -)**

Direction of Travel:



KM001683

| key | PART NO. | PART NAME | QTY | SERIAL NO. | REMARKS |
|-----|-----------|-------------|-----|------------|----------------|
| 1 | 19M9572 | Screw | AR | | M12 X 40 |
| 2 | 24M7478 | Washer | AR | | 13 X 30 X 6 mm |
| 3 | LCA114604 | Tube | 2 | | LH |
| 4 | LCA114605 | Tube | 2 | | RH |
| 5 | 19M8017 | Cap Screw | AR | | M12 X 20 |
| 6 | LCA92695 | Stripper | 2 | | RH |
| 7 | LCA92694 | Stripper | 2 | | LH |
| 8 | 19M7744 | Cap Screw | AR | | M12 X 35 |
| 9 | 24M7478 | Washer | AR | | 13 X 30 X 6 mm |
| 10 | LCA107111 | Sheet | 4 | | |
| key | PART NO. | PART NAME | QTY | SERIAL NO. | REMARKS |
| 11 | LCA72740 | Lock Washer | AR | | |
| 12 | LCA114602 | Sheet | 2 | | LH |
| 13 | LCA114603 | Sheet | 2 | | RH |

| | | | | | |
|----|-----------|-------------|----|---------|--|
| 14 | LCA106166 | Washer | AR | | |
| 15 | LCA106165 | Washer | AR | | |
| .. | LCA115181 | Adapter Kit | 2 | -128922 | |
| .. | LCA115182 | Adapter Kit | 1 | -128922 | |

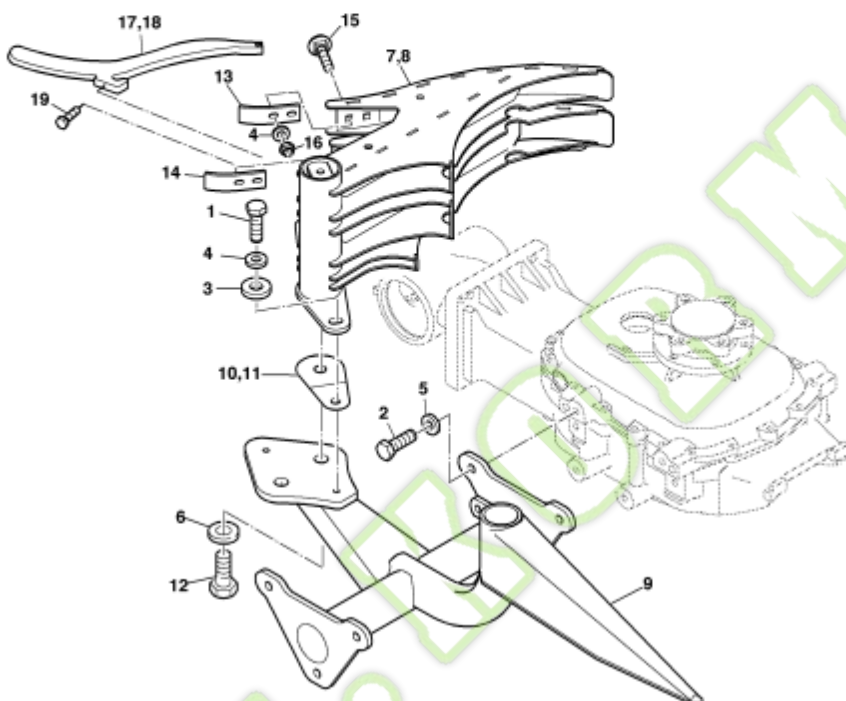
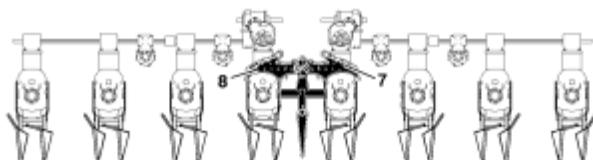
WWW.KORMO.BY

Catalog: 4711 | Grid: 0 | Section: 100 | Page: 23

Catalog Name: **360plus Rotary Harvesting Unit (European Edition)**

Page Name: **Scraper - Center (- 122138)**

Direction of Travel:



KM000984

| key | PART NO. | PART NAME | QTY | SERIAL NO. | REMARKS |
|-----|-----------|-------------|-----|------------|----------------|
| 1 | 19M7662 | Cap Screw | 2 | | M10 X 30 |
| 2 | 19M8011 | Cap Screw | 6 | | M12 X 30 |
| 3 | 24M7101 | Washer | 2 | | 11 X 34 X 3 mm |
| 4 | LCA71878 | Lock Washer | 10 | | |
| 5 | LCA72740 | Lock Washer | 6 | | |
| 6 | LCA89595 | Lock Washer | 2 | | |
| 7 | LCA92690 | Stripper | 1 | | LH |
| 8 | LCA92691 | Stripper | 1 | | RH |
| 9 | LCA97929 | Flange | 1 | | |
| 10 | LCA97959 | Solid Shim | AR | | |
| key | PART NO. | PART NAME | QTY | SERIAL NO. | REMARKS |
| 11 | LCA97960 | Solid Shim | AR | | |
| 12 | 19M7488 | Cap Screw | 2 | | M16 X 40 |
| 13 | LCA104957 | Stripper | 2 | | |

| | | | | | |
|----|-----------|-----------|---|--|----------|
| 14 | LCA104956 | Stripper | 2 | | |
| 15 | 03M7191 | Bolt | 8 | | M10 X 25 |
| 16 | 14M7167 | Lock Nut | 8 | | M10 |
| 17 | LCA104745 | Sheet | 1 | | LH |
| 18 | LCA104746 | Sheet | 1 | | RH |
| 19 | 19M7550 | Cap Screw | 2 | | M10 X 35 |

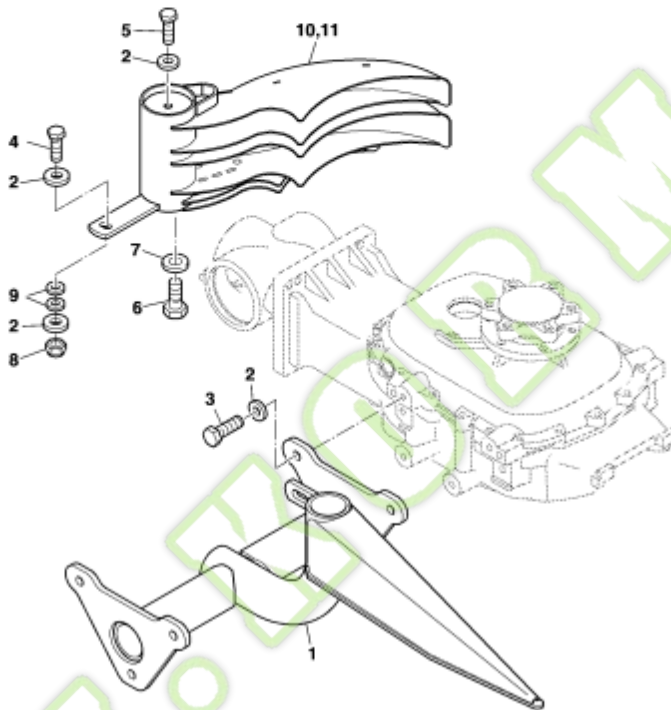
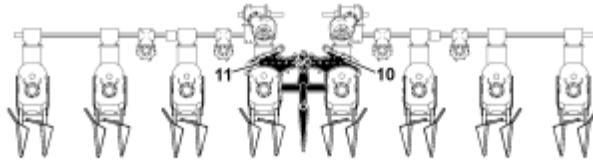
WWW.KORMO.BY

Catalog: 4711 | Grid: 0 | Section: 100 | Page: 24

Catalog Name: **360plus Rotary Harvesting Unit (European Edition)**

Page Name: **Scraper - Center (122139 -)**

Direction of Travel:



KM001151

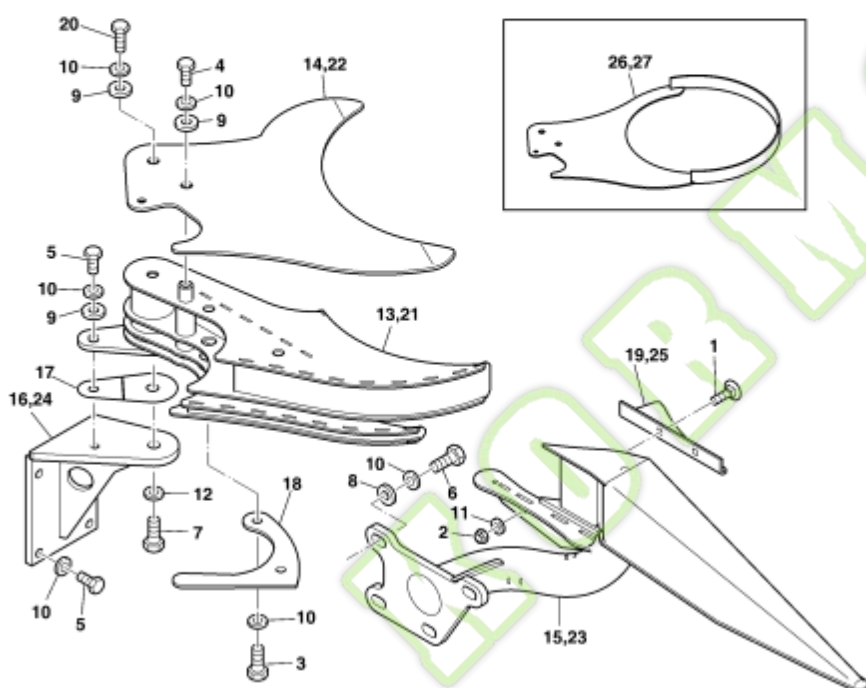
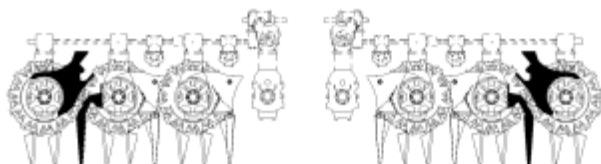
| key | PART NO. | PART NAME | QTY | SERIAL NO. | REMARKS |
|-----|-----------|-------------|-----|------------|----------------|
| 1 | LCA107917 | Flange | 1 | | |
| 2 | LCA72740 | Lock Washer | AR | | |
| 3 | 19M8011 | Cap Screw | 6 | | M12 X 30 |
| 4 | 19M7493 | Cap Screw | 2 | | M12 X 40 |
| 5 | 19M7872 | Cap Screw | 2 | | M12 X 25 |
| 6 | 19M7488 | Cap Screw | 2 | | M16 X 40 |
| 7 | LCA89595 | Lock Washer | 2 | | |
| 8 | 14M7168 | Lock Nut | 2 | | M12 |
| 9 | 24M7180 | Washer | 4 | | 13 X 37 X 3 mm |
| 10 | LCA107002 | Scraper | 1 | | LH |
| key | PART NO. | PART NAME | QTY | SERIAL NO. | REMARKS |
| 11 | LCA107003 | Scraper | 1 | | RH |

Catalog: 4711 | Grid: 0 | Section: 100 | Page: 25

Catalog Name: **360plus Rotary Harvesting Unit (European Edition)**

Page Name: **Scraper - Outer**

Direction of Travel:



KM001783

| key | PART NO. | PART NAME | QTY | SERIAL NO. | REMARKS |
|-----|----------|-------------|-----|------------|----------------|
| 1 | 03M7184 | Bolt | 4 | | M8 X 20 |
| 2 | 14M7166 | Lock Nut | 4 | | M8 |
| 3 | 19M8017 | Cap Screw | 4 | | M12 X 20 |
| 4 | 19M7872 | Cap Screw | AR | | M12 X 25 |
| 5 | 19M8011 | Cap Screw | 10 | | M12 X 30 |
| 6 | 19M7403 | Cap Screw | AR | | M12 X 35 |
| 7 | 19M7397 | Cap Screw | 2 | | M16 X 50 |
| 8 | 24M7478 | Washer | AR | | 13 X 30 X 6 mm |
| 9 | 24M7180 | Washer | AR | | 13 X 37 X 3 mm |
| 10 | LCA72740 | Lock Washer | AR | | |
| key | PART NO. | PART NAME | QTY | SERIAL NO. | REMARKS |
| 11 | LCA84221 | Lock Washer | AR | | |
| 12 | LCA89595 | Lock Washer | 2 | | |
| 13 | LCA92696 | Stripper | 1 | | LH |

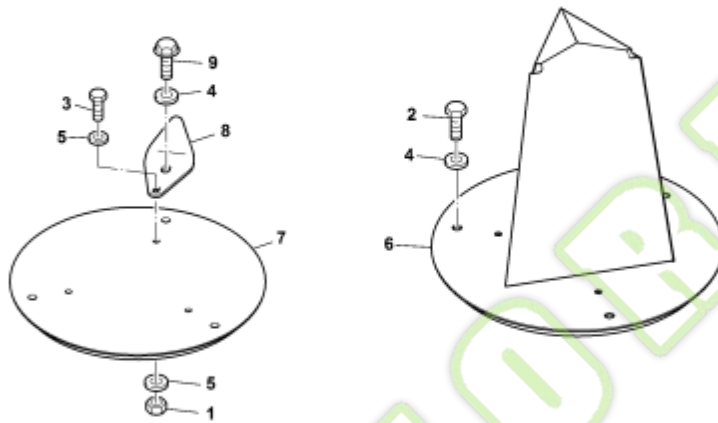
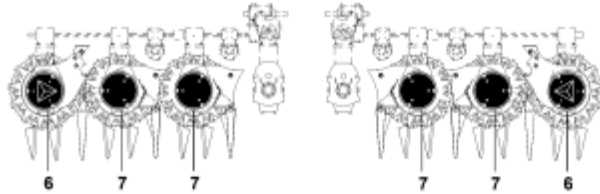
| | | | | | |
|------------|-----------------|------------------|------------|-------------------|----------------|
| 14 | LCA114059 | Sheet | 1 | 128923- | LH |
| 15 | LCA95721 | Gatherer Point | 1 | | LH |
| 16 | LCA95725 | Support | 1 | | LH |
| 17 | LCA97959 | Solid Shim | AR | | TK = 1, 0 mm |
| | LCA97960 | Solid Shim | AR | | TK = 0, 5 mm |
| 18 | LCA98398 | Guide | 2 | | |
| 19 | LCA98914 | Guide | 1 | | LH |
| key | PART NO. | PART NAME | QTY | SERIAL NO. | REMARKS |
| 20 | 19M7361 | Cap Screw | 2 | | M12 X 50 |
| 21 | LCA92697 | Stripper | 1 | | RH |
| 22 | LCA114060 | Sheet | 1 | 128923- | RH |
| 23 | LCA95722 | Gatherer Point | 1 | | RH |
| 24 | LCA95726 | Support | 1 | | RH |
| 25 | LCA98915 | Guide | 1 | | RH |
| 26 | LCA93690 | Shield | 1 | -128922 | LH |
| 27 | LCA93691 | Shield | 1 | -128922 | RH |

Catalog: 4711 | Grid: 0 | Section: 100 | Page: 26

Catalog Name: **360plus Rotary Harvesting Unit (European Edition)**

Page Name: **Scraper - Drum Cover**

Direction of Travel:



KM001679

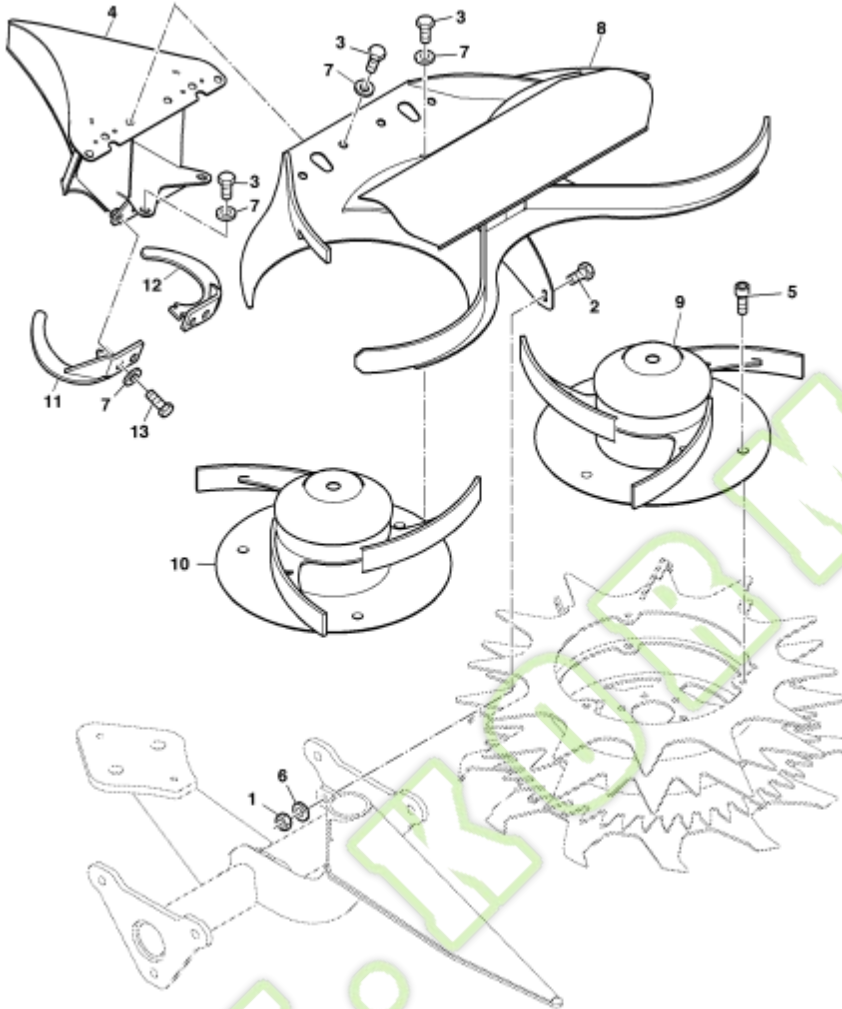
| key | PART NO. | PART NAME | QTY | SERIAL NO. | REMARKS |
|-----|-----------|------------------|-----|------------|----------|
| 1 | 14M7166 | Lock Nut | 12 | | M8 |
| 2 | 19M7496 | Cap Screw | 6 | | M12 X 45 |
| 3 | 19M7139 | Cap Screw | 12 | | M8 X 20 |
| 4 | LCA72740 | Lock Washer | 24 | | |
| 5 | LCA84221 | Lock Washer | 30 | | |
| 6 | LCA92898 | Bracket | 2 | | |
| 7 | LCA92908 | Shield | 4 | | |
| 8 | LCA93623 | Rotating Scraper | 12 | -128922 | |
| | LCA114591 | Rotating Scraper | 12 | 128923- | |
| 9 | 19M9572 | Screw | 12 | | M12 X 40 |

Catalog: 4711 | Grid: 0 | Section: 100 | Page: 27

Catalog Name: **360plus Rotary Harvesting Unit (European Edition)**

Page Name: **Center Cover And Spiral Conveyor (- 122138)**

Direction of Travel:



KM000820

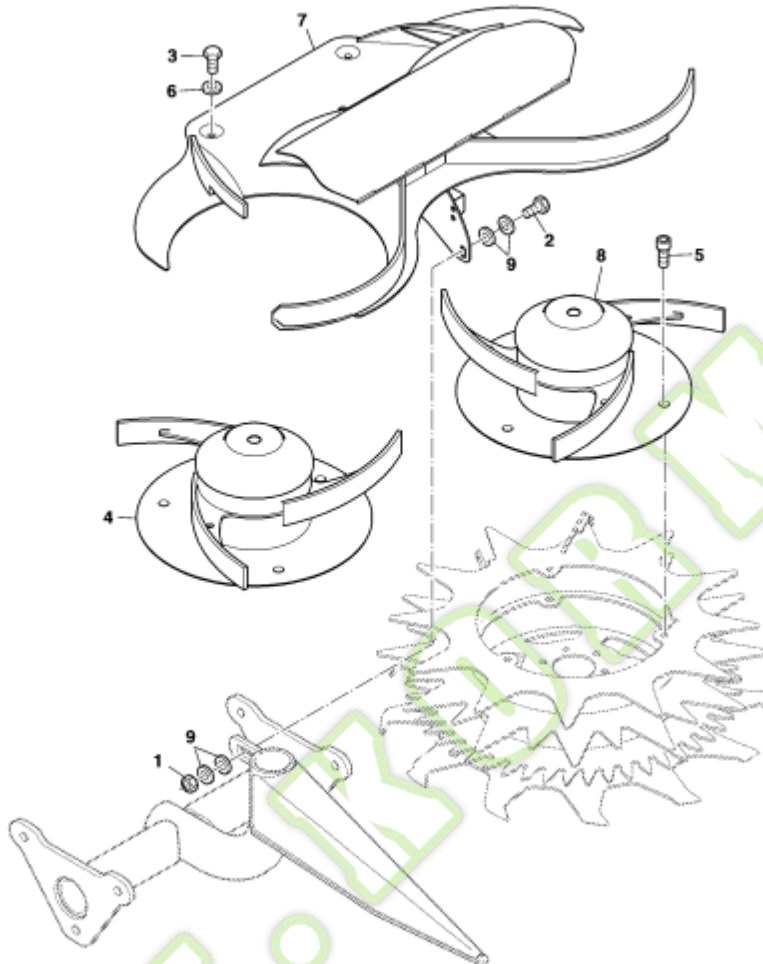
| key | PART NO. | PART NAME | QTY | SERIAL NO. | REMARKS |
|-----|-----------|-------------|-----|------------|----------------------|
| 1 | 14M7167 | Lock Nut | 1 | | M10 |
| 2 | 19M7402 | Cap Screw | 1 | | M10 X 25 |
| 3 | 19M7872 | Cap Screw | 6 | | M12 X 25 |
| 4 | LCA97933 | Bracket | 1 | | Incl. Key 7,11,12,13 |
| 5 | 19M8169 | Screw | 6 | | M12 X 30 |
| 6 | LCA71878 | Lock Washer | 1 | | |
| 7 | LCA72740 | Lock Washer | 10 | | |
| 8 | LCA92915 | Cover | 1 | | |
| 9 | LCA95816 | Auger | 1 | | LH |
| 10 | LCA95817 | Auger | 1 | | RH |
| key | PART NO. | PART NAME | QTY | SERIAL NO. | REMARKS |
| 11 | LCA104942 | Sheet | 1 | | RH |
| 12 | LCA104941 | Sheet | 1 | | LH |
| 13 | 19M8011 | Cap Screw | 4 | | M12 X 30 |

Catalog: 4711 | Grid: 0 | Section: 100 | Page: 28

Catalog Name: **360plus Rotary Harvesting Unit (European Edition)**

Page Name: **Center Cover And Spiral Conveyor (122139 -)**

Direction of Travel:



KM001129

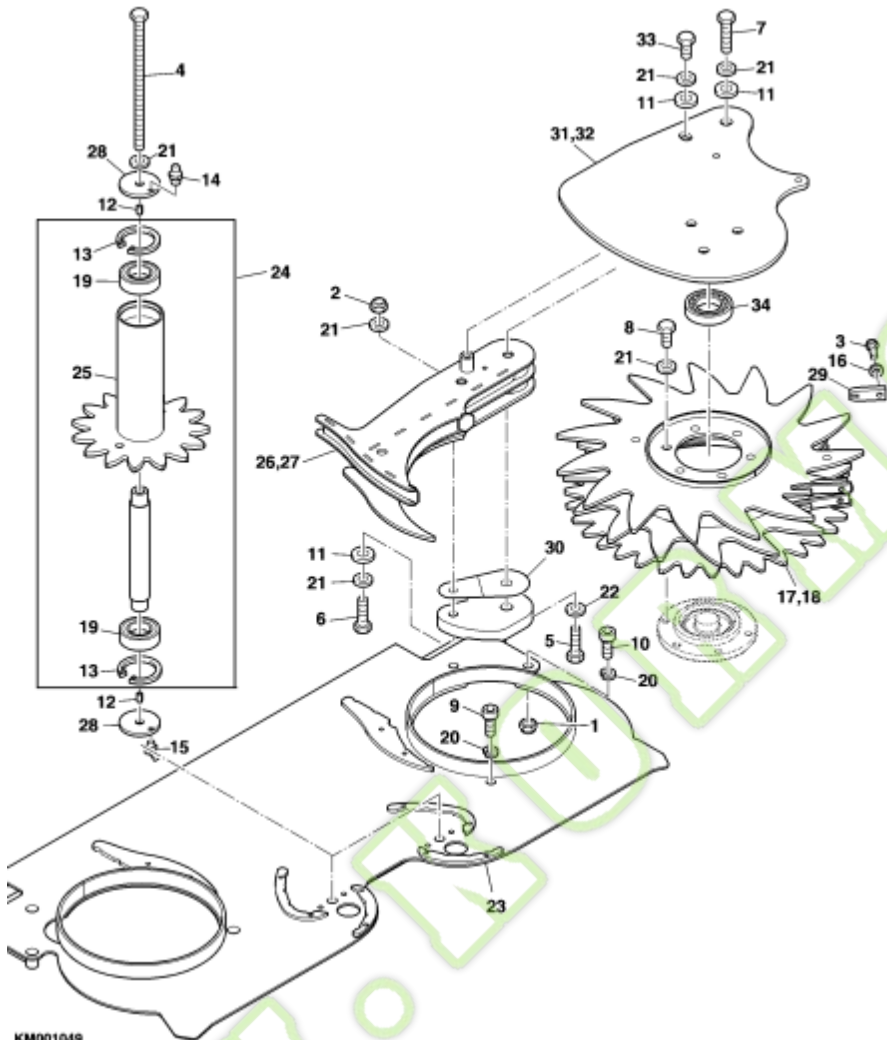
| key | PART NO. | PART NAME | QTY | SERIAL NO. | REMARKS |
|-----|-----------|-------------|-----|------------|----------------|
| 1 | 14M7168 | Lock Nut | 1 | | M12 |
| 2 | 19M7493 | Cap Screw | 1 | | M12 X 40 |
| 3 | 19M7872 | Cap Screw | 2 | | M12 X 25 |
| 4 | LCA95817 | Auger | 1 | | |
| 5 | 19M8169 | Screw | 6 | | M12 X 30 |
| 6 | LCA72740 | Lock Washer | 2 | | |
| 7 | LCA107623 | Cover | 1 | | |
| 8 | LCA95816 | Auger | 1 | | |
| 9 | 24M7180 | Washer | 4 | | 13 X 37 X 3 mm |

Catalog: 4711 | Grid: 0 | Section: 100 | Page: 29

Catalog Name: **360plus Rotary Harvesting Unit (European Edition)**

Page Name: **Feed Drum (- 122138)**

Direction of Travel:



KM001049

| key | PART NO. | PART NAME | QTY | SERIAL NO. | REMARKS |
|-----|----------|-----------|-----|------------|----------------|
| 1 | 14M7166 | Lock Nut | 4 | | M8 |
| 2 | 14M7168 | Lock Nut | 2 | | M12 |
| 3 | 19M7284 | Cap Screw | 4 | | M8 X 18 |
| 4 | 19M10247 | Cap Screw | 2 | | M12 X 250 |
| 5 | 19M7489 | Cap Screw | 2 | | M16 X 45 |
| 6 | 19M7361 | Cap Screw | 2 | | M12 X 50 |
| 7 | 19M7330 | Cap Screw | 2 | | M12 X 55 |
| 8 | 19M7872 | Cap Screw | 12 | | M12 X 25 |
| 9 | 19M8735 | Screw | 2 | | M8 X 30 |
| 10 | 19M8123 | Screw | 4 | | M8 X 45 |
| key | PART NO. | PART NAME | QTY | SERIAL NO. | REMARKS |
| 11 | 24M7180 | Washer | 6 | | 13 X 37 X 3 mm |
| 12 | LCA49988 | Bushing | 4 | | |
| 13 | 40M7043 | Snap Ring | 4 | | |

| 14 | 58M5574 | Lubrication Fitting | 2 | | |
|-----|-----------|---------------------|-----|------------|---------------------|
| 15 | 58M5577 | Lubrication Fitting | 2 | | |
| 16 | 12M7056 | Lock Washer | 4 | | 8 mm |
| 17 | LCA100070 | Drum | 1 | | INCL. KEY 3, 16, 29 |
| 18 | LCA100071 | Drum | 1 | | INCL. KEY 3, 16, 29 |
| 19 | JD30050 | Ball Bearing | 4 | | |
| 20 | 12M7072 | Lock Washer | 6 | | 8.400 mm |
| key | PART NO. | PART NAME | QTY | SERIAL NO. | REMARKS |
| 21 | LCA72740 | Lock Washer | AR | | |
| 22 | LCA89595 | Lock Washer | 2 | | |
| 23 | LCA92891 | Bottom | 1 | | |
| 24 | LCA92906 | Drum | 2 | | |
| 25 | LCA92905 | Drum | 2 | | |
| 26 | LCA93279 | Stripper | 1 | | LH |
| 27 | LCA93280 | Stripper | 1 | | RH |
| 28 | LCA93711 | Washer | 4 | | |
| 29 | LCA97955 | Rotating Scraper | 4 | | |
| 30 | LCA97959 | Solid Shim | AR | | TK = 1,0 mm |
| key | PART NO. | PART NAME | QTY | SERIAL NO. | REMARKS |
| | LCA97960 | Solid Shim | AR | | TK = 0,5 mm |
| 31 | LCA97952 | Shield | 1 | | LH |
| 32 | LCA97953 | Shield | 1 | | RH |
| 33 | 19M8011 | Cap Screw | 2 | | M12 X 30 |
| 34 | JD9323 | Ball Bearing | 2 | | |

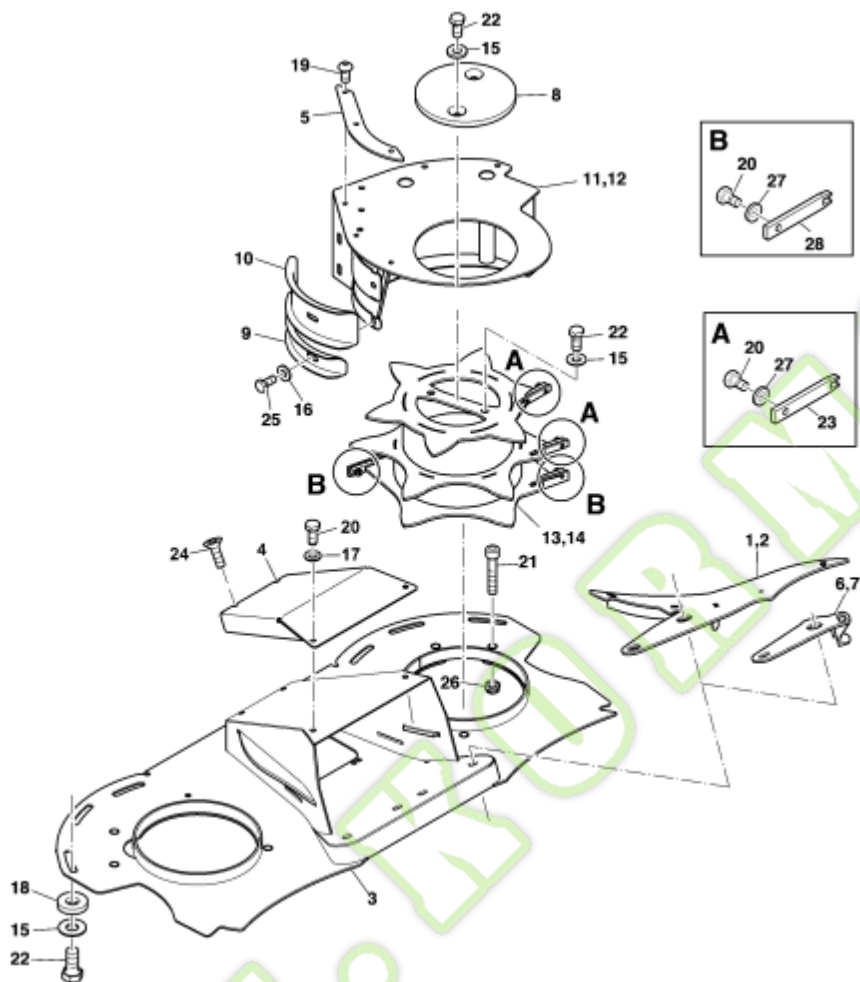
WWW.KORMO.BY

Catalog: 4711 | Grid: 0 | Section: 100 | Page: 30

Catalog Name: **360plus Rotary Harvesting Unit (European Edition)**

Page Name: **Feed Drum (122139 - 126952)**

Direction of Travel:



KM001439

| key | PART NO. | PART NAME | QTY | SERIAL NO. | REMARKS |
|-----|-----------|-----------|-----|------------|---|
| 1 | LCA109277 | Stripper | 1 | | RH |
| 2 | LCA109276 | Stripper | 1 | | LH |
| 3 | LCA109270 | Bottom | 1 | | |
| 4 | LCA109200 | Sheet | 1 | | |
| 5 | LCA109199 | Sheet | 2 | | |
| 6 | | Stripper | 1 | | NSEP |
| 7 | | Stripper | 1 | | NSEP |
| 8 | LCA114071 | Cover | 2 | | |
| 9 | LCA109156 | Sheet | 2 | | |
| 10 | LCA109155 | Sheet | 2 | | |
| key | PART NO. | PART NAME | QTY | SERIAL NO. | REMARKS |
| 11 | | Stripper | 1 | | NSEP, ORDER LCA114432 |
| 12 | | Stripper | 1 | | NSEP, ORDER LCA114432 |
| 13 | LCA110912 | Drum | 1 | | RH , INCL. KEY 20, 23, 27 , SUB FOR LCA109127 |

| | | | | | |
|-----|-----------|------------------|-----|------------|---|
| 14 | LCA110911 | Drum | 1 | | LH , INCL. KEY 20, 23, 27 , SUB FOR LCA109126 |
| 15 | LCA72740 | Lock Washer | AR | | |
| 16 | LCA71878 | Lock Washer | AR | | |
| 17 | LCA84221 | Lock Washer | 2 | | |
| 18 | 24M7478 | Washer | 6 | | 13 X 30 X 6 mm |
| 19 | 21M7593 | Screw | 6 | | M8 X 10 |
| 20 | 19M7284 | Cap Screw | AR | | M8 X 18 |
| key | PART NO. | PART NAME | QTY | SERIAL NO. | REMARKS |
| 21 | 19M8123 | Screw | 6 | | M8 X 45 |
| 22 | 19M7872 | Cap Screw | AR | | M12 X 25 |
| 23 | LCA97955 | Rotating Scraper | 4 | | |
| 24 | 19M8818 | Screw | 2 | | M8 X 60 |
| 25 | 19M7938 | Cap Screw | 8 | | M10 X 20 |
| 26 | 14M7166 | Lock Nut | 4 | | M8 |
| 27 | 12M7056 | Lock Washer | AR | | 8 mm |
| 28 | LCA109129 | Rotating Scraper | 4 | | |
| .. | LCA114432 | Adapter Kit | 1 | | |
| .. | LCA113115 | Adapter Kit | 1 | | |

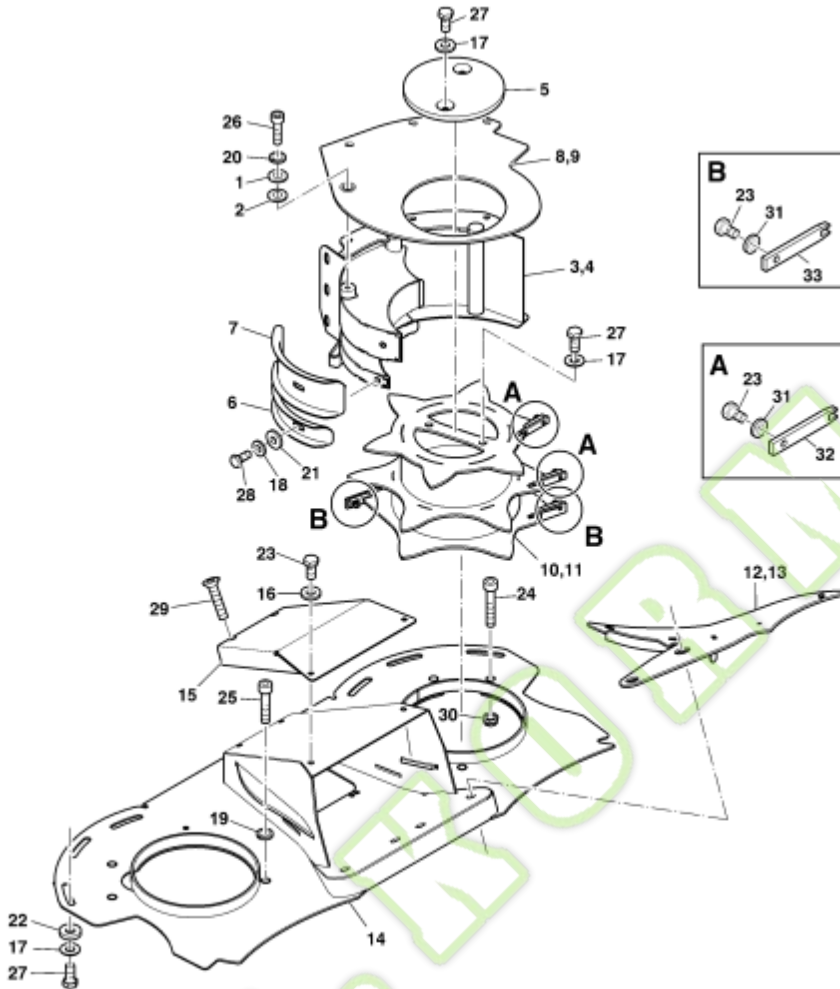
WWW.KORMO.BY

Catalog: 4711 | Grid: 0 | Section: 100 | Page: 31

Catalog Name: **360plus Rotary Harvesting Unit (European Edition)**

Page Name: **Feed Drum (126953 -)**

Direction of Travel:



KM001572

| key | PART NO. | PART NAME | QTY | SERIAL NO. | REMARKS |
|-----|-----------|-----------|-----|------------|-----------------------------|
| 1 | LCA115197 | Shim | 4 | | |
| 2 | LCA115196 | Washer | 2 | | |
| 3 | LCA114078 | Stripper | 1 | | RH |
| 4 | LCA114077 | Stripper | 1 | | LH |
| 5 | LCA114071 | Cover | 2 | | |
| 6 | LCA113234 | Sheet | 2 | | |
| 7 | LCA113233 | Sheet | 2 | | |
| 8 | LCA113232 | Cover | 1 | | RH |
| 9 | LCA113231 | Cover | 1 | | LH |
| 10 | LCA110912 | Drum | 1 | | RH, INCL KEY 23, 31, 32, 33 |
| key | PART NO. | PART NAME | QTY | SERIAL NO. | REMARKS |
| 11 | LCA110911 | Drum | 1 | | LH, INCL KEY 23, 31, 32, 33 |
| 12 | LCA109277 | Stripper | 1 | | RH |
| 13 | LCA109276 | Stripper | 1 | | LH |

| | | | | | |
|------------|-----------------|------------------|------------|-------------------|------------------------|
| 14 | LCA113396 | Bottom | 1 | | |
| 15 | LCA109200 | Sheet | 1 | | |
| 16 | LCA84221 | Lock Washer | 2 | | |
| 17 | LCA72740 | Lock Washer | 22 | | |
| 18 | LCA71878 | Lock Washer | 8 | | |
| 19 | 12M7072 | Lock Washer | 2 | | 8.400 mm |
| 20 | 12M7061 | Lock Washer | 2 | | 10.500 mm |
| key | PART NO. | PART NAME | QTY | SERIAL NO. | REMARKS |
| 21 | 24M7178 | Washer | 8 | | 10.500 X 30 X 2.500 mm |
| 22 | 24M7478 | Washer | 6 | | 13 X 30 X 6 mm |
| 23 | 19M7284 | Cap Screw | 10 | | M8 X 18 |
| 24 | 19M9741 | Screw | 4 | | M8 X 45 |
| 25 | 19M8735 | Screw | 2 | | M8 X 30 |
| 26 | 19M7695 | Screw | 2 | | M10 X 20 |
| 27 | 19M7872 | Cap Screw | 22 | | M12 X 25 |
| 28 | 19M7938 | Cap Screw | 8 | | M10 X 20 |
| 29 | 19M8818 | Screw | 2 | | M8 X 60 |
| 30 | 14M7166 | Lock Nut | 4 | | M8 |
| key | PART NO. | PART NAME | QTY | SERIAL NO. | REMARKS |
| 31 | 12M7056 | Lock Washer | 8 | | 8 mm |
| 32 | LCA97955 | Rotating Scraper | 4 | | |
| 33 | LCA109129 | Rotating Scraper | 4 | | |

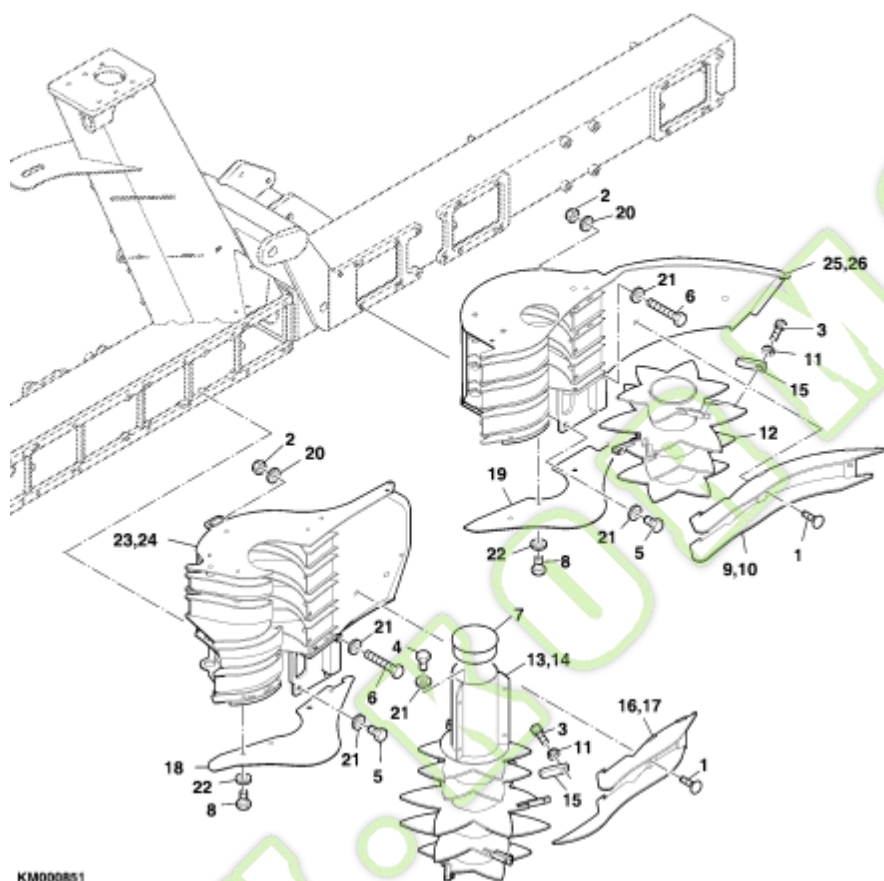
WWW.KORMO.BY

Catalog: 4711 | Grid: 0 | Section: 100 | Page: 32

Catalog Name: **360plus Rotary Harvesting Unit (European Edition)**

Page Name: **Cross Feed Drum And Outer Cover (- 122138)**

Direction of Travel:



KM000851

| key | PART NO. | PART NAME | QTY | SERIAL NO. | REMARKS |
|-----|-----------|-------------|-----|------------|-----------------------|
| 1 | 03M7017 | Bolt | AR | | M10 X 25 |
| | 03M7192 | Bolt | 2 | | M10 X 30 |
| 2 | 14M7167 | Lock Nut | AR | | M10 |
| 3 | 19M7284 | Cap Screw | AR | | M8 X 18 |
| 4 | 19M8017 | Cap Screw | AR | | M12 X 20 |
| 5 | 19M8011 | Cap Screw | AR | | M12 X 30 |
| 6 | 19M8079 | Cap Screw | 8 | | M12 X 80 |
| 7 | LCA97675 | Plug | 2 | | |
| 8 | 19M7297 | Cap Screw | AR | | M8 X 12 |
| 9 | LCA98543 | Sheet | 1 | | RH |
| key | PART NO. | PART NAME | QTY | SERIAL NO. | REMARKS |
| 10 | LCA98542 | Sheet | 1 | | LH |
| 11 | 12M7056 | Lock Washer | AR | | 8 mm |
| 12 | LCA113482 | Drum | 1 | | LH INCL KEY 3, 11, 15 |

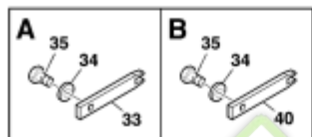
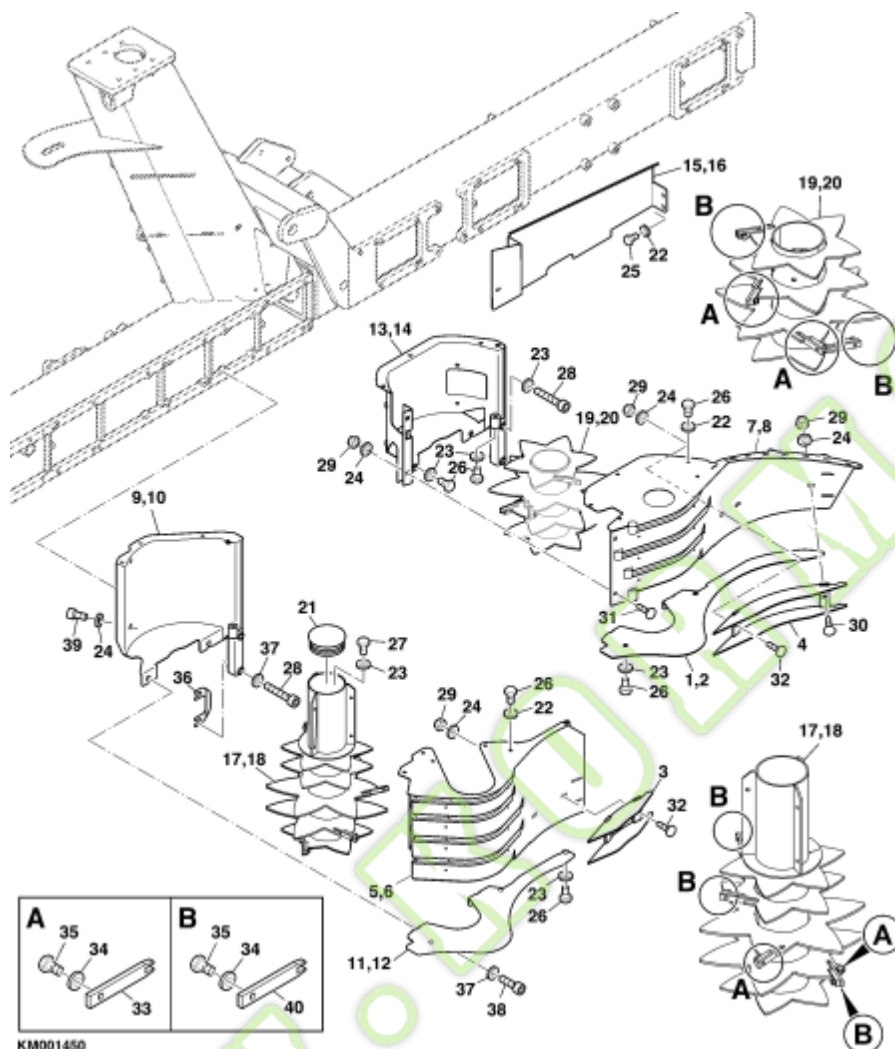
| | | | | | |
|------------|-----------------|------------------|------------|-------------------|-----------------------|
| | LCA113483 | Drum | 1 | | RH INCL KEY 3, 11, 15 |
| 13 | LCA113486 | Drum | 1 | | LH INCL KEY 3, 11, 15 |
| 14 | LCA113487 | Drum | 1 | | RH INCL KEY 3, 11, 15 |
| 15 | LCA97955 | Rotating Scraper | AR | | |
| 16 | LCA95239 | Sheet | 1 | | RH |
| 17 | LCA95238 | Sheet | 1 | | LH |
| 18 | LCA102928 | Bottom | 1 | | LH |
| key | PART NO. | PART NAME | QTY | SERIAL NO. | REMARKS |
| | LCA102929 | Bottom | 1 | | RH |
| 19 | LCA94726 | Bottom | 2 | | |
| 20 | LCA71878 | Lock Washer | AR | | |
| 21 | LCA72740 | Lock Washer | AR | | |
| 22 | LCA84221 | Lock Washer | AR | | |
| 23 | LCA93197 | Stripper | 1 | | LH |
| 24 | LCA93198 | Stripper | 1 | | RH |
| 25 | LCA93199 | Stripper | 1 | | LH |
| 26 | LCA93200 | Stripper | 1 | | RH |

Catalog: 4711 | Grid: 0 | Section: 100 | Page: 33

Catalog Name: **360plus Rotary Harvesting Unit (European Edition)**

Page Name: **Cross Feed Drum and Outer Cover (122139 -)**

Direction of Travel:

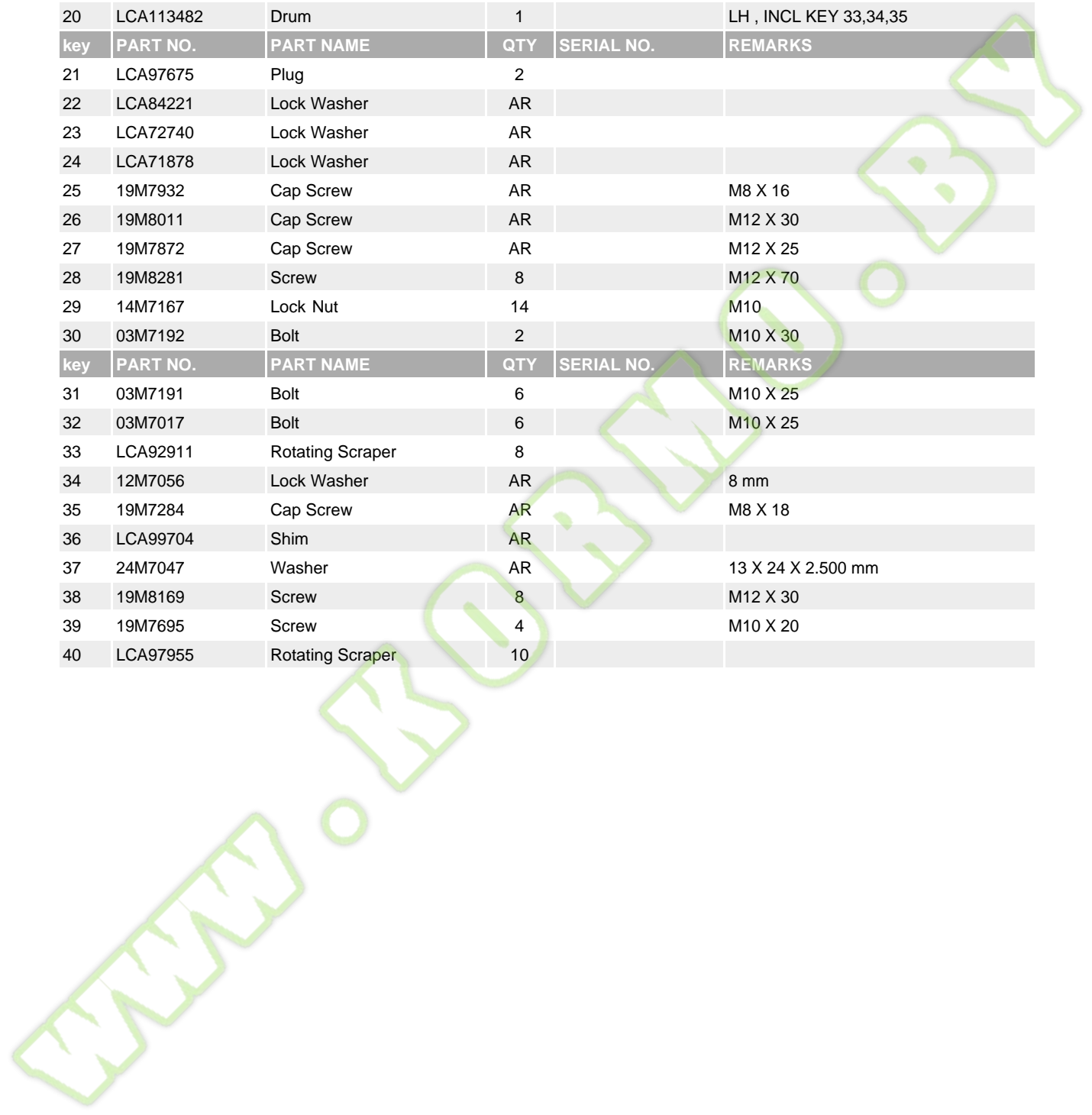


KM001450

| key | PART NO. | PART NAME | QTY | SERIAL NO. | REMARKS |
|-----|-----------|-----------|-----|------------|---------|
| 1 | LCA109274 | Sheet | 1 | | RH |
| 2 | LCA109273 | Sheet | 1 | | LH |
| 3 | LCA107550 | Guide | 2 | | |
| 4 | LCA107546 | Guide | 2 | | |
| 5 | LCA107544 | Stripper | 1 | | RH |
| 6 | LCA107543 | Stripper | 1 | | LH |
| 7 | LCA107527 | Stripper | 1 | | RH |
| 8 | LCA107526 | Stripper | 1 | | LH |
| 9 | LCA106856 | Case | 1 | | RH |
| 10 | LCA106855 | Case | 1 | | LH |
| key | PART NO. | PART NAME | QTY | SERIAL NO. | REMARKS |
| 11 | LCA107985 | Sheet | 1 | | RH |
| 12 | LCA107984 | Sheet | 1 | | LH |
| 13 | LCA106303 | Case | 1 | | RH |



| 14 | LCA106302 | Case | 1 | | LH |
|-----|-----------|------------------|-----|------------|------------------------|
| 15 | LCA102859 | Guard | 1 | | RH |
| 16 | LCA102858 | Guard | 1 | | LH |
| 17 | LCA113487 | Drum | 1 | | RH , INCL KEY 33,34,35 |
| 18 | LCA113486 | Drum | 1 | | LH , INCL KEY 33,34,35 |
| 19 | LCA113483 | Drum | 1 | | RH , INCL KEY 33,34,35 |
| 20 | LCA113482 | Drum | 1 | | LH , INCL KEY 33,34,35 |
| key | PART NO. | PART NAME | QTY | SERIAL NO. | REMARKS |
| 21 | LCA97675 | Plug | 2 | | |
| 22 | LCA84221 | Lock Washer | AR | | |
| 23 | LCA72740 | Lock Washer | AR | | |
| 24 | LCA71878 | Lock Washer | AR | | |
| 25 | 19M7932 | Cap Screw | AR | | M8 X 16 |
| 26 | 19M8011 | Cap Screw | AR | | M12 X 30 |
| 27 | 19M7872 | Cap Screw | AR | | M12 X 25 |
| 28 | 19M8281 | Screw | 8 | | M12 X 70 |
| 29 | 14M7167 | Lock Nut | 14 | | M10 |
| 30 | 03M7192 | Bolt | 2 | | M10 X 30 |
| key | PART NO. | PART NAME | QTY | SERIAL NO. | REMARKS |
| 31 | 03M7191 | Bolt | 6 | | M10 X 25 |
| 32 | 03M7017 | Bolt | 6 | | M10 X 25 |
| 33 | LCA92911 | Rotating Scraper | 8 | | |
| 34 | 12M7056 | Lock Washer | AR | | 8 mm |
| 35 | 19M7284 | Cap Screw | AR | | M8 X 18 |
| 36 | LCA99704 | Shim | AR | | |
| 37 | 24M7047 | Washer | AR | | 13 X 24 X 2.500 mm |
| 38 | 19M8169 | Screw | 8 | | M12 X 30 |
| 39 | 19M7695 | Screw | 4 | | M10 X 20 |
| 40 | LCA97955 | Rotating Scraper | 10 | | |

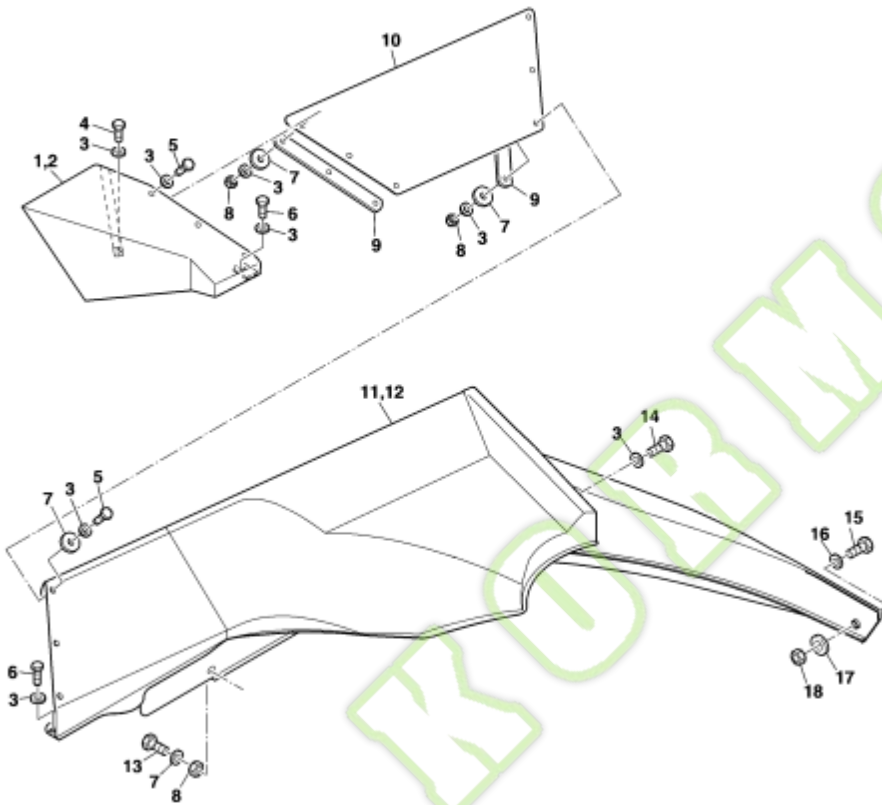


Catalog: 4711 | Grid: 0 | Section: 100 | Page: 34

Catalog Name: **360plus Rotary Harvesting Unit (European Edition)**

Page Name: **Guard**

Direction of Travel:



KM001121

| key | PART NO. | PART NAME | QTY | SERIAL NO. | REMARKS |
|-----|-----------|---------------|-----|------------|---------------|
| 1 | LCA103650 | Cover | 1 | -117375 | LH |
| | LCA106644 | Cover | 1 | 117376- | LH |
| 2 | LCA103651 | Cover | 1 | -117375 | RH |
| | LCA106645 | Cover | 1 | 117376- | RH |
| 3 | LCA84221 | Lock Washer | AR | | |
| 4 | 19M7932 | Cap Screw | AR | | M8 X 16 |
| 5 | 19M7513 | Cap Screw | AR | | M8 X 30 |
| 6 | 19M7297 | Cap Screw | AR | | M8 X 12 |
| 7 | 24M7024 | Washer | AR | | 9 X 28 X 3 mm |
| 8 | 14M7029 | Nut | AR | | M8 |
| key | PART NO. | PART NAME | QTY | SERIAL NO. | REMARKS |
| 9 | LCA103670 | Reinforcement | 4 | -117375 | |
| | LCA106659 | Strap | 1 | 117376- | |
| 10 | LCA103658 | Shield | 2 | -117375 | |



| | | | | | |
|------------|-----------------|------------------|------------|-------------------|-------------------|
| | LCA106660 | Shield | 1 | 117376- | |
| 11 | LCA99274 | Shield | 1 | -117375 | LH |
| | LCA106667 | Cover | 1 | 117376- | LH |
| 12 | LCA99275 | Shield | 1 | -117375 | RH |
| | LCA106668 | Cover | 1 | 117376- | RH |
| 13 | 19M7378 | Cap Screw | 4 | | M8 X 45 |
| 14 | 19M7139 | Cap Screw | AR | | M8 X 20 |
| key | PART NO. | PART NAME | QTY | SERIAL NO. | REMARKS |
| 15 | 19M7662 | Cap Screw | 2 | | M10 X 30 |
| 16 | LCA71878 | Lock Washer | 2 | | |
| 17 | 24M7207 | Washer | 2 | | 8.400 X 24 X 2 mm |
| 18 | 14M7660 | Lock Nut | 2 | | M10 |

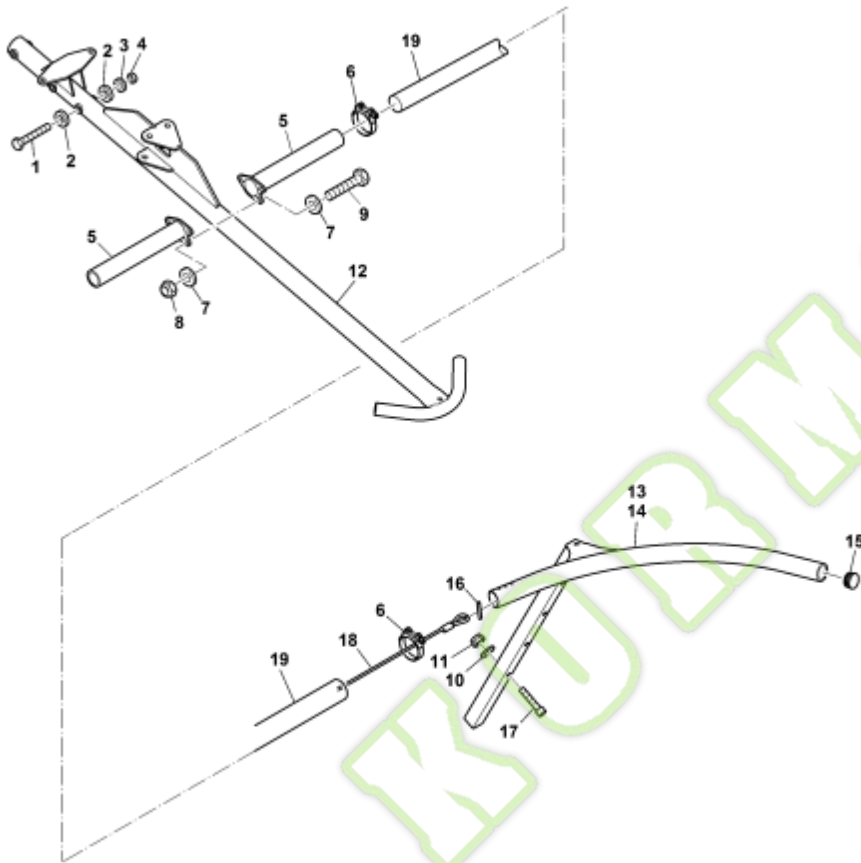
WWW.KORMO.BY

Catalog: 4711 | Grid: 0 | Section: 100 | Page: 35

Catalog Name: **360plus Rotary Harvesting Unit (European Edition)**

Page Name: **Feed Bar**

Direction of Travel:



KM001691

| key | PART NO. | PART NAME | QTY | SERIAL NO. | REMARKS |
|-----|-----------|-------------|-----|------------|--------------------|
| 1 | 19M10120 | Cap Screw | AR | | M10 X 95 |
| 2 | 24M7101 | Washer | AR | | 11 X 34 X 3 mm |
| 3 | LCA71878 | Lock Washer | AR | | |
| 4 | 14M7140 | Nut | AR | | M10 |
| 5 | LCA105055 | Tube | 2 | | |
| 6 | AT105289 | Clamp | 4 | | |
| 7 | 24M7028 | Washer | 6 | | 10.500 X 20 X 2 mm |
| 8 | 14M7167 | Lock Nut | 3 | | M10 |
| 9 | 19M7550 | Cap Screw | 3 | | M10 X 35 |
| 10 | 24M7047 | Washer | AR | | 13 X 24 X 2.500 mm |
| key | PART NO. | PART NAME | QTY | SERIAL NO. | REMARKS |
| 11 | 14M7168 | Lock Nut | AR | | M12 |
| 12 | LCA107110 | Bail | 1 | | (A) |
| | LCA98785 | Bail | 1 | | (B) |

| | | | | | |
|----|-----------|------------|----|--|-----------|
| 13 | LCA104196 | Bail | 1 | | LH |
| 14 | LCA104197 | Bail | 1 | | RH |
| 15 | LCA98776 | Plug | 2 | | |
| 16 | 34M7049 | Spring Pin | 2 | | 8 X 50 mm |
| 17 | 19M8444 | Screw | AR | | M12 X 60 |
| 18 | LCA104248 | Rope | 1 | | |
| 19 | LCA104642 | Hose | 2 | | |

(A) Without Support Wheel(B) With Support Wheel

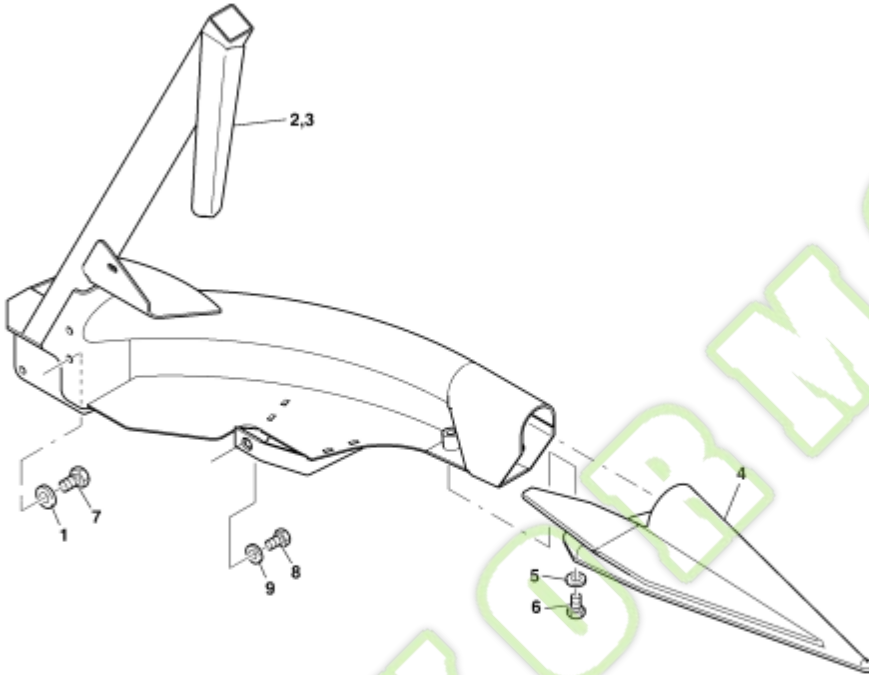
WWW.KORMO.BY

Catalog: 4711 | Grid: 0 | Section: 100 | Page: 36

Catalog Name: **360plus Rotary Harvesting Unit (European Edition)**

Page Name: **Crop Lifter (- 128922)**

Direction of Travel:



KM001694

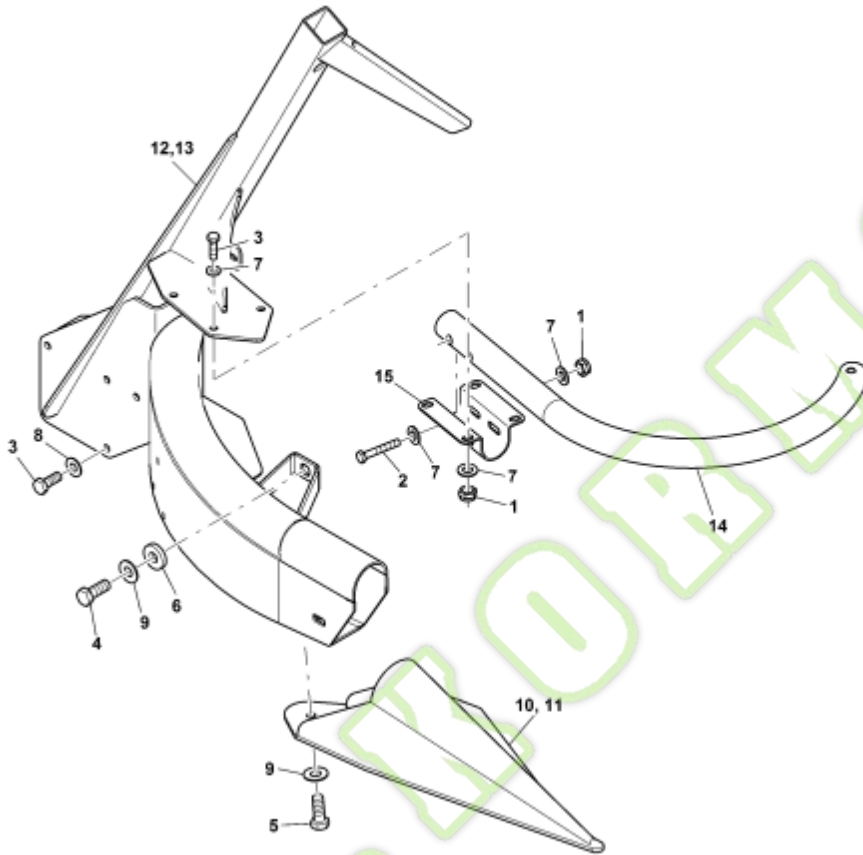
| key | PART NO. | PART NAME | QTY | SERIAL NO. | REMARKS |
|-----|-----------|----------------|-----|------------|----------------|
| 1 | LCA71878 | Lock Washer | AR | | |
| 2 | LCA93270 | Crop Lifter | 1 | | LH |
| 3 | LCA93271 | Crop Lifter | 1 | | LRH |
| 4 | LCA107993 | Gatherer Point | 1 | | LH |
| | LCA107994 | Gatherer Point | 1 | | RH |
| 5 | LCA72740 | Lock Washer | 4 | | |
| 6 | 19M7493 | Cap Screw | 4 | | M12 X 40 |
| 7 | 19M7402 | Cap Screw | AR | | M10 X 25 |
| 8 | 19M8011 | Cap Screw | AR | | M12 X 30 |
| 9 | 24M7478 | Washer | AR | | 13 X 30 X 6 mm |

Catalog: 4711 | Grid: 0 | Section: 100 | Page: 37

Catalog Name: **360plus Rotary Harvesting Unit (European Edition)**

Page Name: **Crop Lifter (128923 -)**

Direction of Travel:



KM001695

| key | PART NO. | PART NAME | QTY | SERIAL NO. | REMARKS |
|-----|-----------|----------------|-----|------------|--------------------|
| 1 | 14M7167 | Lock Nut | 12 | | M10 |
| 2 | 19M7742 | Cap Screw | 4 | | M10 X 65 |
| 3 | 19M7402 | Cap Screw | 16 | | M10 X 25 |
| 4 | 19M8011 | Cap Screw | 2 | | M12 X 30 |
| 5 | 19M7493 | Cap Screw | 4 | | M12 X 40 |
| 6 | 24M7478 | Washer | 2 | | 13 X 30 X 6 mm |
| 7 | 24M7028 | Washer | 24 | | 10.500 X 20 X 2 mm |
| 8 | LCA71878 | Lock Washer | 8 | | |
| 9 | LCA72740 | Lock Washer | 6 | | |
| 10 | LCA107993 | Gatherer Point | 1 | | LH |
| key | PART NO. | PART NAME | QTY | SERIAL NO. | REMARKS |
| 11 | LCA107994 | Gatherer Point | 1 | | RH |
| 12 | LCA114085 | Crop Lifter | 1 | | LH |
| 13 | LCA114086 | Crop Lifter | 1 | | RH |

| | | | | | |
|----|-----------|-------|---|--|--|
| 14 | LCA114593 | Tube | 2 | | |
| 15 | LCA114595 | Clamp | 2 | | |

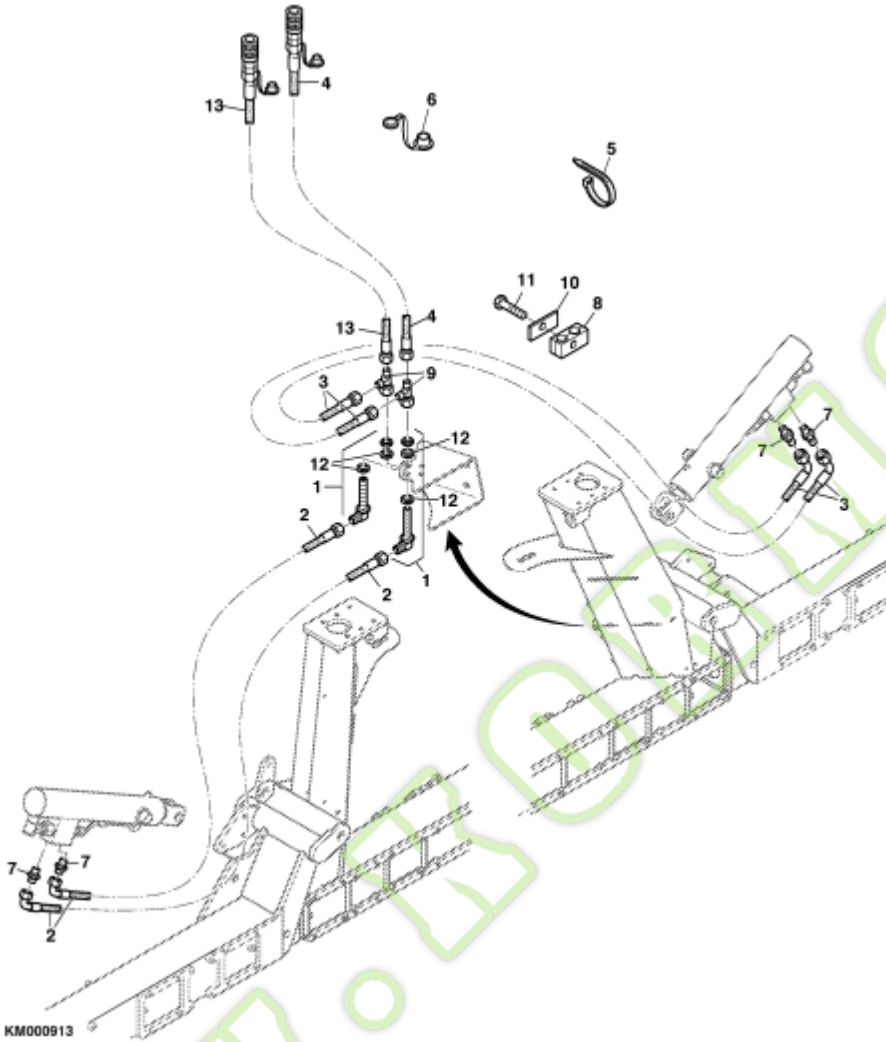
WWW.KORMO.BY

Catalog: 4711 | Grid: 0 | Section: 100 | Page: 38

Catalog Name: **360plus Rotary Harvesting Unit (European Edition)**

Page Name: **Hydraulic Lift Components**

Direction of Travel:



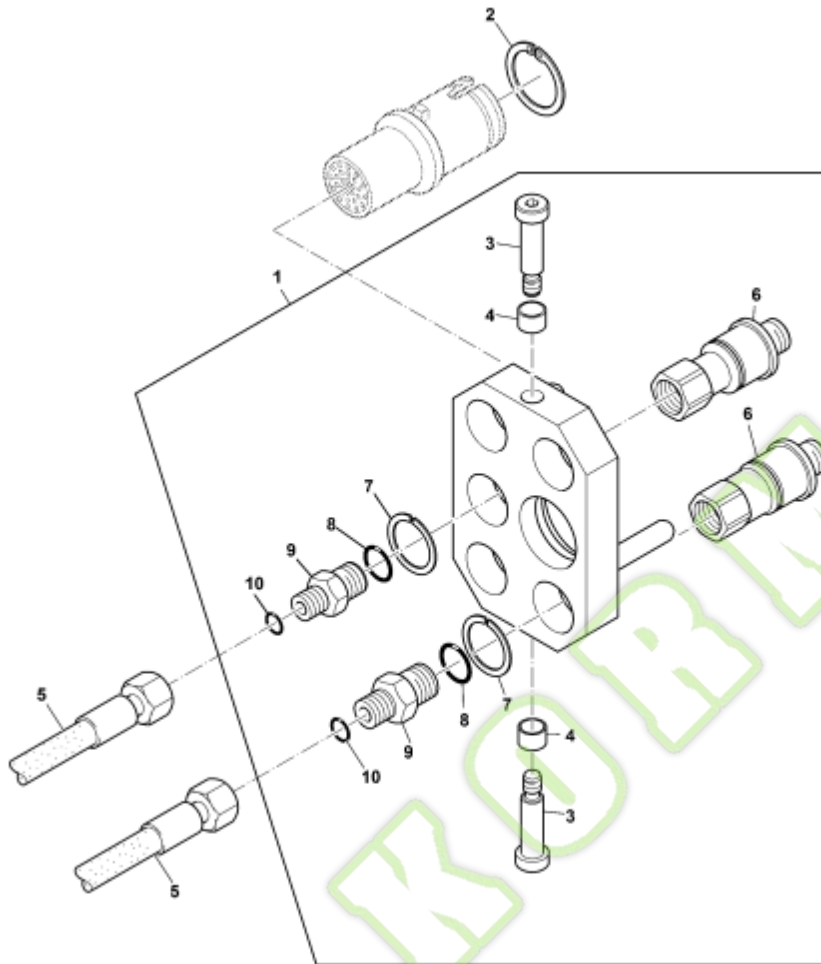
KM000913

| key | PART NO. | PART NAME | QTY | SERIAL NO. | REMARKS |
|-----|----------|----------------|-----|------------|----------------|
| 1 | LCA51185 | Elbow Fitting | 2 | | |
| 2 | LCA79933 | Hydraulic Hose | 2 | | |
| 3 | LCA79932 | Hydraulic Hose | 2 | | |
| 4 | LCA68473 | Hydraulic Hose | 1 | | |
| 5 | R44302 | Tie Band | AR | | |
| 6 | AZ19456 | Dust Shield | 2 | | |
| 7 | LCA40165 | Fitting | 4 | | |
| 8 | H135156 | Clamp | 1 | | |
| 9 | LCA51184 | Fitting | 2 | | |
| 10 | LCA83295 | Plate | 1 | | |
| key | PART NO. | PART NAME | QTY | SERIAL NO. | REMARKS |
| 11 | 19M8329 | Cap Screw | 1 | | M6 X 50 |
| 12 | 24M7107 | Washer | 4 | | 14 X 28 X 3 mm |
| 13 | LCA68474 | Hydraulic Hose | 1 | | |

Catalog: 4711 | Grid: 0 | Section: 100 | Page: 39

Catalog Name: **360plus Rotary Harvesting Unit (European Edition)**

Page Name: **Multicoupler**



KM001312

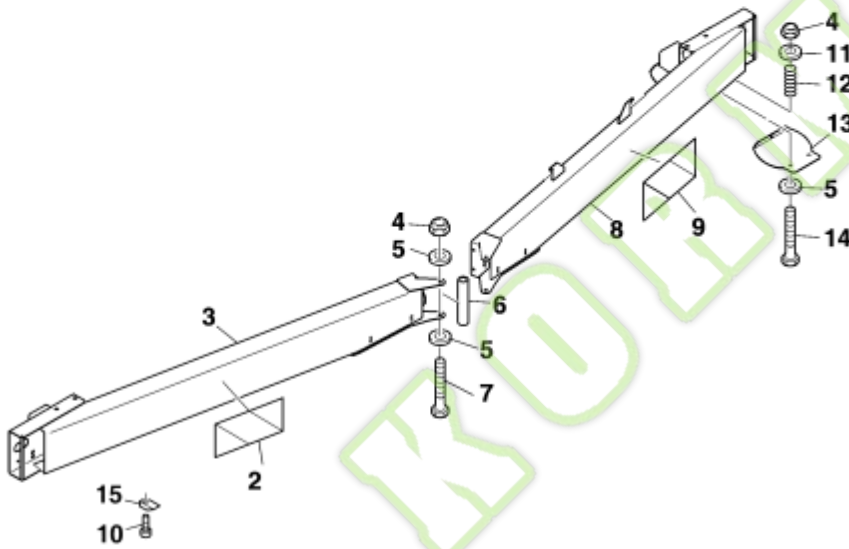
| key | PART NO. | PART NAME | QTY | SERIAL NO. | REMARKS |
|-----|-----------|----------------------------|-----|------------|---------|
| 1 | LCA107649 | Coupling | 1 | | |
| 2 | H175880 | Snap Ring | 1 | | |
| 3 | H202073 | Bolt | 2 | | |
| 4 | H202071 | Bushing | 2 | | |
| 5 | LCA110298 | Hydraulic Hose | 2 | | |
| 6 | AH225668 | Hydr. Quick Coupler Socket | 2 | | |
| 7 | H178181 | Snap Ring | 2 | | |
| 8 | R26375 | O-Ring | 2 | | |
| 9 | 38H1171 | Adapter Fitting | 2 | | |
| 10 | T77613 | O-Ring | 2 | | |

Catalog: 4711 | Grid: 0 | Section: 100 | Page: 40

Catalog Name: **360plus Rotary Harvesting Unit (European Edition)**

Page Name: **Accident Protection**

Direction of Travel:



KM001113

| key | PART NO. | PART NAME | QTY | SERIAL NO. | REMARKS |
|-----|-----------|--------------------|-----|------------|-----------------------|
| 1 | 19M7662 | Cap Screw | 2 | | M10 X 30 |
| 2 | LCA62402 | Safety Sign | 2 | | RH |
| 3 | LCA106756 | Guard | 1 | | RH |
| 4 | 14M7166 | Lock Nut | 5 | | M8 |
| 5 | 24M7055 | Washer | 6 | | 8.400 X 16 X 1.600 mm |
| 6 | LCA106751 | Bushing | 1 | | |
| 7 | 19M9225 | Cap Screw | 1 | | M8 X 150 |
| 8 | LCA106755 | Guard | 1 | | LH |
| 9 | LCA62403 | Safety Sign | 2 | | LH |
| 10 | 19M8551 | Screw | 2 | | M10 X 25 |
| key | PART NO. | PART NAME | QTY | SERIAL NO. | REMARKS |
| 11 | 24M7024 | Washer | 4 | | 9 X 28 X 3 mm |
| 12 | LCA38598 | Compression Spring | 4 | | |
| 13 | LCA106753 | Sheet | 2 | | |

| | | | | | |
|----|-----------|-----------|---|--|---------|
| 14 | 19M7324 | Cap Screw | 4 | | M8 X 75 |
| 15 | LCA97784 | Wedge | 2 | | |
| .. | LCA103741 | Guard | 1 | | |

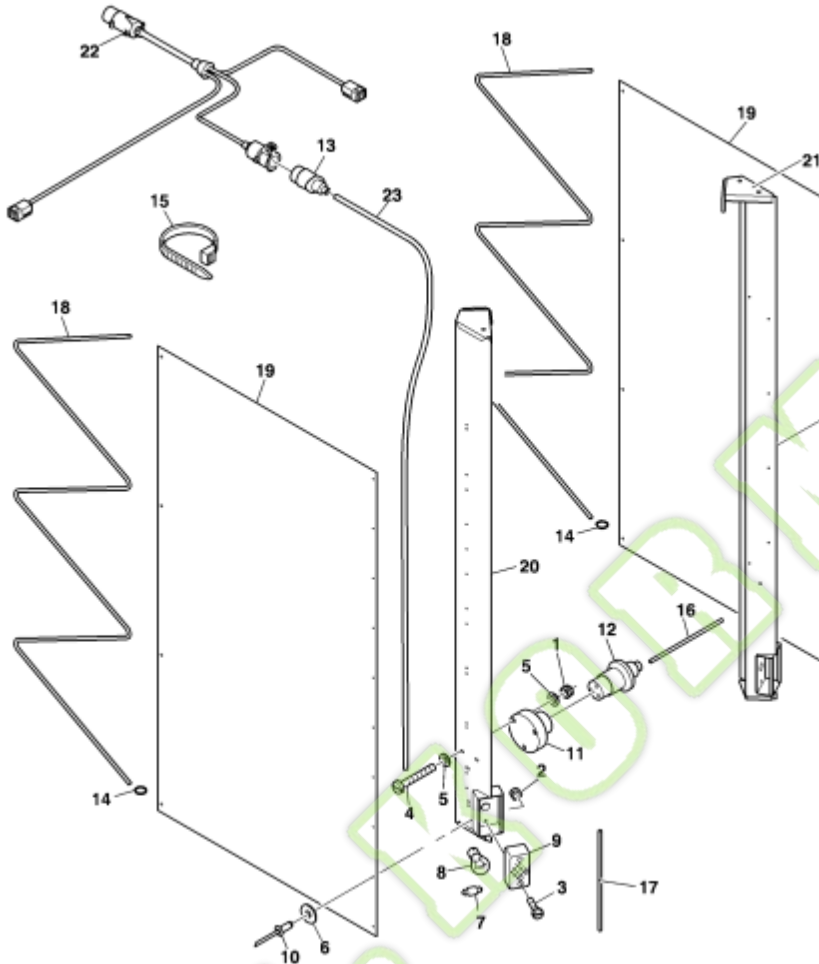
WWW.KORMO.BY

Catalog: 4711 | Grid: 0 | Section: 100 | Page: 41

Catalog Name: **360plus Rotary Harvesting Unit (European Edition)**

Page Name: **Accident Protection**

Direction of Travel:



KM000867

| key | PART NO. | PART NAME | QTY | SERIAL NO. | REMARKS |
|-----|----------|--------------------------|-----|------------|-------------------|
| 1 | 14M7265 | Lock Nut | 3 | | M5 |
| 2 | 14M7264 | Lock Nut | 4 | | M4 |
| 3 | 21M7396 | Screw | 4 | | M4 X 10 |
| 4 | 21M7143 | Screw | 3 | | M5 X 30 |
| 5 | 24M7027 | Washer | 6 | | 5.300 X 10 X 1 mm |
| 6 | 24M7138 | Washer | 18 | | 5.300 X 15 X 1 mm |
| 7 | 57M7492 | Bulb | 2 | | |
| 8 | 57M7014 | Bulb | 2 | | |
| 9 | AZ42982 | Lamp | 2 | | |
| 10 | H172258 | Rivet | 18 | | |
| key | PART NO. | PART NAME | QTY | SERIAL NO. | REMARKS |
| 11 | LCA14903 | Elec. Connector Terminal | 1 | | |
| 12 | LCA14902 | Elec. Connector Terminal | 1 | | |
| 13 | LCA35363 | Elec. Connector Terminal | 1 | | |

| | | | | | |
|-----|-----------|----------------|-----|------------|---------|
| 14 | LCA38941 | Ring | 8 | | |
| 15 | R44302 | Tie Band | AR | | |
| 16 | LCA73682 | Cable | 1 | | |
| 17 | LCA73681 | Wiring Harness | 1 | | |
| 18 | LCA90040 | Rope | 2 | | |
| 19 | LCA104077 | Guard | 2 | | |
| 20 | LCA104672 | Guard | 1 | | RH |
| key | PART NO. | PART NAME | QTY | SERIAL NO. | REMARKS |
| 21 | LCA104671 | Guard | 1 | | LH |
| 22 | LCA104580 | Wiring Harness | 1 | | (A) |
| | LCA109763 | Wiring Harness | 1 | | (B) |
| 23 | LCA66387 | Cable | 1 | | |
| .. | LCA104645 | Guard | 1 | | |

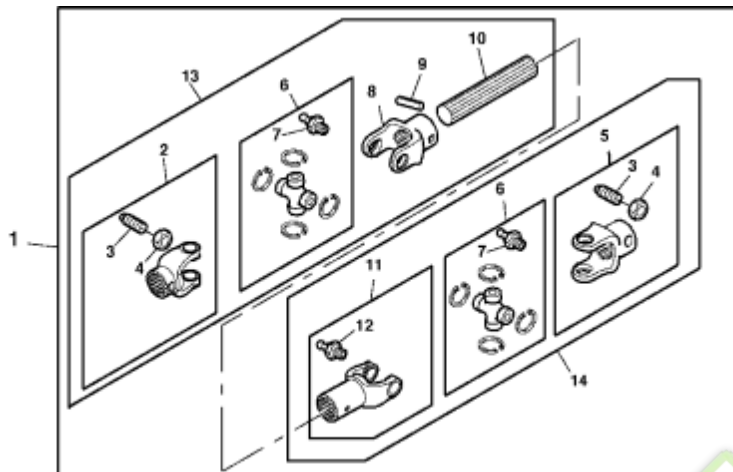
(A) For 7000 Series SPFH(B) For 8000 Series SPFH

WWW.KORMO.BY

Catalog: 4711 | Grid: 0 | Section: 100 | Page: 42

Catalog Name: **360plus Rotary Harvesting Unit (European Edition)**

Page Name: **Double Joint**



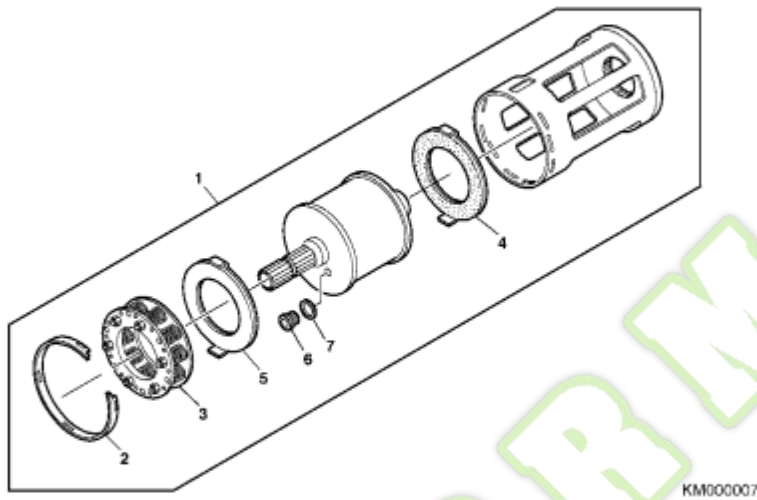
KM000332

| key | PART NO. | PART NAME | QTY | SERIAL NO. | REMARKS |
|-----|----------|----------------------------|-----|------------|-----------------------|
| 1 | LCA86279 | Universal Driveshaft | 1 | | 1.526"-23, 1-3/8"-21 |
| 2 | LCA89168 | Universal Joint Yoke | 1 | | 1.526"-23 |
| 3 | LCA89169 | Set Screw | 2 | | |
| 4 | 14M7031 | Nut | 2 | | M12 |
| 5 | LCA89170 | Universal Joint Yoke | 1 | | |
| 6 | LCA85627 | Cross And Bearing Assembly | 2 | | |
| 7 | 58M5573 | Lubrication Fitting | 2 | | |
| 8 | LCA85628 | Universal Joint Yoke | 1 | | |
| 9 | 34M7066 | Spring Pin | 1 | | 10 X 80 mm |
| 10 | LCA68446 | Shaft | 1 | | |
| key | PART NO. | PART NAME | QTY | SERIAL NO. | REMARKS |
| 11 | LCA85630 | Universal Joint Yoke | 1 | | |
| 12 | 58M5574 | Lubrication Fitting | 1 | | |
| 13 | | Universal Joint With Tube | 1 | | NSEP , ORDER LCA86279 |
| 14 | LCA94358 | Universal Joint | 1 | | |

Catalog: 4711 | Grid: 0 | Section: 100 | Page: 43

Catalog Name: **360plus Rotary Harvesting Unit (European Edition)**

Page Name: **Friction Clutch, Watercooled, M = 900 Nm**



KM000007

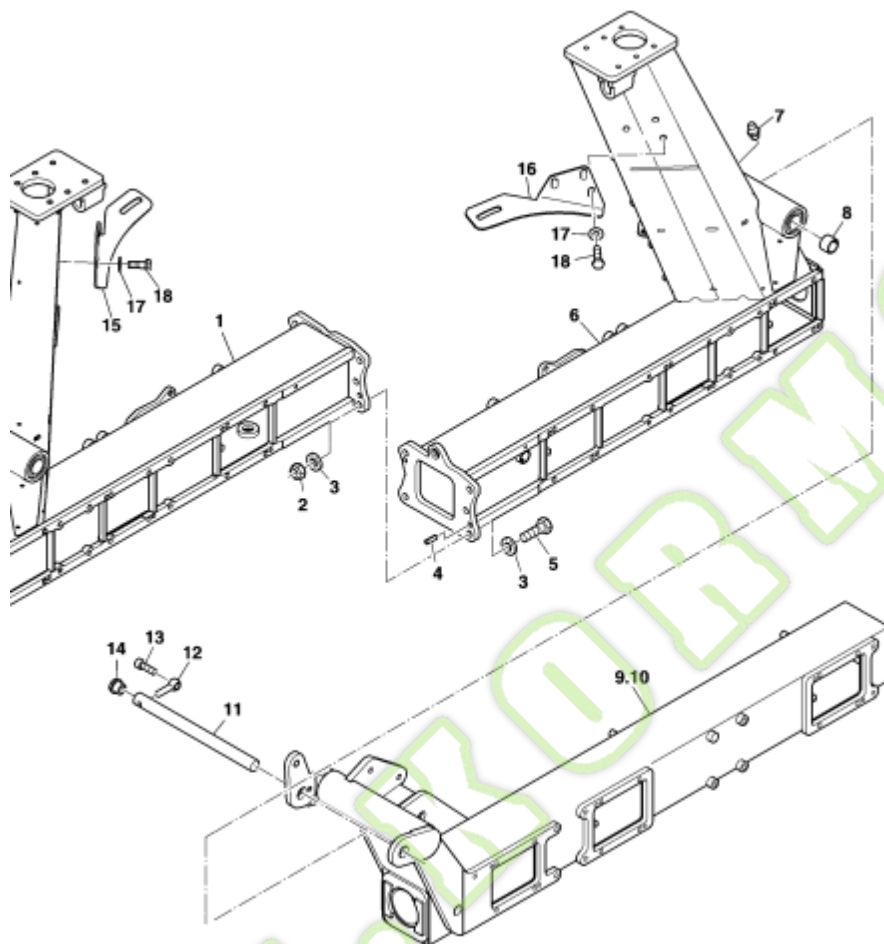
| key | PART NO. | PART NAME | QTY | SERIAL NO. | REMARKS |
|-----|----------|-----------------|-----|------------|---------|
| 1 | LCA92955 | Slip Clutch | 1 | | |
| 2 | CC25987 | Bushing | 1 | | |
| 3 | LCA77849 | Spring Assembly | 1 | | |
| 4 | LCA77875 | Clutch Disk | 1 | | |
| 5 | LCA79570 | Clutch Disk | 1 | | |
| 6 | 15M7075 | Drain Plug | 1 | | |
| 7 | 51M7012 | Sealing Ring | 1 | | |

Catalog: 4711 | Grid: 0 | Section: 100 | Page: 44

Catalog Name: **360plus Rotary Harvesting Unit (European Edition)**

Page Name: **Base Frame**

Direction of Travel:



KM001258

| key | PART NO. | PART NAME | QTY | SERIAL NO. | REMARKS |
|-----|-----------|---------------------|-----|------------|----------------|
| 1 | LCA103802 | Frame | 1 | -122246 | RH |
| | LCA109575 | Frame | 1 | 122247- | RH |
| 2 | 14M7170 | Lock Nut | AR | | M16 |
| 3 | 24M7053 | Washer | AR | | 17 X 30 X 3 mm |
| 4 | LCA72287 | Spring Pin | 4 | | |
| 5 | 19M8635 | Cap Screw | AR | | M16 X 60 |
| 6 | LCA103801 | Frame | 1 | -122246 | LH |
| | LCA109574 | Frame | 1 | 122247- | LH |
| 7 | 58M5574 | Lubrication Fitting | 2 | | |
| 8 | A60601 | Bushing | 4 | | |
| key | PART NO. | PART NAME | QTY | SERIAL NO. | REMARKS |
| 9 | LCA103805 | Frame | 1 | | LH |
| 10 | LCA103806 | Frame | 1 | | RH |
| 11 | LCA69661 | Pin Fastener | 2 | | |

| | | | | | |
|----|-----------|--------------|----|---------|----------|
| 12 | LCA61334 | Pin Fastener | 2 | | |
| 13 | 19M8533 | Screw | 2 | | M10 X 25 |
| 14 | LCA72096 | Plug | AR | | |
| 15 | LCA109691 | Sheet | 1 | 122247- | RH |
| 16 | LCA109690 | Sheet | 1 | 122247- | LH |
| 17 | LCA71878 | Lock Washer | 6 | 122247- | |
| 18 | 19M7938 | Cap Screw | 6 | 122247- | M10 X 20 |

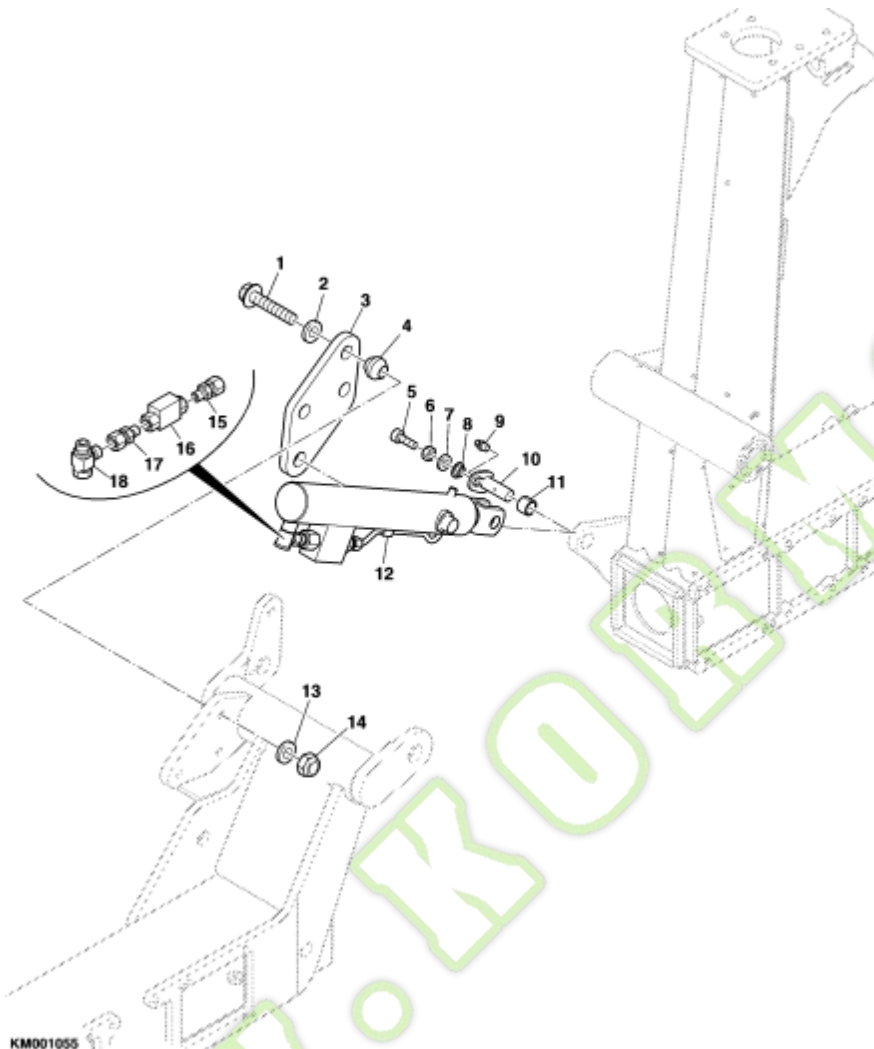
WWW.KORMO.BY

Catalog: 4711 | Grid: 0 | Section: 100 | Page: 45

Catalog Name: **360plus Rotary Harvesting Unit (European Edition)**

Page Name: **Base Frame**

Direction of Travel:



KM001055

| key | PART NO. | PART NAME | QTY | SERIAL NO. | REMARKS |
|-----|-----------|---------------------|-----|------------|----------|
| 1 | 19M10432 | Screw | 6 | | M12 X 65 |
| 2 | LCA72740 | Lock Washer | 6 | | |
| 3 | LCA104253 | Plate | 1 | | LH |
| | LCA104254 | Plate | 1 | | RH |
| 4 | LCA103926 | Bushing | 6 | | |
| 5 | 19M8300 | Screw | 2 | | M8 X 40 |
| 6 | 14M7029 | Nut | 2 | | M8 |
| 7 | LCA84221 | Lock Washer | 2 | | |
| 8 | LCA104958 | Bushing | 2 | | |
| 9 | 58M5574 | Lubrication Fitting | 2 | | |
| key | PART NO. | PART NAME | QTY | SERIAL NO. | REMARKS |
| 10 | LCA109057 | Pin Fastener | 2 | | |
| 11 | LCA45211 | Bushing | 2 | | |
| 12 | LCA104572 | Hydraulic Cylinder | 2 | | |

| | | | | | |
|----|----------|---------------|---|--|----------------|
| 13 | 24M7478 | Washer | 6 | | 13 X 30 X 6 mm |
| 14 | 14M7168 | Lock Nut | 6 | | M12 |
| 15 | LCA98083 | Fitting | 2 | | |
| 16 | LCA67042 | Check Valve | 2 | | |
| 17 | LCA66910 | Fitting | 2 | | |
| 18 | LCA98082 | Elbow Fitting | 2 | | |

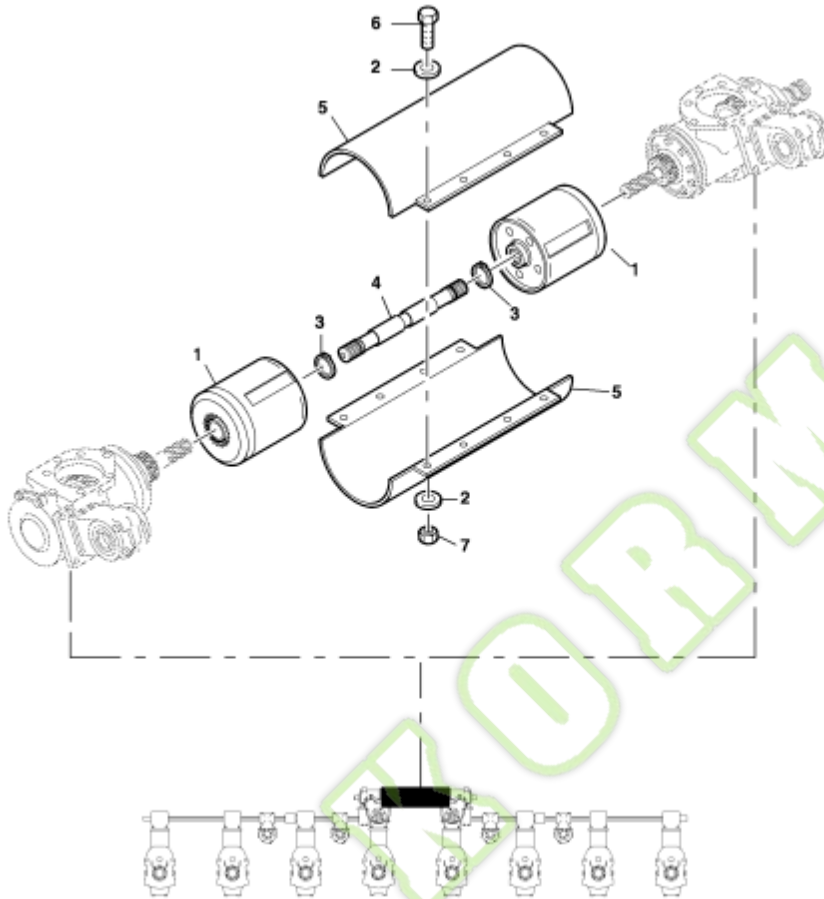
WWW.KORMO.BY

Catalog: 4711 | Grid: 0 | Section: 100 | Page: 46

Catalog Name: **360plus Rotary Harvesting Unit (European Edition)**

Page Name: **Through Drive - Main Drive Clutch - Watercooled**

Direction of Travel:



KM000657

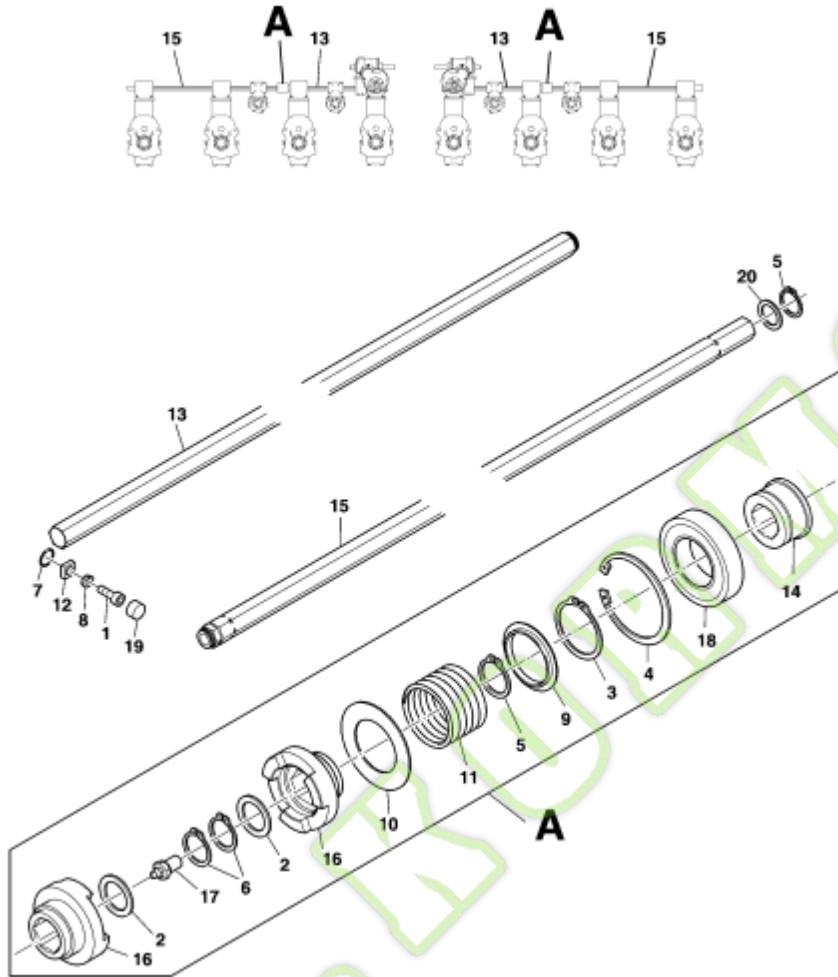
| key | PART NO. | PART NAME | QTY | SERIAL NO. | REMARKS |
|-----|----------|-------------|-----|------------|-----------------------|
| 1 | LCA92955 | Slip Clutch | 2 | | |
| 2 | 24M7055 | Washer | 16 | | 8.400 X 16 X 1.600 mm |
| 3 | 40M7109 | Snap Ring | 4 | | |
| 4 | LCA92951 | Shaft | 1 | | LGTH = 273 mm |
| 5 | LCA78074 | Guard | 2 | | |
| 6 | 19M7139 | Cap Screw | 8 | | M8 X 20 |
| 7 | 14M7166 | Lock Nut | 8 | | M8 |

Catalog: 4711 | Grid: 0 | Section: 100 | Page: 47

Catalog Name: **360plus Rotary Harvesting Unit (European Edition)**

Page Name: **Through Drive - Main Drive Clutch**

Direction of Travel:



KM001161

| key | PART NO. | PART NAME | QTY | SERIAL NO. | REMARKS |
|-----|----------|--------------------|-----|------------|--------------------|
| 1 | 19M8533 | Screw | 2 | | M10 X 25 |
| 2 | 24M7227 | Washer | 4 | | 30 X 42 X 2.500 mm |
| 3 | 40M7066 | Snap Ring | 2 | | |
| 4 | 40M1873 | Snap Ring | 2 | | |
| 5 | 40M7109 | Snap Ring | 4 | | |
| 6 | 40M7098 | Snap Ring | 4 | | |
| 7 | T74550 | O-Ring | 2 | | |
| 8 | 12M7061 | Lock Washer | 2 | | 10.500 mm |
| 9 | LCA62683 | Disk | 2 | | |
| 10 | LCA62684 | Disk | 2 | | |
| key | PART NO. | PART NAME | QTY | SERIAL NO. | REMARKS |
| 11 | LCA64574 | Compression Spring | 2 | | |
| 12 | LCA69662 | Stop | 2 | | |
| 13 | LCA73123 | Shaft | 2 | | |

| | | | | | |
|----|----------|---------------------|---|--|--------------------|
| 14 | LCA73125 | Bushing | 2 | | |
| 15 | LCA94214 | Shaft | 2 | | |
| 16 | LCA94215 | Shift Collar | 4 | | |
| 17 | LCA98300 | Lubrication Fitting | 2 | | |
| 18 | JD9241 | Ball Bearing | 2 | | |
| 19 | 15M7090 | Drain Plug | 2 | | |
| 20 | 24M6560 | Washer | 2 | | 35 X 45 X 2.500 mm |

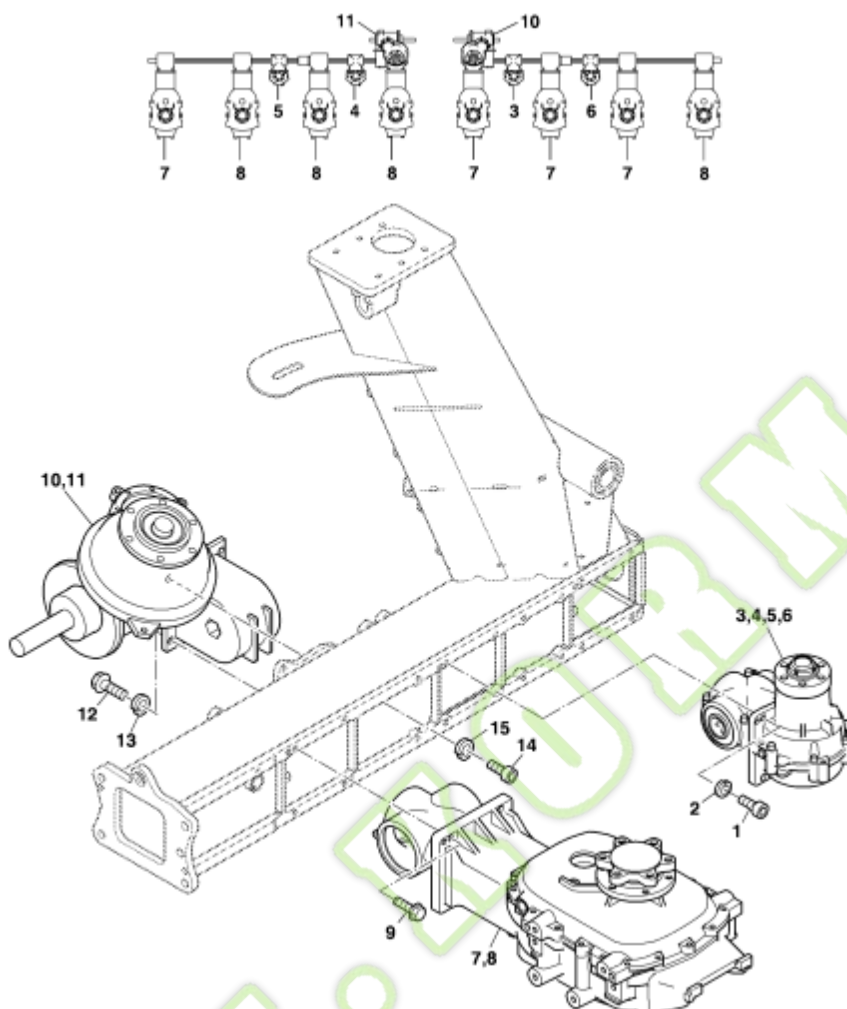
WWW.KORMO.BY

Catalog: 4711 | Grid: 0 | Section: 100 | Page: 48

Catalog Name: **360plus Rotary Harvesting Unit (European Edition)**

Page Name: **Transmission**

Direction of Travel:



KM000859

| key | PART NO. | PART NAME | QTY | SERIAL NO. | REMARKS |
|-----|-----------|---------------------------|-----|------------|---------------------------|
| 1 | 19M8169 | Screw | 16 | | M12 X 30 |
| 2 | 12M7055 | Washer | 16 | | 13 mm |
| 3 | LCA70197 | Parallel Shaft Gear Drive | 1 | | |
| 4 | LCA70196 | Parallel Shaft Gear Drive | 1 | | |
| 5 | LCA75172 | Parallel Shaft Gear Drive | 1 | -119551 | |
| | LCA70196 | Parallel Shaft Gear Drive | 1 | 119552- | |
| 6 | LCA75173 | Parallel Shaft Gear Drive | 1 | -119551 | |
| | LCA70197 | Parallel Shaft Gear Drive | 1 | 119552- | |
| 7 | LCA109091 | Transmission | 4 | | SUB FOR LCA91572 |
| 8 | LCA109092 | Transmission | 4 | | SUB FOR LCA91573 |
| key | PART NO. | PART NAME | QTY | SERIAL NO. | REMARKS |
| 9 | W51619 | Self-Locking Screw | 32 | | |
| 10 | | Transmission | 1 | | (ORD LCA70115W/ LCA98481) |
| 11 | | Transmission | 1 | | (ORD LCA70116W/ LCA98481) |

| | | | | |
|----|---------|-------------|---|-----------|
| 12 | 19M8011 | Cap Screw | 8 | M12 X 30 |
| 13 | 12M7058 | Lock Washer | 8 | 12 mm |
| 14 | 19M8533 | Screw | 2 | M10 X 25 |
| 15 | 12M7061 | Lock Washer | 2 | 10.500 mm |

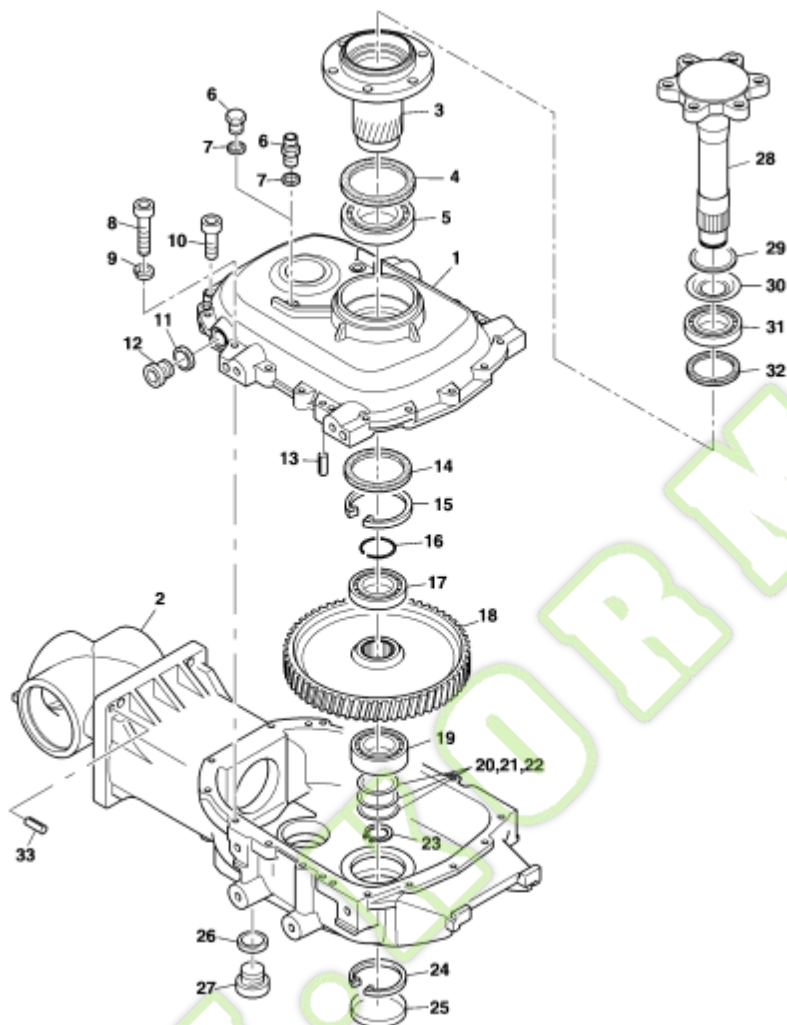
WWW.KORMO.BY

Catalog: 4711 | Grid: 0 | Section: 100 | Page: 49

Catalog Name: **360plus Rotary Harvesting Unit (European Edition)**

Page Name: **Spur Gear Angle Drive, Feeder Drums, Outer (Part I)**

Direction of Travel:



KM001048

| key | PART NO. | PART NAME | QTY | SERIAL NO. | REMARKS |
|-----|----------|--------------|-----|------------|----------|
| 1 | LCA98016 | Housing | 1 | | |
| 2 | LCA98018 | Gear Case | 1 | | |
| 3 | LCA91595 | Shaft | 1 | | |
| 4 | LCA69799 | Seal | 1 | | |
| 5 | F40113SS | Ball Bearing | 1 | | |
| 6 | LCA14625 | Fitting Plug | 1 | | |
| | LCA77644 | Bleed Valve | 1 | | |
| 7 | 51M7013 | Sealing Ring | 2 | | |
| 8 | 19M8123 | Screw | 15 | | M8 X 45 |
| 9 | 12M7072 | Lock Washer | 15 | | 8.400 mm |
| key | PART NO. | PART NAME | QTY | SERIAL NO. | REMARKS |
| 10 | 19M7657 | Screw | 2 | | M8 X 25 |
| 11 | 51M4244 | Sealing Ring | 2 | | |
| 12 | 15M7077 | Drain Plug | 2 | | |

| 13 | LCA72292 | Spring Pin | 2 | | |
|-----|-----------|----------------|-----|------------|----------------|
| 14 | LCA96074 | Seal | 1 | | |
| 15 | 40M1873 | Snap Ring | 1 | | |
| 16 | 40M7073 | Snap Ring | 1 | | |
| 17 | JD9292 | Ball Bearing | 1 | | |
| 18 | LCA91592 | Spur Gear | 1 | | LH |
| | LCA91593 | Spur Gear | 1 | | RH |
| key | PART NO. | PART NAME | QTY | SERIAL NO. | REMARKS |
| 19 | JD8518 | Ball Bearing | 1 | | |
| 20 | 24M7317 | Washer | 1 | | 35 X 45 X 1 mm |
| 21 | 24M7569 | Shim | AR | | TK = 0,1 mm |
| 22 | LCA07062 | Shim | AR | | TK = 0,3 mm |
| 23 | 40M7109 | Snap Ring | 2 | | |
| 24 | 40M7115 | Snap Ring | 3 | | |
| 25 | LCA69386 | Cap | 1 | | |
| 26 | 51M4240 | Sealing Ring | 1 | | |
| 27 | LCA63274 | Fitting Plug | 1 | | |
| 28 | LCA91594 | Shaft | 1 | | |
| key | PART NO. | PART NAME | QTY | SERIAL NO. | REMARKS |
| 29 | LCA97410 | Washer | 1 | | |
| 30 | LCA69777 | Sealing Washer | 1 | | |
| 31 | JD9245 | Ball Bearing | 1 | | |
| 32 | LCA106345 | Seal | 1 | | |
| 33 | LCA91704 | Spring Pin | 2 | | |

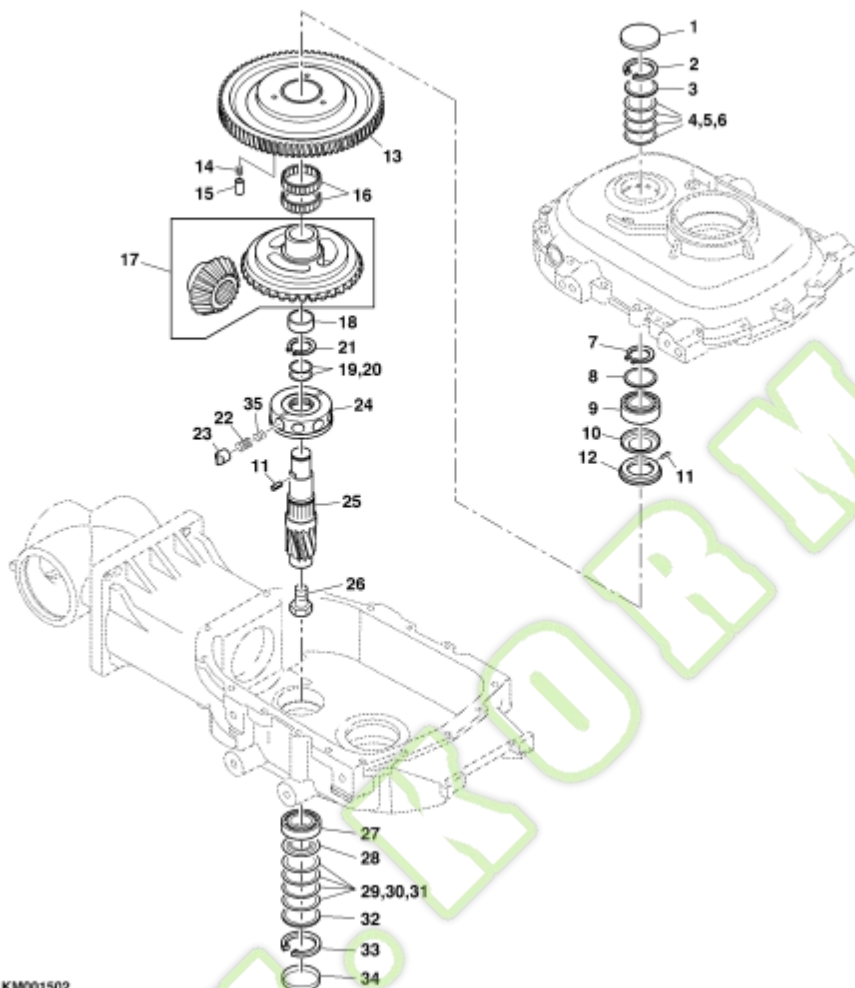
WWW.KORMO.BY

Catalog: 4711 | Grid: 0 | Section: 100 | Page: 50

Catalog Name: **360plus Rotary Harvesting Unit (European Edition)**

Page Name: **Spur Gear Angle Drive, Feeder Drums (Part II)**

Direction of Travel:

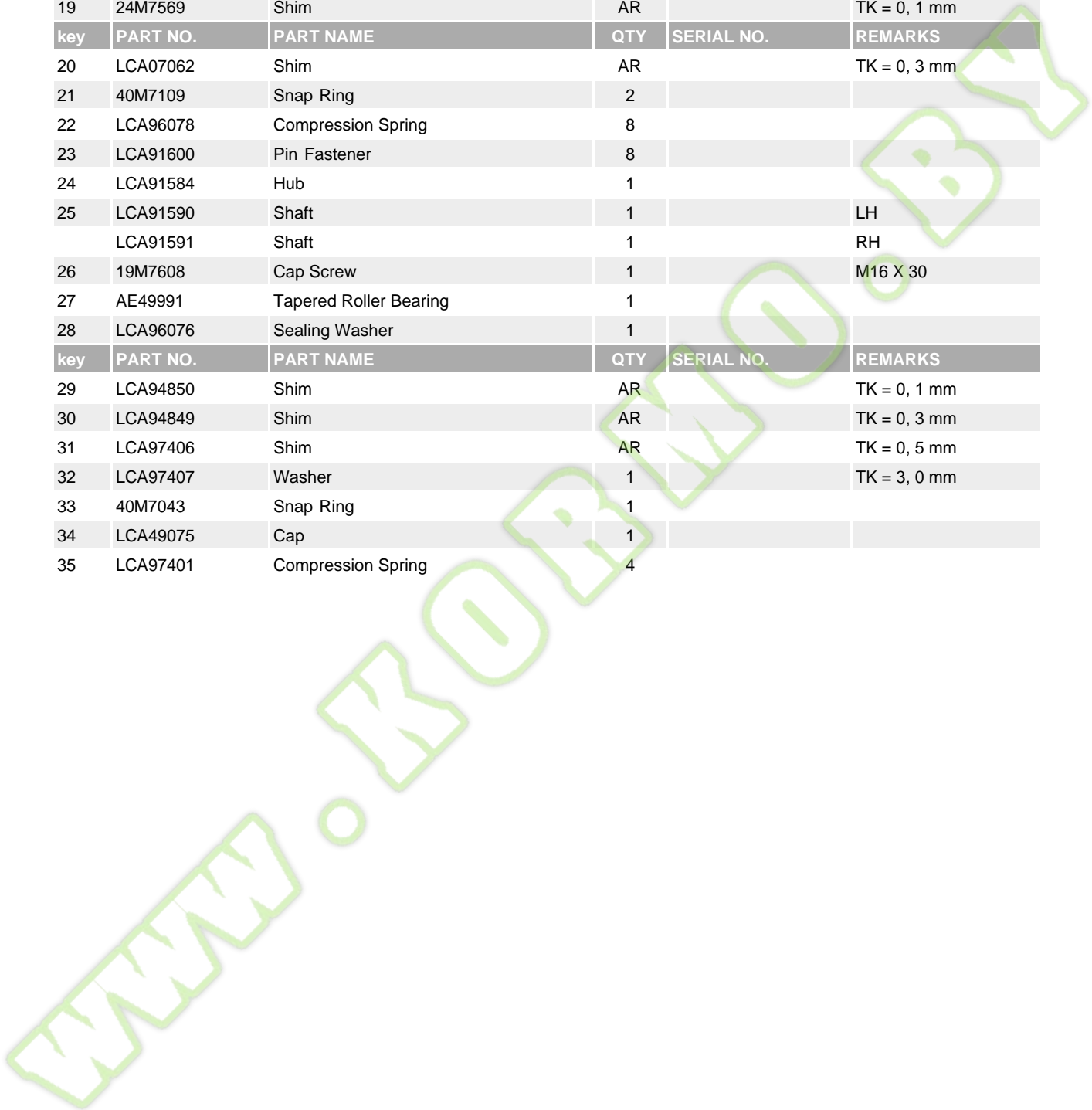


KM001502

| key | PART NO. | PART NAME | QTY | SERIAL NO. | REMARKS |
|-----|----------|------------------------|-----|------------|--------------|
| 1 | LCA71953 | Cap | 1 | | |
| 2 | 40M7375 | Snap Ring | 1 | | |
| 3 | LCA12776 | Washer | 2 | | TK = 2, 5 mm |
| 4 | LCA97403 | Shim | AR | | TK = 0, 1 mm |
| 5 | LCA97404 | Shim | AR | | TK = 0, 3 mm |
| 6 | LCA97405 | Shim | AR | | TK = 0, 5 mm |
| 7 | 40M7259 | Snap Ring | 1 | | |
| 8 | LCA97411 | Washer | 2 | | TK = 2, 5 mm |
| 9 | LCA96072 | Tapered Roller Bearing | 1 | | |
| 10 | LCA96075 | Sealing Washer | 1 | | |
| key | PART NO. | PART NAME | QTY | SERIAL NO. | REMARKS |
| 11 | 34M7201 | Spring Pin | 1 | | 4 X 10 mm |
| 12 | LCA91598 | Disk | 1 | | |
| 13 | LCA91596 | Spur Gear | 1 | | |



| | | | | | |
|-----|----------|------------------------|-----|------------|--------------|
| 14 | LCA96077 | Compression Spring | 3 | | |
| 15 | LCA73422 | Arrestor | 3 | | |
| 16 | LCA65588 | Needle Bearing | 2 | | |
| 17 | LCA98688 | Bevel Gear Drive | 1 | | LH |
| | LCA98689 | Bevel Gear Drive | 1 | | RH |
| 18 | LCA69132 | Bushing | 1 | | |
| 19 | 24M7569 | Shim | AR | | TK = 0, 1 mm |
| key | PART NO. | PART NAME | QTY | SERIAL NO. | REMARKS |
| 20 | LCA07062 | Shim | AR | | TK = 0, 3 mm |
| 21 | 40M7109 | Snap Ring | 2 | | |
| 22 | LCA96078 | Compression Spring | 8 | | |
| 23 | LCA91600 | Pin Fastener | 8 | | |
| 24 | LCA91584 | Hub | 1 | | |
| 25 | LCA91590 | Shaft | 1 | | LH |
| | LCA91591 | Shaft | 1 | | RH |
| 26 | 19M7608 | Cap Screw | 1 | | M16 X 30 |
| 27 | AE49991 | Tapered Roller Bearing | 1 | | |
| 28 | LCA96076 | Sealing Washer | 1 | | |
| key | PART NO. | PART NAME | QTY | SERIAL NO. | REMARKS |
| 29 | LCA94850 | Shim | AR | | TK = 0, 1 mm |
| 30 | LCA94849 | Shim | AR | | TK = 0, 3 mm |
| 31 | LCA97406 | Shim | AR | | TK = 0, 5 mm |
| 32 | LCA97407 | Washer | 1 | | TK = 3, 0 mm |
| 33 | 40M7043 | Snap Ring | 1 | | |
| 34 | LCA49075 | Cap | 1 | | |
| 35 | LCA97401 | Compression Spring | 4 | | |

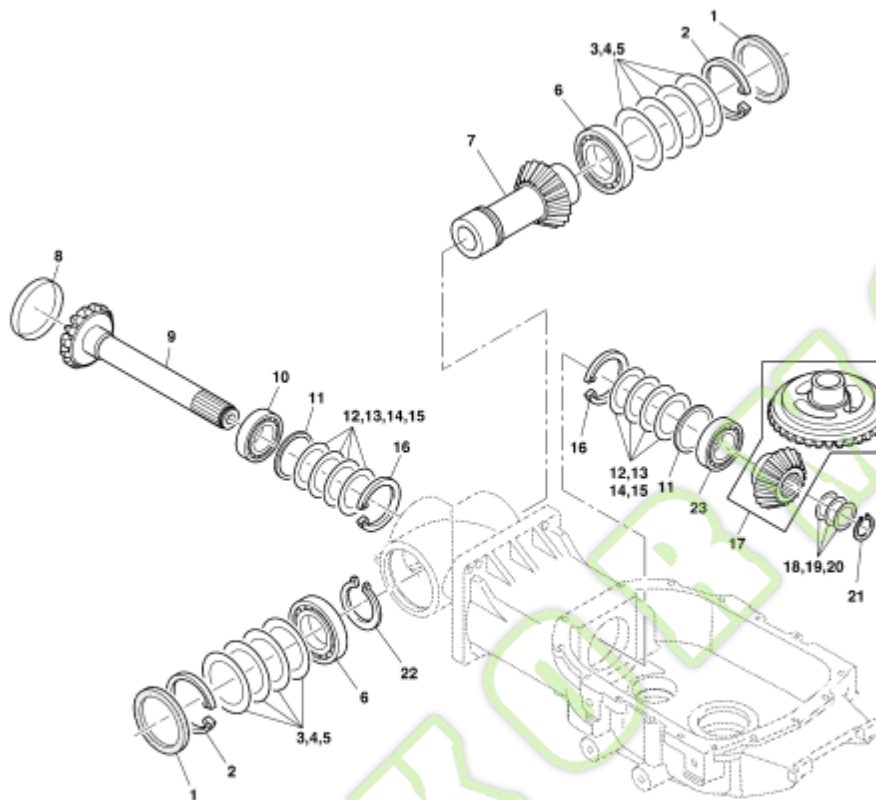


Catalog: 4711 | Grid: 0 | Section: 100 | Page: 51

Catalog Name: **360plus Rotary Harvesting Unit (European Edition)**

Page Name: **Spur Gear Angle Drive, Feeder Drums (Part III)**

Direction of Travel:



KM001503

| key | PART NO. | PART NAME | QTY | SERIAL NO. | REMARKS |
|-----|----------|------------------------|-----|------------|--------------|
| 1 | LCA96073 | Seal | 2 | | |
| 2 | 40M7117 | Snap Ring | 2 | | |
| 3 | LCA49037 | Shim | AR | | TK = 0, 1 mm |
| 4 | LCA55480 | Shim | AR | | TK = 0, 3 mm |
| 5 | LCA69771 | Washer | AR | | TK = 1, 0 mm |
| 6 | JD30227 | Ball Bearing | 2 | | |
| 7 | LCA91582 | Shaft | 1 | | |
| 8 | LCA69385 | Cap | 1 | | |
| 9 | LCA91583 | Shaft | 1 | | |
| 10 | JD37049 | Tapered Roller Bearing | 1 | | |
| key | PART NO. | PART NAME | QTY | SERIAL NO. | REMARKS |
| 11 | LCA97409 | Washer | 2 | | TK = 3, 0 mm |
| 12 | LCA92102 | Shim | AR | | TK = 0, 1 mm |
| 13 | LCA92103 | Shim | AR | | TK = 0, 3 mm |

| | | | | | |
|------------|-----------------|------------------------|------------|-------------------|----------------|
| 14 | LCA92104 | Shim | AR | | TK = 0, 5 mm |
| 15 | LCA97408 | Washer | AR | | TK = 1, 0 mm |
| 16 | 40M7115 | Snap Ring | 3 | | |
| 17 | LCA98688 | Bevel Gear Drive | 1 | | LH |
| | LCA98689 | Bevel Gear Drive | 1 | | RH |
| 18 | 24M7199 | Shim | AR | | TK = 0, 5 mm |
| 19 | 24M7304 | Shim | AR | | TK = 0, 3 mm |
| key | PART NO. | PART NAME | QTY | SERIAL NO. | REMARKS |
| 20 | 24M7305 | Shim | AR | | TK = 0, 1 mm |
| 21 | 40M7098 | Snap Ring | 1 | | |
| 22 | 40M7048 | Snap Ring | 1 | | |
| 23 | T115842 | Tapered Roller Bearing | 1 | | |

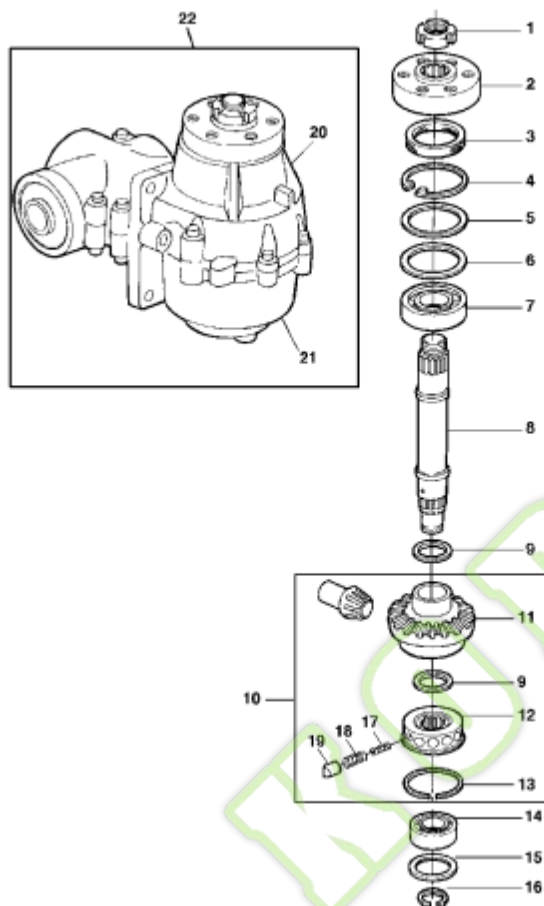
WWW.KORMO.BY

Catalog: 4711 | Grid: 0 | Section: 100 | Page: 52

Catalog Name: **360plus Rotary Harvesting Unit (European Edition)**

Page Name: **LCA70196 , LCA70197 Angle Drive For Cross Feed Drum**

Direction of Travel:



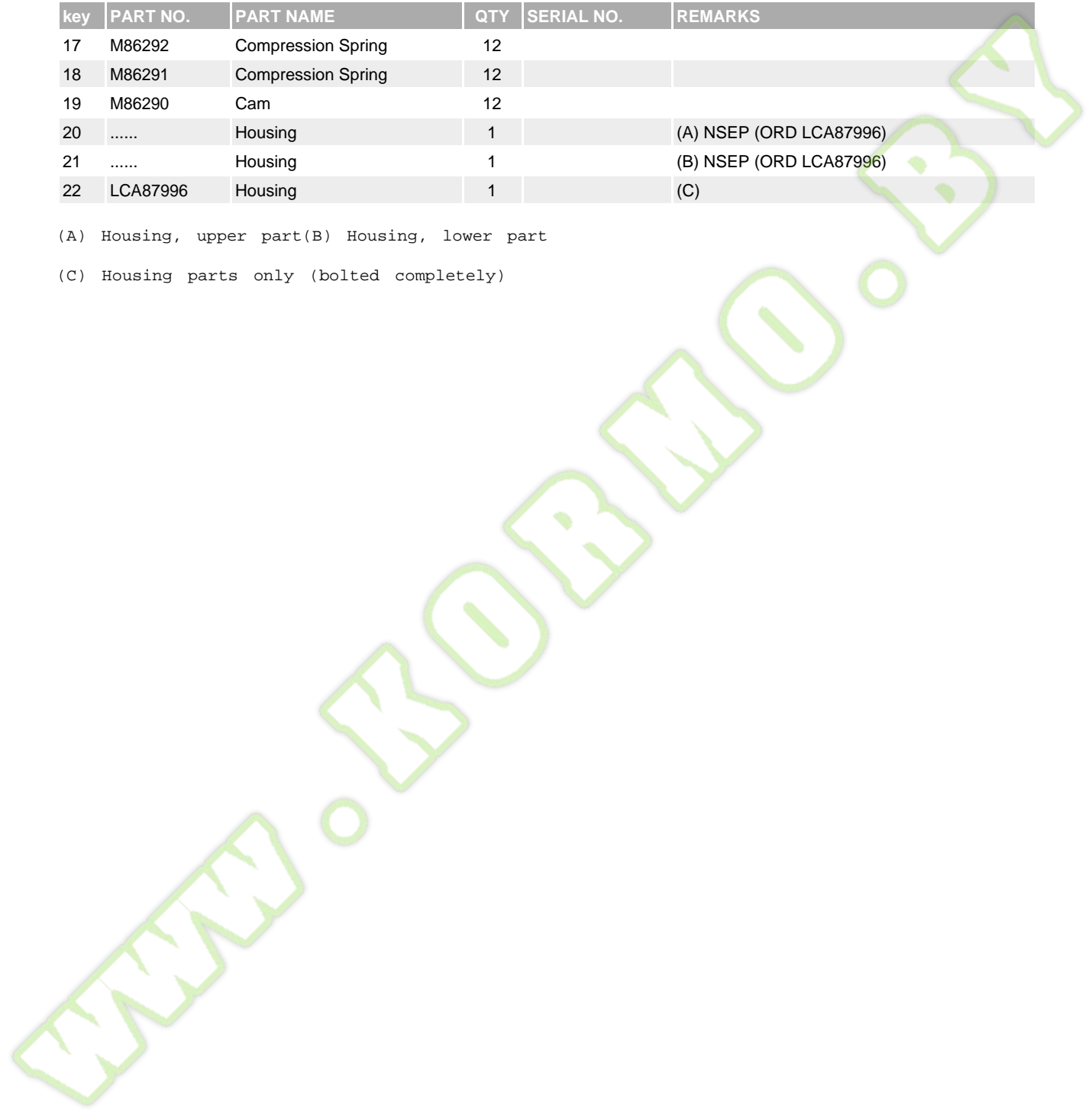
ZX035729

| key | PART NO. | PART NAME | QTY | SERIAL NO. | REMARKS |
|-----|----------|--------------|-----|------------|------------------------------|
| 1 | LCA71904 | Nut | 1 | | |
| 2 | LCA70140 | Flange | 1 | | |
| 3 | LCA71898 | Seal | 1 | | |
| 4 | 40M7115 | Snap Ring | 3 | | |
| 5 | LCA38672 | Washer | 3 | | TK = 1, 0 mm |
| 6 | 24M7164 | Shim | AR | | TK = 0, 1 mm |
| | LCA28029 | Shim | AR | | TK = 0, 3 mm |
| | LCA28030 | Shim | AR | | TK = 0, 5 mm |
| 7 | AZ18667 | Ball Bearing | 1 | | |
| 8 | LCA70199 | Shaft | 1 | | |
| key | PART NO. | PART NAME | QTY | SERIAL NO. | REMARKS |
| 9 | LCA72286 | Disk | 2 | | |
| 10 | LCA75171 | Bevel Gear | 1 | | (INCL LCA69613) |
| 11 | LCA73175 | Gear | 1 | | Z = 37, NSEP, (ORD LCA75171) |
| 12 | LCA70200 | Clutch Disk | 1 | | NSEP, (ORD LCA75171) |

| | | | | | |
|-----|----------|--------------------|-----|------------|-------------------------|
| 13 | LCA71897 | Snap Ring | 1 | | |
| 14 | JD7689 | Ball Bearing | 1 | | |
| 15 | 24M7163 | Shim | AR | | TK = 0, 1 mm |
| | 24M7157 | Shim | AR | | TK = 0, 3 mm |
| | LCA11658 | Shim | AR | | TK = 0, 5 mm |
| 16 | 40M7098 | Snap Ring | 1 | | |
| key | PART NO. | PART NAME | QTY | SERIAL NO. | REMARKS |
| 17 | M86292 | Compression Spring | 12 | | |
| 18 | M86291 | Compression Spring | 12 | | |
| 19 | M86290 | Cam | 12 | | |
| 20 | | Housing | 1 | | (A) NSEP (ORD LCA87996) |
| 21 | | Housing | 1 | | (B) NSEP (ORD LCA87996) |
| 22 | LCA87996 | Housing | 1 | | (C) |

(A) Housing, upper part (B) Housing, lower part

(C) Housing parts only (bolted completely)

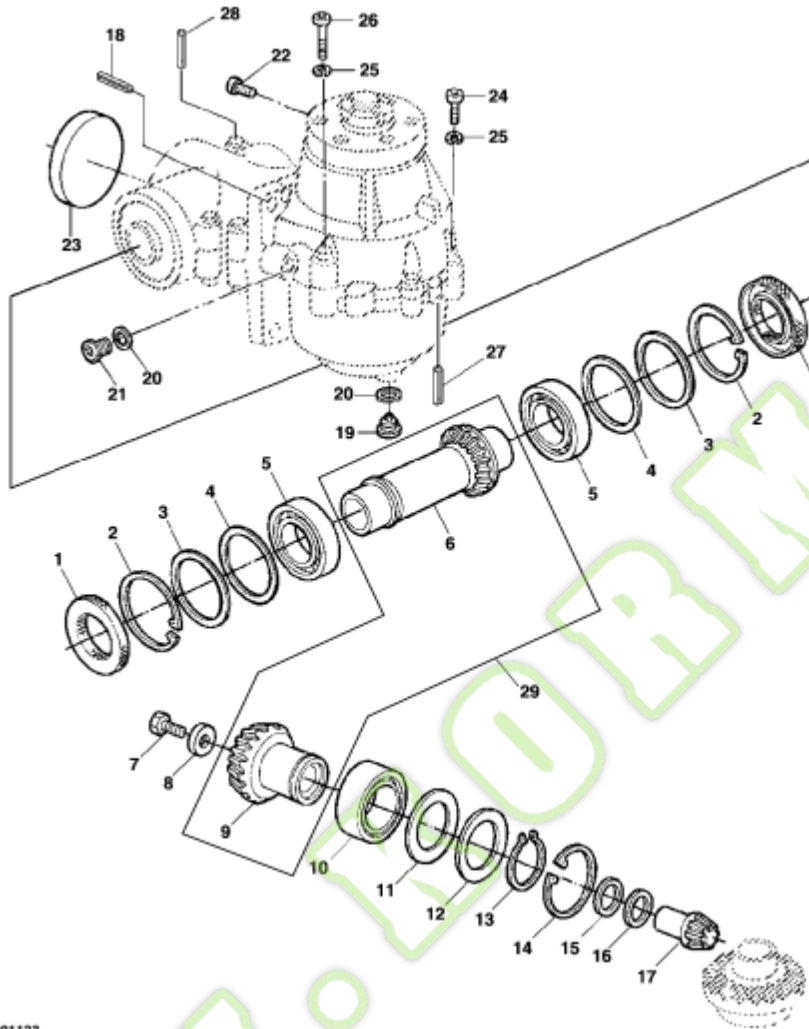


Catalog: 4711 | Grid: 0 | Section: 100 | Page: 53

Catalog Name: **360plus Rotary Harvesting Unit (European Edition)**

Page Name: **LCA70196 , LCA70197 Angle Drive For Cross Feed Drum**

Direction of Travel:



KMG01123

| key | PART NO. | PART NAME | QTY | SERIAL NO. | REMARKS |
|-----|----------|--------------|-----|------------|--------------|
| 1 | LCA65579 | Seal | 2 | | |
| 2 | 40M7115 | Snap Ring | 3 | | |
| 3 | 24M7164 | Shim | AR | | TK = 0,1 mm |
| | LCA28029 | Shim | AR | | TK = 0,3 mm |
| | LCA28030 | Shim | AR | | TK = 0,5 mm |
| 4 | LCA38672 | Washer | 3 | | TK = 1,0 mm |
| 5 | JD8568 | Ball Bearing | 2 | | |
| 6 | | Pinion | 1 | | Z = 20, NSEP |
| 7 | 19M7879 | Cap Screw | 1 | | M10 X 28 |
| 8 | LCA69618 | Washer | 1 | | |
| key | PART NO. | PART NAME | QTY | SERIAL NO. | REMARKS |
| 9 | | Bevel Gear | 1 | | Z = 24, NSEP |
| 10 | LCA27944 | Ball Bearing | 1 | | |
| 11 | 24M7154 | Shim | AR | | |



| | | | | | |
|-----|-----------|------------------|-----|------------|-----------------------------|
| | 24M7168 | Shim | AR | | TK = 0,3 mm |
| | T116939 | Shim | AR | | TK = 0,5 mm |
| 12 | 24M7586 | Washer | 1 | | 70 X 90 X 2 mm |
| 13 | LCA55575 | Snap Ring | 1 | | |
| 14 | 40M1873 | Snap Ring | 1 | | |
| 15 | LCA69622 | Washer | 1 | | |
| 16 | LCA71899 | Disk | AR | | TK = 0,1 mm |
| key | PART NO. | PART NAME | QTY | SERIAL NO. | REMARKS |
| | LCA71900 | Disk | AR | | TK = 0,3 mm |
| | 24M7169 | Shim | AR | | |
| 17 | LCA69613 | Pinion | 1 | | Z = 7, NSEP, (ORD LCA75171) |
| 18 | LCA72436 | Spring Pin | 2 | | |
| 19 | LCA66746 | Fitting Plug | 1 | | |
| 20 | 51M4236 | Sealing Ring | 3 | | |
| 21 | L41709 | Pipe Plug | 2 | | |
| 22 | LCA13976 | Bleed Valve | 1 | | |
| 23 | LCA57058 | Plug | 1 | | |
| 24 | 19M7657 | Screw | 3 | | M8 X 25 |
| key | PART NO. | PART NAME | QTY | SERIAL NO. | REMARKS |
| 25 | 12M7072 | Lock Washer | 10 | | 8.400 mm |
| 26 | 19M8300 | Screw | 7 | | M8 X 40 |
| 27 | LCA71474 | Spring Pin | 1 | | |
| 28 | LCA71476 | Spring Pin | 1 | | |
| 29 | LCA107379 | Bevel Gear Drive | 1 | | |
| 98 | LCA75171 | Bevel Gear | 1 | | KIT |

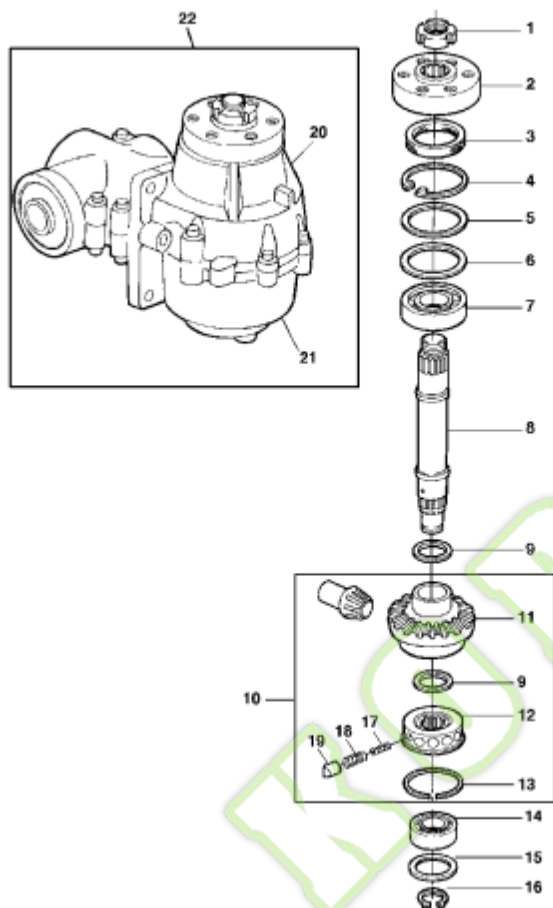
WWW.KORMO.BY

Catalog: 4711 | Grid: 0 | Section: 100 | Page: 54

Catalog Name: **360plus Rotary Harvesting Unit (European Edition)**

Page Name: **LCA75172 , LCA75173 Angle Drive For Cross Feed Drum**

Direction of Travel:



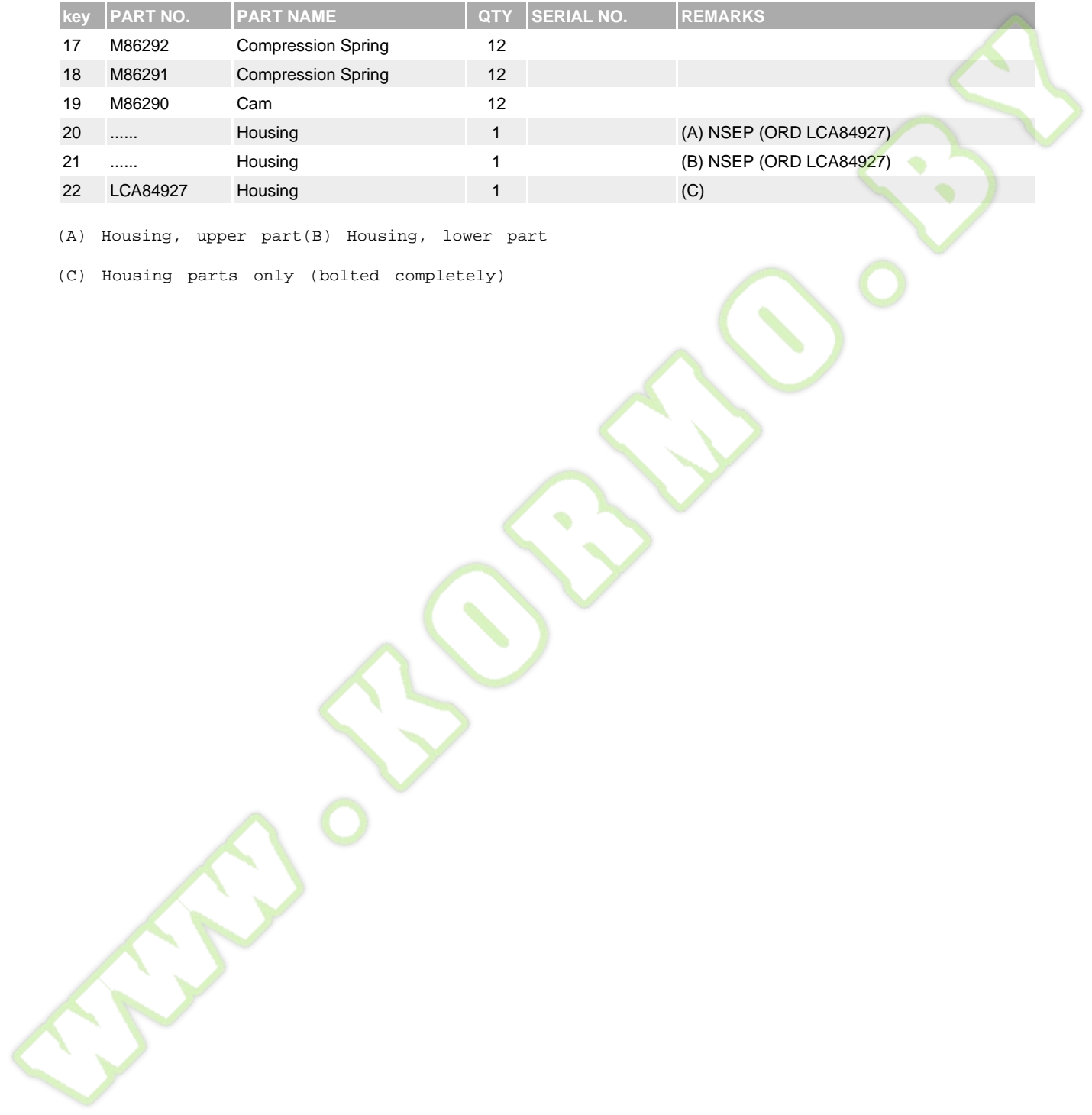
ZX035729

| key | PART NO. | PART NAME | QTY | SERIAL NO. | REMARKS |
|-----|----------|--------------|-----|------------|-----------------------------|
| 1 | LCA71904 | Nut | 1 | | |
| 2 | LCA70140 | Flange | 1 | | |
| 3 | LCA71898 | Seal | 1 | | |
| 4 | 40M7115 | Snap Ring | 3 | | |
| 5 | LCA38672 | Washer | 3 | | TK = 1, 0 mm |
| 6 | 24M7164 | Shim | AR | | TK = 0, 1 mm |
| | LCA28029 | Shim | AR | | TK = 0, 3 mm |
| | LCA28030 | Shim | AR | | TK = 0, 5 mm |
| 7 | AZ18667 | Ball Bearing | 1 | | |
| 8 | LCA70199 | Shaft | 1 | | |
| key | PART NO. | PART NAME | QTY | SERIAL NO. | REMARKS |
| 9 | LCA72286 | Disk | 2 | | |
| 10 | LCA75171 | Bevel Gear | AR | | |
| 11 | LCA73175 | Gear | 1 | | Z = 37, NSEP (ORD LCA75171) |
| 12 | LCA70200 | Clutch Disk | 1 | | NSEP (ORD LCA75171) |

| | | | | | |
|-----|----------|--------------------|-----|------------|-------------------------|
| 13 | LCA71897 | Snap Ring | 1 | | |
| 14 | JD7689 | Ball Bearing | 1 | | |
| 15 | 24M7163 | Shim | AR | | TK = 0, 1 mm |
| | 24M7157 | Shim | AR | | TK = 0, 3 mm |
| | LCA11658 | Shim | AR | | TK = 0, 5 mm |
| 16 | 40M7098 | Snap Ring | 1 | | |
| key | PART NO. | PART NAME | QTY | SERIAL NO. | REMARKS |
| 17 | M86292 | Compression Spring | 12 | | |
| 18 | M86291 | Compression Spring | 12 | | |
| 19 | M86290 | Cam | 12 | | |
| 20 | | Housing | 1 | | (A) NSEP (ORD LCA84927) |
| 21 | | Housing | 1 | | (B) NSEP (ORD LCA84927) |
| 22 | LCA84927 | Housing | 1 | | (C) |

(A) Housing, upper part (B) Housing, lower part

(C) Housing parts only (bolted completely)

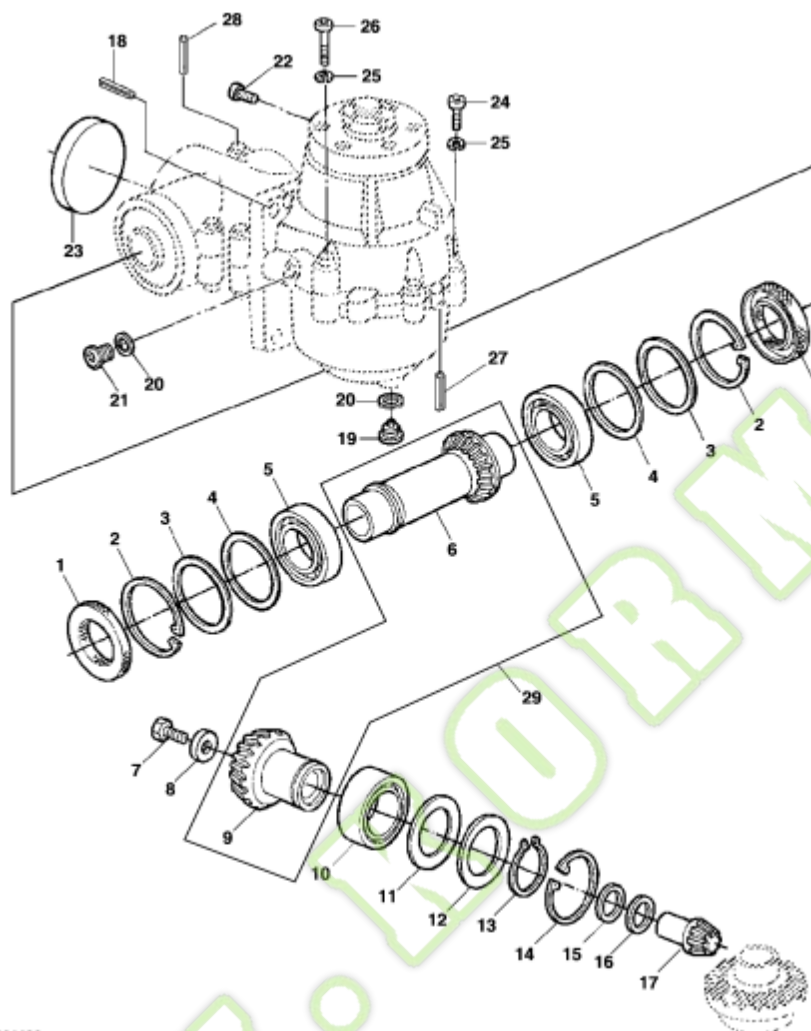


Catalog: 4711 | Grid: 0 | Section: 100 | Page: 55

Catalog Name: **360plus Rotary Harvesting Unit (European Edition)**

Page Name: **LCA75172 , LCA75173 Angle Drive For Cross Feed Drum**

Direction of Travel:



KMG01123

| key | PART NO. | PART NAME | QTY | SERIAL NO. | REMARKS |
|-----|----------|--------------|-----|------------|--------------|
| 1 | LCA65579 | Seal | 2 | | |
| 2 | 40M7115 | Snap Ring | 3 | | |
| 3 | 24M7164 | Shim | AR | | TK = 0,1 mm |
| | LCA28029 | Shim | AR | | TK = 0,3 mm |
| | LCA28030 | Shim | AR | | TK = 0,5 mm |
| 4 | LCA38672 | Washer | 3 | | TK = 1,0 mm |
| 5 | JD8568 | Ball Bearing | 2 | | |
| 6 | | Pinion | 1 | | Z = 20, NSEP |
| 7 | 19M7879 | Cap Screw | 1 | | M10 X 28 |
| 8 | LCA69618 | Washer | 1 | | |
| key | PART NO. | PART NAME | QTY | SERIAL NO. | REMARKS |
| 9 | | Bevel Gear | 1 | | Z = 24, NSEP |
| 10 | LCA27944 | Ball Bearing | 1 | | |
| 11 | 24M7154 | Shim | AR | | |



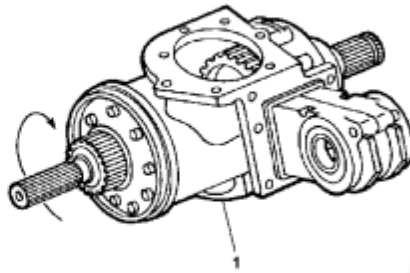
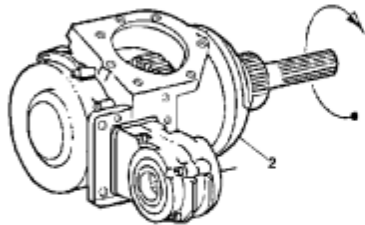
| | | | | | |
|-----|-----------|------------------|-----|------------|-----------------------------|
| | 24M7168 | Shim | AR | | TK = 0,3 mm |
| | T116939 | Shim | AR | | TK = 0,5 mm |
| 12 | 24M7586 | Washer | 1 | | 70 X 90 X 2 mm |
| 13 | LCA55575 | Snap Ring | 1 | | |
| 14 | 40M1873 | Snap Ring | 1 | | |
| 15 | LCA69622 | Washer | 1 | | |
| 16 | LCA71899 | Disk | AR | | TK = 0,1 mm |
| key | PART NO. | PART NAME | QTY | SERIAL NO. | REMARKS |
| | LCA71900 | Disk | AR | | TK = 0,3 mm |
| | 24M7169 | Shim | AR | | |
| 17 | LCA69613 | Pinion | 1 | | Z = 7, NSEP, (ORD LCA75171) |
| 18 | LCA72291 | Spring Pin | 2 | | |
| 19 | LCA66746 | Fitting Plug | 1 | | |
| 20 | 51M4236 | Sealing Ring | 3 | | |
| 21 | L41709 | Pipe Plug | 2 | | |
| 22 | LCA13976 | Bleed Valve | 1 | | |
| 23 | LCA57058 | Plug | 1 | | |
| 24 | 19M7657 | Screw | 3 | | M8 X 25 |
| key | PART NO. | PART NAME | QTY | SERIAL NO. | REMARKS |
| 25 | 12M7072 | Lock Washer | 10 | | 8.400 mm |
| 26 | 19M8300 | Screw | 7 | | M8 X 40 |
| 27 | LCA71474 | Spring Pin | 1 | | |
| 28 | LCA71476 | Spring Pin | 1 | | |
| 29 | LCA107379 | Bevel Gear Drive | 1 | | |
| 98 | LCA75171 | Bevel Gear | 1 | | KIT |

WWW.KORMO.BY

Catalog: 4711 | Grid: 0 | Section: 100 | Page: 56

Catalog Name: **360plus Rotary Harvesting Unit (European Edition)**

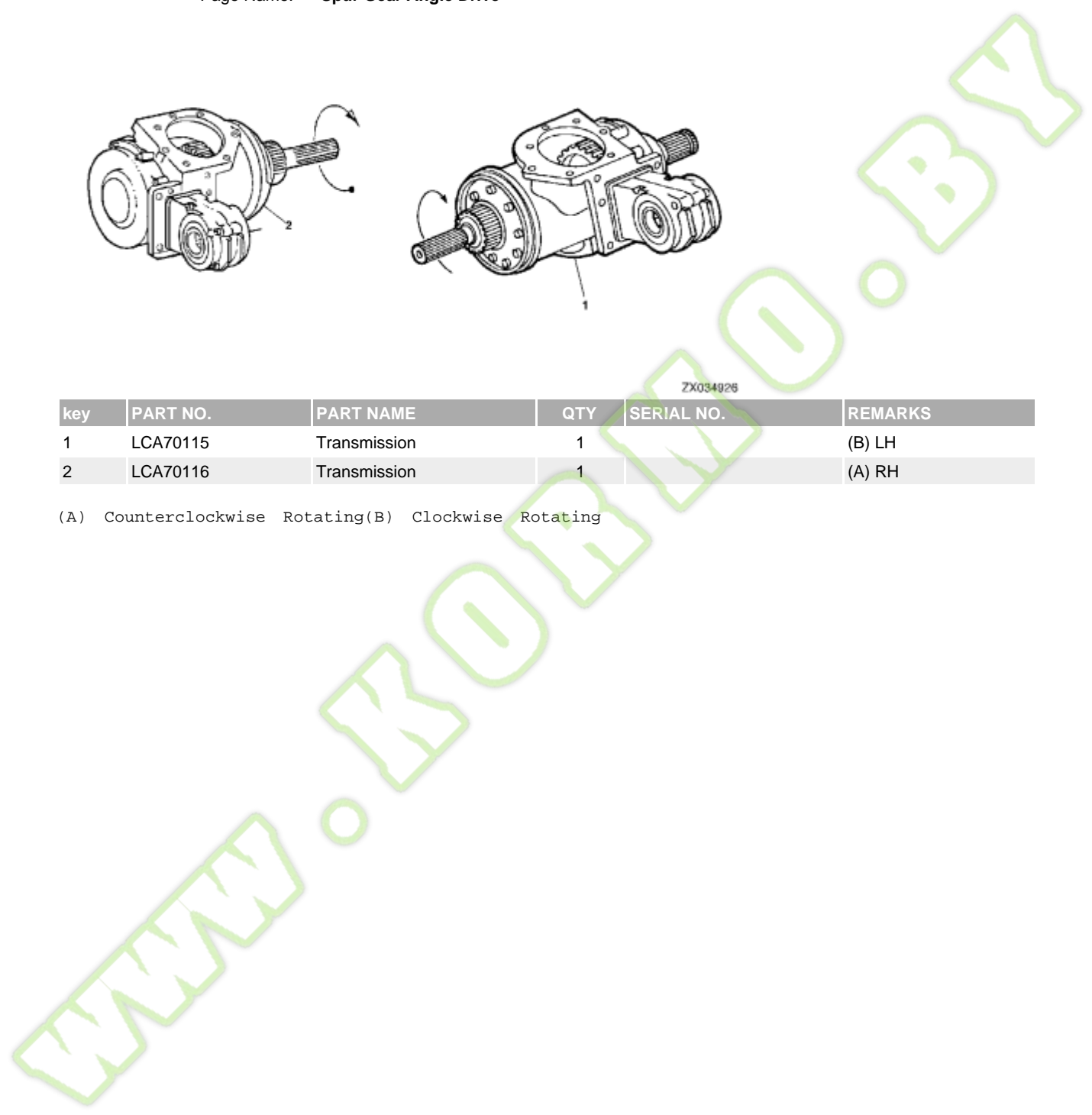
Page Name: **Spur Gear Angle Drive**



ZX034926

| key | PART NO. | PART NAME | QTY | SERIAL NO. | REMARKS |
|-----|----------|--------------|-----|------------|---------|
| 1 | LCA70115 | Transmission | 1 | | (B) LH |
| 2 | LCA70116 | Transmission | 1 | | (A) RH |

(A) Counterclockwise Rotating (B) Clockwise Rotating

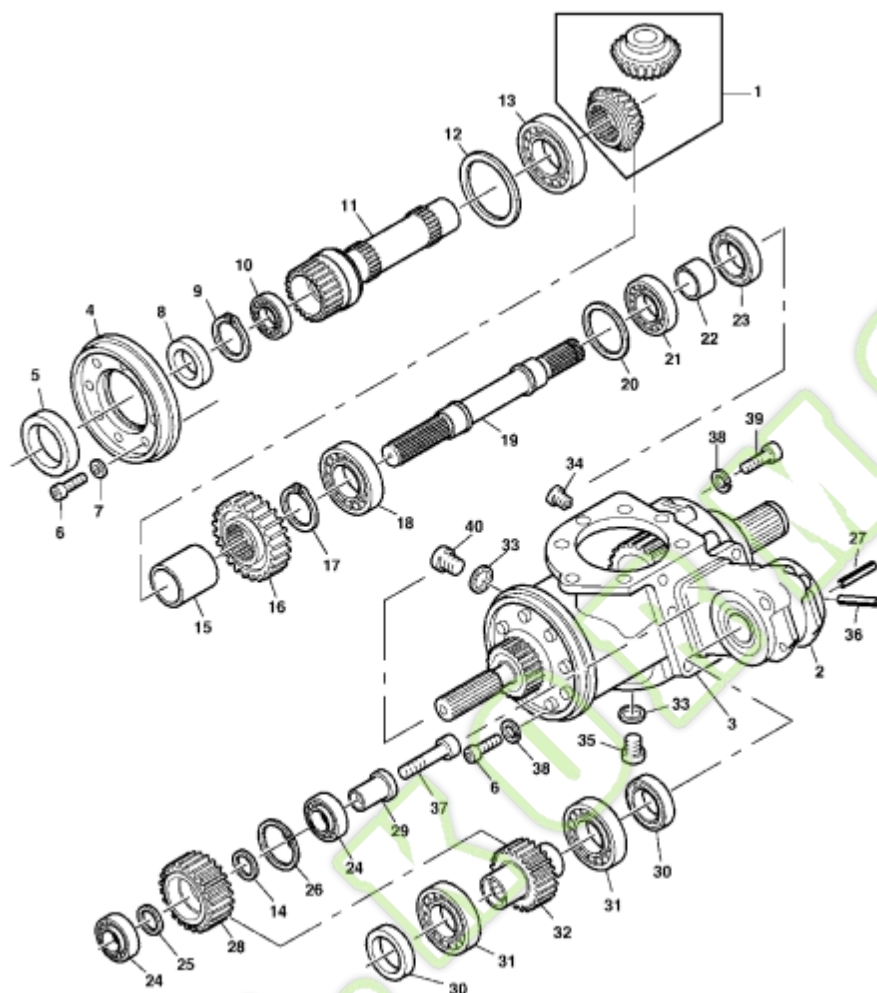


Catalog: 4711 | Grid: 0 | Section: 100 | Page: 57

Catalog Name: **360plus Rotary Harvesting Unit (European Edition)**

Page Name: **Spur Gear Angle Drive For Main Drive, LH**

Direction of Travel:



KM000654

| key | PART NO. | PART NAME | QTY | SERIAL NO. | REMARKS |
|-----|----------|-------------------|-----|------------|--------------|
| 1 | LCA94036 | Bevel Gear Drive | 1 | | |
| 2 | LCA70117 | Transmission Case | 1 | | |
| 3 | LCA70118 | Transmission Case | 1 | | |
| 4 | LCA70124 | Cover | 1 | | |
| 5 | LCA72320 | Seal | 1 | | |
| 6 | LCA66744 | Socket Head Screw | AR | | |
| 7 | 12M7072 | Lock Washer | 19 | | 8.400 mm |
| 8 | LCA10659 | Seal | 1 | | |
| 9 | 40M7090 | Snap Ring | 1 | | |
| 10 | JD8514 | Ball Bearing | 1 | | |
| key | PART NO. | PART NAME | QTY | SERIAL NO. | REMARKS |
| 11 | LCA70130 | Bushing | 1 | | |
| 12 | 24M7165 | Shim | 1 | | TK = 0, 1 mm |
| | 24M7575 | Shim | 1 | | TK = 0, 3 mm |
| | LCA62761 | Shim | AR | | TK = 0, 5 mm |

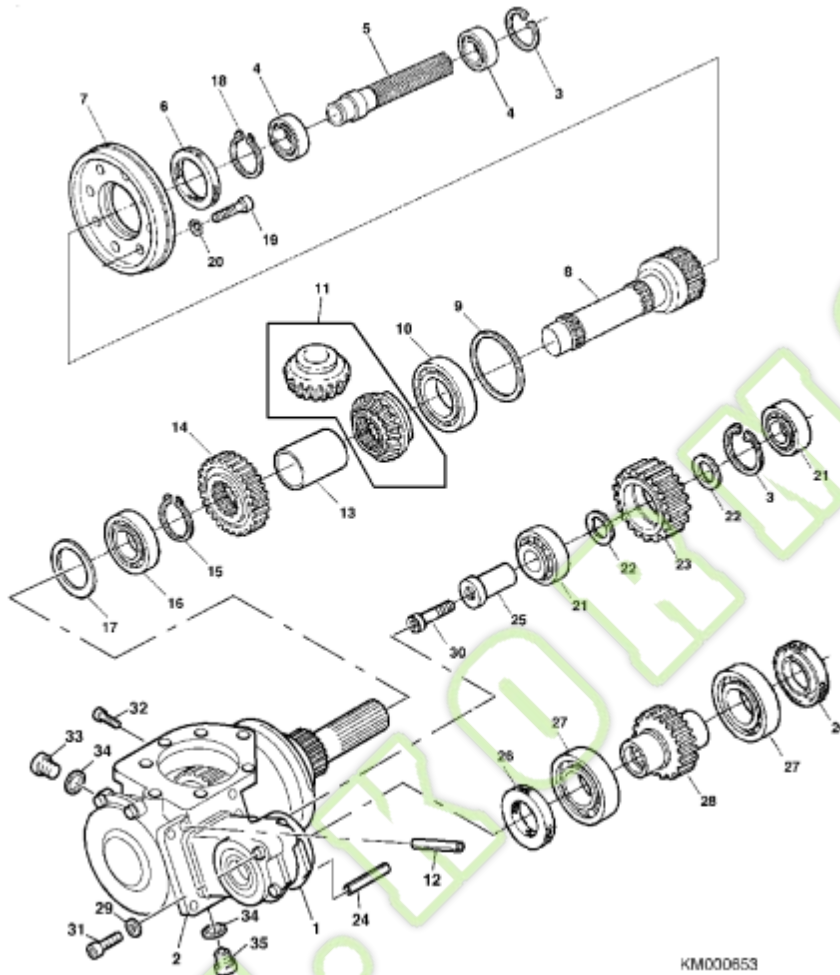
| 13 | JD8537 | Ball Bearing | 1 | | |
|-----|----------|------------------------|-----|------------|--------------|
| 14 | LCA69673 | Disk | 1 | | |
| 15 | LCA70129 | Bushing | 1 | | |
| 16 | LCA70128 | Gear | 1 | | Z = 32 |
| 17 | 40M7066 | Snap Ring | 1 | | |
| 18 | JD9292 | Ball Bearing | 1 | | |
| key | PART NO. | PART NAME | QTY | SERIAL NO. | REMARKS |
| 19 | LCA70119 | Shaft | 1 | | |
| 20 | 24M7154 | Shim | AR | | TK = 0, 1mm |
| | 24M7168 | Shim | AR | | TK = 0, 3 mm |
| | T116939 | Shim | AR | | TK = 0, 5 mm |
| 21 | JD9345 | Ball Bearing | 1 | | |
| 22 | LCA57939 | Bearing Race | 1 | | |
| 23 | 48M7061 | Seal | 1 | | |
| 24 | JD10234 | Tapered Roller Bearing | 2 | | |
| 25 | LCA69672 | Washer | AR | | TK = 2, 5 mm |
| 26 | 40M7043 | Snap Ring | 1 | | |
| key | PART NO. | PART NAME | QTY | SERIAL NO. | REMARKS |
| 27 | 34M7047 | Spring Pin | 2 | | 8 X 40 mm |
| 28 | LCA69633 | Gear | 1 | | Z = 22 |
| 29 | LCA69636 | Pin Fastener | 1 | | |
| 30 | LCA67046 | Seal | 2 | | |
| 31 | JD9279 | Ball Bearing | 2 | | |
| 32 | LCA69634 | Gear | 1 | | Z = 23 |
| 33 | 51M4244 | Sealing Ring | 2 | | |
| 34 | LCA13976 | Bleed Valve | 1 | | |
| 35 | LCA65879 | Fitting Plug | 1 | | |
| 36 | LCA72291 | Spring Pin | 2 | | |
| key | PART NO. | PART NAME | QTY | SERIAL NO. | REMARKS |
| 37 | 19M8405 | Screw | 1 | | M8 X 70 |
| 38 | 12M7072 | Lock Washer | 19 | | 8.400 mm |
| 39 | 19M8300 | Screw | 11 | | M8 X 40 |
| 40 | 15M7077 | Drain Plug | 1 | | |

Catalog: 4711 | Grid: 0 | Section: 100 | Page: 58

Catalog Name: **360plus Rotary Harvesting Unit (European Edition)**

Page Name: **Spur Gear Angle Drive For Main Drive, RH**

Direction of Travel:

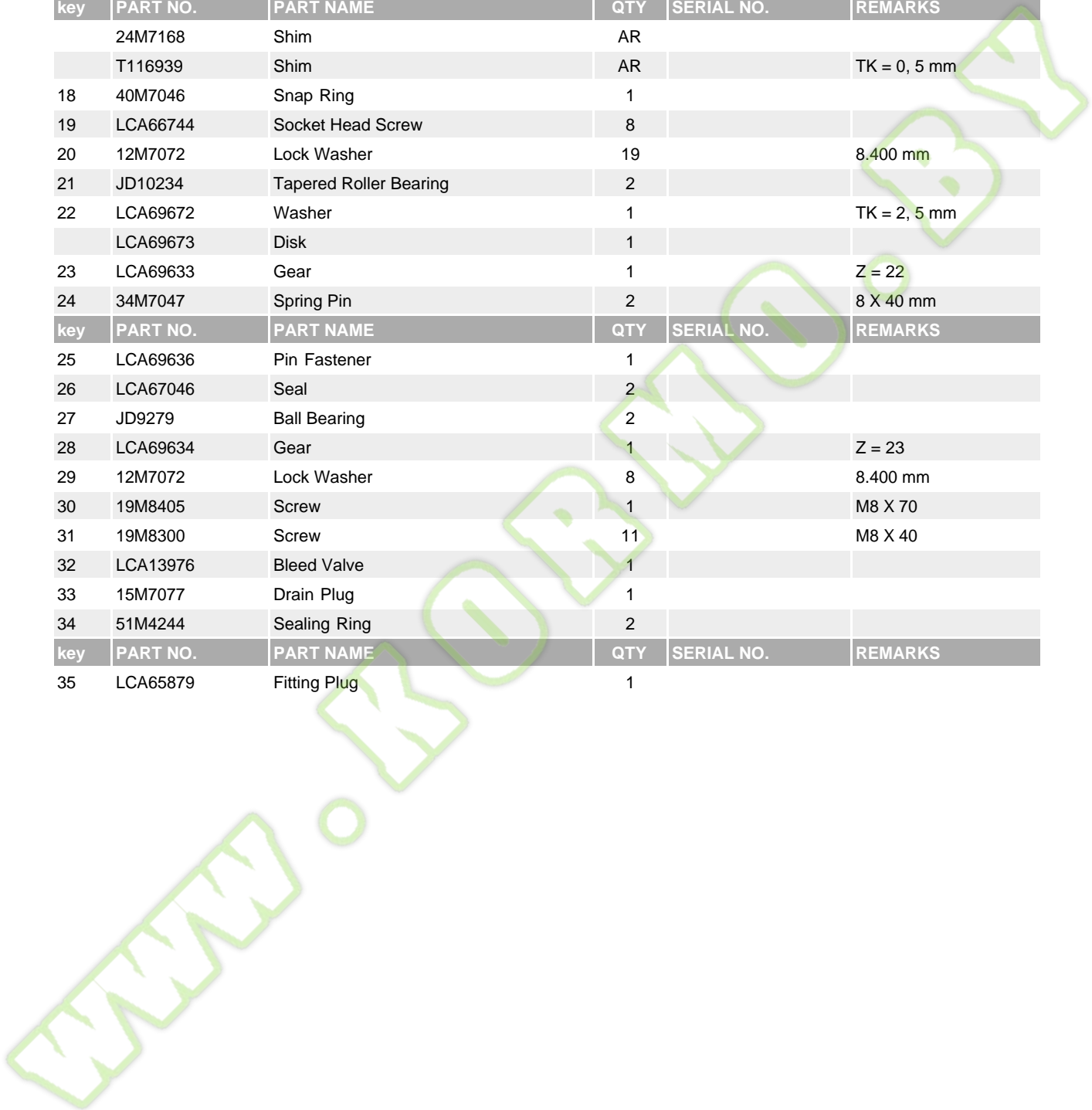


KM000853

| key | PART NO. | PART NAME | QTY | SERIAL NO. | REMARKS |
|-----|----------|------------------|-----|------------|--------------|
| 1 | LCA70133 | Case | 1 | | |
| 2 | LCA70134 | Case | 1 | | |
| 3 | 40M7043 | Snap Ring | 2 | | |
| 4 | JD9323 | Ball Bearing | 2 | | |
| 5 | LCA70122 | Shaft | 1 | | |
| 6 | LCA72320 | Seal | 1 | | |
| 7 | LCA70124 | Cover | 1 | | |
| 8 | LCA70120 | Shaft | 1 | | |
| 9 | 24M7165 | Shim | AR | | TK = 0, 1 mm |
| | 24M7575 | Shim | AR | | TK = 0, 3 mm |
| key | PART NO. | PART NAME | QTY | SERIAL NO. | REMARKS |
| | LCA62761 | Shim | AR | | TK = 0, 5 mm |
| 10 | JD8537 | Ball Bearing | 1 | | |
| 11 | LCA94036 | Bevel Gear Drive | 1 | | |
| 12 | LCA72436 | Spring Pin | 2 | | 10x20 mm |



| | | | | | |
|-----|----------|------------------------|-----|------------|--------------|
| | LCA72291 | Spring Pin | 2 | | |
| 13 | LCA70129 | Bushing | 1 | | |
| 14 | LCA70128 | Gear | 1 | | Z = 32 |
| 15 | 40M7066 | Snap Ring | 1 | | |
| 16 | JD9292 | Ball Bearing | 1 | | |
| 17 | 24M7154 | Shim | AR | | |
| key | PART NO. | PART NAME | QTY | SERIAL NO. | REMARKS |
| | 24M7168 | Shim | AR | | |
| | T116939 | Shim | AR | | TK = 0, 5 mm |
| 18 | 40M7046 | Snap Ring | 1 | | |
| 19 | LCA66744 | Socket Head Screw | 8 | | |
| 20 | 12M7072 | Lock Washer | 19 | | 8.400 mm |
| 21 | JD10234 | Tapered Roller Bearing | 2 | | |
| 22 | LCA69672 | Washer | 1 | | TK = 2, 5 mm |
| | LCA69673 | Disk | 1 | | |
| 23 | LCA69633 | Gear | 1 | | Z = 22 |
| 24 | 34M7047 | Spring Pin | 2 | | 8 X 40 mm |
| key | PART NO. | PART NAME | QTY | SERIAL NO. | REMARKS |
| 25 | LCA69636 | Pin Fastener | 1 | | |
| 26 | LCA67046 | Seal | 2 | | |
| 27 | JD9279 | Ball Bearing | 2 | | |
| 28 | LCA69634 | Gear | 1 | | Z = 23 |
| 29 | 12M7072 | Lock Washer | 8 | | 8.400 mm |
| 30 | 19M8405 | Screw | 1 | | M8 X 70 |
| 31 | 19M8300 | Screw | 11 | | M8 X 40 |
| 32 | LCA13976 | Bleed Valve | 1 | | |
| 33 | 15M7077 | Drain Plug | 1 | | |
| 34 | 51M4244 | Sealing Ring | 2 | | |
| key | PART NO. | PART NAME | QTY | SERIAL NO. | REMARKS |
| 35 | LCA65879 | Fitting Plug | 1 | | |

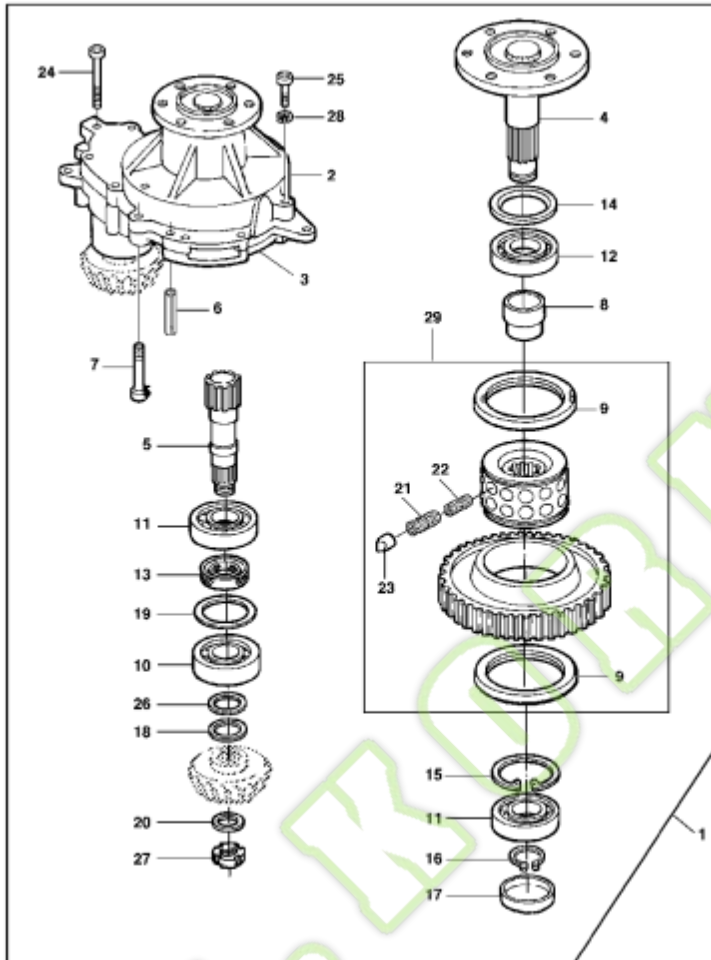


Catalog: 4711 | Grid: 0 | Section: 100 | Page: 59

Catalog Name: **360plus Rotary Harvesting Unit (European Edition)**

Page Name: **Spur Gear Transmission**

Direction of Travel:



ZX035248

| key | PART NO. | PART NAME | QTY | SERIAL NO. | REMARKS |
|-----|----------|---------------------------|-----|------------|-----------|
| 1 | LCA98481 | Parallel Shaft Gear Drive | 1 | | |
| 2 | LCA98484 | Transmission Case | 1 | | |
| 3 | LCA67452 | Transmission Case | 1 | | |
| 4 | LCA98482 | Shaft | 1 | | |
| 5 | LCA69624 | Shaft | 1 | | |
| 6 | 34M7124 | Spring Pin | 2 | | 8 X 30 mm |
| 7 | 19M8274 | Screw | 2 | | M8 X 35 |
| 8 | LCA98483 | Bushing | 1 | | |
| 9 | LCA75165 | Nut | 2 | | |
| 10 | LCA40379 | Ball Bearing | 1 | | |
| key | PART NO. | PART NAME | QTY | SERIAL NO. | REMARKS |
| 11 | JD8518 | Ball Bearing | 2 | | |
| 12 | CH11557 | Ball Bearing | 1 | | |
| 13 | LCA35800 | Seal | 1 | | |
| 14 | LCA50094 | Sealing Washer | 1 | | |

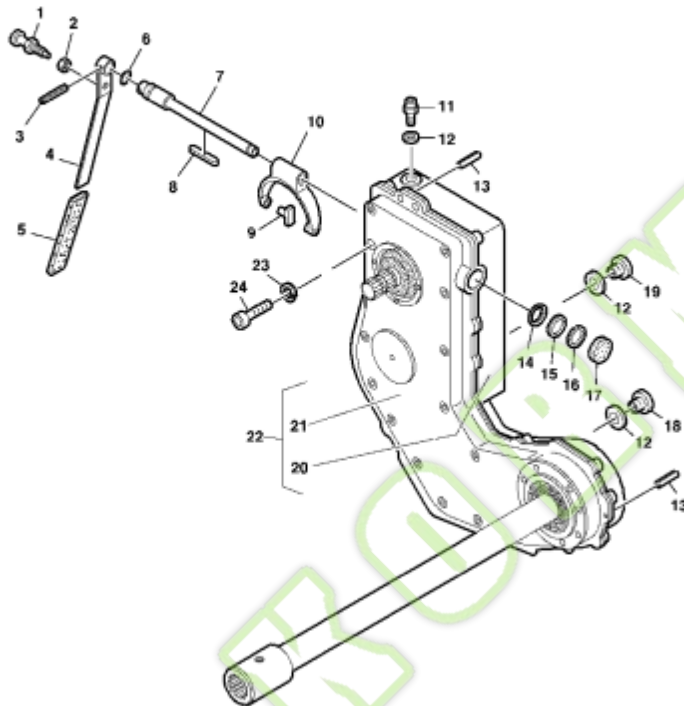
| 15 | 40M7115 | Snap Ring | 1 | | |
|-----|----------|---------------------------|-----|------------|----------------|
| 16 | 40M7109 | Snap Ring | 1 | | |
| 17 | LCA61391 | Cap | 1 | | |
| 18 | 24M7305 | Shim | AR | | TK = 0, 1 mm |
| | 24M7304 | Shim | AR | | TK = 0, 3 mm |
| | 24M7199 | Shim | AR | | |
| key | PART NO. | PART NAME | QTY | SERIAL NO. | REMARKS |
| 19 | CH14626 | Washer | AR | | TK = 1, 0 mm |
| 20 | 24M7375 | Washer | 1 | | 25 X 36 X 2 mm |
| 21 | M86291 | Compression Spring | 24 | | |
| 22 | M86292 | Compression Spring | 24 | | |
| 23 | M86290 | Cam | 24 | | |
| 24 | 19M8405 | Screw | 5 | | M8 X 70 |
| 25 | 19M7657 | Screw | 7 | | M8 X 25 |
| 26 | 24M7303 | Washer | 1 | | 30 X 42 X 1 mm |
| 27 | LCA29076 | Nut | 1 | | |
| 28 | 12M7072 | Lock Washer | 7 | | 8.400 mm |
| key | PART NO. | PART NAME | QTY | SERIAL NO. | REMARKS |
| 29 | LCA75168 | Parallel Shaft Gear Drive | 1 | | |

Catalog: 4711 | Grid: 0 | Section: 100 | Page: 60

Catalog Name: **360plus Rotary Harvesting Unit (European Edition)**

Page Name: **Transmission (Linkage, Small Parts)**

Direction of Travel:



ZX034774

| key | PART NO. | PART NAME | QTY | SERIAL NO. | REMARKS |
|-----|----------|-----------------|-----|------------|------------|
| 1 | LCA69390 | Arrestor | 1 | | |
| 2 | 14M7158 | Nut | 1 | | M16 |
| 3 | 34M7217 | Spring Pin | 1 | | 8 X 35 mm |
| 4 | LCA69421 | Gearshift Lever | 1 | | |
| 5 | LCA69391 | Grip | 1 | | |
| 6 | T24210 | O-Ring | 1 | | |
| 7 | LCA81869 | Shifter Rod | 1 | | |
| 8 | LCA69388 | Shaft Key | 1 | | |
| 9 | LCA69420 | Quadrant | 2 | | |
| 10 | LCA81870 | Shifter | 1 | | |
| key | PART NO. | PART NAME | QTY | SERIAL NO. | REMARKS |
| 11 | LCA55581 | Bleed Valve | 1 | | |
| 12 | 51M4240 | Sealing Ring | 3 | | |
| 13 | 34M7053 | Spring Pin | 3 | | 10 X 40 mm |
| 14 | 24M7155 | Shim | 2 | | |

| | | | | | |
|-----|----------|--------------|-----|------------|----------|
| 15 | 24M7258 | Shim | 2 | | |
| 16 | 40M7269 | Snap Ring | 1 | | |
| 17 | LCA69387 | Cap | 1 | | |
| 18 | LCA63274 | Fitting Plug | 1 | | |
| 19 | 15M7025 | Drain Plug | 1 | | |
| 20 | LCA84484 | Gear Case | 1 | | |
| key | PART NO. | PART NAME | QTY | SERIAL NO. | REMARKS |
| 21 | LCA84483 | Gear Case | 1 | | |
| 22 | LCA92431 | Transmission | 1 | | |
| 23 | 12M7072 | Lock Washer | AR | | 8.400 mm |
| 24 | 19M8300 | Screw | 23 | | M8 X 40 |

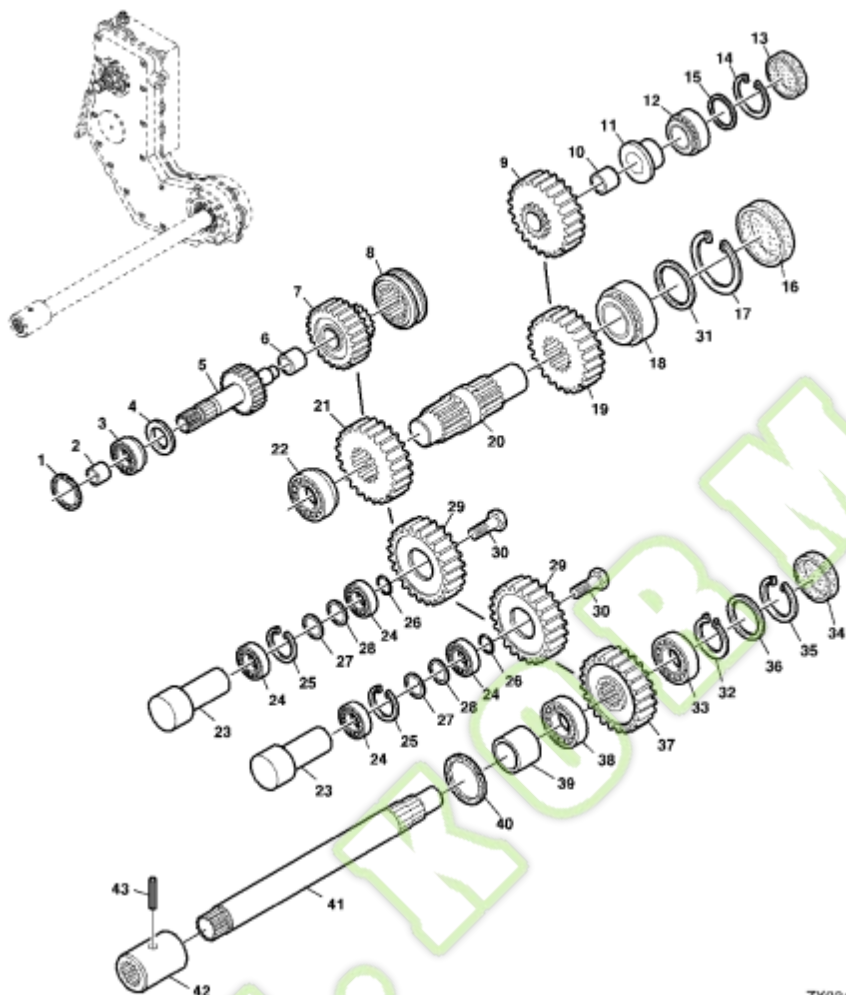
WWW.KORMO.BY

Catalog: 4711 | Grid: 0 | Section: 100 | Page: 61

Catalog Name: **360plus Rotary Harvesting Unit (European Edition)**

Page Name: **Transmission (Transmission Parts)**

Direction of Travel:



ZX034825

| key | PART NO. | PART NAME | QTY | SERIAL NO. | REMARKS |
|-----|-----------|------------------------|-----|------------|---------|
| 1 | LCA104039 | Seal | 1 | | |
| 2 | LCA83049 | Bearing Race | 1 | | |
| 3 | JD37071 | Tapered Roller Bearing | 1 | | |
| 4 | LCA81866 | Thrust Washer | 1 | | |
| 5 | LCA81856 | Shaft | 1 | | |
| 6 | LCA83080 | Bushing | 1 | | |
| 7 | LCA81857 | Spur Gear | 1 | | Z = 20 |
| 8 | LCA81867 | Shift Collar | 1 | | |
| 9 | LCA92422 | Spur Gear | 1 | | |
| 10 | LCA83079 | Bushing | 1 | | |
| key | PART NO. | PART NAME | QTY | SERIAL NO. | REMARKS |
| 11 | LCA81868 | Bushing | 1 | | |
| 12 | JD37087 | Tapered Roller Bearing | 1 | | |
| 13 | LCA83053 | Cap | 1 | | |
| 14 | 40M1873 | Snap Ring | 1 | | |

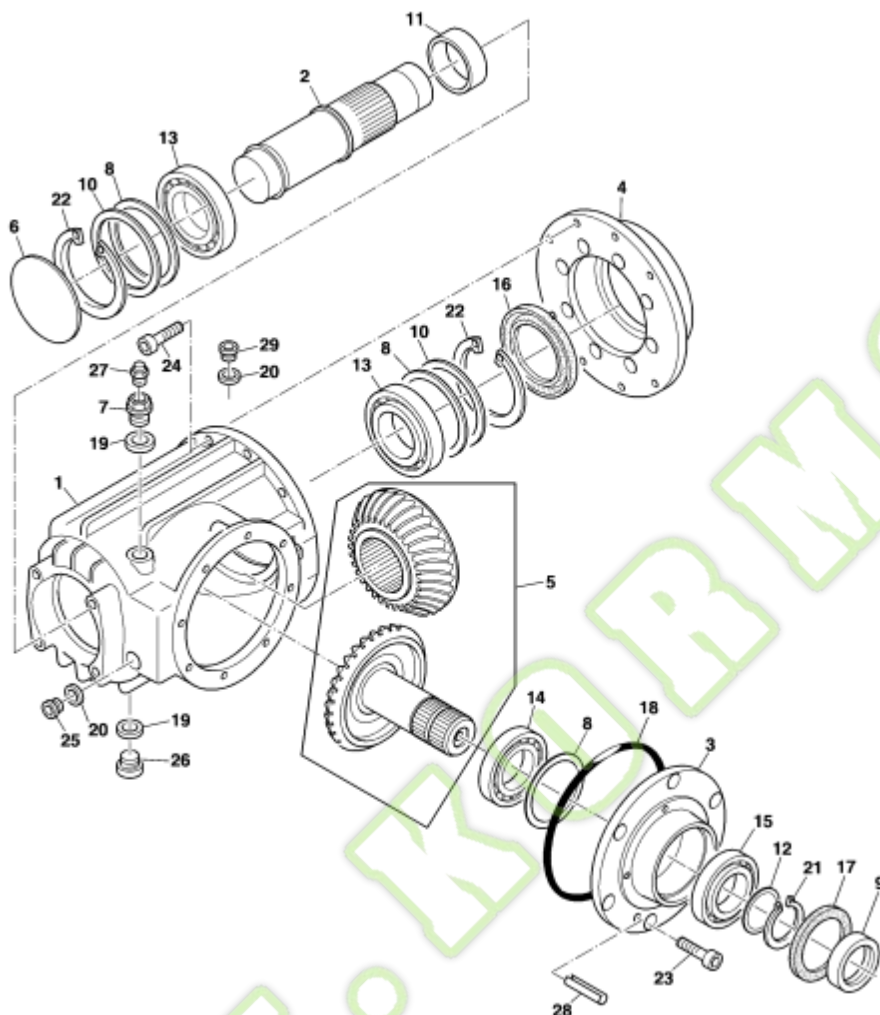
| | | | | | |
|------------|-----------------|------------------------|------------|-------------------|----------------|
| 15 | 24M7154 | Shim | 2 | | |
| | 24M7168 | Shim | 1 | | TK = 0,3 mm |
| | T116939 | Shim | 1 | | TK = 0,5 mm |
| 16 | LCA83054 | Cap | 1 | | |
| 17 | 40M7045 | Snap Ring | 1 | | |
| 18 | CH16496 | Tapered Roller Bearing | 1 | | |
| key | PART NO. | PART NAME | QTY | SERIAL NO. | REMARKS |
| 19 | LCA92423 | Spur Gear | 1 | | |
| 20 | LCA81861 | Shaft | 1 | | |
| 21 | LCA81858 | Spur Gear | 1 | | Z = 28 |
| 22 | JD37116 | Tapered Roller Bearing | 1 | | |
| 23 | LCA81863 | Shaft | 2 | | |
| 24 | JD37058 | Bearing Cone | 4 | | |
| 25 | 40M1872 | Snap Ring | 2 | | |
| 26 | LCA83059 | O-Ring | 2 | | |
| 27 | LCA55476 | Shim | 2 | | |
| 28 | 24M7335 | Washer | 4 | | 45 X 55 X 3 mm |
| key | PART NO. | PART NAME | QTY | SERIAL NO. | REMARKS |
| 29 | LCA81862 | Spur Gear | 2 | | Z = 23 |
| 30 | 19M7402 | Cap Screw | 2 | | M10 X 25 |
| 31 | LCA97459 | Shim | 2 | | TK = 0,1 mm |
| | LCA97458 | Shim | 1 | | TK = 0,3 mm |
| | LCA97457 | Shim | 1 | | TK = 0,5 mm |
| 32 | 40M7109 | Snap Ring | 1 | | |
| 33 | AW27510 | Tapered Roller Bearing | 1 | | |
| 34 | LCA69386 | Cap | 1 | | |
| 35 | 40M7115 | Snap Ring | 1 | | |
| 36 | 24M7164 | Shim | 2 | | TK = 0,1 mm |
| key | PART NO. | PART NAME | QTY | SERIAL NO. | REMARKS |
| | LCA28030 | Shim | 1 | | TK = 0,3 mm |
| | LCA55473 | Shim | 1 | | TK = 0,5 mm |
| 37 | LCA81864 | Spur Gear | 1 | | Z = 20 |
| 38 | JD37049 | Tapered Roller Bearing | 1 | | |
| 39 | LCA83048 | Bearing Race | 1 | | |
| 40 | LCA104040 | Seal | 1 | | |
| 41 | LCA81865 | Shaft | 1 | | |
| 42 | LCA62698 | Bushing | 1 | | |
| 43 | 34M7049 | Spring Pin | 1 | | 8 X 50 mm |

Catalog: 4711 | Grid: 0 | Section: 100 | Page: 62

Catalog Name: **360plus Rotary Harvesting Unit (European Edition)**

Page Name: **Angle Drive for 8000 Series SPFH**

Direction of Travel:



KM001553

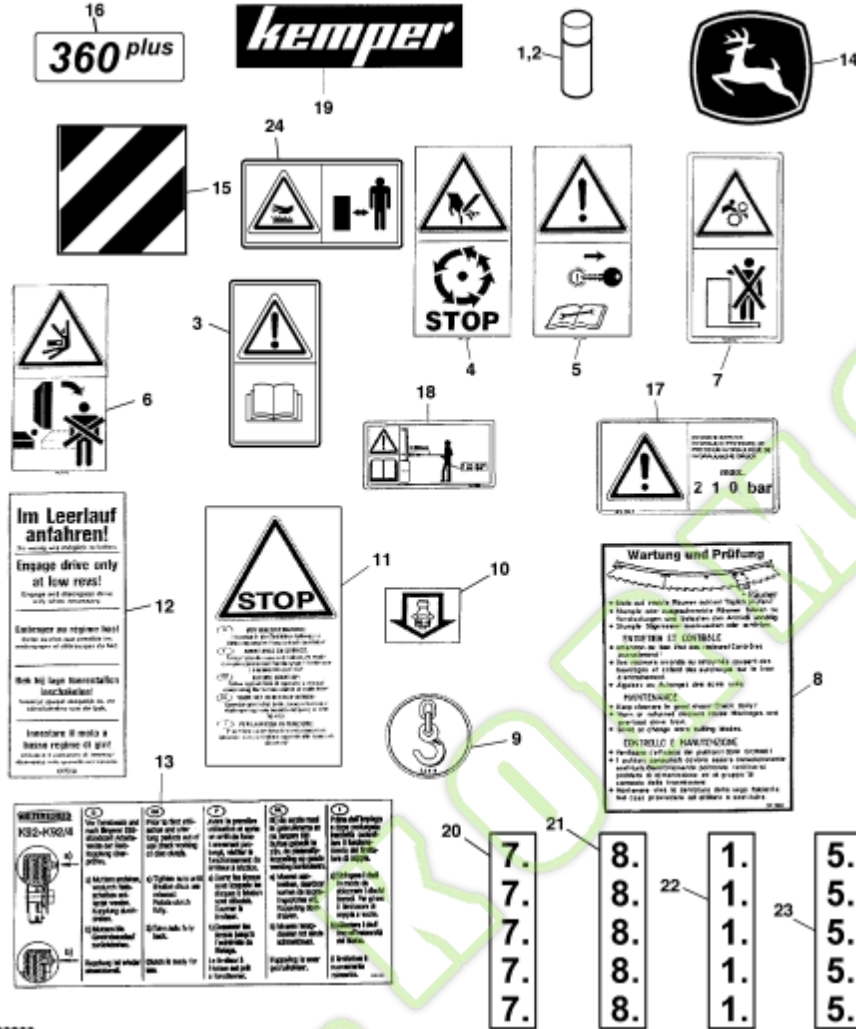
| key | PART NO. | PART NAME | QTY | SERIAL NO. | REMARKS |
|-----|-----------|-------------------------|-----|------------|---------|
| 1 | LCA107346 | Gear Case | 1 | | |
| 2 | LCA107347 | Shaft | 1 | | |
| 3 | LCA107350 | Pressed Flanged Housing | 1 | | |
| 4 | LCA106289 | Flange | 1 | | |
| 5 | LCA109430 | Bevel Gear Drive | 1 | | |
| 6 | LCA69385 | Cap | 1 | | |
| 7 | LCA86768 | Fitting Plug | 1 | | |
| 8 | LCA109433 | Washer | 3 | | |
| 9 | LCA98512 | Bearing Race | 1 | | |
| 10 | CC24982 | Washer | 2 | | |
| key | PART NO. | PART NAME | QTY | SERIAL NO. | REMARKS |
| 11 | LCA62687 | Bushing | 1 | | |
| 12 | LCA75142 | Washer | 1 | | |
| 13 | JD37093 | Tapered Roller Bearing | 2 | | |

| 14 | LCA75900 | Tapered Roller Bearing | 1 | | |
|-----|----------|------------------------|-----|------------|-----------|
| 15 | JD37058 | Bearing Cone | 1 | | |
| 16 | LCA66749 | Seal | 1 | | |
| 17 | AT139920 | Seal | 1 | | |
| 18 | LCA98091 | O-Ring | 1 | | |
| 19 | 51M4240 | Sealing Ring | 2 | | |
| 20 | 51M4232 | Sealing Ring | 2 | | |
| key | PART NO. | PART NAME | QTY | SERIAL NO. | REMARKS |
| 21 | 40M7180 | Snap Ring | 1 | | |
| 22 | 40M7336 | Snap Ring | 2 | | |
| 23 | 19M8533 | Screw | 6 | | M10 X 25 |
| 24 | 19M9778 | Socket Head Screw | 8 | | M10 X 30 |
| 25 | LCA98092 | Fitting Plug | 2 | | |
| 26 | LCA63274 | Fitting Plug | 1 | | |
| 27 | LCA82131 | Bleed Valve | 1 | | |
| 28 | 34M7061 | Spring Pin | 1 | | 8 X 20 mm |

Catalog: 4711 | Grid: 0 | Section: 100 | Page: 63

Catalog Name: 360plus Rotary Harvesting Unit (European Edition)

Page Name: Decals



KM000860

| key | PART NO. | PART NAME | QTY | SERIAL NO. | REMARKS |
|-----|----------|--------------------|-----|------------|---------|
| 1 | MCF101 | Yellow Spray Paint | AR | | |
| 2 | MCF100 | Green Spray Paint | AR | | |
| 3 | CC40740 | Label | 1 | | |
| 4 | Z59868 | Label | 2 | | |
| 5 | Z59872 | Label | 2 | | |
| 6 | LCA66507 | Label | 2 | | |
| 7 | LCA73056 | Label | 2 | | |
| 8 | LCA57520 | Label | 1 | | |
| 9 | LCA53616 | Label | 4 | | |
| 10 | LCA30843 | Label | 3 | | |
| key | PART NO. | PART NAME | QTY | SERIAL NO. | REMARKS |
| 11 | LCA66508 | Label | 1 | | |
| 12 | LCA66509 | Label | 1 | | |
| 13 | LCA57842 | Label | 2 | | |
| 14 | JD5860 | Label | 2 | | |

| | | | | | |
|-----|-----------|-------------|-----|------------|---------|
| 15 | LCA101947 | Safety Sign | 2 | | (A) |
| 16 | LCA103952 | Label | 2 | | |
| 17 | LCA45302 | Label | 1 | | |
| 18 | LCA83199 | Label | 1 | | |
| 19 | LCA86753 | Label | 2 | | |
| 20 | LCA103897 | Label | 1 | | |
| key | PART NO. | PART NAME | QTY | SERIAL NO. | REMARKS |
| 21 | LCA103898 | Label | 1 | | |
| 22 | LCA104307 | Label | 1 | | |
| 23 | LCA104306 | Label | 1 | | |
| 24 | Z59871 | Label | 1 | | |

(A) For France only

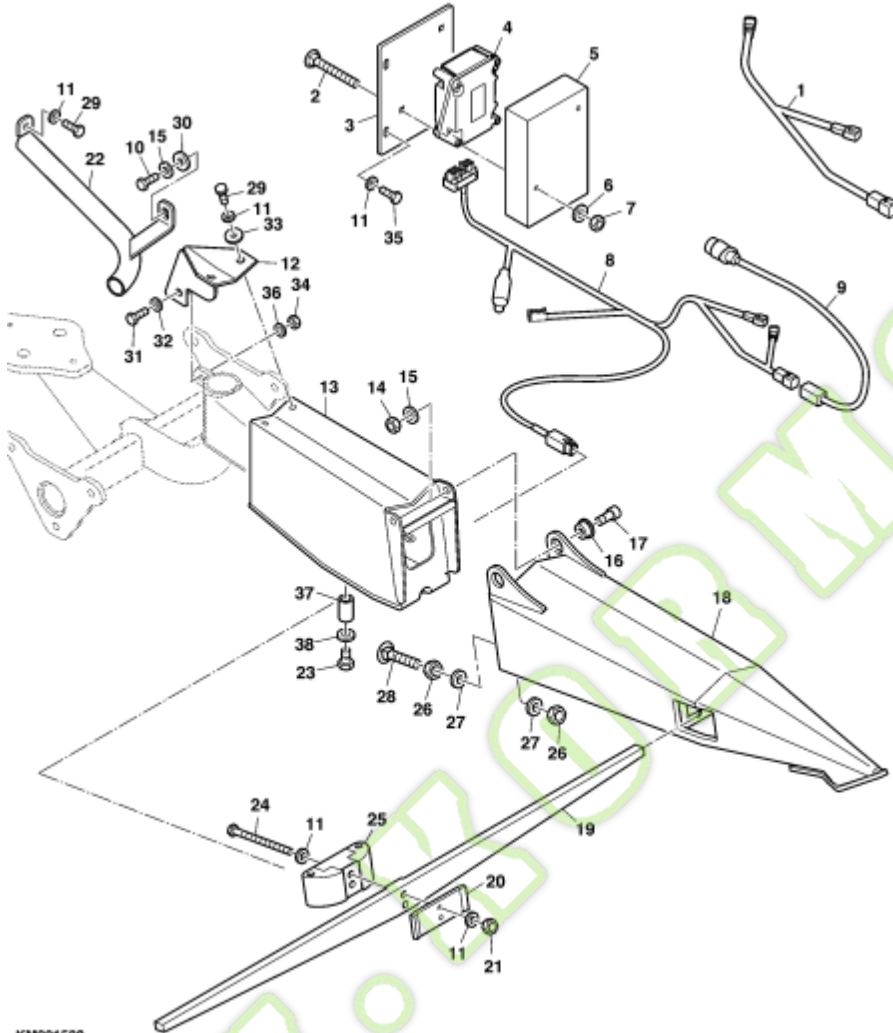
WWW.KORMO.BY

Catalog: 4711 | Grid: 0 | Section: 100 | Page: 64

Catalog Name: **360plus Rotary Harvesting Unit (European Edition)**

Page Name: **Controller, Row Trak**

Direction of Travel:



KM001588

| key | PART NO. | PART NAME | QTY | SERIAL NO. | REMARKS |
|-----|----------|-----------------|-----|------------|-----------------------|
| 1 | LCA99901 | Wiring Harness | 1 | | SPFH Part |
| 2 | 03M7184 | Bolt | 2 | | M8 X 20 |
| 3 | LCA99917 | Retainer | 2 | | |
| 4 | LCA99997 | Circuit Box | 1 | | |
| 5 | LCA97275 | Guard | 1 | | |
| 6 | 24M7055 | Washer | 2 | | 8.400 X 16 X 1.600 mm |
| 7 | 14M7166 | Lock Nut | 2 | | M8 |
| 8 | LCA99884 | Wiring Harness | 1 | | |
| 9 | LCA99896 | Wiring Harness | 1 | | |
| 10 | 19M7403 | Cap Screw | AR | | M12 X 35 |
| key | PART NO. | PART NAME | QTY | SERIAL NO. | REMARKS |
| 11 | LCA84221 | Lock Washer | AR | | |
| 12 | LCA98900 | Retainer | 1 | | |
| 13 | LCA98442 | Adapter Fitting | 1 | | |

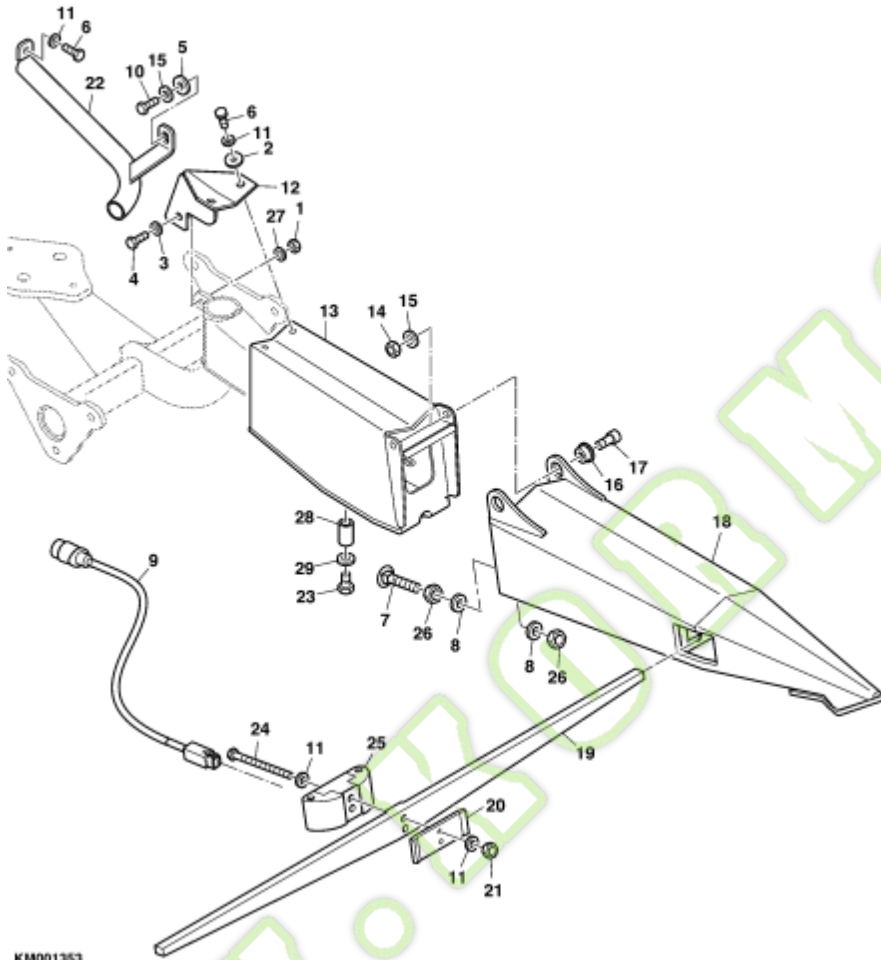
| 14 | 14M7275 | Nut | 2 | | M12 |
|-----|-----------|----------------|-----|------------|--------------------|
| 15 | LCA72740 | Lock Washer | 2 | | |
| 16 | LCA66147 | Bushing | 2 | | |
| 17 | 19M8168 | Screw | 2 | | M12 X 25 |
| 18 | LCA97990 | Gatherer Point | 1 | | |
| 19 | LCA98912 | Sensor | 1 | | |
| 20 | LCA98913 | Arch | 1 | | |
| key | PART NO. | PART NAME | QTY | SERIAL NO. | REMARKS |
| 21 | 14M7029 | Nut | AR | | M8 |
| 22 | LCA99993 | Guard | 1 | | |
| 23 | 19M8313 | Cap Screw | 3 | | M12 X 55 |
| 24 | 19M7296 | Cap Screw | 2 | | M8 X 100 |
| 25 | LCA98911 | Sensor | 1 | | |
| 26 | 14M7142 | Nut | 2 | | M16 |
| 27 | LCA89595 | Lock Washer | 2 | | |
| 28 | 19M8349 | Cap Screw | 1 | | M16 X 90 |
| 29 | 19M7139 | Cap Screw | 3 | | M8 X 20 |
| 30 | 24M7478 | Washer | 1 | | 13 X 30 X 6 mm |
| key | PART NO. | PART NAME | QTY | SERIAL NO. | REMARKS |
| 31 | 19M7662 | Cap Screw | 1 | | M10 X 30 |
| 32 | 24M7028 | Washer | 1 | | 10.500 X 20 X 2 mm |
| 33 | 24M7024 | Washer | 3 | | 9 X 28 X 3 mm |
| 34 | 14M7614 | Nut | 1 | | M10 |
| 35 | 19M7932 | Cap Screw | 2 | | M8 X 16 |
| 36 | LCA71878 | Lock Washer | 1 | | |
| 37 | LCA59390 | Bushing | 3 | | |
| 38 | 24M7047 | Washer | 3 | | 13 X 24 X 2.500 mm |
| .. | LCA103601 | Adapter Kit | 1 | | |

Catalog: 4711 | Grid: 0 | Section: 100 | Page: 65

Catalog Name: **360plus Rotary Harvesting Unit (European Edition)**

Page Name: **Controller, Row Trak, AutoTrac™**

Direction of Travel:



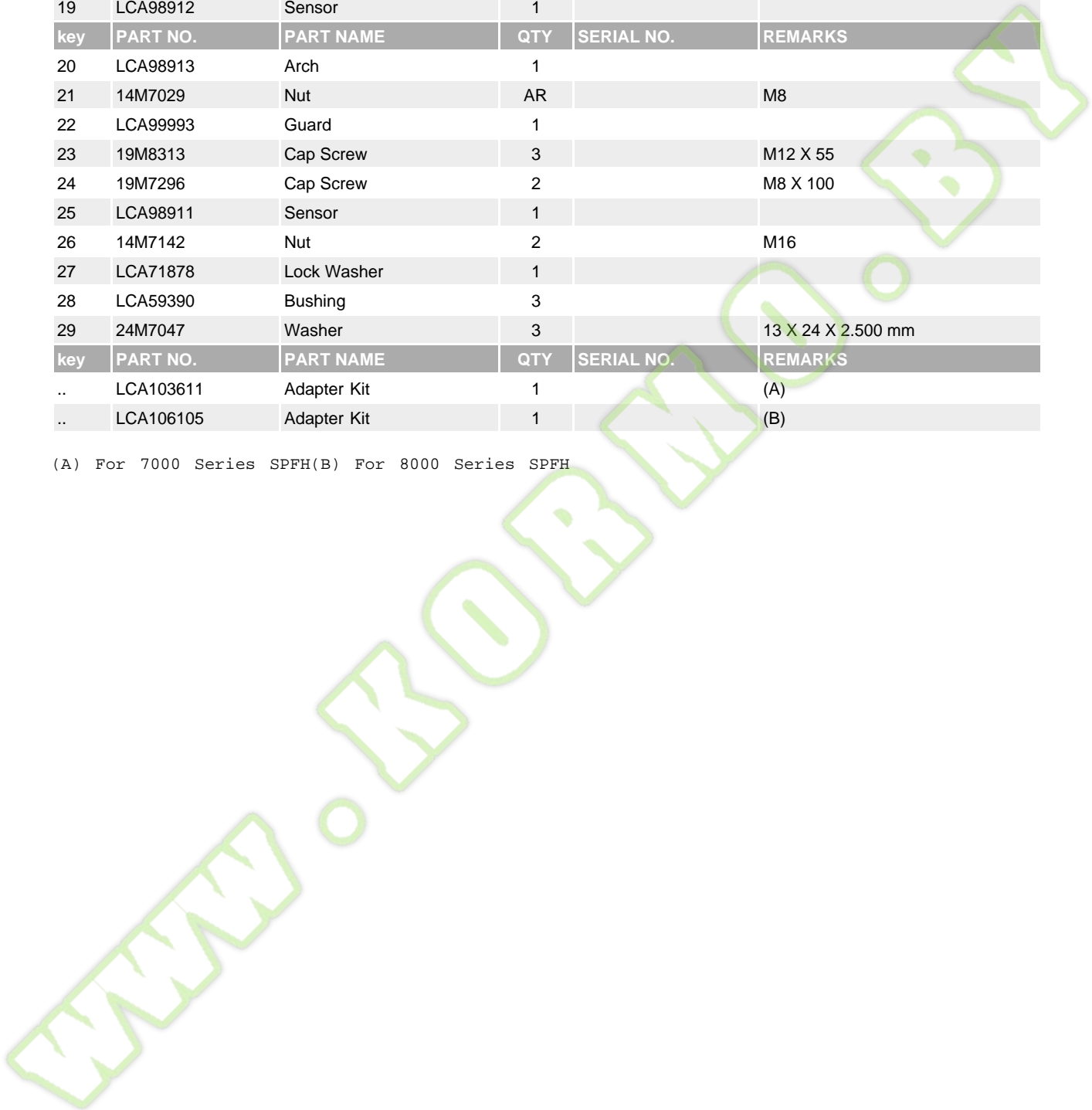
KM001353

| key | PART NO. | PART NAME | QTY | SERIAL NO. | REMARKS |
|-----|-----------|----------------|-----|------------|--------------------|
| 1 | 14M7614 | Nut | 1 | | M10 |
| 2 | 24M7024 | Washer | 3 | | 9 X 28 X 3 mm |
| 3 | 24M7028 | Washer | 1 | | 10.500 X 20 X 2 mm |
| 4 | 19M7662 | Cap Screw | 1 | | M10 X 30 |
| 5 | 24M7478 | Washer | 1 | | 13 X 30 X 6 mm |
| 6 | 19M7139 | Cap Screw | 3 | | M8 X 20 |
| 7 | 03M7385 | Bolt | 1 | | M16 X 80 |
| 8 | LCA89595 | Lock Washer | 2 | | |
| 9 | LCA99956 | Wiring Harness | 1 | | (A) |
| | LCA106102 | Wiring Harness | 1 | | (B) |
| key | PART NO. | PART NAME | QTY | SERIAL NO. | REMARKS |
| 10 | 19M7403 | Cap Screw | AR | | M12 X 35 |
| 11 | LCA84221 | Lock Washer | AR | | |
| 12 | LCA98900 | Retainer | 1 | | |



| | | | | | |
|-----|-----------|-----------------|-----|------------|--------------------|
| 13 | LCA98442 | Adapter Fitting | 1 | | |
| 14 | 14M7275 | Nut | 2 | | M12 |
| 15 | LCA72740 | Lock Washer | 2 | | |
| 16 | LCA66147 | Bushing | 2 | | |
| 17 | 19M8168 | Screw | 2 | | M12 X 25 |
| 18 | LCA97990 | Gatherer Point | 1 | | |
| 19 | LCA98912 | Sensor | 1 | | |
| key | PART NO. | PART NAME | QTY | SERIAL NO. | REMARKS |
| 20 | LCA98913 | Arch | 1 | | |
| 21 | 14M7029 | Nut | AR | | M8 |
| 22 | LCA99993 | Guard | 1 | | |
| 23 | 19M8313 | Cap Screw | 3 | | M12 X 55 |
| 24 | 19M7296 | Cap Screw | 2 | | M8 X 100 |
| 25 | LCA98911 | Sensor | 1 | | |
| 26 | 14M7142 | Nut | 2 | | M16 |
| 27 | LCA71878 | Lock Washer | 1 | | |
| 28 | LCA59390 | Bushing | 3 | | |
| 29 | 24M7047 | Washer | 3 | | 13 X 24 X 2.500 mm |
| key | PART NO. | PART NAME | QTY | SERIAL NO. | REMARKS |
| .. | LCA103611 | Adapter Kit | 1 | | (A) |
| .. | LCA106105 | Adapter Kit | 1 | | (B) |

(A) For 7000 Series SPFH(B) For 8000 Series SPFH

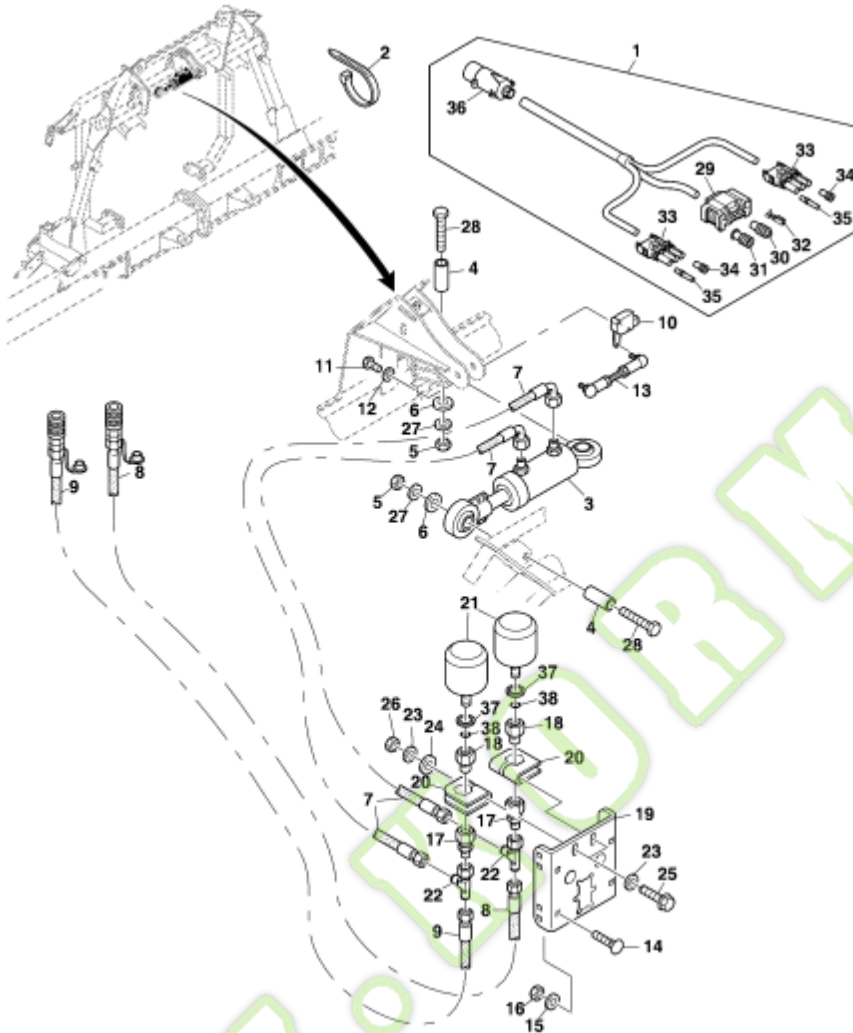


Catalog: 4711 | Grid: 0 | Section: 100 | Page: 66

Catalog Name: **360plus Rotary Harvesting Unit (European Edition)**

Page Name: **Automatic Header Control (AHC)**

Direction of Travel:



KM001287

| key | PART NO. | PART NAME | QTY | SERIAL NO. | REMARKS |
|-----|-----------|-----------------------|-----|------------|----------------|
| 1 | LCA95850 | Sensor Wiring Harness | 1 | | |
| 2 | R44302 | Tie Band | AR | | |
| 3 | LCA92636 | Hydraulic Cylinder | 1 | | |
| 4 | LCA104761 | Pin Fastener | 2 | | |
| 5 | 14M7168 | Lock Nut | 2 | | M12 |
| 6 | 24M7052 | Washer | 4 | | 25 X 44 X 4 mm |
| 7 | LCA102087 | Hydraulic Hose | 2 | | |
| 8 | LCA90831 | Hydraulic Hose | 1 | | |
| 9 | LCA90832 | Hydraulic Hose | 1 | | |
| 10 | LCA90231 | Sensor | 1 | | |
| key | PART NO. | PART NAME | QTY | SERIAL NO. | REMARKS |
| 11 | 19M7640 | Cap Screw | 2 | | M5 X 12 |
| 12 | LCA94675 | Lock Washer | 2 | | |

| | | | | | |
|------------|-----------------|-----------------------------|------------|-------------------|-----------------------|
| 13 | LCA92607 | Tie Rod Assembly | 1 | | |
| 14 | 03M7184 | Bolt | 2 | | M8 X 20 |
| 15 | 24M7055 | Washer | 2 | | 8.400 X 16 X 1.600 mm |
| 16 | 14M7166 | Lock Nut | 2 | | M8 |
| 17 | LCA61059 | Pipe Bushing | 2 | | |
| 18 | LCA32393 | Fitting | 2 | | |
| 19 | LCA103634 | Retainer | 1 | | |
| 20 | LCA103633 | Retainer | 2 | | |
| key | PART NO. | PART NAME | QTY | SERIAL NO. | REMARKS |
| 21 | LCA86212 | Hydraulic Accumulator | 2 | | |
| 22 | LCA51184 | Fitting | 2 | | |
| 23 | LCA71878 | Lock Washer | 4 | | |
| 24 | 24M7213 | Washer | 2 | | 10.500 X 25 X 4 mm |
| 25 | 19M7385 | Cap Screw | 2 | | M10 X 70 |
| 26 | 14M7140 | Nut | 2 | | M10 |
| 27 | 24M7180 | Washer | 2 | | 13 X 37 X 3 mm |
| 28 | 19M8088 | Cap Screw | 2 | | M12 X 75 |
| 29 | 57M7953 | Electrical Connector Assy | 1 | | |
| 30 | 57M7403 | Elec. Connector Cavity Plug | 3 | | |
| key | PART NO. | PART NAME | QTY | SERIAL NO. | REMARKS |
| 31 | 57M7955 | Elec. Connector Terminal | 3 | | |
| 32 | Z79575 | Elec. Connector Terminal | 3 | | |
| 33 | 57M8542 | Elec. Connector Housing | 2 | | |
| 34 | 57M8567 | Elec. Connector Seal | 6 | | |
| 35 | 57M8571 | Elec. Connector Terminal | 6 | | |
| 36 | LCA50539 | Elec. Connector Terminal | 1 | | |
| 37 | LCA109993 | Sealing Washer | 2 | | |
| 38 | LCA109992 | O-Ring | 2 | | |

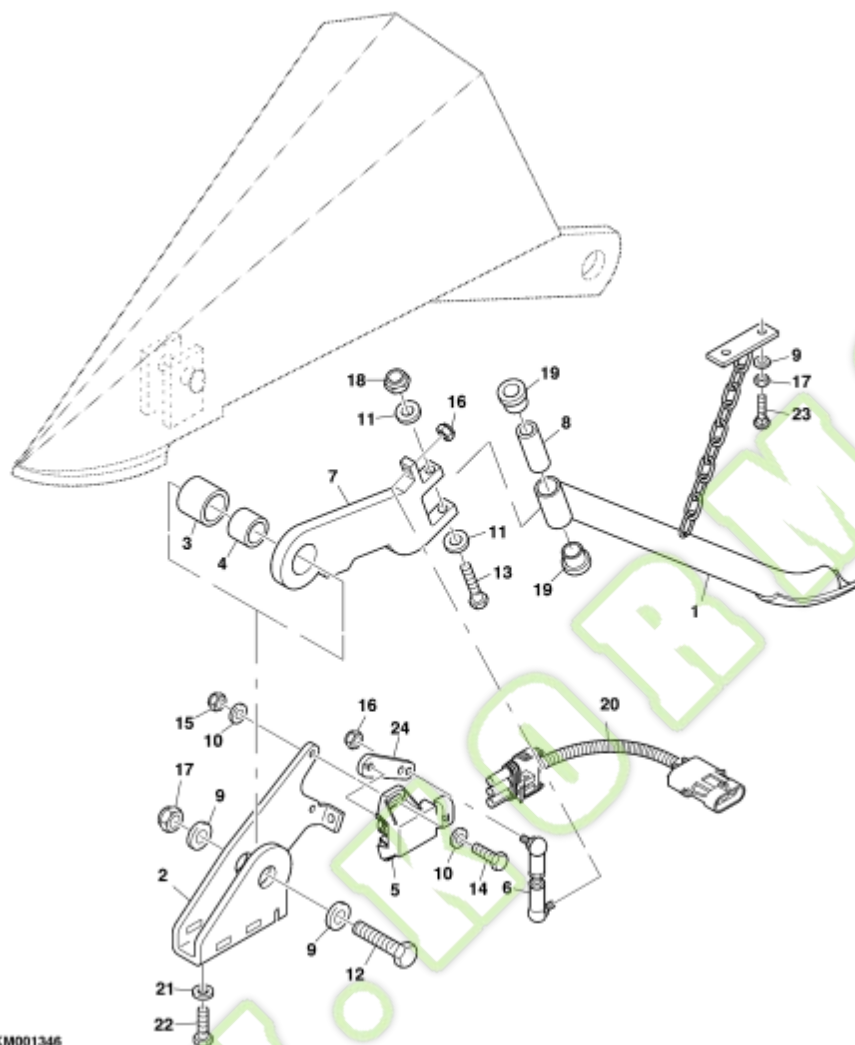
WWW.KORMO.BY

Catalog: 4711 | Grid: 0 | Section: 100 | Page: 67

Catalog Name: **360plus Rotary Harvesting Unit (European Edition)**

Page Name: **Automatic Header Control (AHC)**

Direction of Travel:



KM001346

| key | PART NO. | PART NAME | QTY | SERIAL NO. | REMARKS |
|-----|-----------|-------------|-----|------------|----------------------|
| 1 | LCA103627 | Arm | 2 | | Incl. Key 19 |
| 2 | LCA95848 | Retainer | 2 | | |
| 3 | LCA95845 | Bushing | 2 | | |
| 4 | LCA95825 | Bushing | 2 | | |
| 5 | LCA95823 | Sensor | 2 | | Incl. Key 24 |
| 6 | LCA95820 | Ball Joint | 2 | | |
| 7 | LCA94716 | Retainer | 2 | | |
| 8 | LCA94568 | Bushing | 2 | | |
| 9 | LCA72740 | Lock Washer | 6 | | |
| 10 | 24M7117 | Washer | 8 | | 4.300 X 9 X 0.800 mm |
| key | PART NO. | PART NAME | QTY | SERIAL NO. | REMARKS |
| 11 | 24M7028 | Washer | 4 | | 10.500 X 20 X 2 mm |
| 12 | 19M7496 | Cap Screw | 2 | | M12 X 45 |
| 13 | 19M7408 | Cap Screw | 2 | | M10 X 90 |

| | | | | | |
|-----|----------|----------------|-----|------------|----------|
| 14 | 19M9473 | Screw | 4 | | M4 X 20 |
| 15 | 14M7264 | Lock Nut | 4 | | M4 |
| 16 | 14M7165 | Lock Nut | 4 | | M6 |
| 17 | 14M7275 | Nut | 4 | | M12 |
| 18 | 14M7167 | Lock Nut | 2 | | M10 |
| 19 | LCA01657 | Bushing | 4 | | |
| 20 | LCA96679 | Wiring Harness | 2 | | |
| key | PART NO. | PART NAME | QTY | SERIAL NO. | REMARKS |
| 21 | LCA71878 | Lock Washer | 4 | | |
| 22 | 19M7402 | Cap Screw | 4 | | M10 X 25 |
| 23 | 03M7203 | Bolt | 2 | | M12 X 55 |
| 24 | LCA92613 | Lever | 2 | | |

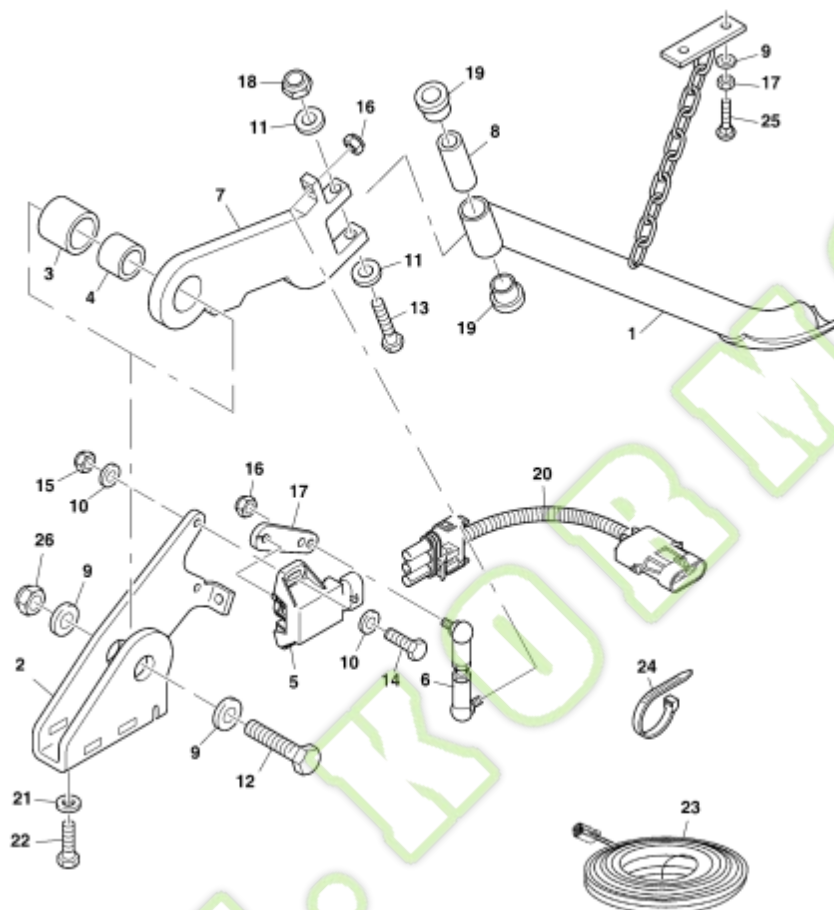
WWW.KORMO.BY

Catalog: 4711 | Grid: 0 | Section: 100 | Page: 68

Catalog Name: **360plus Rotary Harvesting Unit (European Edition)**

Page Name: **Automatic Header Control (AHC) for 8000 Series SPFH**

Direction of Travel:



KM001747

| key | PART NO. | PART NAME | QTY | SERIAL NO. | REMARKS |
|-----|-----------|-------------|-----|------------|----------------------|
| 1 | LCA103627 | Arm | 2 | | Incl. Key 19 |
| 2 | LCA95848 | Retainer | 2 | | |
| 3 | LCA95845 | Bushing | 2 | | |
| 4 | LCA95825 | Bushing | 2 | | |
| 5 | LCA95823 | Sensor | 2 | | Incl. Key 17 |
| 6 | LCA95820 | Ball Joint | 2 | | |
| 7 | LCA94716 | Retainer | 2 | | |
| 8 | LCA94568 | Bushing | 2 | | |
| 9 | LCA72740 | Lock Washer | 6 | | |
| 10 | 24M7117 | Washer | 8 | | 4.300 X 9 X 0.800 mm |
| key | PART NO. | PART NAME | QTY | SERIAL NO. | REMARKS |
| 11 | 24M7028 | Washer | 4 | | 10.500 X 20 X 2 mm |
| 12 | 19M7496 | Cap Screw | 2 | | M12 X 45 |
| 13 | 19M7408 | Cap Screw | 2 | | M10 X 90 |

| | | | | | |
|-----|----------|----------------|-----|------------|----------|
| 14 | 19M9473 | Screw | 4 | | M4 X 20 |
| 15 | 14M7264 | Lock Nut | 4 | | M4 |
| 16 | 14M7165 | Lock Nut | 4 | | M6 |
| 17 | LCA92613 | Lever | 2 | | |
| 18 | 14M7167 | Lock Nut | 2 | | M10 |
| 19 | LCA01657 | Bushing | 4 | | |
| 20 | LCA96679 | Wiring Harness | 2 | | |
| key | PART NO. | PART NAME | QTY | SERIAL NO. | REMARKS |
| 21 | LCA71878 | Lock Washer | 4 | | |
| 22 | 19M7402 | Cap Screw | 4 | | M10 X 25 |
| 23 | LCA95308 | Wiring Harness | 1 | | |
| 24 | R44302 | Tie Band | AR | | |
| 25 | 19M7493 | Cap Screw | 2 | | M12 X 40 |
| 26 | 14M7275 | Nut | 2 | | M12 |

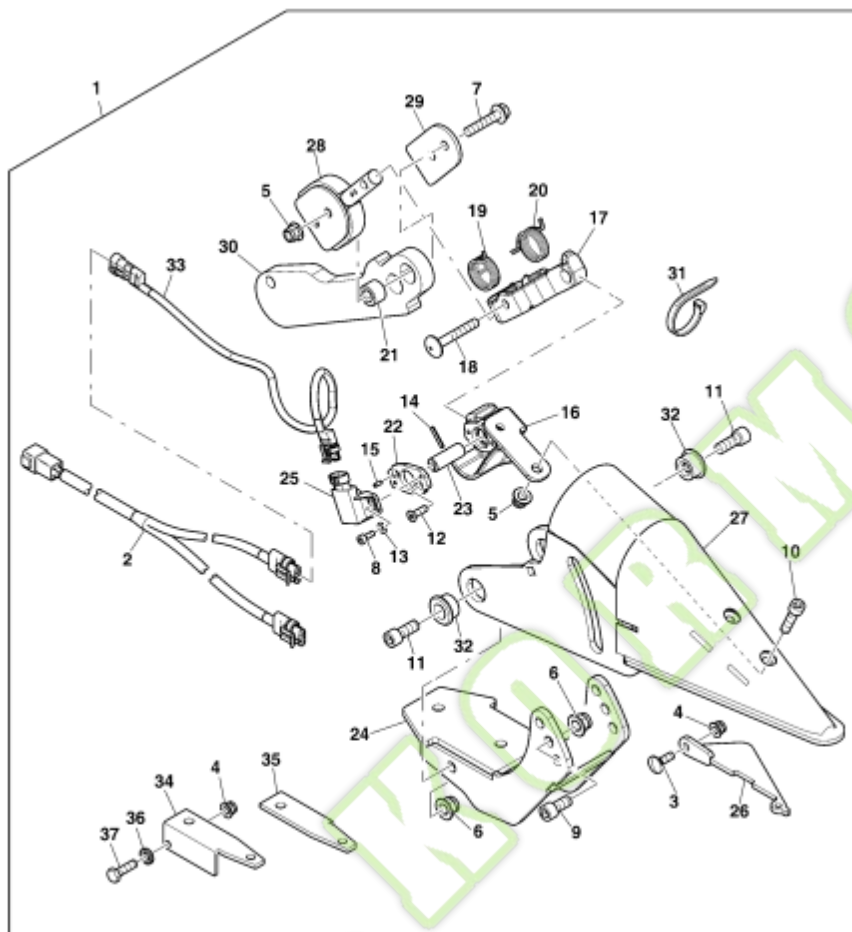
WWW.KORMO.BY

Catalog: 4711 | Grid: 0 | Section: 100 | Page: 69

Catalog Name: **360plus Rotary Harvesting Unit (European Edition)**

Page Name: **Automatic Header Control (AHC) for 8000 Series SPFH**

Direction of Travel:



KM001696

| key | PART NO. | PART NAME | QTY | SERIAL NO. | REMARKS |
|-----|----------|------------------|-----|------------|----------------------|
| 1 | | Package Of Parts | 1 | | NSEP |
| 2 | LCA95308 | Wiring Harness | 1 | | |
| 3 | 03M7185 | Bolt | AR | | M8 X 25 |
| 4 | 14M7396 | Lock Nut | AR | | M8 |
| 5 | 14M7400 | Lock Nut | AR | | M10 |
| 6 | 14M7401 | Lock Nut | AR | | M12 |
| 7 | 19M8292 | Screw | AR | | M10 X 50 |
| 8 | 19M9471 | Screw | AR | | M4 X 10 |
| 9 | 19M8168 | Screw | AR | | M12 X 25 |
| 10 | 19M8533 | Screw | AR | | M10 X 25 |
| key | PART NO. | PART NAME | QTY | SERIAL NO. | REMARKS |
| 11 | 19M8169 | Screw | 4 | | M12 X 30 |
| 12 | 21M7535 | Screw | AR | | M5 X 16 |
| 13 | 24M7117 | Washer | AR | | 4.300 X 9 X 0.800 mm |

| 14 | 34M7098 | Spring Pin | 2 | | 4 X 26 mm |
|-----|-----------|----------------|-----|------------|-----------|
| 15 | 34M7308 | Spring Pin | 2 | | 4 X 10 mm |
| 16 | AXE21005 | Bracket | 2 | | |
| 17 | HXE78797 | Bracket | 2 | | |
| 18 | HXE79214 | Screw | 2 | | |
| 19 | HXE79216 | Torsion Spring | 2 | | |
| 20 | HXE79218 | Torsion Spring | 2 | | |
| key | PART NO. | PART NAME | QTY | SERIAL NO. | REMARKS |
| 21 | LCA109006 | Bushing | 2 | | |
| 22 | LCA109010 | Flange | 2 | | |
| 23 | LCA109011 | Shaft | 2 | | |
| 24 | LCA109012 | Holder | 2 | | |
| 25 | LCA109380 | Sensor | 2 | | |
| 26 | LCA111196 | Guide | 2 | | |
| 27 | LCA111206 | Point | 2 | | |
| 28 | LCA111216 | Holder | 2 | | |
| 29 | LCA111219 | Sheet | 2 | | |
| 30 | LCA117714 | Sensor | 2 | | |
| key | PART NO. | PART NAME | QTY | SERIAL NO. | REMARKS |
| 31 | R44302 | Tie Band | 4 | | |
| 32 | LCA71308 | Bushing | 2 | | |
| 33 | LCA96679 | Wiring Harness | 2 | | |
| 34 | LCA117685 | Sheet | 2 | | |
| 35 | LCA117686 | Sheet | 2 | | |
| 36 | LCA84221 | Lock Washer | 2 | | |
| 37 | 19M7301 | Cap Screw | 2 | | M8 X 40 |

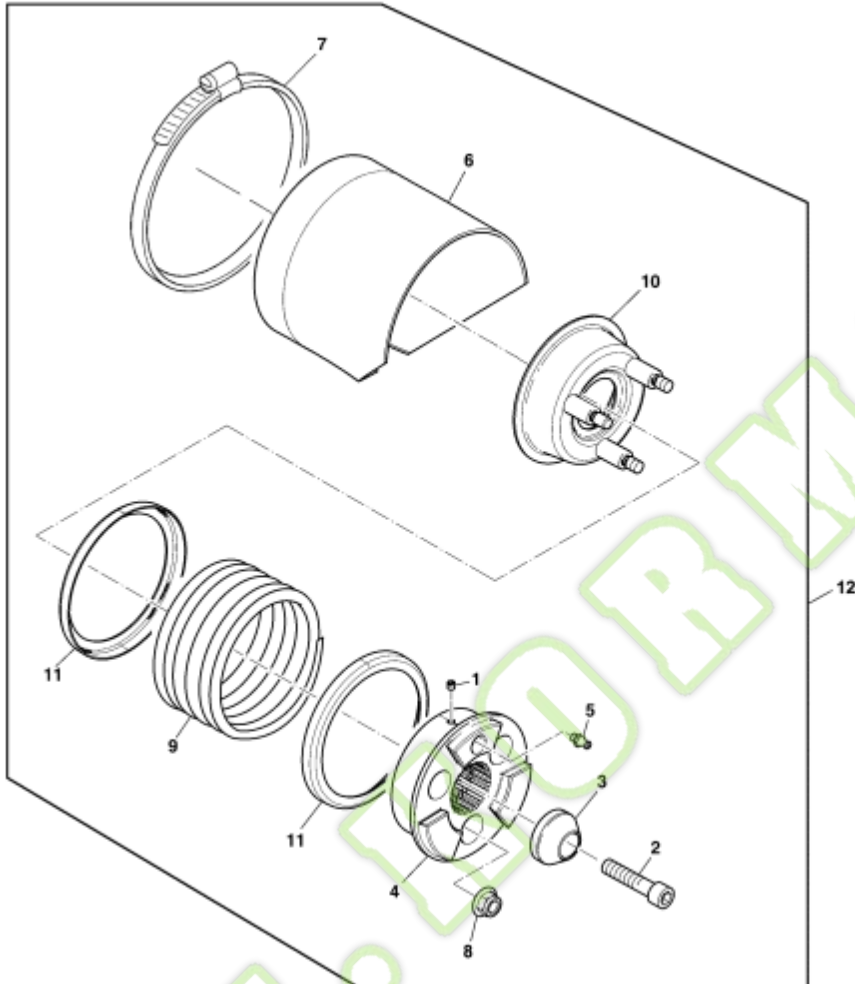
WWW.KORMO.BY

Catalog: 4711 | Grid: 0 | Section: 100 | Page: 70

Catalog Name: **360plus Rotary Harvesting Unit (European Edition)**

Page Name: **Quick Coupler for 8000 Series SPFH**

Direction of Travel:



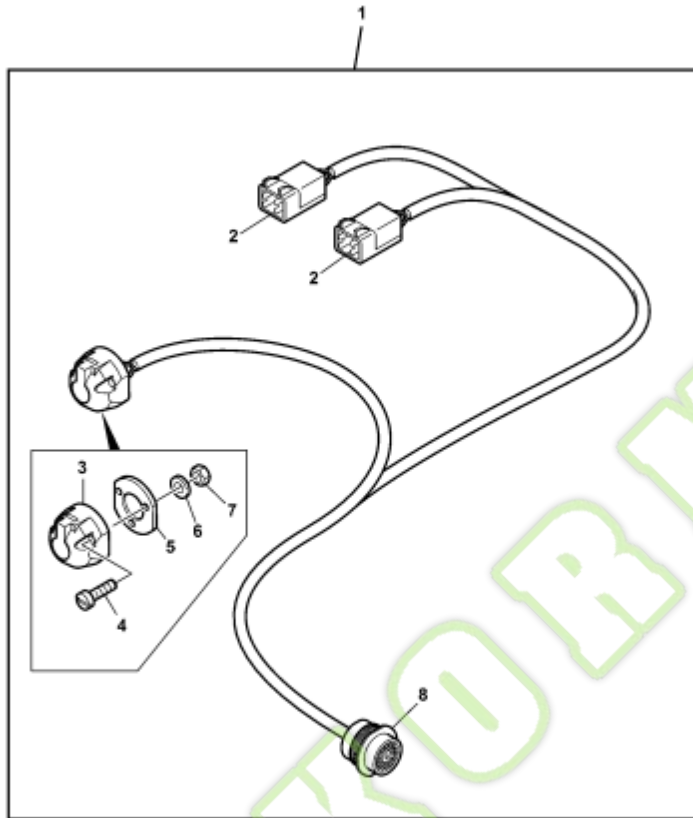
KM001736

| key | PART NO. | PART NAME | QTY | SERIAL NO. | REMARKS |
|-----|-----------|---------------------------|-----|------------|----------|
| 1 | 22M7079 | Set Screw | 1 | | M6 X 6 |
| 2 | 19M8580 | Screw | 1 | | M12 X 50 |
| 3 | LCA108989 | Ring | 1 | | |
| 4 | LCA108988 | Coupling | 1 | | |
| 5 | 58M5573 | Lubrication Fitting | 1 | | |
| 6 | LCA116079 | Guard | 1 | | |
| 7 | LCA111022 | Clamp | 1 | | |
| 8 | 14M7400 | Lock Nut | 3 | | M10 |
| 9 | LCA108400 | Compression Spring | 1 | | |
| 10 | LCA112454 | Stop | 1 | | |
| key | PART NO. | PART NAME | QTY | SERIAL NO. | REMARKS |
| 11 | LCA108990 | Ring | 2 | | |
| 12 | LCA113522 | Attach.-Bundle Identifier | 1 | | KIT |

Catalog: 4711 | Grid: 0 | Section: 100 | Page: 71

Catalog Name: **360plus Rotary Harvesting Unit (European Edition)**

Page Name: **Main Wiring Harness for 8000 Series SPFH**



KM001313

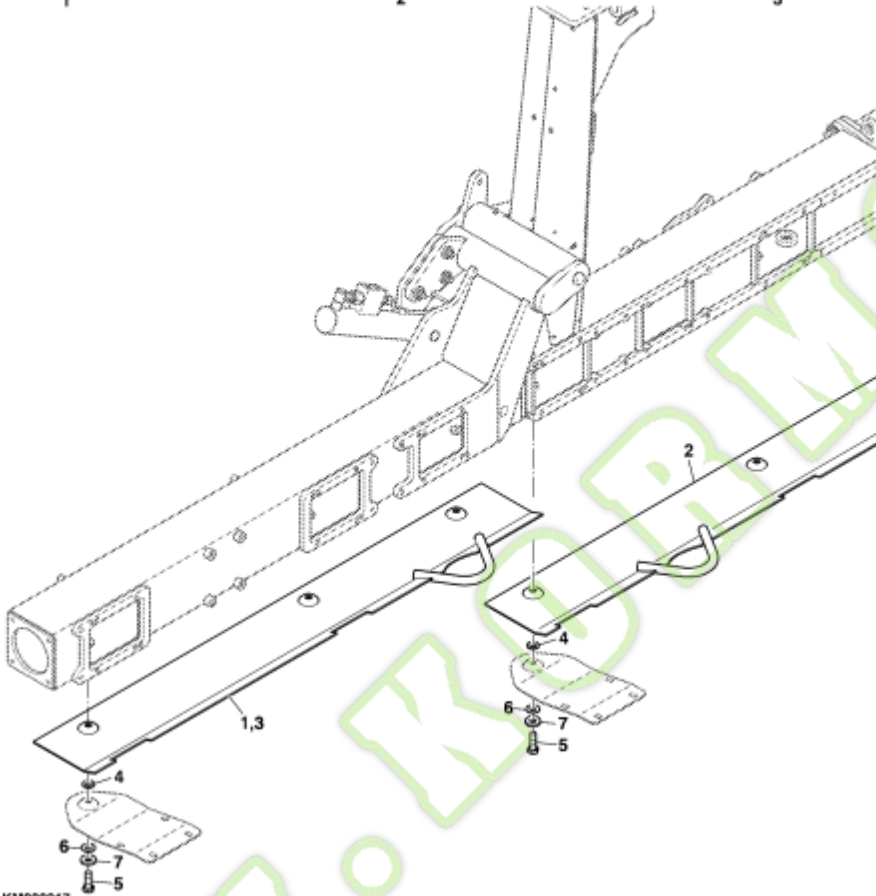
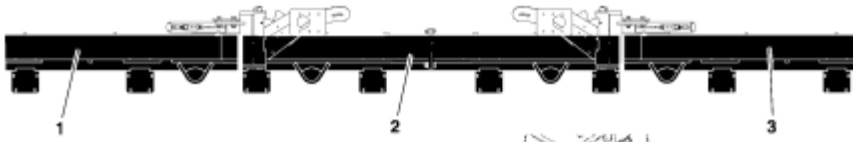
| key | PART NO. | PART NAME | QTY | SERIAL NO. | REMARKS |
|-----|-----------|----------------------------|-----|------------|-------------------|
| 1 | LCA106973 | Wiring Harness | 1 | | |
| 2 | 57M7535 | Elec. Connector Terminal | 2 | | |
| 3 | LCA29875 | Socket | 1 | | |
| 4 | 21M7124 | Screw | 3 | | M5 X 35 |
| 5 | Z61316 | Elec. Connector Cable Seal | 1 | | |
| 6 | 24M7027 | Washer | 3 | | 5.300 X 10 X 1 mm |
| 7 | 14M7265 | Lock Nut | 3 | | M5 |
| 8 | AH168765 | Elec. Connector Housing | 1 | | |

Catalog: 4711 | Grid: 0 | Section: 100 | Page: 72

Catalog Name: **360plus Rotary Harvesting Unit (European Edition)**

Page Name: **Wear Plates**

Direction of Travel:



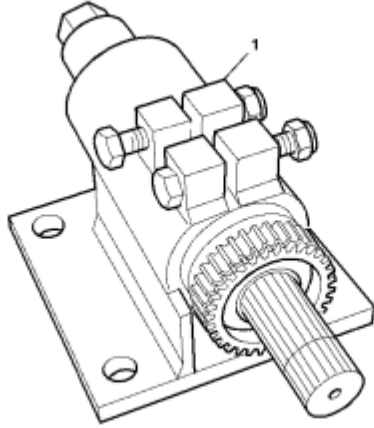
KM000917

| key | PART NO. | PART NAME | QTY | SERIAL NO. | REMARKS |
|-----|-----------|-------------|-----|------------|--------------------|
| 1 | LCA106124 | Wear Plate | 1 | | RH |
| 2 | LCA106120 | Wear Plate | 1 | | |
| 3 | LCA106123 | Wear Plate | 1 | | LH |
| 4 | 24M7028 | Washer | 8 | | 10.500 X 20 X 2 mm |
| 5 | 19M7662 | Cap Screw | 8 | | M10 X 30 |
| | 19M7402 | Cap Screw | 2 | | M10 X 25 |
| 6 | 24M7213 | Washer | 10 | | 10.500 X 25 X 4 mm |
| 7 | LCA71878 | Lock Washer | 10 | | |
| .. | LCA104566 | Adapter Kit | 1 | | |

Catalog: 4711 | Grid: 0 | Section: 100 | Page: 73

Catalog Name: 360plus Rotary Harvesting Unit (European Edition)

Page Name: Torque Testing Device For Friction Clutches



ZX036101

| key | PART NO. | PART NAME | QTY | SERIAL NO. | REMARKS |
|-----|----------|-----------|-----|------------|---------|
| 1 | LCA78440 | Tool | 1 | | |

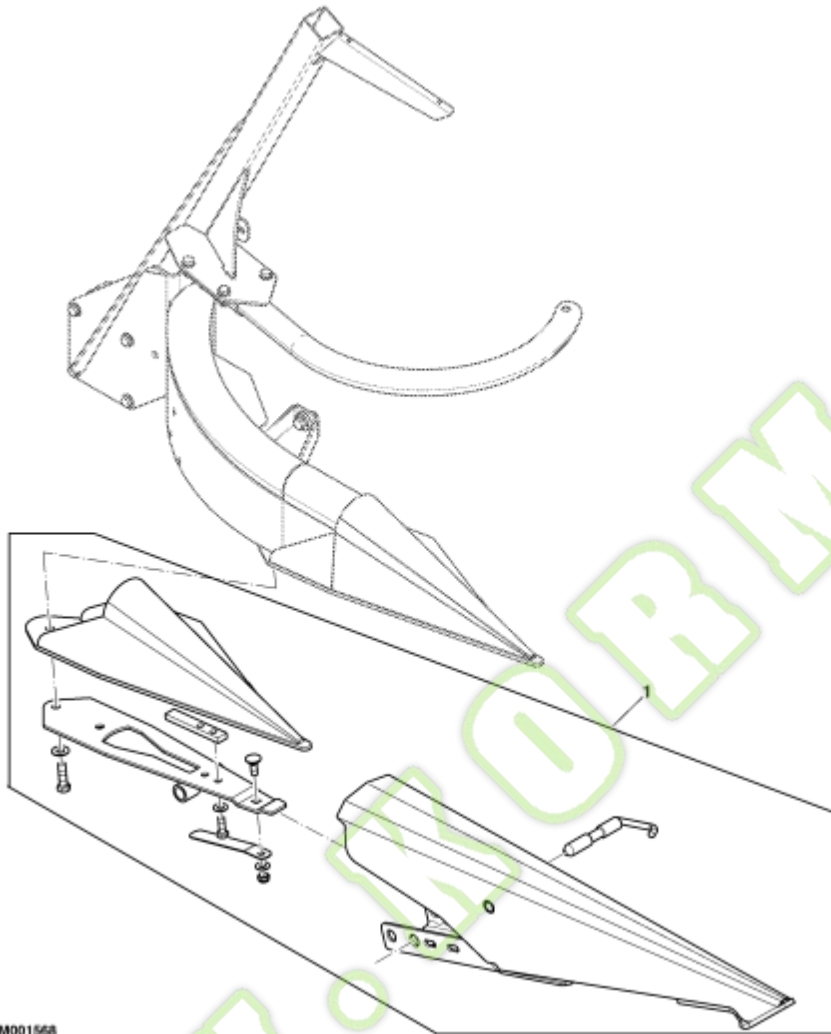
WWW.KORMO.BY

Catalog: 4711 | Grid: 0 | Section: 100 | Page: 74

Catalog Name: **360plus Rotary Harvesting Unit (European Edition)**

Page Name: **Stalk Lifters For Down-Crop - Outer**

Direction of Travel:



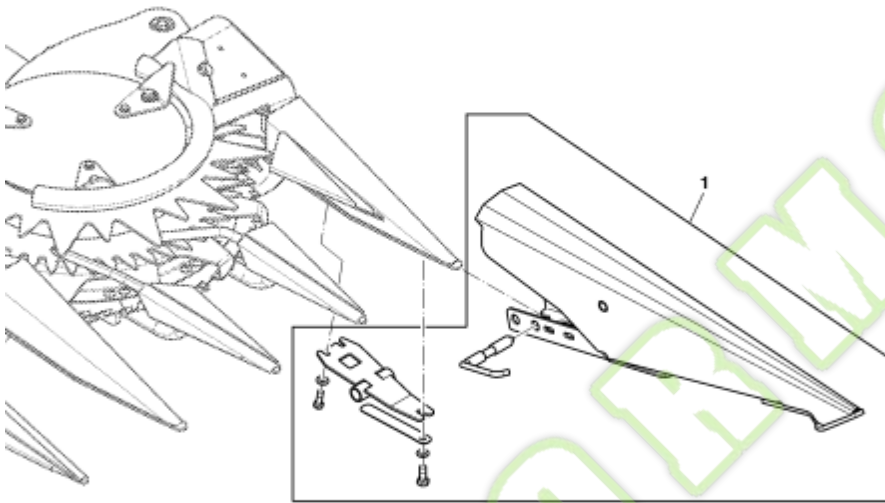
KM001568

| key | PART NO. | PART NAME | QTY | SERIAL NO. | REMARKS |
|-----|-----------|-------------|-----|------------|---------|
| 1 | LCA117586 | Adapter Kit | 1 | | |

Catalog: 4711 | Grid: 0 | Section: 100 | Page: 75

Catalog Name: **360plus Rotary Harvesting Unit (European Edition)**

Page Name: **Stalk Lifters For Down-Crop - Inner**



KM001569

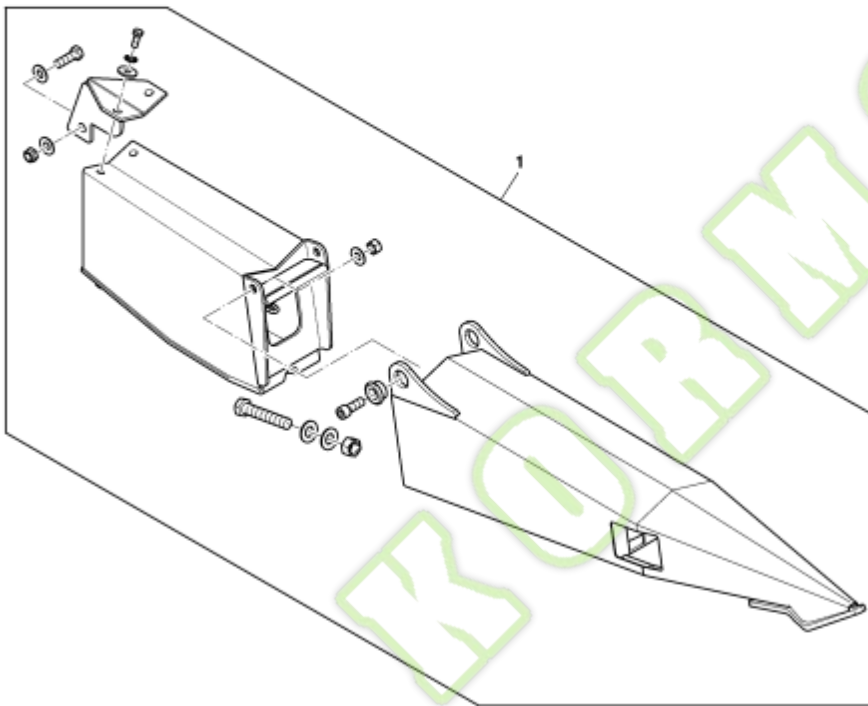
| key | PART NO. | PART NAME | QTY | SERIAL NO. | REMARKS |
|-----|-----------|-------------|-----|------------|---------|
| 1 | LCA117587 | Adapter Kit | 1 | | |

Catalog: 4711 | Grid: 0 | Section: 100 | Page: 76

Catalog Name: **360plus Rotary Harvesting Unit (European Edition)**

Page Name: **Stalk Lifters For Down-Crop - Middle**

Direction of Travel:



KM001570

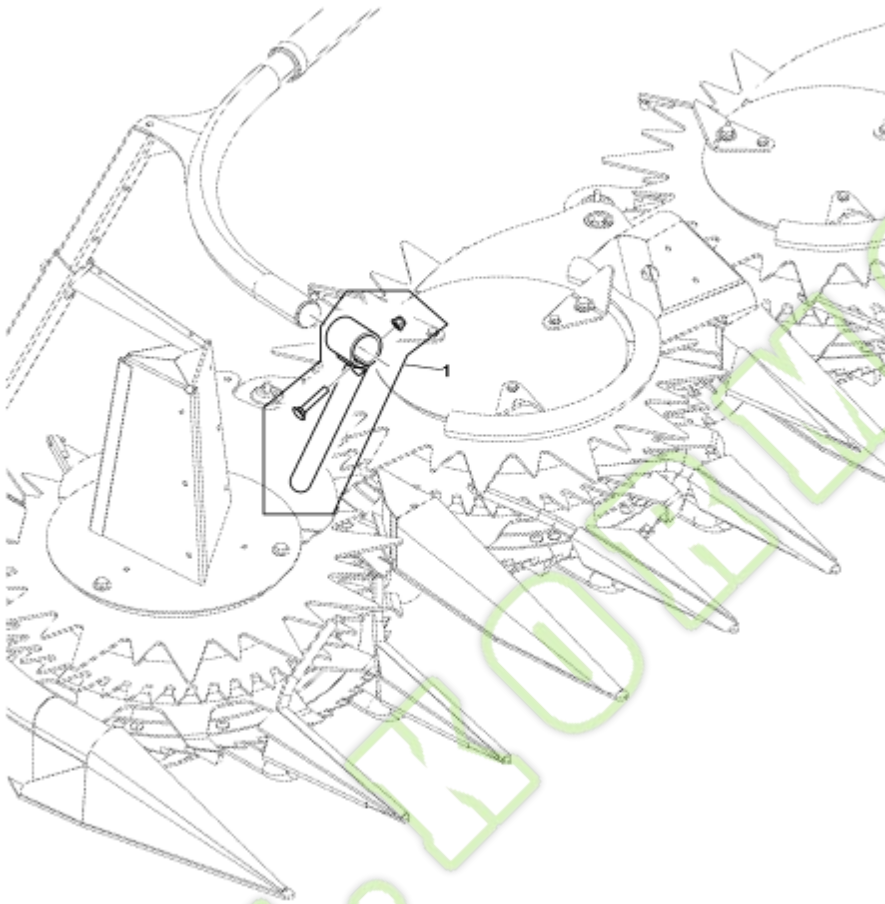
| key | PART NO. | PART NAME | QTY | SERIAL NO. | REMARKS |
|-----|-----------|-------------|-----|------------|---------|
| 1 | LCA117588 | Adapter Kit | 1 | | |

Catalog: 4711 | Grid: 0 | Section: 100 | Page: 77

Catalog Name: **360plus Rotary Harvesting Unit (European Edition)**

Page Name: **Stalk Lifters For Down-Crop - Guide Tube**

Direction of Travel:



KM001571

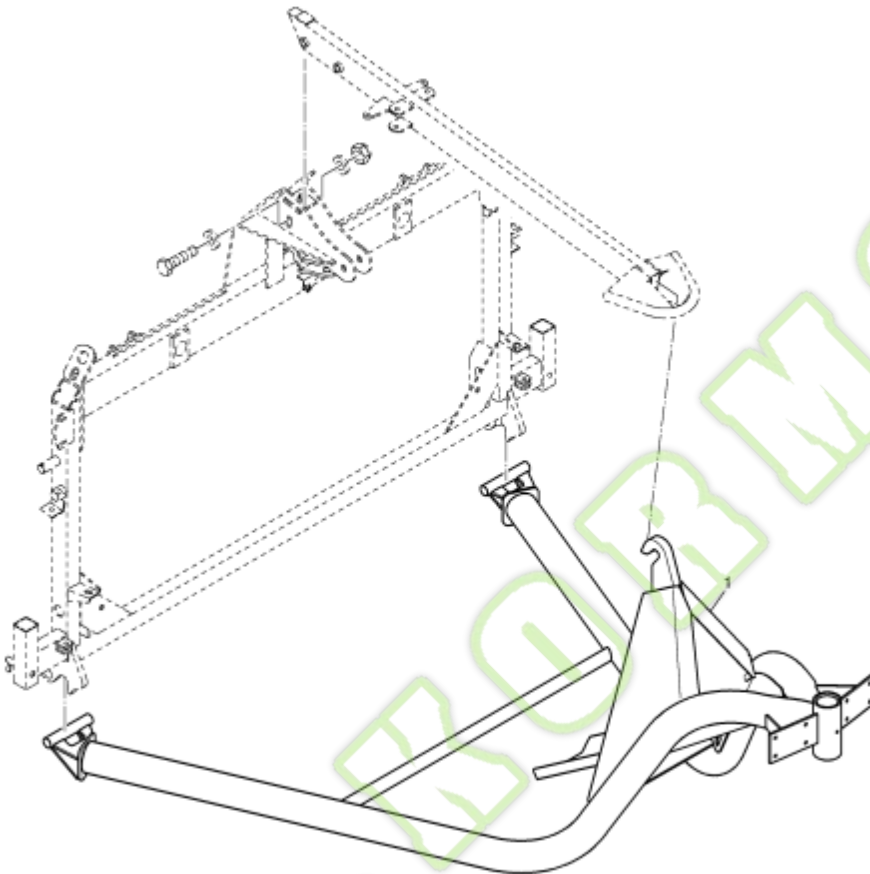
| key | PART NO. | PART NAME | QTY | SERIAL NO. | REMARKS |
|-----|-----------|-------------|-----|------------|---------|
| 1 | LCA117589 | Adapter Kit | 1 | | |

Catalog: 4711 | Grid: 0 | Section: 101 | Page: 78

Catalog Name: **360plus Rotary Harvesting Unit (European Edition)**

Page Name: **Main Frame**

Direction of Travel:



KM000632

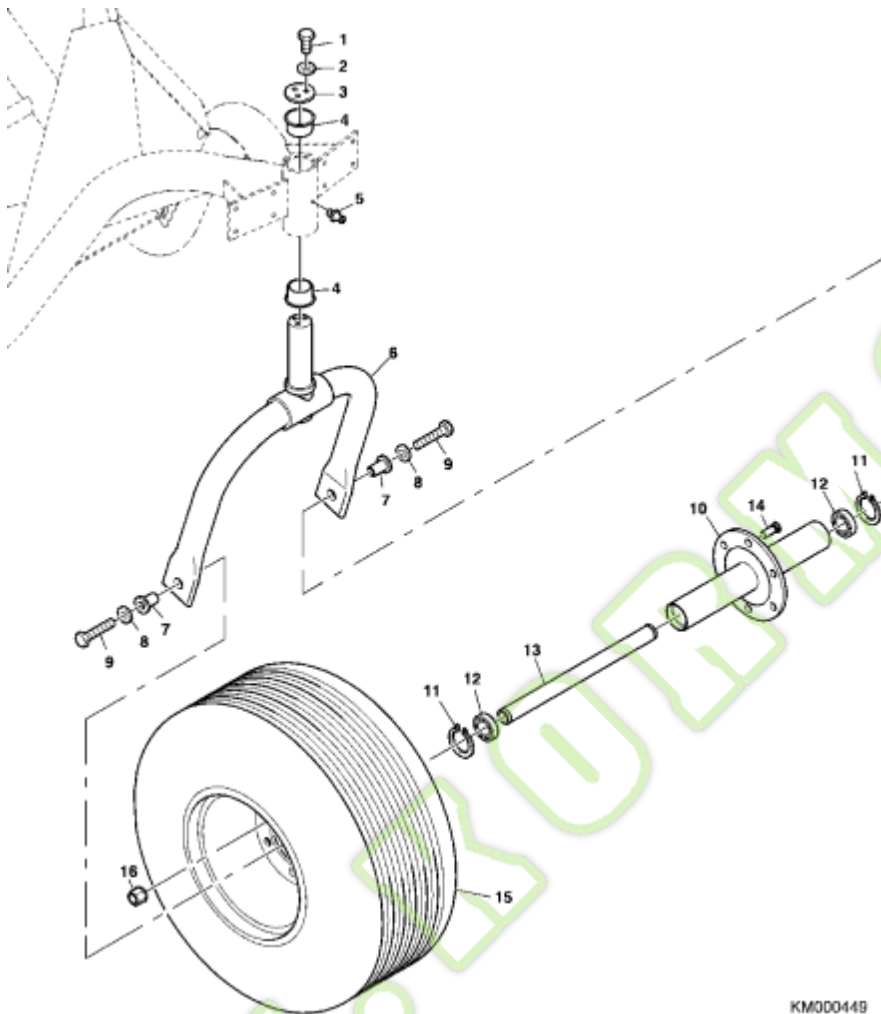
| key | PART NO. | PART NAME | QTY | SERIAL NO. | REMARKS |
|-----|-----------|-----------|-----|------------|---------|
| 1 | LCA102766 | Frame | 1 | | |

Catalog: 4711 | Grid: 0 | Section: 101 | Page: 79

Catalog Name: **360plus Rotary Harvesting Unit (European Edition)**

Page Name: **Wheel Support, Hubs And Axle (- 125082)**

Direction of Travel:



KM000449

| key | PART NO. | PART NAME | QTY | SERIAL NO. | REMARKS |
|-----|-----------|---------------------|-----|------------|-------------------|
| 1 | 19M7183 | Cap Screw | 3 | | M10 X 40 |
| 2 | LCA71878 | Lock Washer | 3 | | |
| 3 | LCA94427 | Washer | 1 | | |
| 4 | LCA94426 | Bushing | 2 | -119533 | |
| | LCA106396 | Bushing | 2 | 119534- | |
| 5 | 58M5573 | Lubrication Fitting | 1 | | |
| 6 | LCA106395 | Retainer | 1 | 119534- | SUB FOR LCA102767 |
| 7 | LCA94428 | Bushing | 2 | | |
| 8 | LCA89595 | Lock Washer | 2 | | |
| 9 | 19M7353 | Cap Screw | 2 | | M16 X 95 |
| key | PART NO. | PART NAME | QTY | SERIAL NO. | REMARKS |
| 10 | | Hub | 1 | | ORDER LCA109757 |
| 11 | 40M7179 | Snap Ring | 2 | | |
| 12 | JD8532 | Ball Bearing | 2 | | |
| 13 | | Axle | 1 | | ORDER LCA109757 |

| | | | | | |
|----|-----------|-------------------------|---|--|------|
| 14 | CC105309 | Wheel Bolt | 6 | | |
| 15 | LCA94410 | Tire And Wheel Assembly | 1 | | ASSY |
| 16 | 14M7237 | Nut | 6 | | M18 |
| .. | LCA109757 | Hub | 1 | | ASSY |

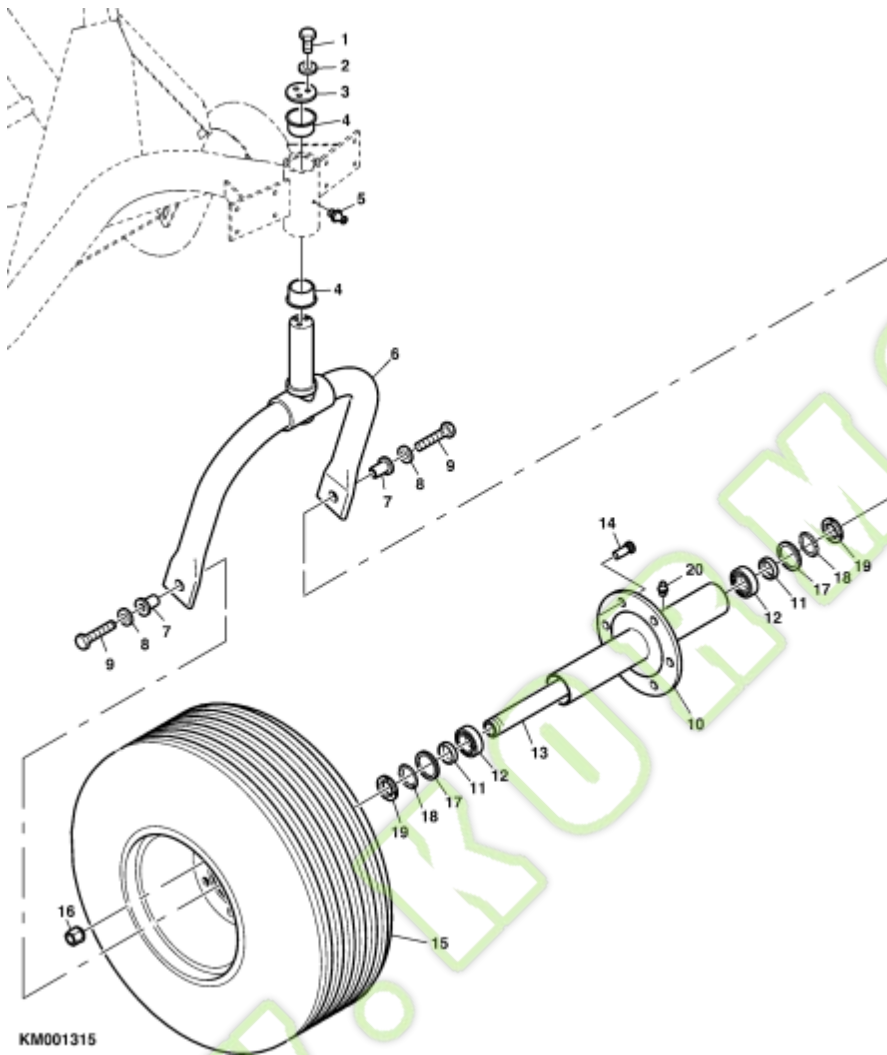
WWW.KORMO.BY

Catalog: 4711 | Grid: 0 | Section: 101 | Page: 80

Catalog Name: **360plus Rotary Harvesting Unit (European Edition)**

Page Name: **Wheel Support, Hubs And Axle (125083 -)**

Direction of Travel:



KM001315

| key | PART NO. | PART NAME | QTY | SERIAL NO. | REMARKS |
|-----|-----------|------------------------|-----|------------|----------|
| 1 | 19M7183 | Cap Screw | 3 | | M10 X 40 |
| 2 | LCA71878 | Lock Washer | 3 | | |
| 3 | LCA94427 | Washer | 1 | | |
| 4 | LCA106396 | Bushing | 2 | | |
| 5 | 58M5573 | Lubrication Fitting | 1 | | |
| 6 | LCA106395 | Retainer | 1 | | |
| 7 | LCA94428 | Bushing | 2 | | |
| 8 | LCA89595 | Lock Washer | 2 | | |
| 9 | 19M7353 | Cap Screw | 2 | | M16 X 95 |
| 10 | LCA109760 | Hub | 1 | | |
| key | PART NO. | PART NAME | QTY | SERIAL NO. | REMARKS |
| 11 | LCA109761 | Ring | 2 | | |
| 12 | JD10038 | Tapered Roller Bearing | 2 | | |
| 13 | LCA109759 | Axle | 1 | | |

| | | | | | |
|----|-----------|-------------------------|---|--|-----|
| 14 | CC105309 | Wheel Bolt | 6 | | |
| 15 | LCA94410 | Tire And Wheel Assembly | 1 | | |
| 16 | 14M7237 | Nut | 6 | | M18 |
| 17 | LCA111799 | Seal | 2 | | |
| 18 | LCA111800 | Lock Plate | 2 | | |
| 19 | Z42024 | Nut | 2 | | |
| 20 | 58M5574 | Lubrication Fitting | 1 | | |

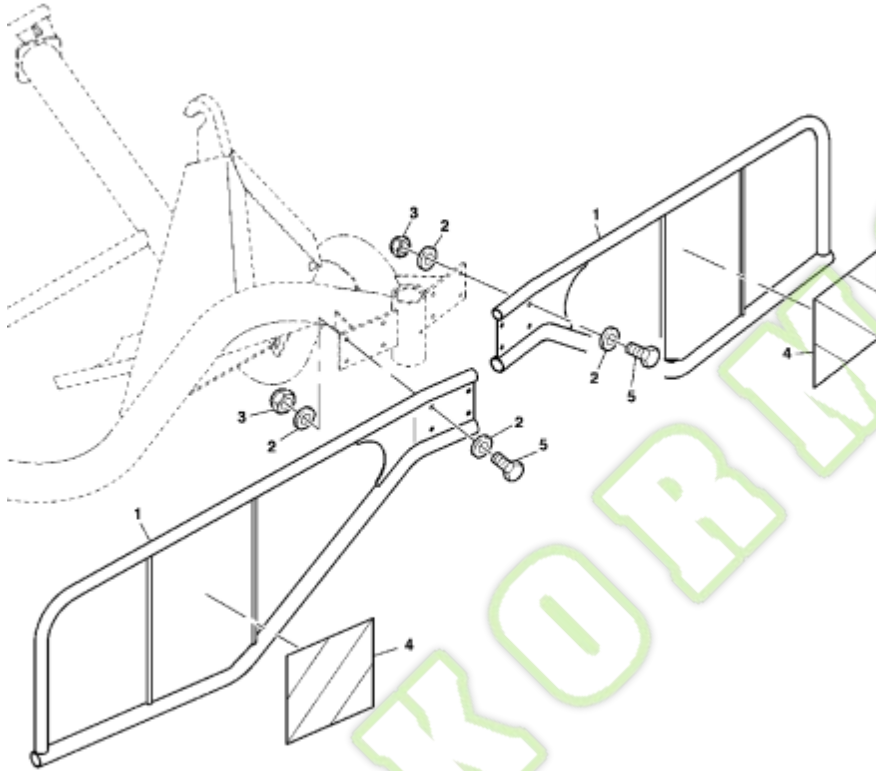
WWW.KORMO.BY

Catalog: 4711 | Grid: 0 | Section: 101 | Page: 81

Catalog Name: **360plus Rotary Harvesting Unit (European Edition)**

Page Name: **Guard**

Direction of Travel:



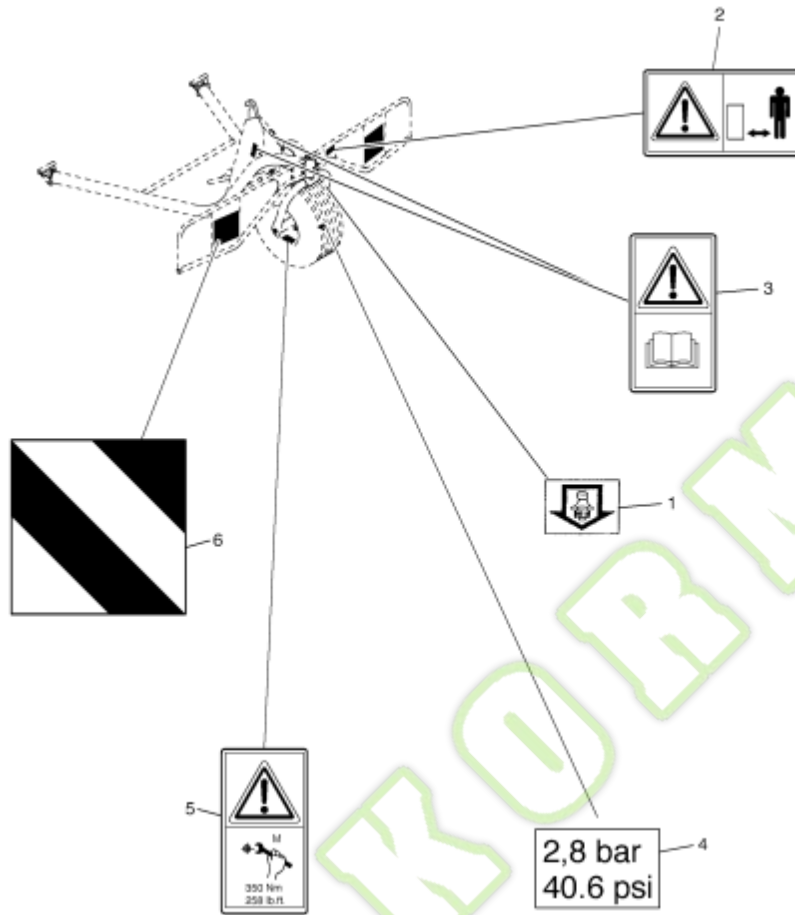
KM000450

| key | PART NO. | PART NAME | QTY | SERIAL NO. | REMARKS |
|-----|----------|-------------|-----|------------|----------|
| 1 | LCA94889 | Guard | 2 | | |
| 2 | LCA71878 | Lock Washer | 8 | | |
| 3 | 14M7167 | Lock Nut | 8 | | M10 |
| 4 | LCA86291 | Safety Sign | 2 | | |
| 5 | 19M7383 | Cap Screw | 8 | | M10 X 55 |

Catalog: 4711 | Grid: 0 | Section: 101 | Page: 82

Catalog Name: **360plus Rotary Harvesting Unit (European Edition)**

Page Name: **Decals - Europe**



KM000833

| key | PART NO. | PART NAME | QTY | SERIAL NO. | REMARKS |
|-----|----------|-------------|-----|------------|---------|
| 1 | LCA30843 | Label | 1 | | |
| 2 | LCA96163 | Label | 1 | | |
| 3 | CC40740 | Label | 2 | | |
| 4 | LCA95901 | Label | 1 | | |
| 5 | LCA95207 | Label | 1 | | |
| 6 | LCA86291 | Safety Sign | 2 | | |