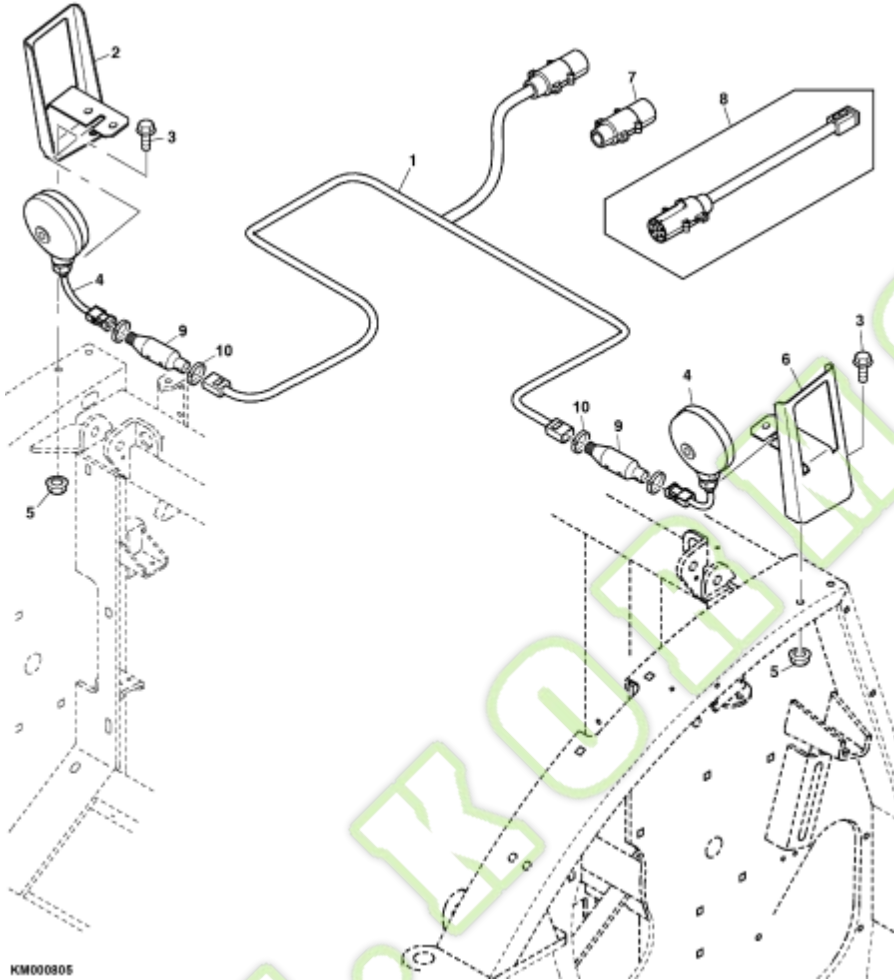


Catalog: 4542 | Grid: 0 | Section: 100 | Page: 1

Catalog Name: **640C Pickup for Self-Propelled Forage Harvester (Worldwide Edition)**

Page Name: **Clearance Lights**

Direction of Travel:



KM000805

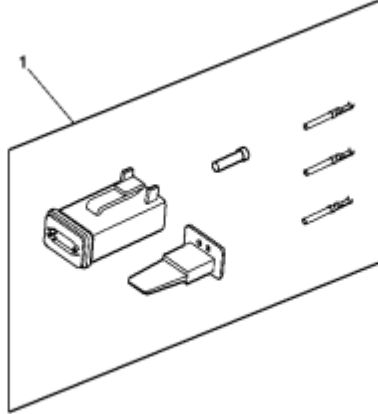
key	PART NO.	PART NAME	QTY	SERIAL NO.	REMARKS
1	LCA101456	Wiring Harness	1		
2	CC109771	Channel	1		
3	19M7785	Screw	4		M10 X 25
4	AH164497	Lamp	2		
5	14M7296	Flange Nut	4		M10
6	CC109772	Channel	1		
7	LCA69091	Electrical Connector Assy	1		
8	LCA101475	Wiring Harness	1		(A)
9	Z100437	Guard	2		
10	R44302	Tie Band	1		

(A) Only for 6X10, 6X50 and 7X50 Series SPFH

Catalog: 4542 | Grid: 0 | Section: 100 | Page: 2

Catalog Name: **640C Pickup for Self-Propelled Forage Harvester (Worldwide Edition)**

Page Name: **Conversion Kit For Previous SPFH - Series**



CC018946

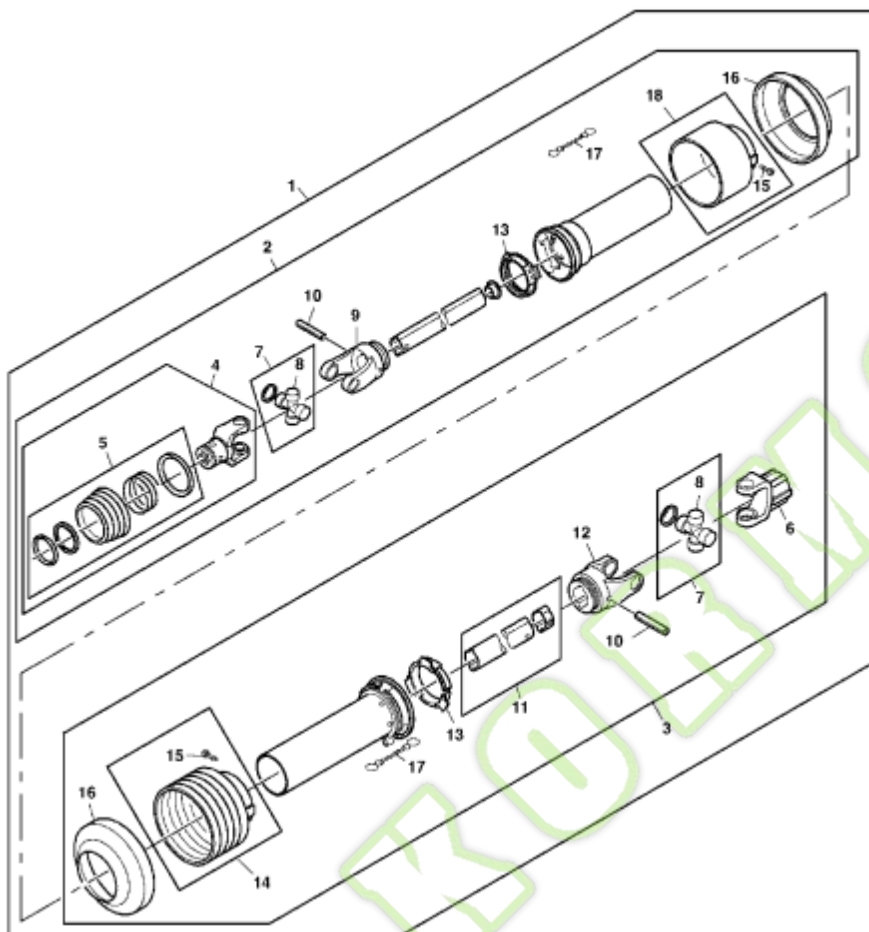
key	PART NO.	PART NAME	QTY	SERIAL NO.	REMARKS
1	DC52060	Wiring Harness	1		

WWW.KORMO.BY

Catalog: 4542 | Grid: 0 | Section: 100 | Page: 3

Catalog Name: **640C Pickup for Self-Propelled Forage Harvester (Worldwide Edition)**

Page Name: **Jointed Shaft**



KM000471

key	PART NO.	PART NAME	QTY	SERIAL NO.	REMARKS
1	DC204766	Universal Joint	1		M=1400Nm
	LCA105388	Universal Joint	1		M=1700Nm
2	DC208489	U-Joint With Shaft & Shield	1		
3	DC208490	U-Joint With Shaft & Shield	1		
4	LCA96080	Yoke With Locking Collar	1		
5	LCA96079	Latch	1		
6	DC202130	Slip Clutch	1		
7	AW23611	Cross And Bearing Assembly	2		
8	58M5577	Lubrication Fitting	2		
9	W37208	Universal Joint Yoke	1		
key	PART NO.	PART NAME	QTY	SERIAL NO.	REMARKS
10	34M7066	Spring Pin	2		10 X 80 mm
11	CC105014	Universal Driveshaft	1		
12	E75143	Universal Joint Yoke	1		
13	W36510	Ring	2		
14	W41382	Powershaft Shield	1		
15	37M7067	Screw	2		

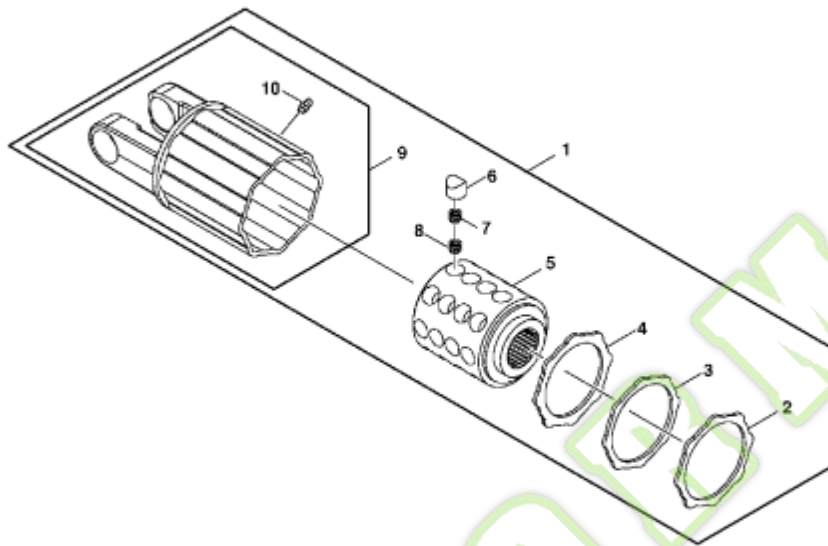
16	W37216	Cap	2		
17	AW24500	Link Chain	2		
18	H235117	Shield	1		

WWW.KORMO.BY

Catalog: 4542 | Grid: 0 | Section: 100 | Page: 4

Catalog Name: **640C Pickup for Self-Propelled Forage Harvester (Worldwide Edition)**

Page Name: **Slip Clutch**



KM000580

key	PART NO.	PART NAME	QTY	SERIAL NO.	REMARKS
1	DC202130	Slip Clutch	1		(A)
2	M86295	Ring	1		
3	M86294	Ring	1		
4	M86293	Ring	1		
5	CC105046	Slip Clutch	1		(A)
6	M86290	Cam	40		
7	M86291	Compression Spring	40		
8	M86292	Compression Spring	40		
9	DC202109	Slip Clutch	1		(A)
10	Z58954	Lubrication Fitting	1		

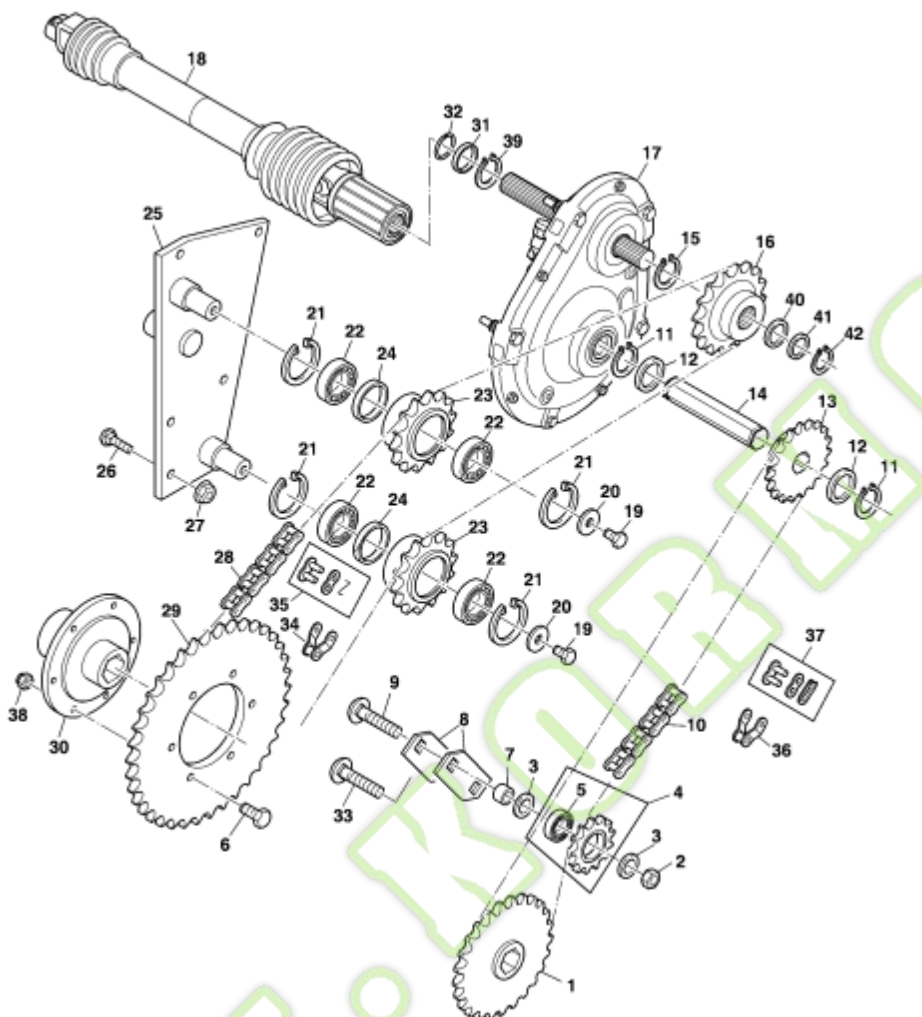
(A) 1400 Nm

Catalog: 4542 | Grid: 0 | Section: 100 | Page: 5

Catalog Name: **640C Pickup for Self-Propelled Forage Harvester (Worldwide Edition)**

Page Name: **Main Drive**

Direction of Travel:



KM000965

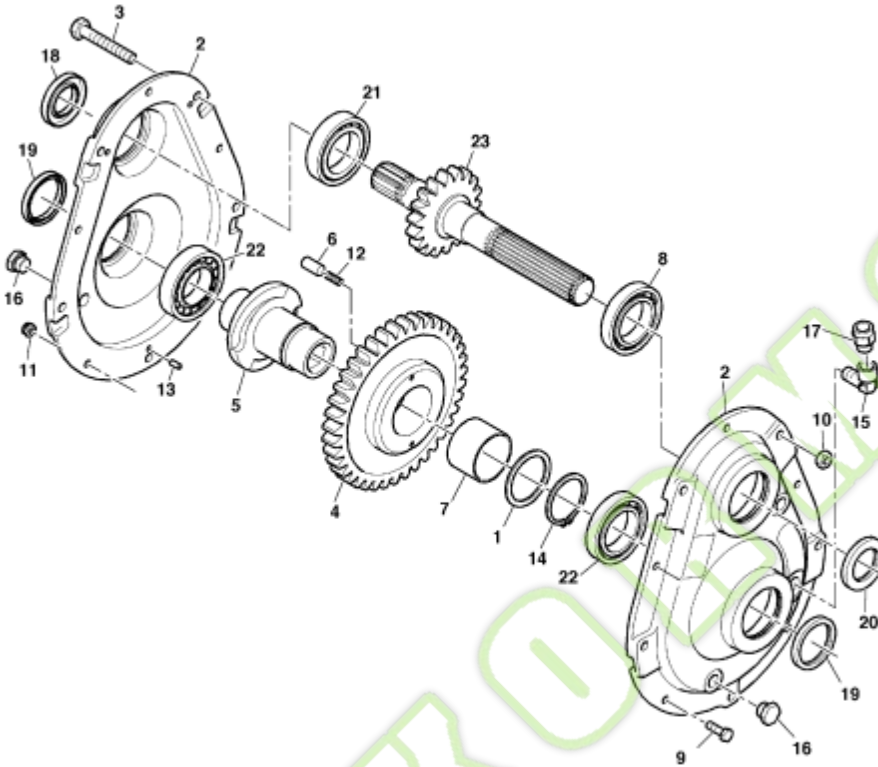
key	PART NO.	PART NAME	QTY	SERIAL NO.	REMARKS
1	LCA101652	Chain Sprocket	1		Z = 25
2	14M7142	Nut	2		M16
3	24H1658	Washer	2		21/32" X 1" X 0.060"
4	LCA100158	Chain Sprocket	1		
5	JD29980	Needle Bearing	1		
6	19M8162	Screw	6		M10 X 40
7	L62282	Bushing	1		
8	E53222	Bracket	2		
9	03M7078	Bolt	1		M16 X 75
10	LCA101656	Roller Chain	1		L = 90
key	PART NO.	PART NAME	QTY	SERIAL NO.	REMARKS
11	40M7081	Snap Ring	2		
12	24M6560	Washer	2		35 X 45 X 2.500 mm
13	LCA101663	Chain Sprocket	1		Z = 19

14	LCA101681	Bar	1		
15	40M7109	Snap Ring	1		
16	LCA101845	Chain Sprocket	1	-115212	Z = 16
	LCA102573	Chain Sprocket	1	115213-	Z = 17
17	LCA105345	Transmission	1		
18	DC204766	Universal Joint	1		M=1400Nm
	LCA105388	Universal Joint	1		M=1700Nm
key	PART NO.	PART NAME	QTY	SERIAL NO.	REMARKS
19	19M7872	Cap Screw	2		M12 X 25
20	24H1351	Washer	2		9/16" X 1-1/2" X 0.164"
21	40M7043	Snap Ring	4		
22	JD30115	Ball Bearing	4		
23	LCA101852	Chain Sprocket	2	-115212	Z = 14
	LCA102578	Chain Sprocket	1	115213-	Z = 16
24	LCA101640	Bushing	2		
25	LCA101645	Support	1	-115212	
	LCA102576	Support	1	115213-	
26	03M7199	Bolt	5		M12 X 35
key	PART NO.	PART NAME	QTY	SERIAL NO.	REMARKS
27	14M7299	Flange Nut	5		M12
28	LCA101846	Roller Chain	1		L = 76
29	LCA101844	Chain Sprocket	1	-115212	Z = 38
	LCA102571	Chain Sprocket	1	115213-	Z = 40
30	LCA101946	Bushing	1		
31	CC106676	Washer	1		
32	40M7190	Snap Ring	1		
33	03M7209	Bolt	1		M16 X 60
34	LCA102512	Chain Link	1		
35	LCA105324	Chain Link	1		
key	PART NO.	PART NAME	QTY	SERIAL NO.	REMARKS
36	LCA102514	Chain Link	1		
37	LCA102513	Chain Link	1		
38	14M7167	Lock Nut	6		M10
39	40M7046	Snap Ring	1		
40	24M7357	Washer	1	117162-	30 X 50 X 4 mm
41	24M7597	Washer	1	117162-	30 X 42 X 1.500 mm
42	40M7109	Snap Ring	1	-117161	
	40M7098	Snap Ring	1	117162-	

Catalog: 4542 | Grid: 0 | Section: 100 | Page: 6

Catalog Name: **640C Pickup for Self-Propelled Forage Harvester (Worldwide Edition)**

Page Name: **Transmission**



KM000722

key	PART NO.	PART NAME	QTY	SERIAL NO.	REMARKS
1	LCA97465	Washer	1		
2	LCA97468	Housing	2		
3	19M8498	Cap Screw	5		M10 X 65
4	LCA97463	Gear	1		
5	LCA97466	Hub	1		
6	LCA97473	Cam	2		
7	LCA97464	Bushing	1		
8	JD9345	Ball Bearing	1		
9	19M7163	Cap Screw	5		M8 X 25
10	14M7167	Lock Nut	5		M10
key	PART NO.	PART NAME	QTY	SERIAL NO.	REMARKS
11	14M7166	Lock Nut	5		M8
12	LCA97469	Compression Spring	2		
13	44M7146	Dowel Pin	2		6 X 14 mm
14	40M7268	Snap Ring	1		
15	LCA97471	Elbow Fitting	1		

16	LCA97472	Pipe Plug	5		
17	LCA97470	Pressure Relief Fitting	1		
18	LCA97474	Seal	1		
19	LCA72289	Seal	2		
20	AZ49525	Seal	1		
key	PART NO.	PART NAME	QTY	SERIAL NO.	REMARKS
21	AT155200	Roller Bearing	1		
22	JD8568	Ball Bearing	2		
23	LCA97467	Shaft	1		ORD W/ LCA105704 and 19M7872

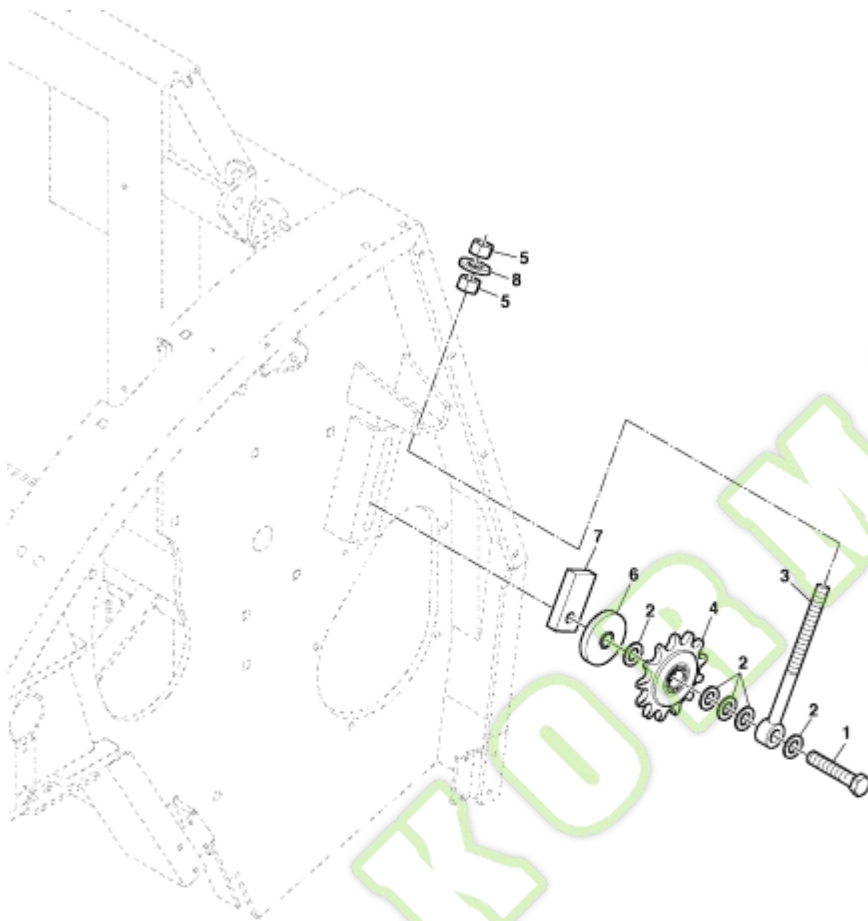
WWW.KORMO.BY

Catalog: 4542 | Grid: 0 | Section: 100 | Page: 7

Catalog Name: **640C Pickup for Self-Propelled Forage Harvester (Worldwide Edition)**

Page Name: **Main Drive**

Direction of Travel:



KM000757

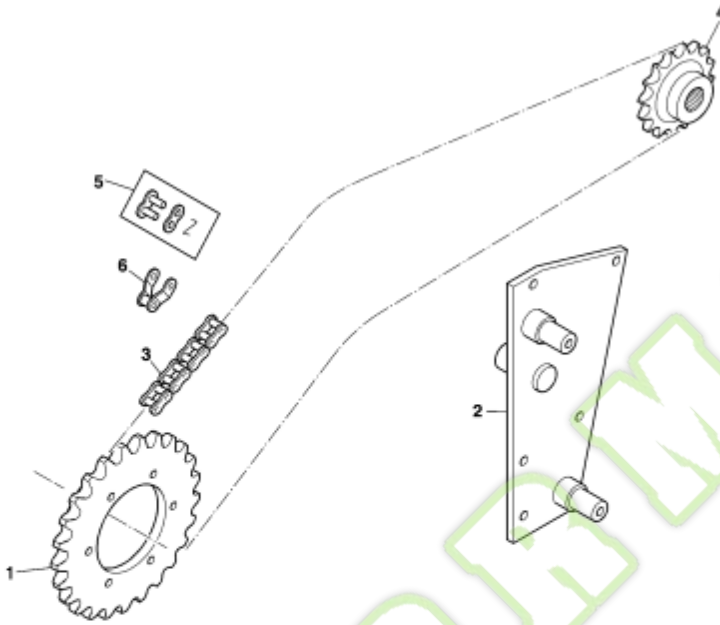
key	PART NO.	PART NAME	QTY	SERIAL NO.	REMARKS
1	19M7481	Cap Screw	1		M16 X 80
2	24M7053	Washer	5		17 X 30 X 3 mm
3	21M7590	Eyebolt	1		
4	DC34074	Chain Sprocket	1		
5	14M7142	Nut	2		M16
6	LCA103893	Washer	1		
7	CC107531	Plate	1		
8	24M7439	Washer	1		17 X 40 X 6 mm

Catalog: 4542 | Grid: 0 | Section: 100 | Page: 8

Catalog Name: **640C Pickup for Self-Propelled Forage Harvester (Worldwide Edition)**

Page Name: **Option, For High Speed Of The Feed Auger**

Direction of Travel:



KM000964

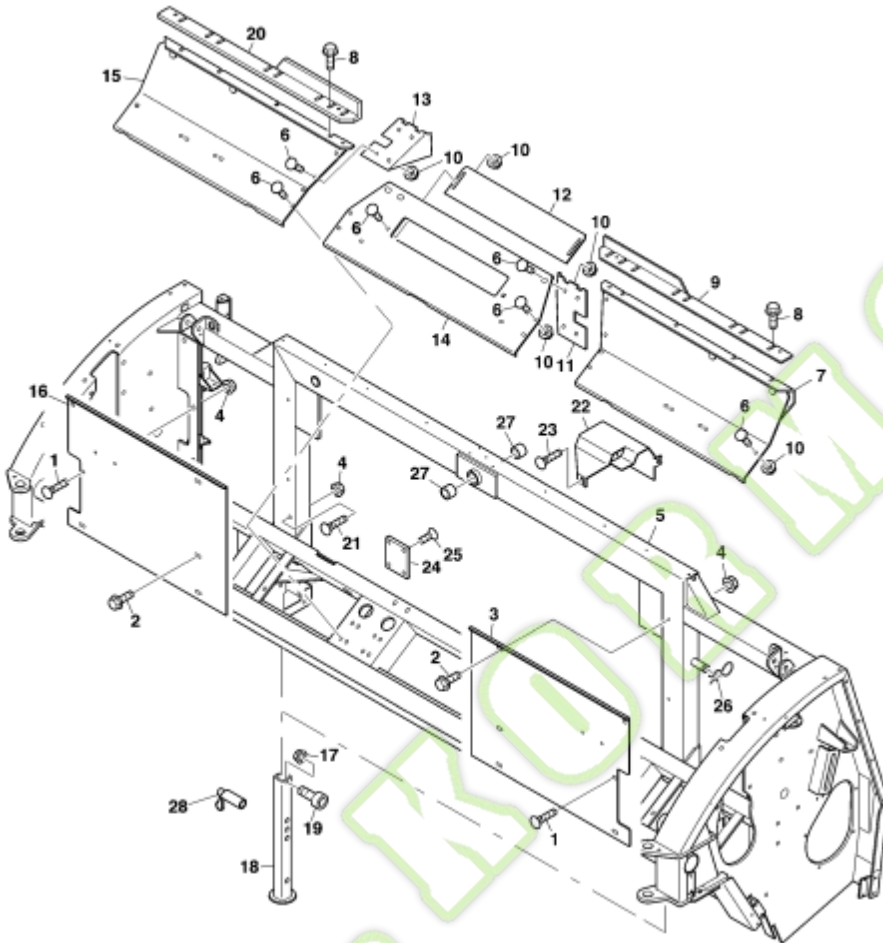
key	PART NO.	PART NAME	QTY	SERIAL NO.	REMARKS
1	LCA101843	Chain Sprocket	1	-115212	Z = 30
	LCA102572	Chain Sprocket	1	115213-	Z = 32
2	LCA101850	Holder	1	-115212	
	LCA102576	Support	1	115213-	
3	LCA101862	Roller Chain	1	-115212	L = 62
	LCA101846	Roller Chain	1	115213-	L = 78
4	LCA102574	Chain Sprocket	1	115213-	Z = 15
5	LCA105324	Chain Link	1		
6	LCA102512	Chain Link	1		
..	LCA102077	Adapter Kit	1		

Catalog: 4542 | Grid: 0 | Section: 100 | Page: 9

Catalog Name: **640C Pickup for Self-Propelled Forage Harvester (Worldwide Edition)**

Page Name: **Oscillating Frame And Attachments**

Direction of Travel:



KM001505

key	PART NO.	PART NAME	QTY	SERIAL NO.	REMARKS
1	03M7197	Bolt	AR		M12 X 25
2	37M7087	Screw	AR		M10 X 25
3	LCA101996	Sheet	1		
4	14M7299	Flange Nut	AR		M12
5	LCA101980	Main Frame	1		
6	03M7191	Bolt	AR		M10 X 25
7	LCA102092	Sheet	1		
8	19M7784	Screw	AR		M10 X 20
9	LCA104830	Stripper	1		
10	14M7296	Flange Nut	AR		M10
key	PART NO.	PART NAME	QTY	SERIAL NO.	REMARKS
11	LCA104513	Guide	1		
12	LCA102812	Frame	1		
13	LCA104512	Guide	1		

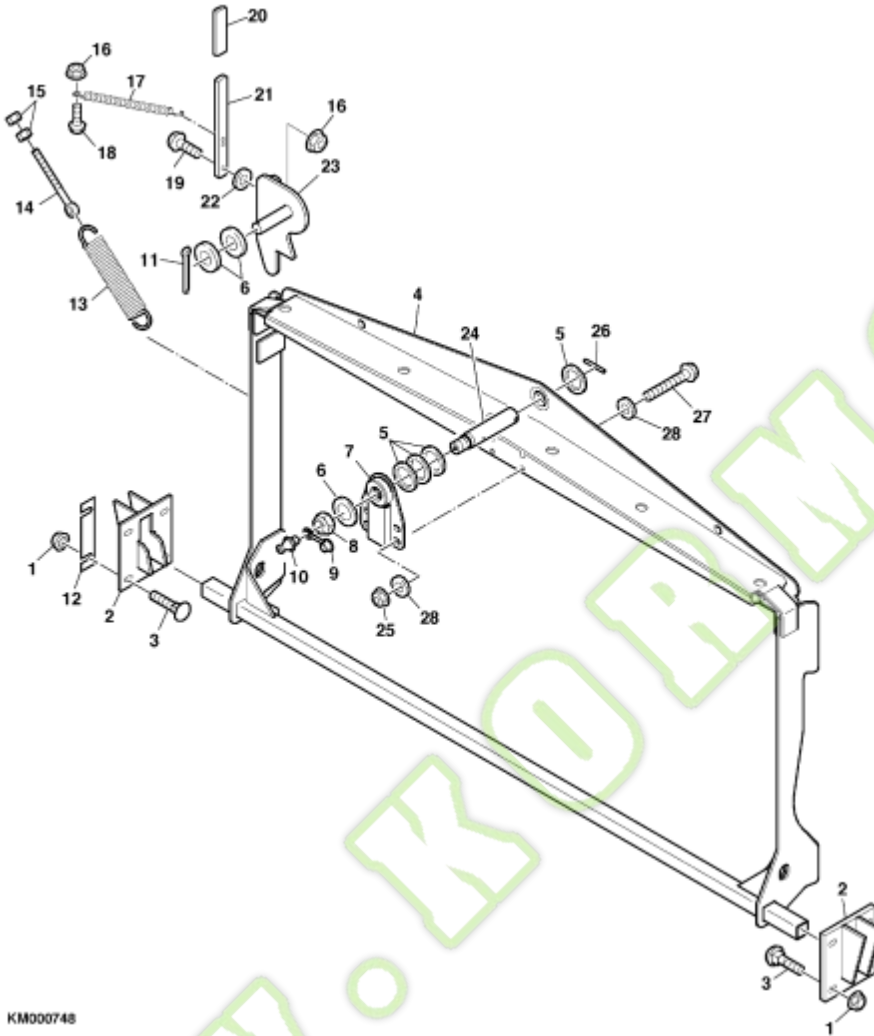
14	LCA102811	Sheet	1		
15	LCA101975	Sheet	1		
16	LCA101997	Sheet	1		
17	14M7165	Lock Nut	2		M6
18	LCA96395	Stand	2		
19	19M7768	Screw	2		M6 X 16
20	LCA104831	Stripper	1		
key	PART NO.	PART NAME	QTY	SERIAL NO.	REMARKS
21	03M7112	Bolt	2		M12 X 100
22	LCA102011	Guard	1		
23	03M7089	Bolt	1		M12 X 30
24	CC32231	Plate	2		
25	21M7194	Screw	8		M6 X 12
26	267SE	Spring Locking Pin	1		
27	U13486	Bushing	2		
28	LCA104172	Latch	2		

Catalog: 4542 | Grid: 0 | Section: 100 | Page: 10

Catalog Name: **640C Pickup for Self-Propelled Forage Harvester (Worldwide Edition)**

Page Name: **Pivot Assembly**

Direction of Travel:



KM000748

key	PART NO.	PART NAME	QTY	SERIAL NO.	REMARKS
1	14M7299	Flange Nut	8		M12
2	DC200963	Guide	2		
3	03M7198	Bolt	8		M12 X 30
4	LCA102590	Frame	1		
5	24M6827	Washer	AR		40 X 50 X 1 mm
6	24M7202	Washer	3		31 X 56 X 4 mm
7	LCA102589	Bracket	1		
8	14M7176	Lock Nut	1		M30
9	CC49644	Cap	1		
10	58M5575	Lubrication Fitting	1		
key	PART NO.	PART NAME	QTY	SERIAL NO.	REMARKS
11	11M7034	Cotter Pin	1		5 X 63 mm
12	LCA101630	Strap	AR		
13	E45695	Spring	1		

14	H131088	Eyebolt	1		
15	14M7276	Nut	2		M16
16	14M7167	Lock Nut	2		M10
17	Z56099	Extension Spring	1		
18	19M7784	Screw	1		M10 X 20
19	19M7786	Screw	1		M10 X 30
20	E53012	Grip	1		
key	PART NO.	PART NAME	QTY	SERIAL NO.	REMARKS
21	CC104523	Strap	1		
22	24M7106	Washer	1		10 X 18 X 2.500 mm
23	DC201954	Latch	1		
24	LCA102592	Pin Fastener	1		
25	14M7168	Lock Nut	4		M12
26	34M7052	Spring Pin	1		8 X 65 mm
27	19M8413	Cap Screw	4		M12 X 150
28	24M7047	Washer	8		13 X 24 X 2.500 mm

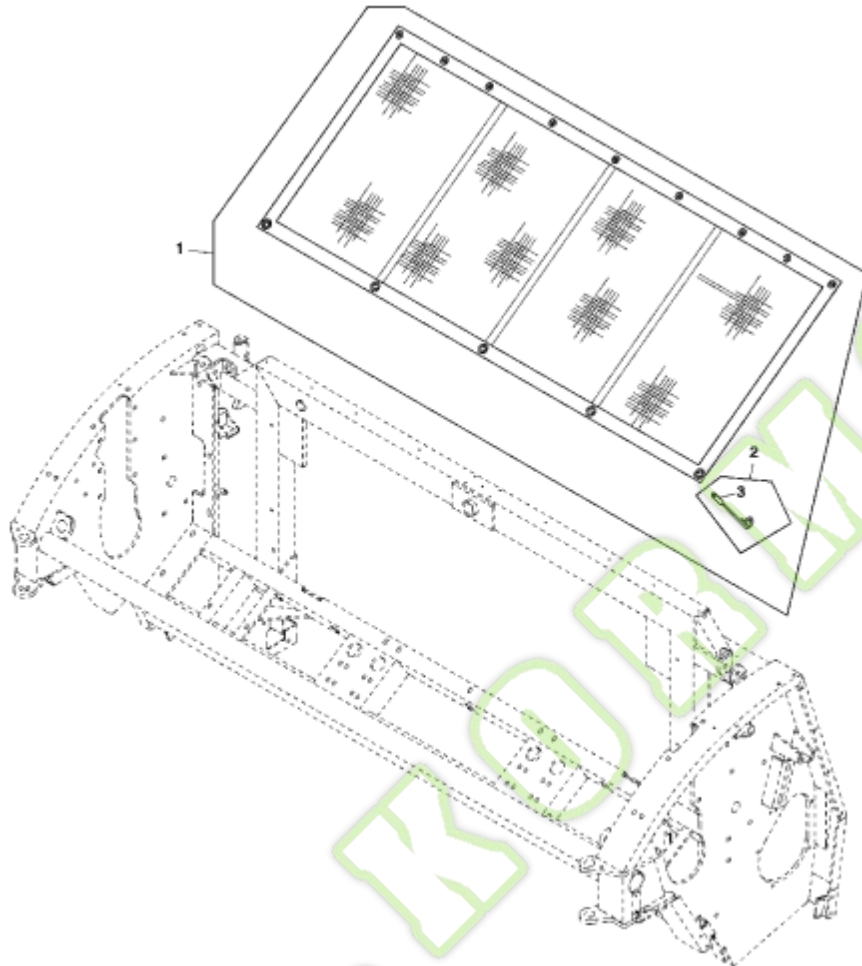
WWW.KORMO.BY

Catalog: 4542 | Grid: 0 | Section: 100 | Page: 11

Catalog Name: **640C Pickup for Self-Propelled Forage Harvester (Worldwide Edition)**

Page Name: **Trash Net**

Direction of Travel:



KM000526

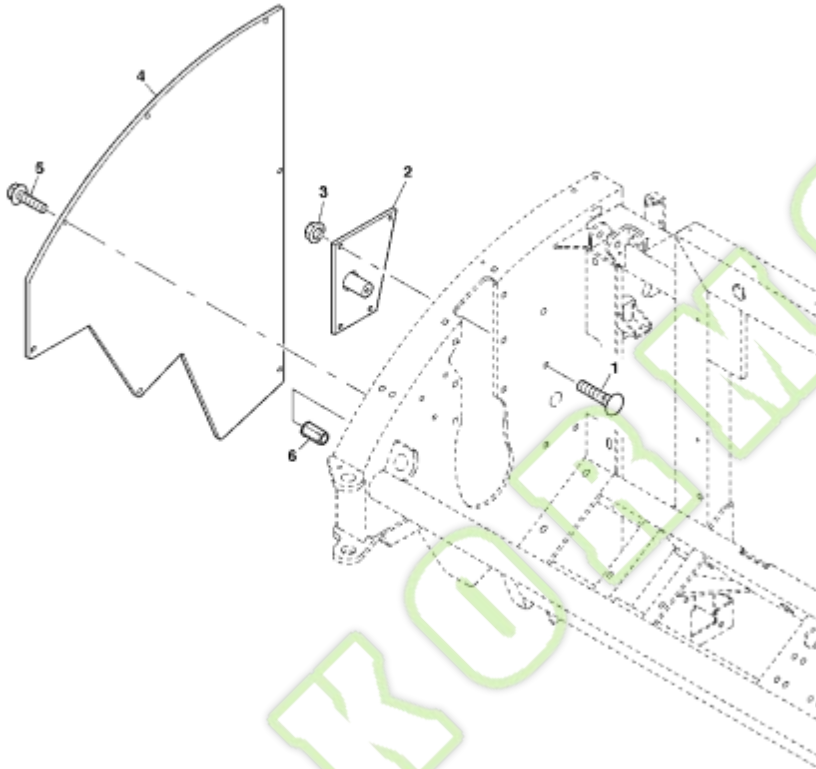
key	PART NO.	PART NAME	QTY	SERIAL NO.	REMARKS
1	LCA103887	Guard	1	-117161	860 x 3257 mm
	LCA105150	Dust Shield	1	117162-	1380 x 3257 mm
2	DC206643	Tie-Down Strap	AR		
3	CC110165	Retainer	AR		

Catalog: 4542 | Grid: 0 | Section: 100 | Page: 12

Catalog Name: **640C Pickup for Self-Propelled Forage Harvester (Worldwide Edition)**

Page Name: **Cover (Right Side)**

Direction of Travel:



KM000527

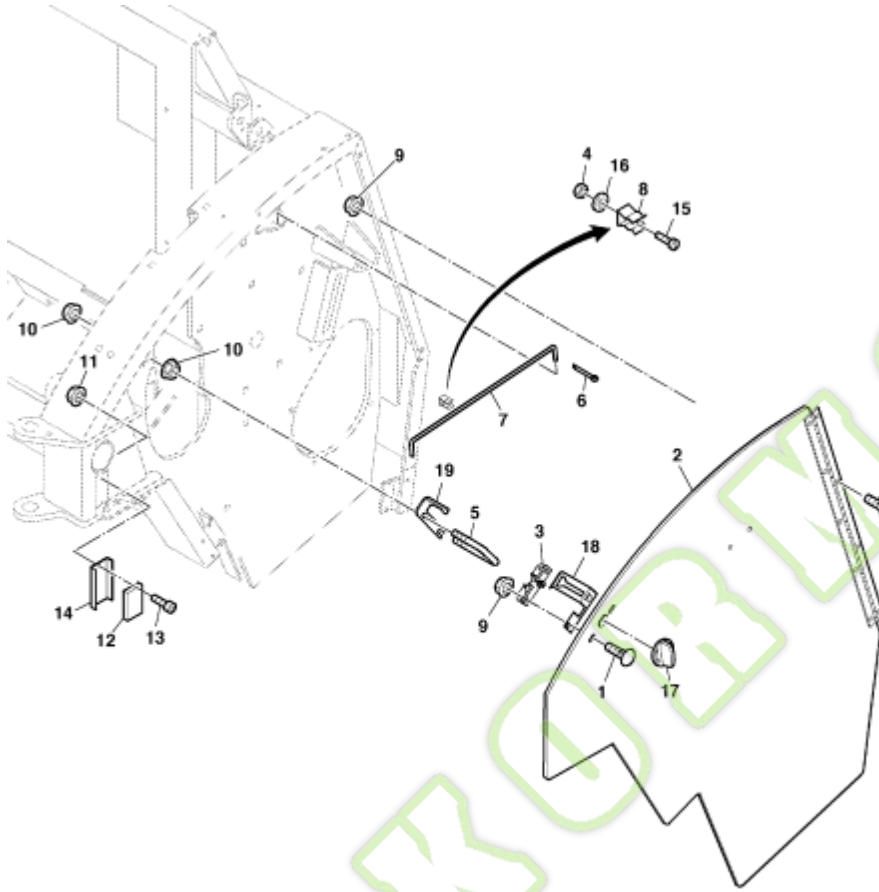
key	PART NO.	PART NAME	QTY	SERIAL NO.	REMARKS
1	03M7199	Bolt	4		M12 X 35
2	LCA105917	Support	1		
3	14M7299	Flange Nut	4		M12
4	LCA101807	Sheet	1		
5	19M7868	Screw	7		M8 X 30
6	CC100342	Nut	7		

Catalog: 4542 | Grid: 0 | Section: 100 | Page: 13

Catalog Name: **640C Pickup for Self-Propelled Forage Harvester (Worldwide Edition)**

Page Name: **Cover (Left Side)**

Direction of Travel:



KM000756

key	PART NO.	PART NAME	QTY	SERIAL NO.	REMARKS
1	03M7184	Bolt	AR		M8 X 20
2	LCA102024	Guard	1		
3	AZ102725	Buckle	1		
4	14M7030	Nut	1		M3
5	LCA101712	U-Bolt	1		
6	11M7087	Cotter Pin	1		4 X 40 mm
7	LCA102124	Pin Fastener	1	-115212	
	LCA102255	Bar	1	115213-119656	
	LCA105776	Bar	1	119657-	
8	LCA102125	Clip	1		
key	PART NO.	PART NAME	QTY	SERIAL NO.	REMARKS
9	14M7298	Flange Nut	AR		M8
10	14M7296	Flange Nut	AR		M10
11	14M7568	Lock Nut	AR		M5



12	AM102170	Magnet	4		
13	19M8299	Screw	AR		M5 X 16
14	M91405	Shield	4		
15	21M7042	Screw	1		M3 X 16
16	24M7146	Washer	1		4.300 X 12 X 1 mm
17	Z63847	Handle	1		(A)
18	LCA102251	Sheet	1		
key	PART NO.	PART NAME	QTY	SERIAL NO.	REMARKS
19	LCA102249	Sheet	1		

(A) Only for CANADA and U.S.A.

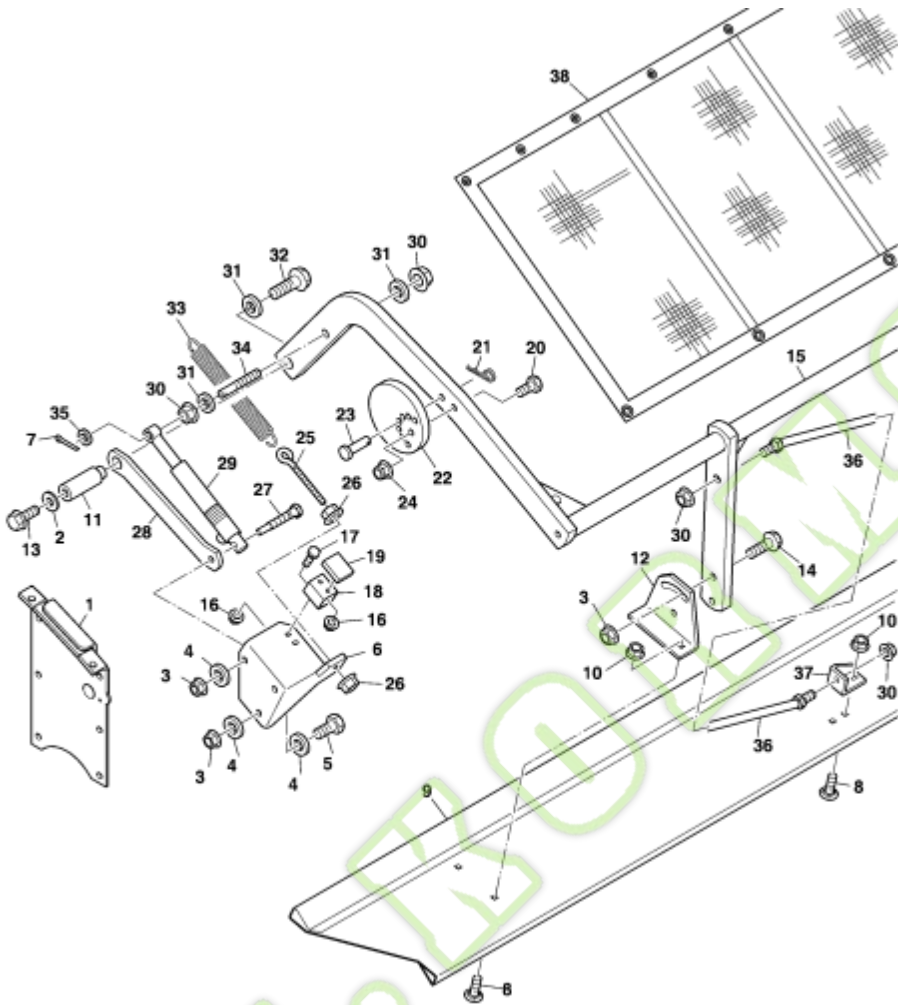
WWW.KORMO.BY

Catalog: 4542 | Grid: 0 | Section: 100 | Page: 14

Catalog Name: **640C Pickup for Self-Propelled Forage Harvester (Worldwide Edition)**

Page Name: **Crop Deflector**

Direction of Travel:

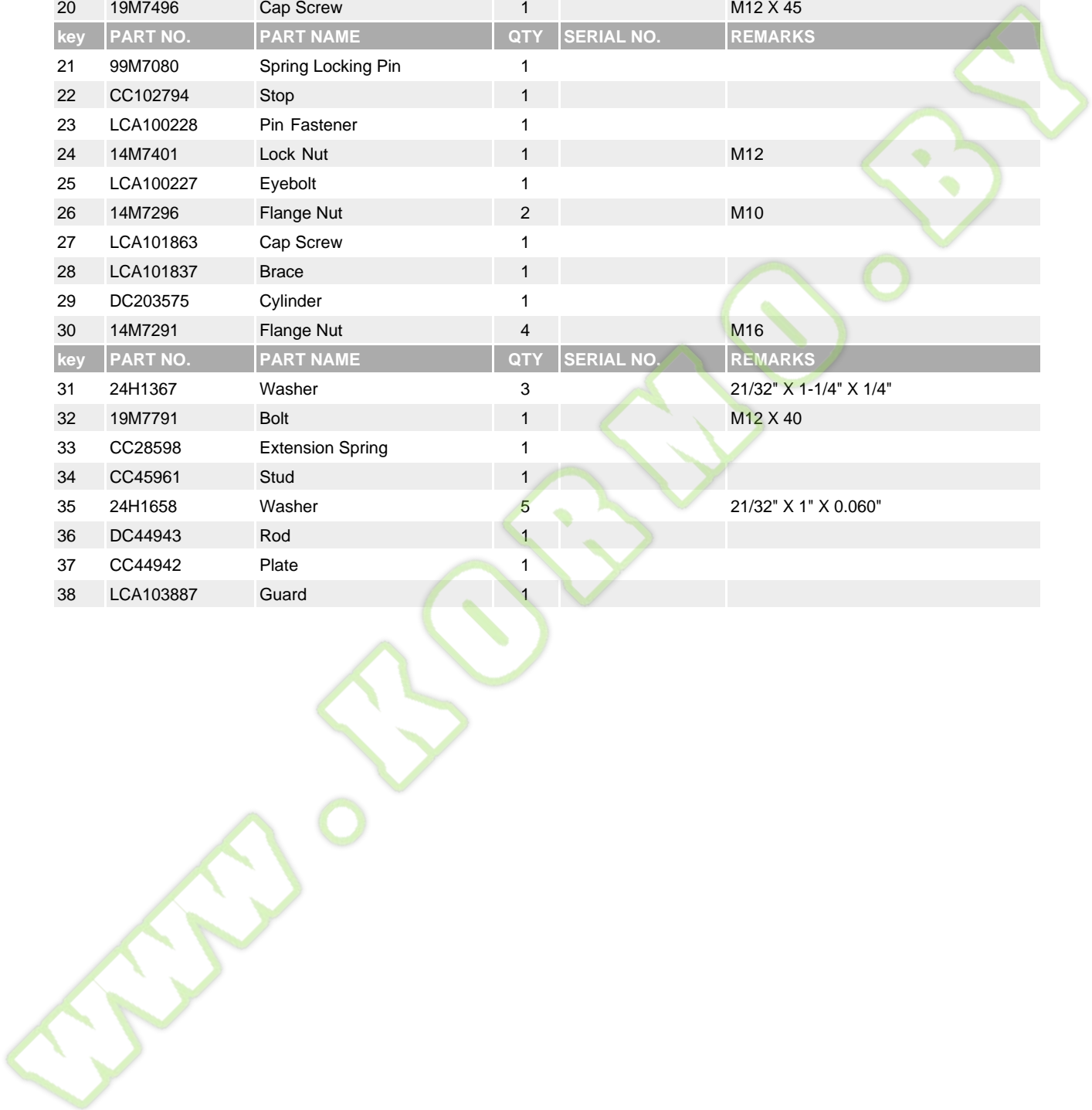


KM000972

key	PART NO.	PART NAME	QTY	SERIAL NO.	REMARKS
1	LCA102018	Reinforcement	1		
2	24H1373	Washer	1		21/32" X 1-9/16" X 0.180"
3	14M7299	Flange Nut	5		M12
4	24M7047	Washer	5		13 X 24 X 2.500 mm
5	19M8011	Cap Screw	2		M12 X 30
6	LCA101840	Holder	1		
7	11M7028	Cotter Pin	1		5 X 32 mm
8	03M7183	Bolt	2		M8 X 16
9	LCA100179	Sheet	1		
10	14M7298	Flange Nut	4		M8
key	PART NO.	PART NAME	QTY	SERIAL NO.	REMARKS
11	LCA101839	Pin Fastener	1		
12	CC43569	Sheet	1		
13	19M7844	Screw	1		M16 X 45



14	19M7789	Screw	2		M12 X 30
15	DC49501	Beam	1		
16	14M7303	Flange Nut	4		M6
17	19M7077	Cap Screw	2		M6 X 20
18	CC110154	Structural Tube	1		
19	AZ101953	Absorber	1		
20	19M7496	Cap Screw	1		M12 X 45
key	PART NO.	PART NAME	QTY	SERIAL NO.	REMARKS
21	99M7080	Spring Locking Pin	1		
22	CC102794	Stop	1		
23	LCA100228	Pin Fastener	1		
24	14M7401	Lock Nut	1		M12
25	LCA100227	Eyebolt	1		
26	14M7296	Flange Nut	2		M10
27	LCA101863	Cap Screw	1		
28	LCA101837	Brace	1		
29	DC203575	Cylinder	1		
30	14M7291	Flange Nut	4		M16
key	PART NO.	PART NAME	QTY	SERIAL NO.	REMARKS
31	24H1367	Washer	3		21/32" X 1-1/4" X 1/4"
32	19M7791	Bolt	1		M12 X 40
33	CC28598	Extension Spring	1		
34	CC45961	Stud	1		
35	24H1658	Washer	5		21/32" X 1" X 0.060"
36	DC44943	Rod	1		
37	CC44942	Plate	1		
38	LCA103887	Guard	1		

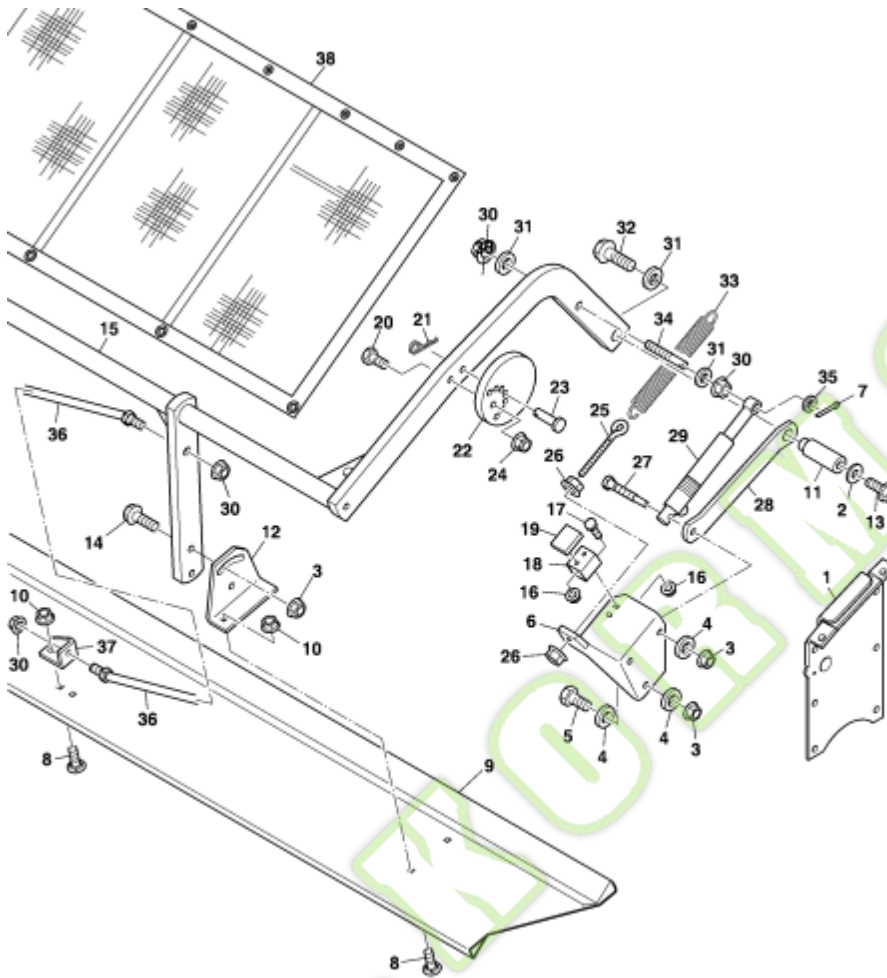


Catalog: 4542 | Grid: 0 | Section: 100 | Page: 15

Catalog Name: **640C Pickup for Self-Propelled Forage Harvester (Worldwide Edition)**

Page Name: **Crop Deflector**

Direction of Travel:

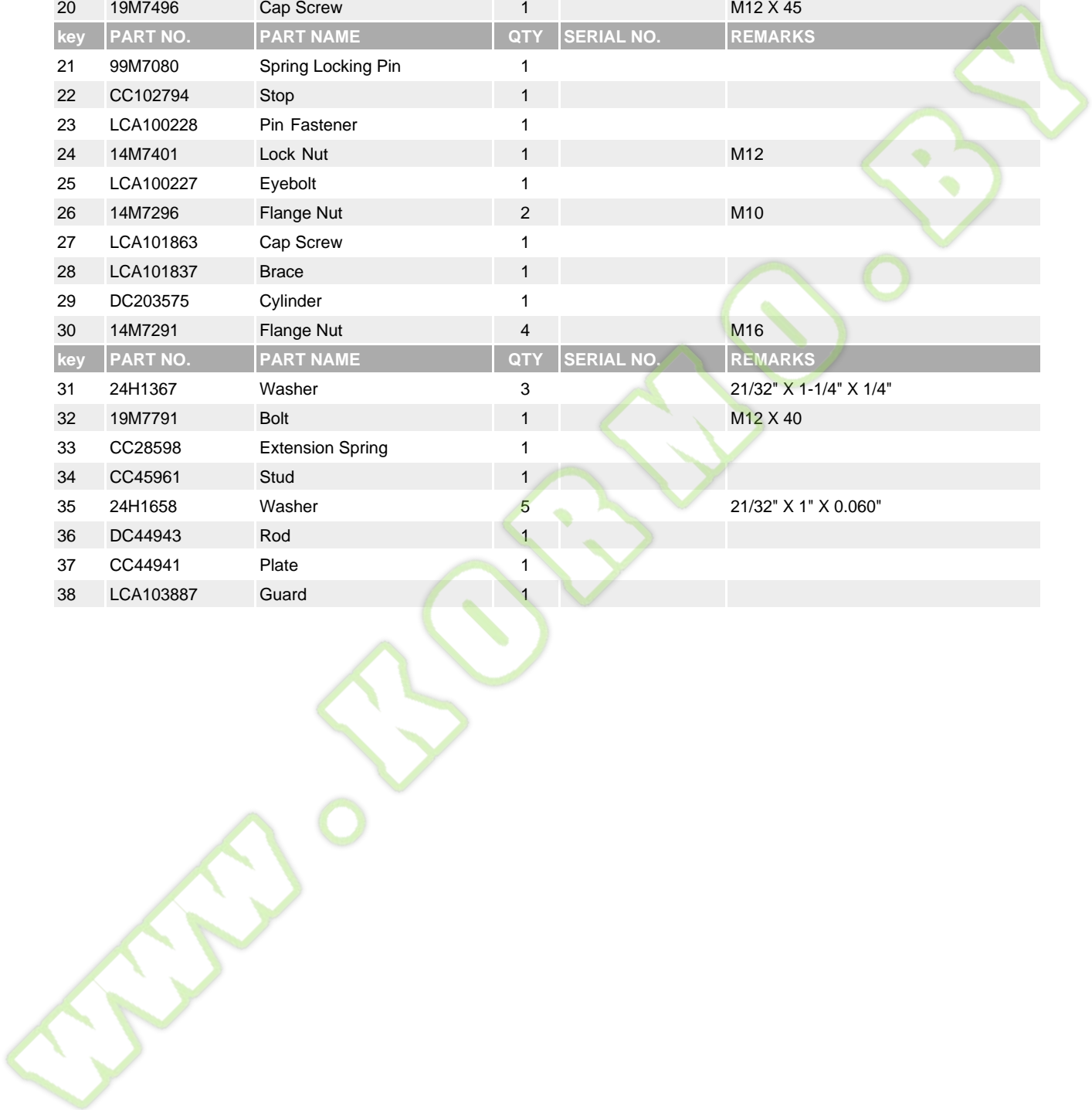


KM000973

key	PART NO.	PART NAME	QTY	SERIAL NO.	REMARKS
1	LCA102017	Reinforcement	1		
2	24H1373	Washer	1		21/32" X 1-9/16" X 0.180"
3	14M7299	Flange Nut	5		M12
4	24M7047	Washer	5		13 X 24 X 2.500 mm
5	19M8011	Cap Screw	2		M12 X 30
6	LCA101818	Holder	1		
7	11M7028	Cotter Pin	1		5 X 32 mm
8	03M7183	Bolt	2		M8 X 16
9	LCA100179	Sheet	1		
10	14M7298	Flange Nut	4		M8
key	PART NO.	PART NAME	QTY	SERIAL NO.	REMARKS
11	LCA101839	Pin Fastener	1		
12	CC43569	Sheet	1		
13	19M7844	Screw	1		M16 X 45



14	19M7789	Screw	2		M12 X 30
15	DC49501	Beam	1		
16	14M7303	Flange Nut	4		M6
17	19M7077	Cap Screw	2		M6 X 20
18	CC110154	Structural Tube	1		
19	AZ101953	Absorber	1		
20	19M7496	Cap Screw	1		M12 X 45
key	PART NO.	PART NAME	QTY	SERIAL NO.	REMARKS
21	99M7080	Spring Locking Pin	1		
22	CC102794	Stop	1		
23	LCA100228	Pin Fastener	1		
24	14M7401	Lock Nut	1		M12
25	LCA100227	Eyebolt	1		
26	14M7296	Flange Nut	2		M10
27	LCA101863	Cap Screw	1		
28	LCA101837	Brace	1		
29	DC203575	Cylinder	1		
30	14M7291	Flange Nut	4		M16
key	PART NO.	PART NAME	QTY	SERIAL NO.	REMARKS
31	24H1367	Washer	3		21/32" X 1-1/4" X 1/4"
32	19M7791	Bolt	1		M12 X 40
33	CC28598	Extension Spring	1		
34	CC45961	Stud	1		
35	24H1658	Washer	5		21/32" X 1" X 0.060"
36	DC44943	Rod	1		
37	CC44941	Plate	1		
38	LCA103887	Guard	1		

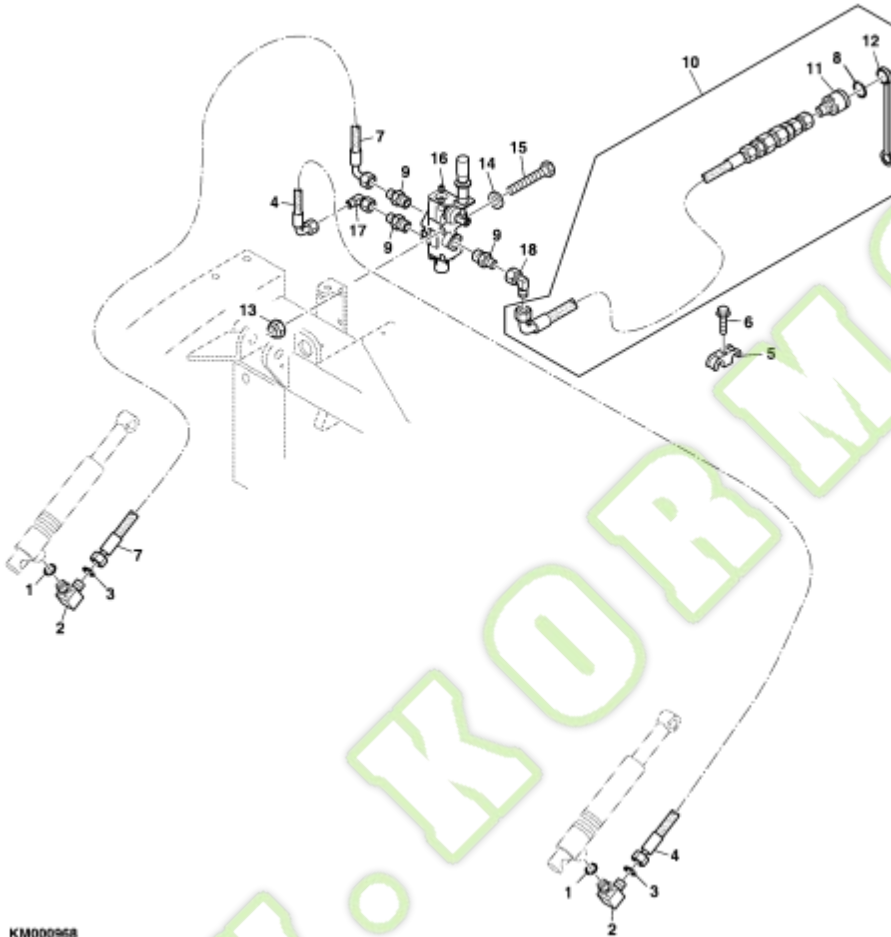


Catalog: 4542 | Grid: 0 | Section: 100 | Page: 16

Catalog Name: **640C Pickup for Self-Propelled Forage Harvester (Worldwide Edition)**

Page Name: **Hydraulic Cylinder And Components For Crop Deflector**

Direction of Travel:



KM000968

key	PART NO.	PART NAME	QTY	SERIAL NO.	REMARKS
1	R28782	O-Ring	2		
2	38H1003	Elbow Fitting	2		
3	T77814	O-Ring	3		
4	LCA102142	Hydraulic Hose	1	-117161	
	LCA105160	Hydraulic Hose	1	117162-	
5	Z44220	Clamp	AR		
6	37M7232	Screw	AR		M6 X 55
7	LCA102143	Hydraulic Hose	1		
8	Z29863	O-Ring	1		
9	LCA42534	Union Fitting	3		
key	PART NO.	PART NAME	QTY	SERIAL NO.	REMARKS
10	LCA102126	Hydraulic Hose	1	-117161	
	LCA105137	Hydraulic Hose	1	117162-	
11	AZ19455	Hydr. Quick Coupler Socket	1		

12	AZ19456	Dust Shield	1		
13	14M7165	Lock Nut	3		M6
14	Z26250	Washer	3		
15	19M8360	Cap Screw	3		M6 X 60
16	LCA101300	Valve	1		
17	LCA63595	Elbow Fitting	1		
18	LCA63595	Elbow Fitting	1	117162-	

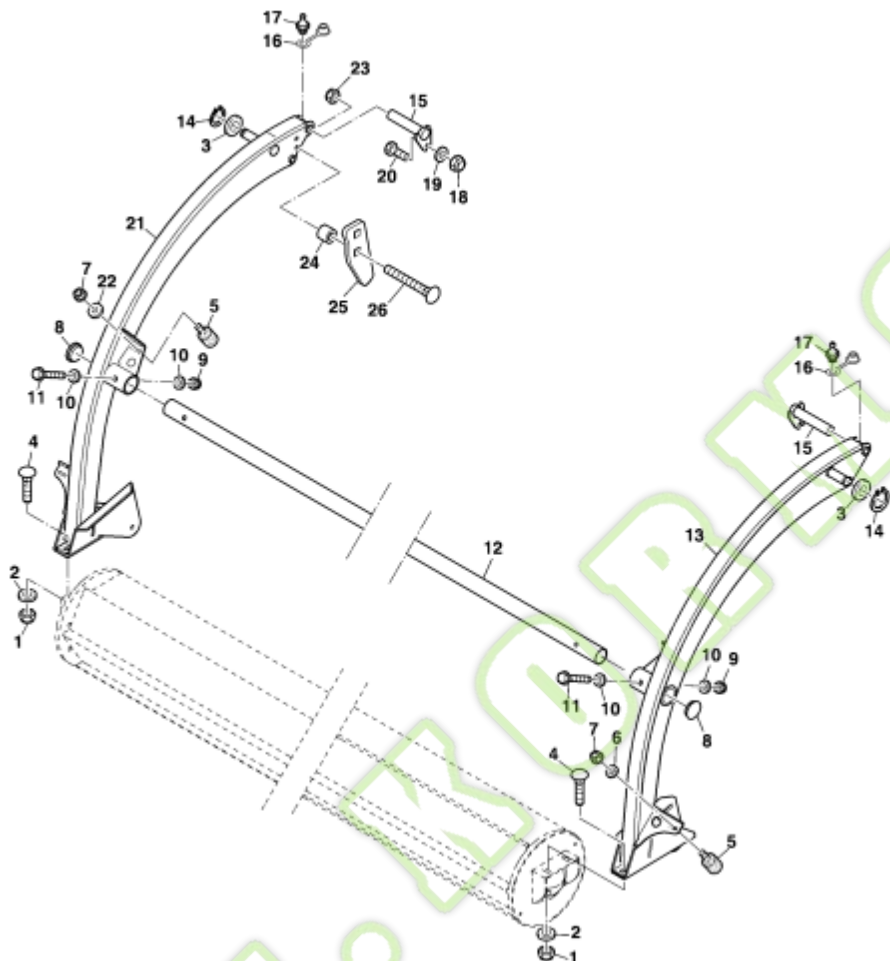
WWW.KORMO.BY

Catalog: 4542 | Grid: 0 | Section: 100 | Page: 17

Catalog Name: **640C Pickup for Self-Propelled Forage Harvester (Worldwide Edition)**

Page Name: **Roller Compression Unit**

Direction of Travel:



KM000976

key	PART NO.	PART NAME	QTY	SERIAL NO.	REMARKS
1	14M7167	Lock Nut	4		M10
2	24M7179	Washer	4		8.400 X 24 X 2 mm
3	24M7046	Washer	4		26 X 40 X 4 mm
	L156217	Washer	8		26 X 37 X 1 mm
4	03M7191	Bolt	4		M10 X 25
5	AZ101953	Absorber	4	-115212	
	LCA54063	Bumper	4	115213-	
6	LCA100341	Spacer	AR	-115212	TK = 4,0 mm
	LCA100371	Spacer	AR	-115212	TK = 1,5 mm
	24M7476	Washer	2	115213-	8.400 X 21 X 4 mm
key	PART NO.	PART NAME	QTY	SERIAL NO.	REMARKS
7	14M7303	Flange Nut	4	-115212	M6
	14M7166	Lock Nut	4	115213-	M8
8	LCA101951	Plug	2		

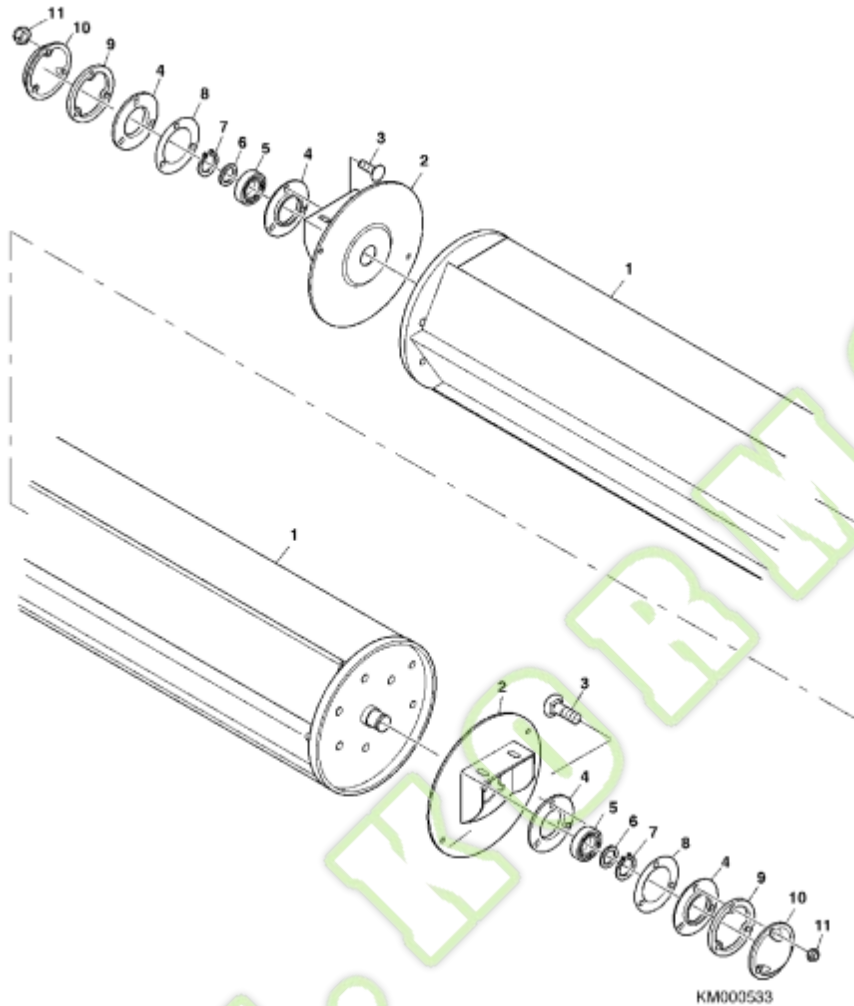
9	14M7168	Lock Nut	2		M12
10	24M7047	Washer	4		13 X 24 X 2.500 mm
11	19M7364	Cap Screw	2		M12 X 80
12	LCA102116	Tube	1		
13	LCA112347	Lift Arm	1		
14	40M7259	Snap Ring	2		
15	LCA101414	Pin Fastener	2		
key	PART NO.	PART NAME	QTY	SERIAL NO.	REMARKS
16	CC49644	Cap	2		
17	58M5573	Lubrication Fitting	2		
18	14M7165	Lock Nut	2		M6
19	24M7054	Washer	2		6.400 X 12 X 1.600 mm
20	19M7077	Cap Screw	2		M6 X 20
21	LCA112348	Lift Arm	1		
22	LCA100341	Spacer	AR	-115212	TK = 4,0 mm
	LCA100371	Spacer	AR	-115213	TK = 1,5 mm
	24M7024	Washer	2	115213-	9 X 28 X 3 mm
23	14M7166	Lock Nut	2	117162-	M8
key	PART NO.	PART NAME	QTY	SERIAL NO.	REMARKS
24	LCA104895	Bushing	2	117162-	
25	LCA108343	Disk	1	117162-	
26	03M7095	Bolt	2		M8 X 60

Catalog: 4542 | Grid: 0 | Section: 100 | Page: 18

Catalog Name: **640C Pickup for Self-Propelled Forage Harvester (Worldwide Edition)**

Page Name: **Roller Compression Unit**

Direction of Travel:



KM000533

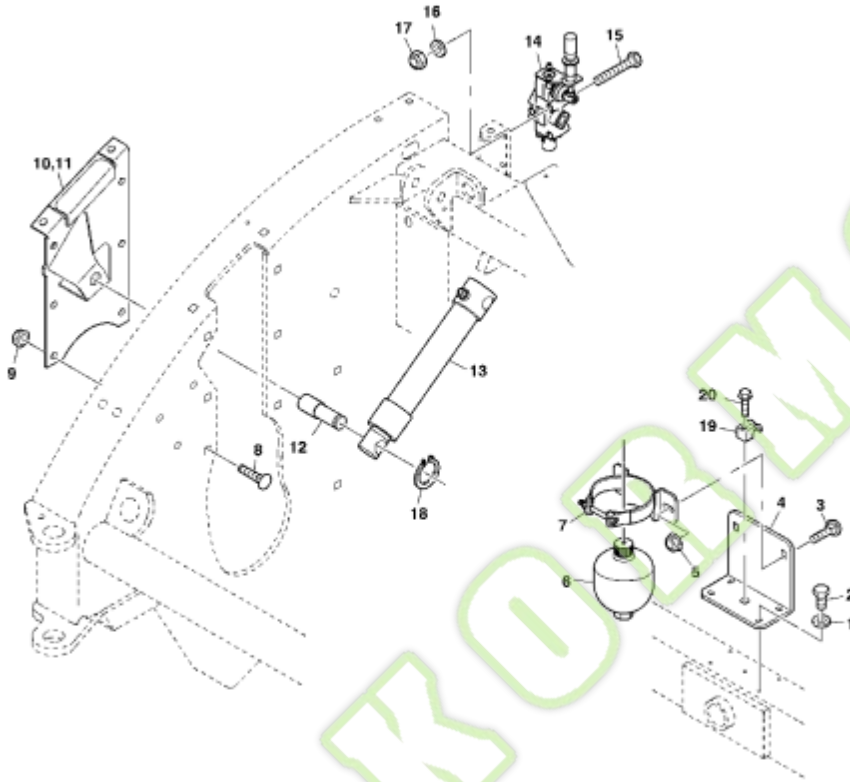
key	PART NO.	PART NAME	QTY	SERIAL NO.	REMARKS
1	LCA108601	Roller	1		
2	LCA101769	Bracket	2		
3	03M7085	Bolt	6		M10 X 30
4	FH311992	Pressed Flanged Housing	4		
5	JD10386	Ball Bearing	2		
6	24M7227	Washer	2		30 X 42 X 2.500 mm
7	40M7084	Snap Ring	2		
8	LCA100488	Shim	AR		TK = 0,5 mm
9	LCA101299	Washer	2		
10	CC16804	Guard	2		
key	PART NO.	PART NAME	QTY	SERIAL NO.	REMARKS
11	14M7167	Lock Nut	6		M10

Catalog: 4542 | Grid: 0 | Section: 100 | Page: 19

Catalog Name: **640C Pickup for Self-Propelled Forage Harvester (Worldwide Edition)**

Page Name: **Hydraulic For Roller Compression Unit**

Direction of Travel:



KM000534

key	PART NO.	PART NAME	QTY	SERIAL NO.	REMARKS
1	24M7054	Washer	4	-117161	6.400 X 12 X 1.600 mm
2	37M7129	Screw	4	-117161	M6 X 25
3	03M7184	Bolt	2	-117161	M8 X 20
4	LCA102023	Sheet	1	-117161	
5	14M7298	Flange Nut	2	-117161	M8
6	LCA102656	Hydraulic Accumulator	1	-117161	
7	LCA102039	Holder	1	-117161	
8	03M7197	Bolt	AR	-117161	M12 X 25
9	14M7299	Flange Nut	AR	-117161	M12
10	LCA101727	Reinforcement	1	-117161	RH
key	PART NO.	PART NAME	QTY	SERIAL NO.	REMARKS
11	LCA101717	Reinforcement	1	-117161	LH
12	LCA102014	Pin Fastener	2	-117161	
13	LCA102583	Hydraulic Cylinder	2	-117161	
14	LCA101300	Valve	1	-117161	

15	19M8360	Cap Screw	3	-117161	M6 X 60
16	Z26250	Washer	3	-117161	
17	14M7165	Lock Nut	3	-117161	M6
18	40M7064	Snap Ring	2	-117161	

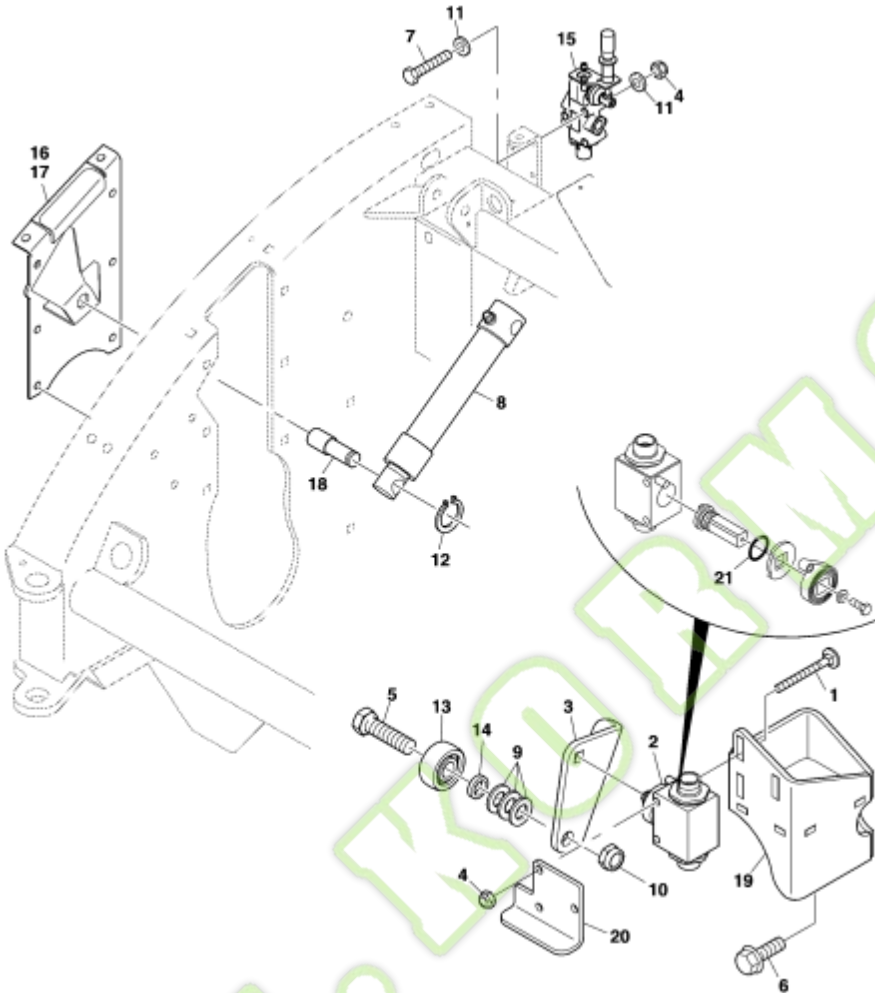
WWW.KORMO.BY

Catalog: 4542 | Grid: 0 | Section: 100 | Page: 20

Catalog Name: **640C Pickup for Self-Propelled Forage Harvester (Worldwide Edition)**

Page Name: **Hydraulic For Roller Compression Unit**

Direction of Travel:



KM001180

key	PART NO.	PART NAME	QTY	SERIAL NO.	REMARKS
1	03M7378	Bolt	3	117162-	M6 X 60
2	LCA104887	Valve	1	117162-	
3	LCA108344	Lever	1	117162-	SUB FOR LCA105405
4	14M7397	Lock Nut	6	117162-	M6
5	19M7361	Cap Screw	1	117162-	M12 X 50
6	19M7784	Screw	2	117162-	M10 X 20
7	19M8360	Cap Screw	3	117162-	M6 X 60
8	LCA102583	Hydraulic Cylinder	2	117162-	
9	24M7047	Washer	3	117162-	13 X 24 X 2.500 mm
10	14M7168	Lock Nut	1	117162-	M12
key	PART NO.	PART NAME	QTY	SERIAL NO.	REMARKS
11	Z26250	Washer	3	117162-	6.500 X 16 X 1.500 mm
12	40M7064	Snap Ring	2	117162-	
13	AFH204000	Ball Bearing	1	117162-	

14	CC27513	Washer	1	117162-	
15	LCA101300	Valve	1	117162-	
16	LCA101717	Reinforcement	1	117162-	
17	LCA101727	Reinforcement	1	117162-	
18	LCA102014	Pin Fastener	2	117162-	
19	LCA108340	Retainer	1	117162-	SUB FOR LCA104891
20	LCA108341	Sheet	1	117162-	SUB FOR LCA104899
key	PART NO.	PART NAME	QTY	SERIAL NO.	REMARKS
21	Z27993	O-Ring	1	117162-	

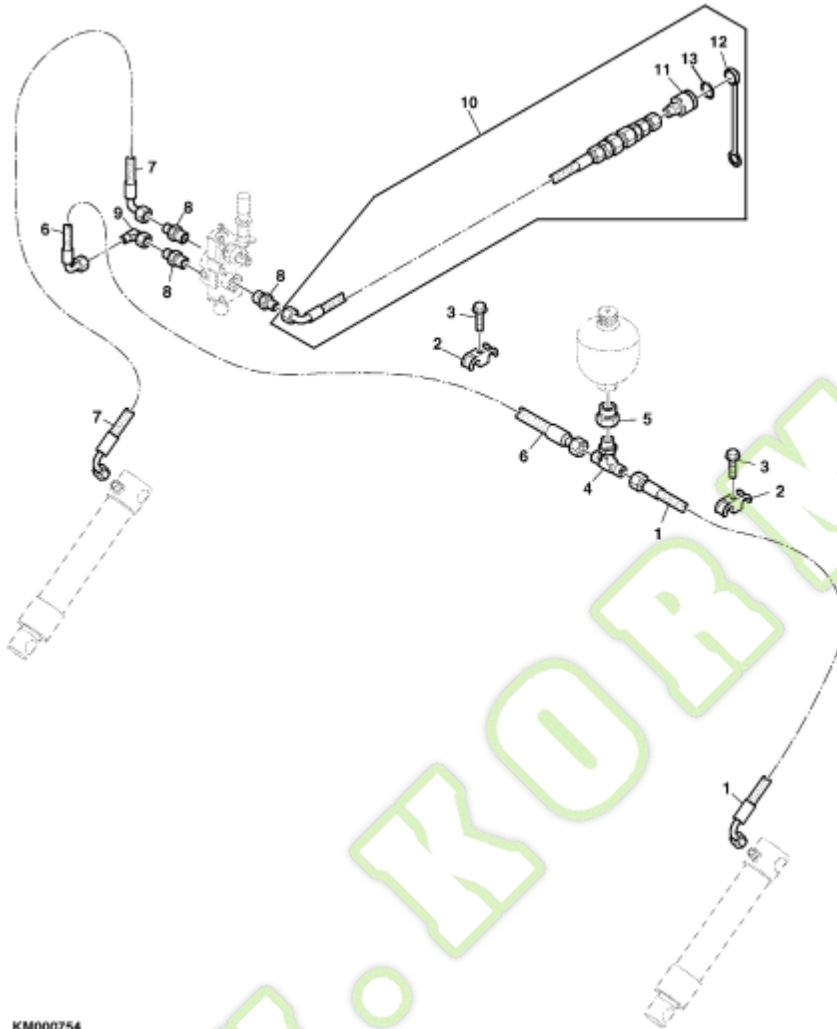
WWW.KORMO.BY

Catalog: 4542 | Grid: 0 | Section: 100 | Page: 21

Catalog Name: **640C Pickup for Self-Propelled Forage Harvester (Worldwide Edition)**

Page Name: **Hydraulic For Roller Compression Unit**

Direction of Travel:



KM000754

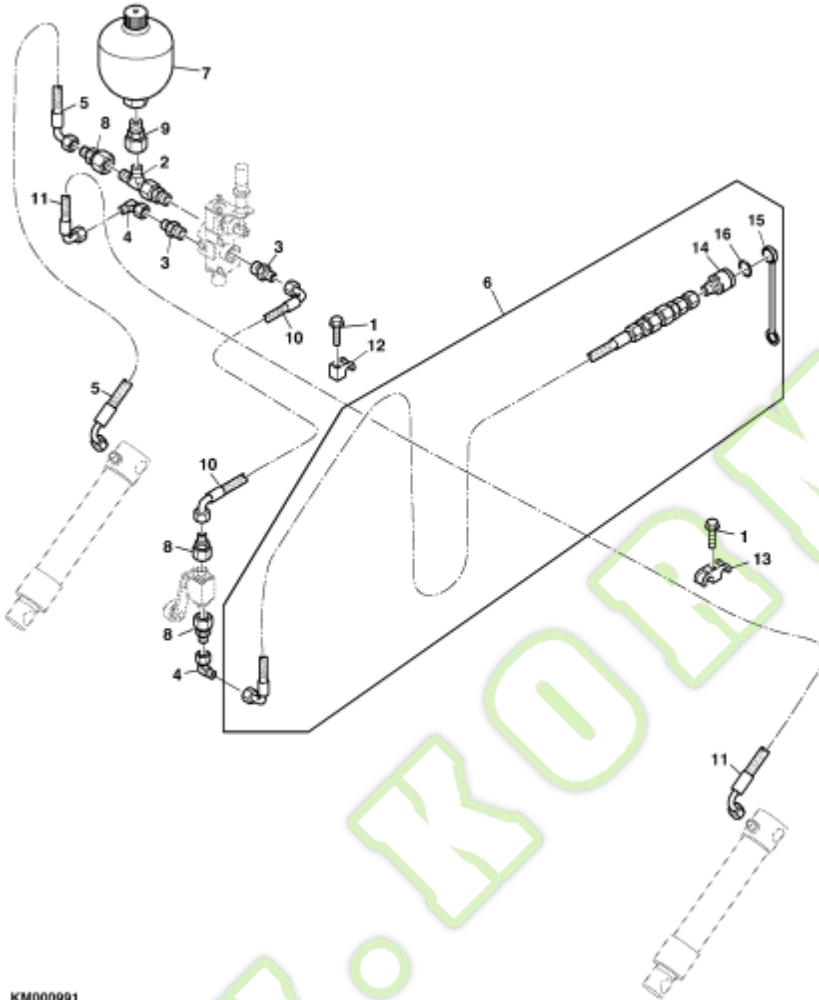
key	PART NO.	PART NAME	QTY	SERIAL NO.	REMARKS
1	LCA102084	Hydraulic Hose	1	-117161	
2	Z44220	Clamp	AR	-117161	
3	37M7232	Screw	AR	-117161	M6 X 55
4	LCA102016	Tee Fitting	4	-117161	
5	LCA102015	Fitting	1	-117161	
6	LCA102086	Hydraulic Hose	1	-117161	
7	LCA65152	Hydraulic Hose	1	-117161	
8	LCA42534	Union Fitting	3	-117161	
9	LCA63595	Elbow Fitting	1	-117161	
10	LCA102126	Hydraulic Hose	1	-117161	
key	PART NO.	PART NAME	QTY	SERIAL NO.	REMARKS
11	AZ19455	Hydr. Quick Coupler Socket	1	-117161	
12	AZ19456	Dust Shield	1	-117161	
13	Z29863	O-Ring	1	-117161	

Catalog: 4542 | Grid: 0 | Section: 100 | Page: 22

Catalog Name: **640C Pickup for Self-Propelled Forage Harvester (Worldwide Edition)**

Page Name: **Hydraulic For Roller Compression Unit**

Direction of Travel:



KM000991

key	PART NO.	PART NAME	QTY	SERIAL NO.	REMARKS
1	37M7135	Screw	AR	117162-	M6 X 35
2	LCA03092	Tee Fitting	1	117162-	
3	LCA42534	Union Fitting	2	117162-	
4	LCA63595	Elbow Fitting	2	117162-	
5	LCA102083	Hydraulic Hose	1	117162-	
6	LCA105137	Hydraulic Hose	1	117162-	
7	LCA102656	Hydraulic Accumulator	1	117162-	
8	LCA61059	Pipe Bushing	3	117162-	
9	LCA105006	Hydraulic Restrictor	1	117162-	
10	LCA105133	Hydraulic Hose	1	117162-	
key	PART NO.	PART NAME	QTY	SERIAL NO.	REMARKS
11	LCA105141	Hydraulic Hose	1	117162-	
12	Z29863	O-Ring	1	117162-	
13	Z44220	Clamp	AR	117162-	

14	AZ19455	Hydr. Quick Coupler Socket	1	117162-	
15	AZ19456	Dust Shield	1	117162-	

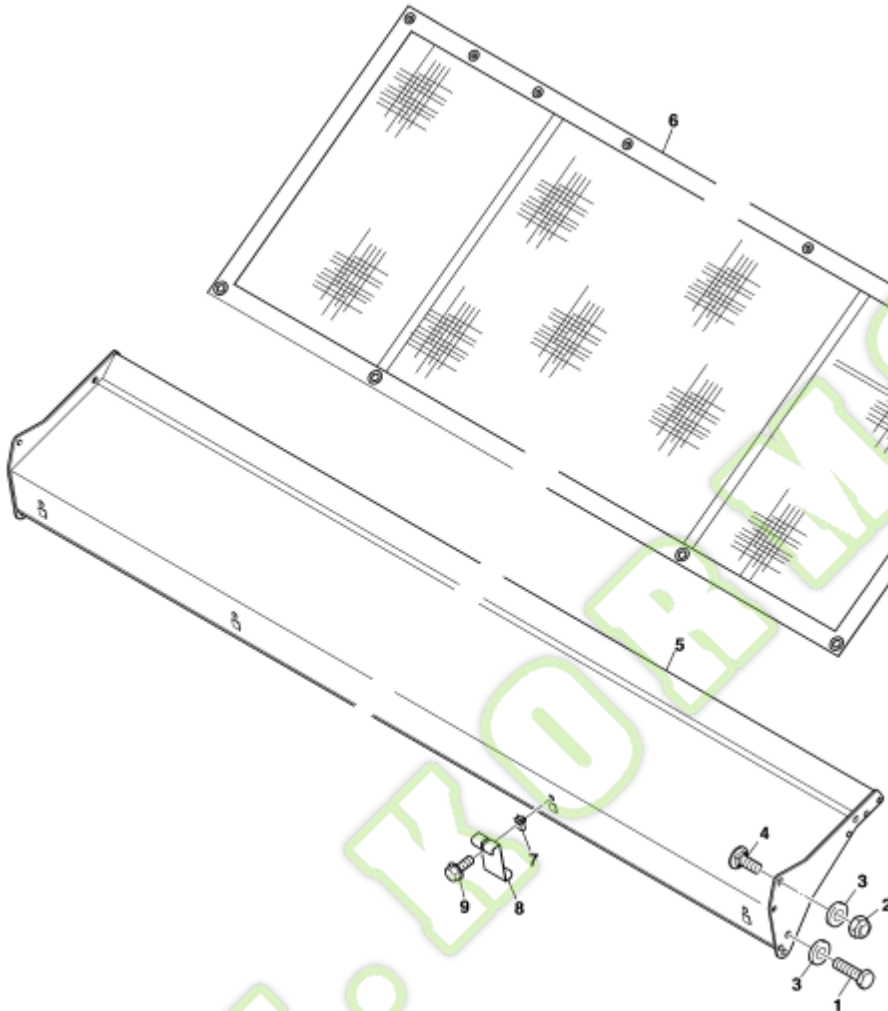
WWW.KORMO.BY

Catalog: 4542 | Grid: 0 | Section: 100 | Page: 23

Catalog Name: **640C Pickup for Self-Propelled Forage Harvester (Worldwide Edition)**

Page Name: **Deflector Plate**

Direction of Travel:



KM001181

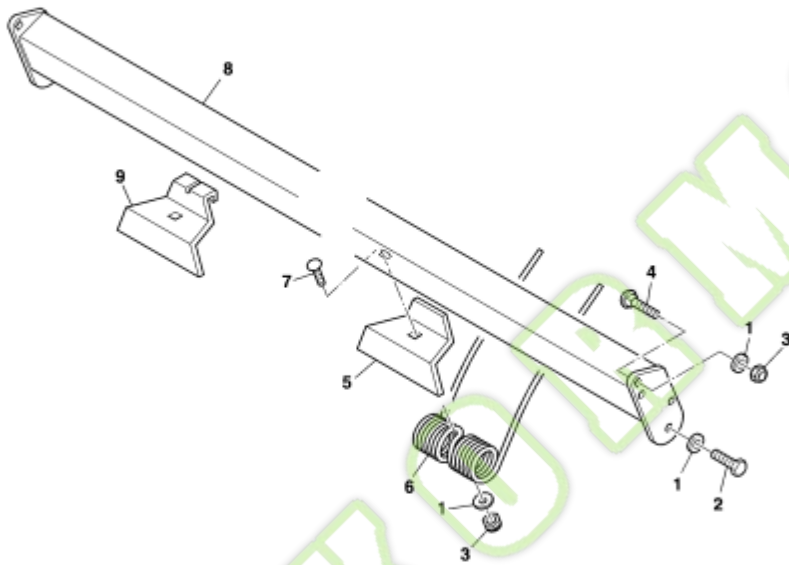
key	PART NO.	PART NAME	QTY	SERIAL NO.	REMARKS
1	19M7550	Cap Screw	2		M10 X 35
2	14M7167	Lock Nut	2		M10
3	24M7179	Washer	4		8.400 X 24 X 2 mm
4	03M7191	Bolt	2		M10 X 25
5	LCA108060	Guide	1		
6	LCA103887	Guard	1		
7	M84971	Nut	8		
8	LCA106070	Retainer	8		
9	19M9568	Screw	8		M8 X 20

Catalog: 4542 | Grid: 0 | Section: 100 | Page: 24

Catalog Name: **640C Pickup for Self-Propelled Forage Harvester (Worldwide Edition)**

Page Name: **Rake**

Direction of Travel:



KM000969

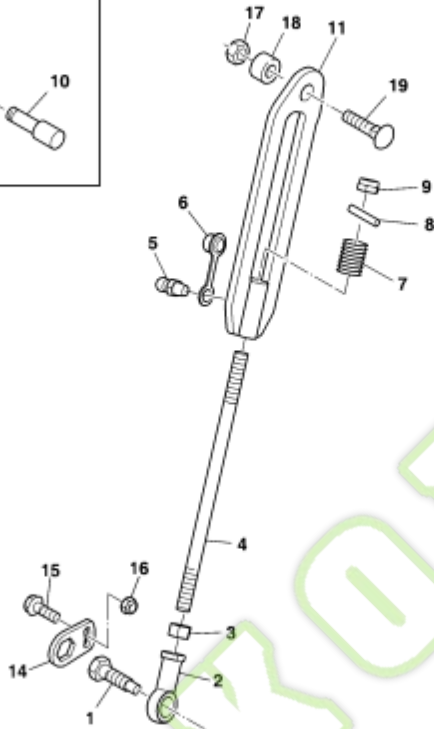
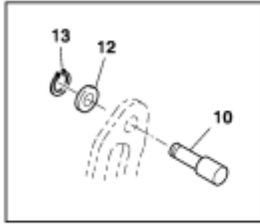
key	PART NO.	PART NAME	QTY	SERIAL NO.	REMARKS
1	24M7178	Washer	AR		10.500 X 30 X 2.500 mm
2	19M7550	Cap Screw	2		M10 X 35
3	14M7167	Lock Nut	AR		M10
4	03M7191	Bolt	2		M10 X 25
5	LCA102308	Holder	6		
6	LCA100845	Spring Tooth	14		
7	03M7098	Bolt	14		M10 X 35
8	LCA102036	Beam	1		
9	LCA104851	Retainer	8		

Catalog: 4542 | Grid: 0 | Section: 100 | Page: 25

Catalog Name: **640C Pickup for Self-Propelled Forage Harvester (Worldwide Edition)**

Page Name: **Automatic Auger Lifting**

Direction of Travel:



KM000966

key	PART NO.	PART NAME	QTY	SERIAL NO.	REMARKS
1	LCA101886	Bolt	2		
2	LCA101869	Universal Joint Yoke	2		
3	14M7275	Nut	2		M12
4	LCA108759	Rod	2		
5	58M5573	Lubrication Fitting	2		
6	CC49644	Cap	2		
7	LCA101871	Compression Spring	2		
8	24M7047	Washer	2		13 X 24 X 2.500 mm
9	14M7168	Lock Nut	2		M12
10	LCA102065	Pin Fastener	2	-117161	
key	PART NO.	PART NAME	QTY	SERIAL NO.	REMARKS
11	LCA101867	Holder	2		
12	L37275	Washer	2	-117161	16.100 X 24 X 1.200 mm
13	40M7360	Snap Ring	2	-117161	

14	LCA104809	Lock Plate	2		
15	19M9443	Screw	2		M6 X 16
16	14M7165	Lock Nut	2		M6
17	14M7170	Lock Nut	2	117162-	M16
18	LCA104897	Bushing	2	117162-	
19	03M7211	Bolt	2	117162-	M16 X 70

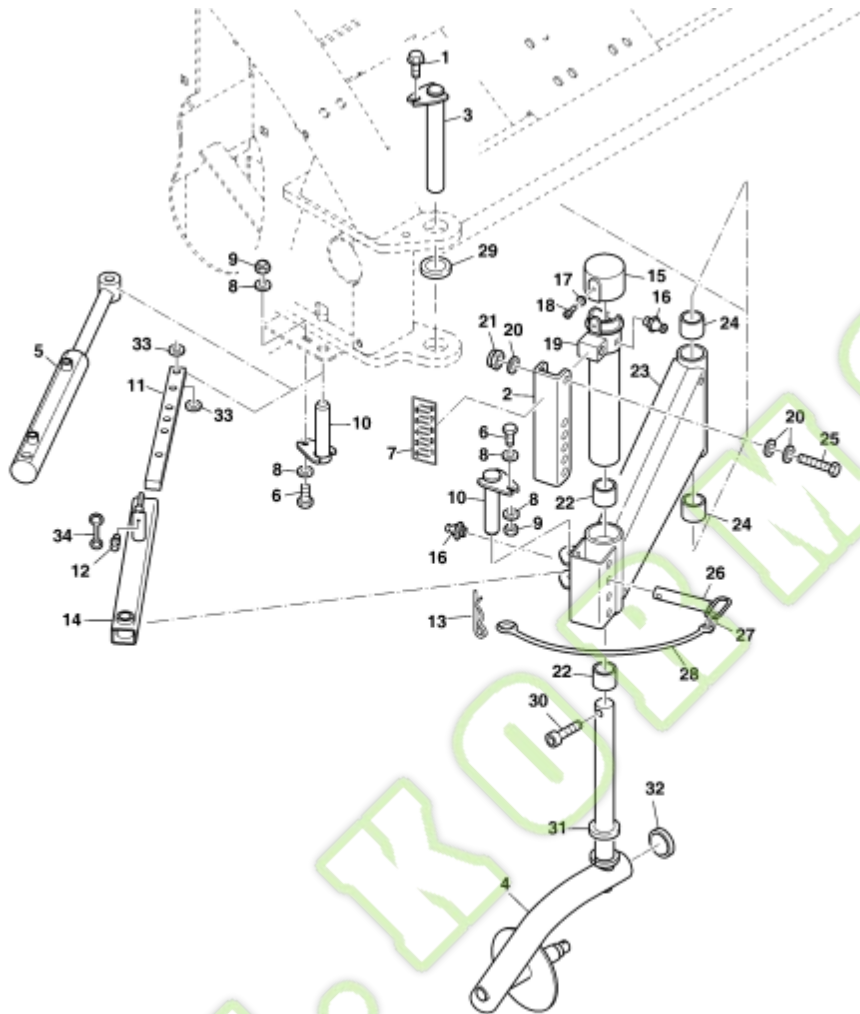
WWW.KORMO.BY

Catalog: 4542 | Grid: 0 | Section: 100 | Page: 26

Catalog Name: **640C Pickup for Self-Propelled Forage Harvester (Worldwide Edition)**

Page Name: **Gauge Wheel Arm And Yoke**

Direction of Travel:



KM001465

key	PART NO.	PART NAME	QTY	SERIAL NO.	REMARKS
1	19M9448	Screw	1		M10 X 20
2	LCA101527	Sheet	1		
3	LCA101833	Pin Fastener	1		
4	LCA101569	Yoke	1	-115212	
	LCA102822	Fork	1	115213-	
5	LCA102809	Hydraulic Cylinder	1		
6	19M7077	Cap Screw	2		M6 X 20
7	LCA105376	Label	1		
8	24M7054	Washer	4		6.400 X 12 X 1.600 mm
9	14M7165	Lock Nut	2		M6
key	PART NO.	PART NAME	QTY	SERIAL NO.	REMARKS
10	LCA101414	Pin Fastener	2		
11	LCA108183	Steel	1		
12	58M5573	Lubrication Fitting	1		



13	99M7080	Spring Locking Pin	1		
14	LCA112336	Retainer	1		
15	LCA116080	Cover	1		
16	58M5573	Lubrication Fitting	3		
17	Z26250	Washer	1		
18	19M7929	Screw	1		M6 X 10
19	LCA101572	Structural Tube	1		
key	PART NO.	PART NAME	QTY	SERIAL NO.	REMARKS
20	24M7383	Washer	AR		17 X 24 X 1 mm
21	14M7170	Lock Nut	1		M16
22	LCA101894	Bushing	2		
23	LCA112314	Support	1		INCL KEYS 16 , 24
24	LCA08259	Bushing	2		
25	19M6754	Cap Screw	1		M16 X 75
26	LCA101683	Pin Fastener	1		
27	LCA38941	Ring	1		
28	LCA38899	Rope	1		
29	L31653	Washer	1		36 X 58 X 3 mm
key	PART NO.	PART NAME	QTY	SERIAL NO.	REMARKS
30	19M9513	Screw	1		M16 X 35
31	LCA101895	Thrust Washer	1		
32	LCA102682	Cap	1	115213-	
33	24M7053	Washer	2		17 X 30 X 3 mm
34	CC49644	Cap	1		

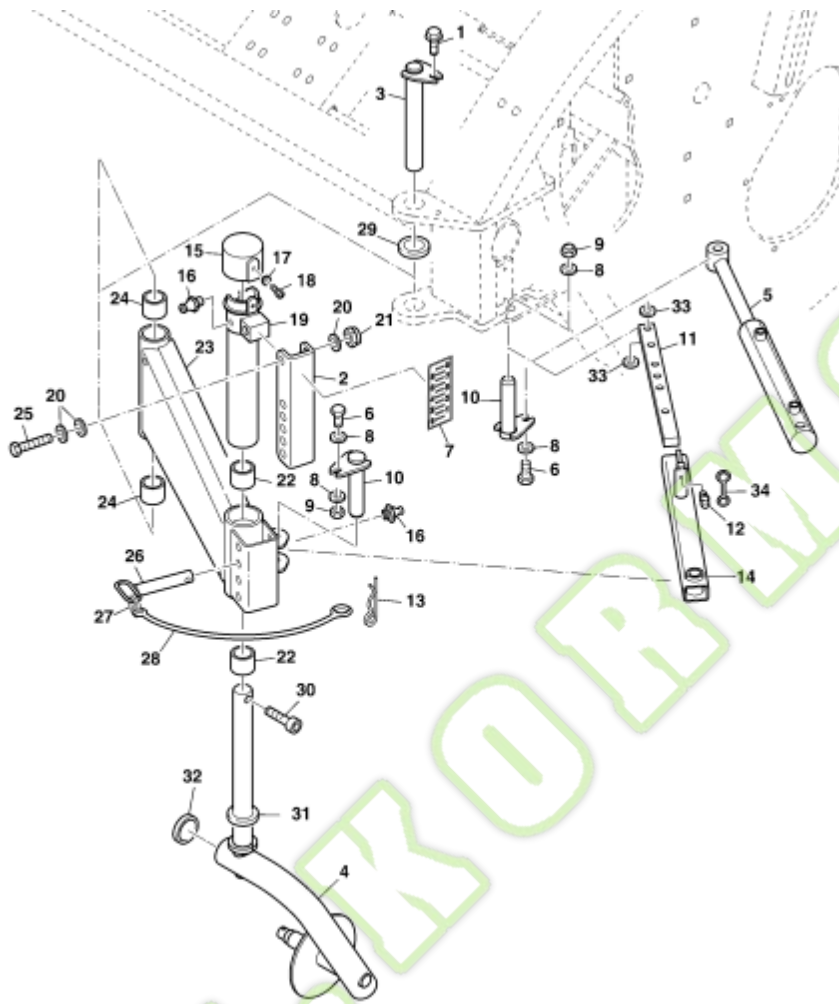


Catalog: 4542 | Grid: 0 | Section: 100 | Page: 27

Catalog Name: **640C Pickup for Self-Propelled Forage Harvester (Worldwide Edition)**

Page Name: **Gauge Wheel Arm And Yoke**

Direction of Travel:



KM001466

key	PART NO.	PART NAME	QTY	SERIAL NO.	REMARKS
1	19M9448	Screw	1		M10 X 20
2	LCA101527	Sheet	1		
3	LCA101833	Pin Fastener	1		
4	LCA101569	Yoke	1	-115212	
	LCA102559	Fork	1	115213-	
5	LCA102809	Hydraulic Cylinder	1		
6	19M7077	Cap Screw	2		M6 X 20
7	LCA105376	Label	1		
8	24M7054	Washer	4		6.400 X 12 X 1.600 mm
9	14M7165	Lock Nut	2		M6
key	PART NO.	PART NAME	QTY	SERIAL NO.	REMARKS
10	LCA101414	Pin Fastener	2		
11	LCA108183	Steel	1		
12	58M5573	Lubrication Fitting	1		



13	99M7080	Spring Locking Pin	1		
14	LCA112336	Retainer	1		
15	LCA116080	Cover	1		
16	58M5573	Lubrication Fitting	3		
17	Z26250	Washer	1		
18	19M7929	Screw	1		M6 X 10
19	LCA101572	Structural Tube	1		
key	PART NO.	PART NAME	QTY	SERIAL NO.	REMARKS
20	24M7383	Washer	AR		17 X 24 X 1 mm
21	14M7170	Lock Nut	1		M16
22	LCA101894	Bushing	2		
23	LCA112313	Support	1		INCL KEYS 16 , 24
24	LCA08259	Bushing	2		
25	19M6754	Cap Screw	1		M16 X 75
26	LCA101683	Pin Fastener	1		
27	LCA38941	Ring	1		
28	LCA38899	Rope	1		
29	L31653	Washer	1		36 X 58 X 3 mm
key	PART NO.	PART NAME	QTY	SERIAL NO.	REMARKS
30	19M9513	Screw	1		M16 X 35
31	LCA101895	Thrust Washer	1		
32	LCA102682	Cap	1	115213-	
33	24M7053	Washer	2		17 X 30 X 3 mm
34	CC49644	Cap	1		

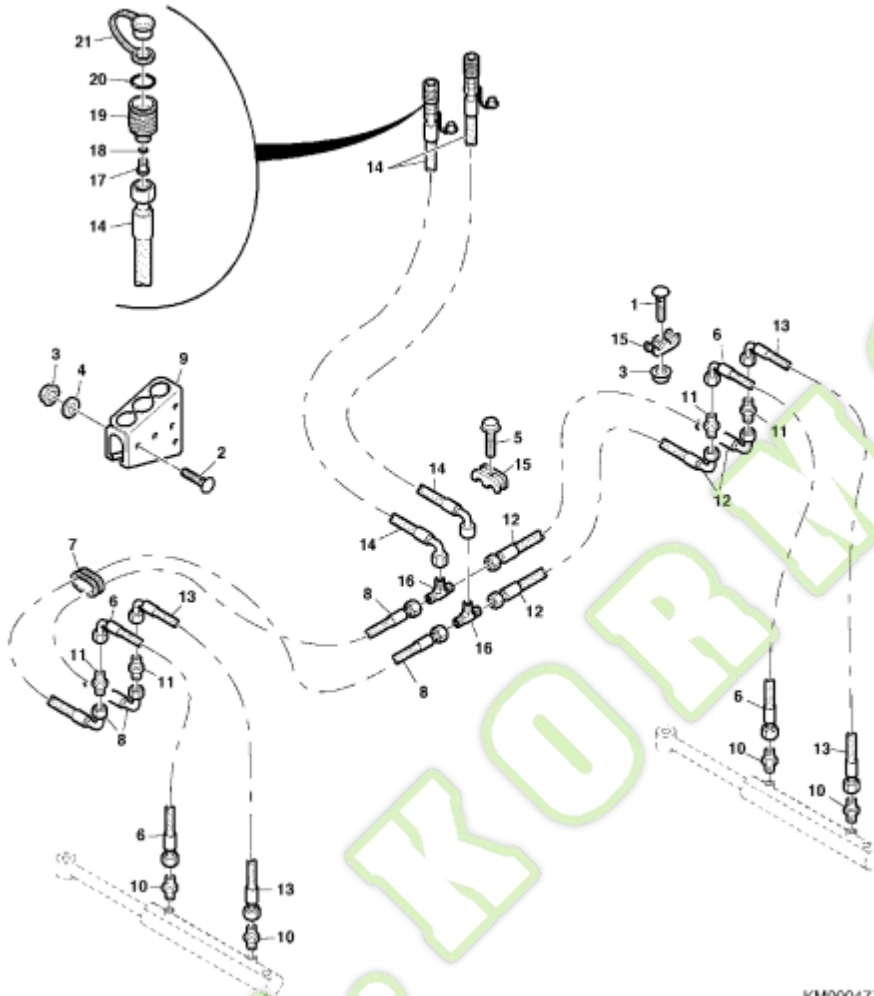


Catalog: 4542 | Grid: 0 | Section: 100 | Page: 28

Catalog Name: **640C Pickup for Self-Propelled Forage Harvester (Worldwide Edition)**

Page Name: **Hydraulic Hoses (- 115212)**

Direction of Travel:



KM000477

key	PART NO.	PART NAME	QTY	SERIAL NO.	REMARKS
1	03M7269	Bolt	4		M6 X 35
2	03M7068	Bolt	2		M6 X 20
3	14M7397	Lock Nut	6		M6
4	24M7100	Washer	2		6.600 X 22 X 2 mm
5	37M7135	Screw	9		M6 X 35
6	LCA51442	Hydraulic Hose	2		
7	B15504	Grommet	2		
8	LCA102564	Hydraulic Hose	2		
9	LCA90585	Retainer	1		
10	LCA66655	Union Fitting	4		
key	PART NO.	PART NAME	QTY	SERIAL NO.	REMARKS
11	Z32977	Union Fitting	4		
12	LCA102563	Hydraulic Hose	2		
13	LCA101678	Hydraulic Hose	2		
14	LCA79932	Hydraulic Hose	2		

15	Z44220	Clamp	13		
16	LCA70757	Tee Fitting	2		
17	LCA64956	Restrictor	2		
18	LCA40287	O-Ring	2		
19	AZ19455	Hydr. Quick Coupler Socket	2		
20	Z29863	O-Ring	2		
key	PART NO.	PART NAME	QTY	SERIAL NO.	REMARKS
21	LCA68462	Dust Shield	2		

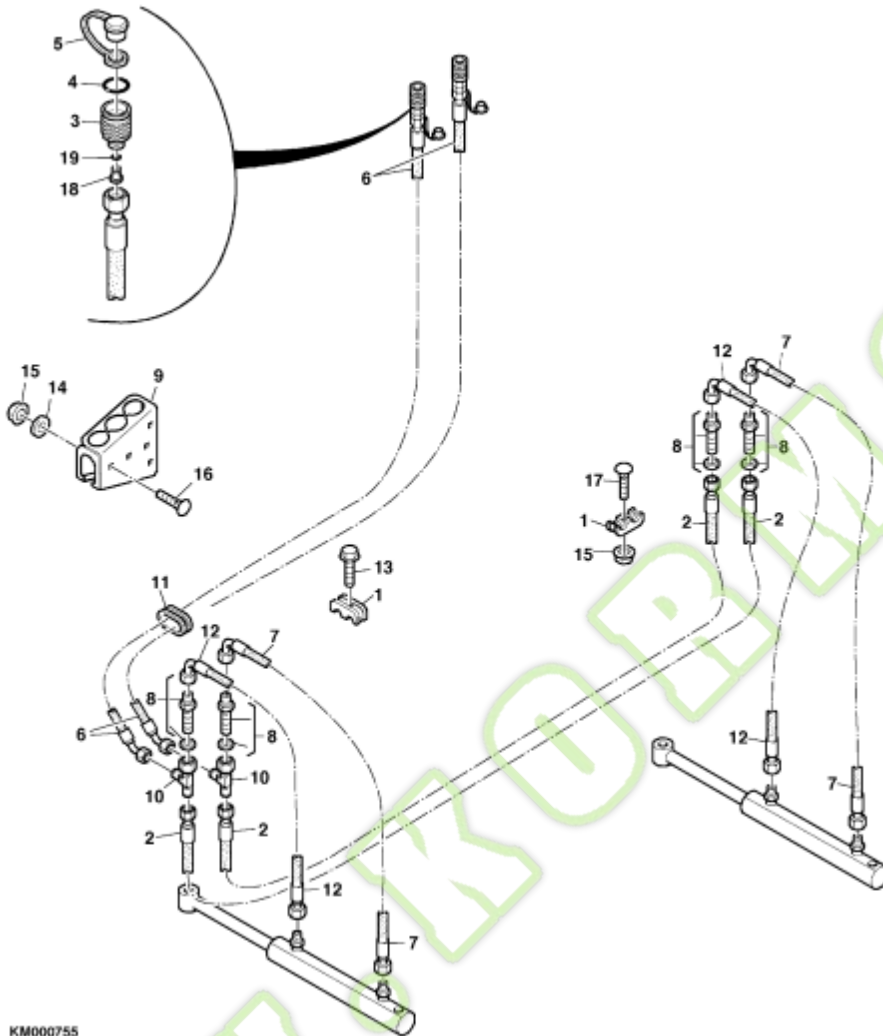
WWW.KORMO.BY

Catalog: 4542 | Grid: 0 | Section: 100 | Page: 29

Catalog Name: **640C Pickup for Self-Propelled Forage Harvester (Worldwide Edition)**

Page Name: **Hydraulic Hoses (115213 -)**

Direction of Travel:



KM000755

key	PART NO.	PART NAME	QTY	SERIAL NO.	REMARKS
1	Z44220	Clamp	4		
2	LCA104333	Hydraulic Hose	2		LGTH = 4750 mm
3	AZ19455	Hydr. Quick Coupler Socket	2		
4	Z29863	O-Ring	2		
5	AZ19456	Dust Shield	2		
6	LCA104337	Hydraulic Hose	2		LGTH = 2700 mm
7	LCA101678	Hydraulic Hose	2		
8	Z32977	Union Fitting	4		
9	LCA90585	Retainer	1		
10	LCA51184	Fitting	2		
key	PART NO.	PART NAME	QTY	SERIAL NO.	REMARKS
11	B15504	Grommet	1		
12	LCA51442	Hydraulic Hose	2		
13	37M7135	Screw	3		M6 X 35

14	24M7100	Washer	2		6.600 X 22 X 2 mm
15	14M7397	Lock Nut	3		M6
16	03M7068	Bolt	2		M6 X 20
17	03M7269	Bolt	1		M6 X 35
18	LCA40176	Hydraulic Restrictor	2		
19	LCA40287	O-Ring	2		

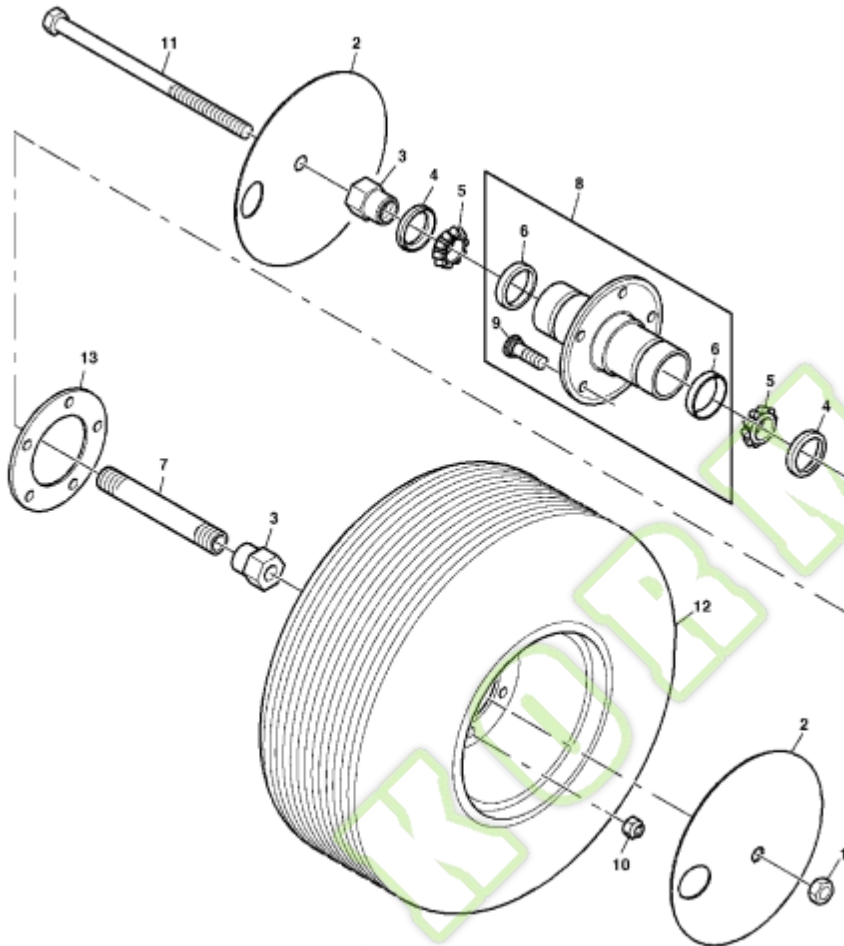
WWW.KORMO.BY

Catalog: 4542 | Grid: 0 | Section: 100 | Page: 30

Catalog Name: **640C Pickup for Self-Propelled Forage Harvester (Worldwide Edition)**

Page Name: **Gauge Wheels And Hub (- 115212)**

Direction of Travel:



KM000636

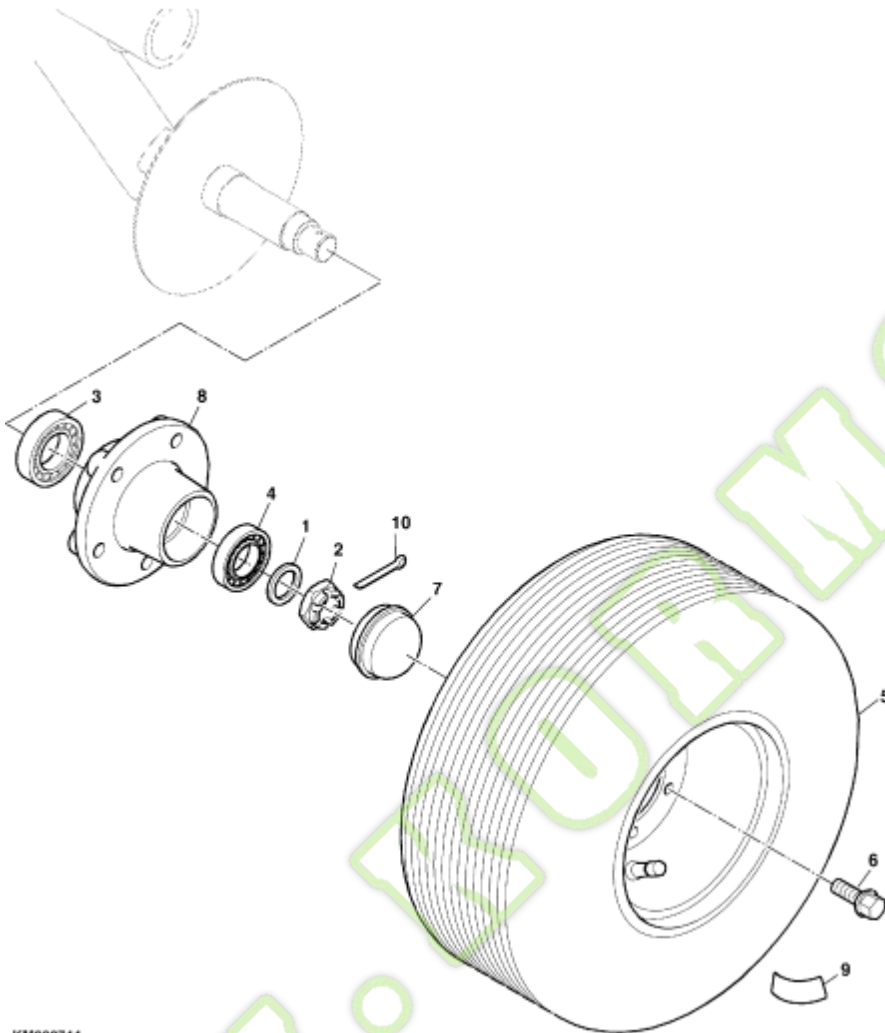
key	PART NO.	PART NAME	QTY	SERIAL NO.	REMARKS
1	14H1039	Nut	2		5/8"
2	CC30863	Shield	4		
3	N61289	Nut	4		
4	B13876	Seal	4		
5	JD8933	Bearing Cone	4		
6	JD8253	Bearing Cup	2		
7	N132119	Spindle	1		
8	AN181907	Hub	2		
9	N130882	Bolt	10		
10	N130853	Nut	10		
key	PART NO.	PART NAME	QTY	SERIAL NO.	REMARKS
11	08H4224	Cap Screw	2		5/8" X 11"
12	LCA102319	Tire And Wheel Assembly	2		
13	LCA102664	Washer	2		

Catalog: 4542 | Grid: 0 | Section: 100 | Page: 31

Catalog Name: **640C Pickup for Self-Propelled Forage Harvester (Worldwide Edition)**

Page Name: **Gauge Wheels And Hub (115213 -)**

Direction of Travel:



KM000744

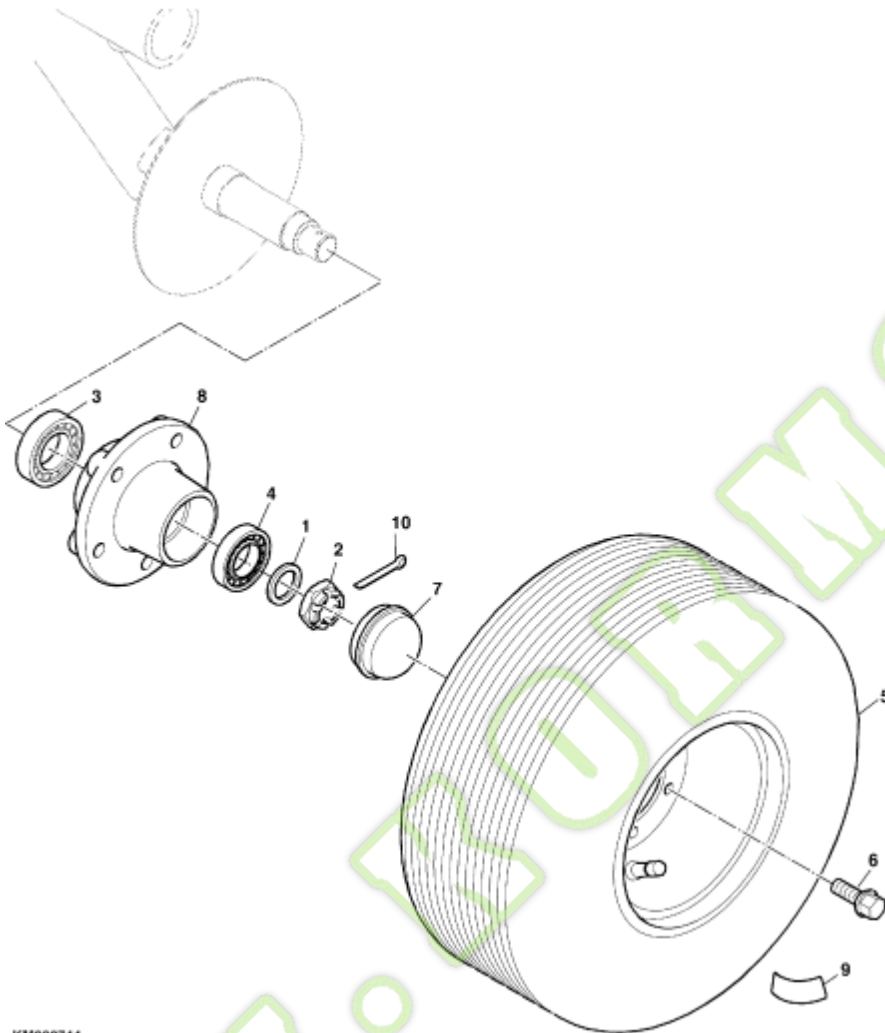
key	PART NO.	PART NAME	QTY	SERIAL NO.	REMARKS
1	24M7590	Washer	2		25 X 35 X 2 mm
2	14M7181	Nut	2		M24
3	JD9323	Ball Bearing	2		
4	JD9443	Ball Bearing	2		
5	LCA102319	Tire And Wheel Assembly	2		
6	LCA102613	Wheel Bolt	10		
7	LCA102652	Cap	2		
8	LCA102678	Hub	2		
9	LCA102710	Label	2		
10	11M7034	Cotter Pin	2		5 X 63 mm

Catalog: 4542 | Grid: 0 | Section: 100 | Page: 31

Catalog Name: **640C Pickup for Self-Propelled Forage Harvester (Worldwide Edition)**

Page Name: **Gauge Wheels And Hub (115213 -)**

Direction of Travel:



KM000744

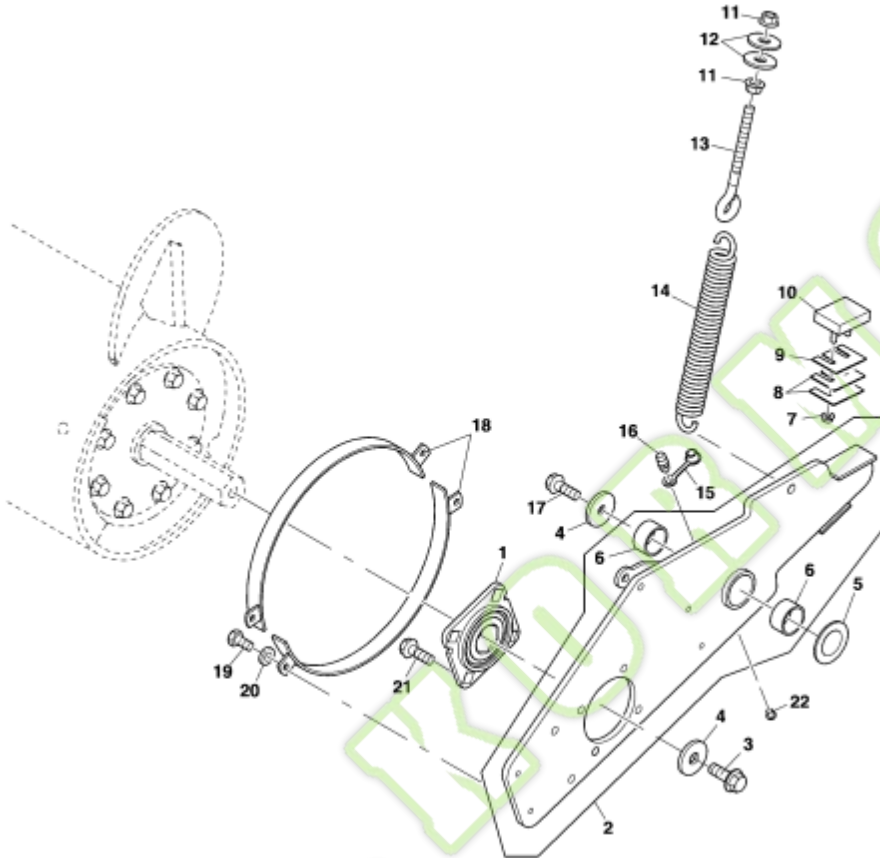
key	PART NO.	PART NAME	QTY	SERIAL NO.	REMARKS
1	24M7590	Washer	2		25 X 35 X 2 mm
2	14M7181	Nut	2		M24
3	JD9323	Ball Bearing	2		
4	JD9443	Ball Bearing	2		
5	LCA102319	Tire And Wheel Assembly	2		
6	LCA102613	Wheel Bolt	10		
7	LCA102652	Cap	2		
8	LCA102678	Hub	2		
9	LCA102710	Label	2		
10	11M7034	Cotter Pin	2		5 X 63 mm

Catalog: 4542 | Grid: 0 | Section: 100 | Page: 33

Catalog Name: **640C Pickup for Self-Propelled Forage Harvester (Worldwide Edition)**

Page Name: **Auger Support, LH**

Direction of Travel:



KM001058

key	PART NO.	PART NAME	QTY	SERIAL NO.	REMARKS
1	AFH207783	Bearing With Housing	1		SUB FOR AE74652
2	LCA101912	Arm	1		
3	19M7791	Bolt	1		M12 X 40
4	R47012	Washer	1		
5	E18993	Washer	1		
6	CC42049	Bushing	2		
7	14M7303	Flange Nut	3		M6
8	LCA100371	Spacer	AR		
9	LCA100341	Spacer	AR		
10	AZ101953	Absorber	2		
key	PART NO.	PART NAME	QTY	SERIAL NO.	REMARKS
11	14M7296	Flange Nut	1		M10
12	24M7180	Washer	2		13 X 37 X 3 mm
13	LCA100227	Eyebolt	1		

14	LCA112690	Spring Kit	1		INCL. KEY 11 , 13
15	CC49644	Cap	1		
16	58M5573	Lubrication Fitting	1		
17	19M7788	Screw	1		M12 X 25
18	LCA108979	Deflector	2		
19	19M7932	Cap Screw	4		M8 X 16
20	LCA84221	Lock Washer	4		
key	PART NO.	PART NAME	QTY	SERIAL NO.	REMARKS
21	19M7787	Screw	4		M12 X 20
22	25M7046	Groove Pin	1		5 X 8 mm

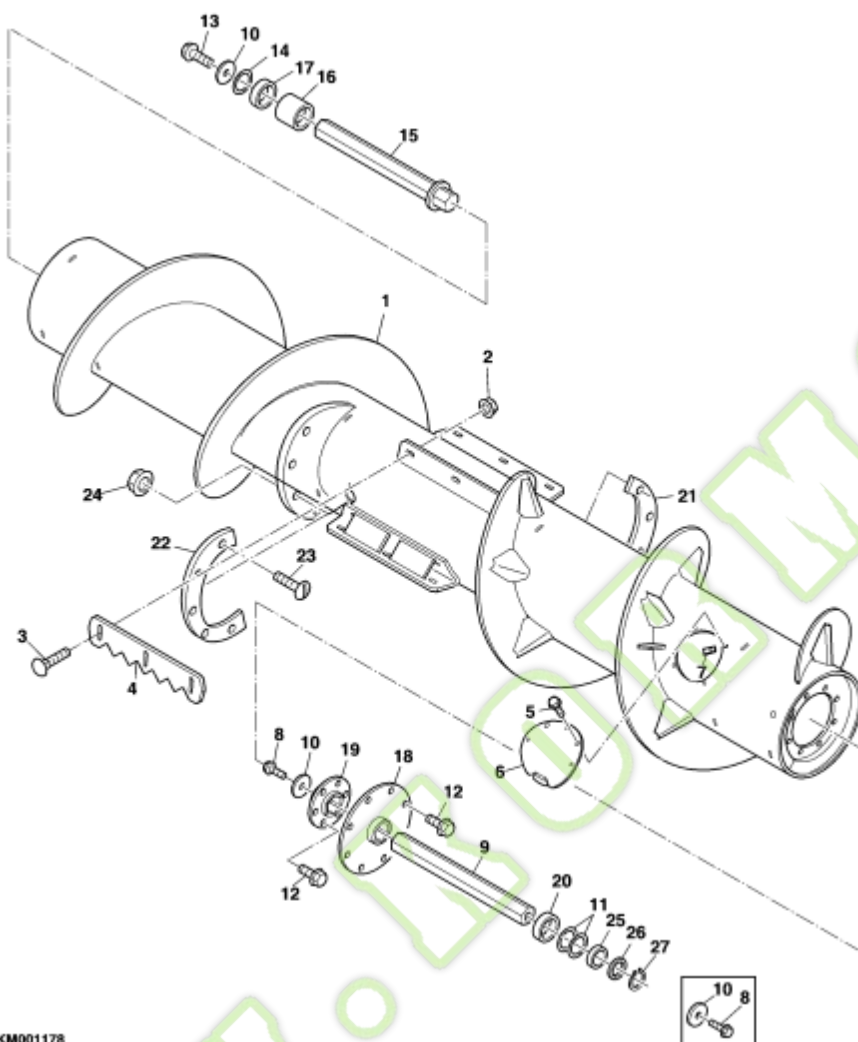
WWW.KORMO.BY

Catalog: 4542 | Grid: 0 | Section: 100 | Page: 34

Catalog Name: **640C Pickup for Self-Propelled Forage Harvester (Worldwide Edition)**

Page Name: **Auger And Paddles**

Direction of Travel:



KM001178

key	PART NO.	PART NAME	QTY	SERIAL NO.	REMARKS
1	LCA102041	Auger	1		
2	14M7296	Flange Nut	12		M10
3	03M7191	Bolt	12		M10 X 25
4	CC109871	Paddle	4		
5	37M7076	Screw	4		
6	H36018	Cover	2		
7	Z20443	Nut	4		
8	19M8306	Screw	2		M12 X 50
9	LCA105642	Bar	1		
10	R47012	Washer	3		
key	PART NO.	PART NAME	QTY	SERIAL NO.	REMARKS
11	24M7468	Washer	AR		45 X 55 X 1 mm
12	19M9570	Screw	14		M12 X 25
13	19M7789	Screw	1		M12 X 30

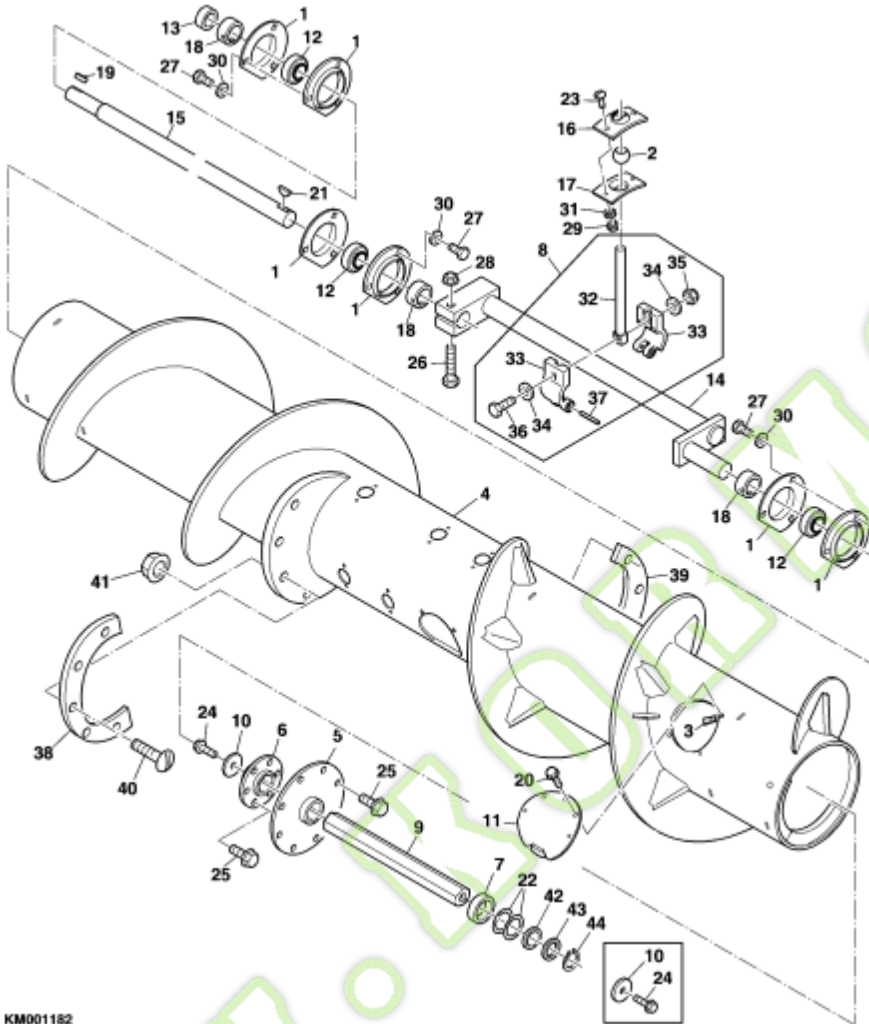
14	24M3535	Washer	1		37 X 47 X 1 mm
15	DC44854	Bar	1		
16	LCA102501	Bushing	1		
17	24H1520	Washer	4		1-15/32" X 2" X 0.105"
18	LCA101933	Hub	1		
19	LCA101932	Hub	1		
20	LCA101813	Bushing	1		
key	PART NO.	PART NAME	QTY	SERIAL NO.	REMARKS
21	Flight	1		NSEP; ORDER EC38515
22	Flight	1		NSEP; ORDER EC38515
23	03M7191	Bolt	18		M10 X 25
24	14M7400	Lock Nut	18		M10
25	24M3774	Washer	1		37 X 52 X 6 mm
26	24M6560	Washer	1		35 X 45 X 2.500 mm
27	40M7109	Snap Ring	1		
..	EC38515	Reinforcement	1		

Catalog: 4542 | Grid: 0 | Section: 100 | Page: 35

Catalog Name: **640C Pickup for Self-Propelled Forage Harvester (Worldwide Edition)**

Page Name: **Auger / Fingers**

Direction of Travel:



KM001182

key	PART NO.	PART NAME	QTY	SERIAL NO.	REMARKS
1	Z38395	Pressed Flanged Housing	6		
2	Z32146	Guide	10		
3	M84971	Nut	8		
4	LCA104487	Auger	1		
5	LCA101933	Hub	1		
6	LCA101932	Hub	1		
7	LCA101813	Bushing	1		
8	AZ30561	Finger	10		
9	LCA105642	Bar	1		
10	R47012	Washer	2		
key	PART NO.	PART NAME	QTY	SERIAL NO.	REMARKS
11	LCA104497	Cover	2		(A)
	H36018	Cover	2		(B)
12	JD39103	Ball Bearing	3		

13	E39382	Spacer	1		
14	DC43531	Crank	1		
15	CC103594	Shaft	1		
16	CC44872	Hydr. Cylinder Rod Guide	10		
17	CC44873	Hydr. Cylinder Rod Guide	10		
18	AZ10045	Eccentric Locking Collar	3		
19	49M4049	Key	1		8 X 7 X 25 mm
key	PART NO.	PART NAME	QTY	SERIAL NO.	REMARKS
20	19M7867	Screw	8		M8 X 25
21	26M4228	Shaft Key	1		8 X 28 mm
22	24M7468	Washer	AR		45 X 55 X 1 mm
23	21M7455	Screw	20		M6 X 20
24	19M8306	Screw	2		M12 X 50
25	19M9570	Screw	14		M12 X 25
26	19M7331	Cap Screw	1		M12 X 65
27	19M7167	Cap Screw	9		M10 X 25
28	14M7299	Flange Nut	1		M12
29	14M7272	Nut	20		M6
key	PART NO.	PART NAME	QTY	SERIAL NO.	REMARKS
30	12M7066	Lock Washer	9		10 mm
31	12M7012	Lock Washer	20		6 mm
32	Z11366	Finger	10		
33	H103046	Bearing	20		
34	Z26243	Washer	20		
35	14M7166	Lock Nut	10		M8
36	19M7295	Cap Screw	10		M8 X 45
37	34H385	Spring Pin	10		1/4" X 1-3/4"
38	Flight	1		NSEP; ORDER EC38515
39	Flight	1		NSEP; ORDER EC38515
key	PART NO.	PART NAME	QTY	SERIAL NO.	REMARKS
40	03M7191	Bolt	18		M10 X 25
41	14M7400	Lock Nut	18		M10
42	24M3774	Washer	1		37 X 52 X 6 mm
43	24M6560	Washer	1		35 X 45 X 2.500 mm
44	40M7109	Snap Ring	1		
..	EC38515	Reinforcement	1		

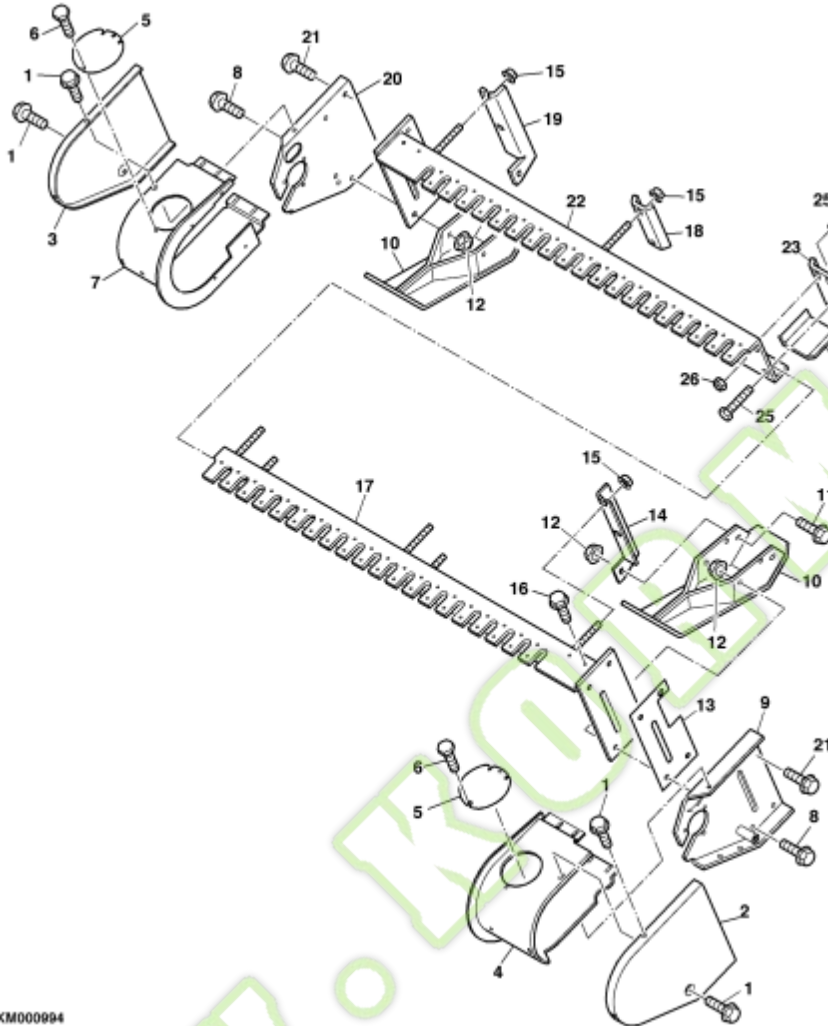
(A) Middle (B) Outer

Catalog: 4542 | Grid: 0 | Section: 100 | Page: 36

Catalog Name: **640C Pickup for Self-Propelled Forage Harvester (Worldwide Edition)**

Page Name: **Frame And Guards**

Direction of Travel:



KM000994

key	PART NO.	PART NAME	QTY	SERIAL NO.	REMARKS
1	19M7867	Screw	AR		M8 X 25
2	DC27508	Shield	1		
3	DC27502	Shield	1		
4	LCA112272	Stripper	1		
5	CC52032	Cover	2		
6	19M7162	Cap Screw	2		M8 X 16
7	LCA108281	Stripper	1		
8	19M7791	Bolt	4		M12 X 40
9	LCA105872	Side Wall	1		
10	LCA112812	Skid Plate	2		
key	PART NO.	PART NAME	QTY	SERIAL NO.	REMARKS
11	19M7789	Screw	2		M12 X 30
12	14M7299	Flange Nut	AR		M12
13	LCA102527	Plate	AR		TK = 1,5mm



	LCA108859	Plate	AR		TK = 0,5mm
14	LCA105268	Sheet	1		
15	14M7291	Flange Nut	AR		M16
16	LCA105916	Screw	AR		sub for E70406
17	LCA102530	Frame	1		
18	LCA102434	Guide	4		
19	LCA105267	Sheet	1		
key	PART NO.	PART NAME	QTY	SERIAL NO.	REMARKS
20	LCA105873	Side Wall	1		
21	19M7788	Screw	4		M12 X 25
22	LCA102531	Frame	1		
23	CC46787	Channel	1		
24	CC49496	Plate	1		
25	19M7411	Cap Screw	4		M16 X 130
26	14M7170	Lock Nut	2		M16

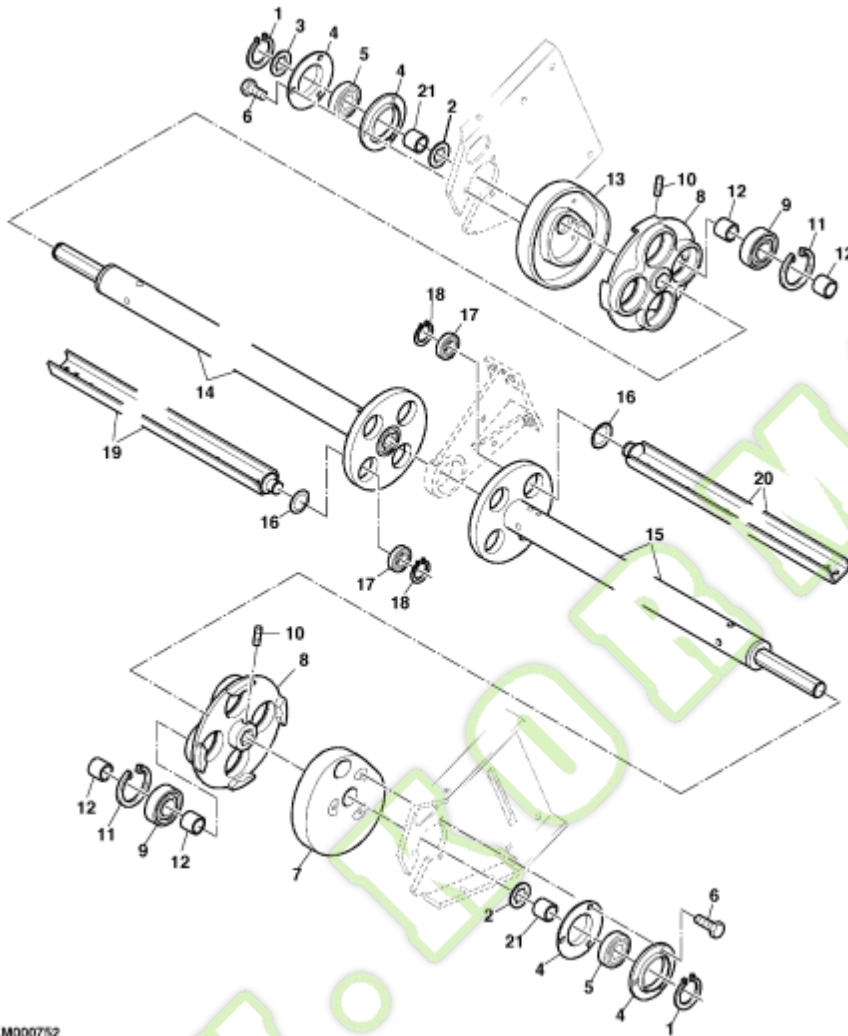
WWW.KORMO.BY

Catalog: 4542 | Grid: 0 | Section: 100 | Page: 37

Catalog Name: **640C Pickup for Self-Propelled Forage Harvester (Worldwide Edition)**

Page Name: **Main Shaft W/ Bearings**

Direction of Travel:



KM000752

key	PART NO.	PART NAME	QTY	SERIAL NO.	REMARKS
1	40M7098	Snap Ring	2		
2	CC28542	Washer	AR		
3	CC28541	Washer	AR		
4	E38105	Pressed Flanged Housing	4		
5	AN102010	Ball Bearing	2		
6	19M7402	Cap Screw	6		M10 X 25
7	CC44956	Cam	1		
8	LCA101935	Spider	2		
9	LCA40379	Ball Bearing	8		
10	22M7009	Set Screw	2		M12 X 12
key	PART NO.	PART NAME	QTY	SERIAL NO.	REMARKS
11	40M7044	Snap Ring	8		
12	LCA101284	Spacer	16		
13	CC44955	Cam	1		

14	LCA101938	Shaft	1		
15	LCA101937	Shaft	1		
16	LCA100690	Washer	8		
17	JD30115	Ball Bearing	8		
18	40M7084	Snap Ring	8		
19	LCA101943	Channel	4		
20	LCA101941	Channel	4		
key	PART NO.	PART NAME	QTY	SERIAL NO.	REMARKS
21	LCA104303	Spacer	2		

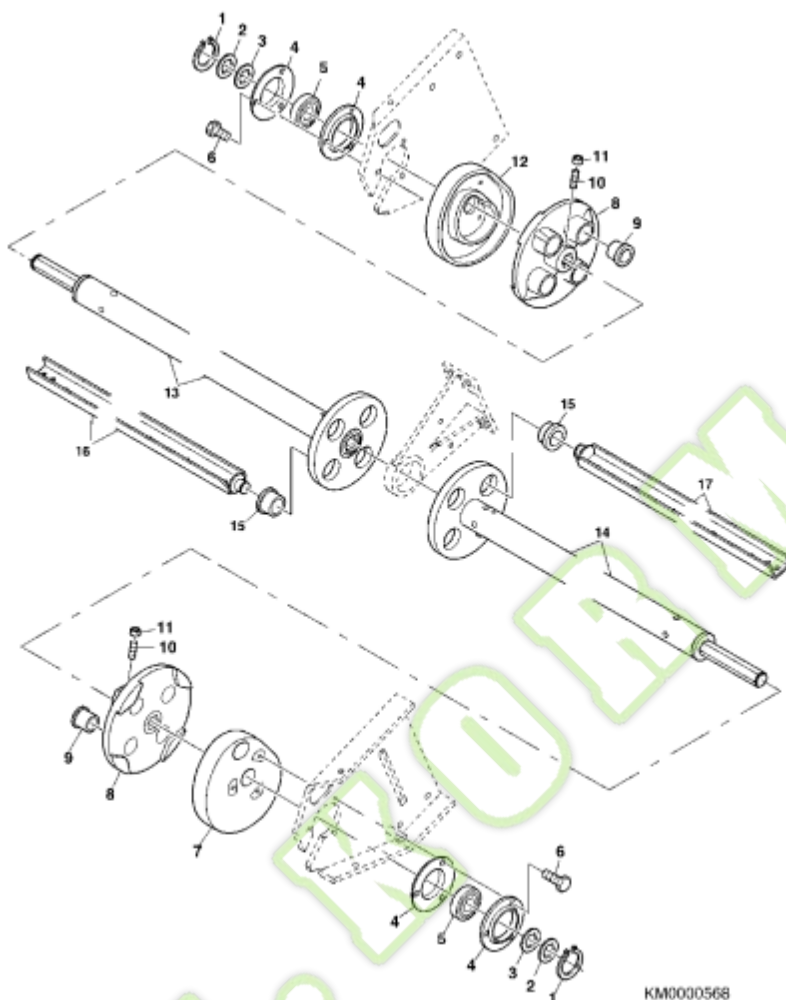
WWW.KORMO.BY

Catalog: 4542 | Grid: 0 | Section: 100 | Page: 38

Catalog Name: **640C Pickup for Self-Propelled Forage Harvester (Worldwide Edition)**

Page Name: **Main Shaft W/ Bushings**

Direction of Travel:



KM0000568

key	PART NO.	PART NAME	QTY	SERIAL NO.	REMARKS
1	40M7098	Snap Ring	2		
2	CC28542	Washer	AR		TK = 1,5 mm
3	CC28541	Washer	AR		TK = 0,5 mm
4	E38105	Pressed Flanged Housing	4		
5	AN102010	Ball Bearing	2		
6	19M7402	Cap Screw	6		M10 X 25
7	CC44956	Cam	1		
8	CC106048	Spider	2		
9	CC111202	Bushing	8		
10	22M7131	Set Screw	AR		M12 X 30
key	PART NO.	PART NAME	QTY	SERIAL NO.	REMARKS
11	14M7275	Nut	AR		M12
12	CC44955	Cam	1		
13	DC203446	Universal Driveshaft	1		
14	DC203447	Shaft	1		

15	CC107623	Bushing	8		
16	DC204003	Channel	4		
17	DC204004	Channel	4		

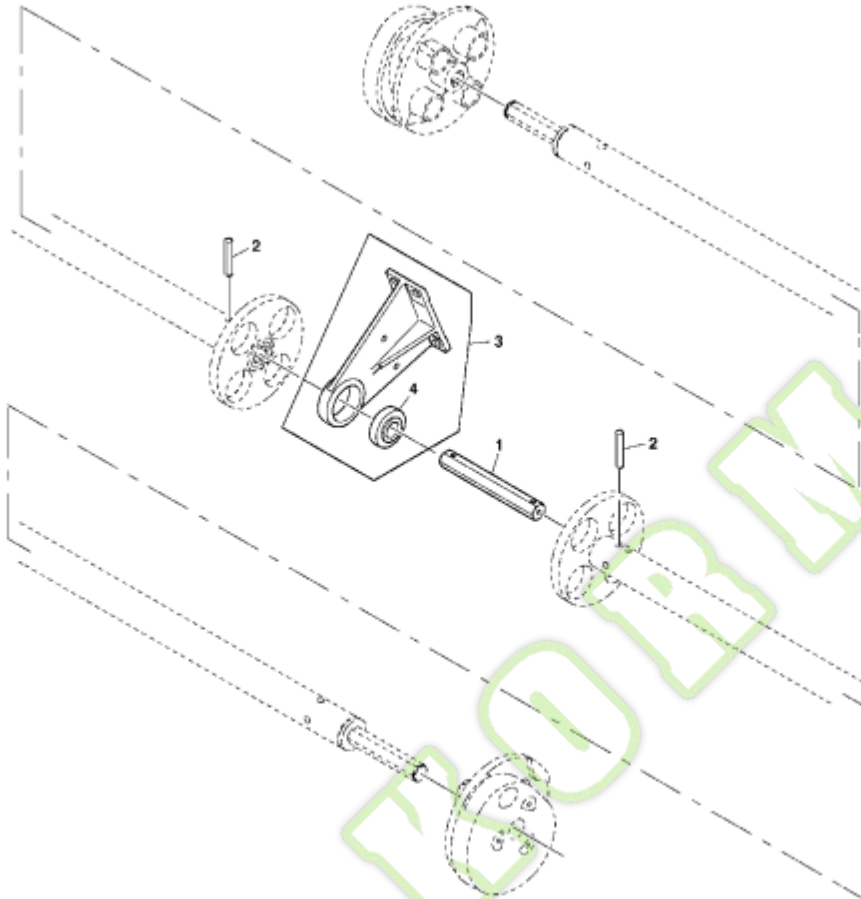
WWW.KORMO.BY

Catalog: 4542 | Grid: 0 | Section: 100 | Page: 39

Catalog Name: **640C Pickup for Self-Propelled Forage Harvester (Worldwide Edition)**

Page Name: **Drum Main Shaft W/ Bushings**

Direction of Travel:



KM000573

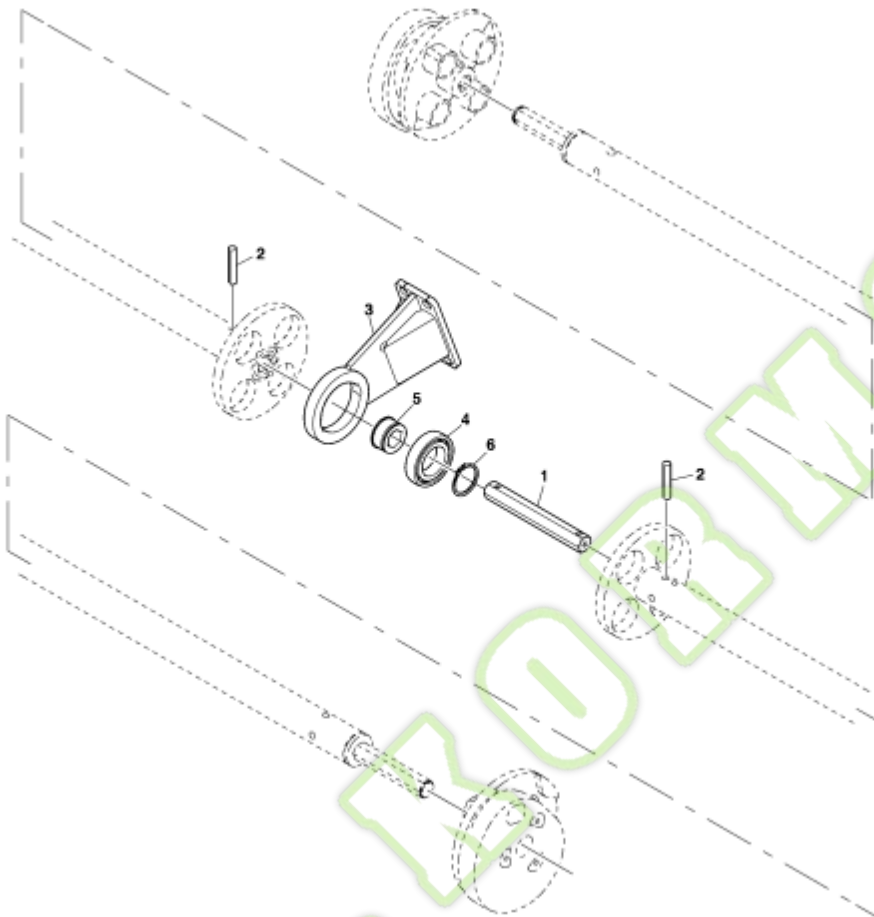
key	PART NO.	PART NAME	QTY	SERIAL NO.	REMARKS
1	CC49048	Bar	1		
2	34M7050	Spring Pin	2		8 X 55 mm
3	DC52064	Bearing With Housing	1		
4	AN102010	Ball Bearing	1		

Catalog: 4542 | Grid: 0 | Section: 100 | Page: 40

Catalog Name: **640C Pickup for Self-Propelled Forage Harvester (Worldwide Edition)**

Page Name: **Drum Main Shaft W/ Bearings**

Direction of Travel:



KM000956

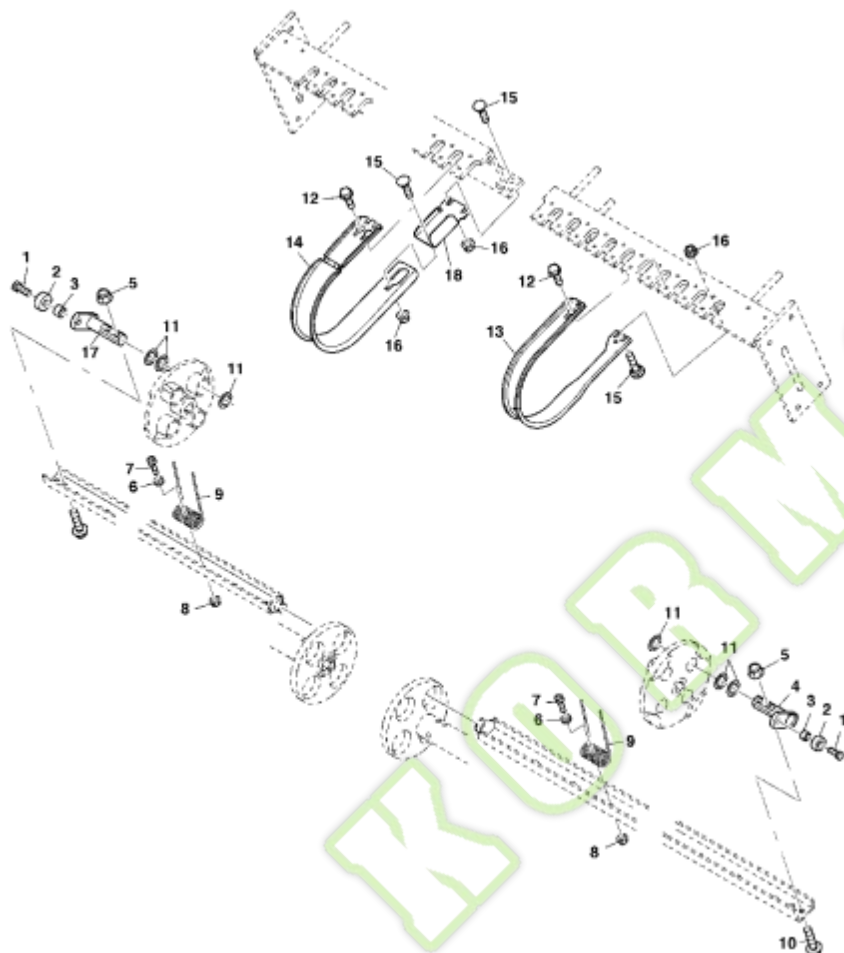
key	PART NO.	PART NAME	QTY	SERIAL NO.	REMARKS
1	CC49048	Bar	1		
2	34M7050	Spring Pin	2		8 X 55 mm
3	LCA103849	Bushing	1		
4	JD33006	Ball Bearing	1		
5	LCA103848	Hub	1		
6	40M7166	Snap Ring	1		

Catalog: 4542 | Grid: 0 | Section: 100 | Page: 41

Catalog Name: **640C Pickup for Self-Propelled Forage Harvester (Worldwide Edition)**

Page Name: **Front Section And Spring Tines**

Direction of Travel:



KM000569

key	PART NO.	PART NAME	QTY	SERIAL NO.	REMARKS
1	19H3030	Cap Screw	8		1/2" X 1-1/4"
2	AFH204000	Ball Bearing	8		
3	CC27513	Washer	8		
4	LCA108782	Pin Fastener	4		
5	14M7401	Lock Nut	AR		M12
6	24M7028	Washer	AR		10.500 X 20 X 2 mm
7	19M9793	Socket Head Screw	AR		M10 X 25
8	14M7518	Flange Nut	AR		M10
9	LCA105173	Spring Tooth	AR		SUB FOR CC25176
10	19M8306	Screw	16		M12 X 50
key	PART NO.	PART NAME	QTY	SERIAL NO.	REMARKS
11	24M7597	Washer	AR		30 X 42 X 1.500 mm
12	LCA105916	Screw	AR		sub for E70406
13	LCA104898	Stripper	AR		
14	DC52035	Stripper	1		

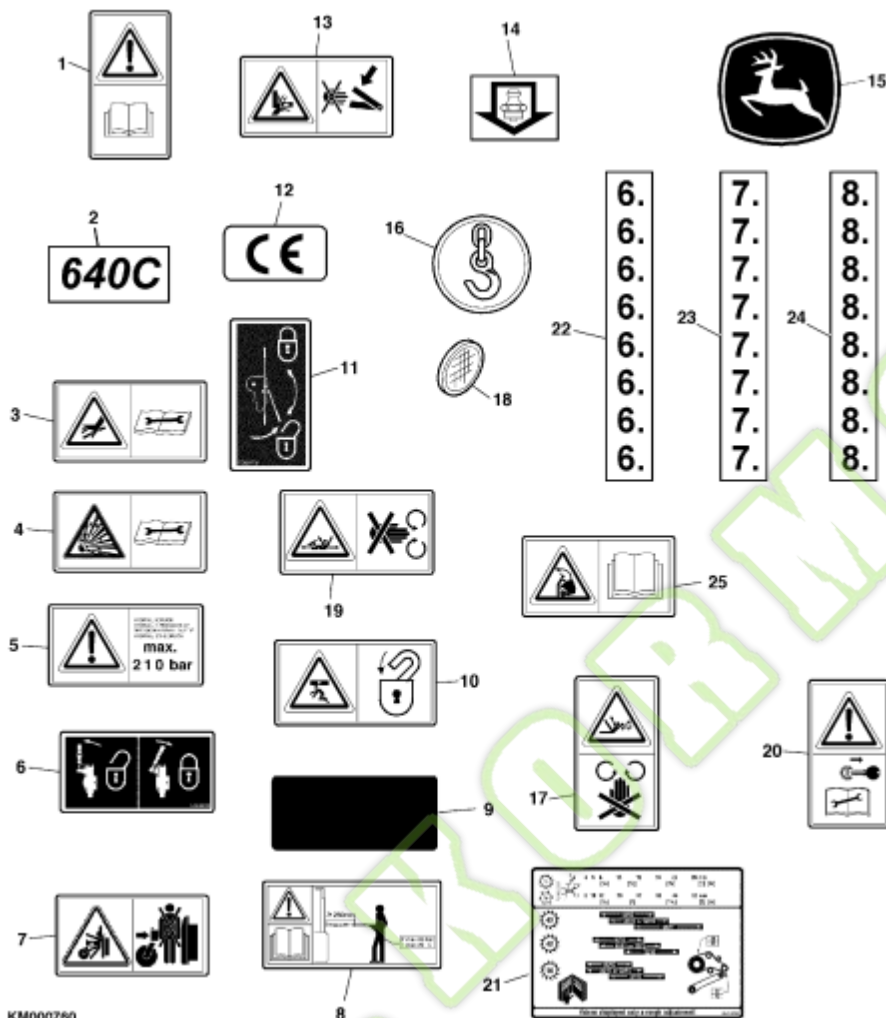
15	03M7184	Bolt	AR	M8 X 20
16	14M7298	Flange Nut	AR	M8
17	LCA108783	Pin Fastener	4	
18	CC52034	Stripper	1	

WWW.KORMO.BY

Catalog: 4542 | Grid: 0 | Section: 100 | Page: 42

Catalog Name: 640C Pickup for Self-Propelled Forage Harvester (Worldwide Edition)

Page Name: Decals - Europe



KM000760

key	PART NO.	PART NAME	QTY	SERIAL NO.	REMARKS
1	CC40740	Label	1		
2	LCA102166	Label	2		
3	LCA102139	Label	1		
4	L113583	Label	1		
5	LCA45302	Label	1		
6	LCA102153	Label	1		
7	LCA100465	Label	4		
8	LCA83199	Label	2		
9	JD5920	Reflector	2		
10	CC40259	Label	3		
key	PART NO.	PART NAME	QTY	SERIAL NO.	REMARKS
11	CC109718	Label	1		
12	JD5915	Label	1		(A)
13	LCA102138	Label	2		
14	LCA30843	Label	7		
15	JD5706	Label	2		

16	LCA53616	Label	8		
17	LCA68623	Label	2		
18	AZ47247	Reflector	2		
19	LCA101614	Safety Sign	1		
20	LCA68622	Label	1		
key	PART NO.	PART NAME	QTY	SERIAL NO.	REMARKS
21	LCA102569	Label	1	-115212	
	LCA102223	Label	1	115213-	
22	LCA103896	Label	1		
23	LCA103897	Label	1		
24	LCA103898	Label	1		
25	LCA102566	Label	1		

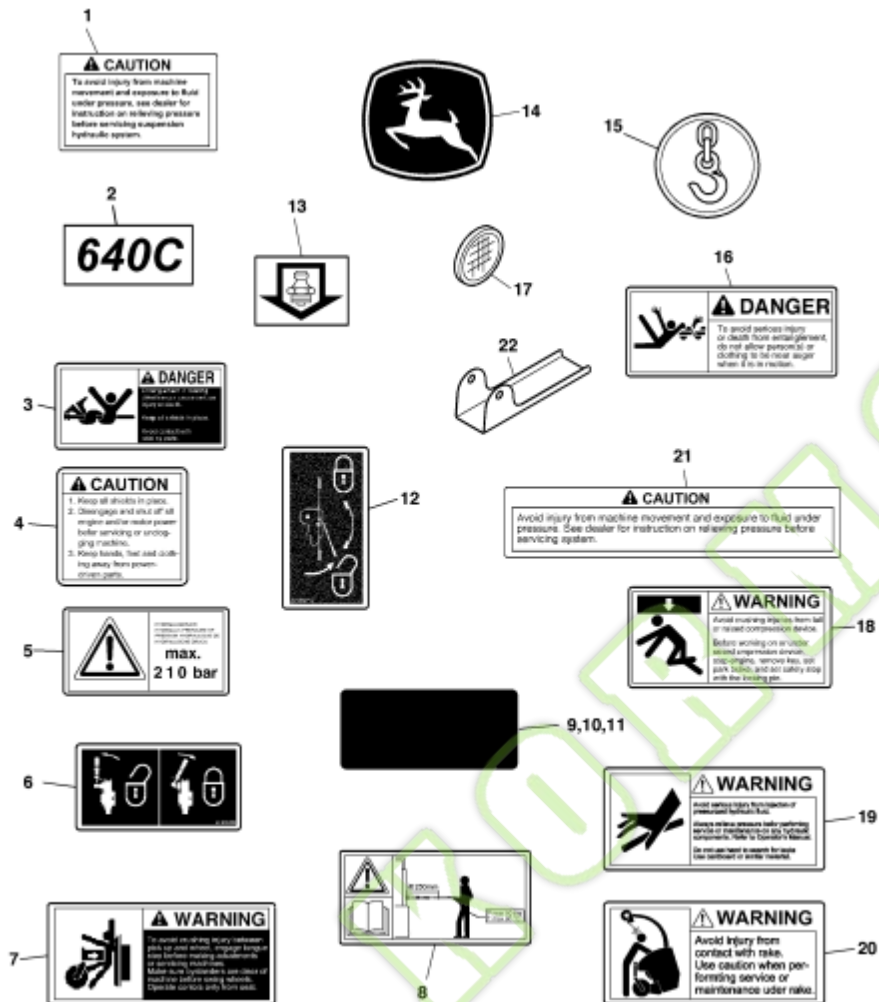
(A) Red

WWW.KORMO.BY

Catalog: 4542 | Grid: 0 | Section: 100 | Page: 43

Catalog Name: 640C Pickup for Self-Propelled Forage Harvester (Worldwide Edition)

Page Name: Decals - Canada And U.S.A.



KM000952

key	PART NO.	PART NAME	QTY	SERIAL NO.	REMARKS
1	LCA101550	Safety Sign	1		
2	LCA102166	Label	2		
3	E82514	Safety Sign	1		
4	E82510	Decals	2		
5	LCA45302	Label	1		
6	LCA102153	Label	1		
7	LCA101615	Label	4		
8	LCA83199	Label	2		
9	JD5920	Reflector	2		(B)
10	JD5921	Reflector	2		(A)
key	PART NO.	PART NAME	QTY	SERIAL NO.	REMARKS
11	JD5922	Reflector	2		(C)
12	CC109718	Label	1		
13	LCA30843	Label	7		
14	JD5706	Label	2		
15	LCA53616	Label	8		

16	N220450	Label	2		
17	AZ47247	Reflector	2		
18	LCA100217	Label	3		
19	LCA100216	Label	1		
20	LCA102599	Safety Sign	1		(D)
key	PART NO.	PART NAME	QTY	SERIAL NO.	REMARKS
	LCA102654	Safety Sign	1		(E)
	LCA102653	Safety Sign	1		(F)
21	R210276	Label	1		(D)
	R210277	Label	1		(E)
	R210278	Label	1		(F)
22	LCA105222	Retainer	2		

(A) Yellow(B) Red(C) Orange

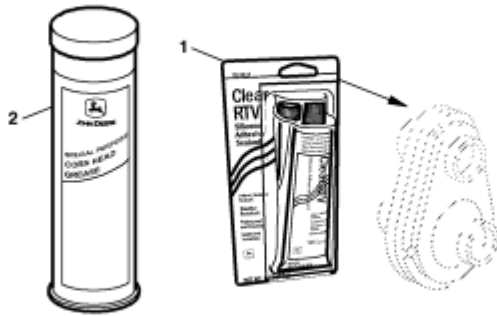
(D) English(E) Spanish(F) French

WWW.KORMO.BY

Catalog: 4542 | Grid: 0 | Section: 100 | Page: 44

Catalog Name: **640C Pickup for Self-Propelled Forage Harvester (Worldwide Edition)**

Page Name: **Accessories**



KM000948

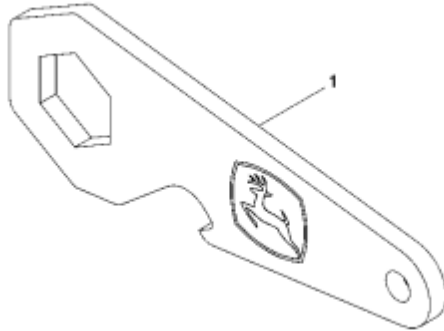
key	PART NO.	PART NAME	QTY	SERIAL NO.	REMARKS
1	PM37463	Liquid Gasket	1		
2	MCAN102562	Grease	1		400 G

WWW.KORMO.BY

Catalog: 4542 | Grid: 0 | Section: 100 | Page: 45

Catalog Name: **640C Pickup for Self-Propelled Forage Harvester (Worldwide Edition)**

Page Name: **Opener For Guards**



CC022622

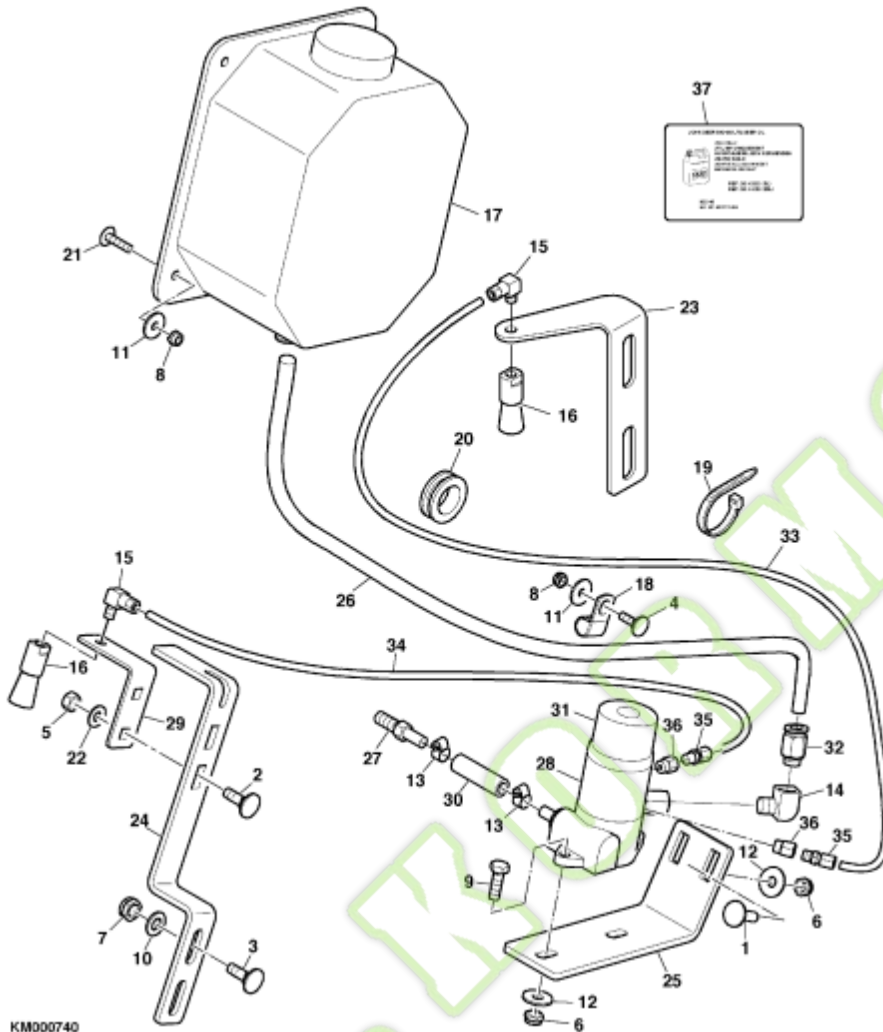
key	PART NO.	PART NAME	QTY	SERIAL NO.	REMARKS
1	Z75000	Wrench	1		

WWW.KORMO.BY

Catalog: 4542 | Grid: 0 | Section: 100 | Page: 46

Catalog Name: **640C Pickup for Self-Propelled Forage Harvester (Worldwide Edition)**

Page Name: **Chain Lubrication**



KM000740

key	PART NO.	PART NAME	QTY	SERIAL NO.	REMARKS
1	03M7185	Bolt	2		M8 X 25
2	03M7184	Bolt	2		M8 X 20
3	03M7017	Bolt	2		M10 X 25
4	03M7068	Bolt	2		M6 X 20
5	14M7029	Nut	2		M8
6	14M7166	Lock Nut	4		M8
7	14M7167	Lock Nut	4		M10
8	14M7165	Lock Nut	6		M6
9	19M7163	Cap Screw	2		M8 X 25
10	24M7028	Washer	2		10.500 X 20 X 2 mm
key	PART NO.	PART NAME	QTY	SERIAL NO.	REMARKS
11	24M7100	Washer	6		6.600 X 22 X 2 mm
12	24M7179	Washer	4		8.400 X 24 X 2 mm
13	AR48236	Clamp	2		
14	RE537834	Elbow Fitting	1		
15	CC106202	Coupling	2		



16	CC106359	Brush	2		
17	DC205765	Hydraulic Reservoir	1		
18	H75541	Clamp	2		
19	R44302	Tie Band	2		
20	B15504	Grommet	1		
key	PART NO.	PART NAME	QTY	SERIAL NO.	REMARKS
21	21M7159	Screw	4		M6 X 25
22	LCA84221	Lock Washer	2		
23	LCA102597	Sheet	1		
24	LCA102598	Sheet	1		
25	LCA102600	Sheet	1		
26	LCA102614	Hose	1		LGTH = 1000 mm
27	LCA102622	Stud	1		
28	LCA102707	Lubricator	1		Incl. Keys 14,31,32,33,34,35,36
29	LCA104350	Sheet	1		
30	Compressed Air Hose	1		LGTH = 60 mm, MF CC109586
key	PART NO.	PART NAME	QTY	SERIAL NO.	REMARKS
31	CC110083	Cover	1		
32	CC111964	Hose Fitting	1		
33	Hose	1		LGTH = 700 mm, MF LCA102626
34	LCA102626	Hose	1		LGTH = 1000 mm
35	LCA104495	Check Valve	2		
36	LCA104496	Union Fitting	2		
37	CC49447	Label	1		
..	LCA102504	Adapter Kit	1		

