

Attachments

for 366W SP FORAGE PICK-UP-HEAD (1_03-)

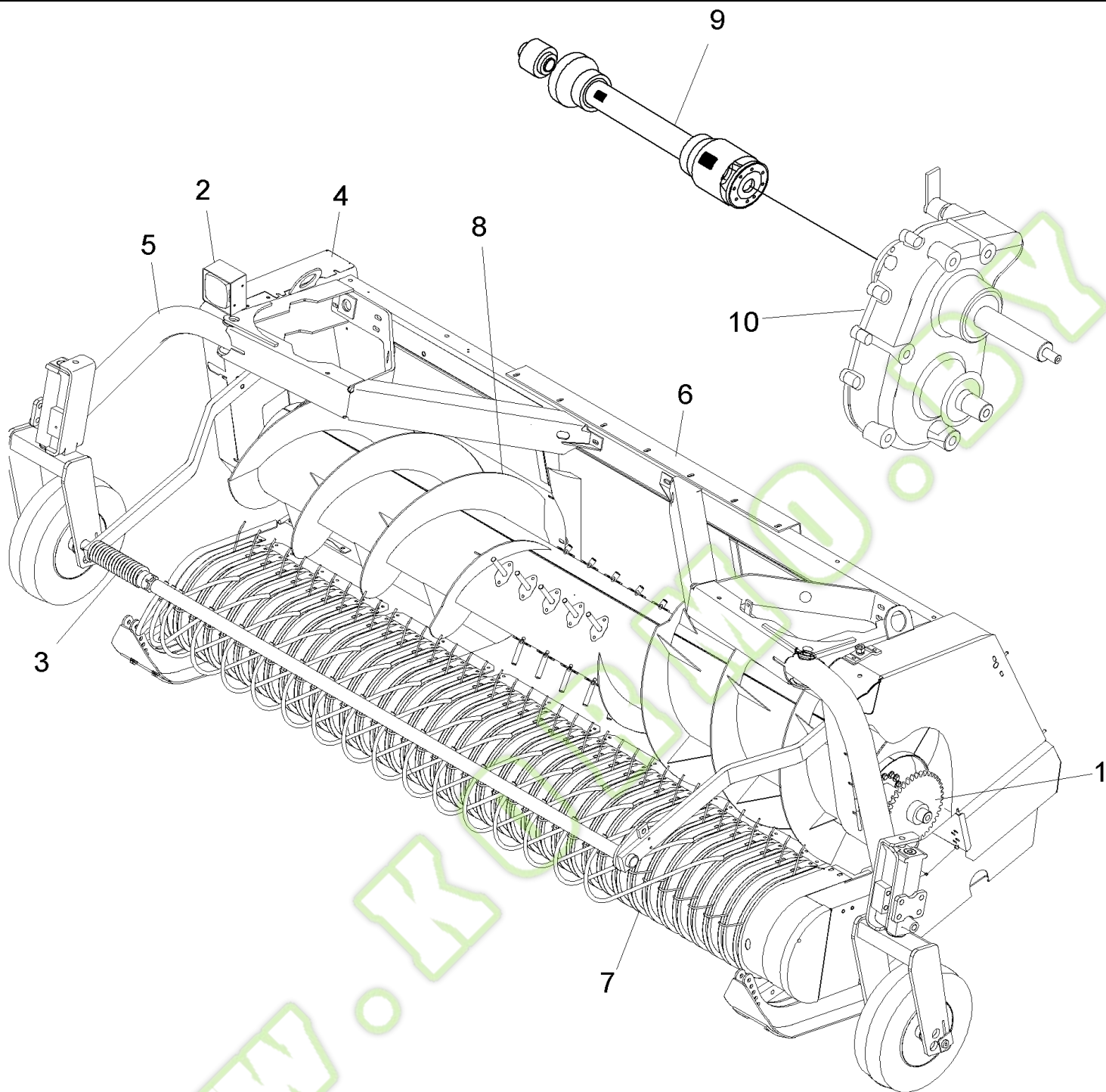
FX30 SELF-PROPELLED FORAGE HARVESTER (10/02-)

FX40 SELF-PROPELLED FORAGE HARVESTER (10/02-)

FX50 SELF-PROPELLED FORAGE HARVESTER (10/02-)

FX60 SELF-PROPELLED FORAGE HARVESTER (10/02-)

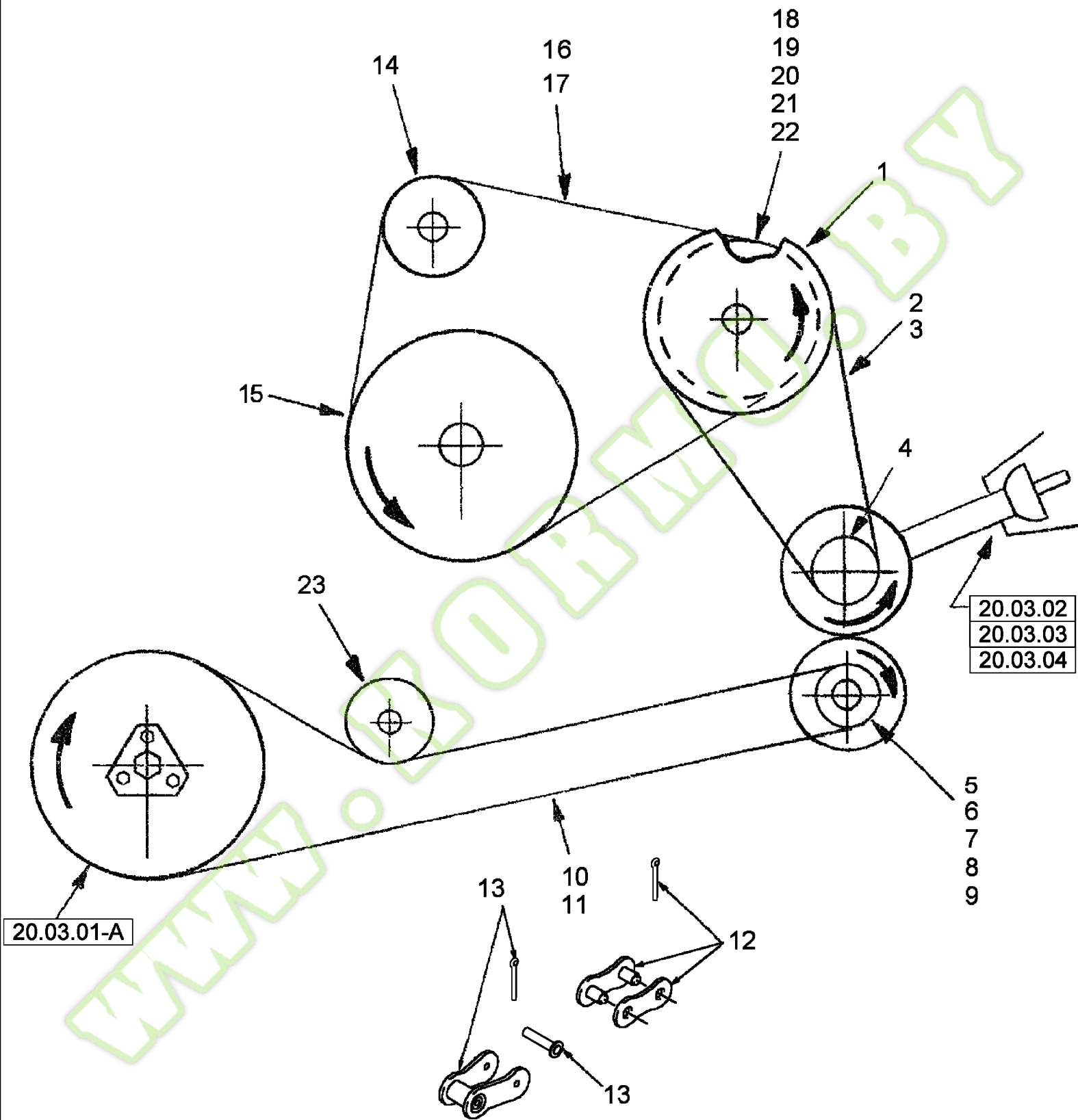
WWW.KORMO.BY



20.00.01 PICTORIAL INDEX

Ref	Part Number	Qty	Description
1			Fig 20.16, Drive, Auger
2			Fig 20.06, Lights
3			Fig 20.07, Wind Guard Lift Hydraulics
3			Fig 20.12, Wind Guard
4			Fig 20.08, Shielding, Decals
5			Fig 20.11, Guage Wheel
6			Fig 20.12, Frame, Adapter, Jack
7			Fig 20.13, Pickup, Tine bar, Skid shoe
8			Fig 20.16, Auger
9			Fig 20.03, PTO
10			Fig 20.03, Gearbox

WWW.KORMO.BY



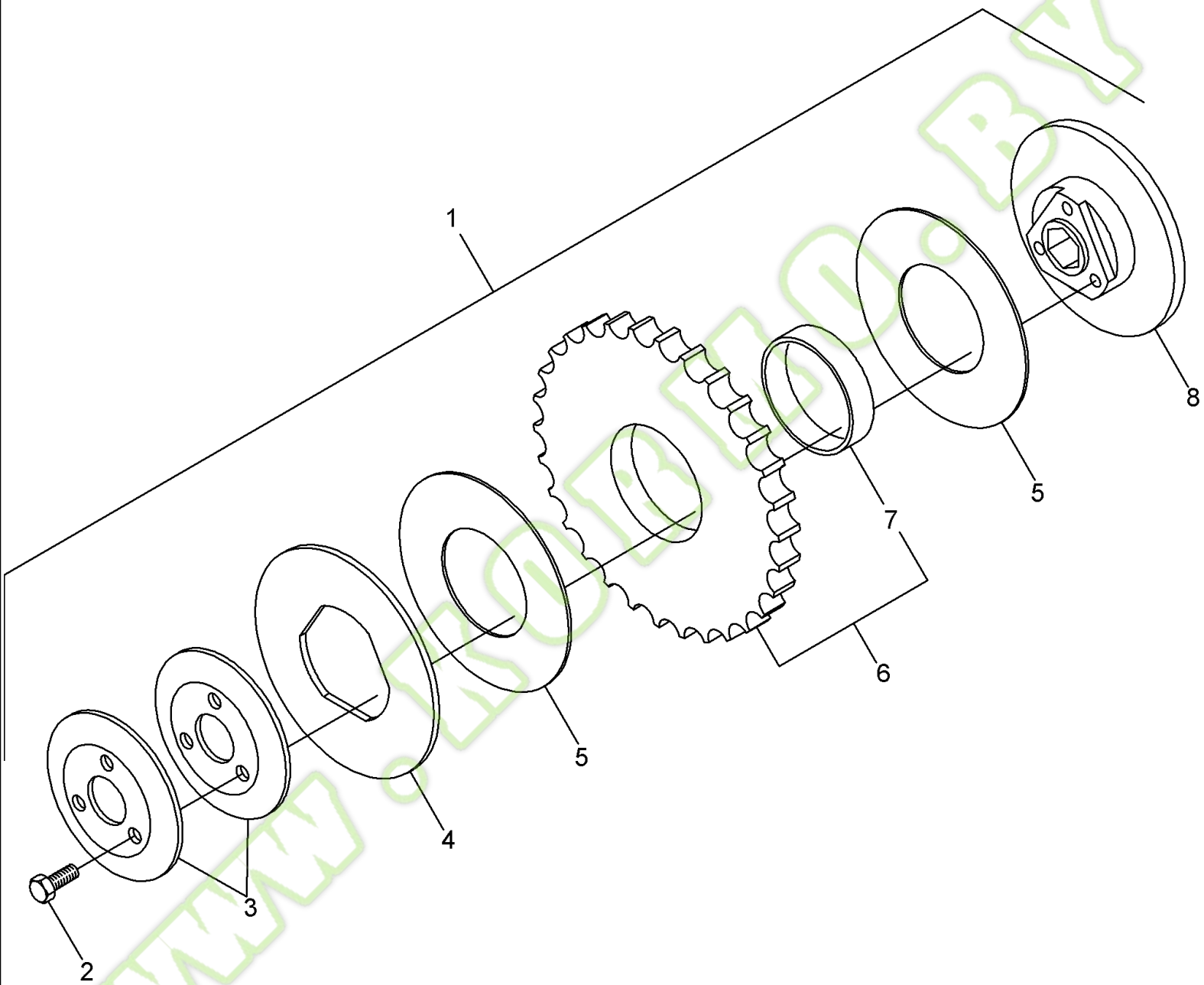
See Figure 20.08.02 Ref 3, 4, 6 & 8 for spare sprockets.

366W SP FORAGE PICK-UP HEAD (1/03-)

20.03.01 DRIVE

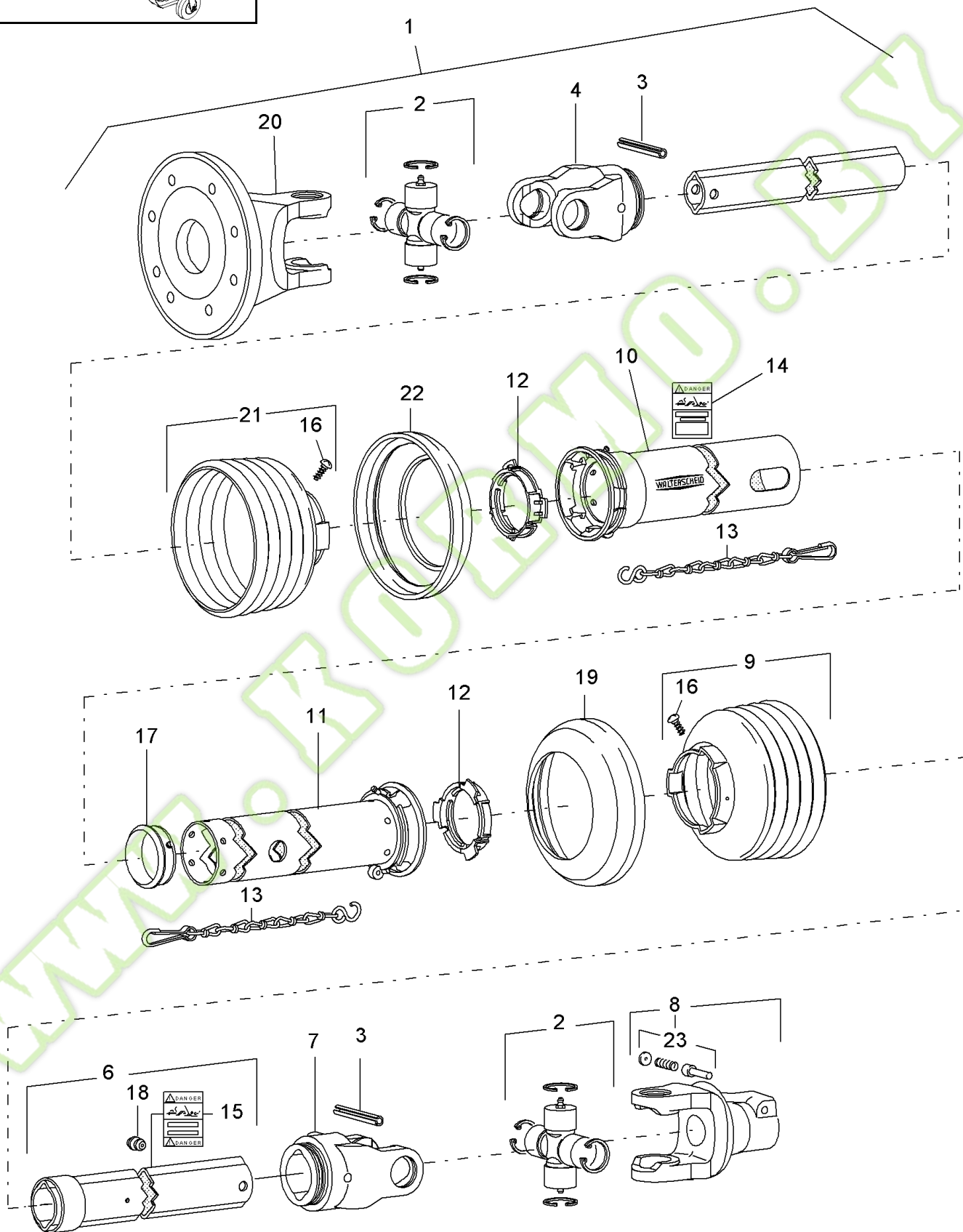
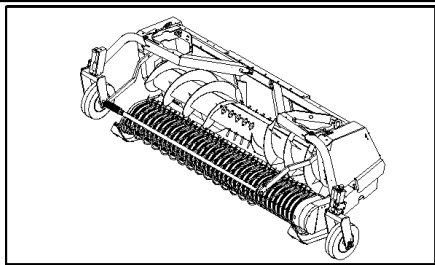
Ref	Part Number	Qty	Description
1	86977204	1	SPROCKET, DRIVEN, 25T
2	86544199	1	CHAIN, RC 80, 46 Pitch, 45 Links
3	86563356	AR	CHAIN, RC 80, 46 Pitch, 45 Links, Chrome Pin
4	87016101	1	SPROCKET, 16T, RC80, 10 Holes
5	86977187	1	SPROCKET, DRIVEN, 10T, 20.03.10 Ref 9
6	86977138	1	SPROCKET, DRIVING, 12T, 20.03.10 Ref 9
7	87017905	1	SPROCKET, 13T, 20.03.10 Ref 9
8	86977188	1	SPROCKET, DRIVEN, 14T, Factory Installed, 20.03.10 Ref 9
9	86837912	1	SPROCKET, 17T, 20.03.10 Ref 9
10	86548163	1	CHAIN, Roller, RC 80, 89 Pitches, 87 Links
11	86555133	AR	CHAIN, Roller, RC 80, 89 Pitches, 87 Links, Chrome Pin
12	86643889	1	LINK, CONNECTING, #80
13	86977428	AR	LINK, CONNECTING, #80, Offset
14	86631245	1	SPROCKET, 13T, Requires Bearing, Ref 28, Fig 20.16.04
15	86977182	1	SPROCKET, DRIVEN, 32T, 20.16.02 Ref 5
15	86977199	1	SPROCKET, DRIVEN, 346W, 28T, 20.16.02 Ref 5
15	86977202	1	SPROCKET, DRIVEN, 346W, 24T, 20.16.02 Ref 5
16	86557074	1	CHAIN, Roller, RC 80, 56 Pitches, Chrome Pin, Endless
17	9802985	1	CHAIN, {PP:89802985} Roller, RC 80, 56 Pitches
18	86977176	1	SPROCKET, DRIVEN, 21T, 20.16.04 Ref 13
19	86631243	1	SPROCKET, 19T, 20.16.04 Ref 13
20	86977172	1	SPROCKET, 17T, Factory Install prior to PIN 45699, 20.16.04 Ref 13
21	86977173	1	SPROCKET, 15T, 20.16.04 Ref 13
22	86977174	1	SPROCKET, DRIVEN, 13T, Factory Install PIN 45699 and after, 20.16.04 Ref 13
23	66614	1	SPROCKET, {PP:80066614} 13T, [Yellow version of 66614]

See Figure 20.08.02 Ref 3, 4, 6 & 8 for spare sprockets.



Ref	Part Number	Qty	Description
1	86631276	1	CLUTCH, SLIP, Assembly
2	88616	3	BOLT, {PP:80088616} HH, Tap, G5, 3/8"-16 x 1-1/2"
3	121092	2	WASHER, {PP:80121092} Spring
4	86627129	1	CLUTCH, PLATE,
5	127434	2	DISC, {PP:80127434} Friction
6	86548164	1	SPROCKET, DRIVEN, 31 Tooth
7	49686	1	BUSHING, {PP:80049686}
8	629556	1	HUB, {PP:80629556} Clutch

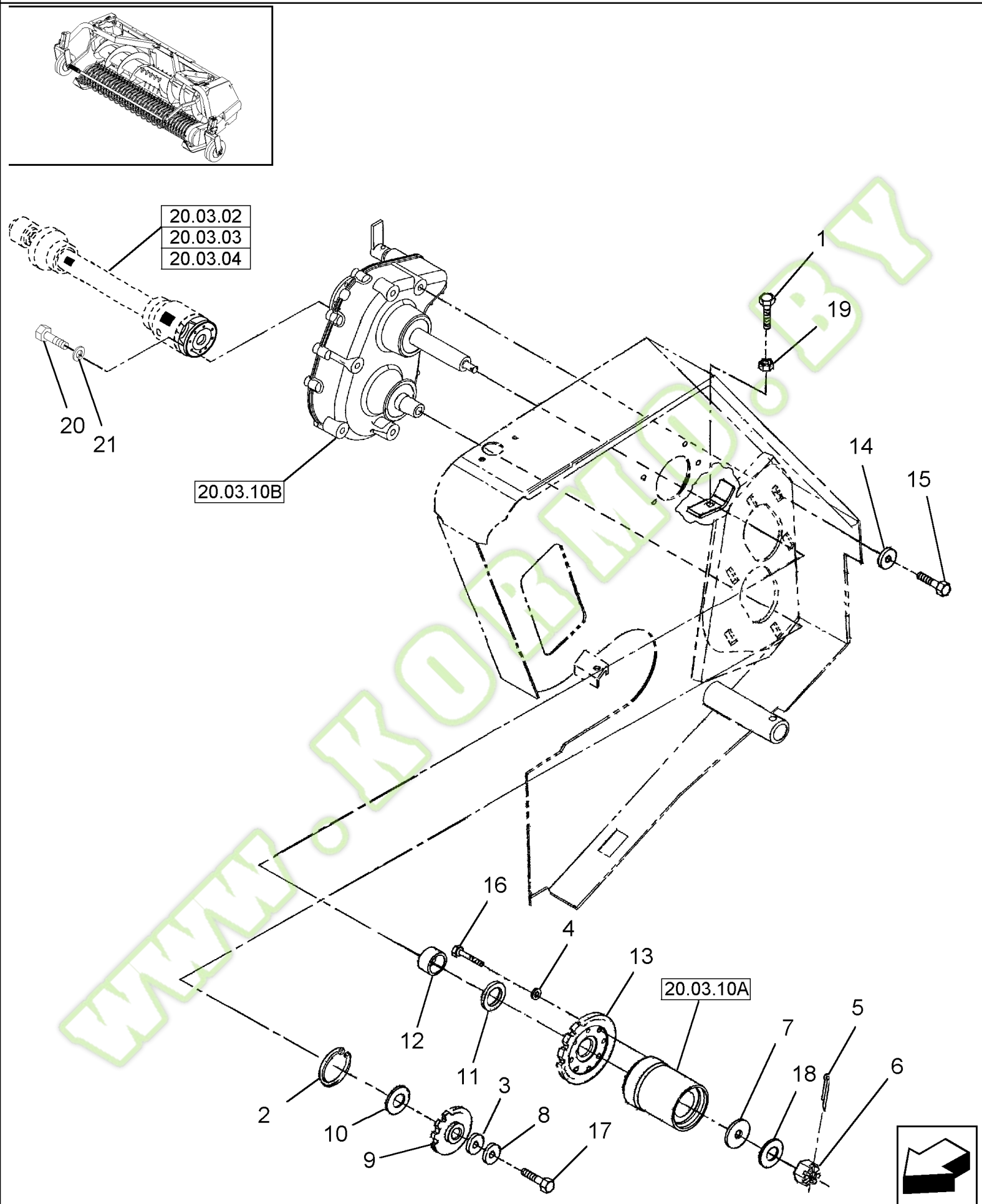
WWW.KORMO.BY



366W SP FORAGE PICK-UP HEAD (1/03-)

20.03.04 PTO, 35.83" TO 50.35" LONG

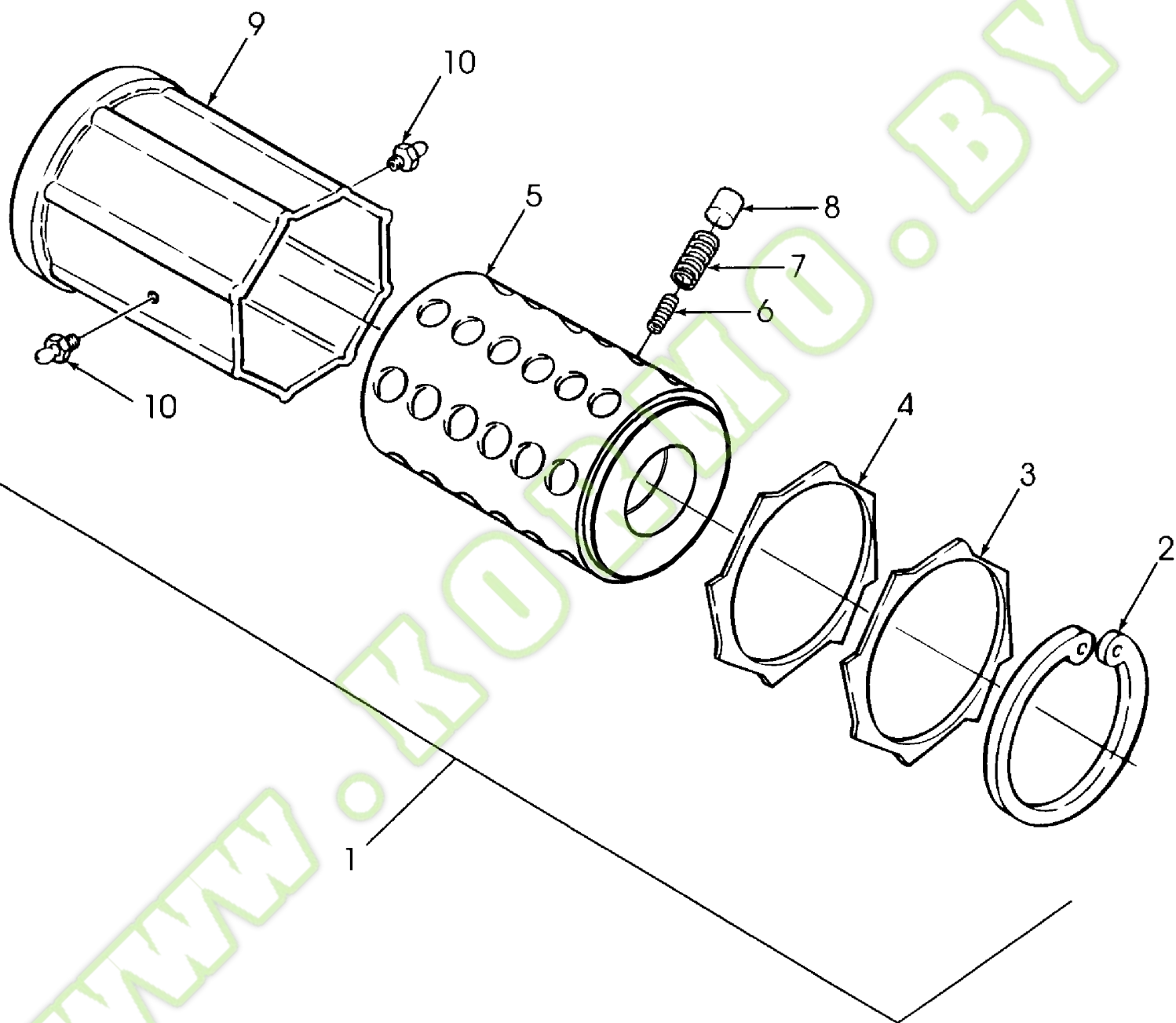
Ref	Part Number	Qty	Description
1	87013289	1	PTO, 366W
2	86574861	2	SPIDER, Kit
3	440437	2	PIN, ROLL, {PP:80440437} M10 x 80 Slotted, M10 x 80
4	734185	1	YOKE, {PP:80734185}
5	86574864	1	PROFILE, Inner
6	86574865	1	SLEEVE,
7	734265	1	YOKE, {PP:80734265}
8	87013291	1	YOKE,
9	87013292	2	CONE, 9-Rib
10	87013297	1	SHIELD, OUTER,
11	87013298	1	SHIELD, INNER,
12	411728	2	RING, {PP:80411728} Bearing
13	379650	2	CHAIN, {PP:80379650} Safety
14	849471	1	DECAL, {PP:80849471} Safety
15	849472	1	DECAL, {PP:80849472} DANGER, Shield Missing
16	86585706	2	SCREW, Cross Pan Hd, M4 x 10, Pan Hd, CL 4.8, M4 x 0.7 x 10
17	277860	1	BEARING ASSY, {PP:80277860}
18	750220	1	NIPPLE, LUBE, {PP:80750220}
19	456679	2	COLLAR, {PP:80456679}
20	87013290	1	FLANGE,
21	87025960	1	CONE, 8-Rib
22	456570	1	REINFORCEMENT, {PP:80456570} Collar
23	279472	1	KIT, REPAIR, {PP:80279472} Pin



366W SP FORAGE PICK-UP HEAD (1/03-)

20.03.10 PTO, GEAR BOX, SPROCKETS, CLUTCH, MOUNTING

Ref	Part Number	Qty	Description
1	412498	1	BOLT, {PP:80412498} Hex, M12 x 65, 8.8, Full Thd, Cap, HH, CL 8.8, M12 x 65
2	9840045	1	CIRCLIP, {PP:89840045} External, 32 x 1.5MM
3	773427	2AR	WASHER, {PP:80773427} 1-3/32"OD x 5/8"Nominal ID x 0.020"Nominal Thk
4	285072	10	WASHER, {PP:80285072} HT, 7/8" x 13/32" x 0.105"
5	412685	1	PIN, SPLIT (COTTER), {PP:80412685} M4 x 32, M4 x 32
6	412145	1	SLOTTED NUT, {PP:80412145} M16 x 1.5, CI 8, M16 x 1.5
7	86979179	1	WASHER, 34.9 x 16.7 x 6.35MM
8	574245	1	WASHER, {PP:80574245} 2" x 11/16" x 1/4"
9	86977188	1	SPROCKET, DRIVEN, 14T
10	675	3AR	WASHER, {PP:80000675} 2-1/4" x 1-17/64" x 1/16"
11	164999	5AR	WASHER, {PP:80164999} 1.66" x 1.39" x 0.036"
12	87012313	1	SPACER,
13	87016101	1	SPROCKET, 16T, RC80
14	86592701	6	WASHER, M12 x 35 x 5, HT, HT, M12
15	9706687	6	SCREW, {PP:89706687} Hex, M12 x 30, 8.8, Cap, HH, CL 8.8, M12 x1.75 x 30
16	9861444	10	SCREW, {PP:89861444} Hex, M10 x 20, 10.9, Full Thd, Cap, HH, CL 10.9, M10 x 1.5 x 20
17	43168	1	SCREW, {PP:80043168} Hex, M16 x 40, 8.8, Hex, M16 x 40, 8.8
18	87365	1	WASHER, {PP:80087365} 5/8", SAE, 5/8"
19	89706685	1	NUT, CL 8, M12
20	43140	8	BOLT, {PP:80043140} Hex, M10 x 30, 8.8, Cap, HH, CL 8.8, M10 x 1.5 x 30
21	140045	8	WASHER, LOCK, {PP:80140045} Belleville, M10, M10

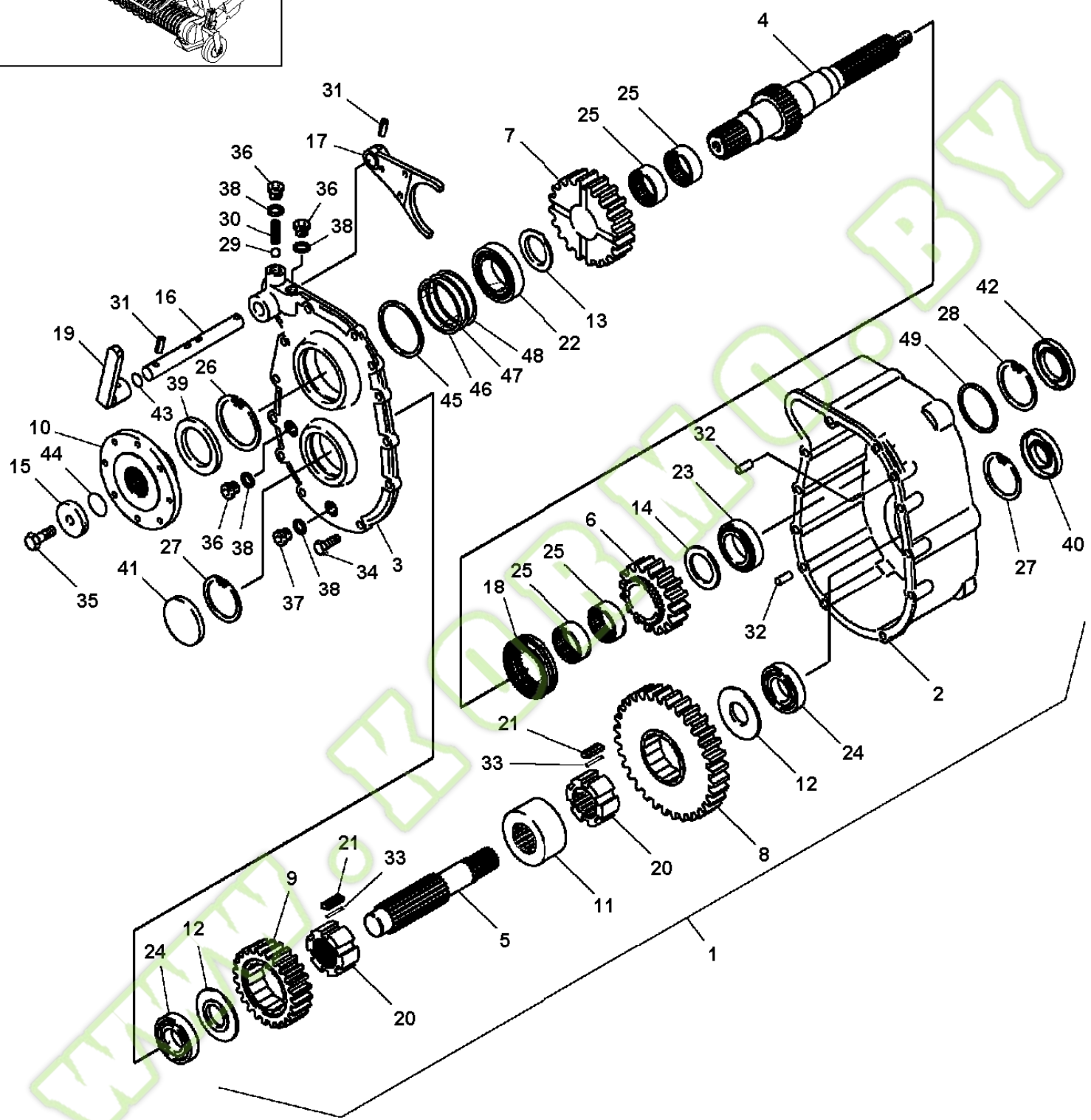
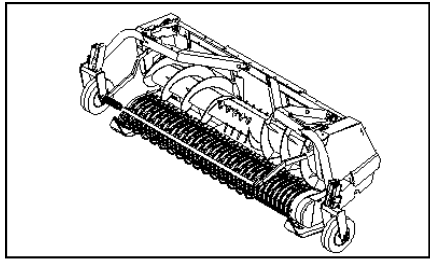


20.03.10A RADIAL PIN CLUTCH BREAKDOWN

Ref	Part Number	Qty	Description
1	86977295	1	CLUTCH, SLIP, Radial Pin
2	80300633	1	RING, SNAP, Int, M80
3	418509	1	RING, {PP:80418509} Thrust
4	9803341	1	SEAL, {PP:89803341}
5	86551362	1	HUB, 1-3/8", 21-spline,
6	279346	33	SPRING, {PP:80279346} Inner
7	386510	48	SPRING, {PP:80386510} Outer
8	275246	48	CAM, {PP:80275246}
9	86551361	1	HOUSING, Clutch
10	412014	2	NIPPLE, LUBE, {PP:80412014}

WWW.KORMO.BY

20.03.10B GEARBOX BREAKDOWN



366W SP FORAGE PICK-UP HEAD (1/03-)

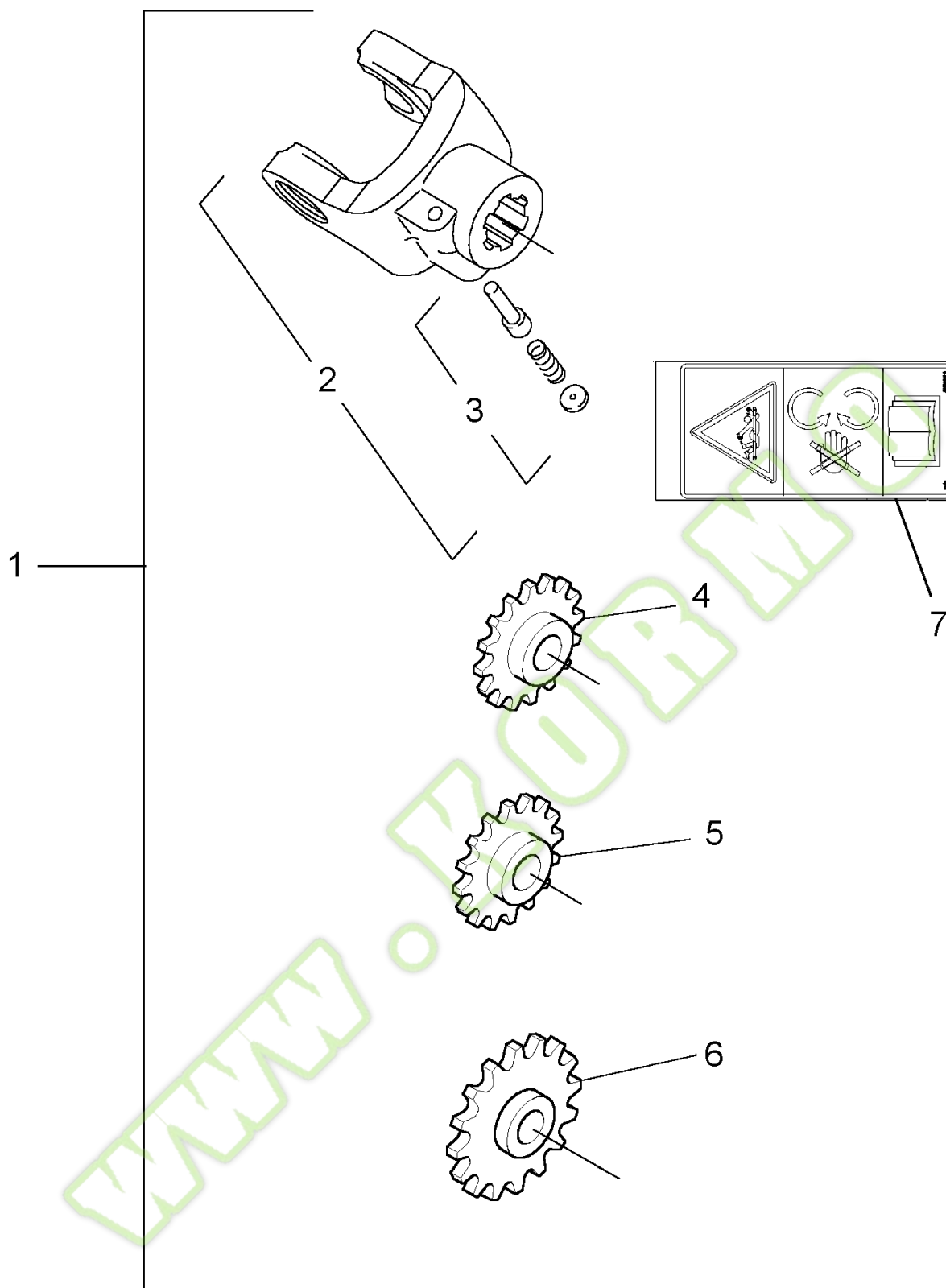
20.03.10B GEARBOX BREAKDOWN

Ref	Part Number	Qty	Description
1	87022331	1	GEARBOX,
2	87027267	1	GEARBOX, Housing
3	87027268	1	COVER,
4	87027269	1	SHAFT,
5	87027270	1	SHAFT,
6	87027271	1	GEAR, 16T, Cylindrical
7	87027272	1	GEAR, 20T, Cylindrical
8	87027273	1	GEAR, 31T, Cylindrical
9	87027274	1	GEAR, 25T, Cylindrical
10	87027275	1	FLANGE,
11	87027276	1	HUB, Splined
12	87027277	2	WASHER,
13	87027278	1	SPACER,
14	87027279	1	WASHER,
15	87027280	1	WASHER,
16	87027281	1	ROD, Shifter, Clutch Axle
17	87027282	1	FORK, SHIFTER, Clutch
18	87027283	1	GEAR, RING, Clutch
19	87027284	1	HANDLE, Shifter, Clutch Stick
20	87027285	2	HUB,
21	87027286	2	WOODRUFF KEY,
22	87027287	1	BEARING, ROLLER, Taper
23	87027288	1	BEARING, ROLLER, Taper
24	87027289	2	BEARING, BALL, Single Row, Deep Groove
25	87027290	4	BEARING, NEEDLE,
26	370021	1	CIRCLIP, {PP:80370021} M85 x 3, Int, Inid, 85 x 3
27	370018	2	RING, SNAP, {PP:80370018} Inid, 72 x 2.5
28	382103	1	CIRCLIP, {PP:80382103} Inid, 75 x 2.5
29	87027291	1	BALL,
30	87027292	1	SPRING, Compression
31	300871	2	PIN, ROLL, M8 x 30, Slotted, 8 x 30
32	87027293	2	PIN, Dowel
33	87027294	2	SPRING, LEAF,
34	43140	10	BOLT, {PP:80043140} Hex, M10 x 30, 8.8, Cap, HH, CL 8.8, M10 x 1.5 x 30
35	300389	1	SCREW, {PP:80300389} Hex, M12 x 35, 8.8, Full Thd, Cap, HH, CL 8.8, M12 x 1.75 x 35
36	86598045	3	PLUG, Hex Socket, M16 x 1.5
37	87027295	1	PLUG, Hex Socket, M16 x 1.5, Magnetic
38	86980242	4	SEAL, A16 x 20
39	87027296	1	SEAL, AS, M60 x 85 x 8
40	86539169	1	SEAL, AS, M35 x 72 x 10
41	87027297	1	CAP, M72 x 9
42	87027298	1	SEAL, AS, M45 x 75 x 08
43	87027299	1	RING, M19.4 x 2.1
44	87027300	1	RING, M36 x 5.0
45	87027301	1	SHIM, M75 x 85 x 3.5

20.03.10B GEARBOX BREAKDOWN

Ref	Part Number	Qty	Description
46	87027302	2	SHIM, M75 x 85 x 0.1
47	87027303	2	SHIM, M75 x 85 x 0.3
48	87027304	1	SHIM, M75 x 85 x 0.5
49	87027305	1	SHIM, M66 x 75 x 3

WWW.KORMO.BY

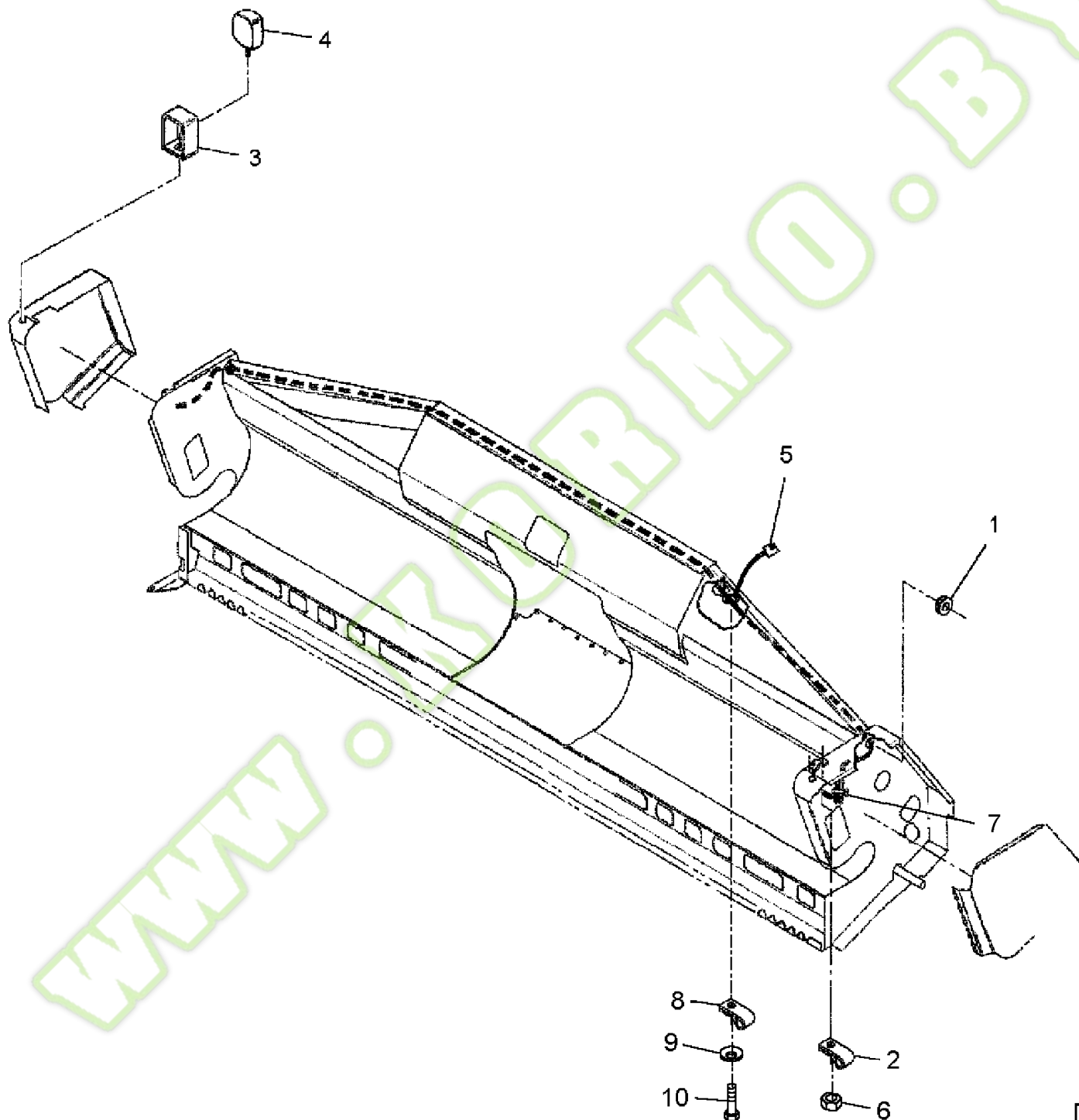
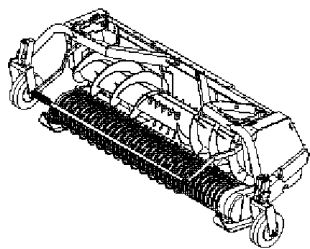


366W SP FORAGE PICK-UP HEAD (1/03-)

20.03.12 KIT, REBUILD 356W/366W TO 355W/365W

Ref	Part Number	Qty	Description
1	87030404	1	KIT, CONVERSION, Rebuild 356W To 355W, [Allows FX 5/8 Series Attachment]
1	87030405	1	KIT, CONVERSION, Rebuild 366W To 365W
2	86555146	1	YOKE, QD, 1-3/8, 21
3	744051	1	KIT, {PP:80744051} QD Pin
4	86977138	1	SPROCKET, DRIVING, 12T
5	87017905	1	SPROCKET, 13T
6	86631243	1	SPROCKET, 19T
7	86520062	1	DECAL, Required due to shortened PTO shield

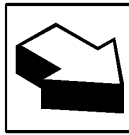
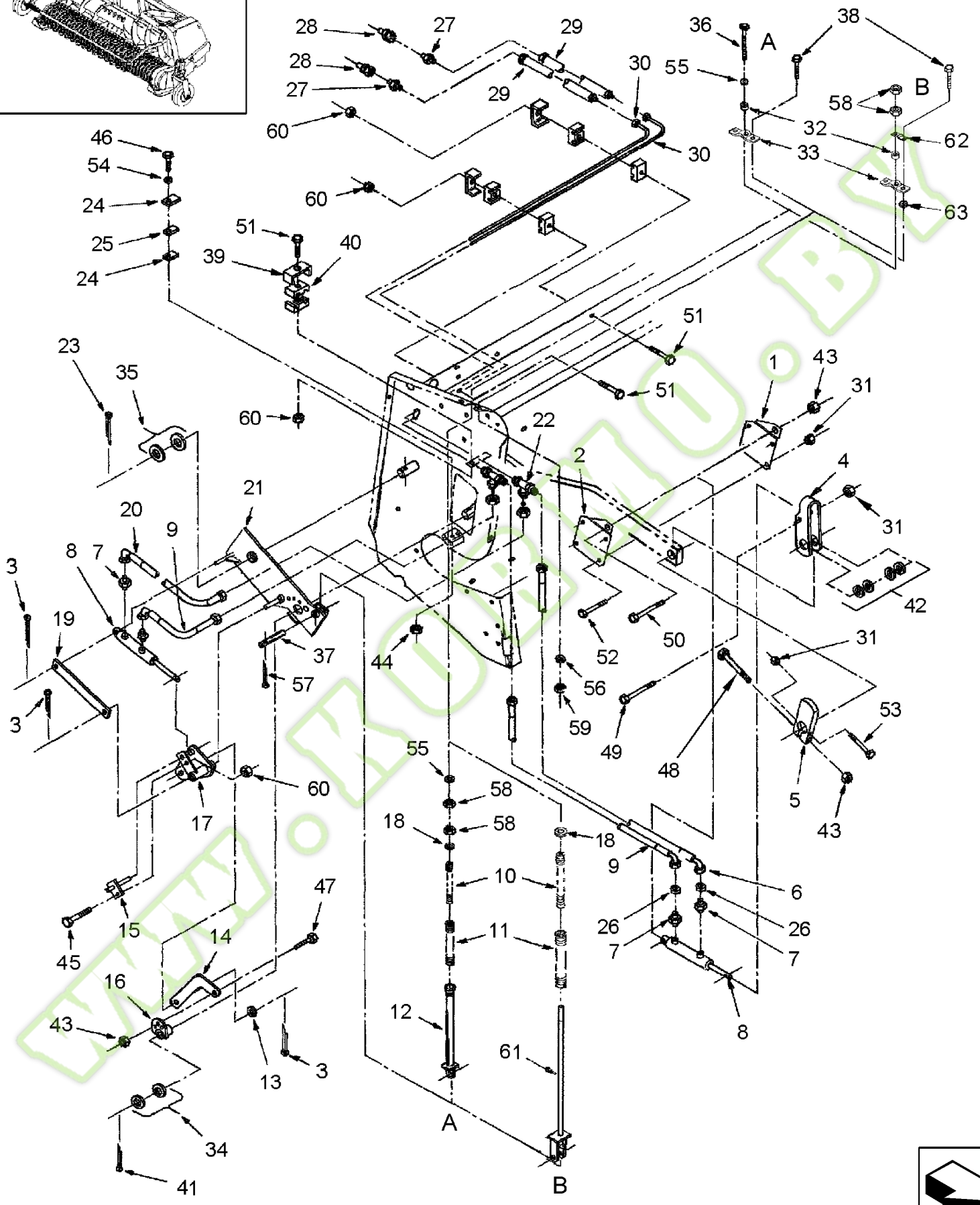
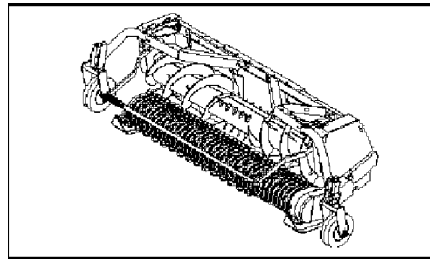
WWW.KORMO.BY



20.06.01 LIGHTING

Ref	Part Number	Qty	Description
1	102043	2	GROMMET, {PP:80102043}
2	675162	2	CLAMP, WIRE, {PP:80675162} 1/4" x 3/8" Bolt
3	86631247	1	BRACKET, Light
4	608852	2	LIGHT, WARNING, {PP:80608852} Amber
5	86552487	1	HARNESS, WIRE, Header
6	100016	2	NUT, {PP:80100016} M10, CI 8, CL 8, M10 x 1.5
7	263117	1	STRAP, SECURING, {PP:80263117} Cable Tie, 3/32" x 11-1/2" L
8	86010402	1	CLAMP, 1/2" x 3/8" Bolt
9	80681	1	WASHER, LOCK, {PP:80080681} 5/16", 5/16"
10	87887	1	SCREW, SELF TAPPING, {PP:80087887} Hex Hd, 5/16" x 3/4", HH, 5/16" x 3/4"

WWW.KORMO.BY



View A represents models prior to PIN 45931. View B represents PIN 45931 and after.

20.07.01 WINDGUARD LIFT & AUGER FINGER REVERSE KITS, HYDRAULICS

Ref	Part Number	Qty	Description
1	86534725	1	PLATE, LH, Component of Wholegoods Kit 716572006, NA
2	86534724	1	PLATE, RH, Component of Wholegoods Kit 716572006, NA
3	130005	3	PIN, SPLIT (COTTER), {PP:80130005} M3.2 x 32, M3.2 x 32, Component of Wholegoods Kit 716572006, NA
4	86575247	1	GUIDE, , Component of Wholegoods Kit 716572006, NA
5	9820373	1	PLATE, {PP:89820373} Flat, Component of Wholegoods Kit 716572006, NA
6	86547556	1	HOSE, , Component of Wholegoods Kit 716572006, NA
7	9513082	AR	CONNECTOR, HYD., , Component of Wholegoods Kit 716572006, NA , Component of Wholegoods Kit 716573006, EU
8	86517716	2	HYDRAULIC CYLINDER, EU Qty 1, Component of Wholegoods Kit 716572006, NA , Component of Wholegoods Kit 716573006, EU
9	86547555	2	HOSE, EU Qty 1, Component of Wholegoods Kit 716572006, NA , Component of Wholegoods Kit 716573006, EU
10	86977155	1	SPRING, Compression, 366W NA & 346W, 356W, 366W EU
11	86977154	1	SPRING, Compression, 366W NA & 346W, 356W, 366W EU
12	86631234	1	TUBE, 366W NA, View A, Prior to PIN 45931
13	262279	1	WASHER, {PP:80262279} , Component of Wholegoods Kit 716572006, NA , Component of Wholegoods Kit 716573006, EU
14	86517320	1	ROD, , Component of Wholegoods Kit 716572006, NA , Component of Wholegoods Kit 716573006, EU
15	86517636	1	PIN, Position, Component of Wholegoods Kit 716572006, NA , Component of Wholegoods Kit 716573006, EU
16	86977181	1	HUB, , Component of Wholegoods Kit 716572006, NA , Component of Wholegoods Kit 716573006, EU
17	86517718	1	HUB, , Component of Wholegoods Kit 716572006, NA , Component of Wholegoods Kit 716573006, EU
18	86631587	3	WASHER, 5/8", 366W NA & 346W, 356W, 366W EU
19	86517638	1	BRACKET, Position, Component of Wholegoods Kit 716572006, NA , Component of Wholegoods Kit 716573006, EU
20	86547554	1	HOSE, , Component of Wholegoods Kit 716572006, NA , Component of Wholegoods Kit 716573006, EU
21	86977180	1	PLATE, , Component of Wholegoods Kit 716572006, NA , Component of Wholegoods Kit 716573006, EU
22	379430	2	CONNECTION, 3 WAY, {PP:80379430} , Component of Wholegoods Kit 716572006, NA
23	9515820	1	PIN, SPLIT (COTTER), M6.3 x 40, , Component of Wholegoods Kit 716572006, NA , Component of Wholegoods Kit 716573006, EU
24	86633849	AR	SPACER, Tab, 366W NA & 346W, 356W, 366W EU
25	268027	1	PAD, {PP:80268027} 366W NA & 346W, 356W, 366W EU
26	350655	2	ORIFICE, {PP:80350655} Plate, Component of Wholegoods Kit 716572006, NA
27	433242	2	CONNECTOR, HYD., {PP:80433242} , Component of Wholegoods Kit 716572006, NA
28	86544945	2	COUPLING, QUICK, MALE, Male, Component of Wholegoods Kit 716572006, NA
29	424525	2	HOSE, FLEXIBLE, {PP:80424525} , Component of Wholegoods Kit 716572006, NA
30	86547576	2	TUBE, Models 346W and 356W only, Component of Wholegoods Kit 716572006, NA
30	86547541	2	TUBE, Model 366W only, Component of Wholegoods Kit 716573006, EU
31	86629542	3	NUT, M8 x 1.25", CI 8, Lock, M8 x 1.25

View A represents models prior to PIN 45931. View B represents PIN 45931 and after.

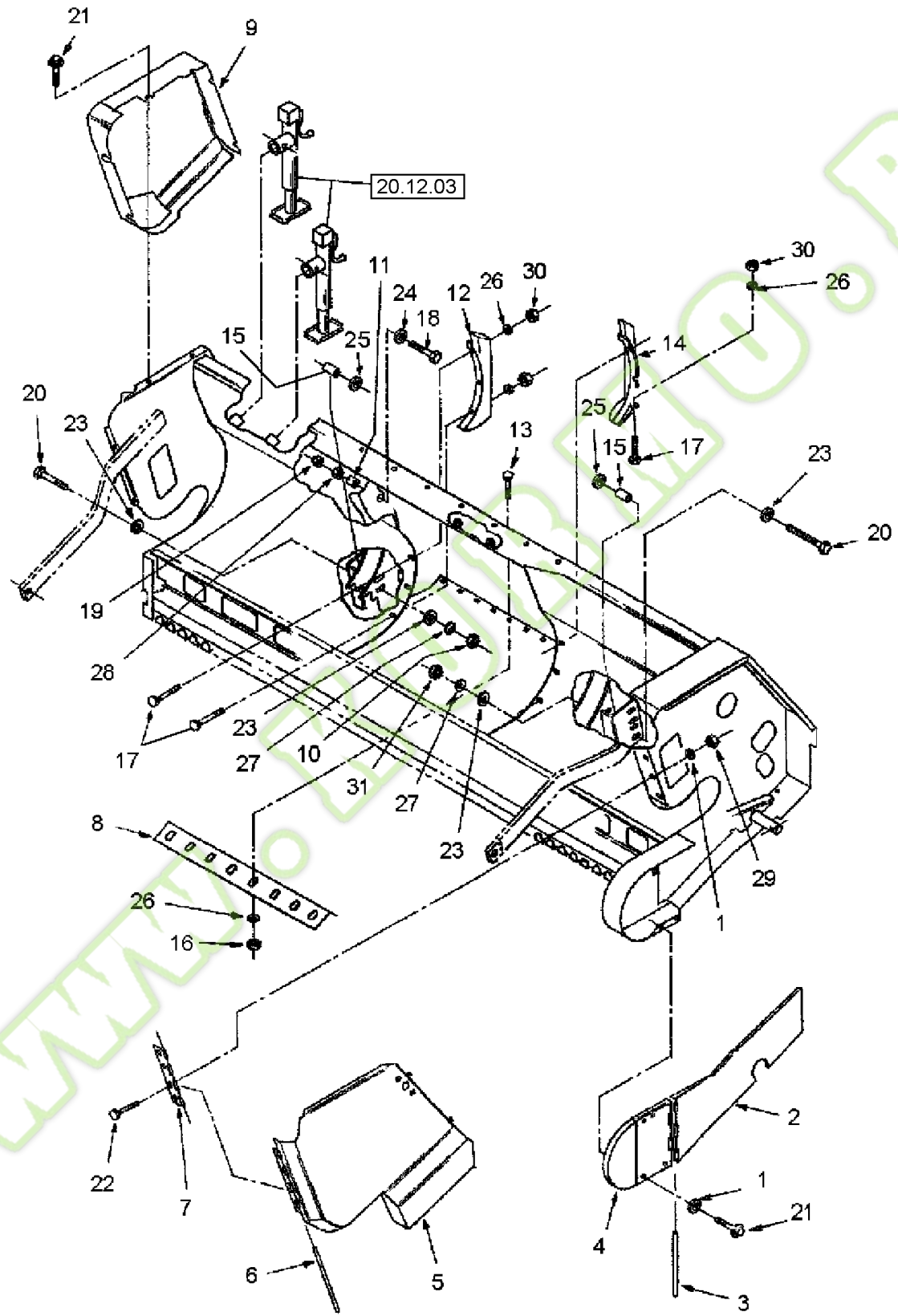
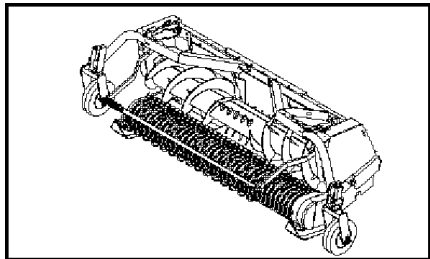
366W SP FORAGE PICK-UP HEAD (1/03-)

20.07.01 WINDGUARD LIFT & AUGER FINGER REVERSE KITS, HYDRAULICS

Ref	Part Number	Qty	Description
32	46710	1	SPACER, {PP:80046710} 366W NA & 346W, 356W, 366W EU
33	86631236	1	PLATE, 366W NA & 346W, 356W, 366W EU
34	263147	AR	WASHER, {PP:80263147} 3/16", Component of Wholegoods Kit 716572006, NA , Component of Wholegoods Kit 716573006, EU
35	50613	AR	WASHER, {PP:80050613} , Component of Wholegoods Kit 716572006, NA , Component of Wholegoods Kit 716573006, EU
36	9822763	1	BOLT, {PP:89822763} Special, 5/8"-11, View A, 366W NA & 346W, 356W, 366W EU
37	86633841	1	PIN, , Component of Wholegoods Kit 716572006, NA , Component of Wholegoods Kit 716573006, EU
38	120113	2	BOLT, {PP:80120113} Hex, M10 x 50, 8.8, Full Thd, Cap, HH, CL 8.8, M10 x 1.5 x 50, 366W NA Only
39	431941	3	SUPPORT, {PP:80431941} , Component of Wholegoods Kit 716572006, NA
40	430357	6	CLAMP, {PP:80430357} , Component of Wholegoods Kit 716572006, NA
41	86013355	1	PIN, SPLIT (COTTER), 0.18" x 1-1/2", Hardened, Component of Wholegoods Kit 716572006, NA , Component of Wholegoods Kit 716573006, EU
42	9800957	4	WASHER, {PP:89800957} Hardened, 1-3/8"
43	100038	3	NUT, LOCK, {PP:80100038} M12 x 1.75, CI 8, CL 8, M12 x 1.75, EU Qty 1
44	100037	1	NUT, {PP:80100037} M10 x 1.5, CI 8, Lock, CL 8, M10 x 1.5, 366W NA & 346W, 356W, 366W EU
45	120100	1	BOLT, {PP:80120100} Hex, M6 x 20, 8.8, Cap, HH, CL 8.8, M6 x 1 x 20, Component of Wholegoods Kit 716572006, NA , Component of Wholegoods Kit 716573006, EU
46	120068	1	SCREW, {PP:80120068} Hex, M10 x 40, 8.8, Full Thd, Cap, HH, CL 8.8, M10 x 1.5 x 40, 366W NA Only
47	9706687	1	SCREW, {PP:89706687} Hex, M12 x 30, 8.8, Cap, HH, CL 8.8, M12 x 1.75 x 30, Component of Wholegoods Kit 716572006, NA , Component of Wholegoods Kit 716573006, EU
48	9706717	1	SCREW, {PP:89706717} Hex, M12 x 70, 8.8, Full Thd, Hex, M12 x 70, 8.8, Full Thd, Component of Wholegoods Kit 716572006, NA
49	379748	1	SCREW, {PP:80379748} Hex, M8 x 80, 10.9, Cap, HH, CL10.9, M8 x 1.25 x 80, Component of Wholegoods Kit 716572006, NA
50	9706693	1	SCREW, {PP:89706693} Hex, M12 x 60, 8.8, Cap, HH, CL 8.8, M12 x 1.75 x 60, Component of Wholegoods Kit 716572006, NA
51	80043118	3	SCREW, Cap, HH, CL 8.8, M6 x 1 x 40, Component of Wholegoods Kit 716572006, NA
52	43129	4	SCREW, {PP:80043129} Hex, M8 x 40, 8.8, Hex, M8 x 40, 8.8, Component of Wholegoods Kit 716572006, NA
53	80120061	1	SCREW, Cap, HH, CL 8.8, M8 x 1.25 x 60, Component of Wholegoods Kit 716572006, NA
54	87016	1	WASHER, {PP:80087016} 3/8", SAE, SAE, 3/8", 366W NA & 346W, 356W, 366W EU
55	87365	2	WASHER, {PP:80087365} 5/8", SAE, 5/8", 366W NA & 346W, 356W, 366W EU
56	140045	2	WASHER, LOCK, {PP:80140045} Belleville, M10, Belleville, M10, Component of Wholegoods Kit 716572006, NA , Component of Wholegoods Kit 716573006, EU
57	130011	1	PIN, SPLIT (COTTER), {PP:80130011} M5 x 40, M5 x 40, Component of Wholegoods Kit 716572006, NA , Component of Wholegoods Kit 716573006, EU
58	280374	2	NUT, {PP:80280374} 5/8"-11, G5, G5, 5/8"-11, 366W NA & 346W, 356W, 366W EU
59	100016	2	NUT, {PP:80100016} M10, CI 8, CL 8, M10 x 1.5, Component of Wholegoods Kit 716572006, NA , Component of Wholegoods Kit 716573006, EU
60	353308	4	NUT, {PP:80353308} M6 x 1, CI 8, Prevailing Torque, CL 8, M6 x 1, EU Qty 1, Component of Wholegoods Kit 716572006, NA , Component of Wholegoods Kit 716573006, EU
61	87046739	1	ROD, MOUNTING, 366W NA & 346W, 356W, 366W EU; PIN 45931 and after, View B
62	87050787	1	CLIP, 366W NA & 346W, 356W, 366W EU; PIN 45931 and after, View B
63	678235	1	WASHER, {PP:80678235} 1-1/4" OD x 13/32" ID x 3/16"

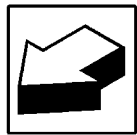
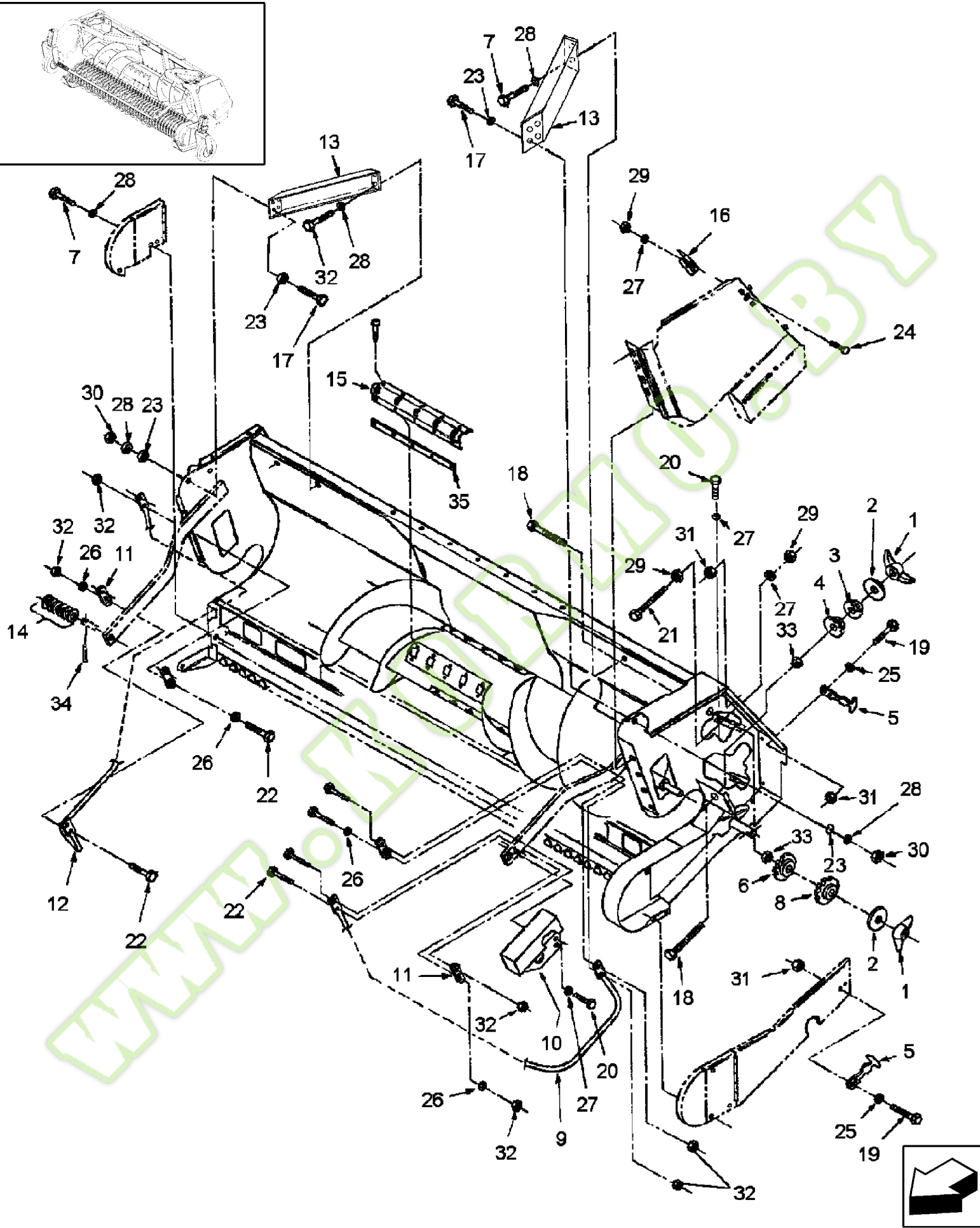
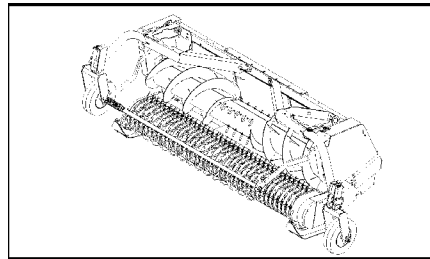
View A represents models prior to PIN 45931. View B represents PIN 45931 and after.



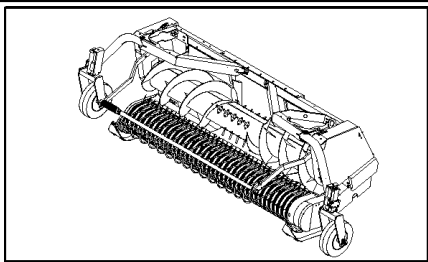


20.08.01 SHIELDING

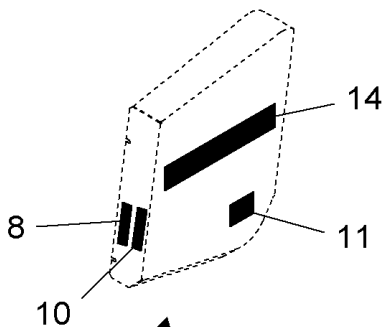
Ref	Part Number	Qty	Description
1	322358	14	WASHER, LOCK, {PP:80322358} Belleville, M8, M8
2	86631443	1	SHIELD,
3	645101	1	PIN, {PP:80645101}
4	86631441	1	SHIELD, LH
5	86533740	1	SHIELD, LH
5	86557369	1	SHIELD, LH, With 2 Warning Decals Attached, NA Only
6	9803073	1	ROD, {PP:89803073}
7	86528870	1	HINGE,
8	86631434	1	PLATE, ADJUSTING,
9	86552299	1	SHIELD, RH
9	86564220	1	SHIELD, RH, With 1 Warning Decal Attached, NA Only
10	100020	2	NUT, {PP:80100020} M16, CI 8, M16, CI 8, 346W & 356W
11	86977137	1	BUSHING, 346W & 356W
12	86631429	1	GUIDE, Crop, R.H.
13	86516317	8	BOLT, 3/8"-16 x 1", G5, Plow, G5, 3/8"-16 x 1"
14	86631424	1	GUIDE, Crop, L.H.
15	86977135	2	BOLT, BANJO, 346W & 356W
16	9628503	8	NUT, {PP:89628503} 3/8"-16, G5, G5, 3/8"-16
17	86512446	6	BOLT, Short NK, M10 x 30, Cl8.8, Full Thd, Short Neck, CL 8.8, M10 x 1.5 x 30
18	280120	1	BOLT, {PP:80280120} Hex, 3/4"-10 x 6", G5, Cap, HH, G5, 3/4"-10 x 6", 346W & 356W
19	280375	1	NUT, LOCK, {PP:80280375} 3/4"-10, GC, GC, 3/4"-10
20	350616	2	SCREW, {PP:80350616} Hex, M16 x 90, 8.8, Cap, HH, CL 8.8, M16 x 2 x 90, 346W & 356W
21	80120104	10	SCREW, Cap, Flg Hd, CL 8.8, M8 x 1.25 x 20
22	86507486	4	BOLT (CARRIAGE), Short NK, M8 x 20, Cl8.8, Full Thd, Carriage, Short Neck, CL8.8, M8 x 1.25 x 20
23	87365	4	WASHER, {PP:80087365} 5/8", SAE, SAE, 5/8", 346W & 356W
24	87381	1	WASHER, {PP:80087381} 3/4", SAE, SAE, 3/4", 346W & 356W
25	80681	4	WASHER, LOCK, {PP:80080681} 5/16", 5/16"
26	140045	14	WASHER, LOCK, {PP:80140045} Belleville, M10, Belleville, M10
27	140048	2	WASHER, LOCK, {PP:80140048} Belleville, M16, Belleville, M16, 346W & 356W
28	84972	1	NUT, {PP:80084972} Jam, 3/4"-10, G2, Jam, G2, 3/4"-10
29	89706690	4	NUT, CL 8, M8 x 1.25
30	100016	6	NUT, {PP:80100016} M10, CI 8, CL 8, M10 x 1.5
31	100020	2	NUT, {PP:80100020} M16, CI 8, M16, CI 8, 346W & 356W



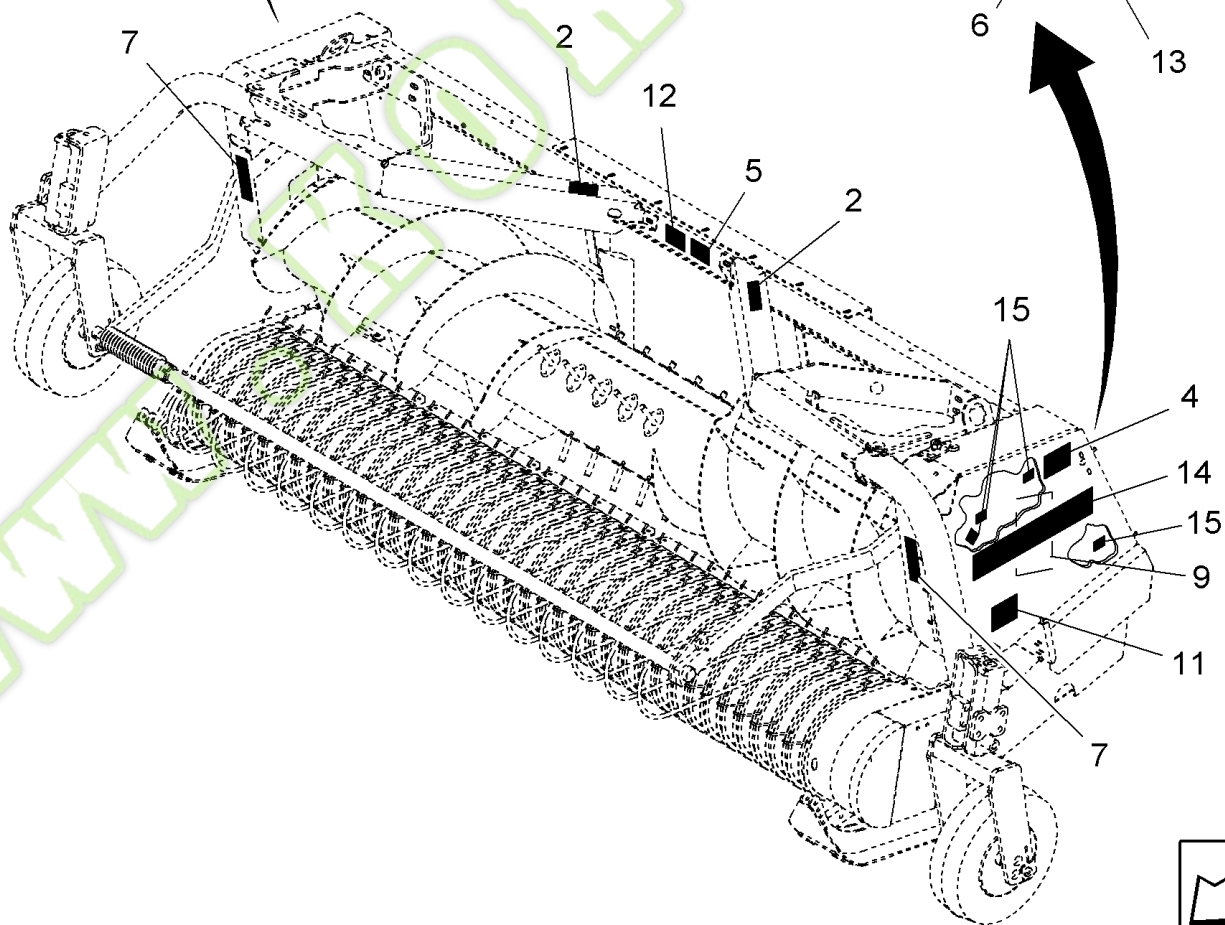
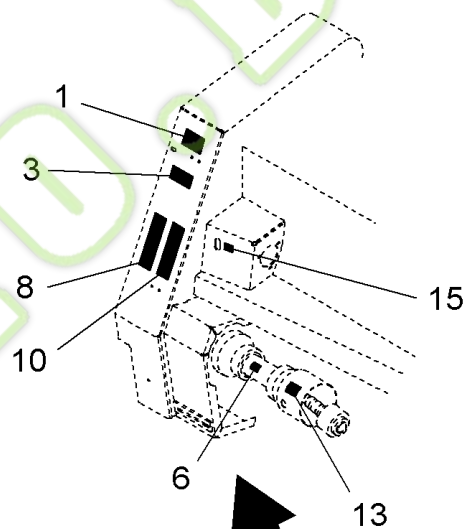
Ref	Part Number	Qty	Description
1	86636511	2	NUT, WING, 3/8"-16
2	80213404	2	SPACER,
3	86837912	1	SPROCKET, 17T, Reel Speed
4	86977187	1	SPROCKET, DRIVEN, 10T, Reel Speed
5	86000448	2	LATCH,
6	86977176	1	SPROCKET, DRIVEN, 21T, Auger Speed
7	9706687	7	SCREW, {PP:89706687} Hex, M12 x 30, 8.8, Cap, HH, CL 8.8, M12 x 1.75 x 30, EU
7	9706687	3	SCREW, {PP:89706687} Hex, M12 x 30, 8.8, Cap, HH, CL 8.8, M12 x 1.75 x 30, NA
8	86977174	1	SPROCKET, DRIVEN, 13T, Auger Speed, Prior to PIN 45699
8	86977172	1	SPROCKET, 17T, Auger Speed, PIN 45699 and after
9	86576414	1	WINDGUARD, LH, EU
10	86548725	1	SHIELD, EU
11	86565392	4	PLATE, Flat, EU
12	86576413	1	WINDGUARD, RH, EU
13	86635645	2	BRACKET, Brace, EU, Shipping Use Only
14	9800957	AR	WASHER, {PP:89800957} Hardened, 1-3/8"
15	86977166	4	STRIPPER, Finger, See Fig 20.16.01
16	84015292	1	LOCK, EU
17	86629541	4	BOLT, Hex, M12 x 40, 8.8, Full Thd, Cap, HH, CL 8.8, M12 x 1.75 x 40, EU
18	280625	2	BOLT, {PP:80280625} HH, Tap, G5, 3/8"-16 x 4-1/2"
19	120100	4	BOLT, {PP:80120100} Hex, M6 x 20, 8.8, Cap, HH, CL 8.8, M6 x 1 x 20
20	410851	2	SCREW, {PP:80410851} Wing, M8 x 1.25 x 20, NA
21	43129	1	SCREW, {PP:80043129} Hex, M8 x 40, 8.8, Hex, M8 x 40, 8.8
22	43130	8	SCREW, {PP:80043130} Hex, M8 x 50, 8.8, Cap, HH, CL 8.8, M8 x 1.25 x 50, EU
23	394630	8	WASHER, {PP:80394630} HT, M12, EU
24	86507486	2	BOLT (CARRIAGE), Short NK, M8 x 20, Cl8.8, Full Thd, Carriage, Short Neck, CL8.8, M8 x 1.25 x 20, EU
25	80701	4	WASHER, {PP:80080701} 1/4", 1/4"
26	80664	4	WASHER, {PP:80080664} 5/16", 5/16", EU
27	322358	5	WASHER, LOCK, {PP:80322358} Belleville, M8, M8
28	140046	8	WASHER, LOCK, {PP:80140046} Belleville, M12, Belleville, M12
29	89706690	4	NUT, CL 8, M8 x 1.25, EU
30	89706685	4	NUT, CL 8, M12 x 1.75, EU
31	353308	4	NUT, {PP:80353308} M6 x 1, Cl 8, Prevailing Torque, CL 8, M6 x 1
32	86629542	8	NUT, M8 x 1.25", Cl 8, Lock, CL 8, M8 x 1.25, EU
33	9628503	2	NUT, {PP:89628503} 3/8"-16, G5, G5, 3/8"-16, EU
35	86977169	2	PLATE, Filler, See Fig 20.16.01
34	88182	1	PIN, SPLIT (COTTER), {PP:80088182} 1/4" x 2", 1/4" x 2", 346W & 356W NA Only



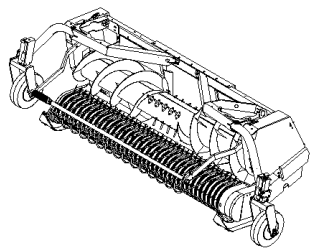
VIEW ROTATED 180°
FOR CLARITY



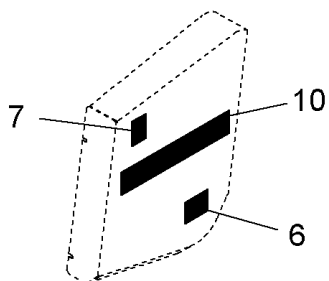
VIEW ROTATED 180°
FOR CLARITY



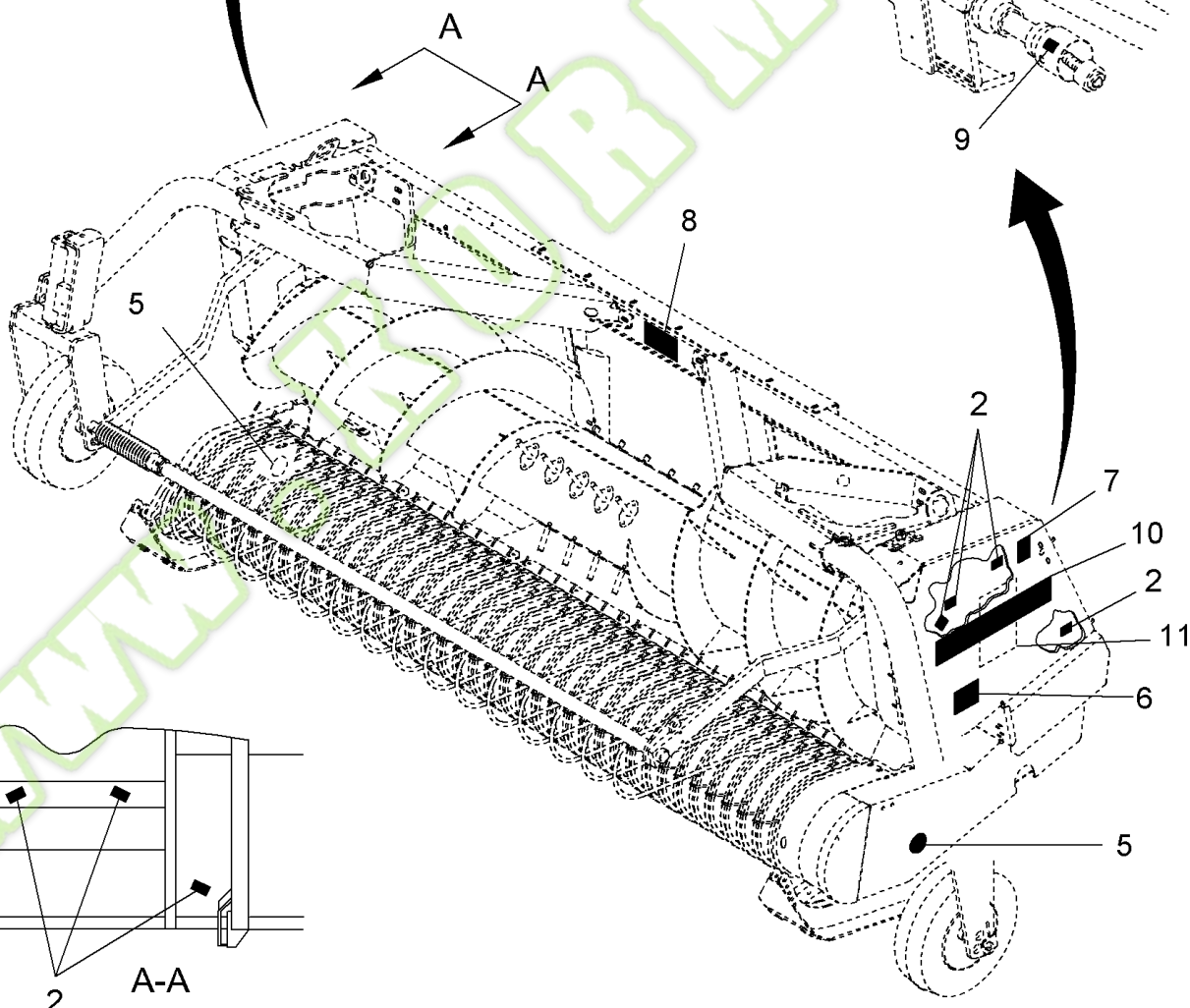
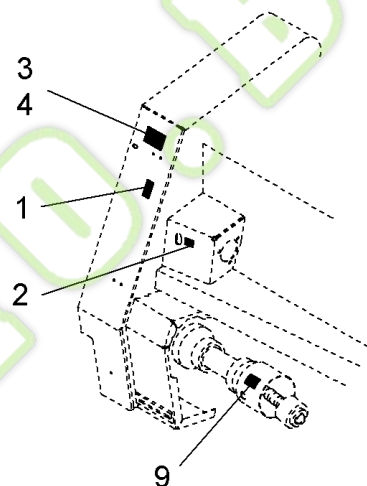
Ref	Part Number	Qty	Description
1	718861	1	DECAL, {PP:80718861} Attention
2	86611825	2	DECAL, Warning
2	86614084	2	DECAL, Caution, French
3	86598785	2	SCREW, SELF TAPPING, Rd Hd, Stainless Steel, #4 x 1/4"
4	86626958	1	DECAL, Warning
4	86626961	1	DECAL, Warning, French
5	9806448	1	DECAL, {PP:89806448} Danger
5	9827728	1	DECAL, {PP:89827728} Danger, French
6	9821933	1	DECAL, {PP:89821933} Danger
6	849483	1	DECAL, {PP:80849483} Danger, French
7	86547782	2	DECAL, Tape, Amber
8	86547781	2	DECAL, Tape, Red
9	87036145	1	DECAL, Sprocket Size
10	86547783	2	DECAL, Tape, Fluorescent
11	9806879	2	DECAL, {PP:89806879} Hand Injury
12	86631200	1	DECAL, Danger
12	86631457	1	DECAL, Danger, French
13	849471	1	DECAL, {PP:80849471} Danger
13	849482	1	DECAL, {PP:80849482} DANGER, Rotating Driveline - French
14	87024222	1	DECAL, "New Holland", LH
14	87024223	1	DECAL, "New Holland", RH
15	266578	4	DECAL, {PP:80266578} Lube, 10 HR



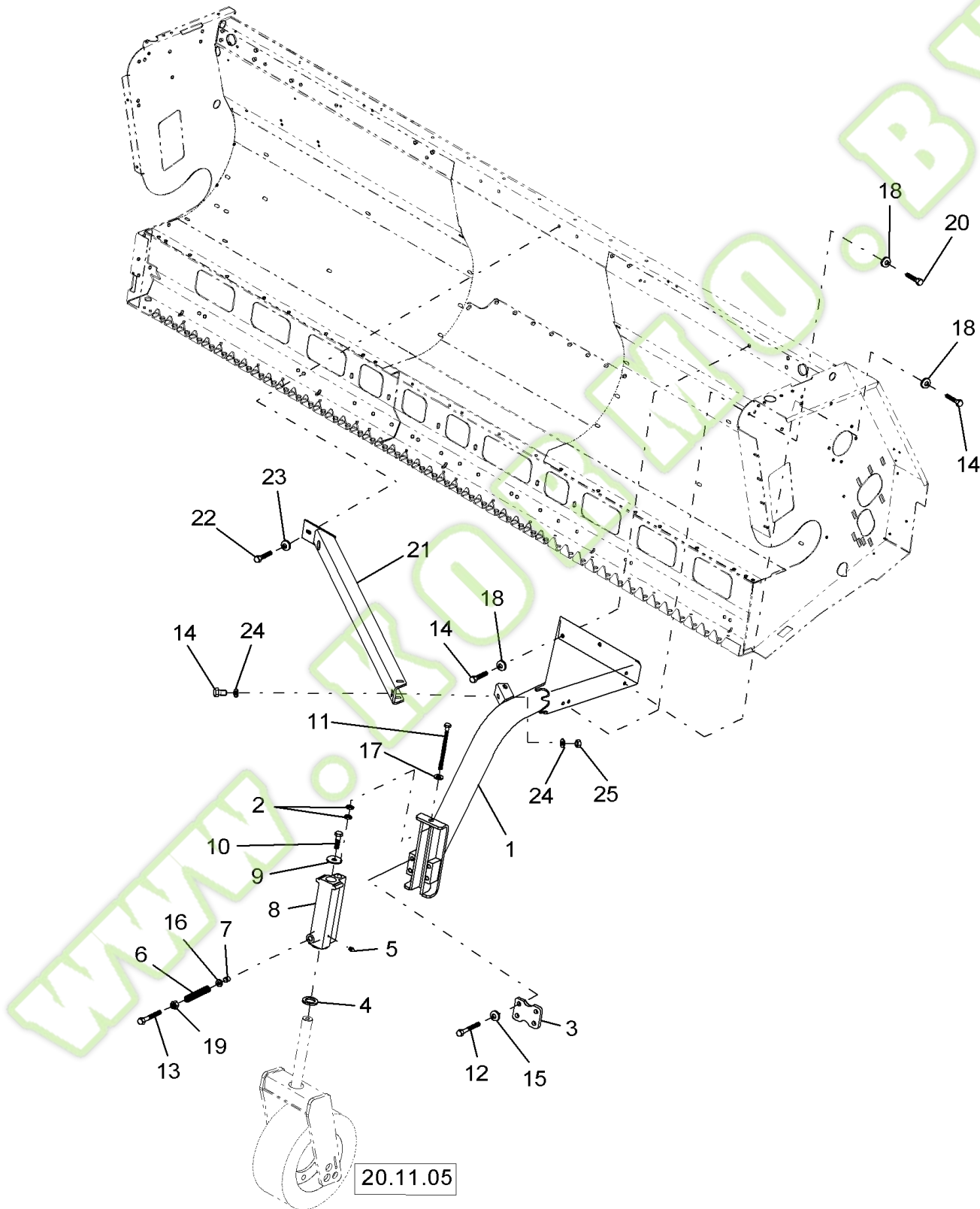
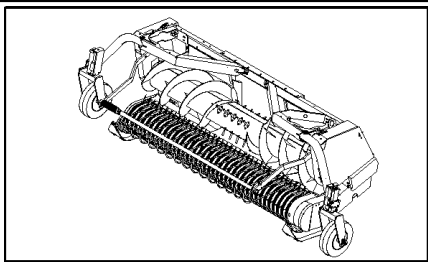
VIEW ROTATED 180°
FOR CLARITY



VIEW ROTATED 180°
FOR CLARITY



Ref	Part Number	Qty	Description
1	84004731	1	DECAL,
2	266578	8	DECAL, {PP:80266578} Lube, 10 HR
3	NS	1	NOT SERVICED, Plate, Model Serial
4	425520	4	RIVET, {PP:80425520} Blind, 4 x 10
5	435895	2	REFLECTOR, LAMP, {PP:80435895} Orange
6	84015360	2	DECAL,
7	84004734	2	DECAL,
8	86587863	1	DECAL, Safety
9	86520062	1	DECAL,
10	87024222	1	DECAL, "New Holland", LH, BPIN 45931
10	84458043	1	DECAL, "New Holland", LH, PIN 45931 and after
10	87024223	1	DECAL, "New Holland", RH, BPIN 45931
10	84458043	1	DECAL, "New Holland", RH, PIN 45931 and after
11	87036145	1	DECAL, Sprocket Size

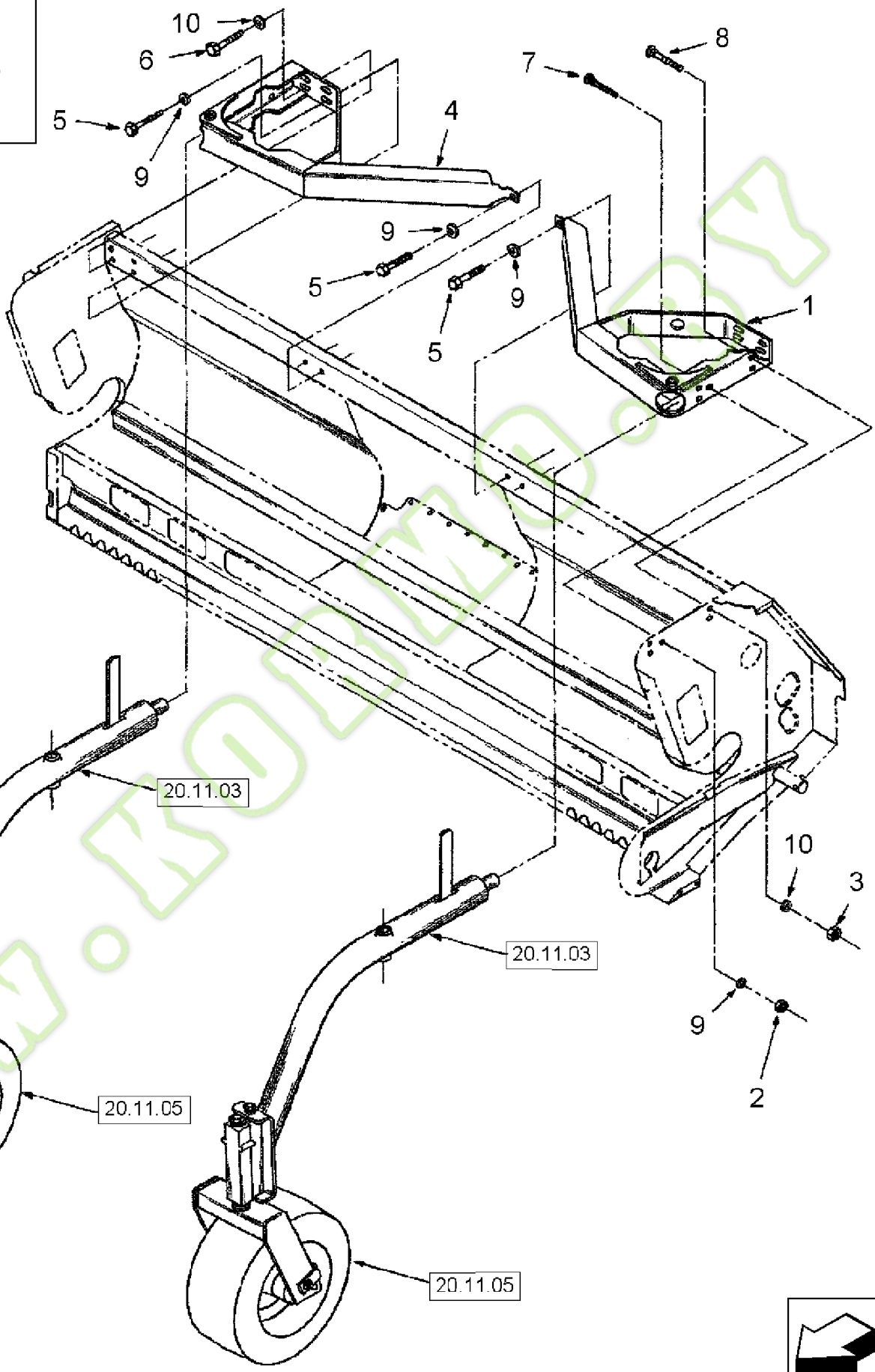
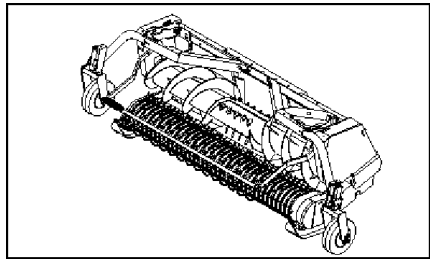


20.11.05

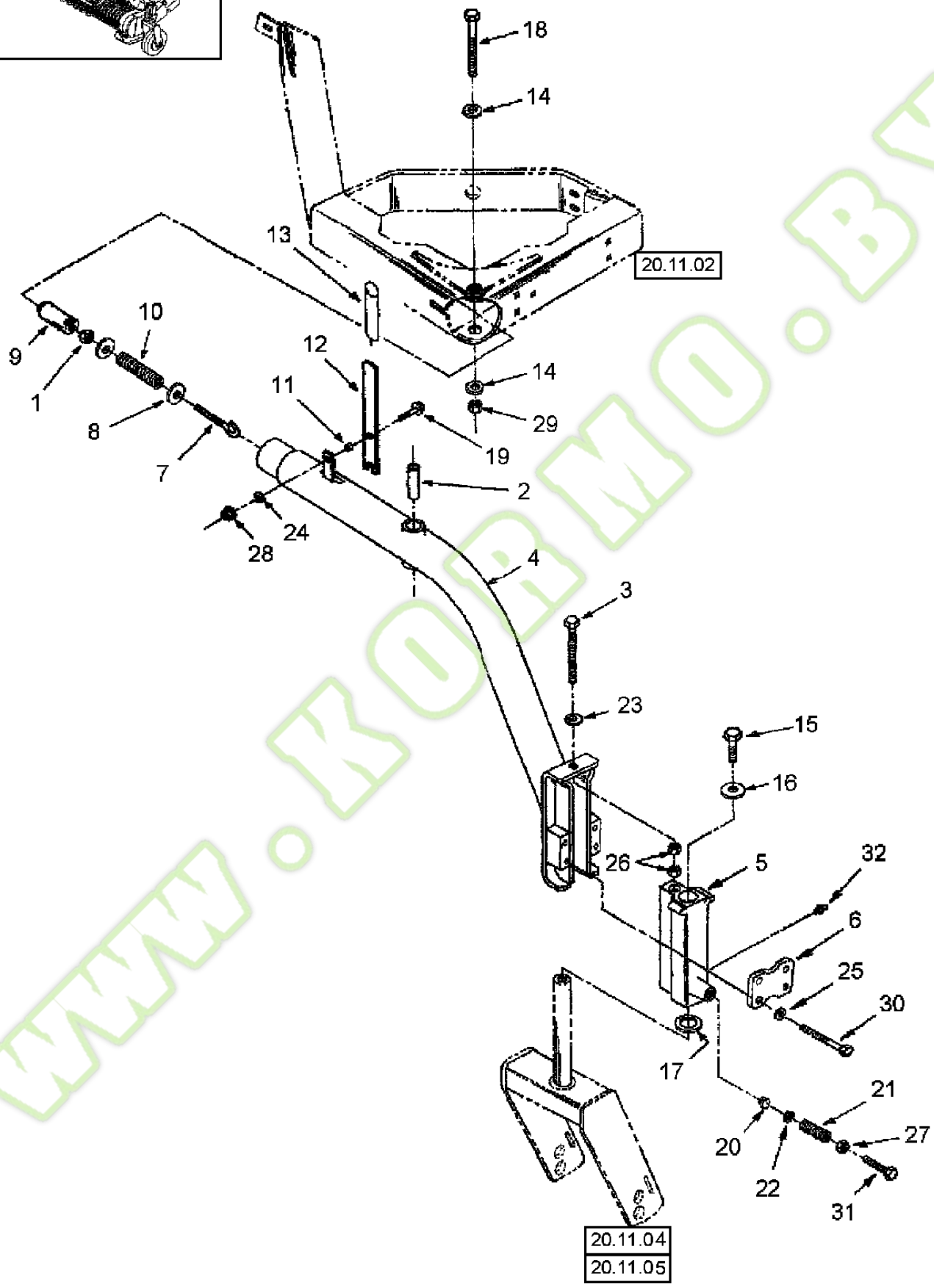
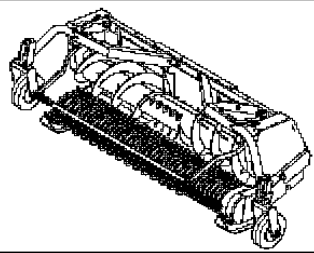


Ref	Part Number	Qty	Description
1	86635632	1	ARM, SUPPORTING, LH
1	86635635	1	ARM, SUPPORTING, RH
2	280374	4	NUT, {PP:80280374} 5/8"-11, G5, G5, 5/8"-11
3	86556101	2	PLATE, RETAINING,
4	233295	2	WASHER, {PP:80233295}
5	87414	2	NIPPLE, LUBE, {PP:80087414} 1/4"-28 x .56" lg, Drive, Straight, 1/4"-28
6	29524	2	SPRING, {PP:80029524}
7	86575461	2	PLUG,
8	86539273	2	SUPPORT, Wheel
9	620766	2	WASHER, {PP:80620766}
10	86629498	2	BOLT, Special
11	9827768	2	SCREW, {PP:89827768} Cap, HH, G8, 5/8"-11 x 7"
12	374889	8	SCREW, {PP:80374889} Hex, M16 x 100, 8.8, Cap, HH, CL 8.8, M16 x 2 x 100
13	9847023	2	SCREW, {PP:89847023} Hex, M20 x 50, 8.8, Cap, HH, CL 8.8, M20 x 2.5 x 50
14	9706687	20	SCREW, {PP:89706687} Hex, M12 x 30, 8.8, Cap, HH, CL 8.8, M12 x 1.75 x 30
15	140048	8	WASHER, LOCK, {PP:80140048} Belleville, M16, Belleville, M16
16	89824259	2	WASHER, M6
17	80299	2	WASHER, {PP:80080299} 5/8", 5/8"
18	140046	12	WASHER, LOCK, {PP:80140046} Belleville, M12, Belleville, M12
19	9706694	2	NUT, {PP:89706694} M20, Cl 8, CL 8, M20 x 2.5
20	9706687	4	SCREW, {PP:89706687} Hex, M12 x 30, 8.8, Cap, HH, CL 8.8, M12 x 1.75 x 30
21	86635661	2	CHANNEL,
22	43140	4	BOLT, {PP:80043140} Hex, M10 x 30, 8.8, Cap, HH, CL 8.8, M10 x 1.5 x 30
23	86592700	4	WASHER, M10 x 28 x 4, HT, Heat Treated, M10
24	394630	12	WASHER, {PP:80394630} Heat Treated, M12
25	89706685	6	NUT, CL 8, M12 x 1.75

20.11.02 GAUGE WHEEL SWIVEL SUPPORTS



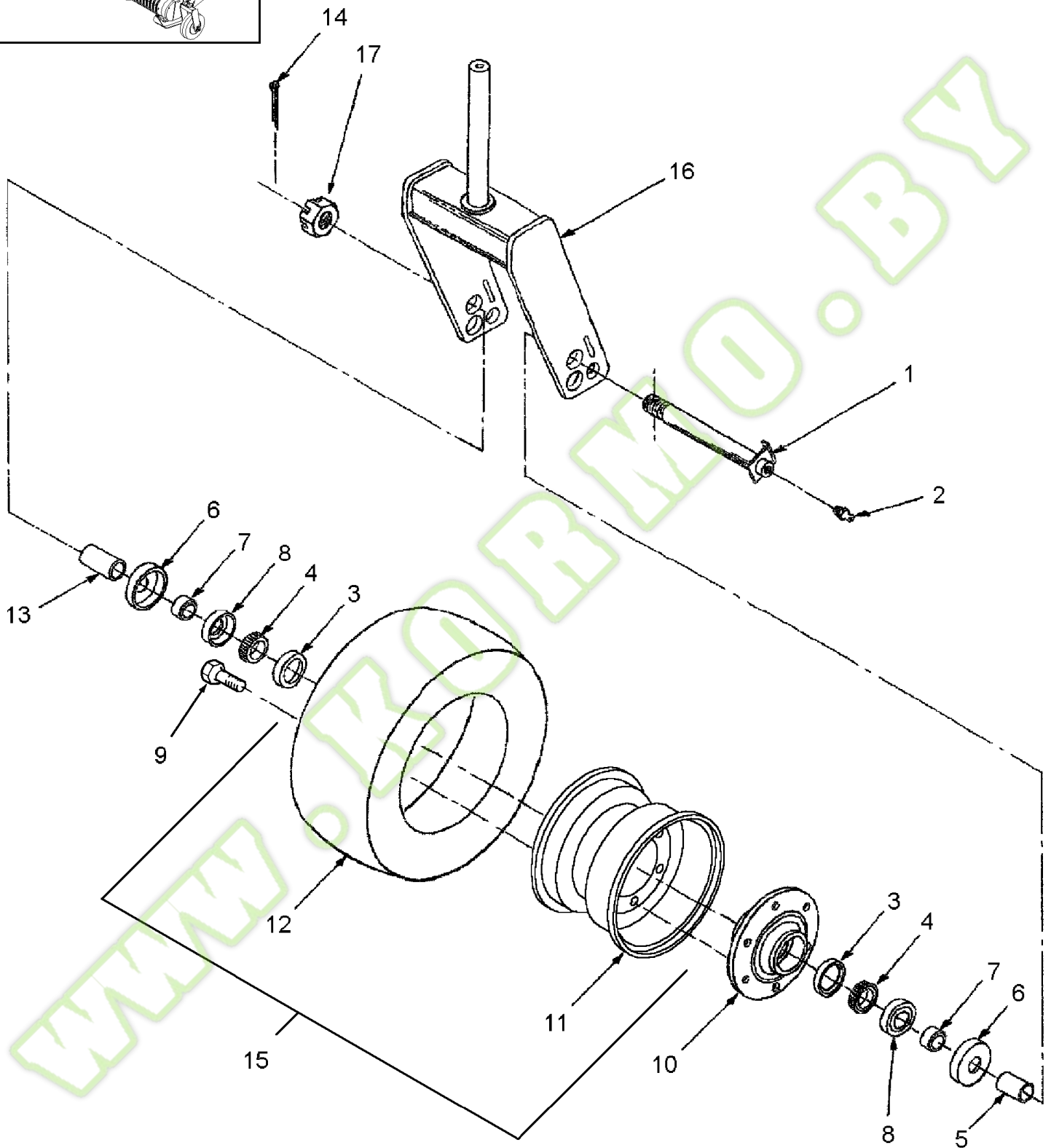
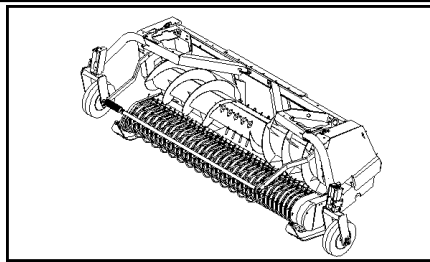
Ref	Part Number	Qty	Description
1	86631713	1	SUPPORT, L.H., Yellow
1	87036135	1	SUPPORT, L.H., CNH Gray, EU
2	100016	2	NUT, {PP:80100016} M10, Cl 8, CL 8, M10 x 1.5
3	89706685	6	NUT, CL 8, M12 x 1.75
4	86631715	1	SUPPORT, R.H., Yellow
4	87036136	1	SUPPORT, R.H., CNH Gray, EU
5	43140	8	BOLT, {PP:80043140} Hex, M10 x 30, 8.8, Cap, HH, CL 8.8, M10 x 1.5 x 30
5	9706704	8	BOLT, {PP:89706704} Hex, M10 x 35, 8.8, Full Thd, Cap, HH, CL 8.8, M10 x 1.5 x 35
6	9706687	4	SCREW, {PP:89706687} Hex, M12 x 30, 8.8, Cap, HH, CL 8.8, M12 x 1.75 x 30
6	300389	4	SCREW, {PP:80300389} Hex, M12 x 35, 8.8, Full Thd, Cap, HH, CL 8.8, M12 x 1.75 x 35
7	86512446	2	BOLT, Short NK, M10 x 30, Cl8.8, Full Thd, Short Neck, CL 8.8, M10 x 1.5 x 30
8	120044	6	BOLT, {PP:80120044} Short NK, M12 x 30, Cl8.8, Full Thd, Carriage, Short Neck, CL 8.8, M12 x 1.75 x 30
9	140045	10	WASHER, LOCK, {PP:80140045} Belleville, M10, Belleville, M10
10	140046	10	WASHER, LOCK, {PP:80140046} Belleville, M12, Belleville, M12



366W SP FORAGE PICK-UP HEAD (1/03-)

20.11.03 GAUGE WHEEL, SWIVEL, ARM

Ref	Part Number	Qty	Description
1	9628503	1	NUT, {PP:89628503} 3/8"-16, G5, G5, 3/8"-16
2	86547798	1	SPACER,
3	9827768	1	SCREW, {PP:89827768} Cap, HH, G8, 5/8"-11 x 7"
4	86547793	1	ARM, SUPPORTING,
5	86539273	1	SUPPORT, Wheel
6	86556101	1	PLATE, RETAINING,
7	631201	1	EYEBOLT, {PP:80631201} 3/8"-16 x 5-1/2"
8	378244	2	WASHER, LOCK, {PP:80378244} M10
9	86545234	1	SHAFT,
10	86635014	1	SPRING, Compression
11	133095	1	SPACER, {PP:80133095}
12	9624163	1	HANDLE, {PP:89624163}
13	185350	1	HANDLE GRIP, {PP:80185350}
14	696664	2	WASHER, {PP:80696664}
15	86629498	1	BOLT, Special
16	620766	1	WASHER, {PP:80620766}
17	233295	1	WASHER, {PP:80233295}
18	9846394	1	BOLT, {PP:89846394} Hex, 3/4"-10 x 7", G8, Cap, HH, G8, 3/4"-10 x 7"
19	9804262	1	SCREW, {PP:89804262} Hex Flg, M10 x 30, 8.8, Cap, Flg Hd, CL 8.8, M10 x 1.5 x 30
20	86575461	1	PLUG,
21	29524	1	SPRING, {PP:80029524}
22	89824259	1	WASHER, M6
23	80299	1	WASHER, {PP:80080299} 5/8", 5/8"
24	140045	1	WASHER, LOCK, {PP:80140045} Belleville, M10, Belleville, M10
25	140048	4	WASHER, LOCK, {PP:80140048} Belleville, M16, Belleville, M16
26	280374	1	NUT, {PP:80280374} 5/8"-11, G5, G5, 5/8"-11
27	9706694	1	NUT, {PP:89706694} M20, CI 8, CL 8, M20 x 2.5
28	9804278	1	NUT, {PP:89804278} M10 x 1.5, Flg, CI 8, Flg, CL 8, M10 x 1.5
29	280375	1	NUT, LOCK, {PP:80280375} 3/4"-10, GC, GC, 3/4"-10
30	374889	4	SCREW, {PP:80374889} Hex, M16 x 100, 8.8, Cap, HH, CL 8.8, M16 x 2 x 100
31	9847023	1	SCREW, {PP:89847023} Hex, M20 x 50, 8.8, Cap, HH, CL 8.8, M20 x 2.5 x 50
32	87414	1	NIPPLE, LUBE, {PP:80087414} 1/4"-28 x .56" lg, Drive, Straight, 1/4"-28



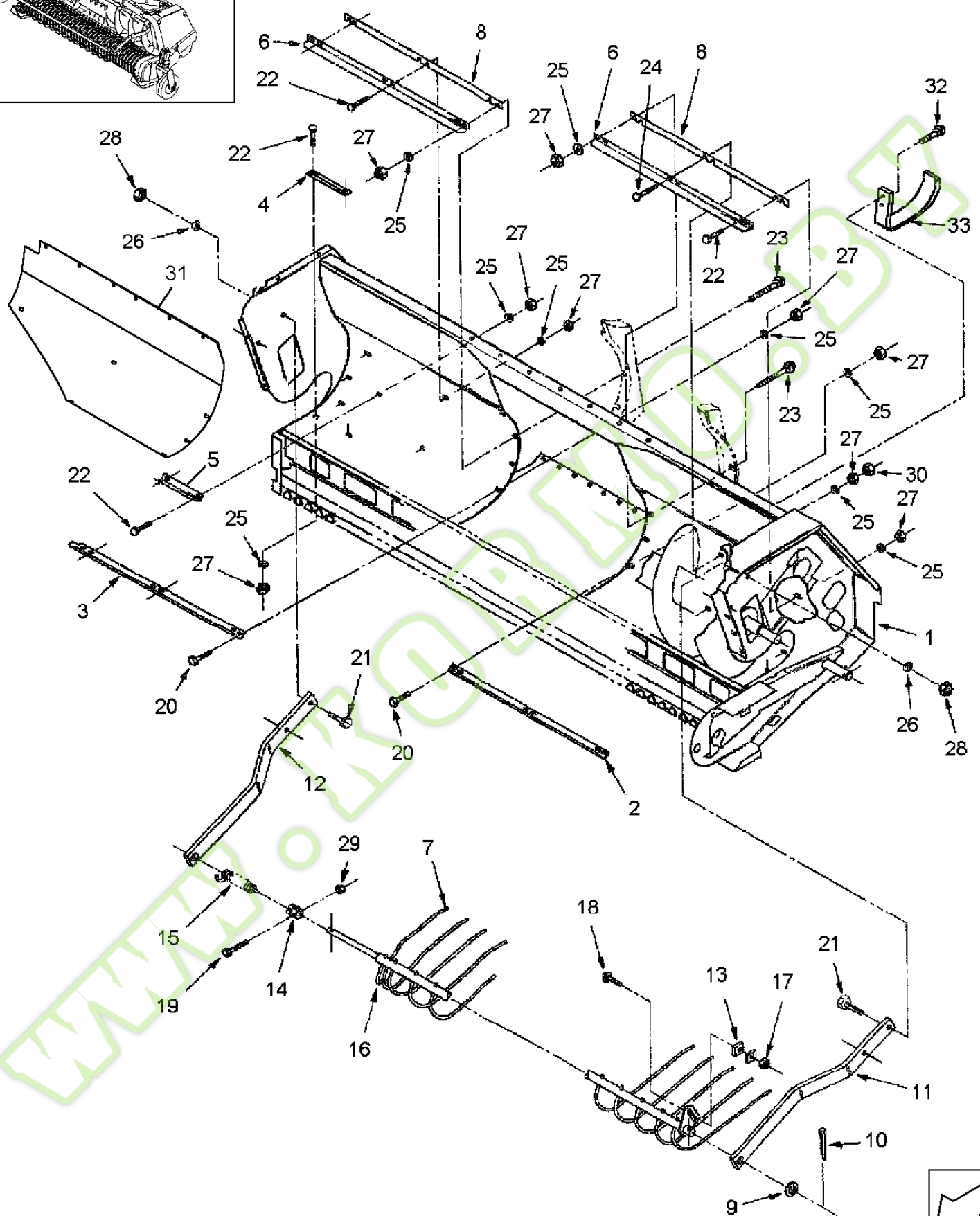
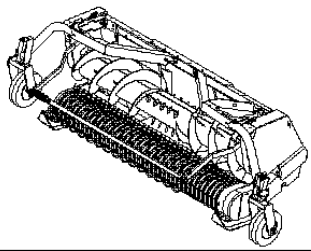
Model 346W shown on this Figure represents the European model. See Figure 20.11.04 for the N, American 346W model.

366W SP FORAGE PICK-UP HEAD (1/03-)

20.11.05 GAUGE WHEEL, N. AMERICA & EUROPE

Ref	Part Number	Qty	Description
1	86550755	1	AXLE, FRONT,
2	80710	1	NIPPLE, LUBE, {PP:80080710} 1/8"-27 x .66 lg, Fitting, 1/8"
3	36726	2	BEARING, CONE, {PP:80036726}
4	36723	2	BEARING, CUP, {PP:80036723}
5	86631680	1	HUB,
6	644469	2	COVER, CAP, {PP:80644469}
7	86568586	2	SPACER,
8	36727	2	SEAL, {PP:80036727} Oil
9	32383	6	BOLT, {PP:80032383} Wheel, G5, 1/2"-20 x 13/16"
10	86550752	1	HUB,
11	86631491	1	WHEEL, White
12	86552985	1	TYRE/TIRE, 20.5 x 8 x 10, 4-ply
12	86552984	1	TUBE, TYRE/TIRE,
13	86627656	1	SPACER,
15	86631489	1	WHEEL, W/ Tire & Tube, White
16	86537232	1	SUPPORT,
17	86528704	1	NUT, 1 1/4"-12, Slotted, G2, 1-1/4"-12
14	87400	1	PIN, SPLIT (COTTER), {PP:80087400} 3/16" x 2", 3/16" x 2"

Model 346W shown on this Figure represents the European model. See Figure 20.11.04 for the N, American 346W model.



366W SP FORAGE PICK-UP HEAD (1/03-)

20.12.01 MAIN FRAME, FLOORS, WINDGUARD

Ref	Part Number	Qty	Description
1	86631366	1	FRAME, Main, 346W
1	86977323	1	FRAME, Main, 356W
1	86837952	1	FRAME, Main, 366W
2	86631368	1	ANGLE, LH, 346W
2	86977309	1	ANGLE, LH, 356W
2	86977344	1	ANGLE, LH, 366W
3	86631370	1	ANGLE BAR, RH, 346W
3	86977300	1	ANGLE, RH, 356W
3	86977348	1	ANGLE, RH, 366W
4	86631376	1	ANGLE,
5	86631377	1	ANGLE,
6	86631379	2	ANGLE, 346W
6	86977306	2	ANGLE, 356W
6	86977346	2	ANGLE, 366W
7	87014815	AR	FINGER, Windguard, Weld-on, (15) 346W, (20) 356W, (29) 366W
8	86631381	AR	SHIM, 346W
8	86977308	AR	SHIM, 356W
8	86977343	AR	SHIM, 366W
9	58821	1	WASHER, {PP:80058821}
10	80752	1	PIN, SPLIT (COTTER), {PP:80080752} 1/4" x 2 1/2", 1/4" x 2-1/2"
11	86564216	1	ARM, SUPPORTING, LH
12	86564217	1	ARM, RH
13	86528850	2	SUPPORT,
14	86528853	1	HOLDER, Spring
15	86624852	1	SPRING,
16	86640065	1	WINDGUARD, Tube, 346W
16	86560741	1	WINDGUARD, Tube, 356W
16	86548647	1	WINDGUARD, Tube, 366W
17	85700693	1	NUT, LOCK, 5/8"-11, GC, GC, 5/8"-11
18	280805	1	BOLT, {PP:80280805} Short NK, 5/8"-11 x 1 3/4", G5, Carriage, G5, 5/8"-11 x 1-3/4"
19	338413	1	SCREW, {PP:80338413} Hex, M6 x 60, 8.8, Cap, HH, CL 8.8, M6 x 1 x 60
20	43138	3	SCREW, {PP:80043138} Hex, M10 x 20, 8.8, Full Thd, Cap, HH, CL 8.8, M10 x 1.5 x 20, 346W & 356W
20	43138	4	SCREW, {PP:80043138} Hex, M10 x 20, 8.8, Full Thd, Cap, HH, CL 8.8, M10 x 1.5 x 20, 366W
21	86629541	4	BOLT, Hex, M12 x 40, 8.8, Full Thd, Cap, HH, CL 8.8, M12 x 1.75 x 40
22	120041	7	BOLT, {PP:80120041} Short NK, M10 x 20, Cl8.8, Full Thd, Short Neck, CL 8.8, M10 x 1.5 x 20, 346W & 356W
22	120041	8	BOLT, {PP:80120041} Short NK, M10 x 20, Cl8.8, Full Thd, Short Neck, CL 8.8, M10 x 1.5 x 20, 366W
23	338949	2	SCREW, {PP:80338949} Short NK, M10 x 25, Cl8.8, Full Thd, Short Neck, CL 8.8, M10 x 1.5 x 25
24	374892	1	BOLT, {PP:80374892} Short NK, M10 x 40, Cl8.8, Full Thd, Carriage, Short Neck, CL 8.8, M10 x 1.5 x 40
25	140045	16	WASHER, LOCK, {PP:80140045} Belleville, M10, Belleville, M10, 346W & 356W
25	140045	20	WASHER, LOCK, {PP:80140045} Belleville, M10, Belleville, M10, 366W
26	140046	4	WASHER, LOCK, {PP:80140046} Belleville, M12, Belleville, M12
27	100016	16	NUT, {PP:80100016} M10, Cl 8, CL 8, M10 x 1.5, 346W & 356W
27	100016	20	NUT, {PP:80100016} M10, Cl 8, CL 8, M10 x 1.5, 366W

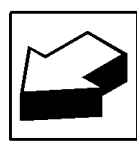
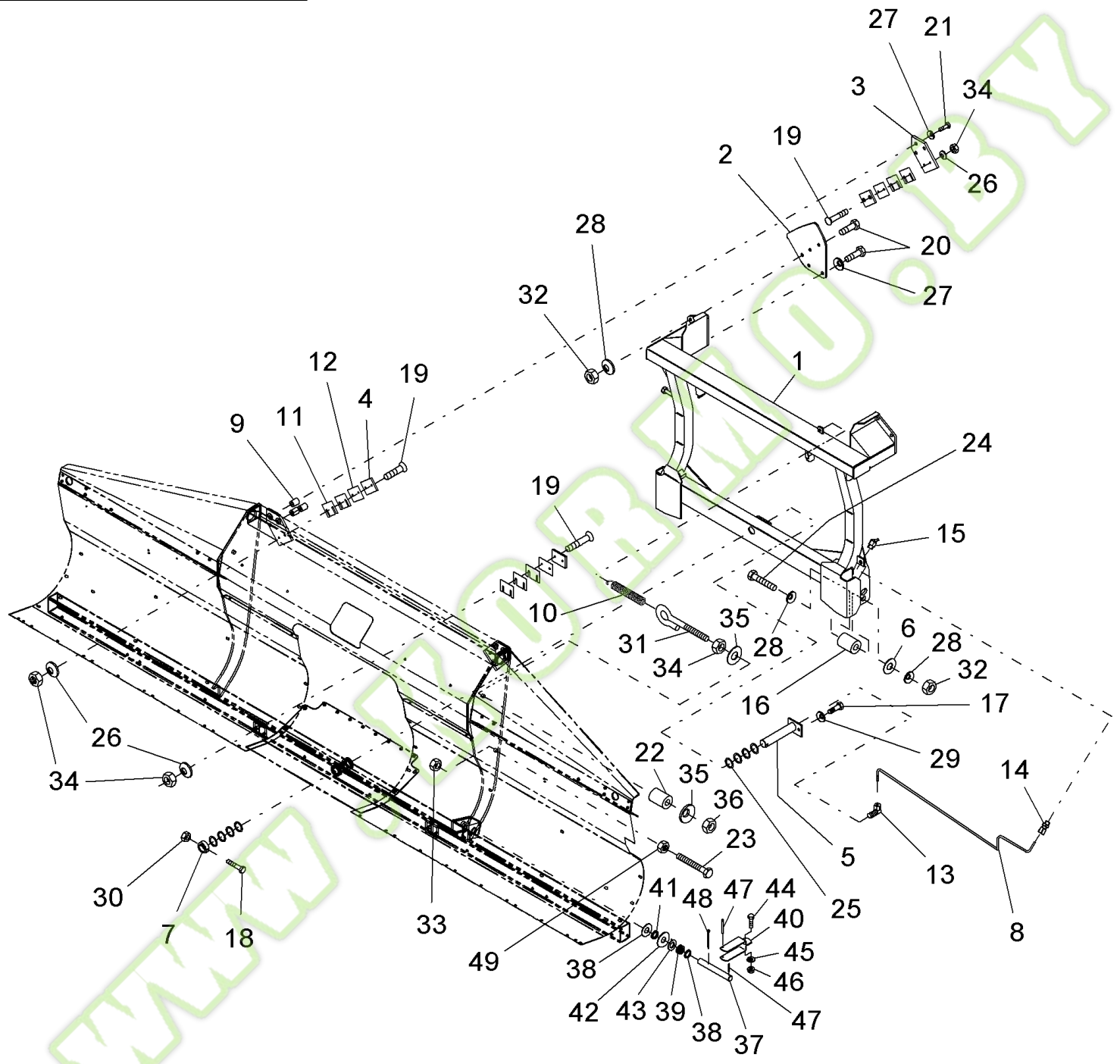
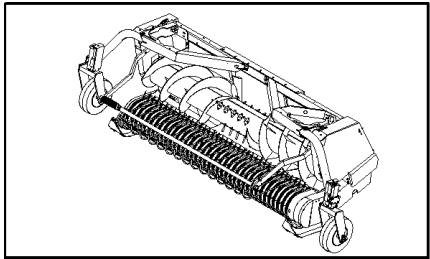
366W SP FORAGE PICK-UP HEAD (1/03-)

20.12.01 MAIN FRAME, FLOORS, WINDGUARD

Ref	Part Number	Qty	Description
28	89706685	4	NUT, CL 8, M12 x 1.75
29	353308	1	NUT, {PP:80353308} M6 x 1, Cl 8, Prevailing Torque, CL 8, M6 x 1
30	100037	1	NUT, {PP:80100037} M10 x 1.5, Cl 8, Lock, CL 8, M10 x 1.5
31	86556549	1	LINER, Floor, RH 346W, NA Only
31	86560139	1	LINER, Floor, RH 356W, NA Only
31	86557514	1	LINER, Floor, RH 366W, NA Only
31	86556548	1	LINER, Floor, LH 346W, NA Only
31	86560138	1	LINER, Floor, LH 356W, NA Only
31	86557513	1	LINER, Floor, LH 366W, NA Only
32	381014	2	SCREW, SELF TAPPING, {PP:80381014} M8 x 16
33	87013051	1	SUPPORT,

WWW.KORMO.BY

20.12.02 MOUNTING ADAPTER



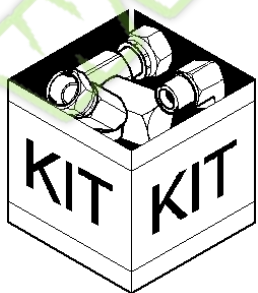
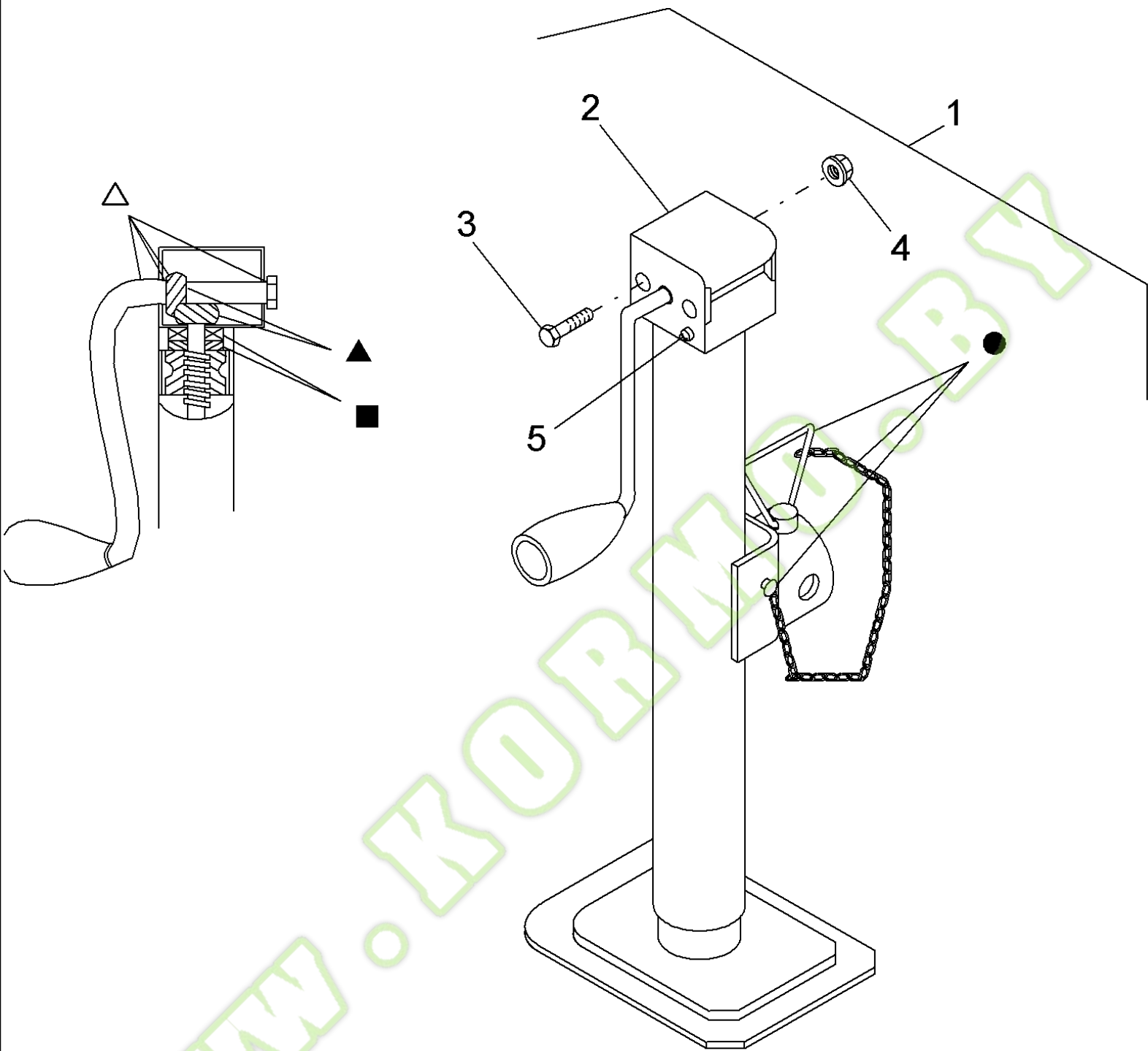
366W SP FORAGE PICK-UP HEAD (1/03-)

20.12.02 MOUNTING ADAPTER

Ref	Part Number	Qty	Description
1	86977351	1	ANGLE,
2	86977353	2	PLATE,
3	86977350	2	PLATE,
4	86537263	6	SLIDE,
5	86533875	1	SHAFT,
6	87365	4	WASHER, {PP:80087365} 5/8", SAE, SAE, 5/8"
7	86533876	1	CLIP, HOSE,
8	86541330	1	TUBE, RIGID,
9	86977339	6	HUB,
10	86977338	1	SPRING, Extension
11	86539085	24	SHIM,
12	86568115	6	SHIM,
13	48564	1	ELBOW, {PP:80048564} 90°, Includes: 13362 Sleeve & 13367 Nut
14	11787	1	CONNECTOR, HYD., {PP:80011787} Includes: 13362 Sleeve & 13367 Nut
15	80280397	1	NIPPLE, LUBE,
16	86977135	2	BOLT, BANJO,
17	9706687	1	SCREW, {PP:89706687} Hex, M12 x 30, 8.8, Cap, HH, CL 8.8, M12 x 1.75 x 30
18	43133	1	SCREW, {PP:80043133} Hex, M8 x 80, 8.8, Cap, HH, CL 8.8, M8 x 1.25 x 80
19	87846	12	SCREW, {PP:80087846} Hex Soc Flat Hd, 3/8"-24 x 1 3/4", Cap, HS, Flat Hd, 3/8"-24 x 1-3/4"
20	120090	10	SCREW, {PP:80120090} Hex, M16 x 50, 8.8, Hex, M16 x 50, 8.8
21	374889	6	SCREW, {PP:80374889} Hex, M16 x 100, 8.8, Cap, HH, CL 8.8, M16 x 2 x 100
22	787224	1	SPACER, {PP:80787224} Heat-treated
23	88043	1	BOLT, {PP:80088043} Hex, 1/2"-13 x 3 1/4", G5, Cap, HH, G5, 1/2"-13 x 3-1/4"
24	120093	2	SCREW, {PP:80120093} Hex, M16 x 80, 8.8, Hex, M16 x 80, 8.8
25	26224	8AR	WASHER, {PP:80026224}
26	140045	12	WASHER, LOCK, {PP:80140045} Belleville, M10, Belleville, M10
27	781316	10	WASHER, {PP:80781316}
28	140048	8	WASHER, LOCK, {PP:80140048} Belleville, M16, Belleville, M16
29	140046	1	WASHER, LOCK, {PP:80140046} Belleville, M12, Belleville, M12
30	86629542	1	NUT, M8 x 1.25", Cl 8, Lock, CL 8, M8 x 1.25
31	692901	1	EYEBOLT, {PP:80692901} G2, 1/2"-13 x 10-3/8"
32	100020	8	NUT, {PP:80100020} M16, Cl 8, M16, Cl 8
33	280431	2	NUT, {PP:80280431} 1/2"-13, G5, G5, 1/2"-13
34	9628503	13	NUT, {PP:89628503} 3/8"-16, G5, G5, 3/8"-16
35	695335	2	WASHER, {PP:80695335}
36	280431	1	NUT, {PP:80280431} 1/2"-13, G5, G5, 1/2"-13
37	86627559	1	PIN, W/ 1/4" Holes
38	142656	2	WASHER, THRUST, {PP:80142656} 1-1/4"
39	35324	1	SPRING, {PP:80035324}
40	690605	2	HANDLE, {PP:80690605}
41	48176	1	SPRING, {PP:80048176} Clutch
42	696508	1	WASHER, {PP:80696508}
43	86618985	1	ROD,
44	86521551	1	BOLT, Hex Flg, 5/16"-18 x 1/2", G5, Full Thd, Cap, Flg Hd, G5, 5/16"-18 x 1/2"
45	322358	1	WASHER, LOCK, {PP:80322358} Belleville, M8, M8

Ref	Part Number	Qty	Description
46	86521605	1	NUT, Flg, 5/16"-18, G5, Flg, G5, 5/16"-18
47	87343	2	PIN, {PP:80087343} 1/4" x 1 3/4", Slotted, 1/4" x 1 3/4", Slotted
48	87394	2	PIN, SPLIT (COTTER), {PP:80087394} 1/8" x 1/2", 1/8" x 1/2"
49	9638005	1	NUT, {PP:89638005} Jam, 1/2"-13, G2, Jam, G2, 1/2"-13

WWW.KORMO.BY



- 6 = ●
- 7 = ▲
- 8 = ■
- 9 = △

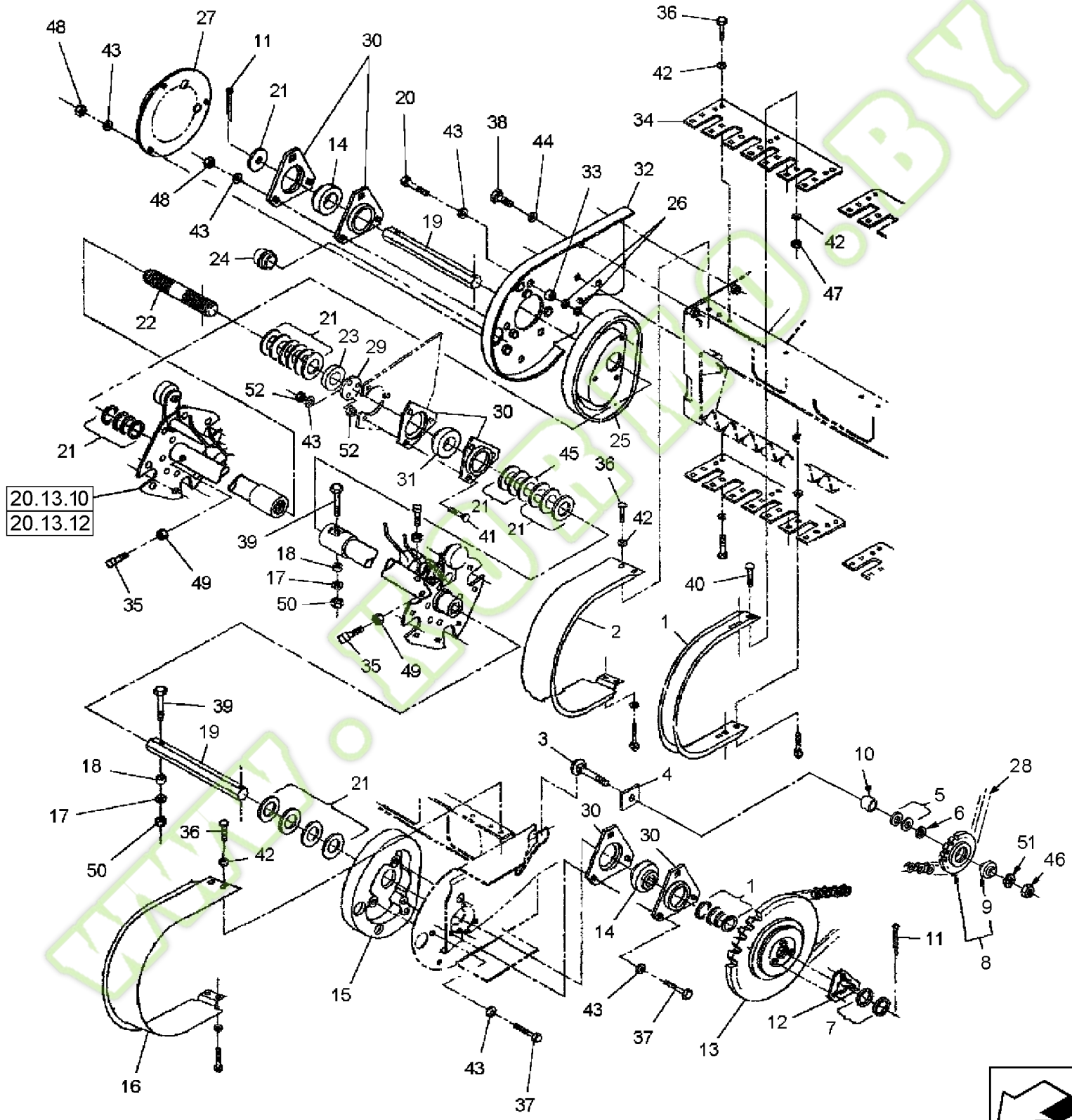
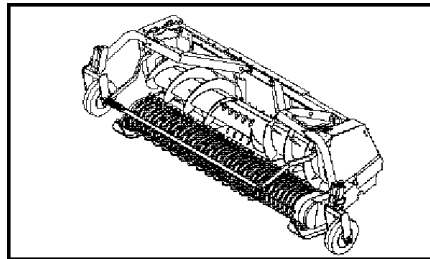
366W SP FORAGE PICK-UP HEAD (1/03-)

20.12.03 JACK

Ref	Part Number	Qty	Description
1	86729155	1	JACK,
2	86590816	1	COVER, Top
3	280961	1	BOLT, {PP:80280961} Short NK, 1/4"-20 x 3", G5, Carriage, G5, 1/4"-20 x 3"
4	7770	1	NUT, {PP:80007770} 1/4"-20, G5, G5, 1/4"-20
5	86504104	1	NIPPLE, LUBE, 1/4" x .56" lg, Drive,
6	86729152	1	KIT, Pin & Chain
7	86590811	1	KIT, Jack Gears
8	86592468	1	KIT, Bearings
9	86590812	1	KIT, Crank

WWW.KORMO.BY

20.13.03 PICK-UP REEL



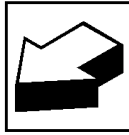
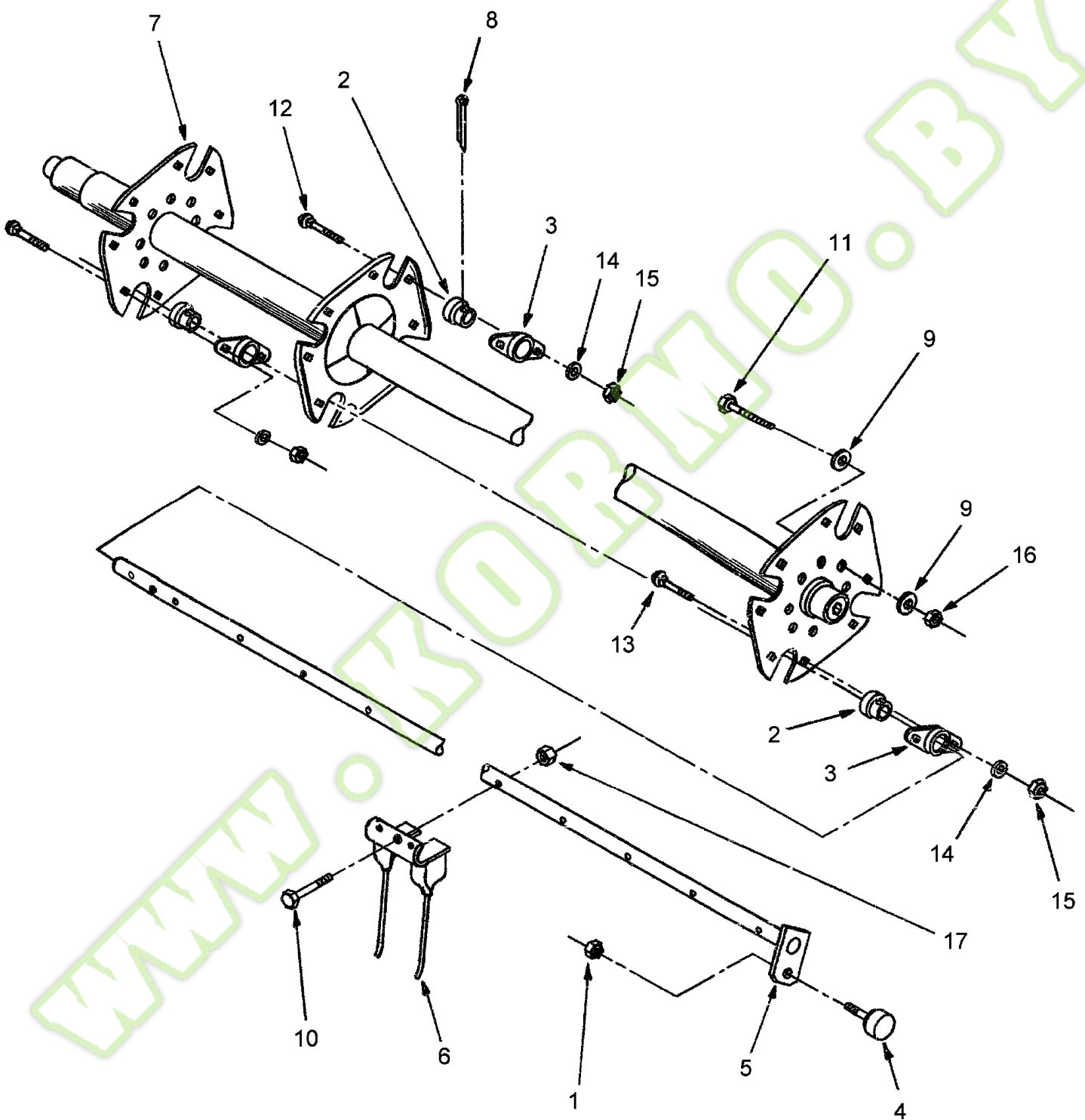
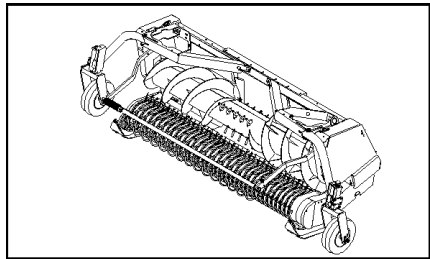
366W SP FORAGE PICK-UP HEAD (1/03-)

20.13.03 PICK-UP REEL

Ref	Part Number	Qty	Description
1	86631272	63	GUARD,
2	86977296	1	SHIELD, R.H.
3	280563	1	BOLT, {PP:80280563} Short NK, 5/8"-11 x 3 1/2", G5, Carriage, Short Neck, G5, 5/8"-11 x 3-1/2"
4	9801990	1	PLATE, {PP:89801990} Flat
5	27367	3AR	WASHER, {PP:80027367}
6	26382	AR	WASHER, {PP:80026382}
7	164999	AR	WASHER, {PP:80164999} 1-3/8" ID
8	66614	1	SPROCKET, {PP:80066614}
9	66553	1	BEARING, BALL, {PP:80066553}
10	86634530	1	HUB, Ring, Snap, Int, M62
11	130011	2	PIN, SPLIT (COTTER), {PP:80130011} M5 x 40, M5 x 40
12	86627515	1	BRACKET, Lock
13	86631276	1	CLUTCH, SLIP,
14	121602	2	BEARING, BALL, {PP:80121602}
15	86512412	1	CAM,
16	86631496	1	SHIELD, L.H.
17	65319	1	WASHER, {PP:80065319}
18	34043	1	SPACER, {PP:80034043}
19	86977170	2	SHAFT,
20	120068	3	SCREW, {PP:80120068} Hex, M10 x 40, 8.8, Full Thd, Cap, HH, CL 8.8, M10 x 1.5 x 40
21	9800957	AR	WASHER, {PP:89800957} Hardened, 1-3/8"
22	86533475	1	SHAFT,
23	47067	1	COLLAR, RETAINER, {PP:80047067}
24	48191	1	DUST CAP, {PP:80048191}
25	86977294	1	CAM,
26	87016	AR	WASHER, {PP:80087016} 3/8", SAE, SAE, 3/8"
27	86624678	1	COVER,
28	86548163	1	CHAIN, Roller, R606, 89 Total Pitches
28	86555133	1	CHAIN, Roller, R606, 89 Total Pitches, Chrome
29	86977354	1	SHIELD,
30	578189	6	FLANGE, {PP:80578189}
31	47066	1	BEARING, BALL, {PP:80047066}
32	86631284	1	SHEET METAL, R.H. End
33	86610677	3	SPACER,
34	86631289	4	PLATE,
35	86512815	4	SCREW, Set, Sq Hd, Cup Pt, 1/2"-13 x 1-1/4"
36	80120104	56	SCREW, Cap, HH, CL 8.8, M8 x 1.25 x 20
37	43138	6	SCREW, {PP:80043138} Hex, M10 x 20, 8.8, Full Thd, Cap, HH, CL 8.8, M10 x 1.5 x 20
38	9706687	3	SCREW, {PP:89706687} Hex, M12 x 30, 8.8, Cap, HH, CL 8.8, M12 x 1.75 x 30
39	412085	2	SCREW, {PP:80412085} Hex, M12 x 80, 10.9, Cap, HH, CL 10.9, M12 x 1.75 x 80
40	86512420	252	BOLT, Short NK, M8 x 20, Cl8.8, Full Thd, Carriage, CL8.8, M8 x 1.25 x 20
41	280552	3	BOLT, {PP:80280552} Short NK, 3/8"-16 x 1 1/2", G5, Carriage, Short Neck, G5, 3/8"-16 x 1-1/2"
42	322358	308	WASHER, LOCK, {PP:80322358} Belleville, M8, M8
43	140045	18	WASHER, LOCK, {PP:80140045} Belleville, M10, Belleville, M10
44	140046	3	WASHER, LOCK, {PP:80140046} Belleville, M12, Belleville, M12

Ref	Part Number	Qty	Description
45	573558	1	SHIELD, {PP:80573558} Bearing
46	280374	1	NUT, {PP:80280374} 5/8"-11, G5, G5, 5/8"-11
47	89706690	252	NUT, CL 8, M8 x 1.25
48	100016	6	NUT, {PP:80100016} M10, CI 8, CL 8, M10 x 1.5
49	280431	44	NUT, {PP:80280431} 1/2"-13, G5, Jam, G2, 1/2"-13
50	100038	2	NUT, LOCK, {PP:80100038} M12 x 1.75, CI 8, CL 8, M12 x 1.75
51	86729275	1	WASHER, LOCK, 5/8", 5/8"
52	9628503	6	NUT, {PP:89628503} 3/8"-16, G5, G5, 3/8"-16

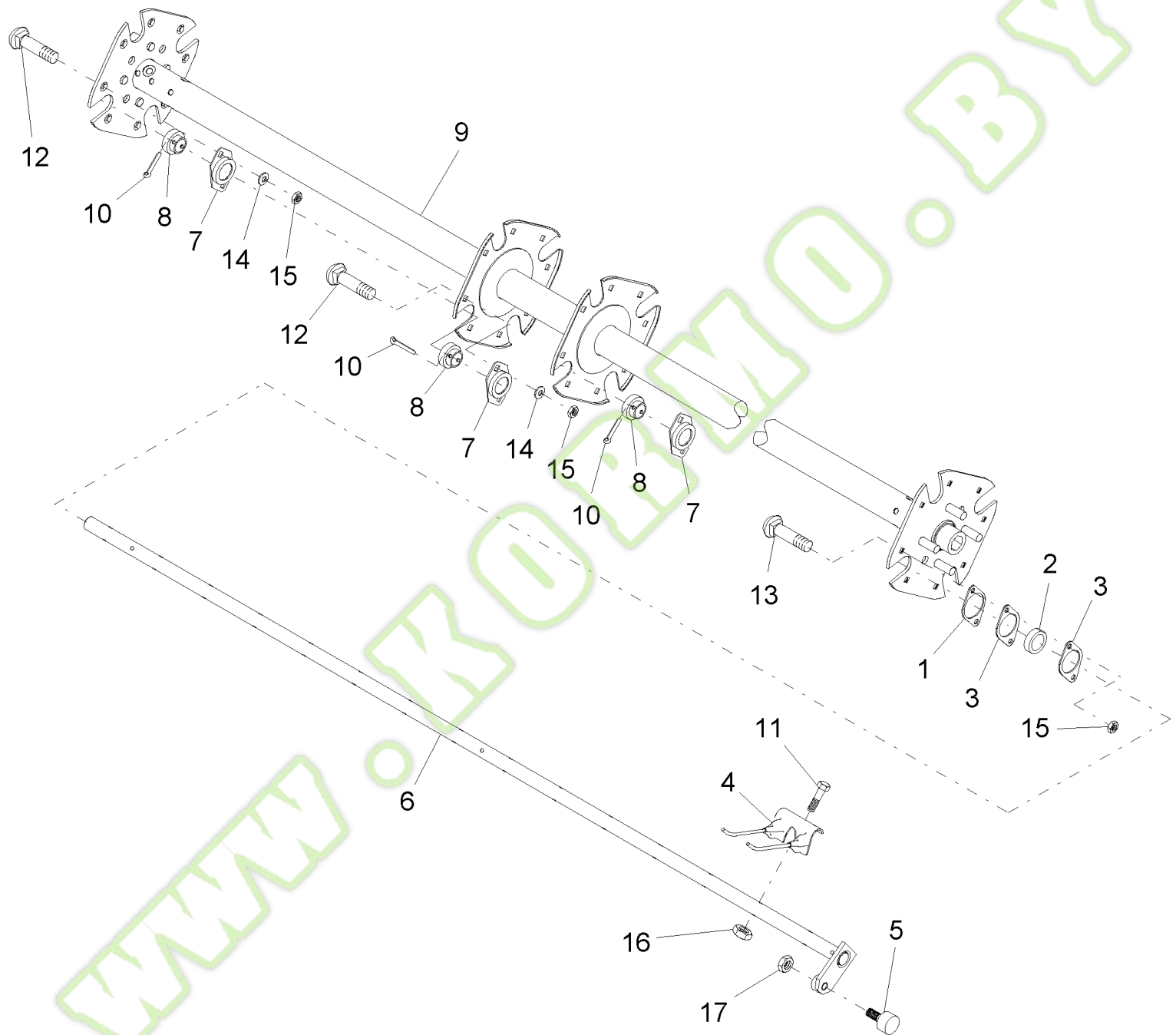
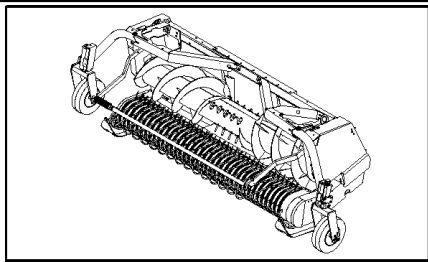
WWW.KORMO.BY



366W SP FORAGE PICK-UP HEAD (1/03-)

20.13.10(1) TINE BAR AND TUBE, LH, PRIOR TO P.I.N. 45931

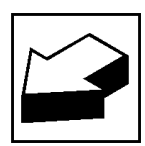
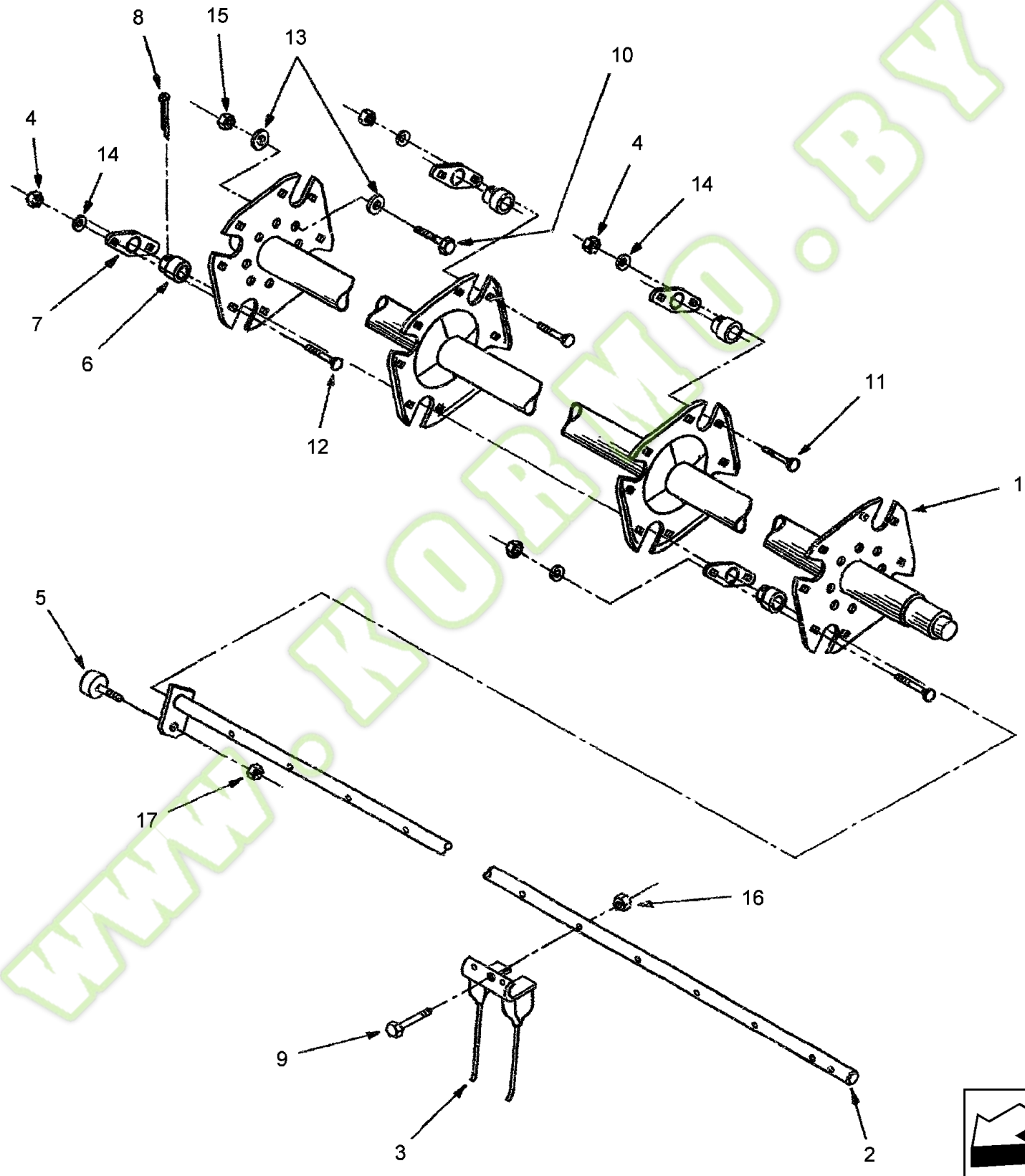
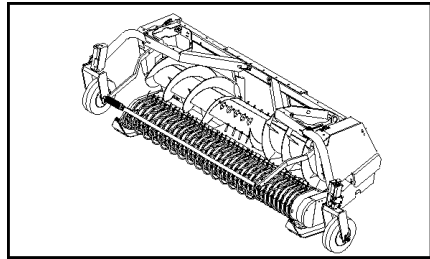
Ref	Part Number	Qty	Description
1	9602227	4	NUT, LOCK, {PP:89602227} 5/8"-11, GC, GC, 5/18"-18
2	54770	16	BEARING, BALL, {PP:80054770}
3	54695	16	CARRIER, BEARING, {PP:80054695}
4	84056924	4	ROLLER, Follower, Cam
5	86631215	4	FINGER BAR, 346W
5	86533478	4	SHAFT, 366W
6	9847572	64	TINE, {PP:89847572} Rubber-mounted, 346W
6	9847572	76	TINE, {PP:89847572} Rubber-mounted, 366W
7	86631213	1	TUBE, RIGID, 346W
7	86977340	1	TUBE, 366W
8	136521	16	PIN, SPLIT (COTTER), {PP:80136521} Hardened, 1/4" x 1-3/4"
9	87365	AR	WASHER, {PP:80087365} 5/8", SAE, SAE, 5/8", 366W
10	88275	64	BOLT, {PP:80088275} Hex, 5/16"-18 x 1 1/2", G5, Cap, HH, G5, 5/16"-18 x 1-1/2", 366W
10	88275	76	BOLT, {PP:80088275} Hex, 5/16"-18 x 1 1/2", G5, Cap, HH, G5, 5/16"-18 x 1-1/2", 346W
11	120090	4	SCREW, {PP:80120090} Hex, M16 x 50, 8.8, Bolt, Hex, M16 x 50, 8.8, 366W
12	86508748	24	BOLT, Short NK, 3/8"-16 x 3/4", G5, Full Thd, Carriage, Short Neck, G5, 3/8"-16 x 3/4"
13	86516317	8	BOLT, 3/8"-16 x 1", G5, Plow, #3 Hd, G5, 3/8"-16 x 1"
14	80680	32	WASHER, LOCK, {PP:80080680} 3/8", 3/8"
15	88902	32	NUT, {PP:80088902} 3/8"-16, GC, GC, 3/8"-16
16	100020	8	NUT, {PP:80100020} M16, CI 8, M16, CI 8, 366W
17	280736	64	NUT, LOCK, {PP:80280736} 5/16"-18, GC, G5, 5/16"-18, 366W
17	280736	76	NUT, LOCK, {PP:80280736} 5/16"-18, GC, G5, 5/16"-18, 346W
18	9602227	4	NUT, LOCK, {PP:89602227} 5/8"-11, GC, G8, 5/8"-18



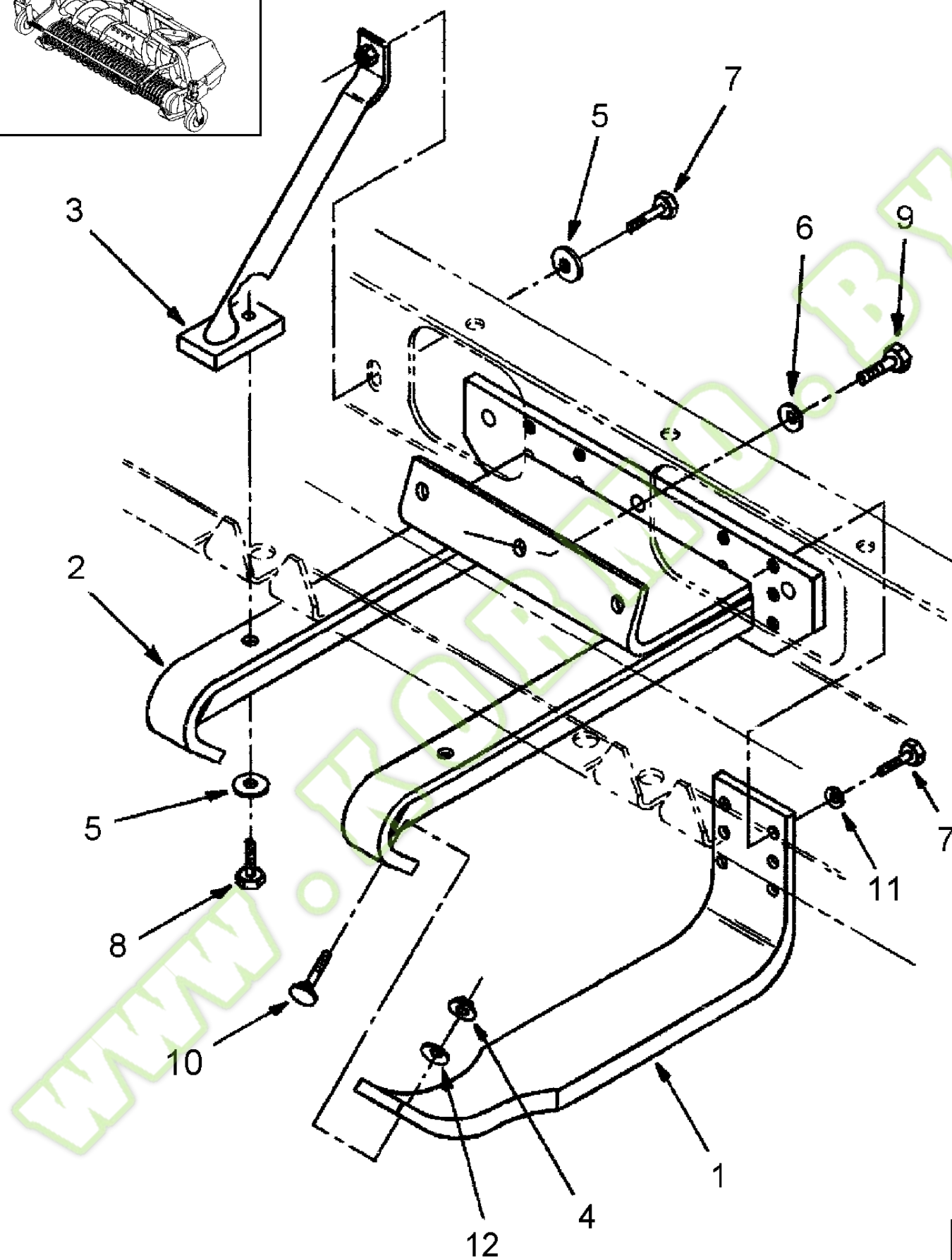
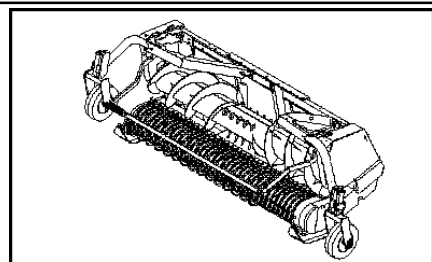
366W SP FORAGE PICK-UP HEAD (1/03-)

20.13.10(2) TINE BAR AND TUBE, LH, P.I.N. 45931 AND AFTER

Ref	Part Number	Qty	Description
1	87046737	4	SPACER,
2	86594423	4	BEARING, BALL,
3	136978	8	FLANGE, {PP:80136978} Bearing
4	9847572	76	TINE, {PP:89847572} Rubber, 346W
4	9847572	64	TINE, {PP:89847572} Rubber, 366W
5	84056924	4	ROLLER, Bearing Cam Follower
6	87046730	4	SHAFT, Finger Bar, 346W
6	87049478	4	SHAFT, Finger Bar, 366W
7	54695	12	CARRIER, BEARING, {PP:80054695}
8	54770	12	BEARING, BALL, {PP:80054770}
9	87046330	1	TUBE, 346W
9	87046728	1	TUBE, 366W
10	136521	12	PIN, SPLIT (COTTER), {PP:80136521} Hardened, 1/4" x 1-3/4"
11	88275	76	BOLT, {PP:80088275} Hex, 5/16"-18 x 1 1/2", G5, Cap, HH, G5, 5/16"-18 x 1-1/2", 346W
11	88275	64	BOLT, {PP:80088275} Hex, 5/16"-18 x 1 1/2", G5, Cap, HH, G5, 5/16"-18 x 1-1/2", 366W
12	86508748	24	BOLT, Short NK, 3/8"-16 x 3/4", G5, Full Thd, Carriage, Short Neck, G5, 3/8"-16 x 3/4"
13	86516317	8	BOLT, 3/8"-16 x 1", G5, Plow, #3 Hd, G5, 3/8"-16 x 1"
14	80680	24	WASHER, LOCK, {PP:80080680} 3/8", 3/8"
15	88902	32	NUT, {PP:80088902} 3/8"-16, GC, Lock, GC, 3/8"
16	280736	76	NUT, LOCK, {PP:80280736} 5/16"-18, GC, G5, 5/16"-18, 346W
16	280736	64	NUT, LOCK, {PP:80280736} 5/16"-18, GC, G5, 5/16"-18, 366W
17	9602227	4	NUT, LOCK, {PP:89602227} 5/8"-11, GC, G8, 5/8"-18

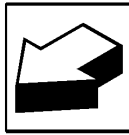
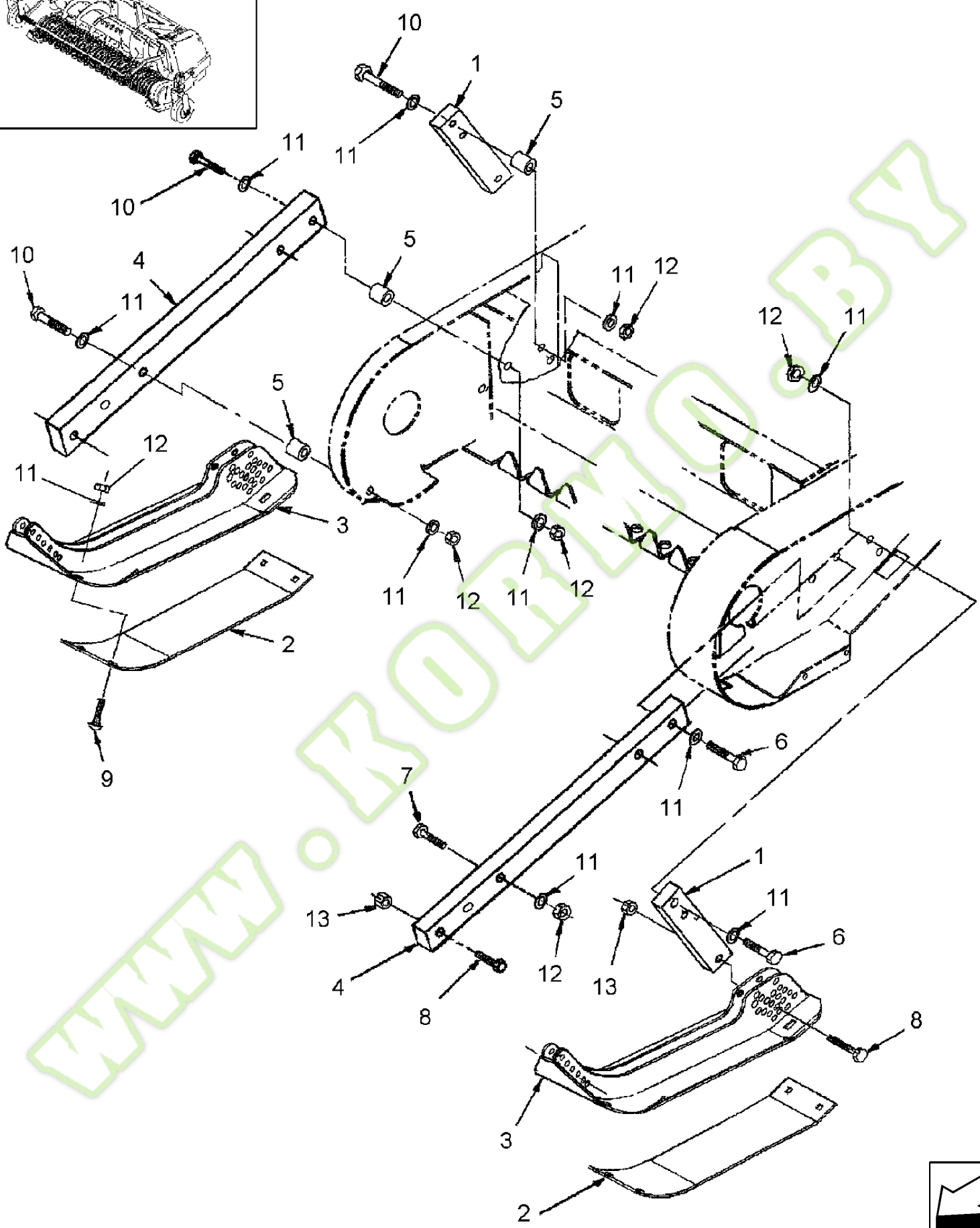
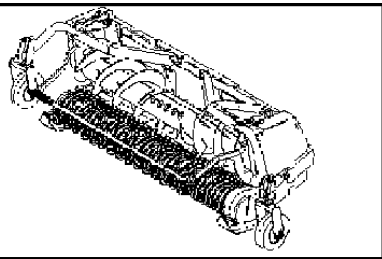


Ref	Part Number	Qty	Description
1	86977340	1	TUBE,
2	86538827	4	SHAFT, R.H.
3	9847572	64	TINE, {PP:89847572} Rubber-mounted
4	88902	32	NUT, {PP:80088902} 3/8"-16, GC, Lock, GC, 3/8"-16
5	84056924	4	ROLLER,
6	54770	16	BEARING, BALL, {PP:80054770}
7	54695	16	CARRIER, BEARING, {PP:80054695}
8	136521	16	PIN, SPLIT (COTTER), {PP:80136521} Hardened, 1/4" x 1-3/4"
9	88275	64	BOLT, {PP:80088275} Hex, 5/16"-18 x 1 1/2", G5, Cap, HH, G5, 5/16"-18 x 1-1/2"
10	120090	4	SCREW, {PP:80120090} Hex, M16 x 50, 8.8, Hex, M16 x 50, 8.8
11	86508748	24	BOLT, Short NK, 3/8"-16 x 3/4", G5, Full Thd, Carriage, Short Neck, G5, 3/8"-16 x 3/4"
12	86516317	8	BOLT, 3/8"-16 x 1", G5, Plow, #3 Hd, G5, 3/8"-16 x 1"
13	87365	AR	WASHER, {PP:80087365} 5/8", SAE, SAE, 5/8"
14	80680	32	WASHER, LOCK, {PP:80080680} 3/8", 3/8"
15	100020	4	NUT, {PP:80100020} M16, CI 8, M16, CI 8
16	280736	64	NUT, LOCK, {PP:80280736} 5/16"-18, GC, GC, 5/16"-18
17	9602227	4	NUT, LOCK, {PP:89602227} 5/8"-11, GC, GB, 5/8"-18, UNF



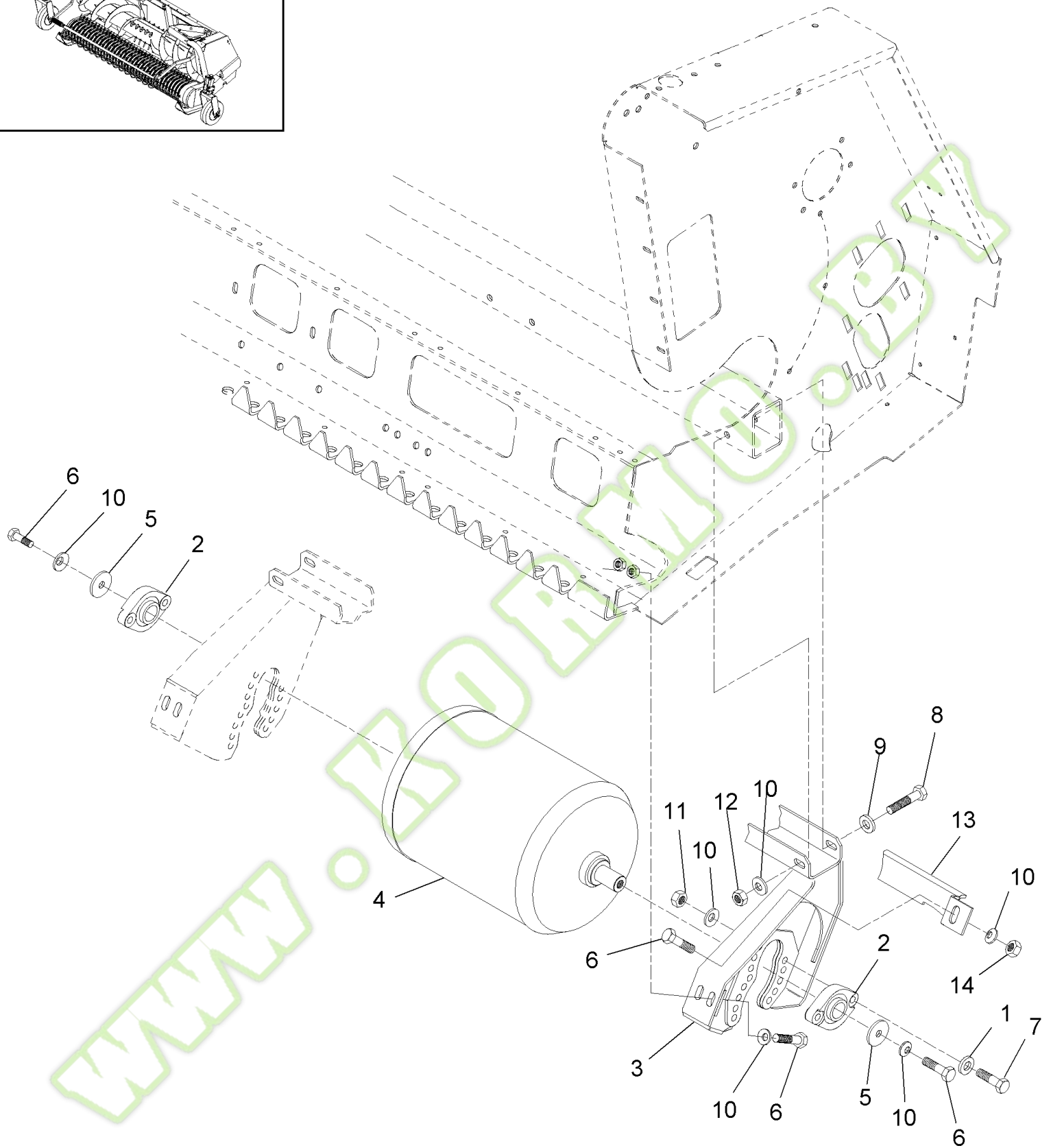
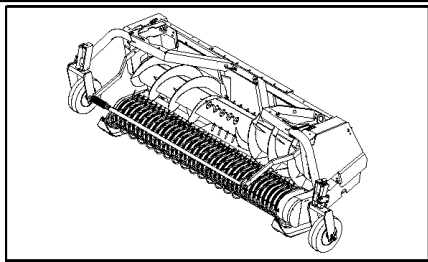
Ref	Part Number	Qty	Description
1	87014391	2	PLATE, SKID,
2	87014395	1	SUPPORT,
3	87014393	2	SUPPORT,
4	89706685	2	NUT, CL 8, M12 x 1.75
5	623303	4	WASHER, {PP:80623303}
6	140046	3	WASHER, LOCK, {PP:80140046} Belleville, M12, Belleville, M12
7	43140	6	BOLT, {PP:80043140} Hex, M10 x 30, 8.8, Cap, HH, CL 8.8, M10 x 1.5 x 30
8	120070	2	BOLT, {PP:80120070} Hex, M10 x 60, 8.8, Cap, HH, CL 8.8, M10 x 1.5 x 60
9	9706687	3	SCREW, {PP:89706687} Hex, M12 x 30, 8.8, Cap, HH, CL 8.8, M12 x 1.75 x 30
10	120044	2	BOLT, {PP:80120044} Short NK, M12 x 30, Cl8.8, Full Thd, Carriage, Short Neck, CL 8.8, M12 x 1.75 x 30
11	140045	4	WASHER, LOCK, {PP:80140045} Belleville, M10, Belleville, M10
12	80679	2	WASHER, LOCK, {PP:80080679} 1/2", 1/2"

20.13.21 SKID SHOES, OUTER



20.13.21 SKID SHOES, OUTER

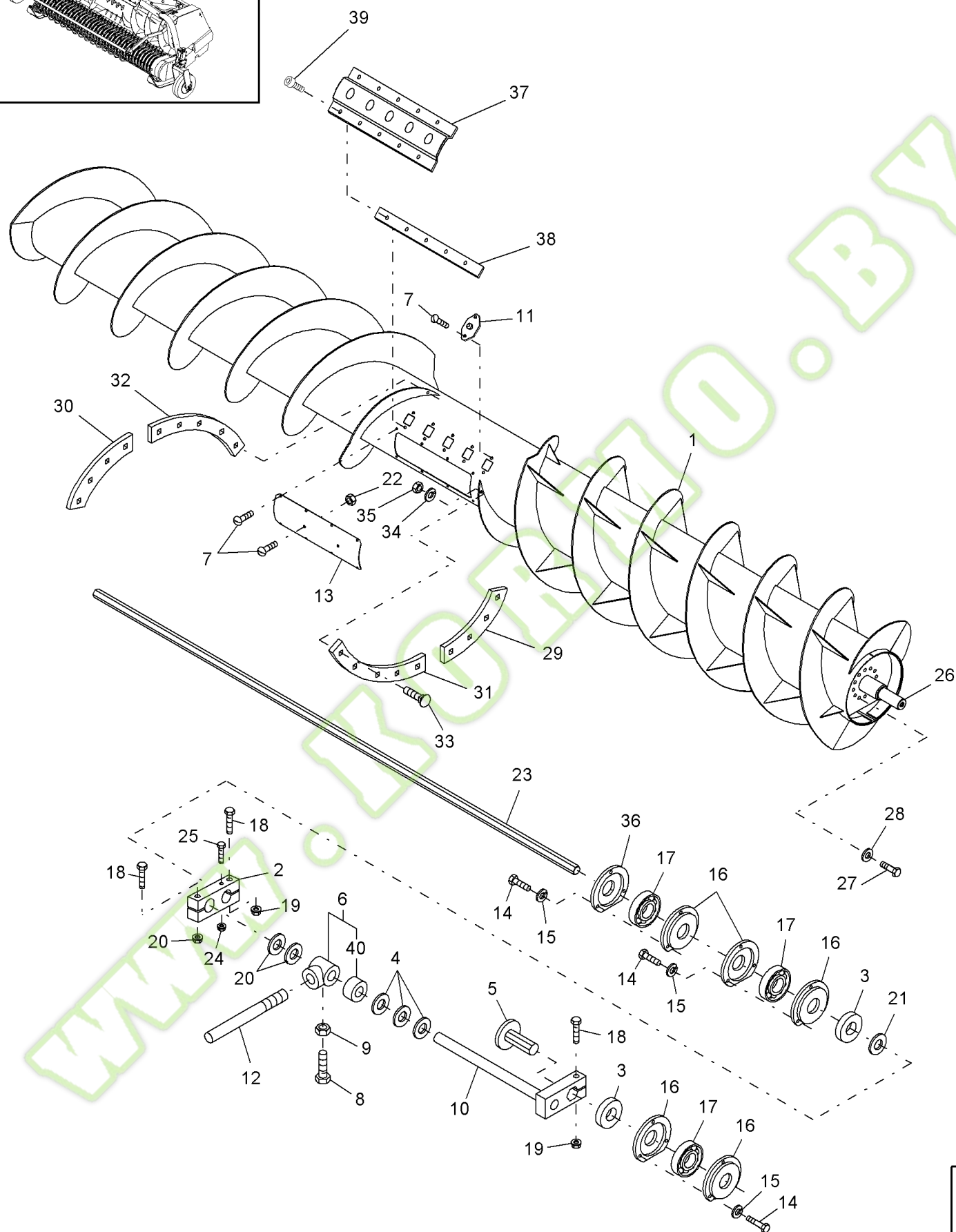
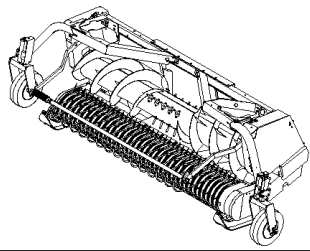
Ref	Part Number	Qty	Description
1	87014439	2	STRAP, SECURING,
2	87014420	2	PLATE, SKID,
3	87014418	2	PLATE, SKID, Shoe
4	87014422	2	BAR,
5	86622574	5	SPACER,
6	86629541	4	BOLT, Hex, M12 x 40, 8.8, Full Thd, Cap, HH, CL 8.8, M12 x 1.75 x 40
7	9706702	1	SCREW, {PP:89706702} Hex, M12 x 50, 8.8, Cap, HH, CL 8.8, M12 x 1.75 x 50
8	9706693	4	SCREW, {PP:89706693} Hex, M12 x 60, 8.8, Cap, HH, CL 8.8, M12 x 1.75 x 60
9	120044	8	BOLT, {PP:80120044} Short NK, M12 x 30, Cl8.8, Full Thd, Carriage, Short Neck, CL 8.8, M12 x 1.75 x 30
10	9706717	5	SCREW, {PP:89706717} Hex, M12 x 70, 8.8, Full Thd, Hex, M12 x 70, 8.8, Full Thd
11	140046	18	WASHER, LOCK, {PP:80140046} Belleville, M12, Belleville, M12
12	89706685	11	NUT, CL 8, M12 x 1.75
13	100038	4	NUT, LOCK, {PP:80100038} M12 x 1.75, Cl 8, CL 8, M12 x 1.75



366W SP FORAGE PICK-UP HEAD (1/03-)

20.13.22 ROLLER

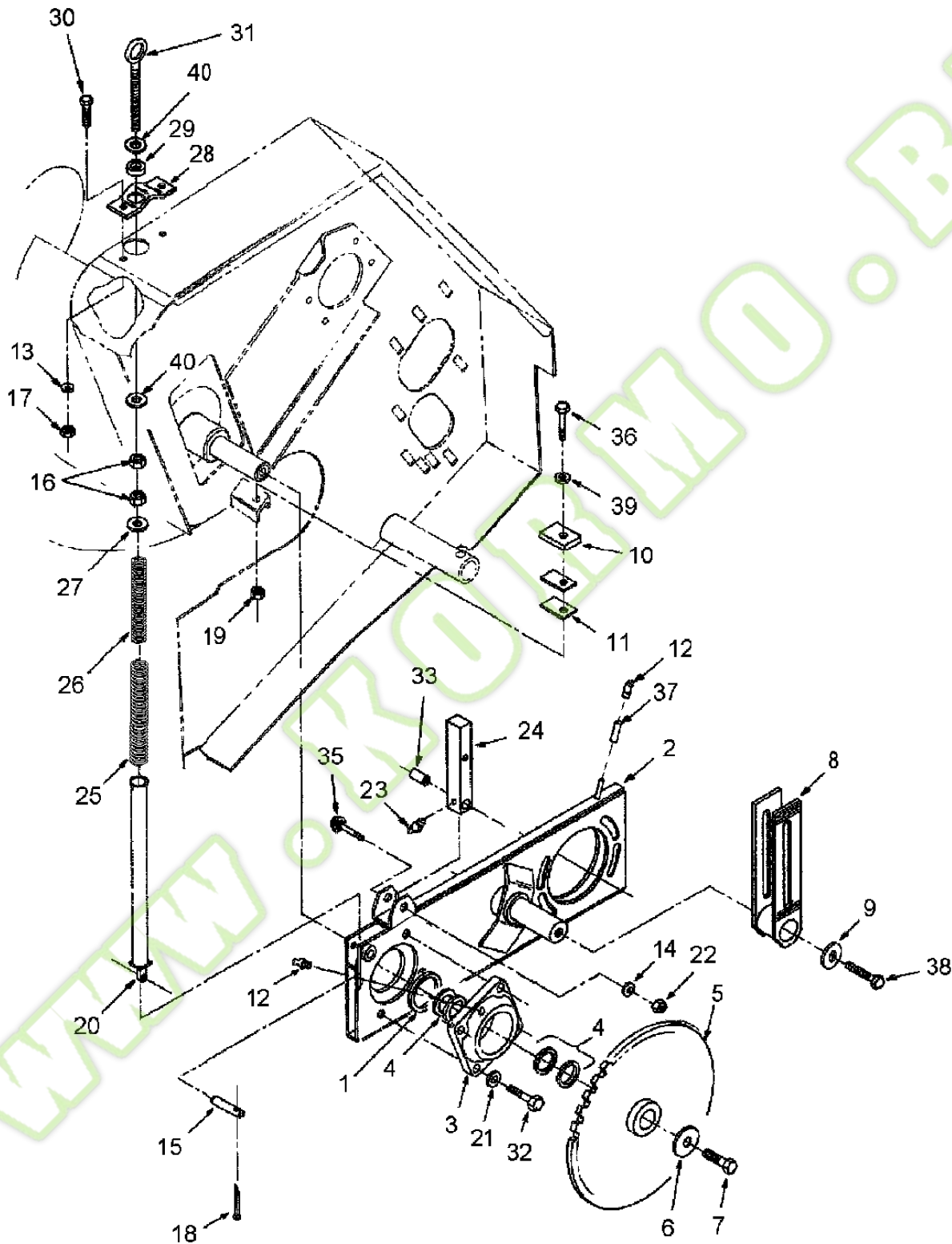
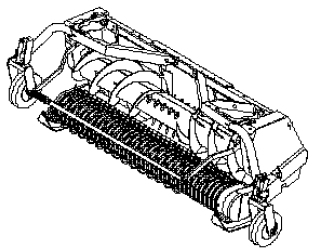
Ref	Part Number	Qty	Description
1	256713	4	SPACER, {PP:80256713}
2	9612899	2	HOUSING, BEARING, {PP:89612899}
3	87014408	1	SUPPORT, Roller
4	87014406	1	ROLLER,
5	9801096	2	WASHER, {PP:89801096}
6	9706687	8	SCREW, {PP:89706687} Hex, M12 x 30, 8.8, Cap, HH, CL 8.8, M12 x 1.75 x 30
7	9706702	4	SCREW, {PP:89706702} Hex, M12 x 50, 8.8, Cap, HH, CL 8.8, M12 x 1.75 x 50
8	86507067	2	SCREW, Hex, M12 x 110, 8.8, Cap, HH, CL 8.8, M12 x 1.75 x 110
9	80700	2	WASHER, {PP:80080700} 1/2", 1/2"
10	140046	10	WASHER, LOCK, {PP:80140046} Belleville, M12, Belleville, M12
11	43436	4	NUT, {PP:80043436} M12, Flg Ser, CL 8, M12 x 1.75
12	100038	2	NUT, LOCK, {PP:80100038} M12 x 1.75, Cl 8, CL 8, M12 x 1.75
13	87014410	1	BLADE, SCRAPER,
14	89706685	2	NUT, CL 8, M12 x 1.75



366W SP FORAGE PICK-UP HEAD (1/03-)

20.16.01 AUGER

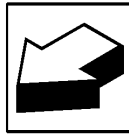
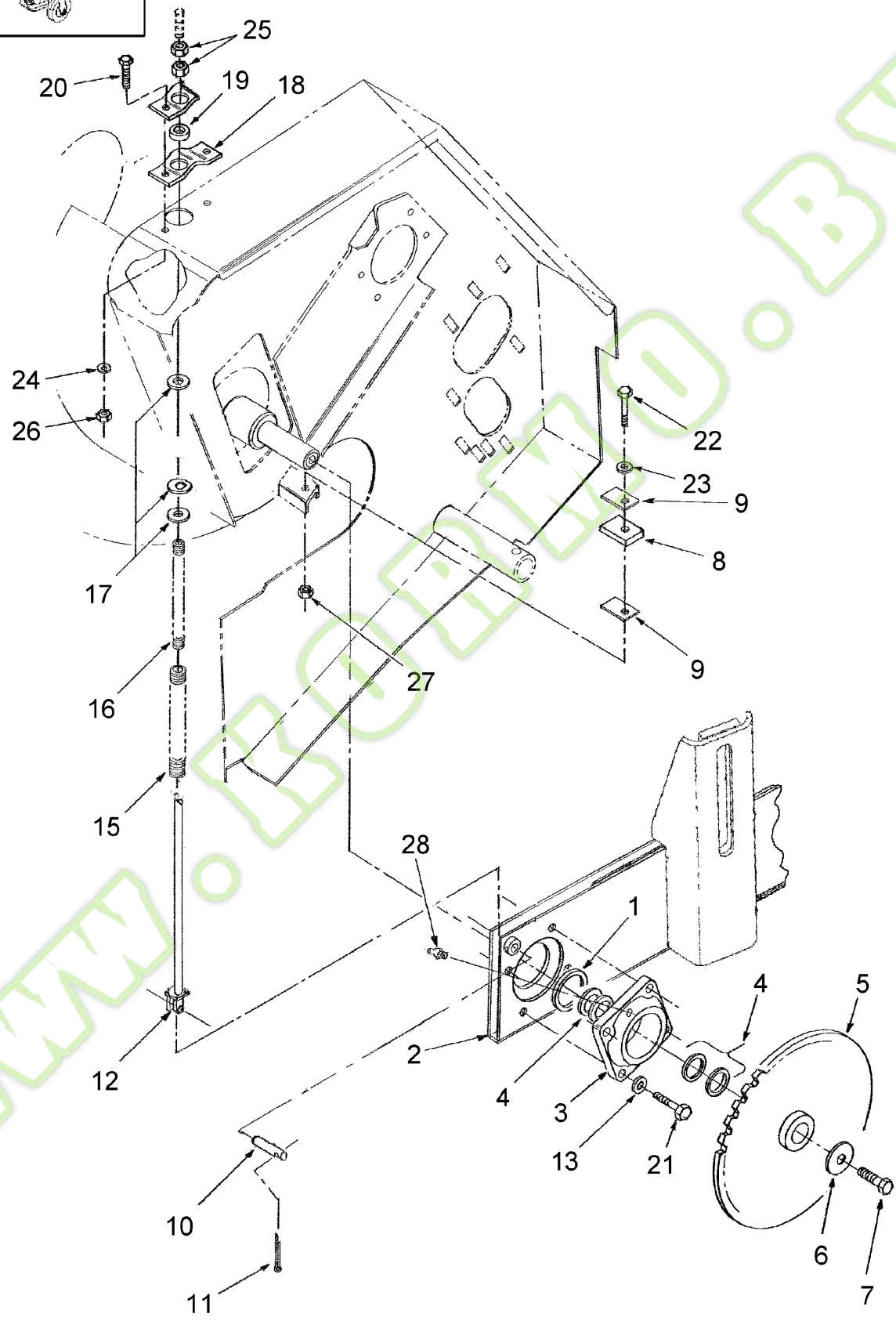
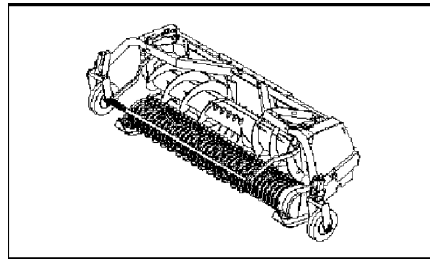
Ref	Part Number	Qty	Description
1	86631502	1	TUBE, 346W
1	86977320	1	TUBE, 356W
1	86977341	1	AUGER, 366W
2	288802	1	BLOCK, {PP:80288802}
3	86627498	2	SPACER,
4	26130	3	WASHER, {PP:80026130}
5	136538	1	SHAFT, {PP:80136538}
6	86627499	20	HOLDER, Finger, Includes (1each) Ref 40
7	86512337	50	SCREW, Button HD, Self-Locking, Torx, 5/16"-18 x 1"
8	88971	20	SET SCREW, {PP:80088971} Sq Hd, 5/16"-18 x 1", Set, Sq Hd, Cup Pt, 5/16"-18 x 1"
9	9626568	20	NUT, {PP:89626568} Jam, 5/16"-18, G2, Jam, G2, 5/16"-18
10	288791	1	SHAFT, {PP:80288791}
11	288799	20	GUIDE, {PP:80288799} Auger Finger
12	86551799	20	FINGER,
13	86631494	1	COVER,
14	88206	9	SCREW, {PP:80088206} Hex, 3/8"-16 x 1", G5, Full Thd, Cap, HH, G5, 3/8"-16 x 1"
15	80680	9	WASHER, LOCK, {PP:80080680} 3/8", 3/8"
16	86636169	5	FLANGE,
17	135241	3	BEARING, BALL, {PP:80135241} Hex-bore
18	88546	3	SCREW, {PP:80088546} Hex, 3/8"-16 x 2 1/4", G5, Cap, HH, G5, 3/8"-16 x 2-1/4"
19	88902	3	NUT, {PP:80088902} 3/8"-16, GC, GC, 3/8"-16
20	26129	6	WASHER, {PP:80026129}
21	87010553	AR	WASHER,
22	9635082	2	NUT, {PP:89635082} 5/16"-18, G5, G5, 5/16"-18
23	86546337	1	SHAFT, Hex, 346W
23	86546338	1	SHAFT, Hex, 356W
23	86538628	1	SHAFT, Hex, 366W
24	353308	1	NUT, {PP:80353308} M6 x 1, Cl 8, Prevailing Torque, CL 8, M6 x 1
25	338413	1	SCREW, {PP:80338413} Hex, M6 x 60, 8.8, Cap, HH, CL 8.8, M6 x 1 x 60
26	86977298	1	SHAFT, 346W, 356W & 366W
27	86505259	12	SCREW, Hex, M12 x 70, 10.9, Cap, HH, CL 10.9, M12 x 1.75 x 70
28	394630	12	WASHER, {PP:80394630} Hardened, M12
29	86977141	1	AUGER FLIGHT, Reinforcement, L.H.
30	86977143	1	AUGER, Reinforcement, R.H.
31	86977163	1	AUGER FLIGHT, Reinforcement, L.H.
32	86977161	1	AUGER FLIGHT, Reinforcement, R.H.
33	120041	18	BOLT, {PP:80120041} Short NK, M10 x 20, Cl8.8, Full Thd, Short Neck, CL 8.8, M10 x 1.5 x 20
34	140045	18	WASHER, LOCK, {PP:80140045} Belleville, M10, Belleville, M10
35	100016	18	NUT, {PP:80100016} M10, Cl 8, CL 8, M10 x 1.5
36	245743	1	SUPPORT, {PP:80245743} Shield and Bearing
37	86977166	4	STRIPPER, Auger Finger, See Fig 20.08.02
38	86977169	2	PLATE, Auger Finger, See Fig 20.08.02
39	86512337	50	SCREW, Button HD, Self-Locking, Torx, 5/16"-18 x 1"
40	288797	20	BUSHING, {PP:80288797}



366W SP FORAGE PICK-UP HEAD (1/03-)

20.16.02(1) AUGER MOUNT, LH, PRIOR TO P.I.N. 45931

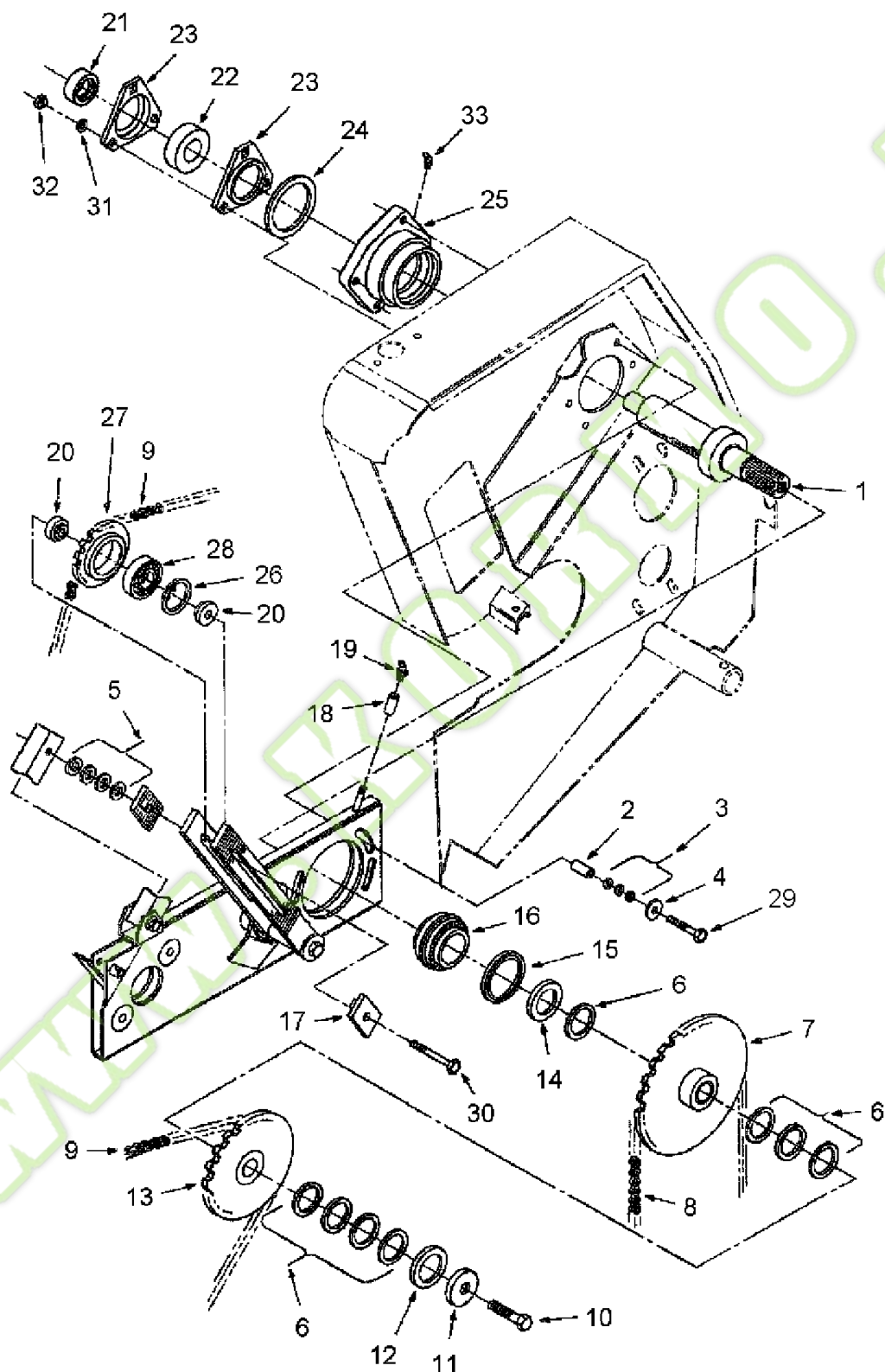
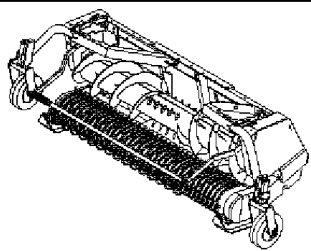
Ref	Part Number	Qty	Description
1	86541006	1	RING,
2	86977299	1	ARM, SUPPORTING, L.H.
3	226428	1	HOUSING, BEARING, {PP:80226428}
4	58821	AR	WASHER, {PP:80058821}
5	86977182	1	SPROCKET, DRIVEN, 32T
6	574245	1	WASHER, {PP:80574245} Hardened, Special, M16
7	86629498	1	BOLT, Locking, G5, 5/8"-11 x 1-1/2"
8	86633828	1	ARM,
9	25939	1	WASHER, {PP:80025939} Special
10	268027	1	PAD, {PP:80268027}
11	165076	AR	SPACER, {PP:80165076}
12	80710	2	NIPPLE, LUBE, {PP:80080710} 1/8"-27 x .66 lg, 1/8" NPT
13	140045	2	WASHER, LOCK, {PP:80140045} Belleville, M10, Belleville, M10
14	140046	1	WASHER, LOCK, {PP:80140046} Belleville, M12, Belleville, M12
15	86541014	1	PIN,
16	280374	2	NUT, {PP:80280374} 5/8"-11, G5, G5, 5/8"-11
17	100016	2	NUT, {PP:80100016} M10, CI 8, CL 8, M10 x 1.5
18	130011	1	PIN, SPLIT (COTTER), {PP:80130011} M5 x 40, M5 x 40
19	100037	1	NUT, {PP:80100037} M10 x 1.5, CI 8, Lock, CL 8, M10 x 1.5
20	86631234	1	TUBE,
21	65319	4	WASHER, {PP:80065319} M12
22	100038	1	NUT, LOCK, {PP:80100038} M12 x 1.75, CI 8, CL 8, M12 x 1.75
23	87415	1	NIPPLE, LUBE, {PP:80087415} 45e, 1/4" NPT x .75" lg, Drive, 1/4"-28, 90°
24	86977313	1	SUPPORT,
25	86977154	1	SPRING, Compression
26	86977155	1	SPRING, Compression
27	86631587	1	WASHER, 5/8"
28	86631236	1	PLATE,
29	76615	1	SPACER, {PP:80076615}
30	120113	2	BOLT, {PP:80120113} Hex, M10 x 50, 8.8, Full Thd, Cap, HH, CL 8.8, M10 x 1.5 x 50
31	9822763	1	BOLT, {PP:89822763} Eye
32	850124	4	SCREW, {PP:80850124} Cap, HH, Locking, CL 8.8, M12 x 1.25 x 40
33	86977140	1	SPACER,
34			Not Used
35	412097	1	BOLT, {PP:80412097} Short NK, M12 x 60, CI8.8, Carriage, Short Neck, CL 8.8, M12 x 1.75 x 60
36	120068	1	SCREW, {PP:80120068} Hex, M10 x 40, 8.8, Full Thd, Cap, HH, CL 8.8, M10 x 1.5 x 40
37	91932	1	COUPLING, {PP:80091932} 1/8" NPT
38	80043151	1	SCREW, Cap, HH, CL 8.8, M12 x 1.75 x 20
39	87016	1	WASHER, {PP:80087016} 3/8", SAE, SAE, 3/8"
40	87365	2	WASHER, {PP:80087365} 5/8", SAE, SAE, 5/8"



366W SP FORAGE PICK-UP HEAD (1/03-)

20.16.02(2) AUGER MOUNT, LH, P.I.N. 45931 AND AFTER

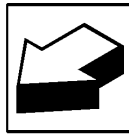
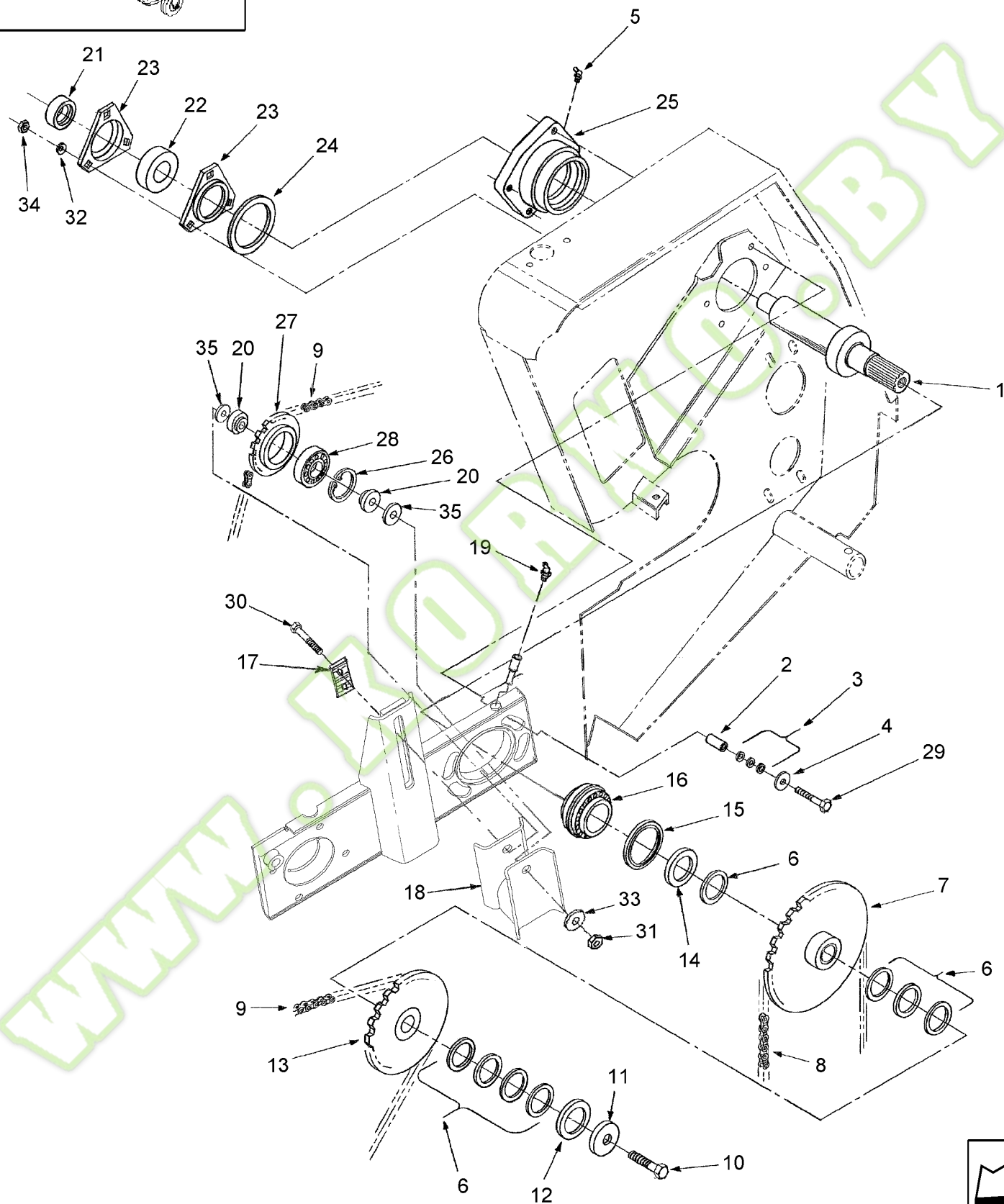
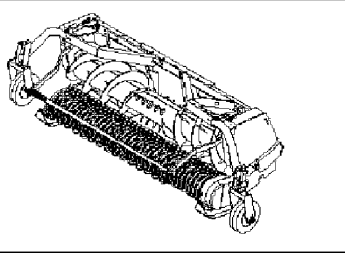
Ref	Part Number	Qty	Description
1	86541006	1	RING,
2	87046939	1	ARM ASSY., LH
3	226428	1	HOUSING, BEARING, {PP:80226428}
4	58821	4AR	WASHER, {PP:80058821}
5	86977182	1	SPROCKET, DRIVEN, 32T
6	574245	1	WASHER, {PP:80574245} Hardened, M16
7	86629498	2	BOLT, Locking, G5, 5/8"-11 x 1-1/2"
8	268027	1	PAD, {PP:80268027}
9	86633849	2AR	SPACER,
10	86633841	1	PIN,
11	130011	1	PIN, SPLIT (COTTER), {PP:80130011} M5 x 40, M5 x 40
12	87046739	1	ROD, MOUNTING,
13	65319	4	WASHER, {PP:80065319} 0.516"ID x 1"OD x 0.135"
14	87050787	1	CLIP,
15	86977154	1	SPRING, Compression
16	86977155	1	SPRING, Compression
17	86631587	3	WASHER, 5/8"
18	86631236	1	PLATE,
19	87010766	1	SPACER,
20	120113	2	BOLT, {PP:80120113} Hex, M10 x 50, 8.8, Full Thd, Cap, HH, CL 8.8, M10 x 1.5 x 50
21	850124	4	SCREW, {PP:80850124} Cap, HH, Locking, CL 8.8, M12 x 1.25 x 40
22	120068	1	SCREW, {PP:80120068} Hex, M10 x 40, 8.8, Full Thd, Cap, HH, CL 8.8, M10 x 1.5 x 40
23	87016	1	WASHER, {PP:80087016} 3/8", SAE, SAE, 3/8"
24	140045	2	WASHER, LOCK, {PP:80140045} Belleville, M10, M10
25	280374	2	NUT, {PP:80280374} 5/8"-11, G5, G5, 5/8"-11
26	100016	2	NUT, {PP:80100016} M10, Cl 8, CL 8, M10 x 1.5
27	100037	1	NUT, {PP:80100037} M10 x 1.5, Cl 8, Lock, CL 8, M10 x 1.5
28	80710	1	NIPPLE, LUBE, {PP:80080710} 1/8"-27 x .66 lg, 1/8"



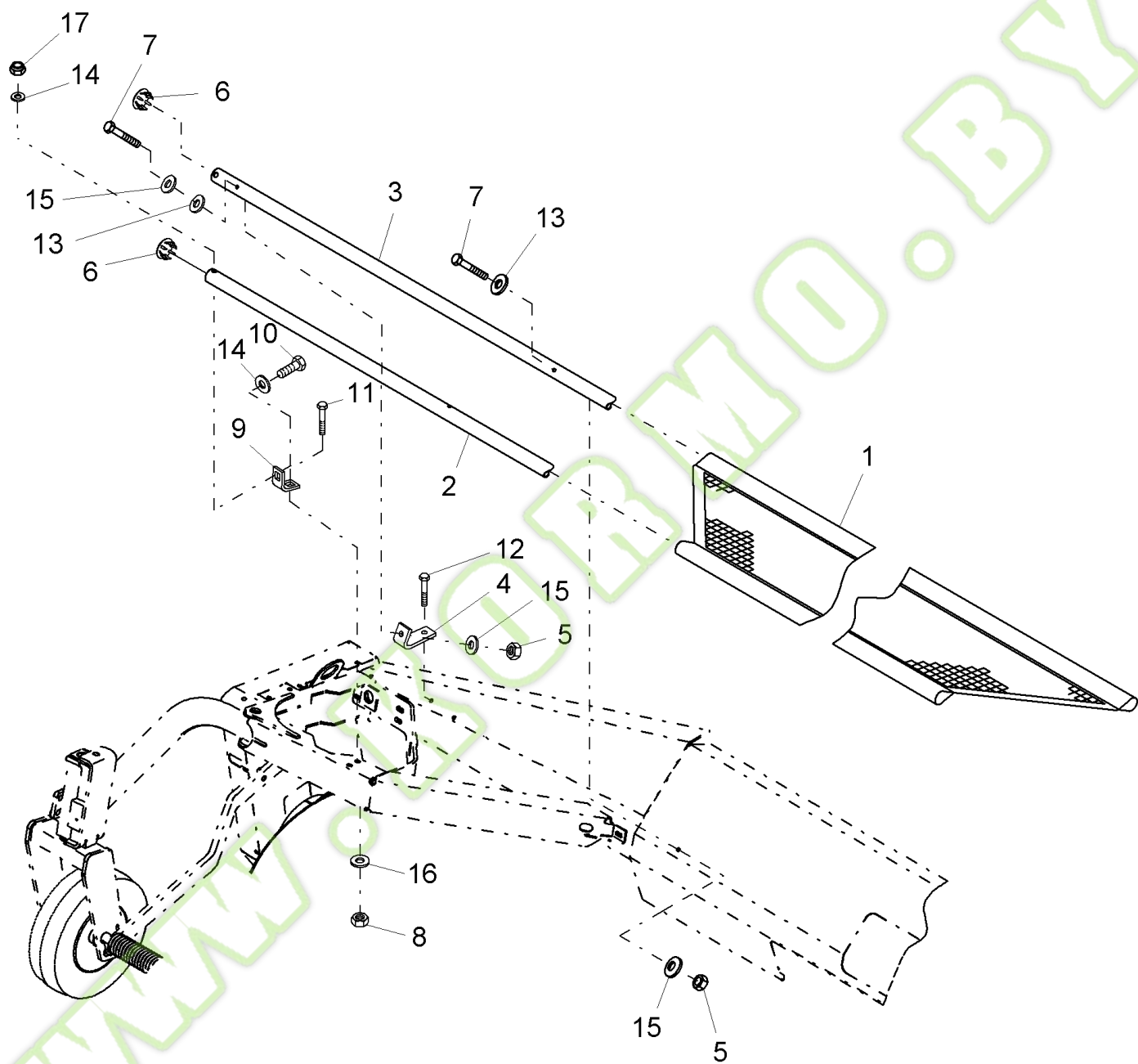
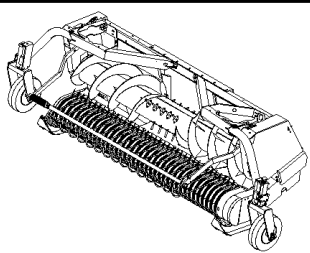
366W SP FORAGE PICK-UP HEAD (1/03-)

20.16.04(1) AUGER DRIVE AND PIVOT, PRIOR TO P.I.N. 45931

Ref	Part Number	Qty	Description
1	86551041	1	SHAFT,
2	86977136	4	BUSHING,
3	262279	AR	WASHER, {PP:80262279}
4	623303	4	WASHER, {PP:80623303}
5	87365	AR	WASHER, {PP:80087365} 5/8", SAE, SAE, 5/8"
6	28691	AR	WASHER, {PP:80028691}
7	86977204	1	SPROCKET, DRIVEN, 25T, RC80
8	86544199	1	CHAIN, RC 80, 46 Total Pitches
8	86563356	1	CHAIN, RC 80, 46 Total Pitches, Chrome
9	9802985	1	CHAIN, {PP:89802985} RC 80, 56 Pitches
9	86557074	1	CHAIN, RC 80, 56 Pitches, Chrome
10	86629498	1	BOLT, Special
11	574245	1	WASHER, {PP:80574245} Hardened, Special, M16
12	86603125	1	WASHER,
13	86977172	1	SPROCKET, 17T, 346W & 356W, Prior to PIN 45699
13	86977174	1	SPROCKET, DRIVEN, 13T, 346W & 356W, PIN 45699 and after
13	86631243	1	SPROCKET, 19T, RC80, 366W
14	86542737	1	SPACER,
15	788367	1	SEAL, {PP:80788367} Grease
16	86542898	1	BEARING ASSY, Tapered
17	86633837	2	PLATE,
18	91932	1	COUPLING, {PP:80091932} 1/8", 346W & 356W
19	80711	1	NIPPLE, LUBE, {PP:80080711} 65ε, 1/8" NPT x 7/8" lg, 1/8" NPT, 65°
20	9809160	2	SPACER, {PP:89809160}
21	63266	1	COLLAR, {PP:80063266}
22	63265	1	BEARING, BALL, {PP:80063265}
23	86548970	2	FLANGE, Bearing
24	767618	1	SEAL, RUBBER, {PP:80767618}
25	86533738	1	HOUSING, BEARING,
26	370012	1	CIRCLIP, {PP:80370012} Int, M62
27	9809168	1	SPROCKET, {PP:89809168}
28	210043	1	BEARING ASSY, {PP:80210043}
29	120070	4	BOLT, {PP:80120070} Hex, M10 x 60, 8.8, Cap, HH, CL 8.8, M10 x 1.5 x 60
30	321246	1	SCREW, {PP:80321246} Hex, M16 x 120, 8.8, Cap, HH, CL 8.8, M16 x 2 x 120
31	140045	4	WASHER, LOCK, {PP:80140045} Belleville, M10, Belleville, M10
32	100016	4	NUT, {PP:80100016} M10, CI 8, CL 8, M10 x 1.5
33	87569	1	NIPPLE, LUBE, {PP:80087569} 45ε, 1/4" NPT x .80" lg, Drive, 1/4"-28, 45°



Ref	Part Number	Qty	Description
1	86551041	1	SHAFT,
2	86977136	1	BUSHING,
3	262279	18	ARWASHER, {PP:80262279} 13/32"ID x 23/32"OD x 0.024"
4	623303	4	WASHER, {PP:80623303} 13/32"ID x 1-7/8"OD x 3/16"
5	87569	1	NIPPLE, LUBE, {PP:80087569} 45e, 1/4" NPT x .80" lg, Drive, 1/4"-28
6	28691	14	ARWASHER, {PP:80028691} 1-17/32"ID x 2-3/8" x 1/32"
7	86977204	1	SPROCKET, DRIVEN, 25T
8	86544199	1	CHAIN, RC80, 46 Total Pitches
8	86563356	1	CHAIN, RC80, 46 Total Pitches, Chrome
9	9802985	1	CHAIN, {PP:89802985} RC80, 56 Total Pitches
9	86557074	1	CHAIN, RC80, 56 Total Pitches, Chrome
10	86629498	1	BOLT, HH, 5/8"-11 x 1-1/2", Locking
11	574245	1	WASHER, {PP:80574245} 21/32"ID x 2"OD x 1/4"
12	86603125	1	WASHER, 1-5/8"OD x 2-3/8"OD x 3/16"
13	86977172	1	SPROCKET, 17T, 346W & 356W Prior to PIN 45699
13	86977174	1	SPROCKET, DRIVEN, 13T, 346W & 356W, PIN 45699 and after
13	86631243	1	SPROCKET, 19T, 366W
14	86542737	1	SPACER,
15	788367	1	SEAL, {PP:80788367} Grease
16	86542898	1	BEARING ASSY, Tapered
17	86633837	1	PLATE,
18	87048549	1	SUPPORT ASSY.,
19	80711	1	NIPPLE, LUBE, {PP:80080711} 65e, 1/8" NPT x 7/8" lg, 1/8" Pipe Thread
20	9809160	2	SPACER, {PP:89809160}
21	63266	1	COLLAR, {PP:80063266}
22	63265	1	BEARING, BALL, {PP:80063265}
23	86548970	2	FLANGE, Bearing
24	767618	1	SEAL, RUBBER, {PP:80767618}
25	86533738	1	HOUSING, BEARING,
26	370012	1	CIRCLIP, {PP:80370012} INID M62 x 2
27	86631245	1	SPROCKET, 13T
28	210043	1	BEARING ASSY, {PP:80210043}
29	120070	4	BOLT, {PP:80120070} Hex, M10 x 60, 8.8, Cap, HH, CL 8.8, M10 x 1.5 x 60
30	80043874	1	SCREW, Cap, HH, CL 8.8, M16 x 2 x 110
31	100020	1	NUT, {PP:80100020} M16, CI 8, CL 8, M16 x 2
32	140045	4	WASHER, LOCK, {PP:80140045} Belleville, M10, M10
33	140048	1	WASHER, LOCK, {PP:80140048} Belleville, M16, M16
34	100016	4	NUT, {PP:80100016} M10, CI 8, CL8, M10 x 1.5
35	27697	4	AR WASHER, {PP:80027697} 21/32"ID x 1-1/16"OD x 1/16"



Ref	Part Number	Qty	Description
1	86570860	1	SCREEN, Net, Large Frame
2	86576130	1	TUBE,
3	86576131	1	TUBE,
4	87013820	2	BRACKET,
5	89706690	4	NUT, CL 8, M8-1.25
6	272721	2	PLUG, {PP:80272721} Button
7	120062	2	SCREW, {PP:80120062} Hex, M8 x 70, 8.8, Cap, HH, CL 8.8, M8 x 1.25 x 70
8	89706685	2	NUT, CL 8, M12-1.75
9	87013877	2	ANGLE,
10	9706717	2	SCREW, {PP:89706717} Hex, M12 x 70, 8.8, Full Thd, Hex, M12 x 70, 8.8, Full Thd
11	374895	2	SCREW, {PP:80374895} Short NK, M12 x 25, Cl8.8, Full Thd, Carriage, Short Neck, CL 8.8, M12 x 1.75 x 25
12	381014	2	SCREW, SELF TAPPING, {PP:80381014} M8 x 16
13	80664	4	WASHER, {PP:80080664} 5/16", 5/16"
14	86511324	4	WASHER, M12 x 24 x 2.5, M12
15	322358	4	WASHER, LOCK, {PP:80322358} Belleville, M8, M8
16	140046	2	WASHER, LOCK, {PP:80140046} Belleville, M12, M12
17	100038	4	NUT, LOCK, {PP:80100038} M12 x 1.75, Cl 8, CL 8, M12 x 1.75

WWW.KORMO.BY