

Attachments

for 600N8 NH 8-ROW CORN HEAD FOR FX SERIES

9630 SELF PROPELLED FORAGE HARVESTER - TERRA COTTA VERSION

9640 SELF PROPELLED FORAGE HARVESTER - TERRA COTTA VERSION

9645 SELF PROPELLED FORAGE HARVESTER - TERRA COTTA VERSION

FX28 SELF-PROPELLED FORAGE HARVESTER (9/98-)

FX300 NH SELF PROPELLED FORAGE HARVESTER - YELLOW VERSION

FX375 NH SELF PROPELLED FORAGE HARVESTER - YELLOW VERSION

FX38 SELF-PROPELLED FORAGE HARVESTER (9/98-)

FX450 NH SELF PROPELLED FORAGE HARVESTER - YELLOW VERSION

FX48 SELF-PROPELLED FORAGE HARVESTER (9/98-)

FX58 SELF-PROPELLED FORAGE HARVESTER (9/98-)

WWW.KORMO.BY



MAIN SECTIONS

SECTIONS PRINCIPALES

SECCIONES PRINCIPALES

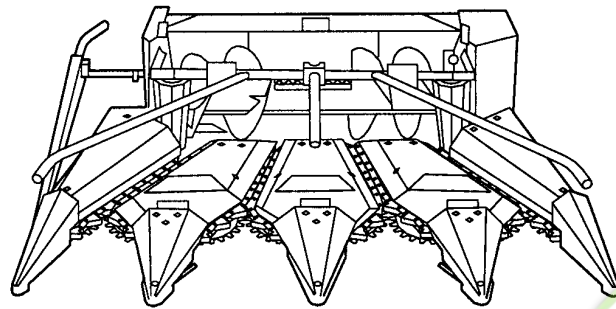
HOVEDAFSNIT

SEZIONI PRINCIPALI

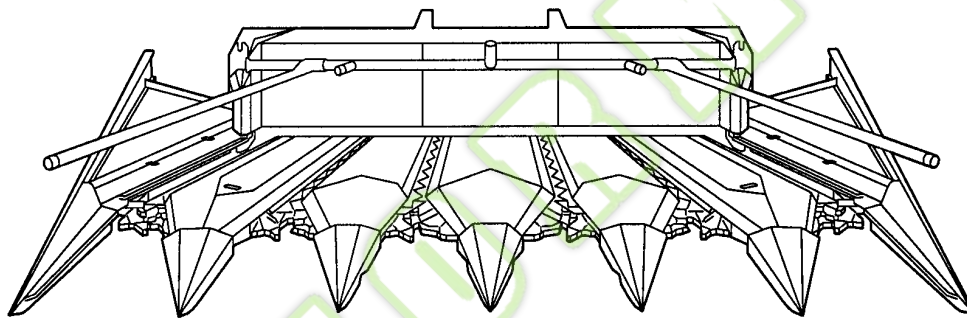
HAUPTABSCHNITTE

SECÇÕES PRINCIPAIS

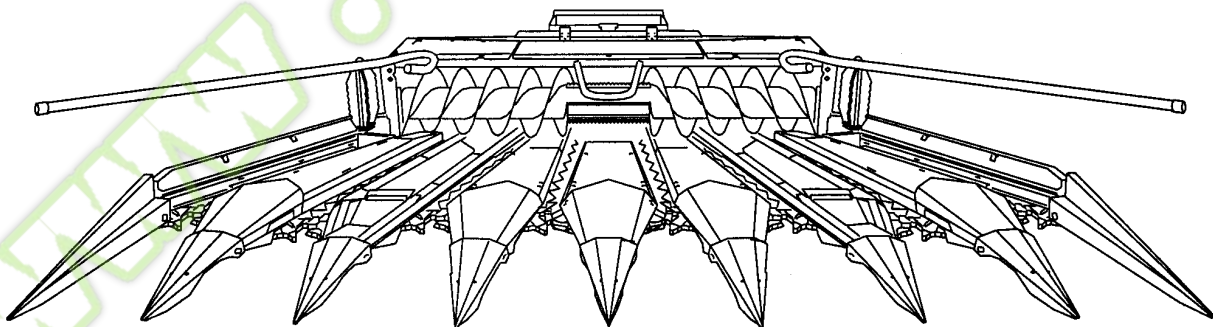
HOOFDSECTIES



360N4: 12.101 → 12.128



300N6: 12.201 → 12.239



600N8: 12.301 → 12.349

Ref	Part Number	Qty	Description
			

SECTIONS

SECTIONS

SECCIONES

AFSNIT

SEZIONI

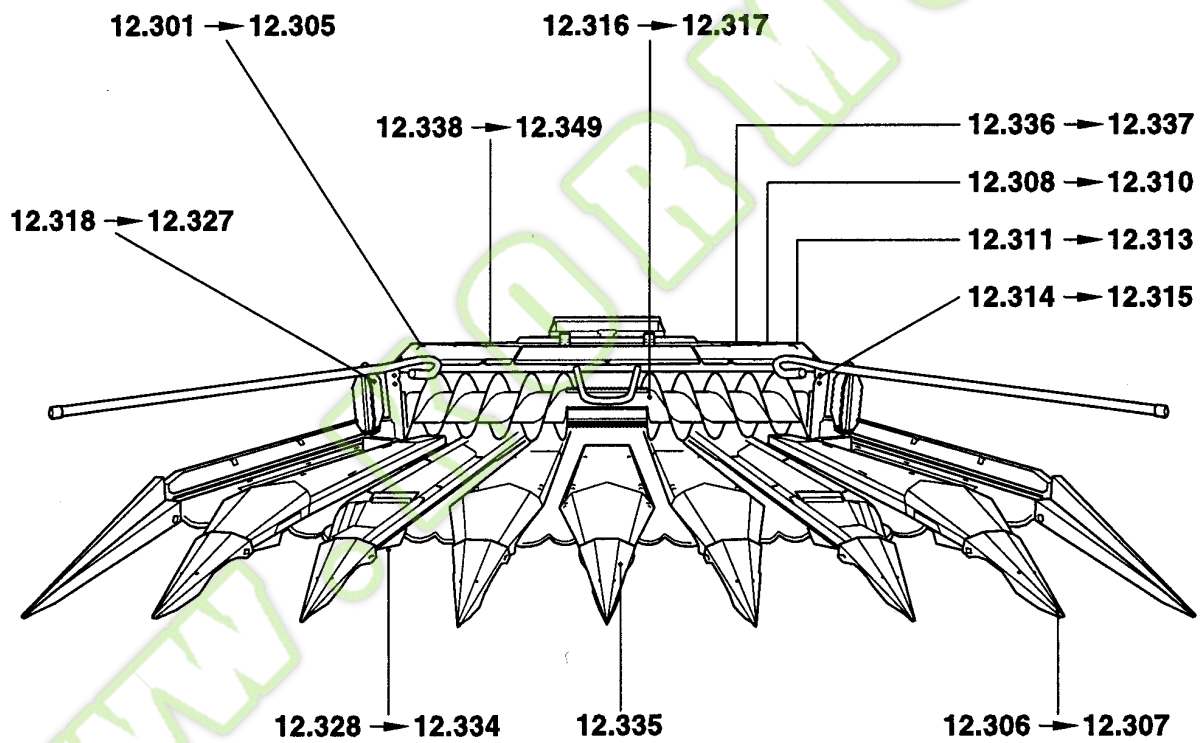
ABSCHNITTE

SECÇÕES

SECTIES

SEC. 12

600N8

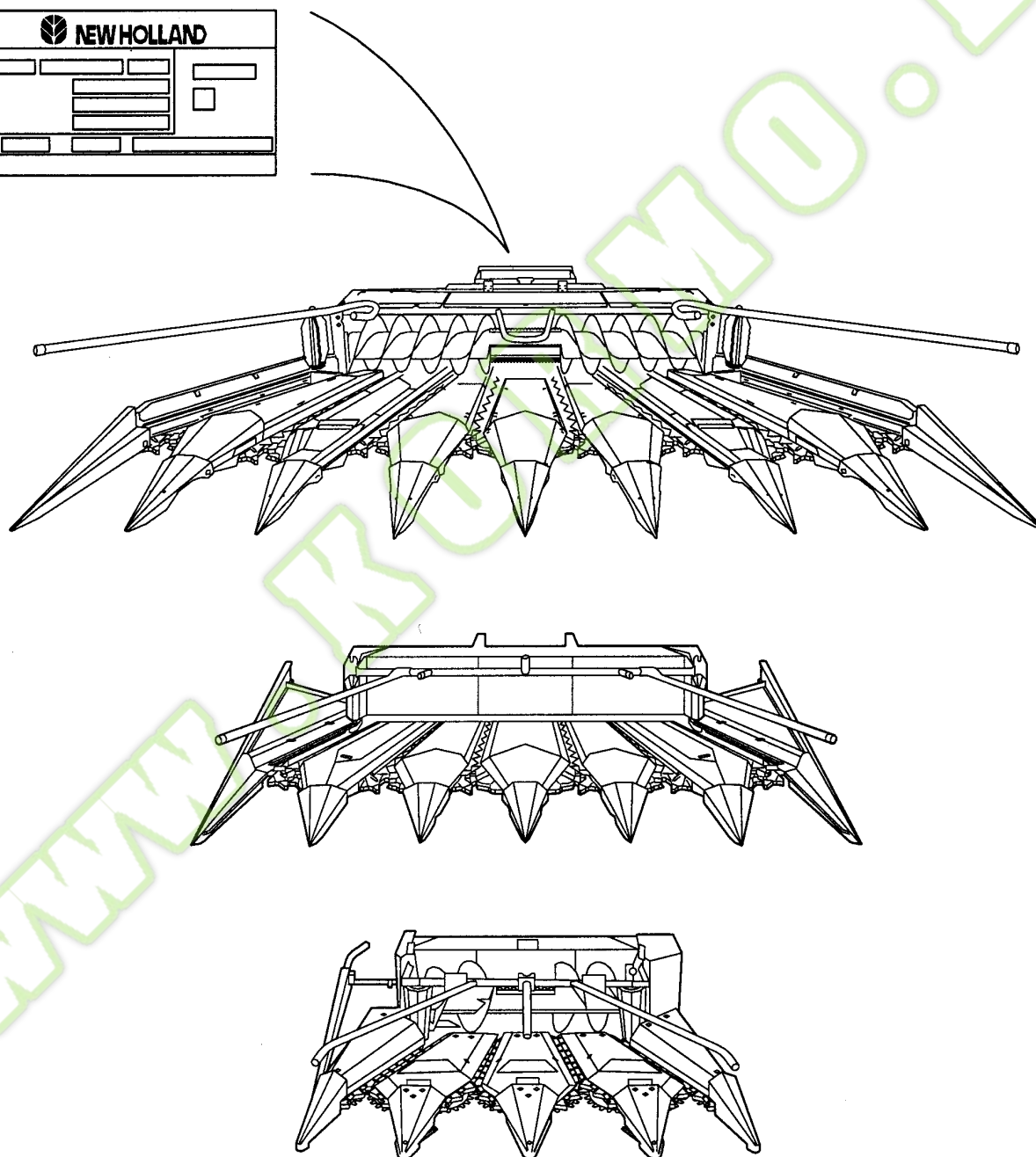
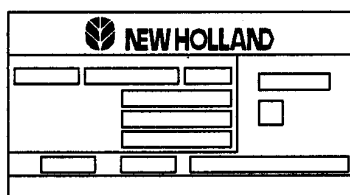


Ref	Part Number	Qty	Description
<p>WWW.KORMO.BY</p>			

IDENTIFICATION PLATES
TARGHETTE DI IDENTIFICAZIONE
PLAQUES D'IDENTIFICATION
TYPENSCHILDER

PLACAS DE IDENTIFICACIÓN
CHAPAS DE IDENTIFICAÇÃO
IDENTIFIKATIONSPLADER
IDENTIFICATIEPLATEN

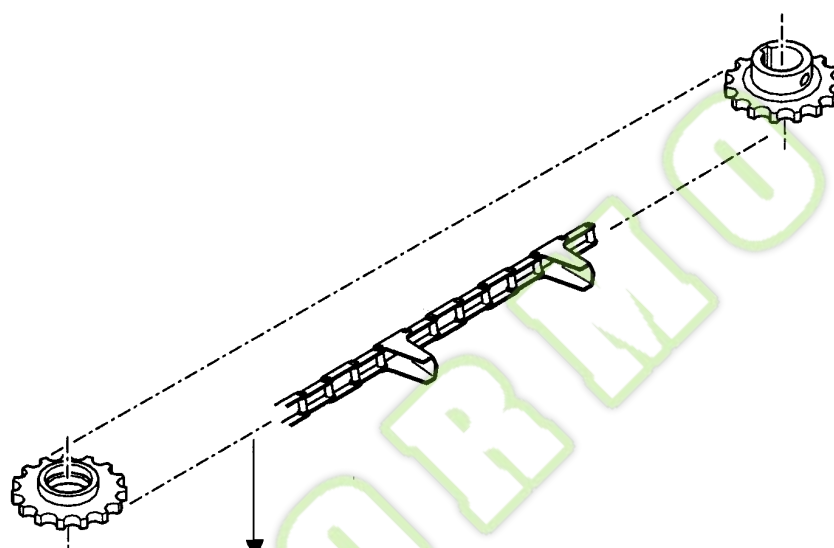
VEHICLE IDENTIFICATION
IDENTIFICAZIONE MODELLO
IDENTIFICATION MODELE
KENNZEICHEN MODELLS
IDENTIFICACION MODELO
IDENTIFICAÇÃO DO MODELO
MODELKENDINGSPLADE
MODELIDENTIFICATIE



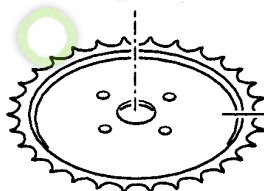
Ref	Part Number	Qty	Description
			

**MAINTENANCE PARTS
PARTICOLARI PER LA MANUTENZIONE
PIECES DE MAINTENANCE
TEILE FÜR DIE INSTANDHALTUNG**

**PIEZAS DE MANTENIMIENTO
PEÇAS DE MANUTENÇÃO
VEDLIGEHOULDELSESEDELE
ONDERDELEN VOOR ONDERHOUD**



12.115 (360N4)
12.230 (300N6)
12.335 (600N8)



12.122 (360N4)
12.123 (360N4)
12.225 (300N6)
12.330 (600N8)

Ref	Part Number	Qty	Description
			

Ref	Part Number	Qty	Description
			

SECTIONS

SECTIONS

SECCIONES

AFSNIT

SEZIONI

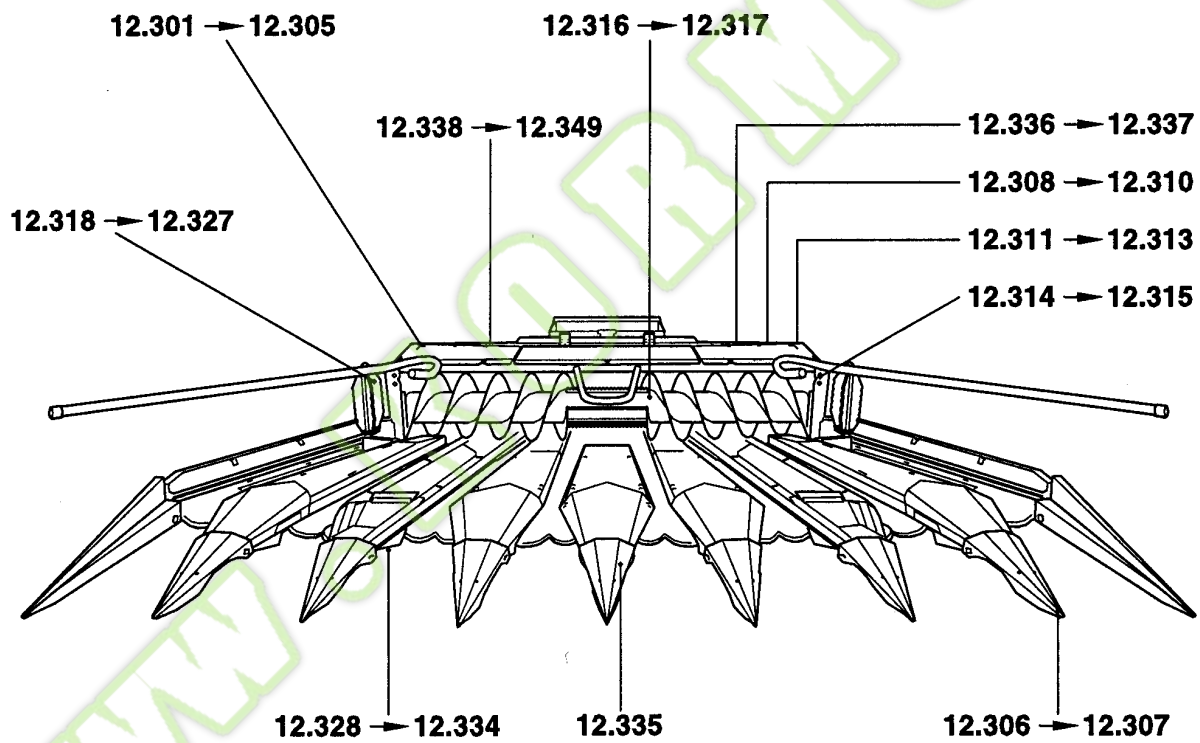
ABSCHNITTE

SECÇÕES

SECTIES

SEC. 12

600N8



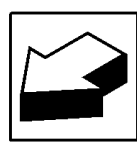
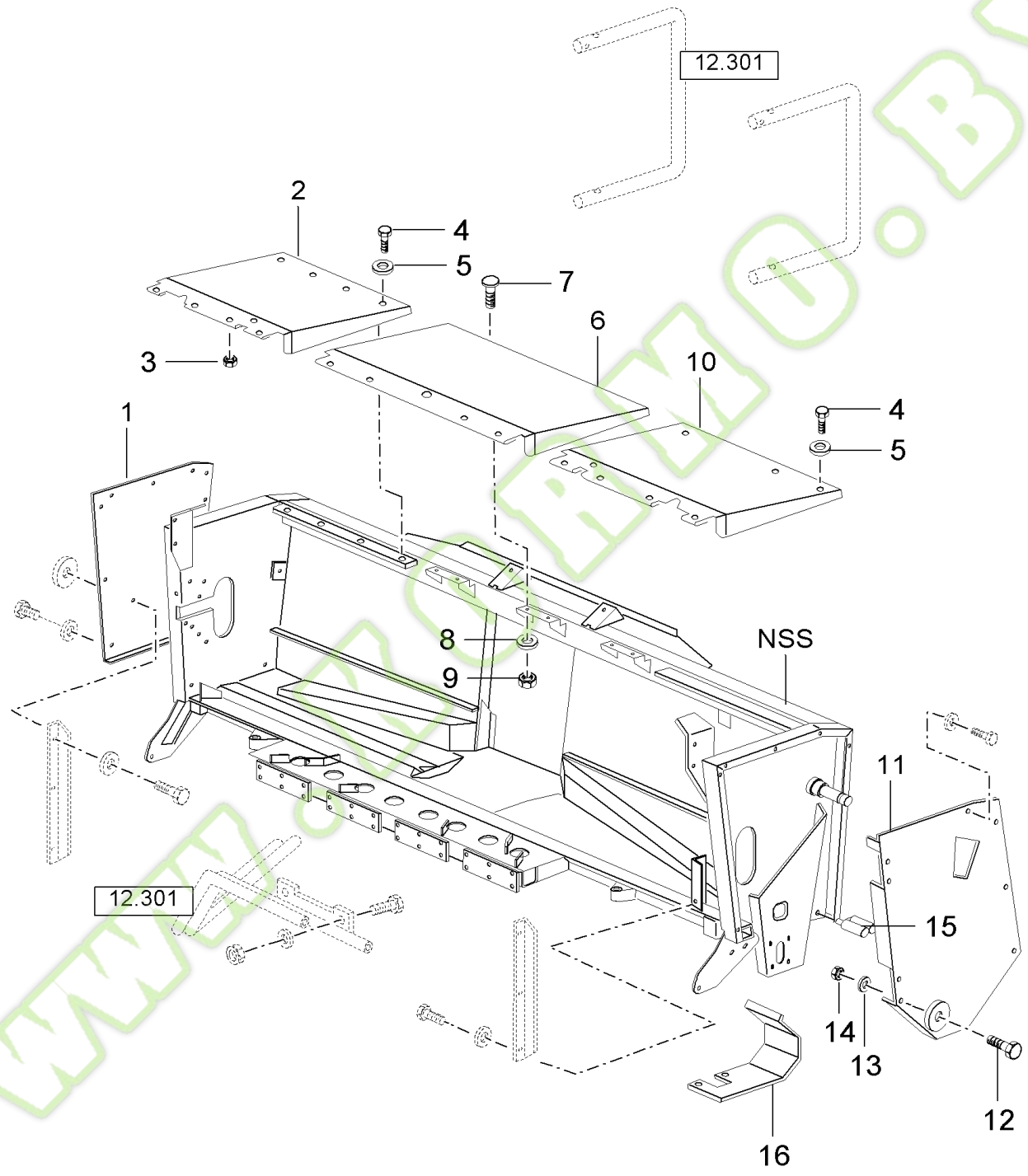
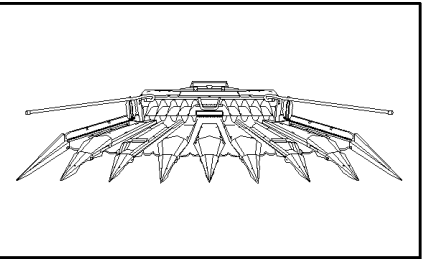
Ref	Part Number	Qty	Description
			

600N8 NH 8-ROW CORN HEAD FOR FX SERIES

12.301(01) MAIN FRAME

Ref	Part Number	Qty	Description
1	140041	4	WASHER, {PP:80140041} M8 x 28 x 3,
2	89507017	2	GUIDE,
3	100038	4	NUT, LOCK, {PP:80100038} M12 x 1.75, CI 8, M12
4	80749426	6	WASHER, 12MM
5	300389	2	SCREW, {PP:80300389} Hex, M12 x 35, 8.8, Full Thd, M12x35
7	322358	AR	WASHER, LOCK, {PP:80322358} Belleville, M8, 8MM
8	84038427	2	BLADE, SCRAPER,
9	80749187	2	REFLECTOR,
10	80749384	2	SPRING,
11	84038421	4	BRACKET,
12	84038422	2	SUPPORT,
13	100015	10	NUT, {PP:80100015} M8, CI 8, M8
14	100067	AR	NUT, {PP:80100067} M8 x 1.25", CI 8, M8
15	43127	2	BOLT, {PP:80043127} Hex, M8 x 25, 8.8, M8x25
16	89509032	4	BOLT, M8x40
6	16043224	AR	SCREW, Hex, M8 x 16, 8.8, Full Thd, M8x16

12.302(01) MAIN FRAME

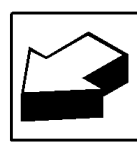
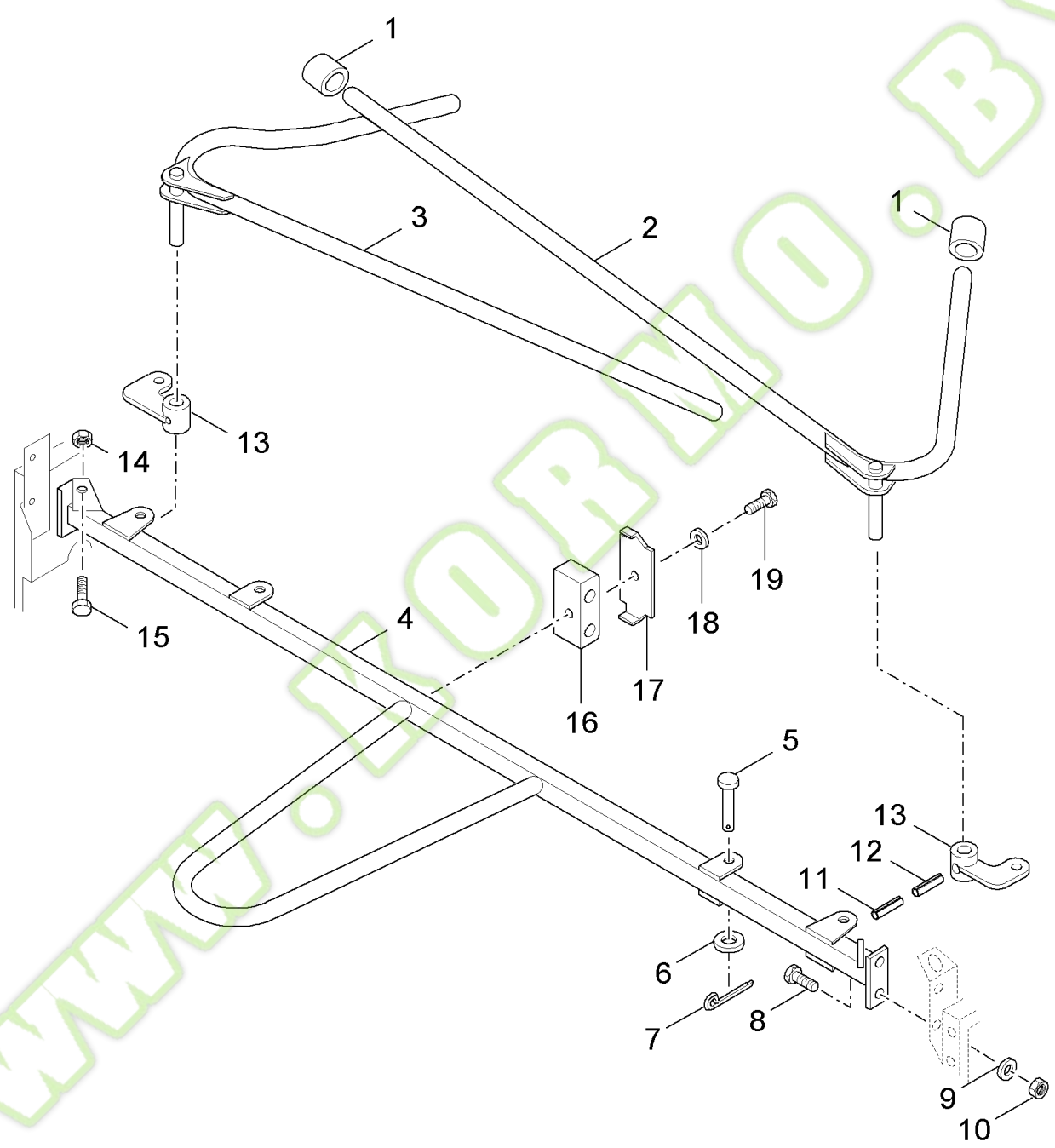
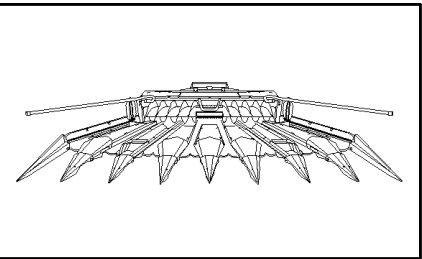


600N8 NH 8-ROW CORN HEAD FOR FX SERIES

12.302(01) MAIN FRAME

Ref	Part Number	Qty	Description
1	84038426	1	GUARD,
2	84038419	1	PLATE, RH
3	84038425	13	PLUG,
4	86517808	8	SCREW, M10x16
5	140045	8	WASHER, LOCK, {PP:80140045} Belleville, M10, 10MM
6	84038420	1	PLATE,
7	120037	6	BOLT, {PP:80120037} Short NK, M8 x 20, CI 8.8, Full Thd, M8x20
8	322358	14	WASHER, LOCK, {PP:80322358} Belleville, M8, 8MM
9	100067	AR	NUT, {PP:80100067} M8 x 1.25", CI 8, M8
10	84038424	1	PLATE, LH
11	84041255	1	SHIELD,
12	120013	AR	SCREW, {PP:80120013} Cross Pan Hd, M6 x 16, M6x16
13	322357	AR	WASHER, LOCK, {PP:80322357} Belleville, M6, Belleville, M6
14	353308	AR	NUT, {PP:80353308} M6 x 1, CI 8, M6
15	749412	2	PIN, {PP:80749412}
16	84041253	1	SHIELD,

12.303(01) CROP GUIDE

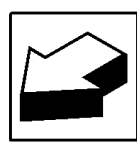
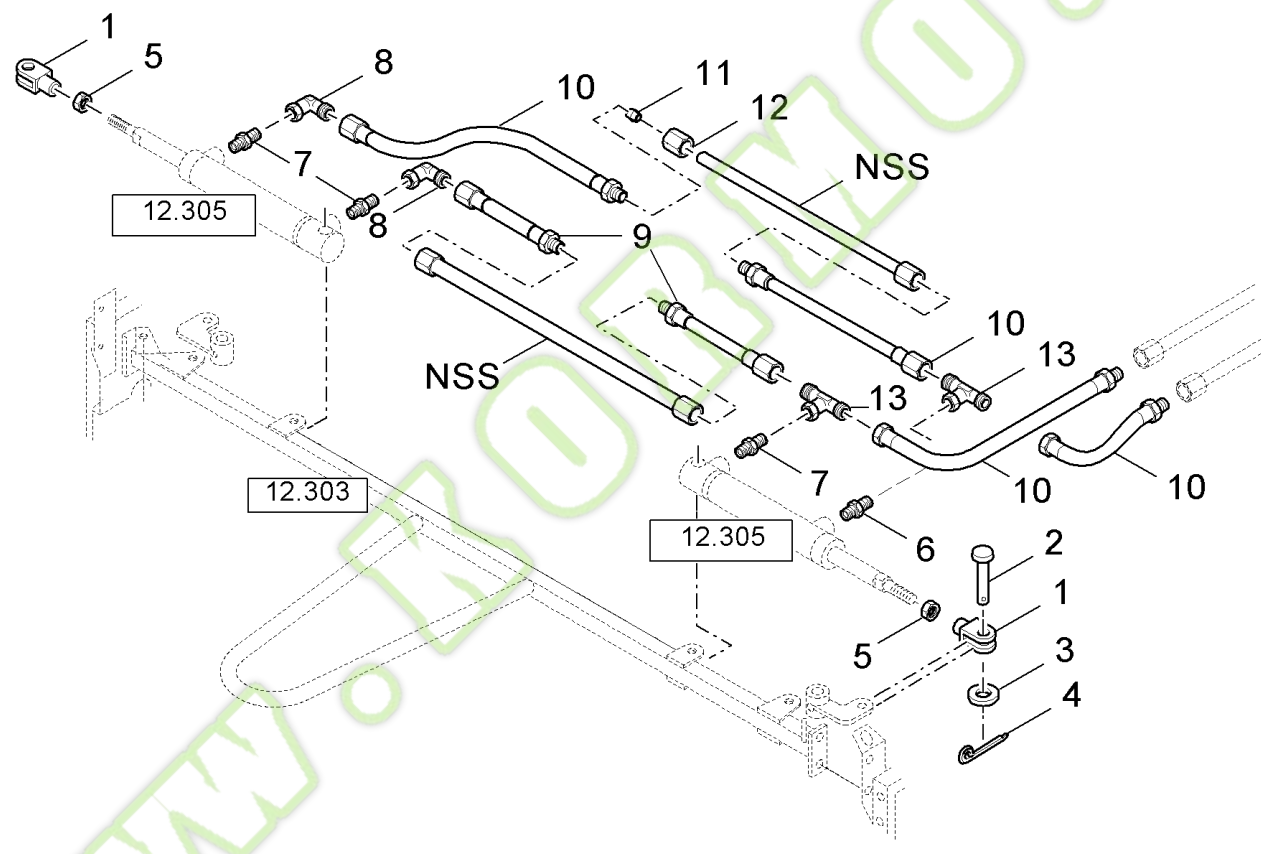
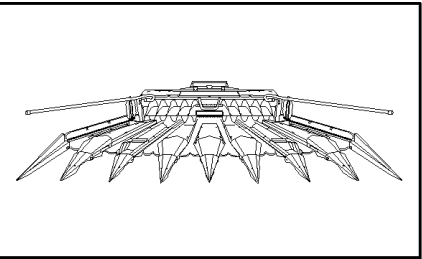


600N8 NH 8-ROW CORN HEAD FOR FX SERIES

12.303(01) CROP GUIDE

Ref	Part Number	Qty	Description
1	80749185	4	CAP, FLANGE COVER,
2	84038442	1	GUIDE, LH
3	84038435	1	GUIDE, RH
4	84038443	1	SUPPORT,
5	334198	2	PIN, LOCK, {PP:80334198}
6	9801439	2	WASHER, {PP:89801439}
7	80749441	2	PIN, SPLIT (COTTER),
8	300389	4	SCREW, {PP:80300389} Hex, M12 x 35, 8.8, Full Thd, M12x35
9	140046	4	WASHER, LOCK, {PP:80140046} Belleville, M12,
10	100038	4	NUT, LOCK, {PP:80100038} M12 x 1.75, CI 8, M12
11	80749444	2	PIN, SPLIT (COTTER),
12	80130050	2	PIN, ROLL,
13	84038432	2	LEVER,
14	100016	2	NUT, {PP:80100016} M10, CI 8, M10
15	120201	2	SCREW, {PP:80120201} Hex, M10 x 35, 8.8, Full Thd, M10x35
16	84038440	3	PAD, RUBBER,
17	84038441	3	PLATE,
18	322358	3	WASHER, LOCK, {PP:80322358} Belleville, M8,
19	300381	3	SCREW, {PP:80300381} Hex, M8 x 35, 8.8, M8x35

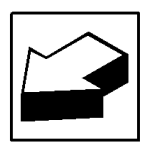
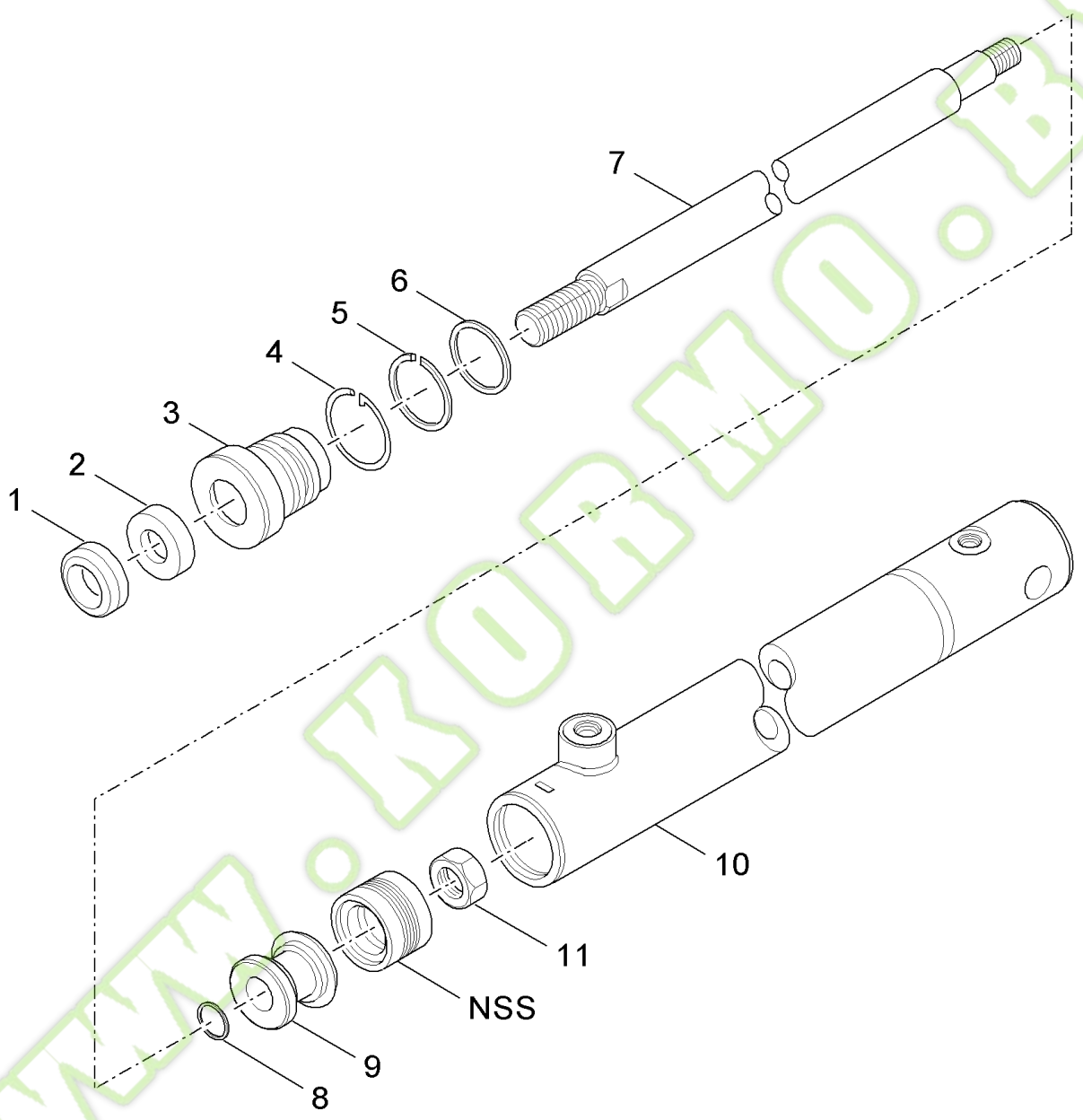
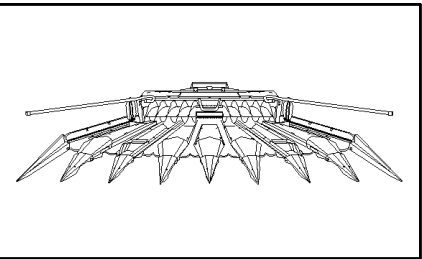
12.304(01) CROP GUIDE: HYDRAULIC



Ref	Part Number	Qty	Description
1	9811840	2	CLEVIS, {PP:89811840}
2	390089	2	SPINDLE, {PP:80390089}
3	325291	2	WASHER, {PP:80325291}
4	80749441	2	PIN, SPLIT (COTTER),
5	100095	2	NUT, {PP:80100095} Thin, M16 x 2, Cl 04, M16
6	84038445	1	CONNECTOR, HYD.,
7	84038433	4	CONNECTOR, HYD.,
8	84038434	2	ELBOW,
9	84038437	2	HOSE, FLEXIBLE,
10	84038436	4	HOSE, FLEXIBLE,
11	84038438	4	FERRULE,
12	84038439	4	NUT,
13	84038444	2	CONNECTOR, HYD.,

WWW.KORMO.BY

12.305(01) HYDRAULIC CYLINDER



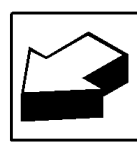
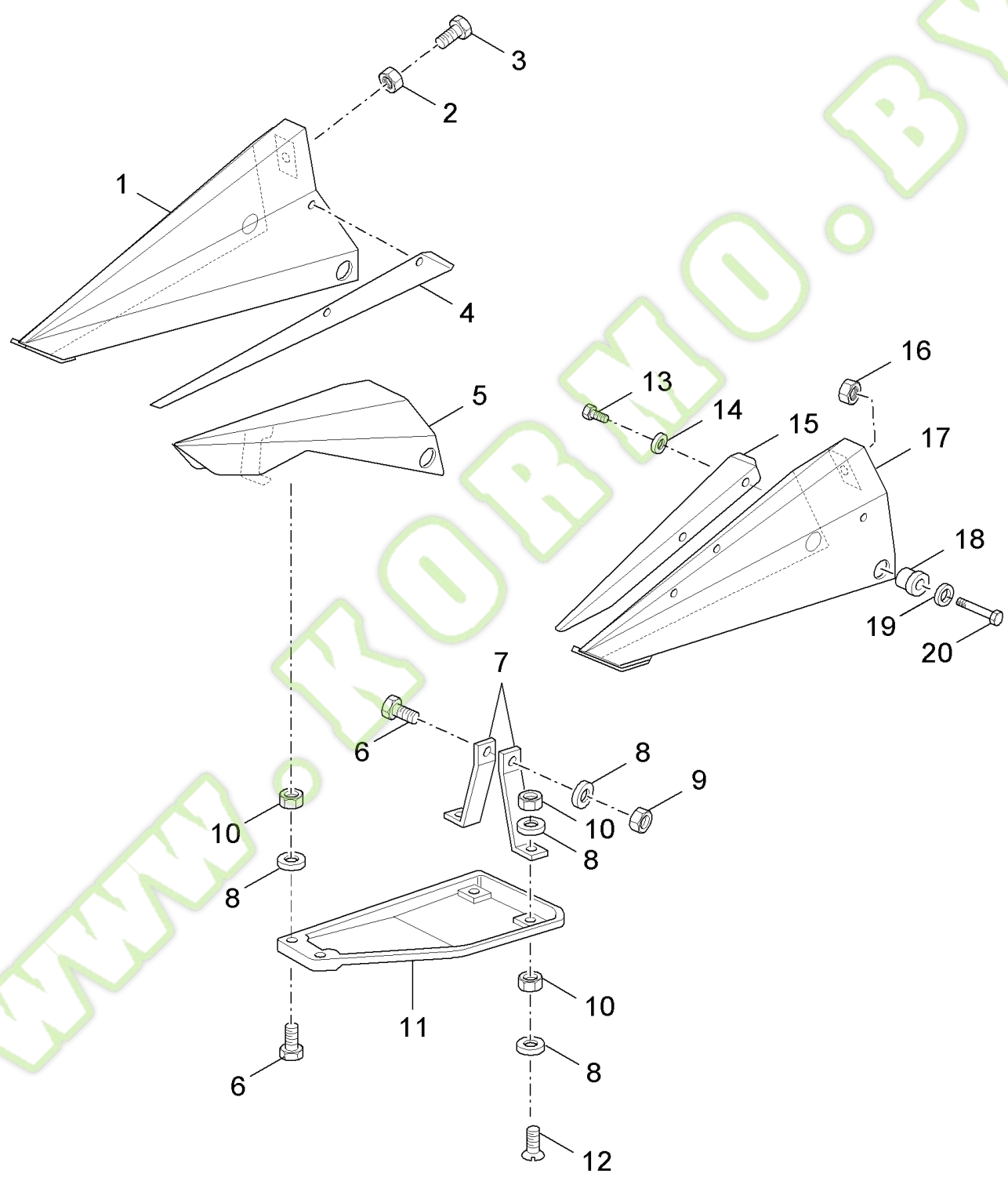
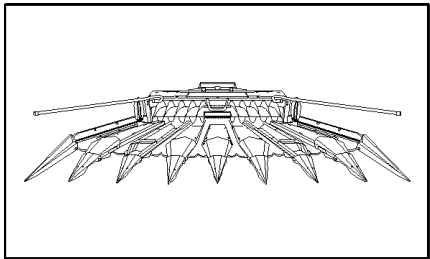
600N8 NH 8-ROW CORN HEAD FOR FX SERIES

12.305(01) HYDRAULIC CYLINDER

Ref	Part Number	Qty	Description
	84038447	1	HYDRAULIC CYLINDER, (1 TO 11)
1	84038448	1	SEAL PROTECTION,
2	84038449	1	SEAL PROTECTION,
3	84038450	1	CYLINDER HEAD,
4	84038451	1	RING,
5	84038452	1	RING,
6	84038453	1	O-RING,
7	84038454	1	ROD,
8	84038455	1	O-RING,
9	84038456	1	PISTON,
10	84038459	1	CYLINDER,
11	84038458	1	NUT,

WWW.KORMO.BY

12.306(01) DIVIDER POINTS

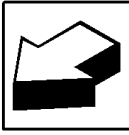
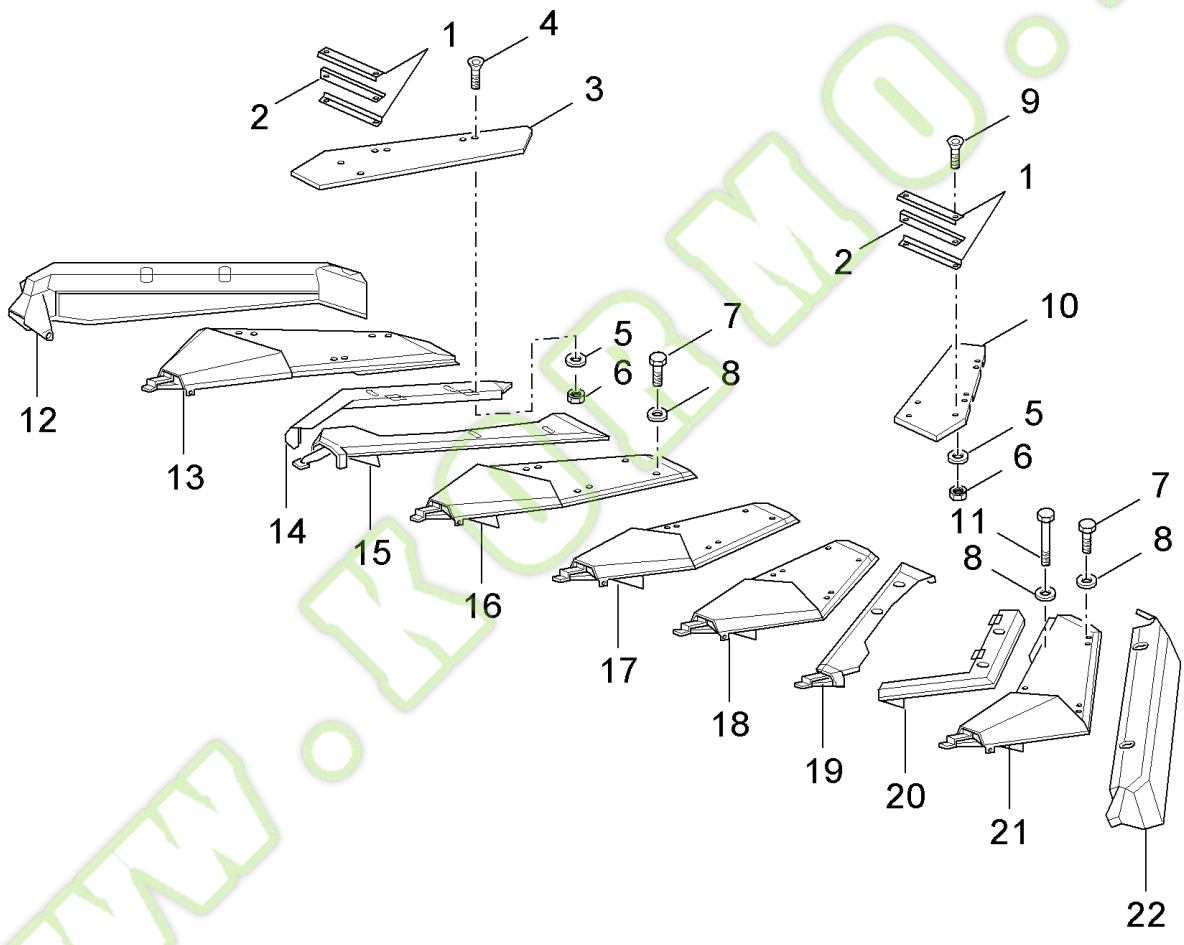
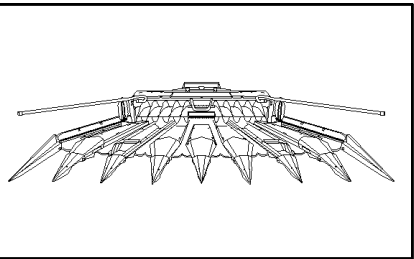


600N8 NH 8-ROW CORN HEAD FOR FX SERIES

12.306(01) DIVIDER POINTS

Ref	Part Number	Qty	Description
1	84038472	1	DIVIDER POINT,
2	337475	2	NUT, {PP:80337475} M12, CI 10, M12
3	120122	2	SCREW, {PP:80120122} Hex, M12 x 50, 8.8, Full Thd, M12x50
4	80749230	1	PLATE, STEEL,
5	80749224	7	DIVIDER,
6	120201	9	SCREW, {PP:80120201} Hex, M10 x 35, 8.8, Full Thd,
7	84038473	6	SUPPORT,
8	140045	15	WASHER, LOCK, {PP:80140045} Belleville, M10,
9	100037	3	NUT, {PP:80100037} M10 x 1.5, CI 8, M10
10	100016	12	NUT, {PP:80100016} M10, CI 8, M10
11	89507043	3	PAD, SLIDING,
12	80749455	6	SCREW, M10x30
14	322358	4	WASHER, LOCK, {PP:80322358} Belleville, M8,
15	80749229	1	PLATE, STEEL,
16	100015	4	NUT, {PP:80100015} M8, CI 8, M8
17	84038474	1	DIVIDER POINT,
18	84038475	18	SLEEVE,
19	80749442	18	WASHER,
20	84017988	18	SCREW, M12x40
13	16043224	4	SCREW, Hex, M8 x 16, 8.8, Full Thd, M8x16

12.307(01) DIVIDERS

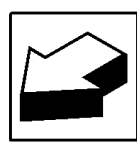
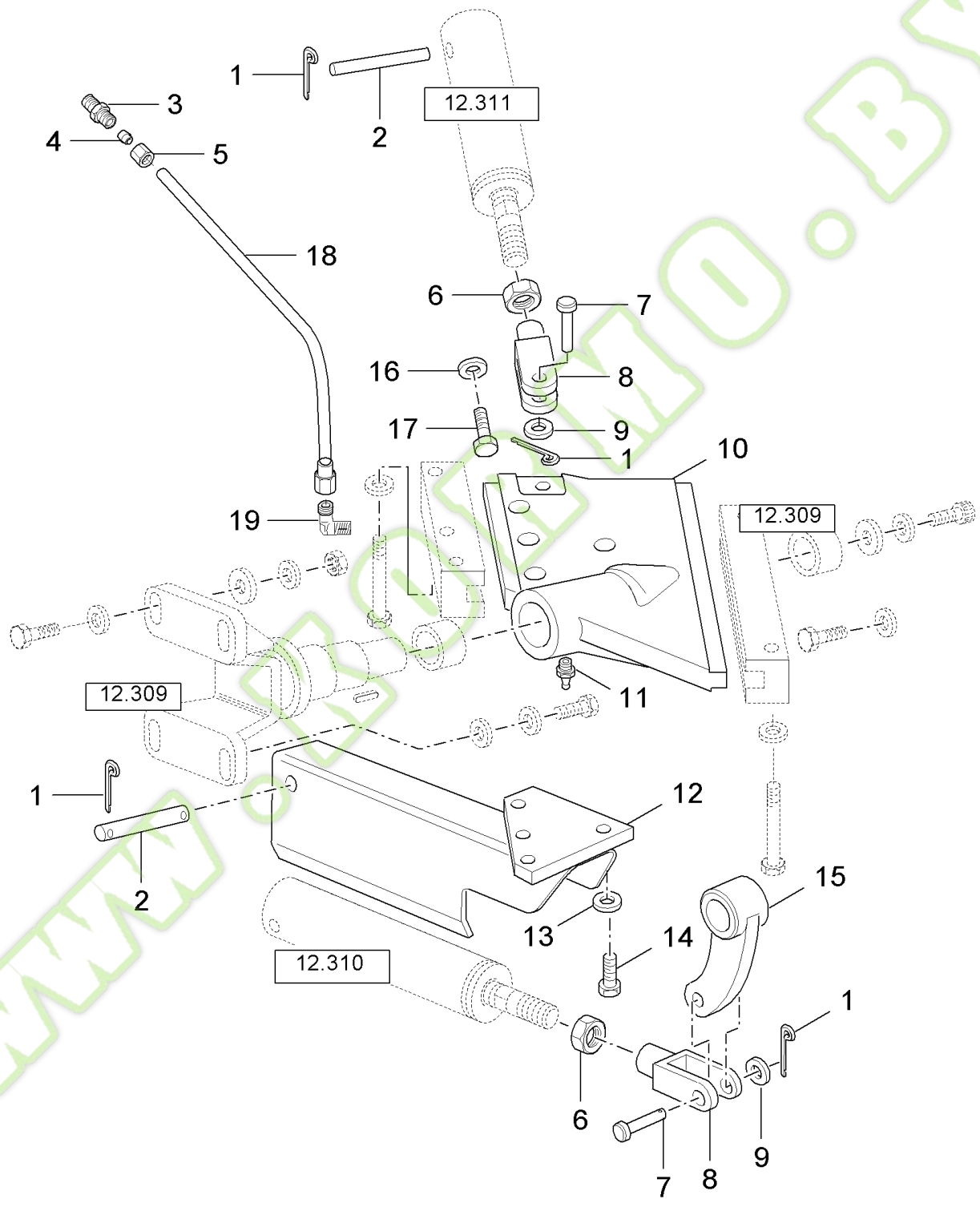
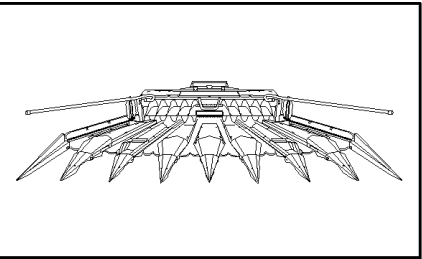


600N8 NH 8-ROW CORN HEAD FOR FX SERIES

12.307(01) DIVIDERS

Ref	Part Number	Qty	Description
1	84038476	4	BRACKET,
2	84038477	2	CANVAS,
3	84038478	1	COVER,
4	80749452	8	BOLT, M8x16
5	322358	12	WASHER, LOCK, {PP:80322358} Belleville, M8, 8MM
6	100067	12	NUT, {PP:80100067} M8 x 1.25", CI 8, M8
7	43139	50	SCREW, {PP:80043139} Hex, M10 x 25, 8.8, Full Thd, M10x25
8	140045	AR	WASHER, LOCK, {PP:80140045} Belleville, M10, 10MM
9	120037	4	BOLT, {PP:80120037} Short NK, M8 x 20, CI8.8, Full Thd, M8x20x13
10	84038479	1	COVER,
11	120116	4	SCREW, {PP:80120116} Hex, M10 x 80, 8.8, Full Thd, M10x75
12	84038480	1	DIVIDER,
13	84038481	1	DIVIDER POINT,
14	84038482	1	DIVIDER,
15	84038483	1	DIVIDER,
16	84019528	1	DIVIDER,
17	84019529	1	DIVIDER,
18	84019530	1	DIVIDER,
19	84038484	1	DIVIDER,
20	84038485	1	DIVIDER,
21	84038486	1	DIVIDER POINT,
22	84038487	1	DIVIDER,

12.308(01) HYDRAULIC LIFT SYSTEM

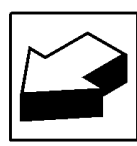
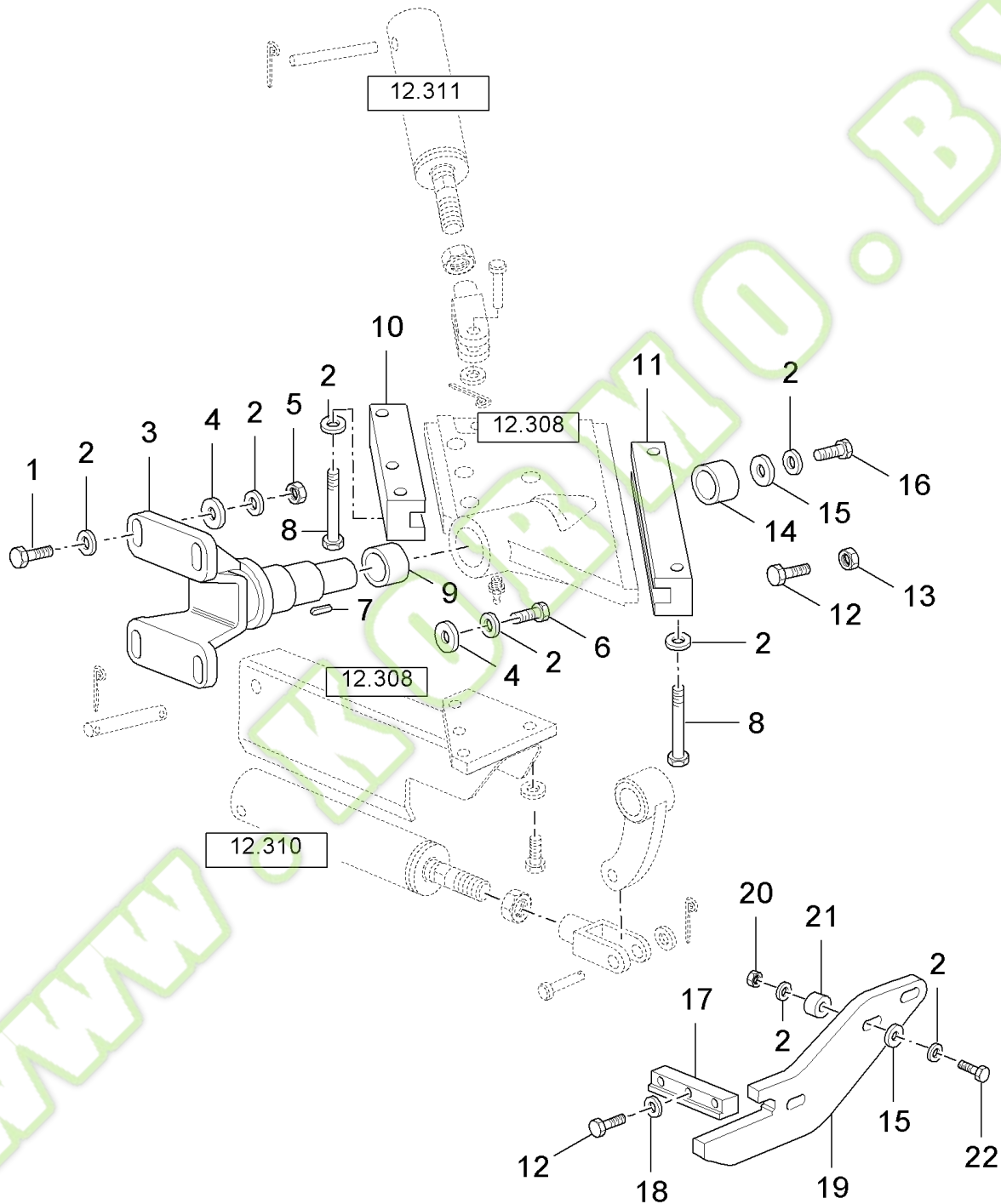
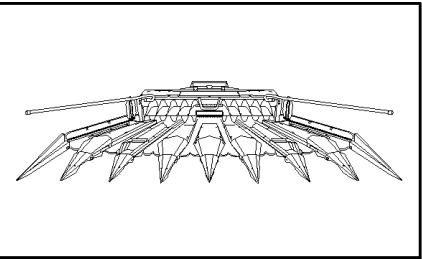


600N8 NH 8-ROW CORN HEAD FOR FX SERIES

12.308(01) HYDRAULIC LIFT SYSTEM

Ref	Part Number	Qty	Description
1	412686	12	PIN, SPLIT (COTTER), {PP:80412686} M5 x 32, 5x32
2	84038488	4	PIN,
3	80749198	4	CONNECTOR, HYD.,
4	80749201	8	FERRULE,
5	80749199	8	CONNECTOR, HYD.,
6	62275	4	NUT, {PP:80062275} Thin, M20x 2.5, CI 04, M20
7	84038495	4	PIN,
8	84038496	4	YOKE,
9	84038497	4	WASHER,
10	84038489	1	SUPPORT, LH
10	84038490	1	SUPPORT, RH
11	300919	8	NIPPLE, LUBE, {PP:80300919}
12	84038501	1	GUIDE, LH
12	84038502	1	GUIDE, RH
13	140046	8	WASHER, LOCK, {PP:80140046} Belleville, M12, 12MM
14	300389	8	SCREW, {PP:80300389} Hex, M12 x 35, 8.8, Full Thd, M12x35
15	84038503	2	LEVER,
16	100015	6	NUT, {PP:80100015} M8, CI 8, M8
17	120112	2	SCREW, {PP:80120112} Hex, M10 x 40, 8.8, Full Thd, M10x40
18	80749400	1	TUBE,
19	84038492	4	ELBOW,

12.309(01) HYDRAULIC LIFT SYSTEM

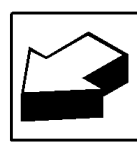
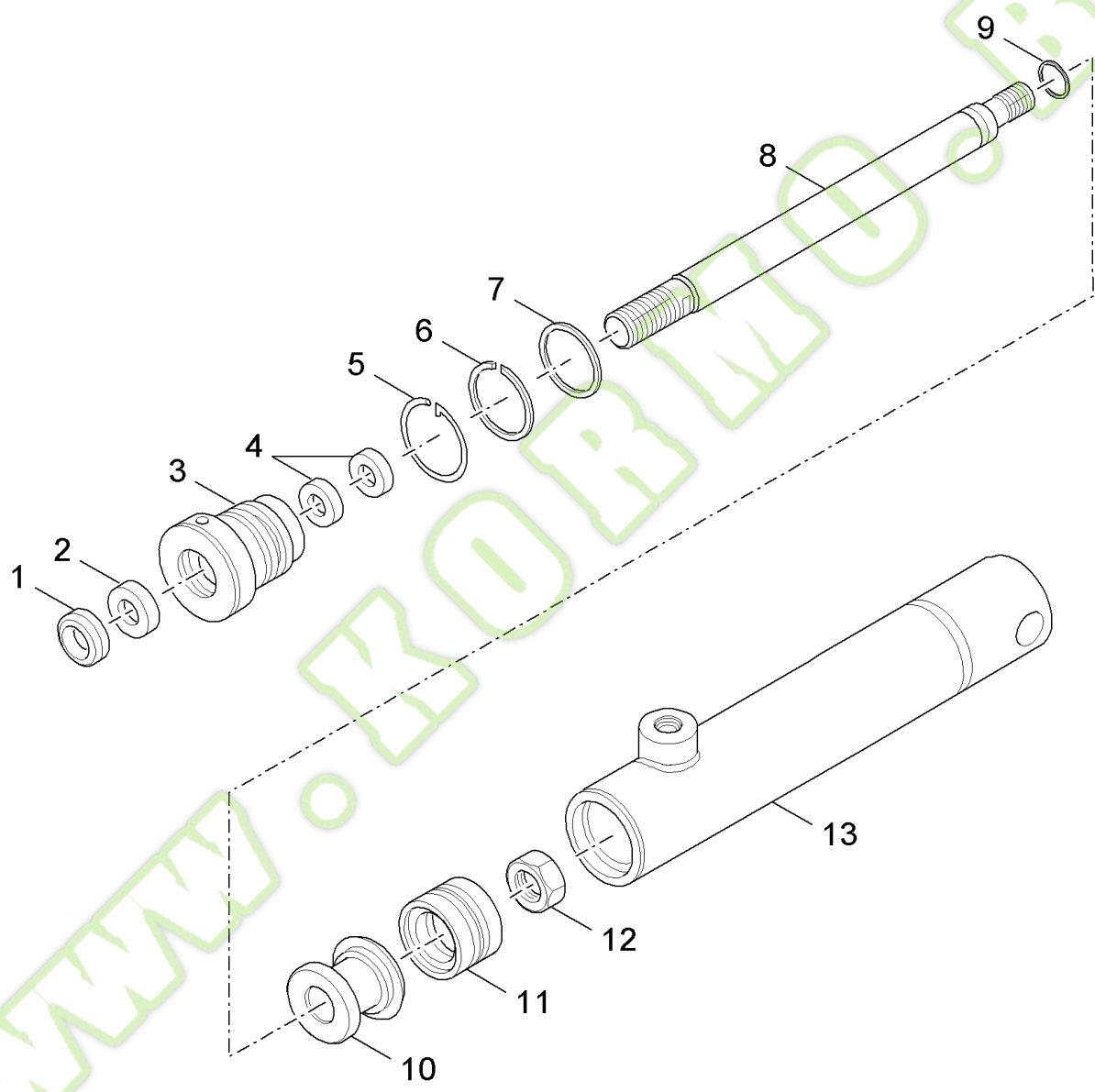
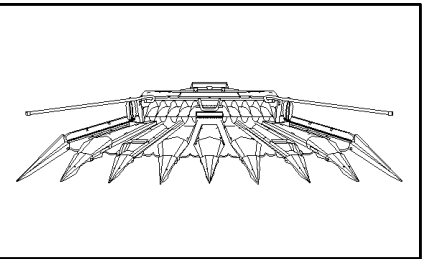


600N8 NH 8-ROW CORN HEAD FOR FX SERIES

12.309(01) HYDRAULIC LIFT SYSTEM

Ref	Part Number	Qty	Description
1	323866	4	SCREW, {PP:80323866} Hex, M16 x 60, 8.8, Hex, M16 x 60, 8.8
2	140048	AR	WASHER, LOCK, {PP:80140048} Belleville, M16, 16MM
3	84038498	2	SHAFT,
4	84038491	8	WASHER,
5	100039	4	NUT, {PP:80100039} M16 x 2, Cl 8,
6	385922	4	SCREW, {PP:80385922} Hex, M16 x 45, 8.8, Hex, M16 x 45, 8.8
7	84038500	2	KEY,
8	120092	10	SCREW, {PP:80120092} Hex, M16 x 70, 8.8, Hex, M16 x 70, 8.8
9	84038493	2	SLEEVE,
10	84038494	2	GUIDE,
11	84038504	2	GUIDE,
12	43140	10	BOLT, {PP:80043140} Hex, M10 x 30, 8.8, M10x30
13	100015	AR	NUT, {PP:80100015} M8, Cl 8, M8
14	84038499	2	SLEEVE,
15	437023	8	WASHER, {PP:80437023}
16	80749423	2	BOLT, M16x35
17	84038506	2	STOP,
18	140045	AR	WASHER, LOCK, {PP:80140045} Belleville, M10,
19	84038507	2	SUPPORT,
20	100039	6	NUT, {PP:80100039} M16 x 2, Cl 8, M16
21	84038505	6	BEARING, CAMSHAFT,
22	120039	6	BOLT, {PP:80120039} Short NK, M8 x 50, Cl8.8, Full Thd, M16x80

12.310(01) HYDRAULIC CYLINDER



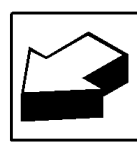
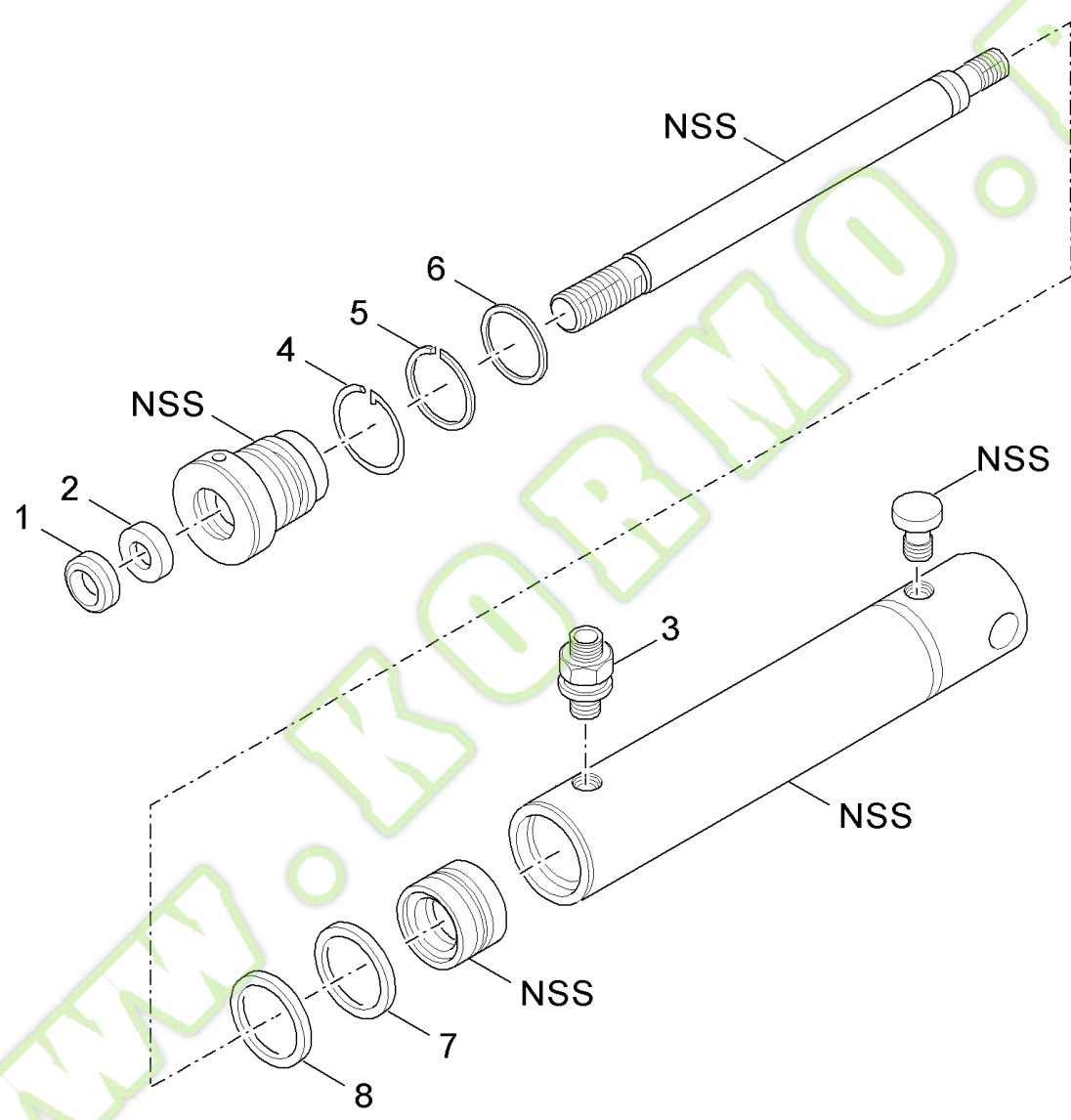
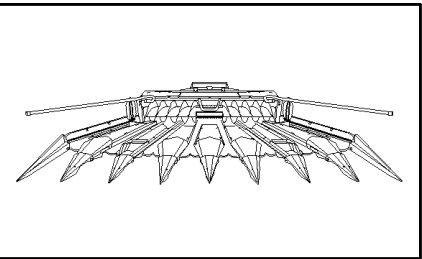
600N8 NH 8-ROW CORN HEAD FOR FX SERIES

12.310(01) HYDRAULIC CYLINDER

Ref	Part Number	Qty	Description
	84038510	1	HYDRAULIC CYLINDER, (1 TO 13)
1	84038511	1	SEAL PROTECTION,
2	84038512	1	SEAL PROTECTION,
3	84038513	1	CYLINDER HEAD,
4	84038514	2	RING,
5	84038515	1	RING,
6	84038385	1	RING,
7	84038516	1	O-RING,
8	84038517	1	ROD,
9	84038518	1	O-RING,
10	84038519	1	PISTON,
11	84038520	1	SEAL PROTECTION,
12	84038521	1	NUT,
13	84038522	1	CYLINDER,

WWW.KORMO.BY

12.311(01) HYDRAULIC CYLINDER

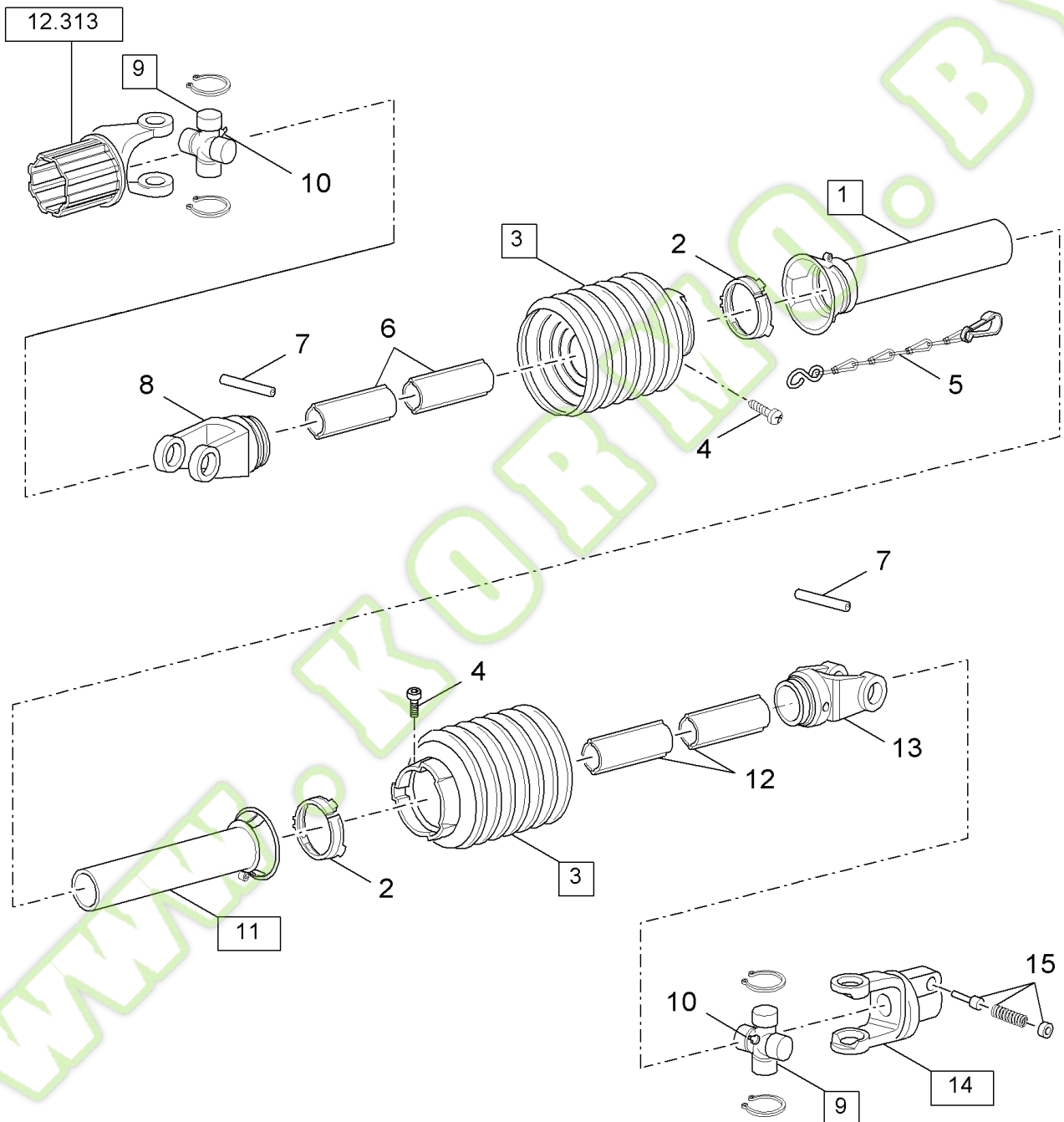
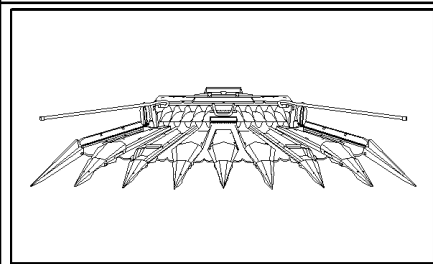


12.311(01) HYDRAULIC CYLINDER

Ref	Part Number	Qty	Description
	84041259	1	HYDRAULIC CYLINDER, (1 TO 8)
1	84038511	1	SEAL PROTECTION,
2	84038512	1	SEAL PROTECTION,
3	84038433	2	CONNECTOR, HYD.,
4	84038515	1	RING,
5	84038385	1	RING,
6	84038516	1	O-RING,
7	84041271	1	RING,
8	84041270	1	RING,

WWW.KORMO.BY

12.312(01) POWER TAKE-OFF

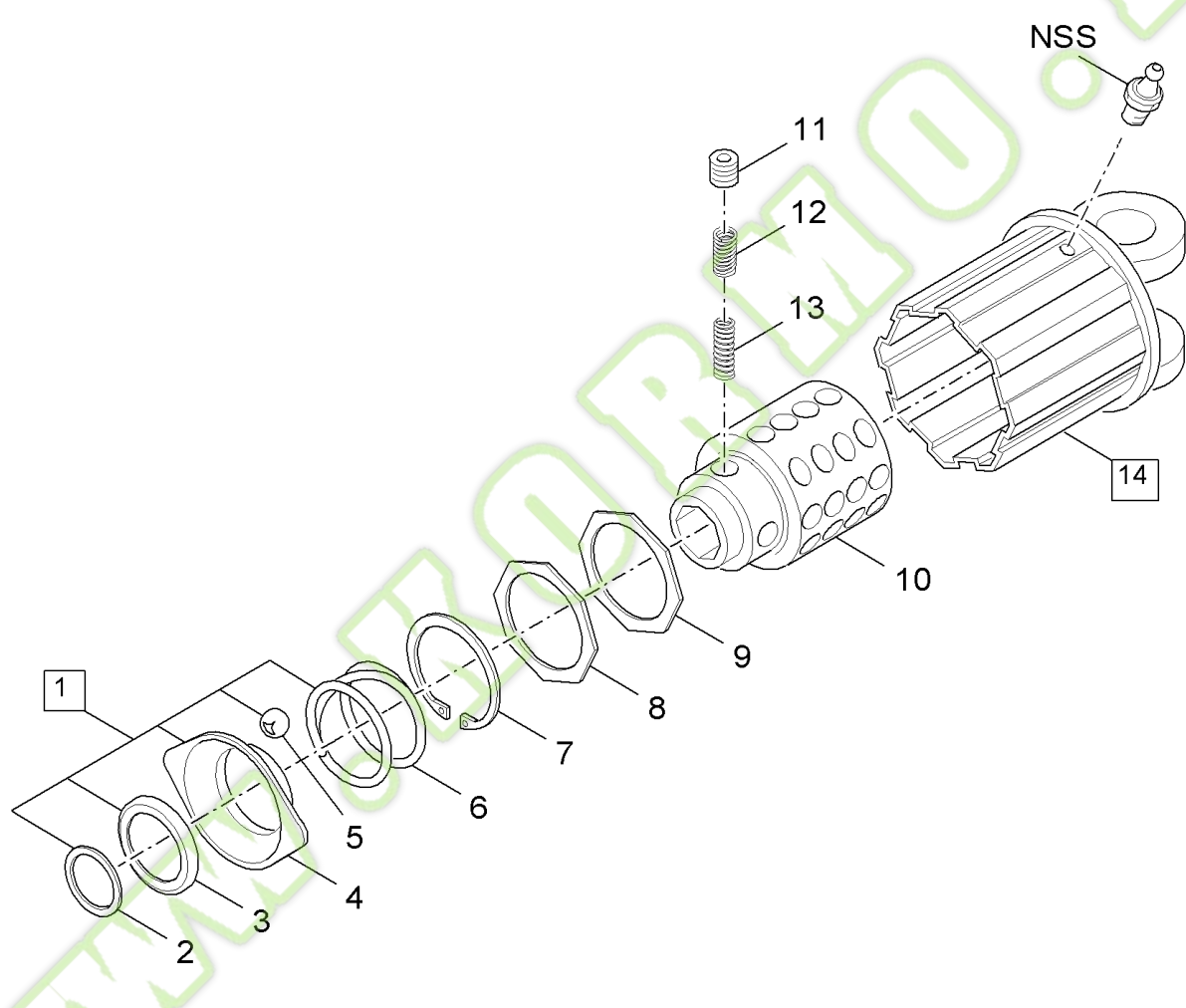
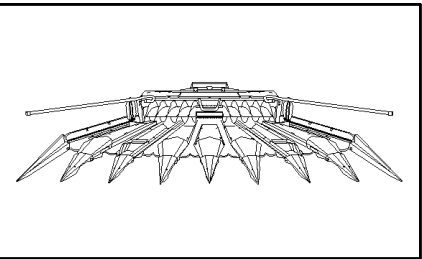


600N8 NH 8-ROW CORN HEAD FOR FX SERIES

12.312(01) POWER TAKE-OFF

Ref	Part Number	Qty	Description
	84041261	1	SHAFT, PTO, , Incl.refs. 1 to 15 and group 12.313
	84043574	1	SHAFT, PTO, Half, Incl.refs. 1 to10 and group 12.313
	84043575	1	SHAFT, PTO, Half, Incl.refs. 9,11 to 15,17
1	84043576	1	SHIELD, (2 TO 4)
2	411728	2	RING, {PP:80411728}
3	84043580	2	SHIELD, (4)
4	321803	2	BOLT, {PP:80321803} Cross Pan Hd, M4 x 10, M4x10
5	379650	1	CHAIN, {PP:80379650}
6	448881	1	SHAFT, PROPELLOR, {PP:80448881}
7	412176	2	PIN, SPLIT (COTTER), {PP:80412176} M10 x 85, Slotted,
8	734185	1	YOKE, {PP:80734185}
9	734264	2	SPIDER, {PP:80734264} (10)
10	150024	2	NIPPLE, LUBE, {PP:80150024}
11	84014288	1	SHIELD, (2 TO 4)
12	84043579	1	SHAFT, PROPELLOR,
13	734265	1	YOKE, {PP:80734265}
14	84043578	1	YOKE, (15)
15	744051	1	KIT, {PP:80744051}

12.313(01) CLUTCH



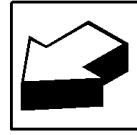
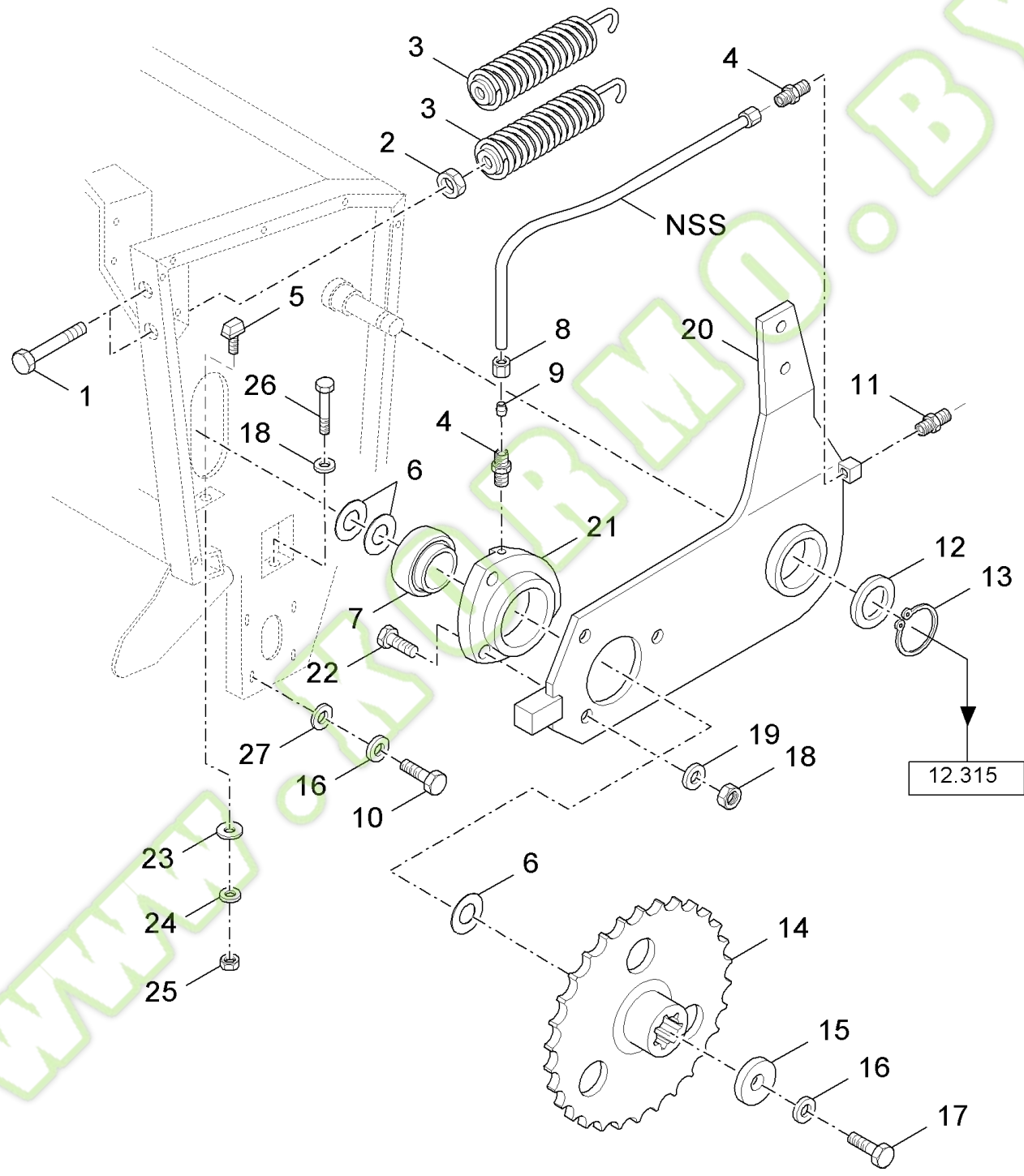
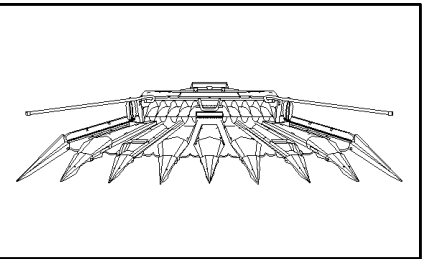
600N8 NH 8-ROW CORN HEAD FOR FX SERIES

12.313(01) CLUTCH

Ref	Part Number	Qty	Description
	84043577	1	CLUTCH, (1 TO 14)
1	84032029	1	KIT, (2 TO 6)
2	386501	1	RING, {PP:80386501}
3	561352	1	WASHER, {PP:80561352}
4	556933	1	CLIP, HOSE, {PP:80556933}
5	386512	1	BALL, {PP:80386512}
6	556669	1	SPRING, {PP:80556669}
7	80300633	1	RING, SNAP,
8	411960	1	RING, {PP:80411960}
9	411959	1	RING, {PP:80411959}
10	84032027	1	HUB,
11	386509	32	CAM, {PP:80386509}
12	386510	32	SPRING, {PP:80386510}
13	386511	29	SPRING, {PP:80386511}
14	84043581	1	HOUSING,

WWW.KORMO.BY

12.314(01) FEEDER AUGER DRIVE

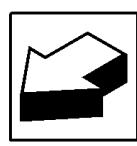
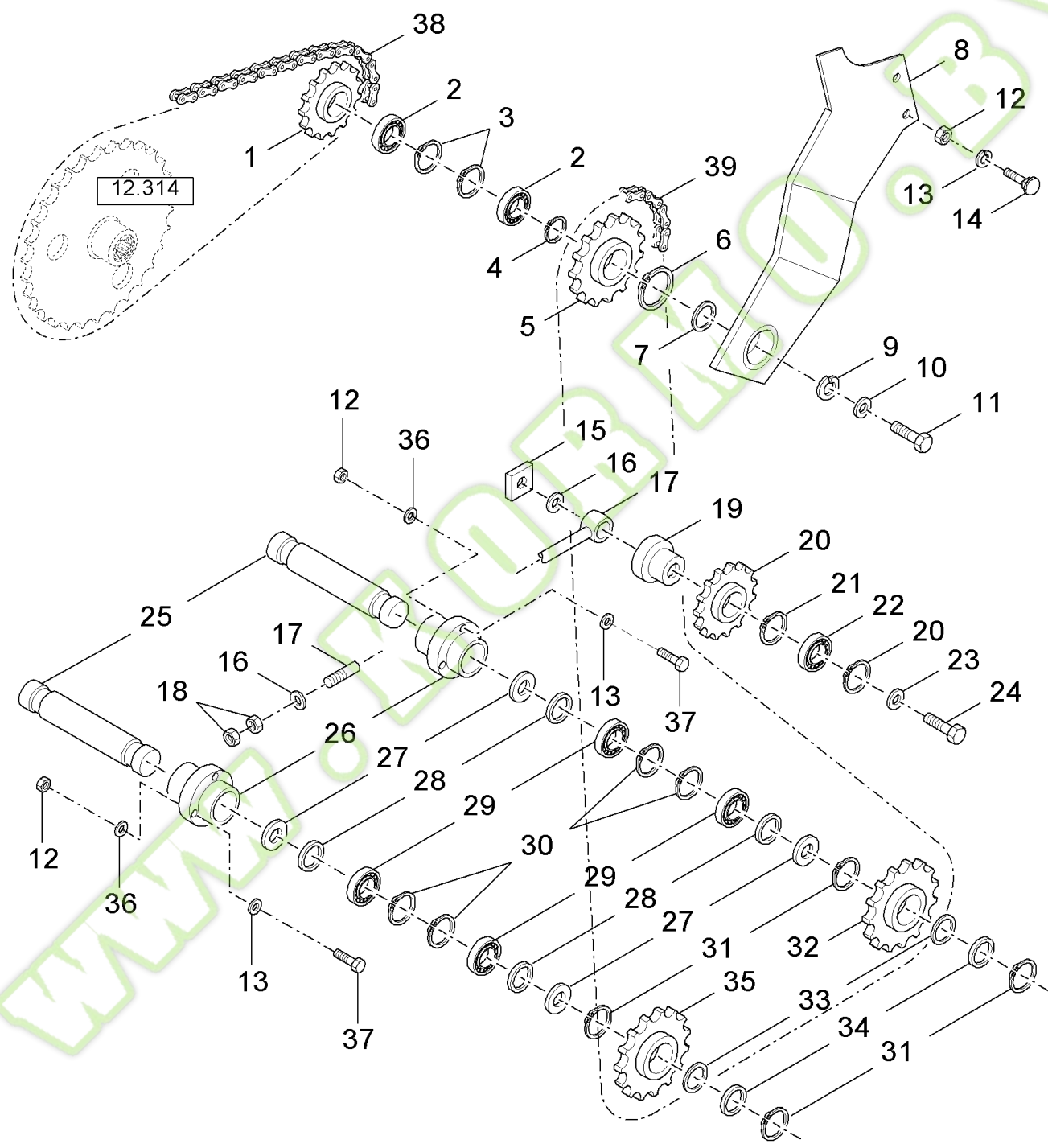
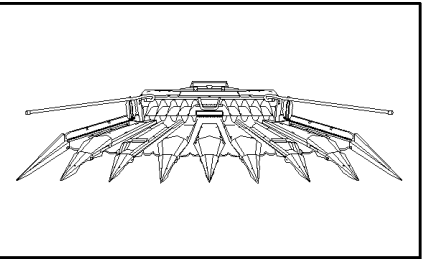


600N8 NH 8-ROW CORN HEAD FOR FX SERIES

12.314(01) FEEDER AUGER DRIVE

Ref	Part Number	Qty	Description
1	86507067	2	SCREW, Hex, M12 x 110, 8.8, M12x110
2	337475	2	NUT, {PP:80337475} M12, CI 10, M12
3	80749374	2	SPRING,
4	80749198	2	CONNECTOR, HYD.,
5	89507082	2	INSULATOR BLOCK,
6	84038538	3	PLATE, ADJUSTING,
7	84041642	1	BEARING ASSY,
8	80749199	2	CONNECTOR, HYD.,
9	80749201	2	FERRULE,
10	89509035	4	BOLT, M12x30
11	300919	1	NIPPLE, LUBE, {PP:80300919}
12	80749462	2	PLATE, ADJUSTING,
13	327911	1	CIRCLIP, {PP:80327911}
14	84011412	1	SPROCKET, DRIVEN, Z=37T
15	80749418	1	WASHER,
16	140046	5	WASHER, LOCK, {PP:80140046} Belleville, M12,
17	300389	1	SCREW, {PP:80300389} Hex, M12 x 35, 8.8, Full Thd,
18	100016	4	NUT, {PP:80100016} M10, CI 8,
19	140045	3	WASHER, LOCK, {PP:80140045} Belleville, M10,
20	84019548	1	ARM,
21	84011411	1	HUB,
22	120201	3	SCREW, {PP:80120201} Hex, M10 x 35, 8.8, Full Thd,
23	84038539	2	WASHER,
24	322358	2	WASHER, LOCK, {PP:80322358} Belleville, M8,
25	100015	2	NUT, {PP:80100015} M8, CI 8,
26	86977775	1	SCREW, Hex, M10 x 60, 8.8, Full Thd,
27	80749426	1	WASHER, 12MM

12.315(01) FEEDER AUGER DRIVE



600N8 NH 8-ROW CORN HEAD FOR FX SERIES

12.315(01) FEEDER AUGER DRIVE

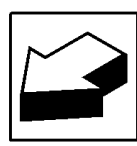
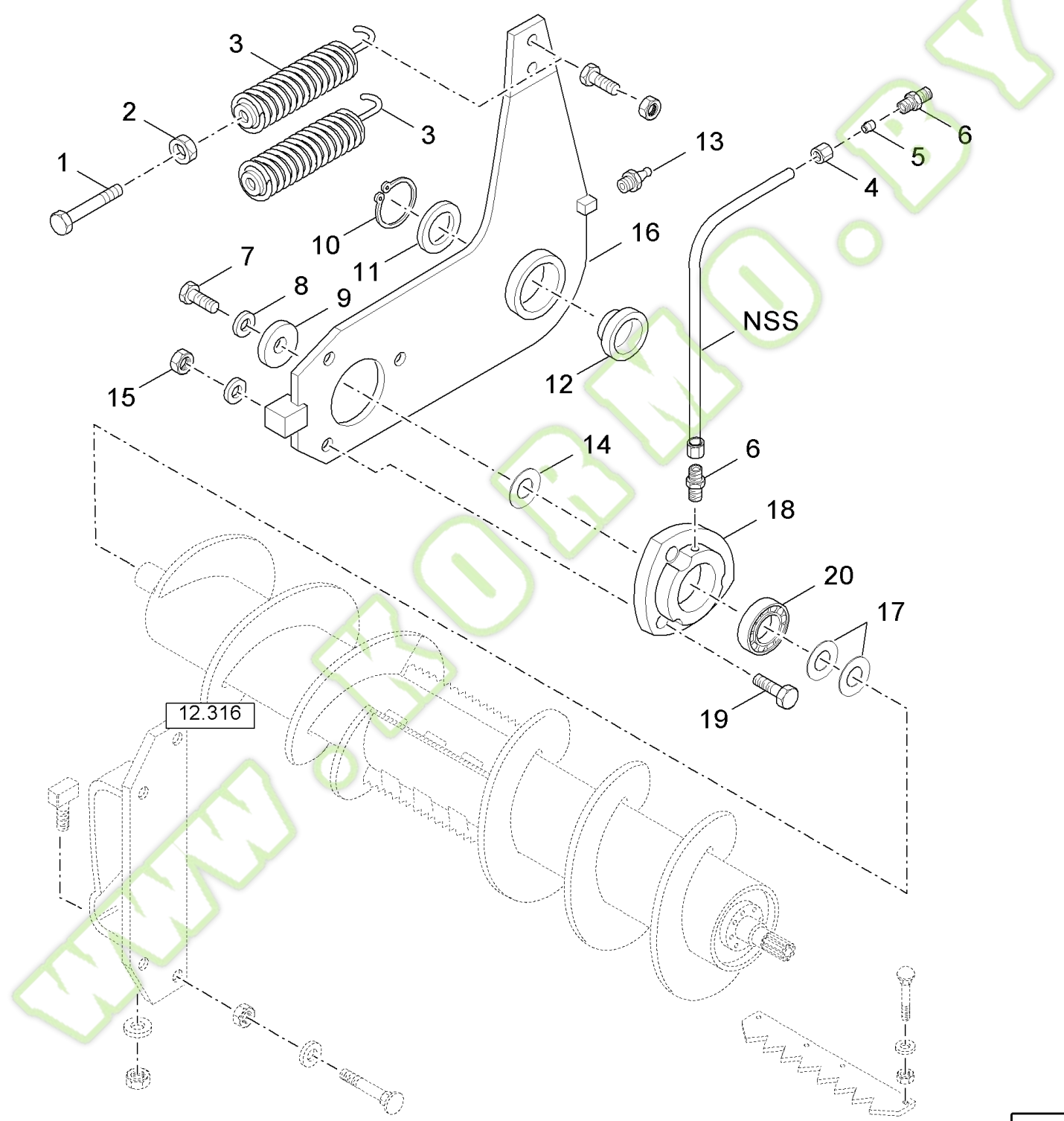
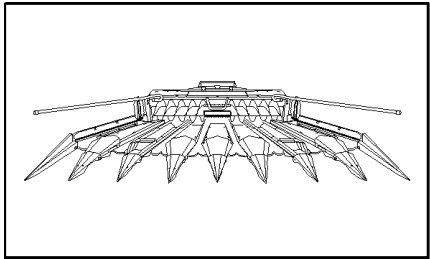
Ref	Part Number	Qty	Description
1	84041643	1	SPROCKET, DRIVEN, Z=13T
2	210043	2	BEARING ASSY, {PP:80210043}
3	370012	2	CIRCLIP, {PP:80370012}
4	370003	1	CIRCLIP, {PP:80370003}
5	84041254	1	SPROCKET, DRIVEN, Z=25
5	84041256	1	SPROCKET, DRIVEN, Z=20
6	84012035	1	CIRCLIP,
7	748212	1	PLATE, ADJUSTING, {PP:80748212}
8	84041258	1	SUPPORT,
9	84014353	1	WASHER, LOCK,
10	140045	1	WASHER, LOCK, {PP:80140045} Belleville, M10, 12MM
11	385376	1	SCREW, {PP:80385376} M12x30
12	100038	11	NUT, LOCK, {PP:80100038} M12 x 1.75, CI 8, M12
13	140046	11	WASHER, LOCK, {PP:80140046} Belleville, M12, 12MM
14	89509046	3	BOLT, M12x30
15	84011416	1	PLATE,
16	49637	2	WASHER, {PP:80049637}
17	84011399	1	BOLT, M16x260x210
18	100020	2	NUT, {PP:80100020} M16, CI 8, M16, CI 8
19	84011415	1	RING,
20	84011413	1	WHEEL, IDLER,
21	370011	2	CIRCLIP, {PP:80370011}
22	443898	1	BEARING ASSY, {PP:80443898}
23	80379543	1	PIN,
24	120093	1	SCREW, {PP:80120093} Hex, M16 x 80, 8.8, Hex, M16 x 80, 8.8
25	84041263	2	SHAFT,
26	84041262	2	FLANGE,
27	80749436	4	WASHER,
28	84041641	4	RING,
29	320557	4	BEARING ASSY, {PP:80320557}
30	80300633	4	RING, SNAP,
31	440441	4	CIRCLIP, {PP:80440441}
32	84041257	1	SPROCKET, DRIVEN, Z=20T
32	84041264	1	SPROCKET, DRIVEN, Z=15T
33	80749437	2	PLATE, ADJUSTING,
34	378090	2	RING, {PP:80378090}
35	84041265	1	SPROCKET, DRIVEN, Z=29T
36	80749426	8	WASHER,
37	614-12045	8	BOLT, {PP:84015507} Hex, M12 x 45, 8.8, M12x45
38	80749189	1	CHAIN,
39	84041266	1	CHAIN,

600N8 NH 8-ROW CORN HEAD FOR FX SERIES

12.316(01) FEEDER AUGER

Ref	Part Number	Qty	Description
1	84038540	1	AUGER,
2	80120042	16	BOLT, M10x30
3	84019550	4	PLATE,
4	140045	AR	WASHER, LOCK, {PP:80140045} Belleville, M10, 10MM
5	100037	20	NUT, {PP:80100037} M10 x 1.5, CI 8, M10
6	89507053	1	STOP,
7	89507082	2	INSULATOR BLOCK,
8	322358	2	WASHER, LOCK, {PP:80322358} Belleville, M8, 8MM
9	84038539	2	WASHER,
10	338949	4	SCREW, {PP:80338949} Short NK, M10 x 25, CI8.8, Full Thd, M10x25
11	100015	2	NUT, {PP:80100015} M8, CI 8, M8
12	84056317	4	PLATE,

12.317(01) FEEDER AUGER

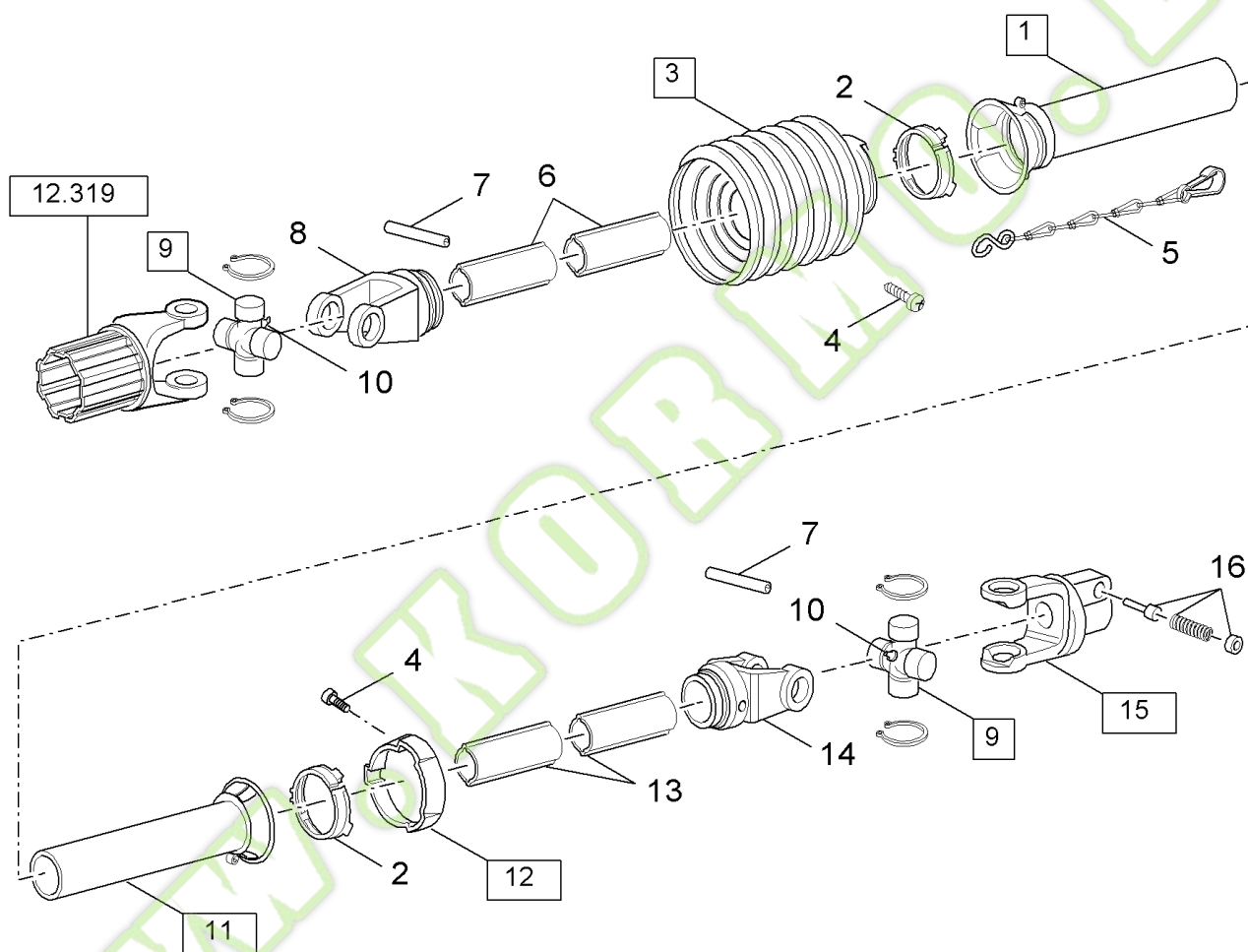
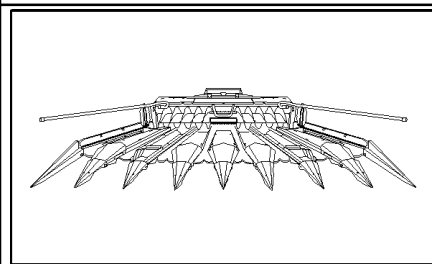


600N8 NH 8-ROW CORN HEAD FOR FX SERIES

12.317(01) FEEDER AUGER

Ref	Part Number	Qty	Description
1	86507067	2	SCREW, Hex, M12 x 110, 8.8, M12x110
2	337475	2	NUT, {PP:80337475} M12, CI 10, M12
3	80749374	2	SPRING,
4	80749199	2	CONNECTOR, HYD.,
5	80749201	2	FERRULE,
6	80749198	2	CONNECTOR, HYD.,
7	300389	1	SCREW, {PP:80300389} Hex, M12 x 35, 8.8, Full Thd, M12x35
8	140046	1	WASHER, LOCK, {PP:80140046} Belleville, M12,
9	80749418	1	WASHER,
10	327911	1	CIRCLIP, {PP:80327911}
11	80749462	AR	PLATE, ADJUSTING,
12	80749183	1	RING,
13	300919	1	NIPPLE, LUBE, {PP:80300919}
14	84038537	AR	PLATE, ADJUSTING,
15	100016	3	NUT, {PP:80100016} M10, CI 8, M10
16	84019549	1	ARM, LH
17	84038538	AR	PLATE, ADJUSTING,
18	84011411	1	HUB,
19	120201	3	SCREW, {PP:80120201} Hex, M10 x 35, 8.8, Full Thd, M10x35
20	84041642	1	BEARING ASSY,

12.318(01) POWER TAKE-OFF

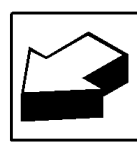
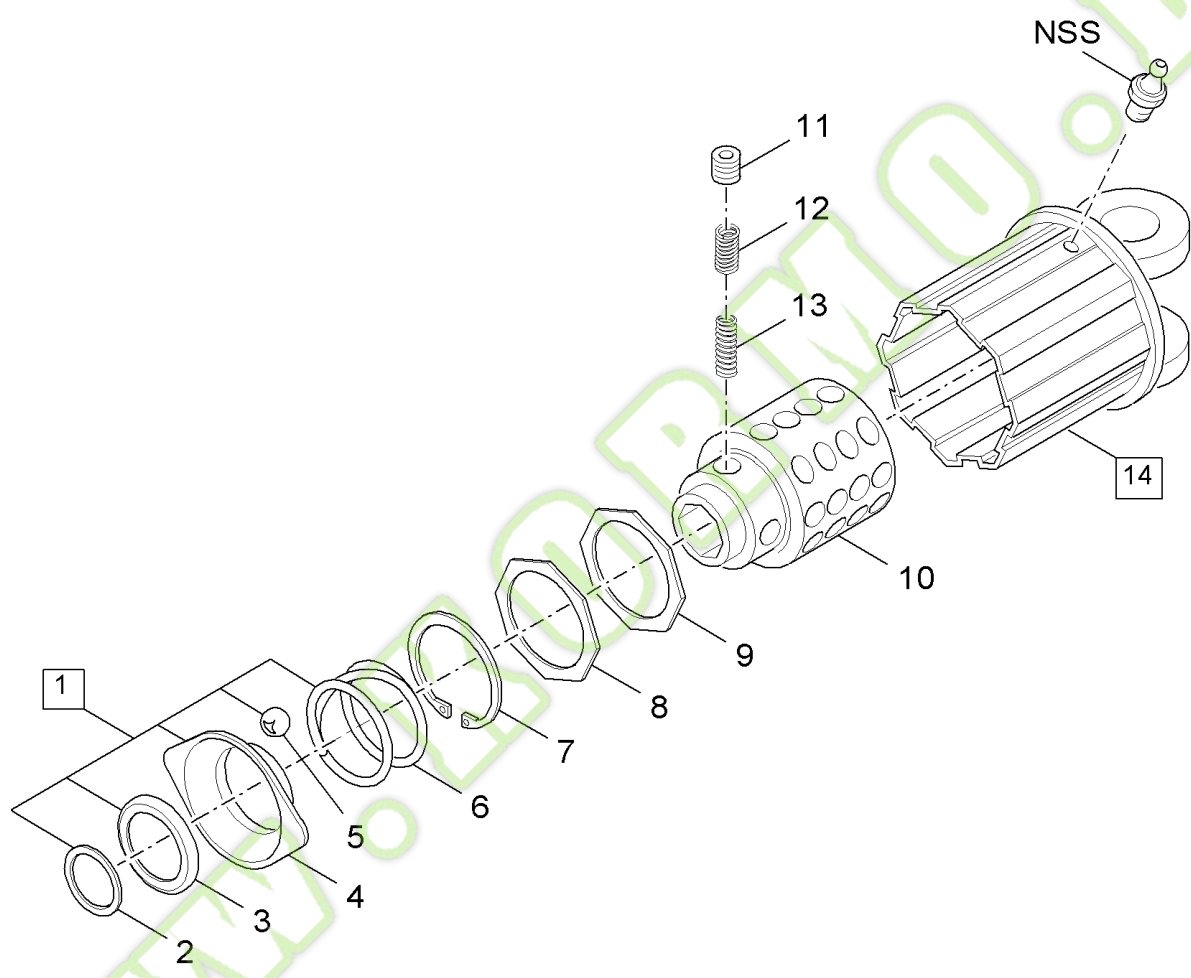
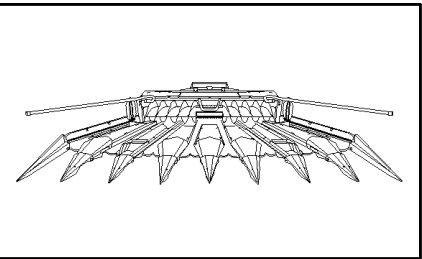


600N8 NH 8-ROW CORN HEAD FOR FX SERIES

12.318(01) POWER TAKE-OFF

Ref	Part Number	Qty	Description
	84041260	1	SHAFT, PTO, , Incl.refs. 1 to 16 and group 12.319
	84043568	1	SHAFT, PTO, Half, Incl.refs. 1 to 10 and group 12.319
	84043569	1	SHAFT, PTO, Half, Incl.refs. 2,9,11 to 16
1	84043570	1	SHIELD, (2 TO 4)
2	728164	2	RING, {PP:80728164}
3	84043573	1	SHIELD, (4)
4	321803	2	BOLT, {PP:80321803} Cross Pan Hd, M4 x 10, M4x10
5	379650	1	CHAIN, {PP:80379650}
6	80439042	1	TUBE,
7	412690	2	PIN, LOCK, {PP:80412690} M10 x 65, Slotted,
8	727163	1	YOKE, {PP:80727163}
9	418936	2	SPIDER, {PP:80418936} (10)
10	150024	2	NIPPLE, LUBE, {PP:80150024}
11	84043571	1	SHIELD, (2,12)
12	750487	1	RING, {PP:80750487} (4)
13	440513	1	TUBE, {PP:80440513}
14	727164	1	YOKE, {PP:80727164}
15	440516	1	YOKE, {PP:80440516}
16	744051	1	KIT, {PP:80744051}

12.319(01) CLUTCH



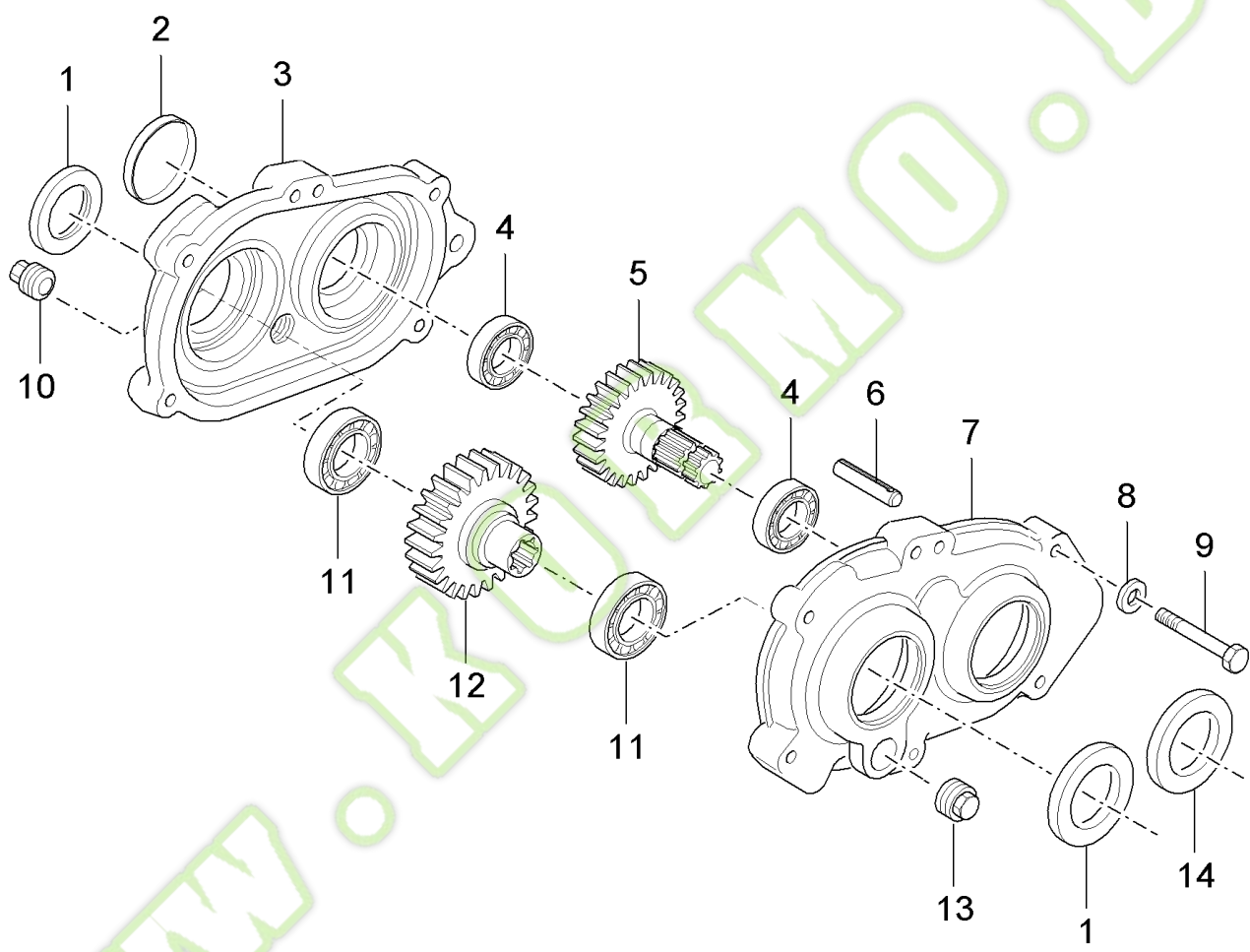
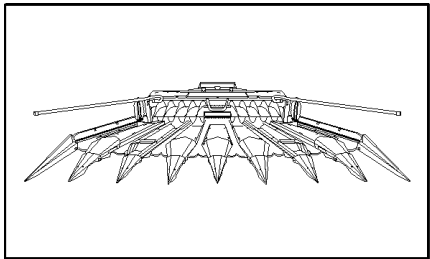
600N8 NH 8-ROW CORN HEAD FOR FX SERIES

12.319(01) CLUTCH

Ref	Part Number	Qty	Description
	84043572	1	CLUTCH, (1 TO 14)
1	84032029	1	KIT, (2 TO 6)
2	386501	1	RING, {PP:80386501}
3	561352	1	WASHER, {PP:80561352}
4	556933	1	CLIP, HOSE, {PP:80556933}
5	386512	3	BALL, {PP:80386512}
6	556669	1	SPRING, {PP:80556669}
7	80300633	1	RING, SNAP,
8	411960	1	RING, {PP:80411960}
9	411959	1	RING, {PP:80411959}
10	84032027	1	HUB,
11	386509	32	CAM, {PP:80386509}
12	386510	32	SPRING, {PP:80386510}
13	386511	22	SPRING, {PP:80386511}
14	84032026	1	HOUSING,

WWW.KORMO.BY

12.320(01) SPUR GEARBOX

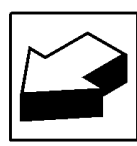
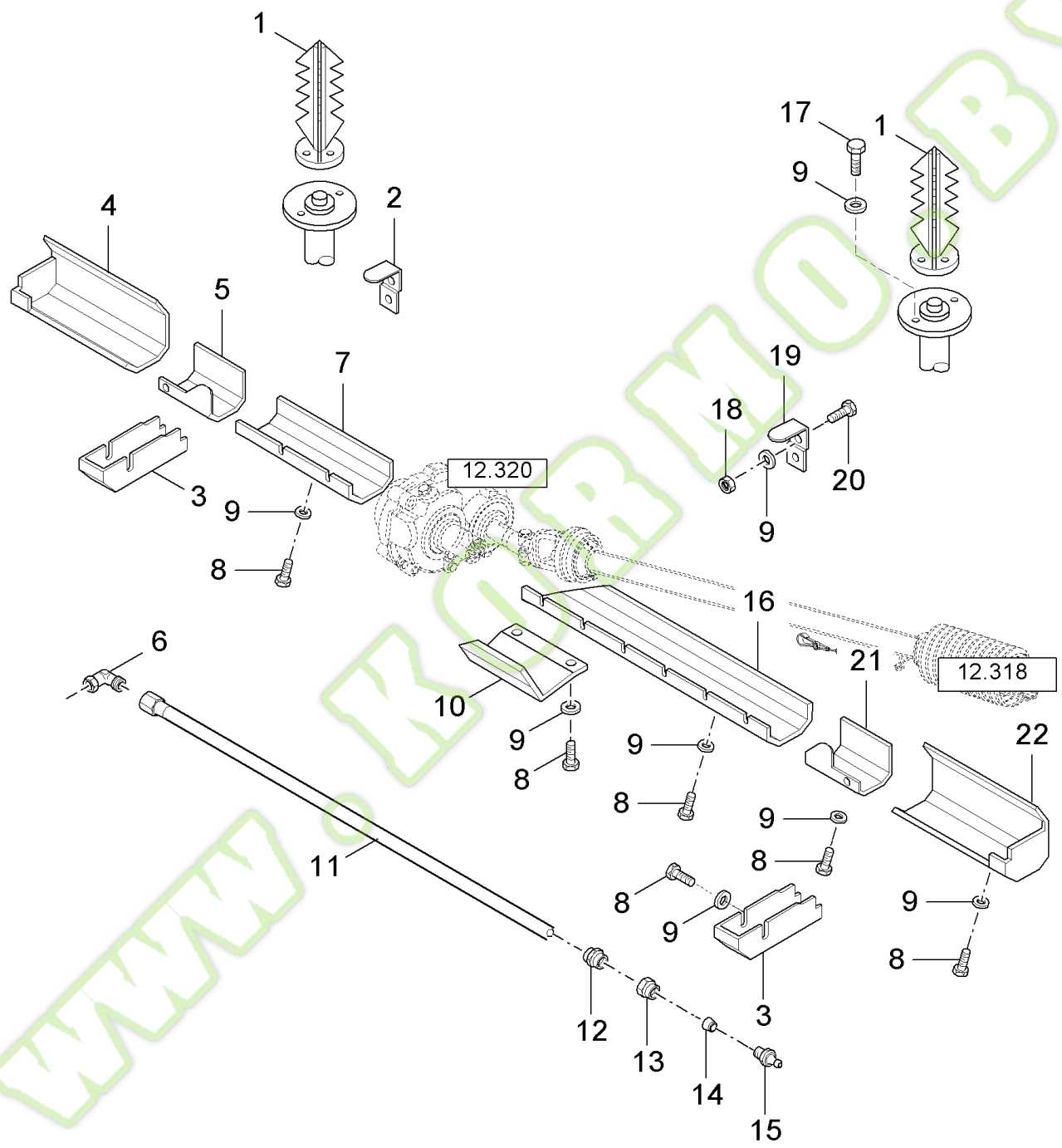
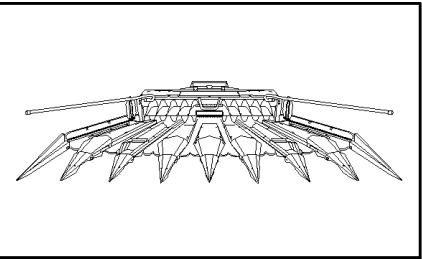


600N8 NH 8-ROW CORN HEAD FOR FX SERIES

12.320(01) SPUR GEARBOX

Ref	Part Number	Qty	Description
	84038541	1	GEARBOX, (1 TO 14)
1	84038542	2	SEAL PROTECTION,
2	84038543	1	CAP, FLANGE COVER,
3	84038544	1	HOUSING,
4	80037203	2	BEARING ASSY,
5	84038545	1	GEAR, Z=17
6	388604	2	PIN, {PP:80388604} M10 x 55, Slotted,
7	84038546	1	HOUSING,
8	140045	6	WASHER, LOCK, {PP:80140045} Belleville, M10,
9	120113	6	BOLT, {PP:80120113} Hex, M10 x 50, 8.8, Full Thd, M10x50
10	84038547	1	LINK/SHACKLE,
11	37198	2	BEARING, BALL, {PP:80037198}
12	84038548	1	GEAR, Z=21
13	84038549	1	PLUG, MAGNETIC,
14	84038550	1	SEAL PROTECTION,

WWW.KORMO.BY

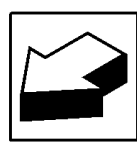
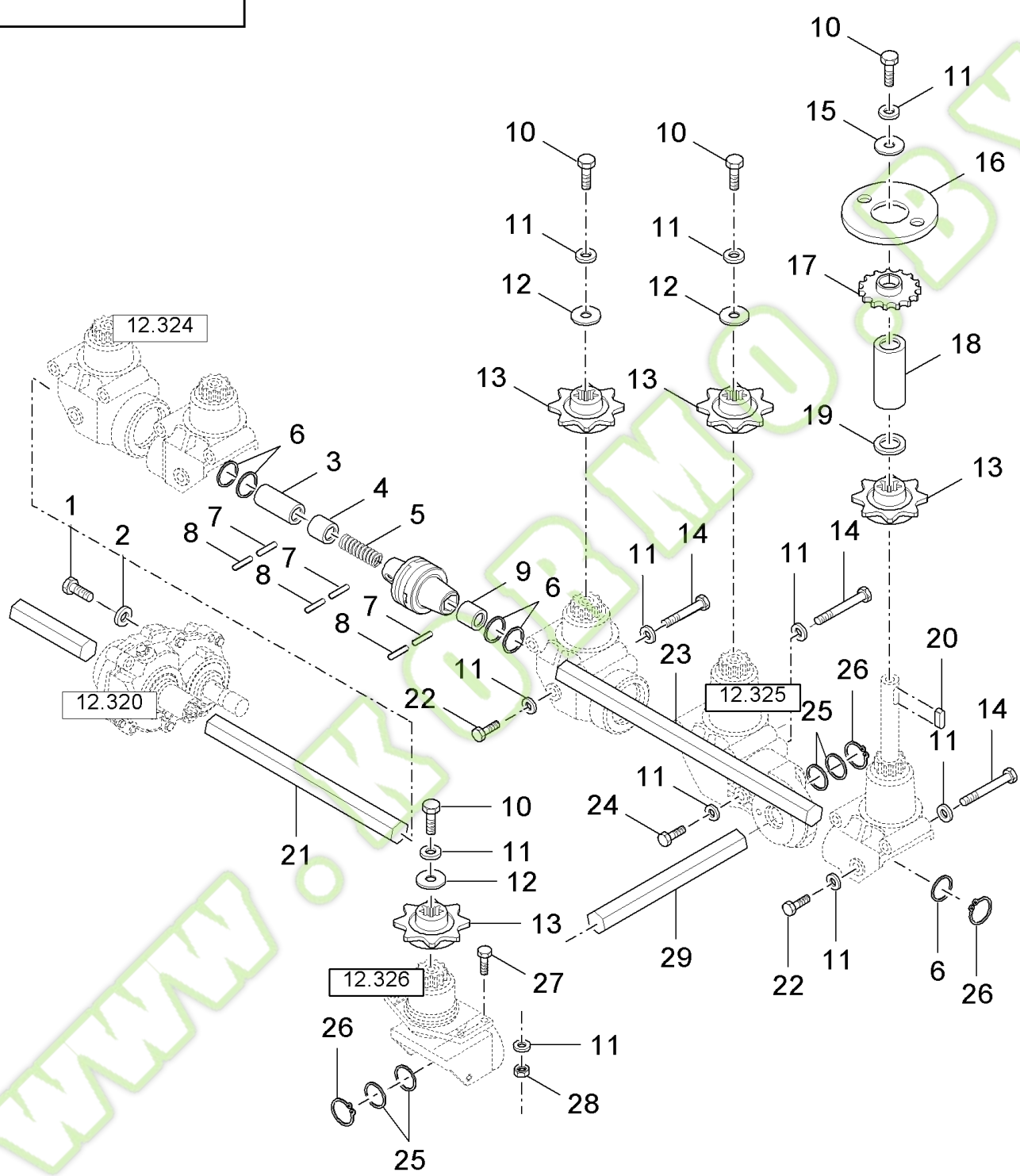
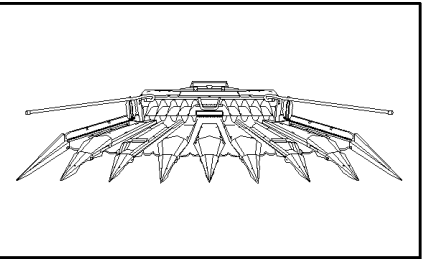


600N8 NH 8-ROW CORN HEAD FOR FX SERIES

12.321(01) ROLLER - DRIVE SHAFT - GUARDS

Ref	Part Number	Qty	Description
1	84038554	2	ROLLER,
2	80749373	1	BLADE, SCRAPER, RH
2	84038555	1	BLADE, SCRAPER, RH
3	84038556	2	GUARD,
4	84038557	1	GUARD,
5	84038558	1	GUARD,
6	84038492	12	ELBOW,
7	84038559	1	GUARD, RH
8	80300383	15	SCREW, M10x16
9	140045	23	WASHER, LOCK, {PP:80140045} Belleville, M10, 10MM
10	80749297	1	GUARD,
11	80749400		AR TUBE,
12	80749199		AR CONNECTOR, HYD.,
13	80749201		AR FERRULE,
14	80749198		AR CONNECTOR, HYD.,
15	300919		AR NIPPLE, LUBE, {PP:80300919}
16	84038560	1	GUARD, LH
17	120109	4	SCREW, {PP:80120109} Hex, M10 x 20, 8.8, Full Thd, M10x20
18	100016	4	NUT, {PP:80100016} M10, Cl 8, M10
19	80749372	1	BLADE, SCRAPER, LH
19	84038561	1	BLADE, SCRAPER, LH
20	80120042	4	BOLT, M10x30
21	84038562	1	GUARD, LH
22	84038563	1	GUARD, LH

12.322(01) GATHERING CHAIN DRIVE

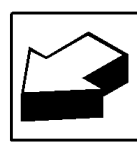
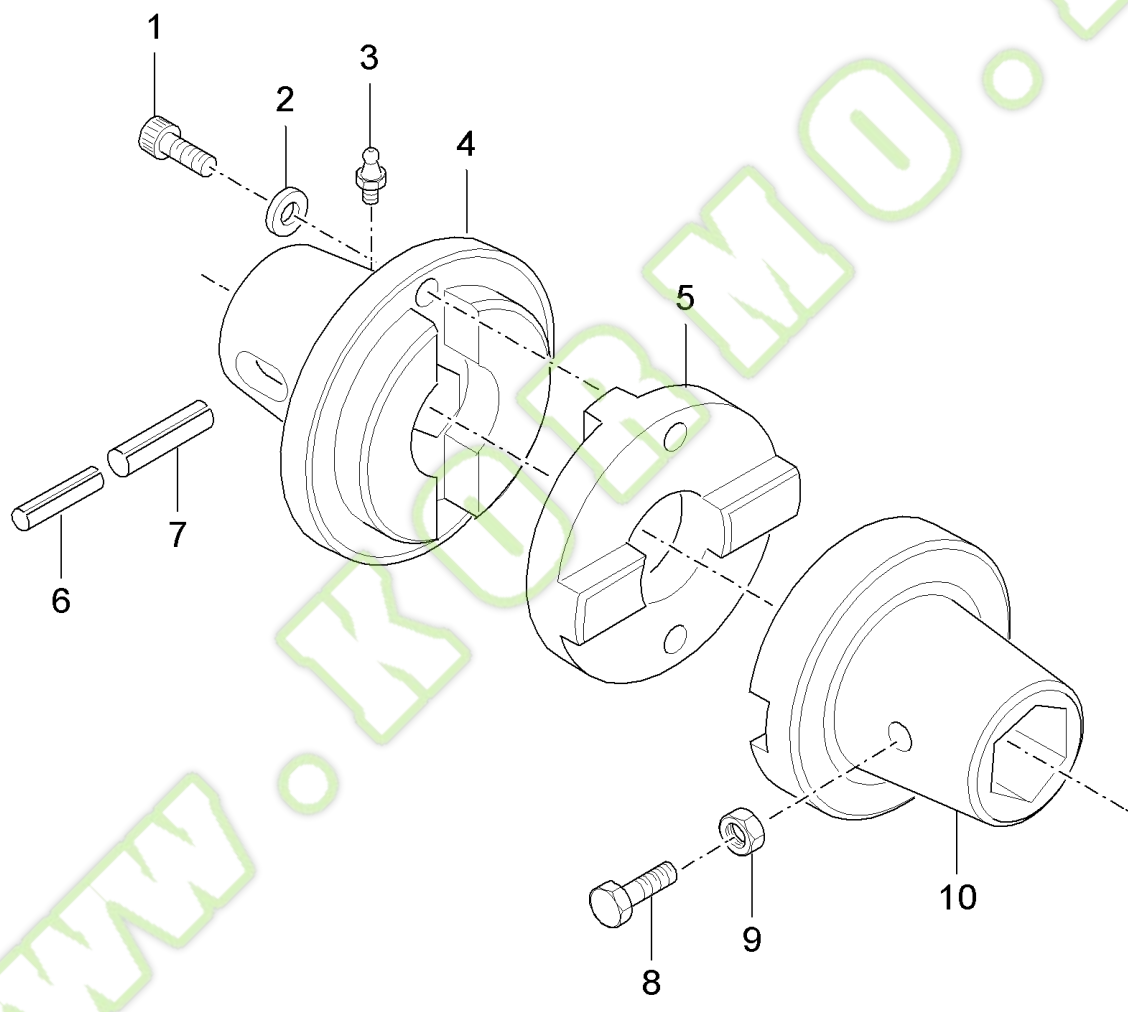
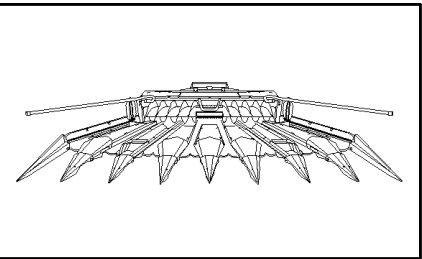


600N8 NH 8-ROW CORN HEAD FOR FX SERIES

12.322(01) GATHERING CHAIN DRIVE

Ref	Part Number	Qty	Description
1	80749423	1	BOLT, M16x35
2	80749427	1	WASHER, 16MM
3	80749501	2	SPACER,
4	84038564	2	BEARING, CAMSHAFT,
5	84038565	2	SPRING,
6	80749293	12	WASHER,
7	80062049	4	PIN, ROLL,
8	89509024	4	PIN,
9	84038566	2	BEARING, CAMSHAFT,
10	385376	16	SCREW, {PP:80385376} M12x30
11	84038567	AR	VALVE, HYDRAULIC,
12	80749418	16	WASHER,
13	89507057	16	GEAR,
14	86507067	AR	SCREW, Hex, M12 x 110, 8.8, M12x110
15	80749434	2	WASHER,
16	84038568	2	WASHER,
17	80749351	2	GEAR,
18	80749221	2	RING,
19	80749262	2	WASHER,
20	170008	2	KEY, {PP:80170008}
21	84038569	1	SHAFT,
22	89509035	12	BOLT, M12x30
23	84038570	2	SHAFT,
24	80337563	2	SCREW, M12x40
25	84038571	AR	WASHER,
25	84038572	AR	WASHER,
26	80749457	6	CIRCLIP,
27	328754	6	BOLT, {PP:80328754} Short NK, M12 x 40, CI8.8, Full Thd, M12x40
28	100038	6	NUT, LOCK, {PP:80100038} M12 x 1.75, CI 8, M12
29	84038573	2	SHAFT,

12.323(01) CLUTCH



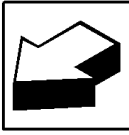
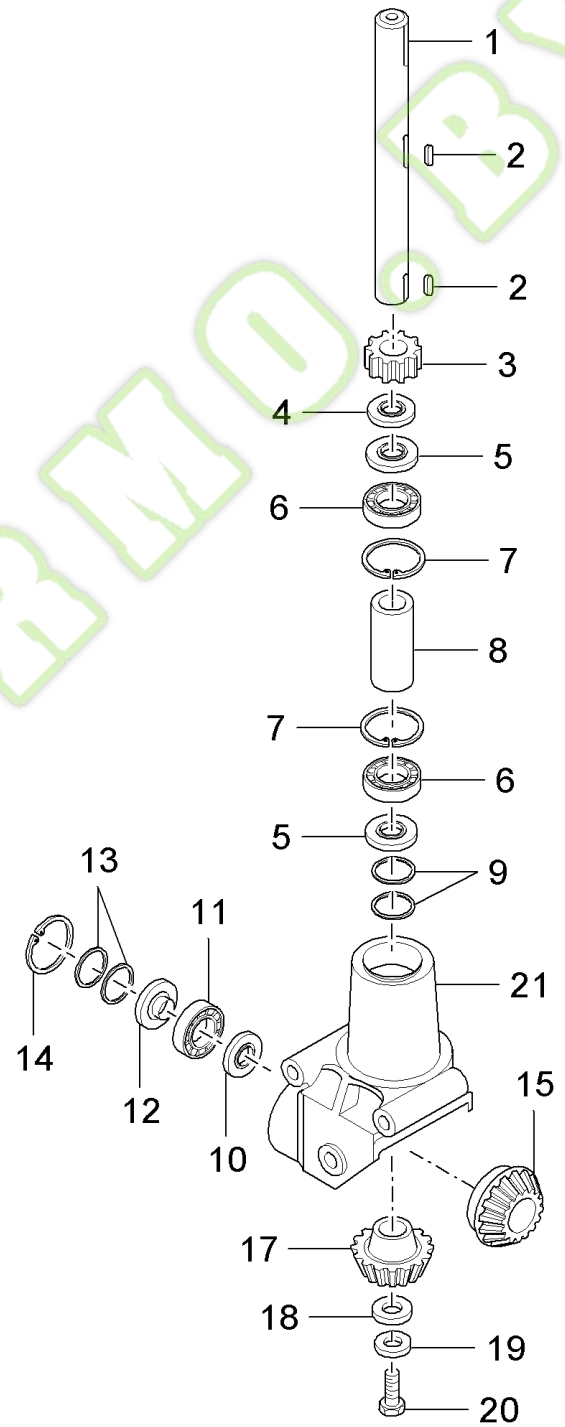
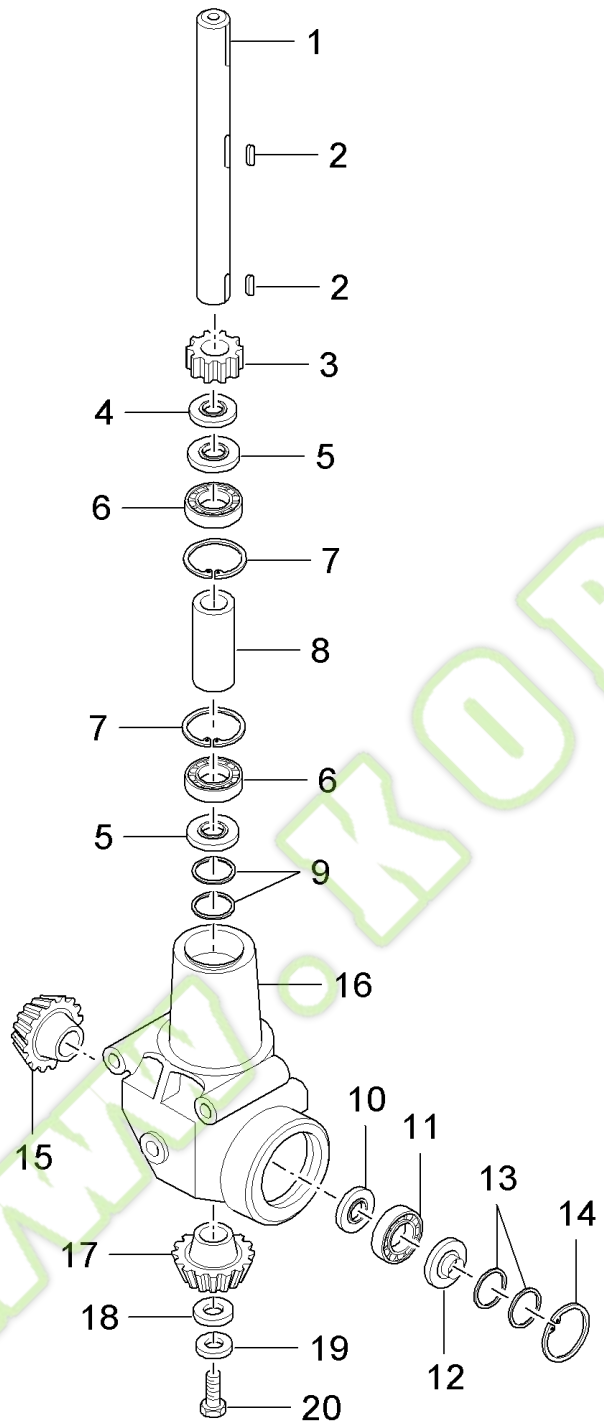
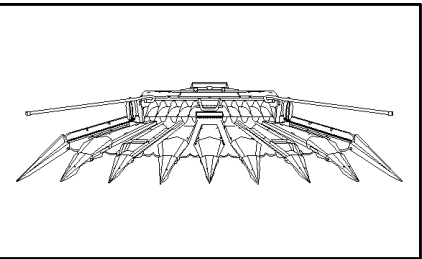
600N8 NH 8-ROW CORN HEAD FOR FX SERIES

12.323(01) CLUTCH

Ref	Part Number	Qty	Description
1	120163	4	SCREW, {PP:80120163} Hex Soc Hd, M8 x 25, 8.8, M8x24
2	80749417	4	WASHER,
3	80749449	2	NIPPLE, LUBE,
4	84038586	2	HOUSING,
5	80749281	2	DISC,
6	80062049	2	PIN, ROLL,
7	89509024	2	PIN,
8	89509033	4	BOLT, M10x25
9	100016	4	NUT, {PP:80100016} M10, Cl 8, M10
10	84038587	2	HOUSING,

WWW.KORMO.BY

12.324(01) CHAIN DRIVE, OUTSIDE

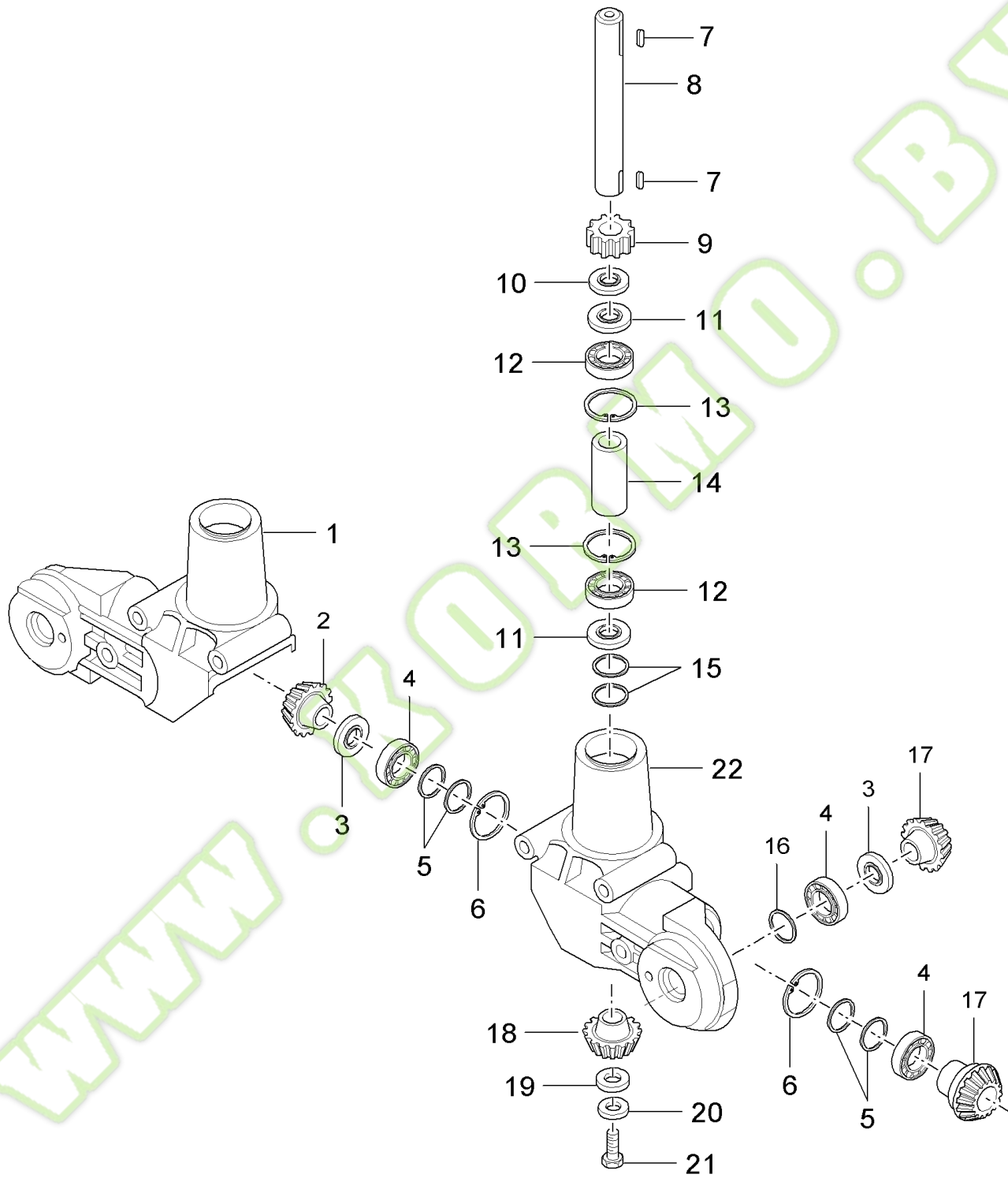
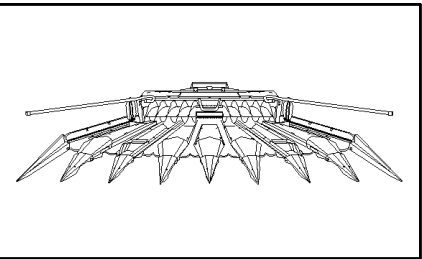


600N8 NH 8-ROW CORN HEAD FOR FX SERIES

12.324(01) CHAIN DRIVE, OUTSIDE

Ref	Part Number	Qty	Description
1	84038588	2	SHAFT,
2	170006	4	KEY, {PP:80170006}
3	89833692	2	GEAR,
4	80749269	2	GASKET,
5	80749414	4	RING,
6	412667	4	BEARING, BALL, {PP:80412667}
7	370012	4	CIRCLIP, {PP:80370012}
8	84038589	2	BEARING, CAMSHAFT,
9	80749458	AR	PLATE, ADJUSTING, 30x42x0.1
9	80749456	AR	PLATE, ADJUSTING, 30x42x0.3
9	748211	AR	SHIM, {PP:80748211} 30x42x0.5
9	748212	AR	PLATE, ADJUSTING, {PP:80748212}
10	80749200	2	RING,
11	37198	2	BEARING, BALL, {PP:80037198}
12	80749270	2	WASHER,
13	80749419	AR	PLATE, ADJUSTING,
13	80749420	AR	PLATE, ADJUSTING,
13	80749421	AR	PLATE, ADJUSTING,
13	80749422	AR	PLATE, ADJUSTING,
14	370021	2	CIRCLIP, {PP:80370021} M85 x 3, Int,
15	80749271	2	PINION, BEVEL,
16	84038590	1	HOUSING,
17	80749220	2	PINION, BEVEL,
18	80749434	2	WASHER,
19	140046	2	WASHER, LOCK, {PP:80140046} Belleville, M12,
20	385376	2	SCREW, {PP:80385376} M12x30
21	84038591	1	HOUSING,

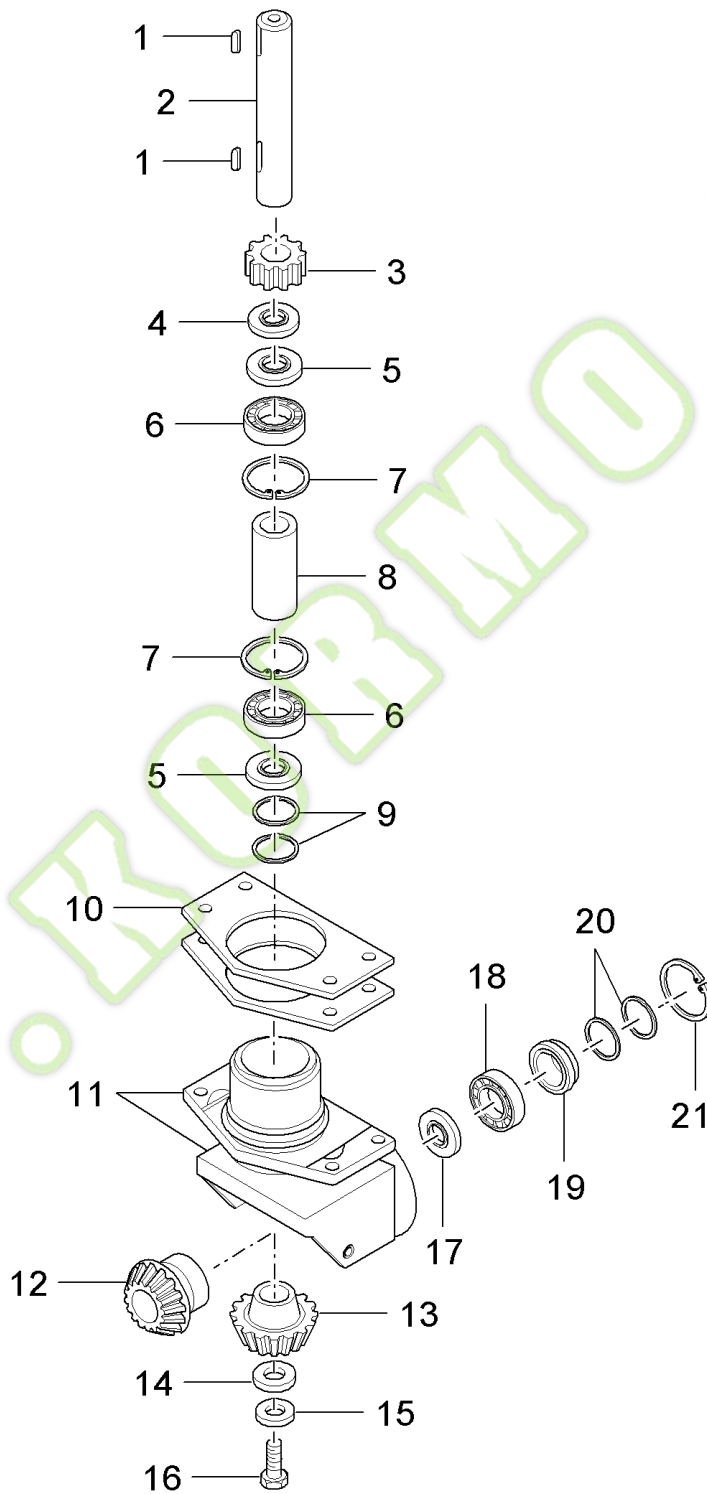
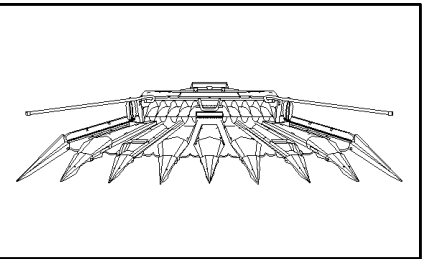
12.325(01) CHAIN DRIVE, LH AND RH



600N8 NH 8-ROW CORN HEAD FOR FX SERIES

12.325(01) CHAIN DRIVE, LH AND RH

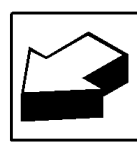
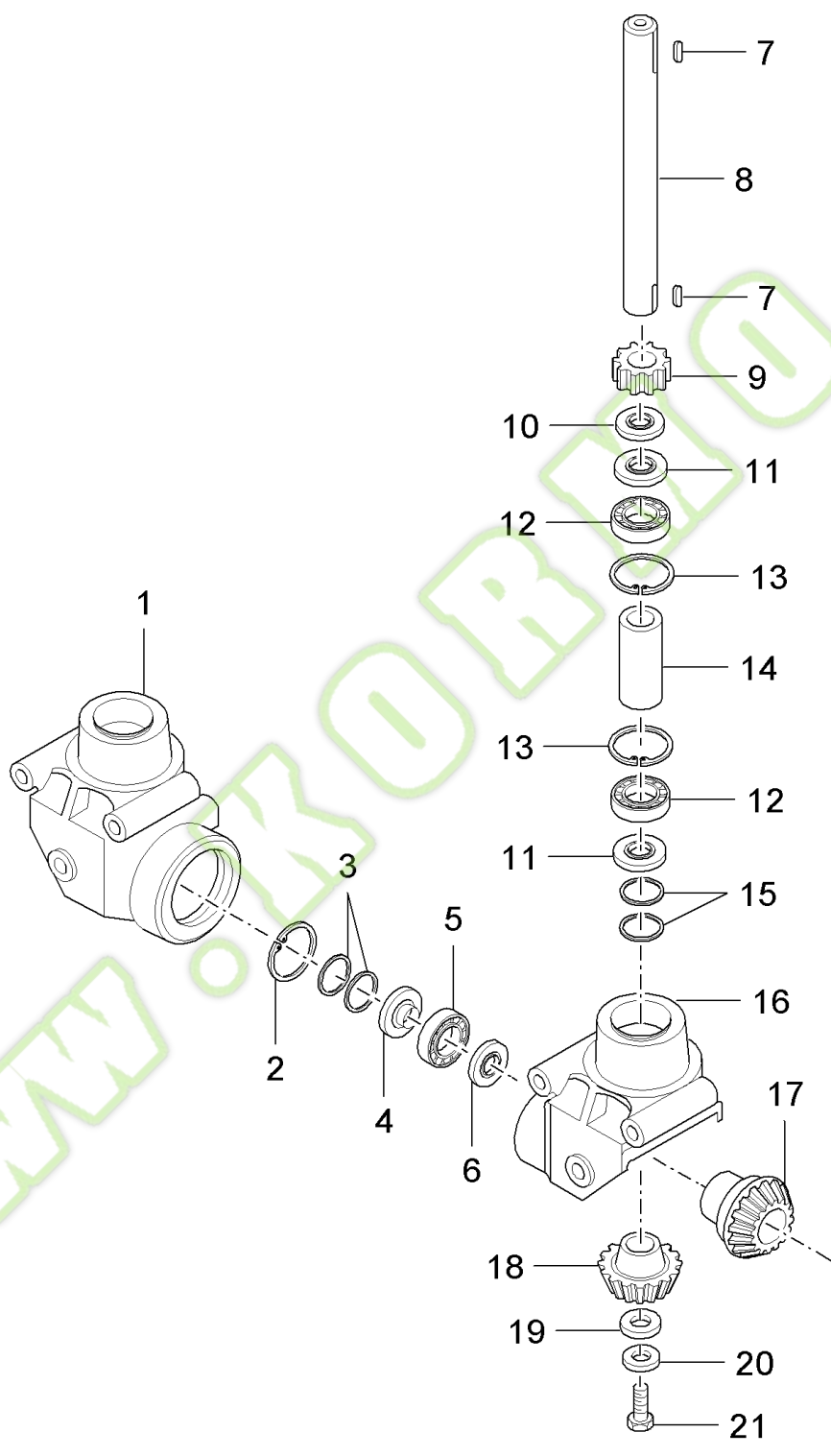
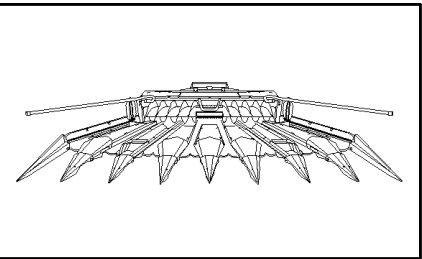
Ref	Part Number	Qty	Description
1	84038593	1	HOUSING, RH
2	80749271	2	PINION, BEVEL,
3	80749200	6	RING,
4	37198	6	BEARING, BALL, {PP:80037198}
5	80749419	AR	PLATE, ADJUSTING,
5	80749420	AR	PLATE, ADJUSTING,
5	80749421	AR	PLATE, ADJUSTING,
5	80749422	AR	PLATE, ADJUSTING,
6	370021	4	CIRCLIP, {PP:80370021} M85 x 3, Int,
7	170006	4	KEY, {PP:80170006}
8	84038594	2	SHAFT,
9	89833692	2	GEAR,
10	80749269	2	GASKET,
11	80749414	4	RING,
12	412667	4	BEARING, BALL, {PP:80412667}
13	370012	4	CIRCLIP, {PP:80370012}
14	84038589	2	BEARING, CAMSHAFT,
15	80749458	AR	PLATE, ADJUSTING, 30x42x0.1
15	80749456	AR	PLATE, ADJUSTING, 30x42x0.3
15	748211	AR	SHIM, {PP:80748211} 30x42x0.5
15	748212	AR	PLATE, ADJUSTING, {PP:80748212}
16	84038595	2	O-RING,
17	84038596	4	GEAR, Z=17T
18	80749220	2	PINION, BEVEL,
19	80749434	2	WASHER,
20	140046	2	WASHER, LOCK, {PP:80140046} Belleville, M12, 12MM
21	385376	2	SCREW, {PP:80385376} M12x30
22	84038597	1	HOUSING, LH



600N8 NH 8-ROW CORN HEAD FOR FX SERIES

12.326(01) CHAIN DRIVE OUTSIDE, FRONT

Ref	Part Number	Qty	Description
1	170006	4	KEY, {PP:80170006}
2	80749272	2	SHAFT,
3	89833692	2	GEAR,
4	80749269	2	GASKET,
5	80749414	4	RING,
6	412667	4	BEARING, BALL, {PP:80412667}
7	370012	4	CIRCLIP, {PP:80370012}
8	80749210	2	RING,
9	80749458	AR	PLATE, ADJUSTING, 30x42x0.1
9	80749456	AR	PLATE, ADJUSTING, 30x42x0.3
9	748211	AR	SHIM, {PP:80748211} 30x.42x0.5
9	748212	AR	PLATE, ADJUSTING, {PP:80748212}
10	84038598	AR	PLATE, ADJUSTING,
10	84038599	AR	PLATE, ADJUSTING,
10	84038600	AR	PLATE, ADJUSTING,
11	84038601	2	HOUSING,
12	80749271	2	PINION, BEVEL,
13	80749220	2	PINION, BEVEL,
14	80749434	2	WASHER,
15	140046	2	WASHER, LOCK, {PP:80140046} Belleville, M12,
16	385376	2	SCREW, {PP:80385376} M12x30
17	80749200	2	RING,
18	37198	2	BEARING, BALL, {PP:80037198}
19	80749270	2	WASHER,
20	80749419	AR	PLATE, ADJUSTING,
20	80749420	AR	PLATE, ADJUSTING,
20	80749421	AR	PLATE, ADJUSTING,
20	80749422	AR	PLATE, ADJUSTING,
21	370021	2	CIRCLIP, {PP:80370021} M85 x 3, Int,

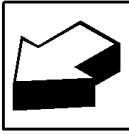
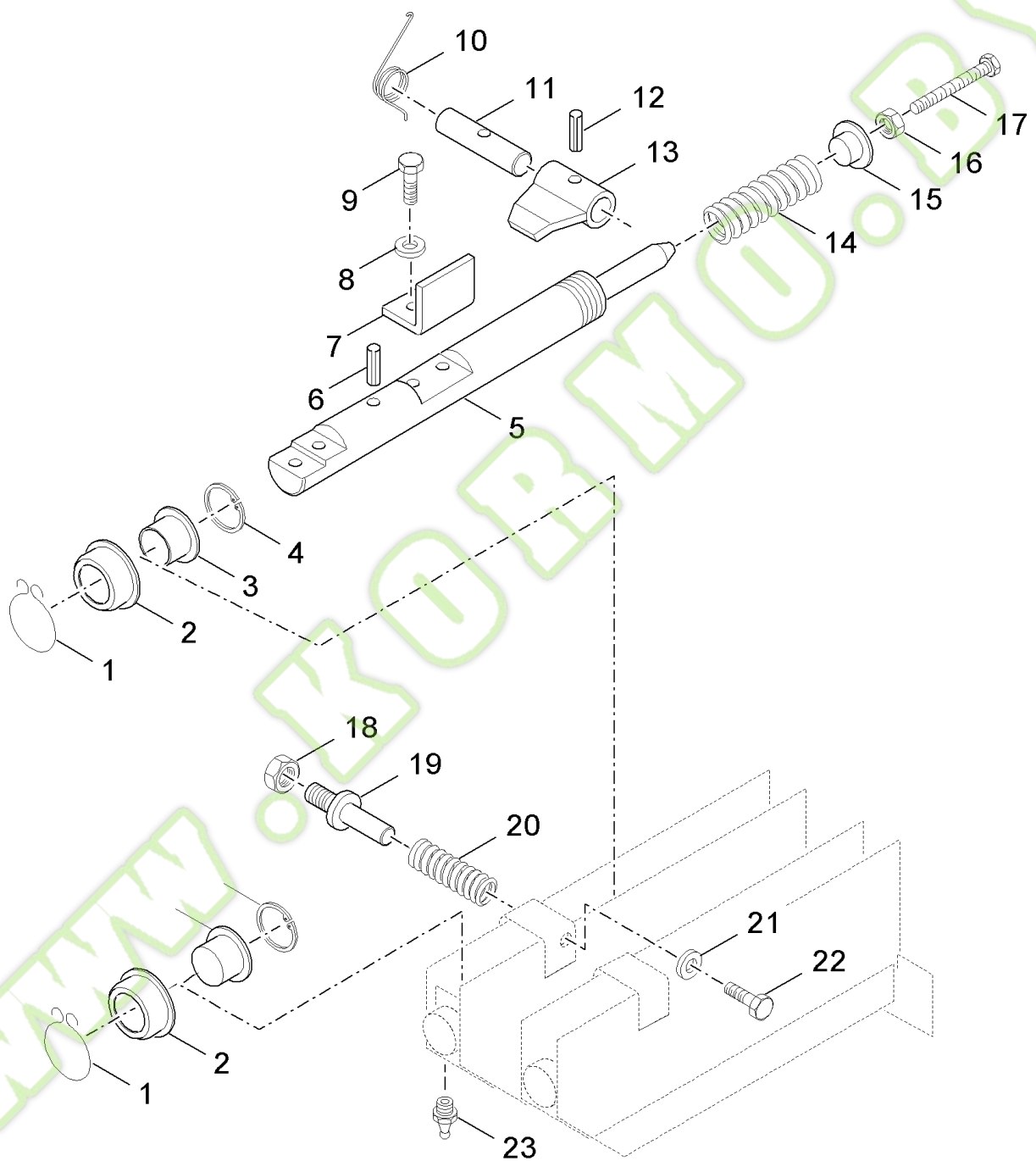
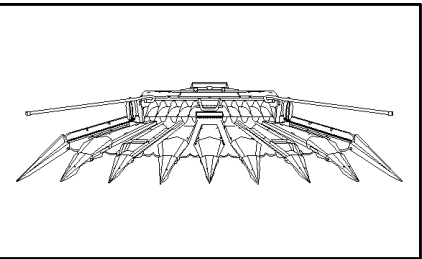


600N8 NH 8-ROW CORN HEAD FOR FX SERIES

12.327(01) CHAIN DRIVE, INSIDE

Ref	Part Number	Qty	Description
1	80749266	2	HOUSING,
2	370021	7	CIRCLIP, {PP:80370021} M85 x 3, Int,
3	80749419		AR PLATE, ADJUSTING,
3	80749420		AR PLATE, ADJUSTING,
3	80749421		AR PLATE, ADJUSTING,
3	80749422		AR PLATE, ADJUSTING,
4	80749270	7	WASHER,
5	37198	7	BEARING, BALL, {PP:80037198}
6	80749200	7	RING,
7	170006	14	KEY, {PP:80170006}
8	80749272	7	SHAFT,
9	89833692	7	GEAR,
10	80749269	7	GASKET,
11	80749414	14	RING,
12	412667	14	BEARING, BALL, {PP:80412667}
13	370012	14	CIRCLIP, {PP:80370012}
14	80749210	7	RING,
15	80749458		AR PLATE, ADJUSTING, 30x42x0.1
15	80749456		AR PLATE, ADJUSTING, 30x42x0.3
15	748211		AR SHIM, {PP:80748211} 30x42x0.5
15	748212		AR PLATE, ADJUSTING, {PP:80748212}
16	80749265	5	HOUSING,
17	80749271	7	PINION, BEVEL,
18	80749220	7	PINION, BEVEL,
19	80749434	7	WASHER,
20	140046	7	WASHER, LOCK, {PP:80140046} Belleville, M12, 12MM
21	385376	7	SCREW, {PP:80385376} M12x30

12.328(01) SUPPORTING ARM

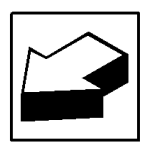
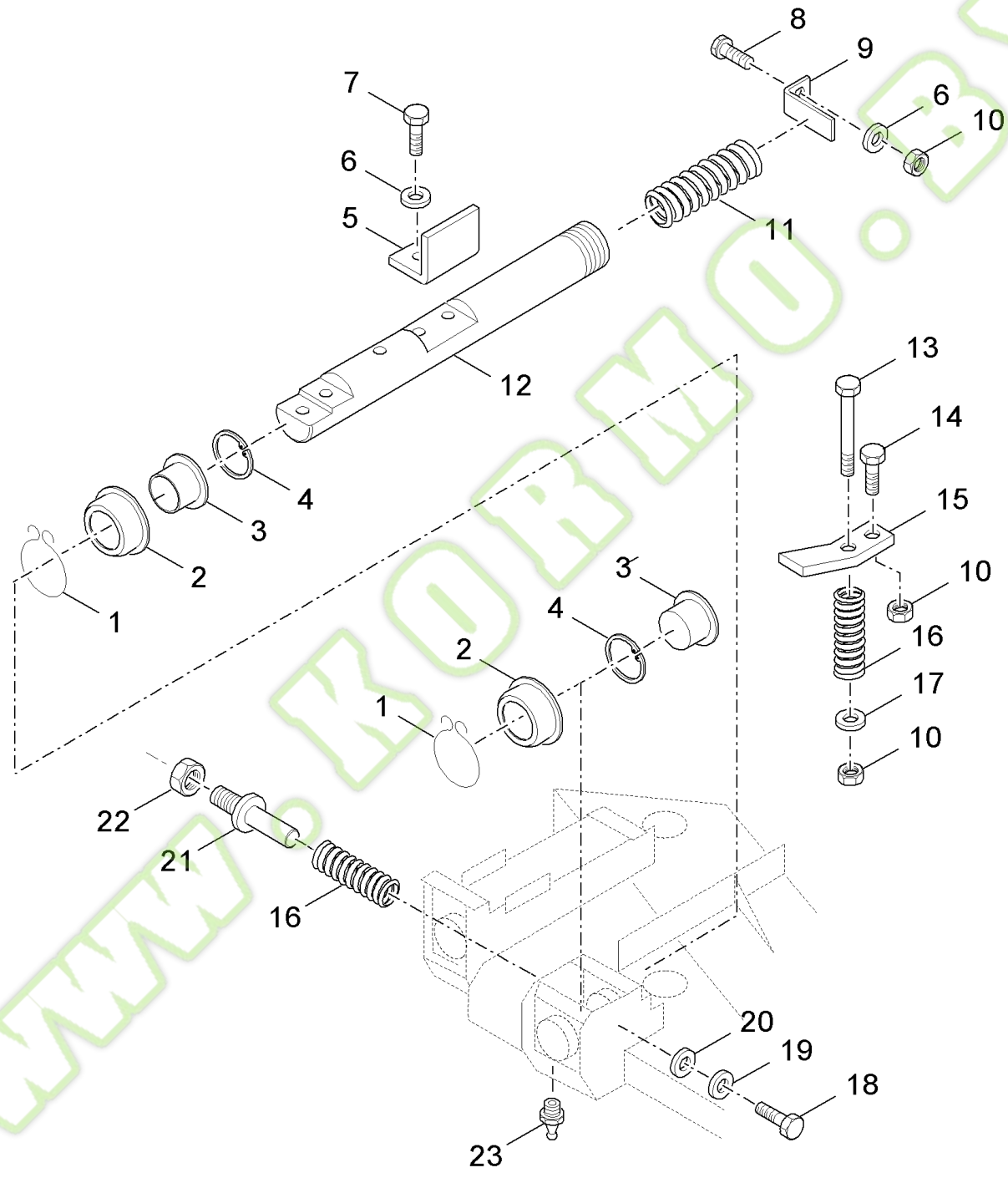
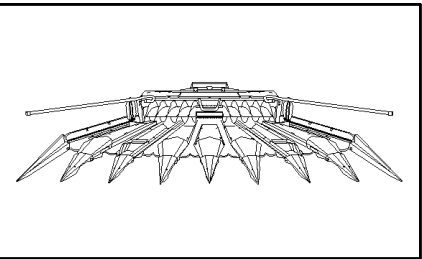


600N8 NH 8-ROW CORN HEAD FOR FX SERIES

12.328(01) SUPPORTING ARM

Ref	Part Number	Qty	Description
1	84019498	AR	CIRCLIP,
2	84019499	AR	RING,
3	80749348	AR	BUSHING,
4	370011	AR	CIRCLIP, {PP:80370011}
5	89507069	14	ROD,
6	333227	14	PIN, SPLIT (COTTER), {PP:80333227}
7	80749320	14	GUIDE,
8	140045	AR	WASHER, LOCK, {PP:80140045} Belleville, M10, 10MM
9	449532	AR	SCREW, {PP:80449532} Hex Lock, M10 x 25, 8.8, M10x25
10	80749329	14	SPRING,
11	80749321	14	BOLT,
12	130045	14	PIN, {PP:80130045} M5 x 26, Slotted,
13	80749299	14	PAWL,
14	80749233	14	SPRING,
15	89509585	14	GUIDE,
16	100020	14	NUT, {PP:80100020} M16, CI 8, M16, CI 8
17	80749448	14	BOLT, M16x120
18	364164	14	NUT, {PP:80364164} Thin, M16 x 1.5, CI 04, M16x1.5
19	89507070	14	SCREW,
20	80749386	AR	SPRING,
21	80749430	AR	WASHER,
22	120109	14	SCREW, {PP:80120109} Hex, M10 x 20, 8.8, Full Thd, M10x20
23	80749449	14	NIPPLE, LUBE,

12.329(01) SUPPORTING ARM

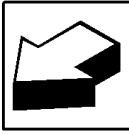
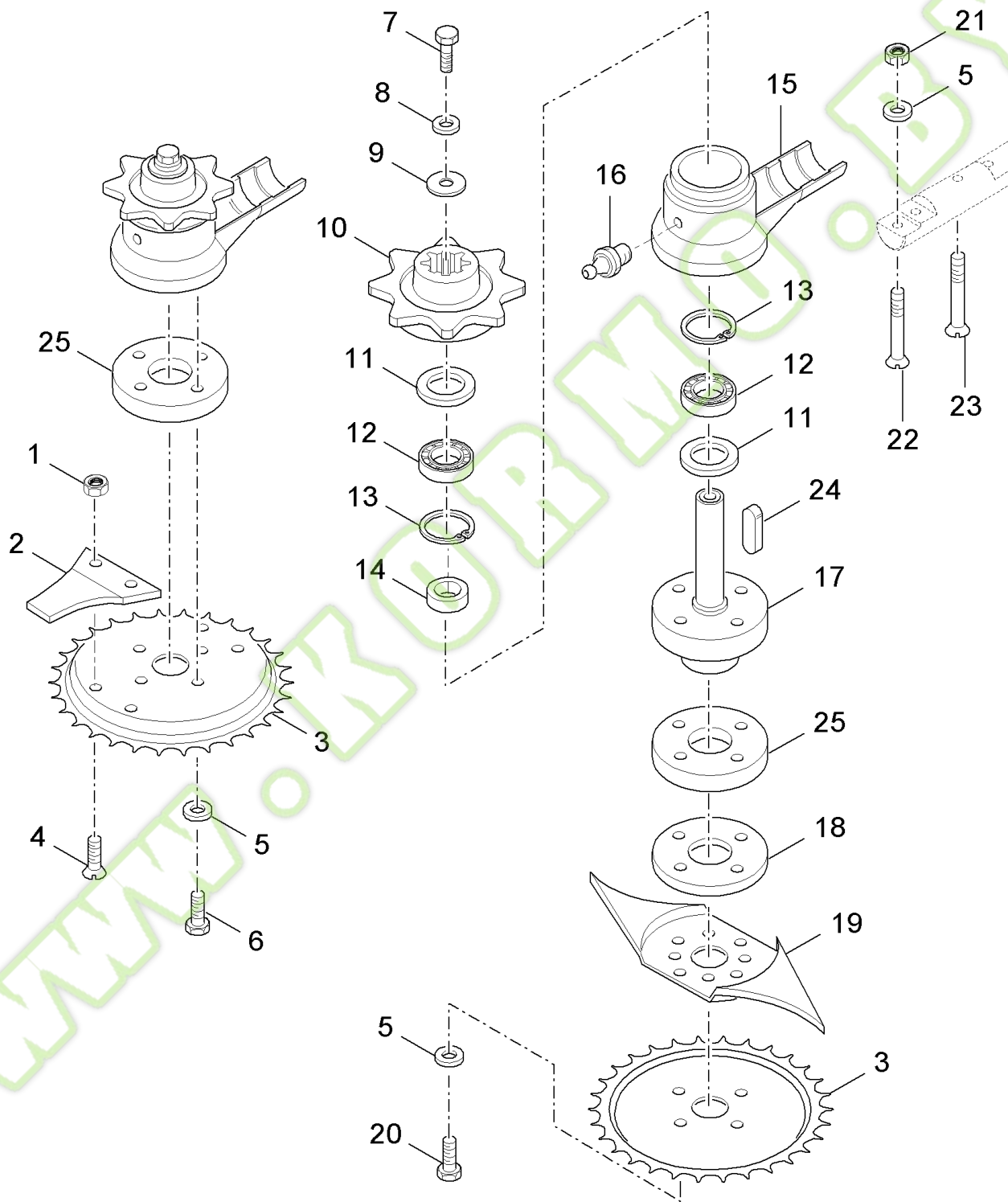
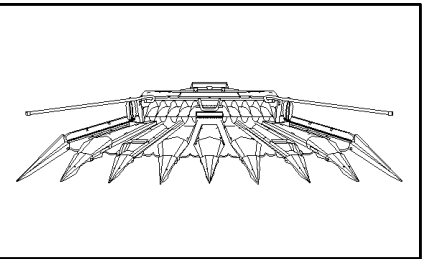


600N8 NH 8-ROW CORN HEAD FOR FX SERIES

12.329(01) SUPPORTING ARM

Ref	Part Number	Qty	Description
1	84019498	AR	CIRCLIP,
2	84019499	AR	RING,
3	80749348	AR	BUSHING,
4	370011	AR	CIRCLIP, {PP:80370011}
5	84038659	2	GUIDE,
6	140045	AR	WASHER, LOCK, {PP:80140045} Belleville, M10, 10MM
7	449532	AR	SCREW, {PP:80449532} Hex Lock, M10 x 25, 8.8, M10x25
8	43139	2	SCREW, {PP:80043139} Hex, M10 x 25, 8.8, Full Thd, M10x25
9	84038660	2	BRACKET,
10	100037	6	NUT, {PP:80100037} M10 x 1.5, CI 8, M10
11	84038661	2	SPRING,
12	84038662	2	ROD,
13	120115	2	SCREW, {PP:80120115} Hex, M10 x 70, 8.8, Full Thd, M10x70
14	120112	2	SCREW, {PP:80120112} Hex, M10 x 40, 8.8, Full Thd, M10x40
15	84038663	2	PAWL,
16	80749386	AR	SPRING,
17	378244	2	WASHER, LOCK, {PP:80378244}
18	120109	AR	SCREW, {PP:80120109} Hex, M10 x 20, 8.8, Full Thd, M10x20
19	80749430	AR	WASHER,
20	89509005	8	WASHER,
21	89507070	AR	SCREW,
22	364164	AR	NUT, {PP:80364164} Thin, M16 x 1.5, CI 04, M16x1.5
23	80749449	AR	NIPPLE, LUBE,

12.330(01) CUTTING DISC

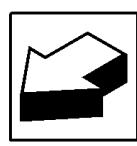
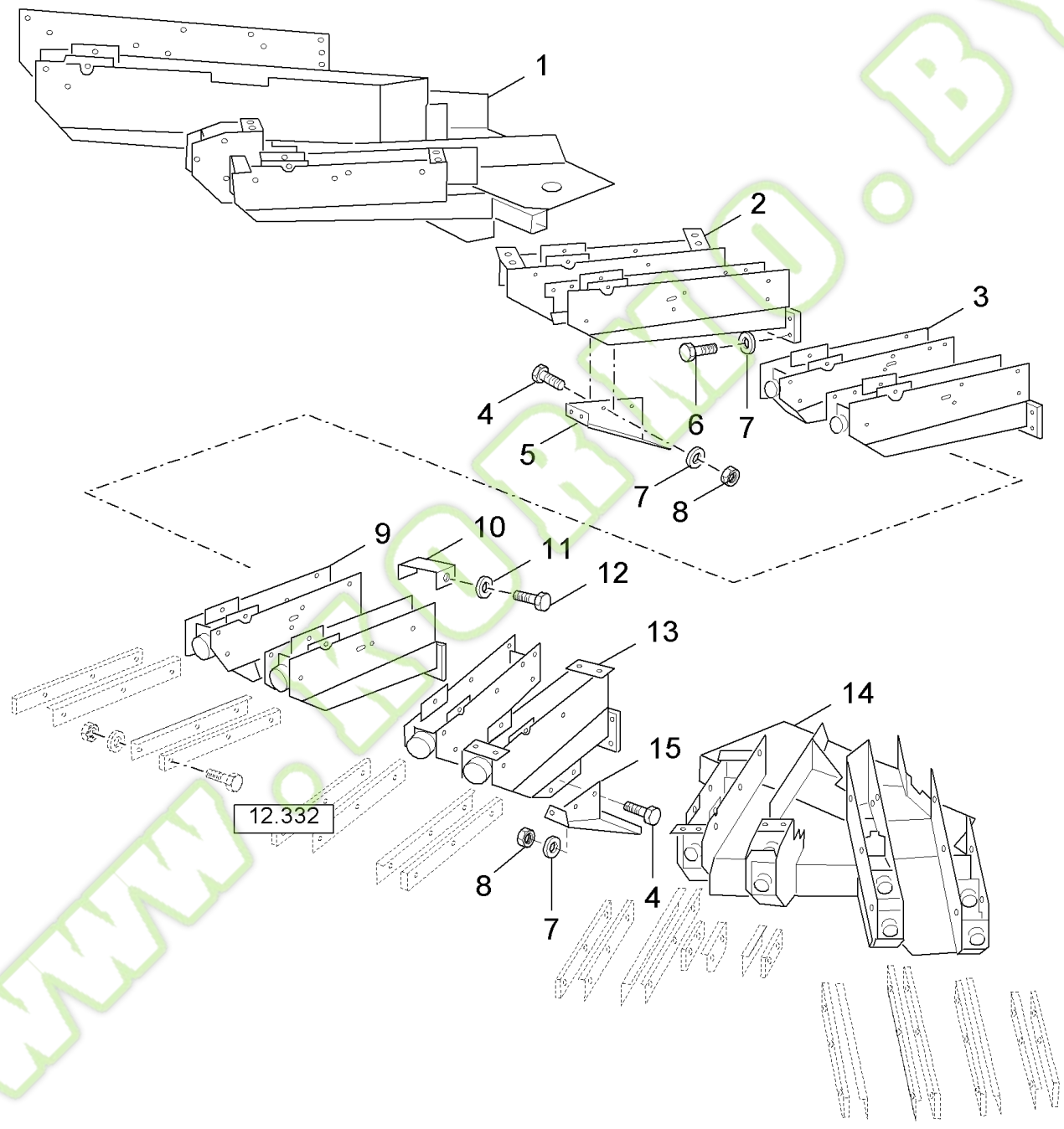
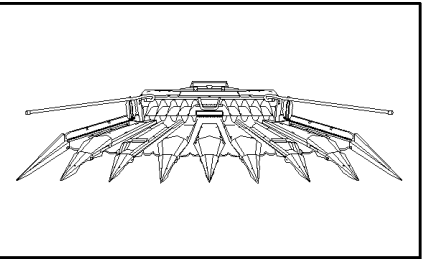


600N8 NH 8-ROW CORN HEAD FOR FX SERIES

12.330(01) CUTTING DISC

Ref	Part Number	Qty	Description
1	100067	32	NUT, {PP:80100067} M8 x 1.25", CI 8, M8
2	80749346	16	GUIDE,
3	9843538	16	DISC, {PP:89843538}
4	80749452	32	BOLT, M8x16
5	140045	AR	WASHER, LOCK, {PP:80140045} Belleville, M10, 10MM
6	120109	24	SCREW, {PP:80120109} Hex, M10 x 20, 8.8, Full Thd, M10x20
6	325829	8	SCREW, {PP:80325829} Hex, M10 x 45, 8.8, M10x45
7	385376	16	SCREW, {PP:80385376} M12x30
8	140046	16	WASHER, LOCK, {PP:80140046} Belleville, M12, 12MM
9	80749434	20	WASHER,
10	89507073	16	SPROCKET, DRIVEN,
11	80749414	32	RING,
12	412667	32	BEARING, BALL, {PP:80412667}
13	370012	32	CIRCLIP, {PP:80370012}
14	80749209	16	RING,
15	84019526	16	HOUSING, BEARING,
16	80749449	16	NIPPLE, LUBE,
17	80749326	16	SHAFT, CONTROL,
18	80749472	8	WASHER,
19	80749349	8	COUPLING, QUICK, FEMALE,
20	43139	24	SCREW, {PP:80043139} Hex, M10 x 25, 8.8, Full Thd, M10x25
20	120113	8	BOLT, {PP:80120113} Hex, M10 x 50, 8.8, Full Thd, M10x50
21	100037	32	NUT, {PP:80100037} M10 x 1.5, CI 8, M10
22	89507141	16	BOLT, M10x50
23	80749464	16	SCREW, M10x60
24	170006	16	KEY, {PP:80170006}
25	84038664	4	BEARING, CAMSHAFT,

12.331(01) SUPPORTING ARMS



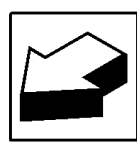
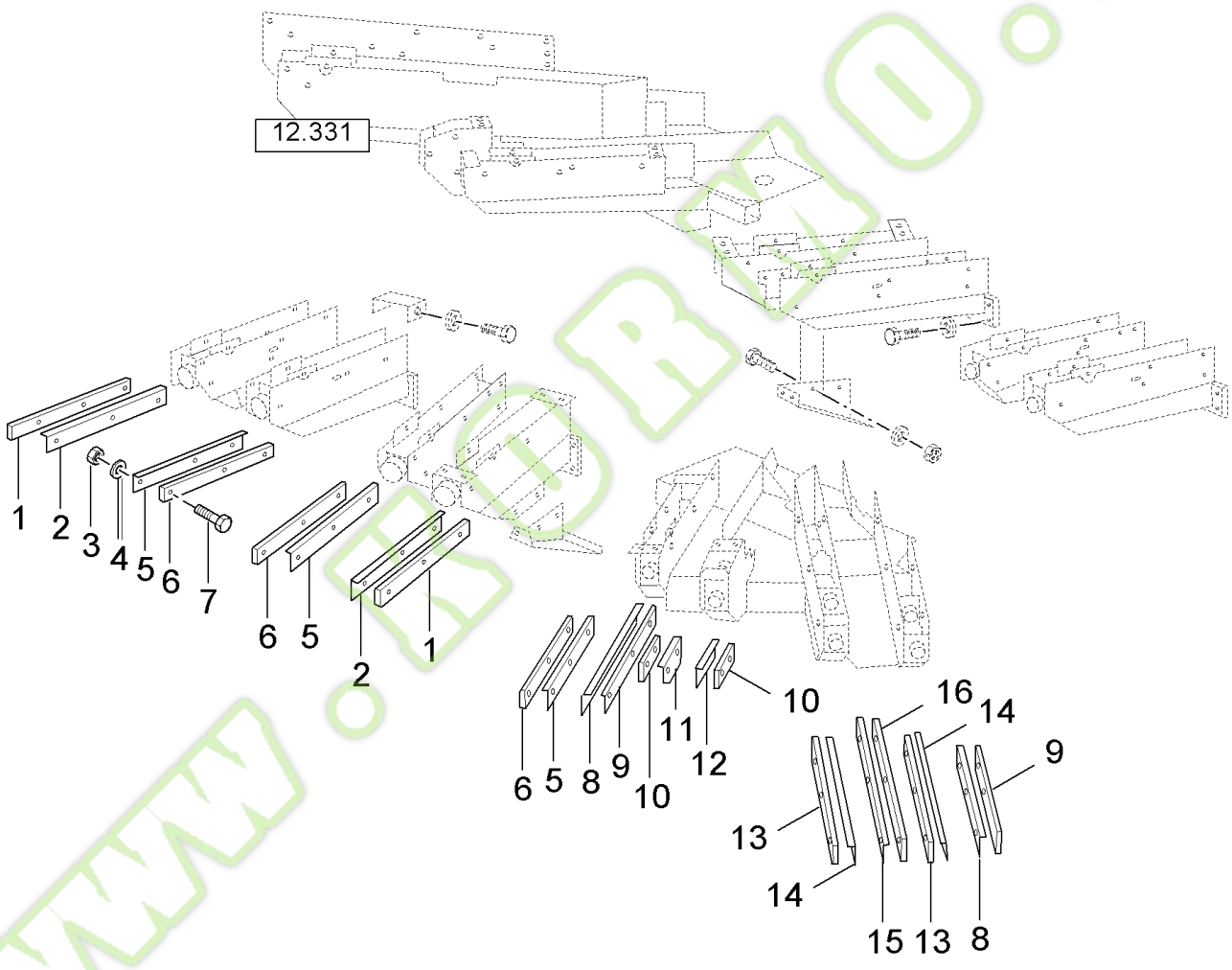
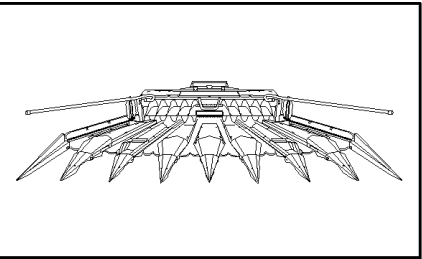
600N8 NH 8-ROW CORN HEAD FOR FX SERIES

12.331(01) SUPPORTING ARMS

Ref	Part Number	Qty	Description
1	84038665	1	SUPPORT, RH
2	89507075	1	SUPPORT,
3	89507076	1	SUPPORT,
4	300389	6	SCREW, {PP:80300389} Hex, M12 x 35, 8.8, Full Thd, M12x35
5	84038666	1	SUPPORT,
6	89509035	22	BOLT, M12x30
7	140046	24	WASHER, LOCK, {PP:80140046} Belleville, M12, 12MM
8	100038	6	NUT, LOCK, {PP:80100038} M12 x 1.75, CI 8, M12
9	89507077	1	SUPPORT,
10	80749323	16	SUPPORT,
11	140045	48	WASHER, LOCK, {PP:80140045} Belleville, M10, 10MM
12	80300383	48	SCREW, M10x16
13	89507078	1	SUPPORT,
14	84038667	1	SUPPORT, LH
15	84038668	1	SUPPORT,

WWW.KORMO.BY

12.332(01) SUPPORTING ARMS

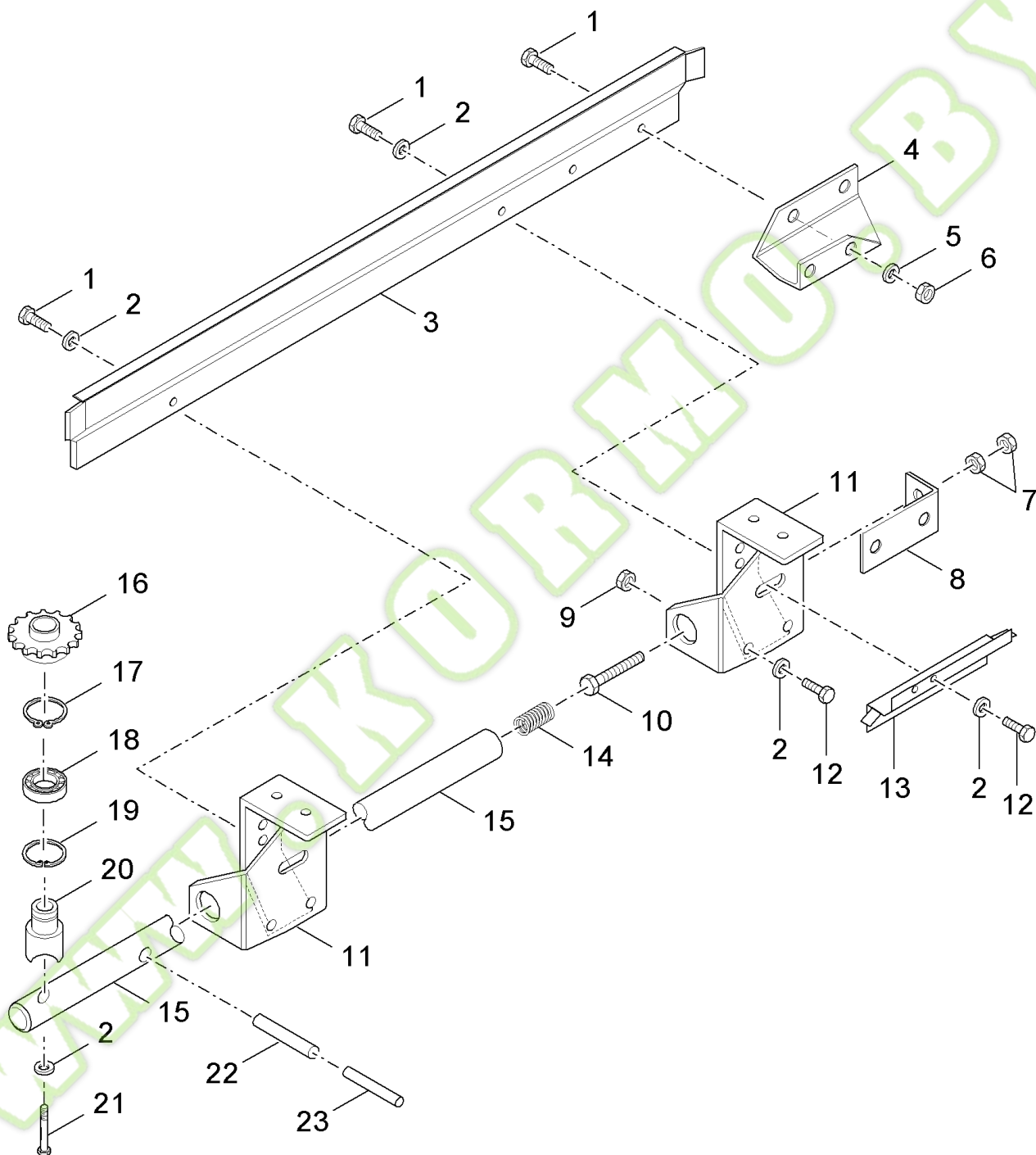
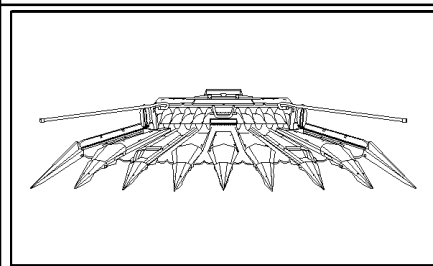


600N8 NH 8-ROW CORN HEAD FOR FX SERIES

12.332(01) SUPPORTING ARMS

Ref	Part Number	Qty	Description
1	80749219	6	GUIDE,
2	80749325	6	GUIDE,
3	100067	AR	NUT, {PP:80100067} M8 x 1.25", CI 8, M8
4	322358	AR	WASHER, LOCK, {PP:80322358} Belleville, M8, 8MM
5	80749324	10	GUIDE,
6	80749263	10	GUIDE,
7	89507266	AR	SCREW, M8x25
8	80749328	6	GUIDE,
9	80749264	6	GUIDE,
10	84038669	4	GUIDE,
11	84038670	2	GUIDE,
12	84038678	2	GUIDE,
13	84038679	4	GUIDE,
14	84038680	4	GUIDE,
15	84038681	2	GUIDE,
16	84038682	2	GUIDE,

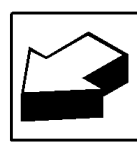
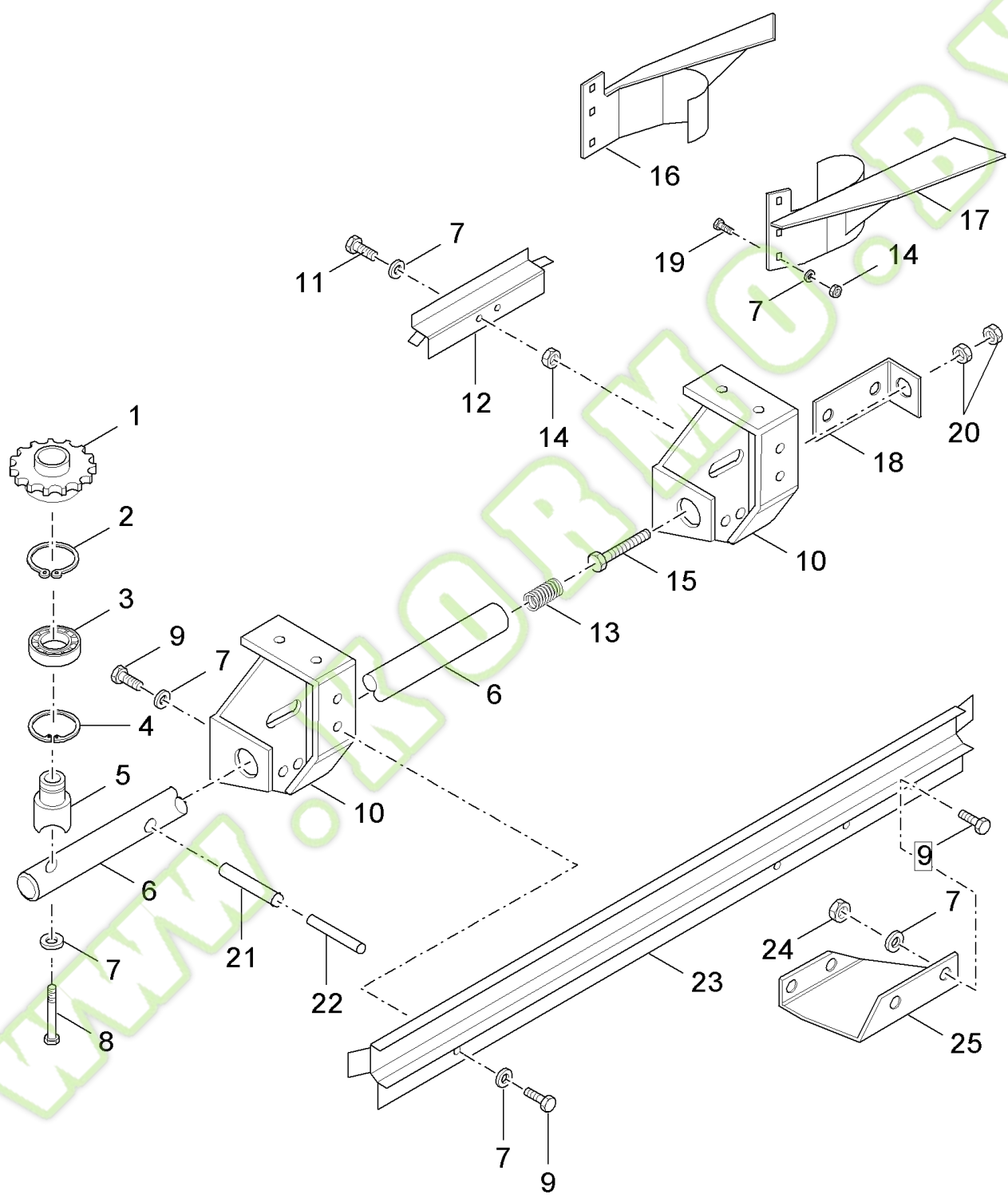
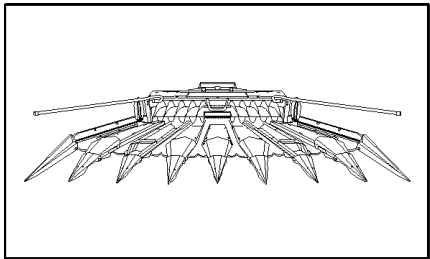
WWW.KORMO.BY



600N8 NH 8-ROW CORN HEAD FOR FX SERIES

12.333(01) CHAIN GUIDE, OUTER LEFT-HAND

Ref	Part Number	Qty	Description
1	120109	9	SCREW, {PP:80120109} Hex, M10 x 20, 8.8, Full Thd, M10x20
2	140045	15	WASHER, LOCK, {PP:80140045} Belleville, M10, 10MM
3	84038695	1	GUIDE,
4	84038696	1	SUPPORT,
5	140046	1	WASHER, LOCK, {PP:80140046} Belleville, M12, 12MM
6	100037	4	NUT, {PP:80100037} M10 x 1.5, CI 8, M10
7	337475	2	NUT, {PP:80337475} M12, CI 10, M12
8	749336	1	WASHER, {PP:80749336}
9	100016	3	NUT, {PP:80100016} M10, CI 8, M10
10	120124	1	SCREW, {PP:80120124} Hex, M12 x 90, 8.8, M12x90
11	80749335	2	SUPPORT,
12	80300383	4	SCREW, M10x16
13	80749350	1	GUIDE,
14	80749195	1	SPRING,
15	89507081	1	SHAFT,
16	80749352	1	SPROCKET, DRIVEN,
17	80370002	1	CIRCLIP,
18	443898	1	BEARING ASSY, {PP:80443898}
19	370011	1	CIRCLIP, {PP:80370011}
20	80749334	1	BOLT,
21	120112	1	SCREW, {PP:80120112} Hex, M10 x 40, 8.8, Full Thd, M10x40
22	388604	1	PIN, {PP:80388604} M10 x 55, Slotted,
23	80749468	1	PIN, SPLIT (COTTER),

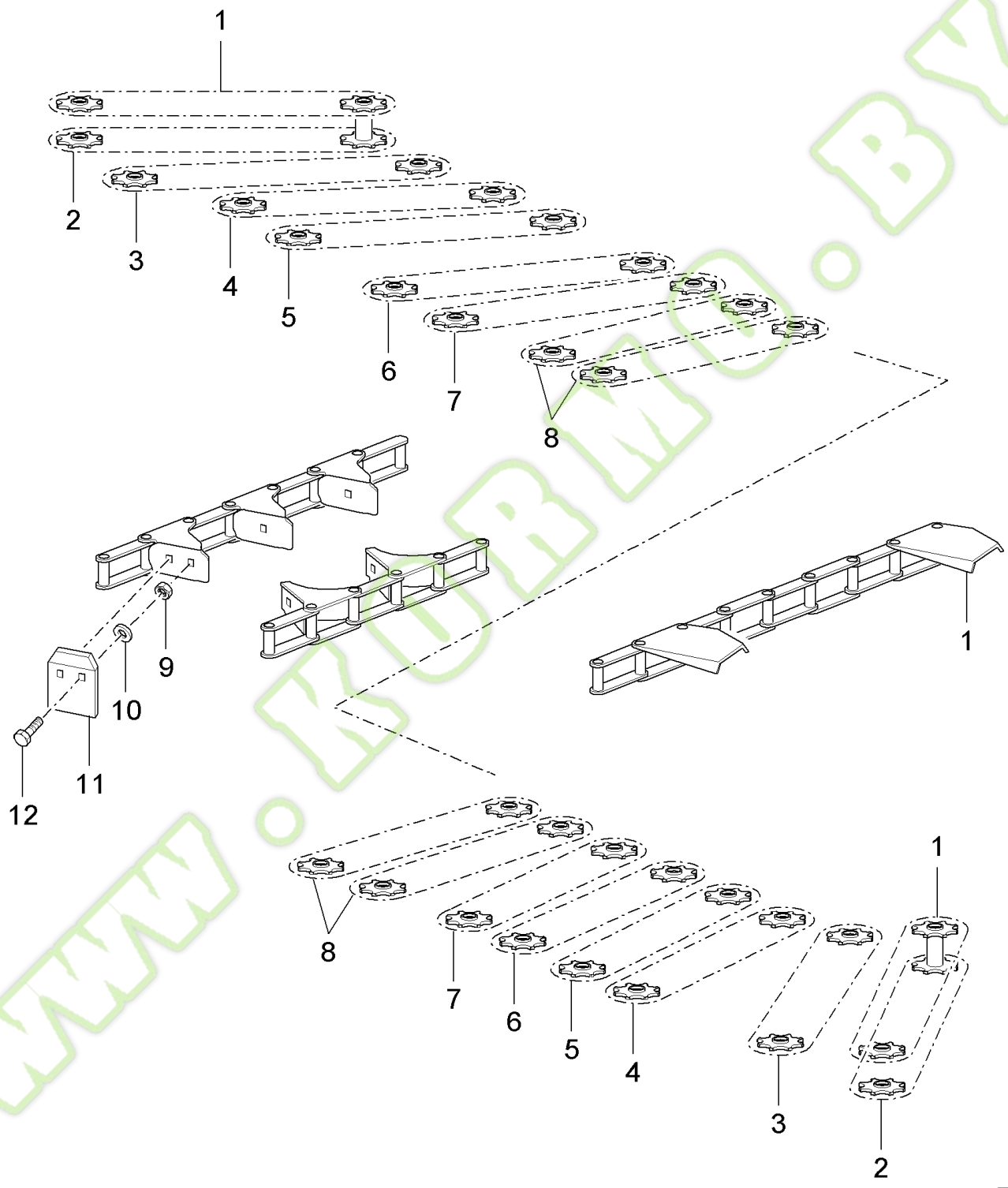
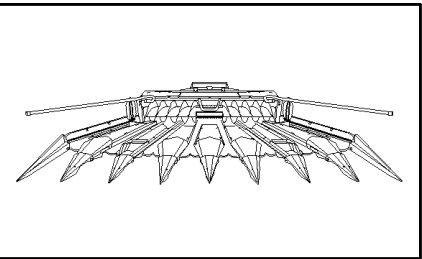


600N8 NH 8-ROW CORN HEAD FOR FX SERIES

12.334(01) CHAIN GUIDE, OUTER RIGHT-HAND

Ref	Part Number	Qty	Description
1	80749352	1	SPROCKET, DRIVEN,
2	80370002	1	CIRCLIP,
3	443898	1	BEARING ASSY, {PP:80443898}
4	370011	1	CIRCLIP, {PP:80370011}
5	80749334	1	BOLT,
6	89507081	1	SHAFT,
7	140045	16	WASHER, LOCK, {PP:80140045} Belleville, M10,
8	120112	1	SCREW, {PP:80120112} Hex, M10 x 40, 8.8, Full Thd, M10x40
9	120109	10	SCREW, {PP:80120109} Hex, M10 x 20, 8.8, Full Thd, M10x20
10	80749338	2	SUPPORT,
11	80300383	4	SCREW, M10x16
12	80749350	1	GUIDE,
13	80749195	1	SPRING,
14	100016	3	NUT, {PP:80100016} M10, CI 8, M10
15	120124	1	SCREW, {PP:80120124} Hex, M12 x 90, 8.8, M12x90
16	84038697	1	PLATE, RH
17	84038698	1	PLATE, LH
18	749336	1	WASHER, {PP:80749336}
19	80120042	4	BOLT, M10x30
19	412183	2	BOLT, {PP:80412183} Short NK, M10 x 35, CI8.8, Full Thd, M10x35
20	337475	2	NUT, {PP:80337475} M12, CI 10, M12
21	388604	1	PIN, {PP:80388604} M10 x 55, Slotted,
22	80749468	1	PIN, SPLIT (COTTER),
23	84038695	1	GUIDE,
24	100037	7	NUT, {PP:80100037} M10 x 1.5, CI 8, M10
25	84038699	1	SUPPORT,

12.335(01) GATHERING CHAINS



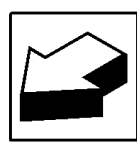
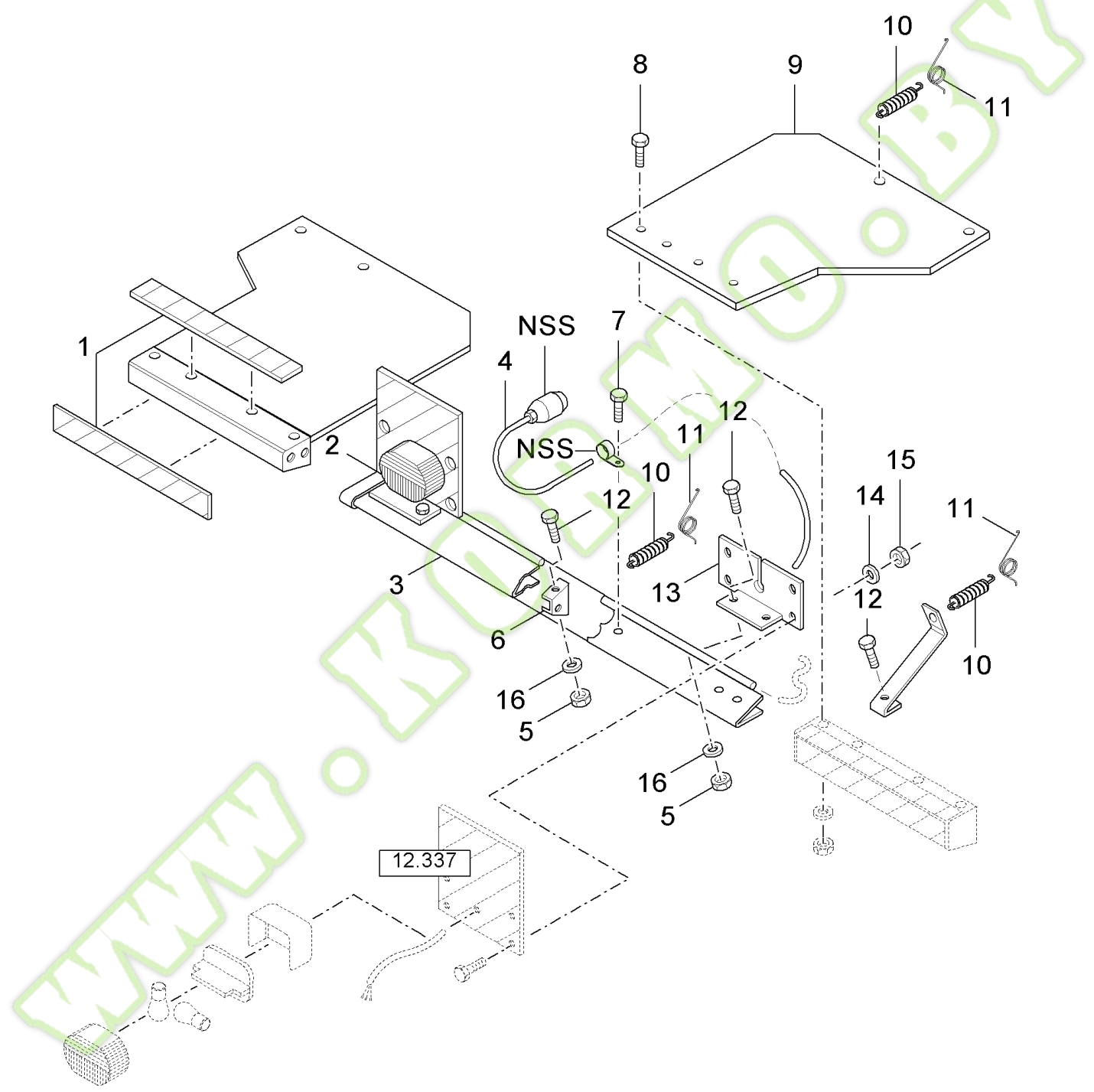
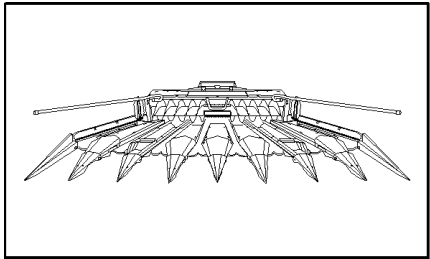
600N8 NH 8-ROW CORN HEAD FOR FX SERIES

12.335(01) GATHERING CHAINS

Ref	Part Number	Qty	Description
1	84038700	2	CHAIN,
2	84038701	2	CHAIN,
3	84038702	2	CHAIN,
4	84038703	2	CHAIN,
5	84038704	2	CHAIN,
6	84031626	2	CHAIN, GATHERING,
7	84031628	4	CHAIN,
8	84429098	4	CHAIN,
9	100015	36	NUT, {PP:80100015} M8, CI 8, M8
10	322358	36	WASHER, LOCK, {PP:80322358} Belleville, M8, 8MM
11	84019504	18	PLATE,
12	412430	36	BOLT, {PP:80412430} Short NK, M6 x 16, CI8.8, Full Thd, M8x16x10

WWW.KORMO.BY

12.336(01) WARNING PLATES - LIGHTS

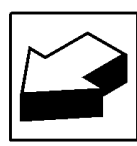
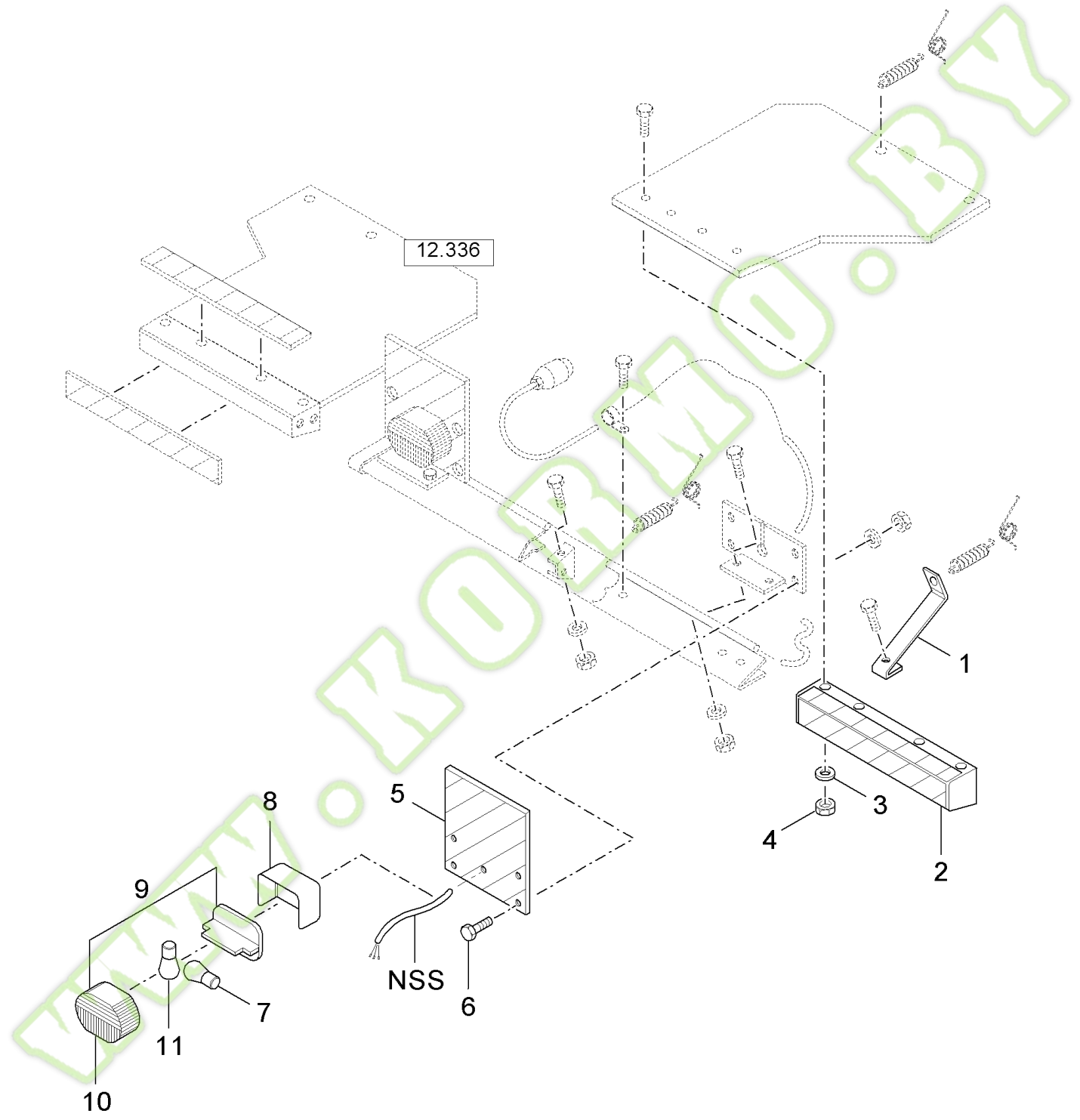
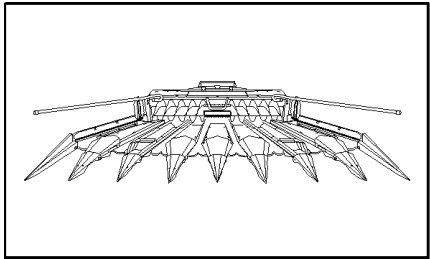


600N8 NH 8-ROW CORN HEAD FOR FX SERIES

12.336(01) WARNING PLATES - LIGHTS

Ref	Part Number	Qty	Description
1	80749217	AR	DECAL,
2	84038714	1	LAMP,
3	84038705	1	GUARD,
4	84041267	1	HARNESS, WIRE,
5	100067	20	NUT, {PP:80100067} M8 x 1.25", CI 8, M8
6	84038707	2	BRACKET,
7	120100	2	BOLT, {PP:80120100} Hex, M6 x 20, 8.8, M6x20
8	412430	8	BOLT, {PP:80412430} Short NK, M6 x 16, CI8.8, Full Thd, M8x16x10
9	84038706	2	CANVAS,
10	80749384	10	SPRING,
11	80749206	10	SPRING,
12	80120104	12	SCREW, M8x20
13	84038708	2	SUPPORT,
14	322357	1	WASHER, LOCK, {PP:80322357} Belleville, M6, Belleville, M6
15	353308	10	NUT, {PP:80353308} M6 x 1, CI 8, M6
16	140048	24	WASHER, LOCK, {PP:80140048} Belleville, M16, 16MM

12.337(01) MARKER BOARDS



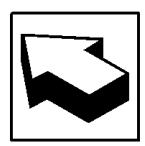
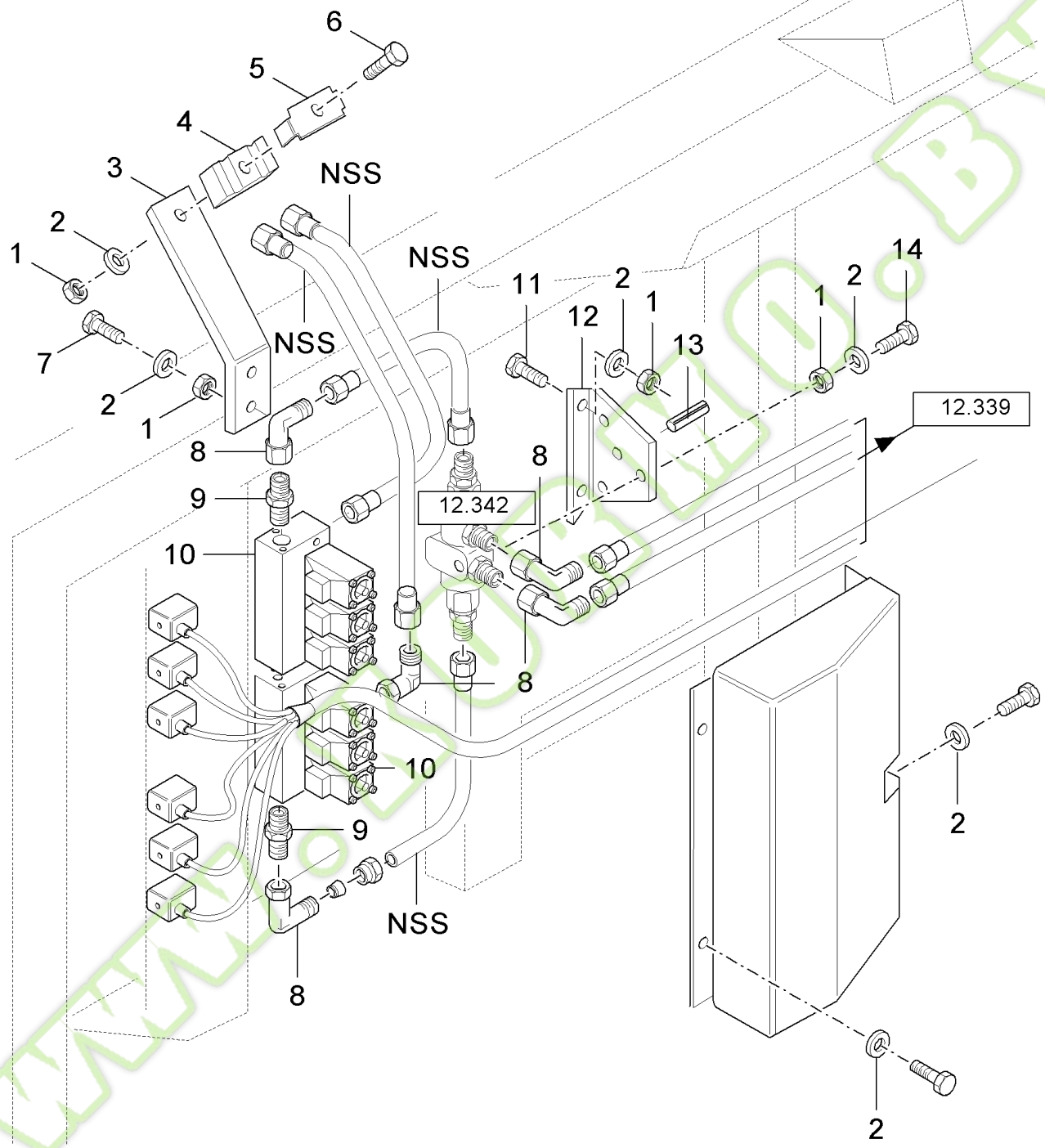
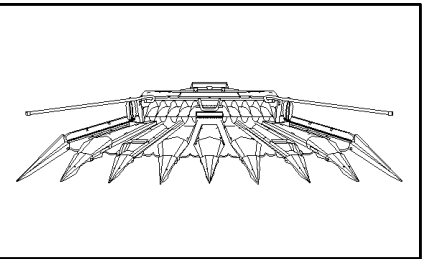
600N8 NH 8-ROW CORN HEAD FOR FX SERIES

12.337(01) MARKER BOARDS

Ref	Part Number	Qty	Description
1	84038710	2	SUPPORT,
2	80749359	2	SHIELD,
3	89509041	8	WASHER,
4	100067	AR	NUT, {PP:80100067} M8 x 1.25", CI 8, M8
5	84038713	2	PLATE,
6	89509060	8	BOLT, M6x16
7	418870	2	BULB, {PP:80418870}
8	84038712	2	PROTECTION CAP,
9	84038711	1	LAMP,
10	84038709	2	LENS,
11	398877	2	BULB, {PP:80398877}

WWW.KORMO.BY

12.338(01) HYDRAULIC SYSTEM

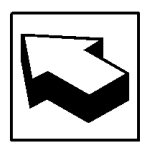
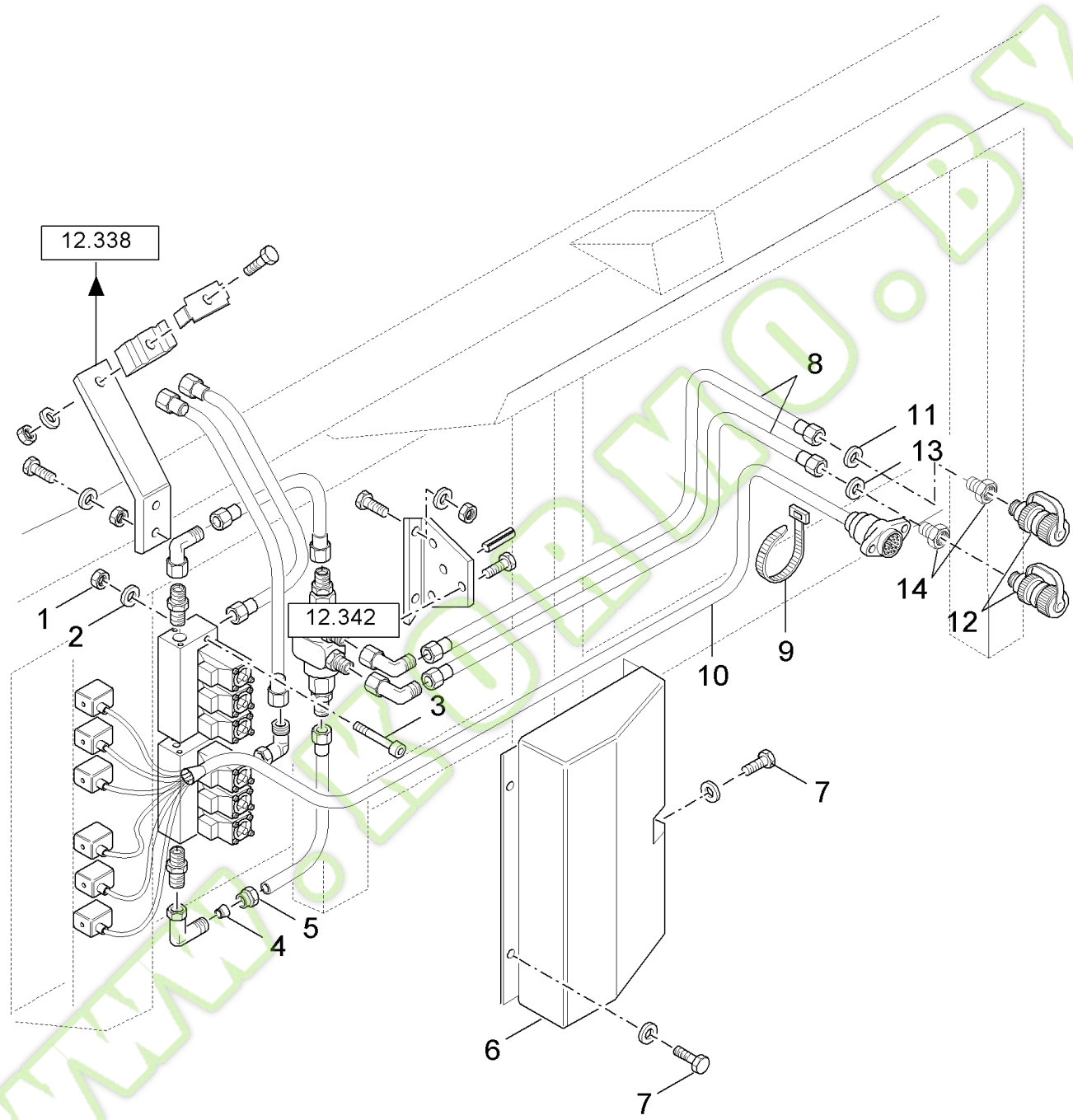
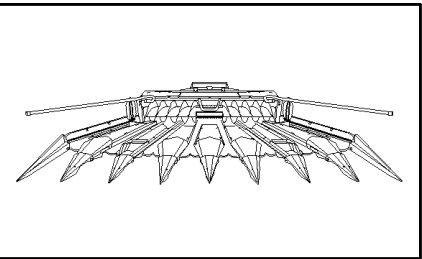


600N8 NH 8-ROW CORN HEAD FOR FX SERIES

12.338(01) HYDRAULIC SYSTEM

Ref	Part Number	Qty	Description
1	100067	6	NUT, {PP:80100067} M8 x 1.25", CI 8, M8
2	322358	9	WASHER, LOCK, {PP:80322358} Belleville, M8, 8MM
3	84038719	1	SUPPORT,
4	84038440	9	PAD, RUBBER,
5	84038441	9	PLATE,
6	300381	3	SCREW, {PP:80300381} Hex, M8 x 35, 8.8, M8x35
8	84038434	12	ELBOW,
9	84038433	10	CONNECTOR, HYD.,
10	84038721	2	VALVE, CONTROL,
11	80120104	2	SCREW, M8x20
12	84038720	1	SUPPORT,
13	80379543	1	PIN,
14	120060	1	SCREW, {PP:80120060} Hex, M8 x 50, 8.8, M8x50
7	16043224	2	SCREW, Hex, M8 x 16, 8.8, Full Thd, M8x16

12.339(01) HYDRAULIC SYSTEM



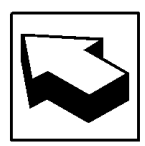
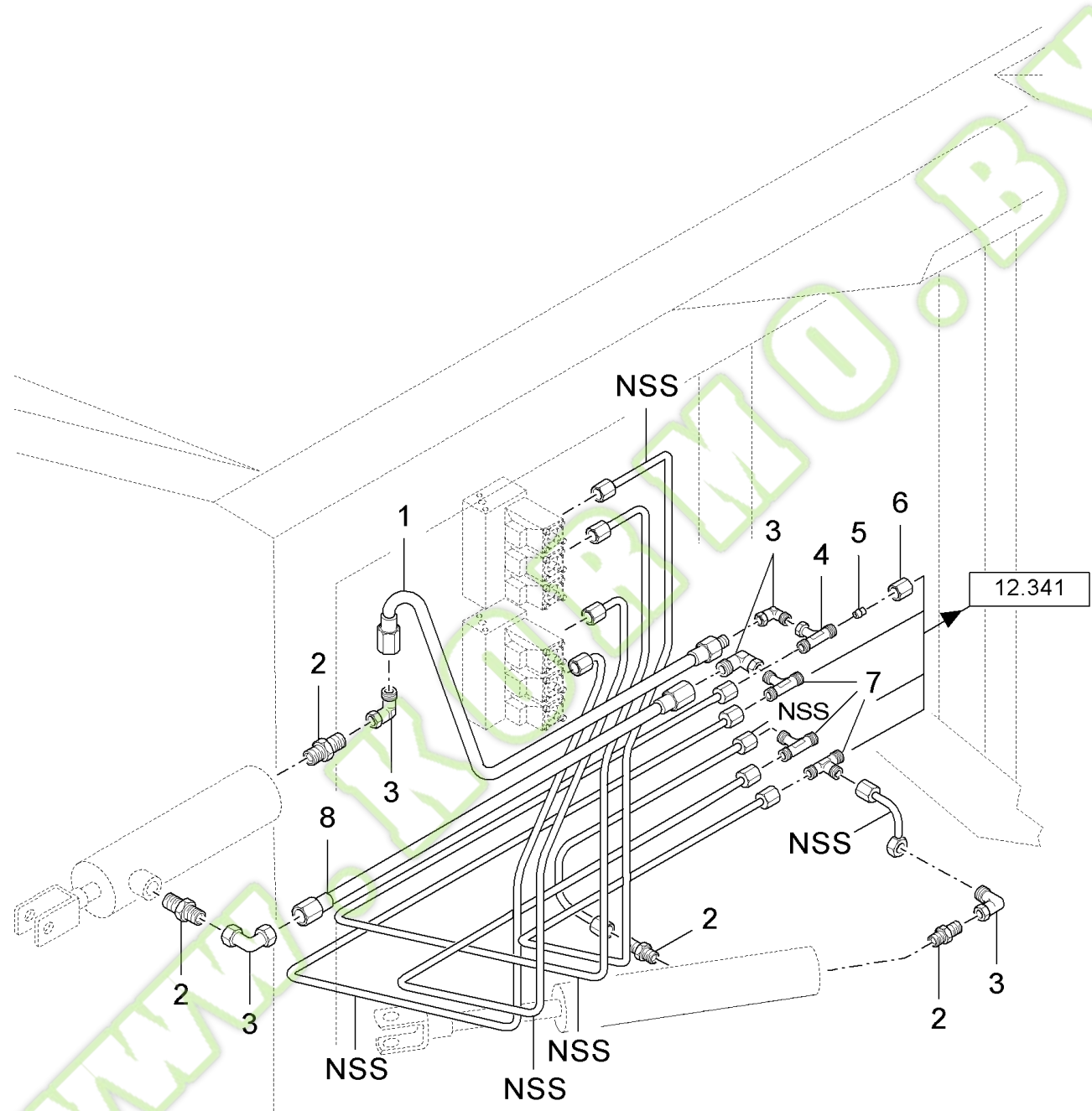
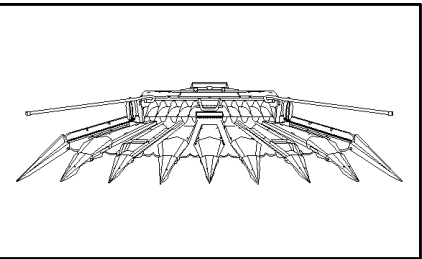
600N8 NH 8-ROW CORN HEAD FOR FX SERIES

12.339(01) HYDRAULIC SYSTEM

Ref	Part Number	Qty	Description
1	353308	4	NUT, {PP:80353308} M6 x 1, CI 8, M6
2	322357	15	WASHER, LOCK, {PP:80322357} Belleville, M6, Belleville, M6
3	356464	4	SCREW, {PP:80356464} M6x45
4	84038438	28	FERRULE,
5	84038439	28	NUT,
6	84038722	1	GUARD,
7	80300380	4	SCREW, M8x12
8	84043051	2	HOSE, FLEXIBLE,
9	89509061	1	CLAMP,
10	84041267	1	HARNESS, WIRE,
11	84038723	1	WASHER,
12	772730	2	COUPLING, QUICK, MALE, {PP:80772730}
13	84038725	1	WASHER,
14	433242	2	CONNECTOR, HYD., {PP:80433242}

WWW.KORMO.BY

12.340(01) HYDRAULIC SYSTEM



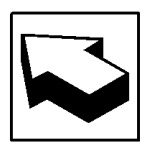
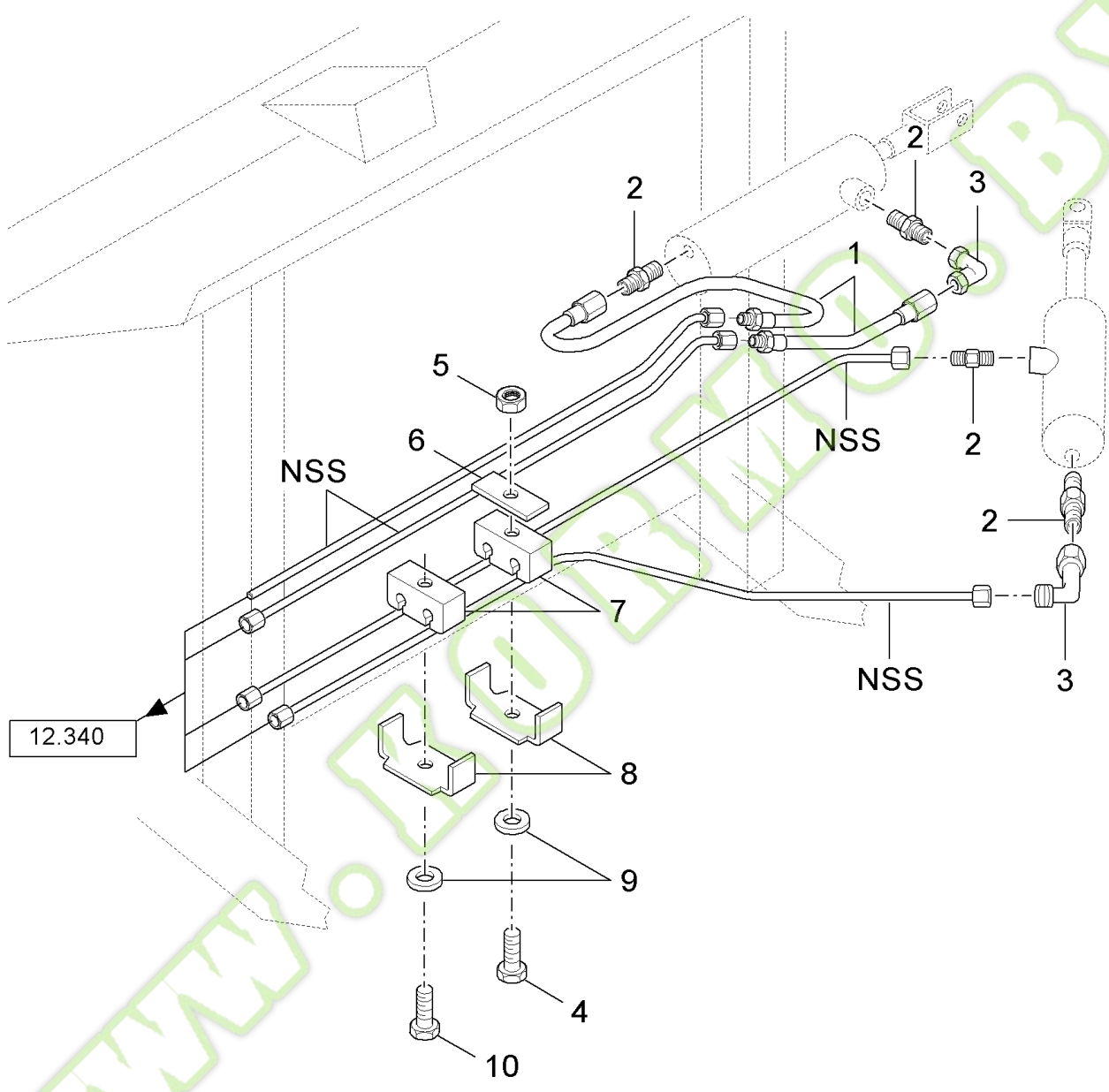
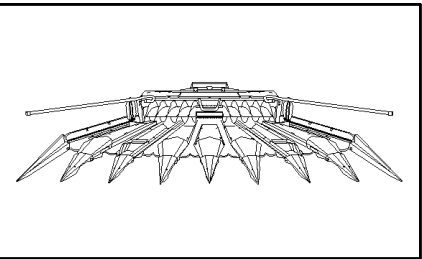
600N8 NH 8-ROW CORN HEAD FOR FX SERIES

12.340(01) HYDRAULIC SYSTEM

Ref	Part Number	Qty	Description
1	84038436	1	HOSE, FLEXIBLE,
2	84038433	4	CONNECTOR, HYD.,
3	84038434	6	ELBOW,
4	84038444	1	CONNECTOR, HYD.,
5	84038438	AR	FERRULE,
6	84038439	AR	NUT,
7	84038726	3	CONNECTOR, HYD.,
8	84038727	1	TUBE,

WWW.KORMO.BY

12.341(01) HYDRAULIC SYSTEM



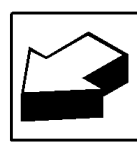
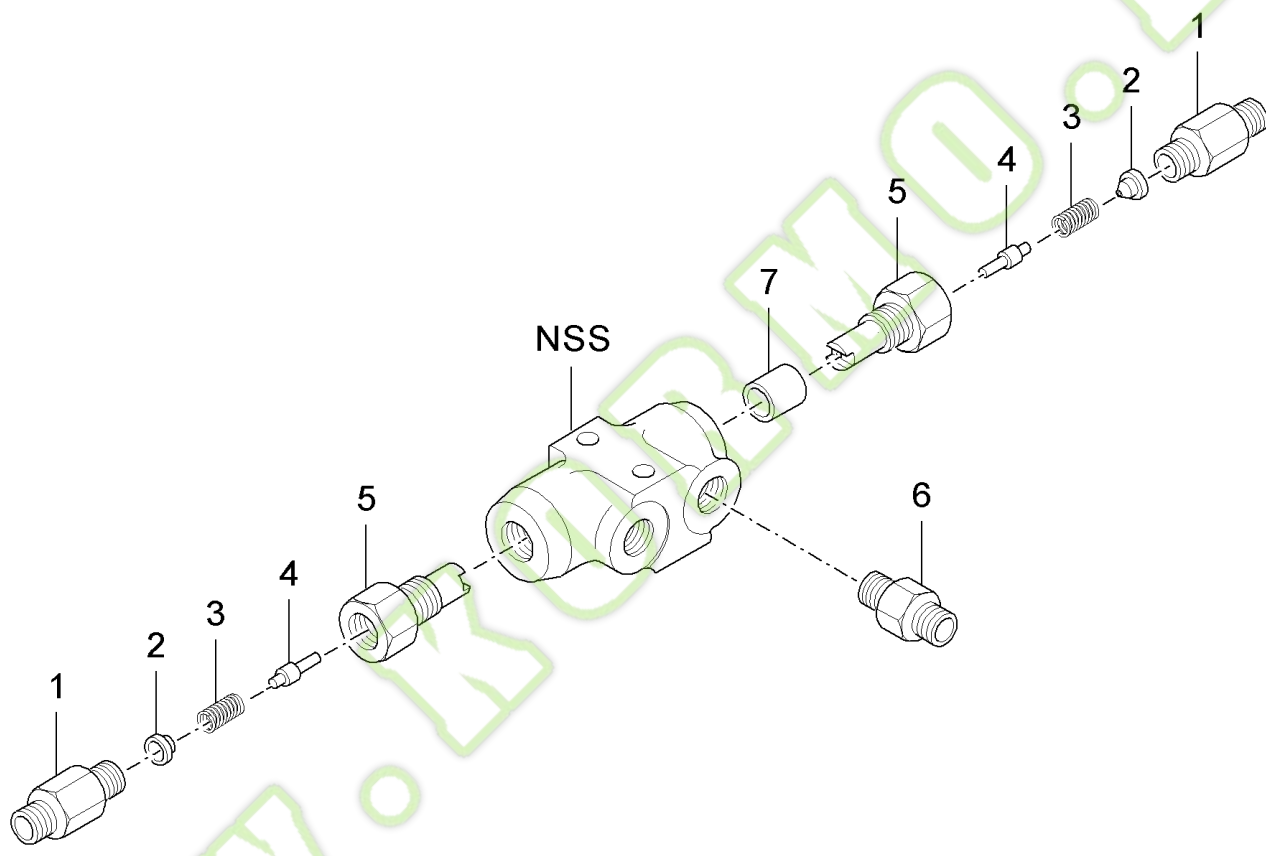
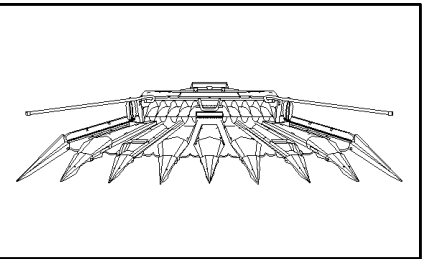
600N8 NH 8-ROW CORN HEAD FOR FX SERIES

12.341(01) HYDRAULIC SYSTEM

Ref	Part Number	Qty	Description
1	84038436	2	HOSE, FLEXIBLE,
2	84038433	4	CONNECTOR, HYD.,
3	84038434	6	ELBOW,
4	300381	3	SCREW, {PP:80300381} Hex, M8 x 35, 8.8, M8x35
5	100067	6	NUT, {PP:80100067} M8 x 1.25", Cl 8, M8
6	84038728	3	PLATE,
7	84038440	9	PAD, RUBBER,
8	84038441	9	PLATE,
9	322358	9	WASHER, LOCK, {PP:80322358} Belleville, M8, 8MM
10	43128	6	SCREW, {PP:80043128} Hex, M8 x 30, 8.8, Cap, HH, CL 8.8, M8 x 1.25 x 30

WWW.KORMO.BY

12.342(01) LOCK-UP VALVE UNIT

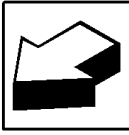
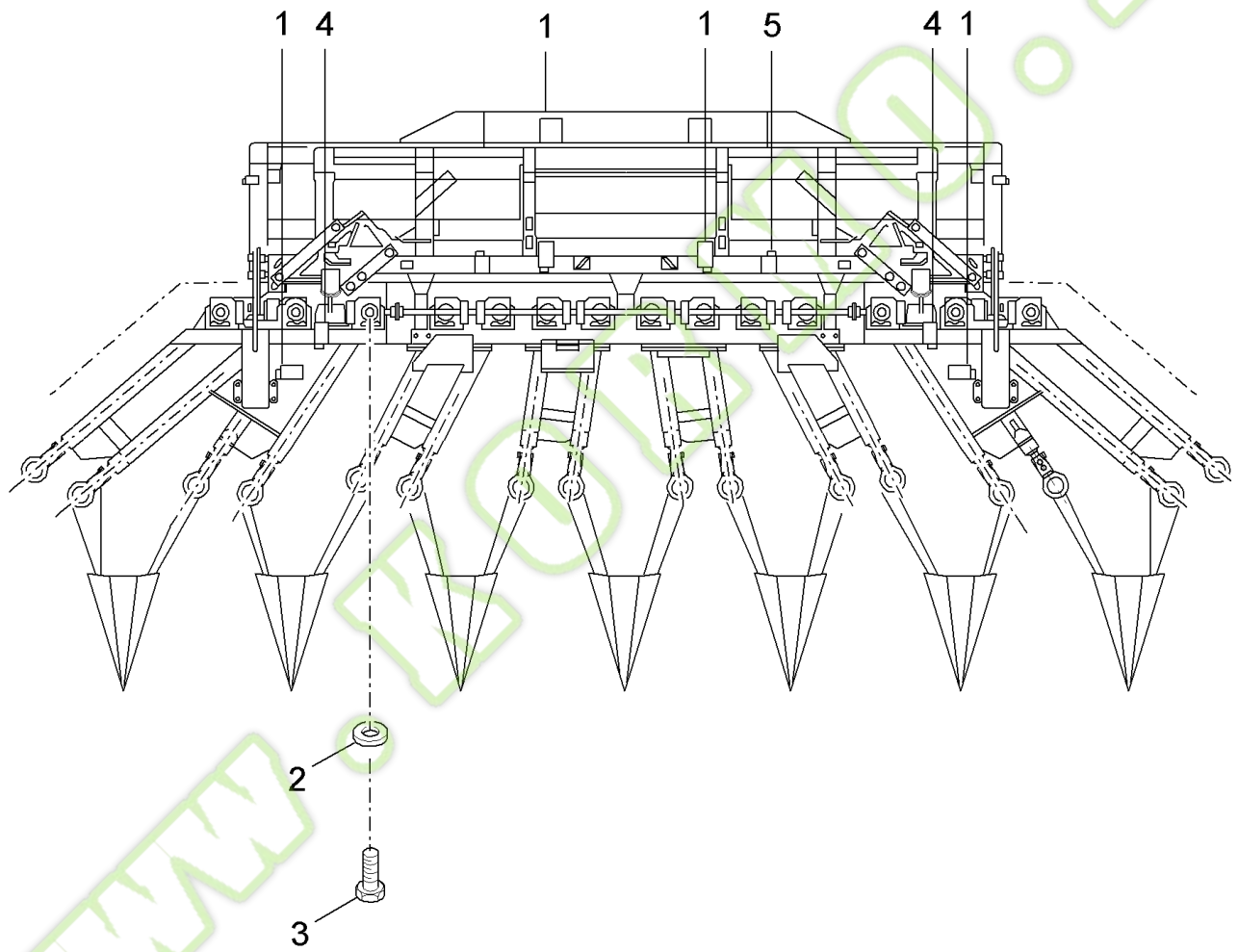
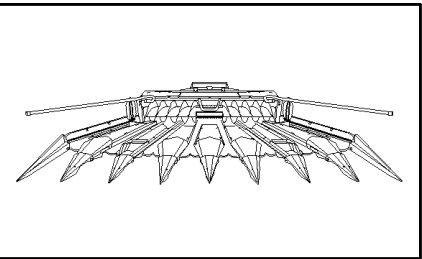


600N8 NH 8-ROW CORN HEAD FOR FX SERIES

12.342(01) LOCK-UP VALVE UNIT

Ref	Part Number	Qty	Description
	84038729	1	HOUSING, (1 TO 7)
1	84038740	2	CONNECTOR, HYD.,
2	84038741	2	GUIDE, SLIDE,
3	84038742	2	SPRING,
4	84038743	2	PIN,
5	84038744	2	CONNECTOR, HYD.,
6	84038433	2	CONNECTOR, HYD.,
7	84038745	1	BEARING, CAMSHAFT,

WWW.KORMO.BY

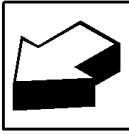
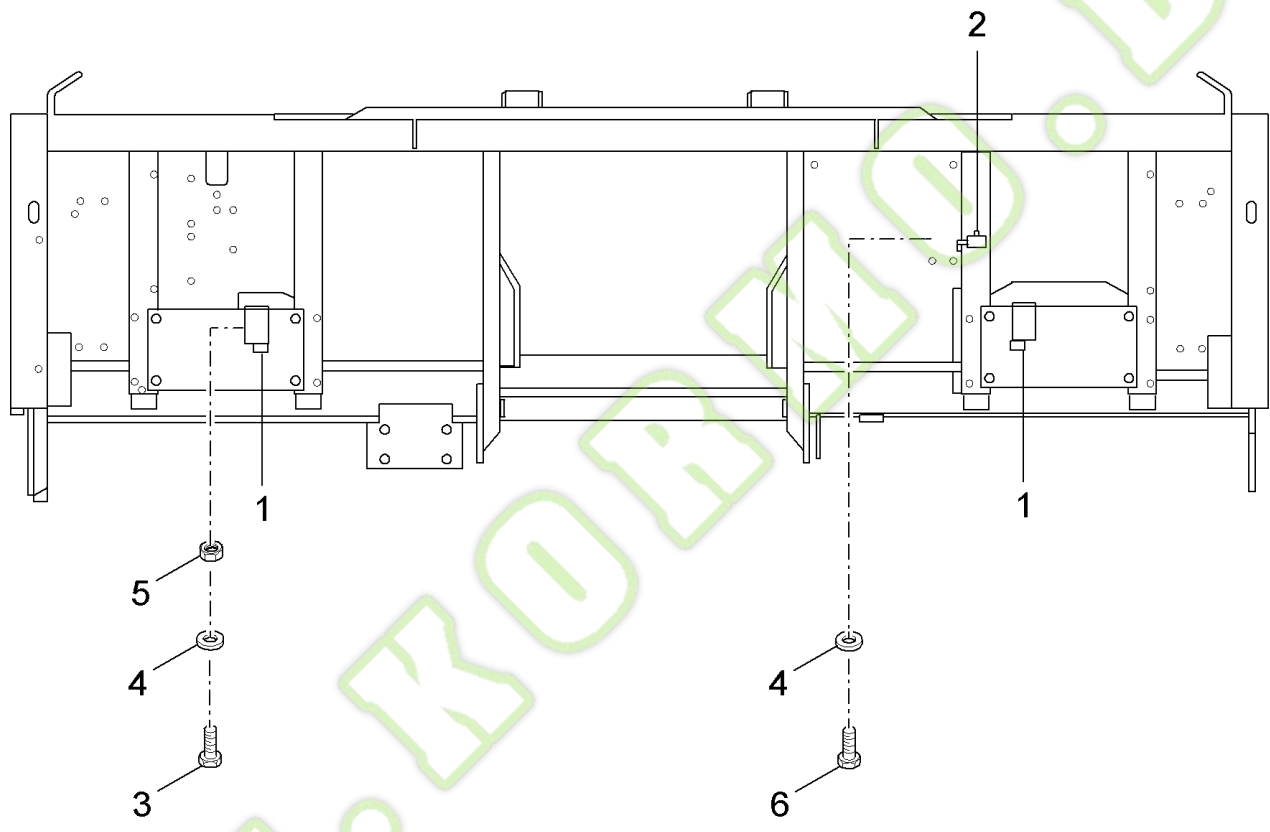
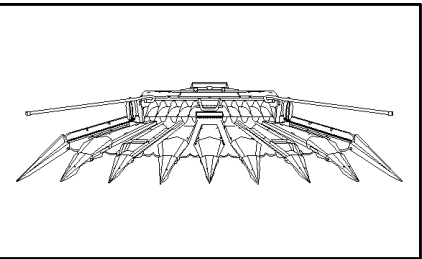


600N8 NH 8-ROW CORN HEAD FOR FX SERIES

12.343(01) CENTRAL LUBRICATION SYSTEM

Ref	Part Number	Qty	Description
1	84038748	4	BLOCK, CONNECTING,
2	80120102	14	SCREW, M6x40
3	322357	14	WASHER, LOCK, {PP:80322357} Belleville, M6, Belleville, M6
4	84038749	2	BLOCK, CONNECTING,
5	84038750	1	BLOCK, CONNECTING,

WWW.KORMO.BY



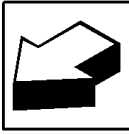
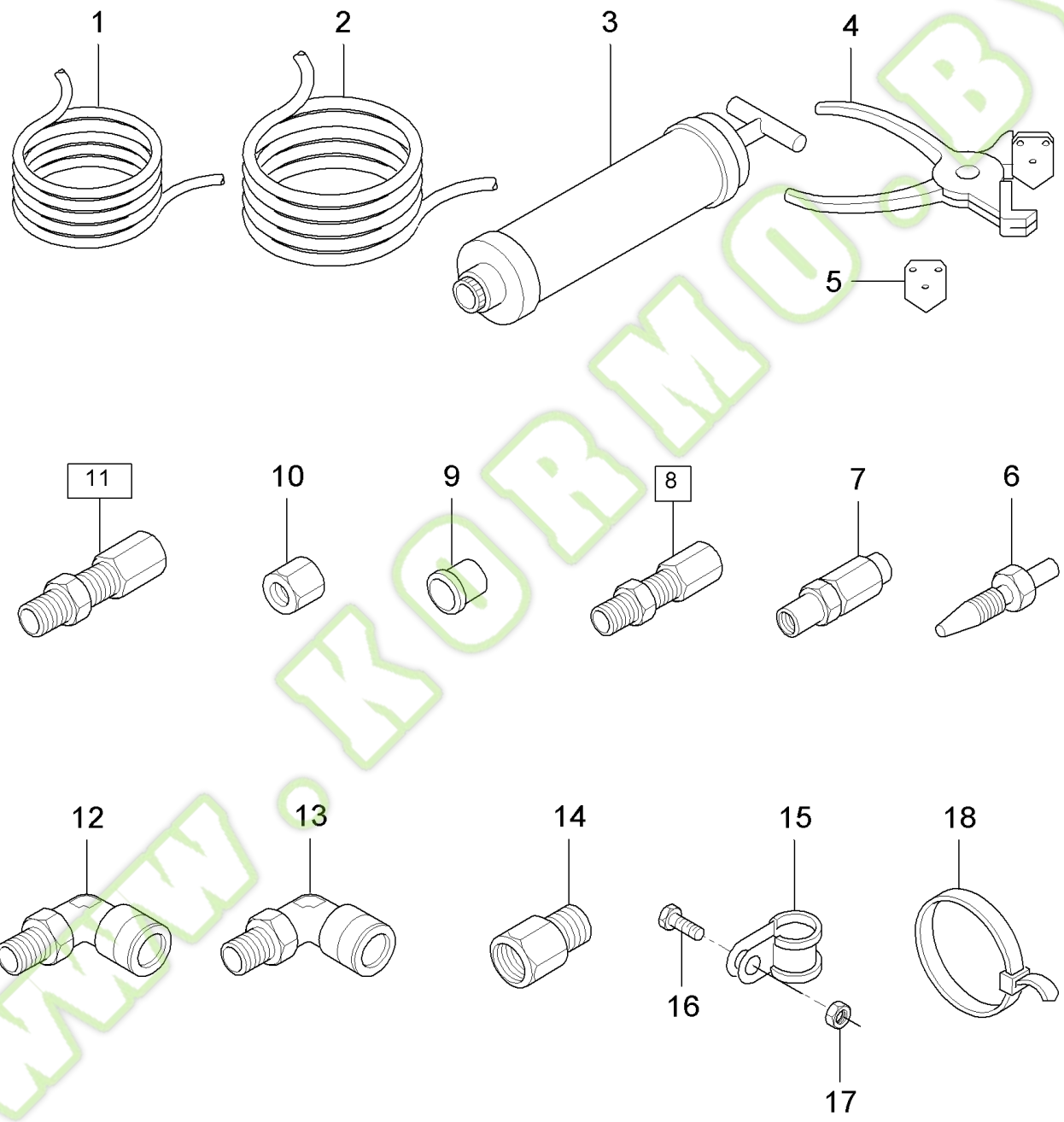
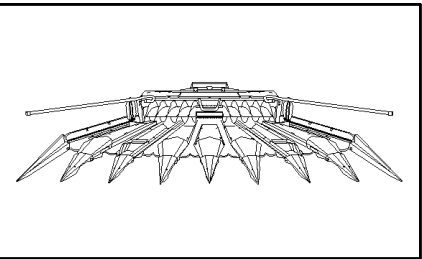
600N8 NH 8-ROW CORN HEAD FOR FX SERIES

12.344(01) CENTRAL LUBRICATION SYSTEM

Ref	Part Number	Qty	Description
1	84038749	2	BLOCK, CONNECTING,
2	84038751	1	BLOCK, CONNECTING,
3	80120102	4	SCREW, M6x40
4	322357	6	WASHER, LOCK, {PP:80322357} Belleville, M6, Belleville, M6
5	9706755	4	NUT, {PP:89706755} M6, Cl 8, M6
6	120101	2	SCREW, {PP:80120101} Hex, M6 x 30, 8.8, Full Thd, M6x30

WWW.KORMO.BY

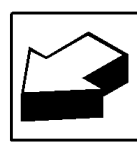
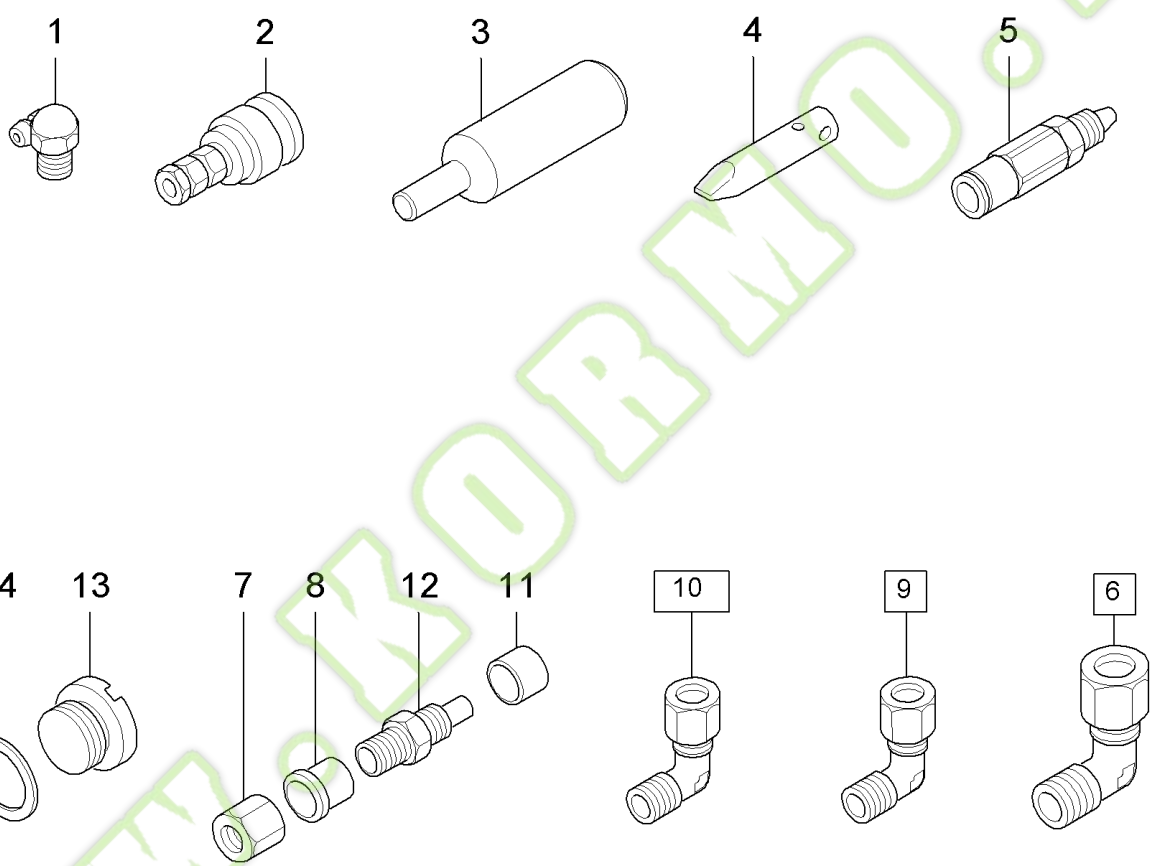
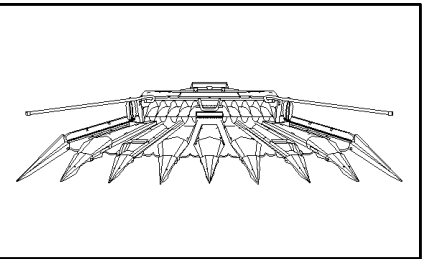
12.345(01) CENTRAL LUBRICATION SYSTEM



600N8 NH 8-ROW CORN HEAD FOR FX SERIES

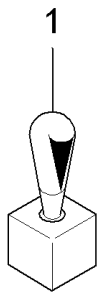
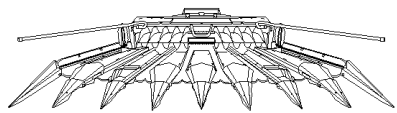
12.345(01) CENTRAL LUBRICATION SYSTEM

Ref	Part Number	Qty	Description
1	84038753	AR	HOSE,
2	84038754	AR	HOSE,
3	84038755	1	GUN, GREASE,
4	84038756	1	TOOL, GENERAL,
5	84038757	1	CUTTING BLADE,
6	84038758	AR	CONNECTOR, HYD.,
7	84038759	AR	CONNECTOR, HYD.,
8	84038760	AR	CONNECTOR, HYD., (9,10)
9	84038761	AR	FERRULE,
10	84038762	AR	NUT,
11	84038763	AR	CONNECTOR, HYD., (9,10)
12	84038764	AR	ELBOW,
13	84038765	AR	ELBOW,
14	84038766	AR	CONNECTOR, HYD.,
15	84038767	AR	CLAMP,
16	120098	AR	SCREW, {PP:80120098} Hex, M5 x 20, 8.8, Full Thd, M5x20
17	89509031	AR	NUT, M5
18	84038768	AR	CLAMP,



Ref	Part Number	Qty	Description
1	84038769	AR	NIPPLE, LUBE,
2	84038770	AR	CONNECTOR, HYD.,
3	84038771	1	TOOL, GENERAL,
4	84038772	1	TOOL, GENERAL,
5	84038773	AR	CONNECTOR, HYD.,
6	84038774	AR	ELBOW, (7,8)
7	84038762	AR	NUT,
8	84038761	AR	FERRULE,
9	84038775	AR	ELBOW, (7,8)
10	84038776	AR	ELBOW, (7,8)
11	84038777	AR	RING,
12	84038778	AR	HOUSING,
13	84038779	AR	PLUG,
14	84038780	AR	RING,

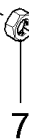
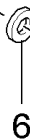
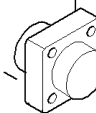
WWW.KORMO.BY



2



4



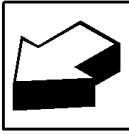
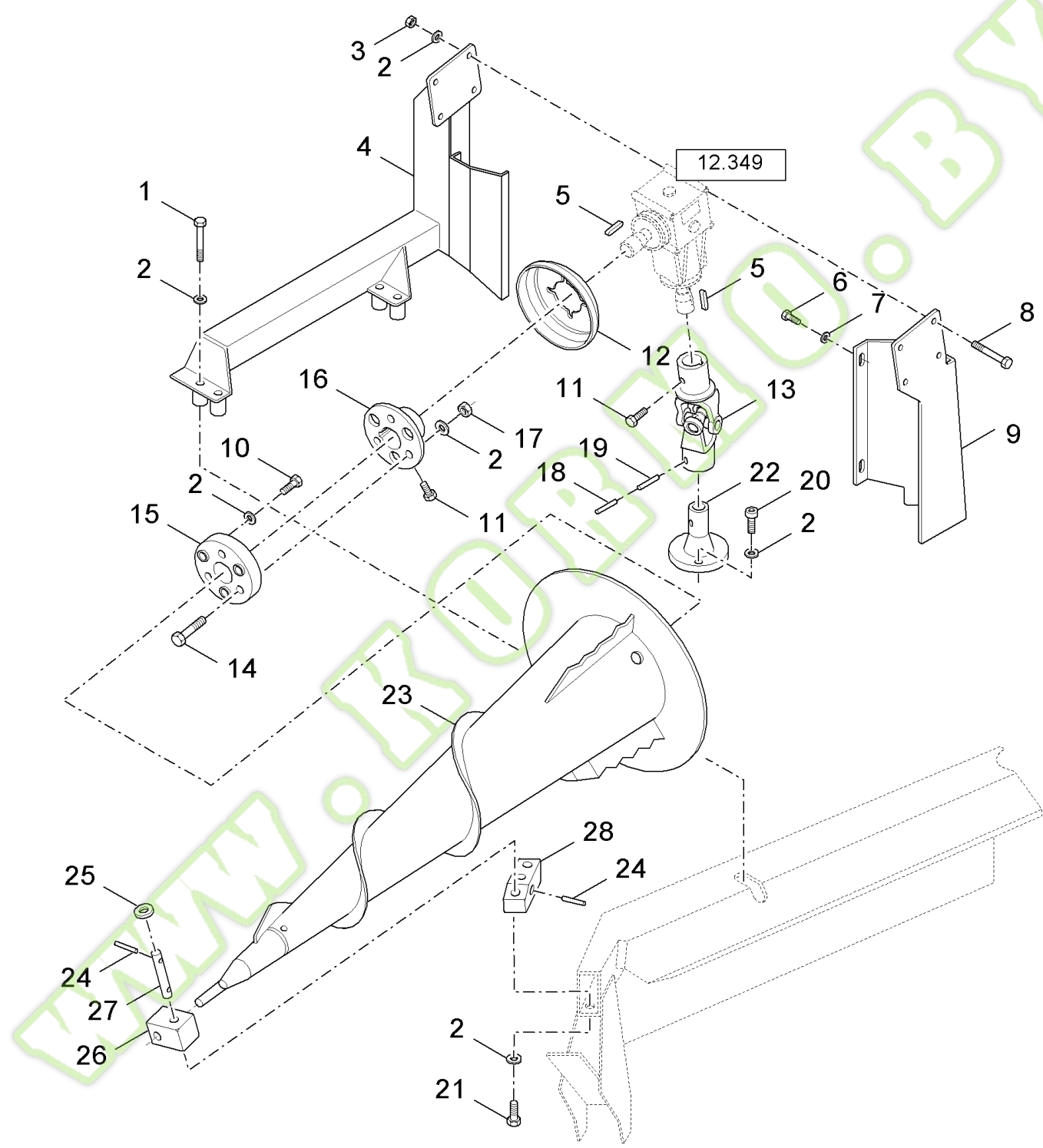
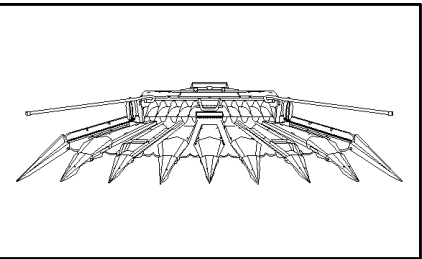
600N8 NH 8-ROW CORN HEAD FOR FX SERIES

12.347(01) "FLIP UP" KIT

Ref	Part Number	Qty	Description
1	9850817	1	SWITCH, FAN, {PP:89850817}
2	84002808	1	HARNESS, WIRE,
3	323597	1	STRAP, {PP:80323597}
4	398224	1	SOCKET, POWER, {PP:80398224}
5	412658	3	SCREW, {PP:80412658} Cross Pan Hd, M4 x 40, M4x40
6	322355	3	WASHER, LOCK, {PP:80322355} Belleville, M4, 4MM
7	100012	3	NUT, {PP:80100012} M4, CI 8, M4

WWW.KORMO.BY

12.348(01) LOGGED MAIZE AUGERS

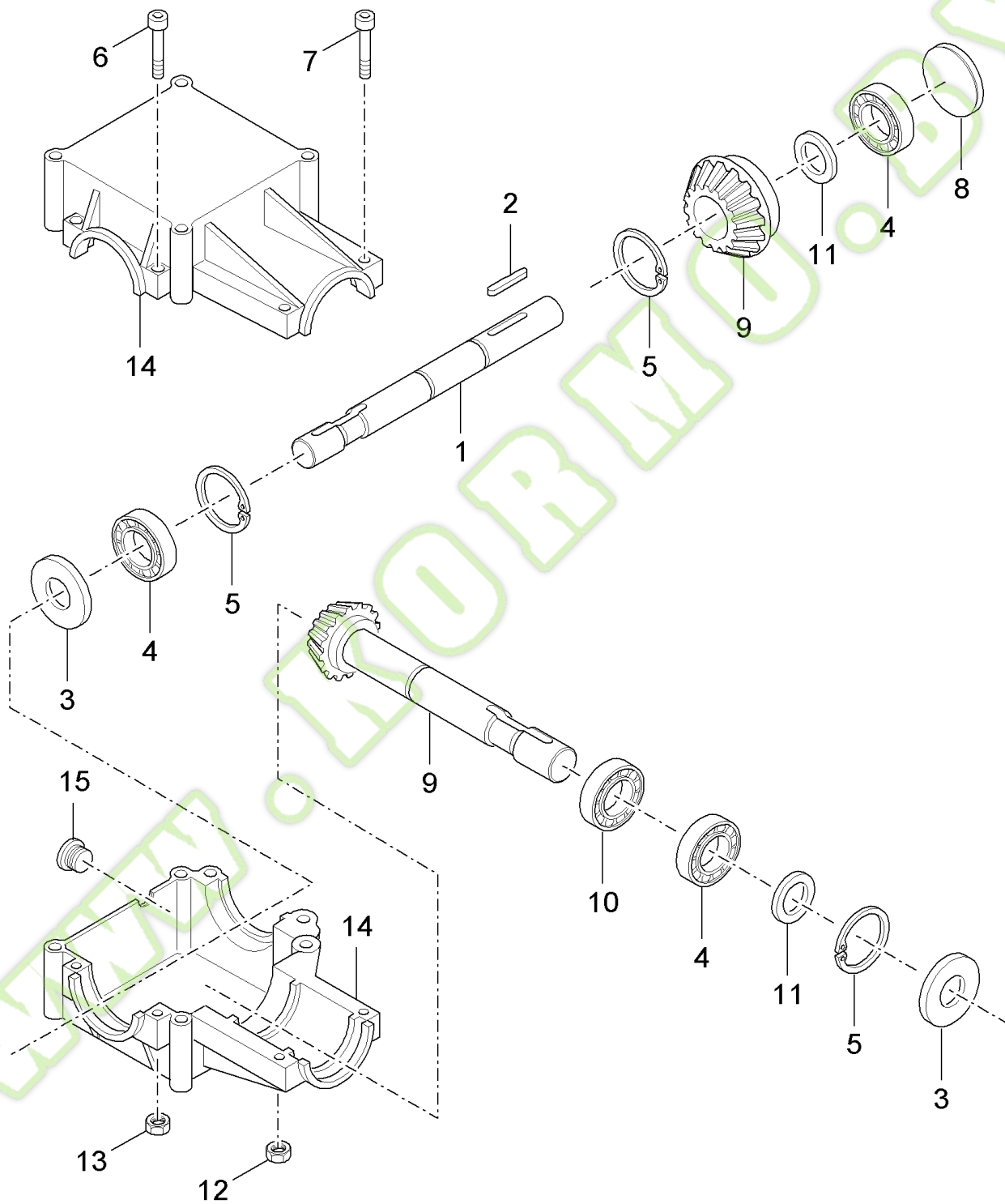
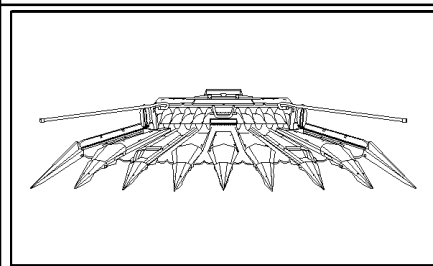


600N8 NH 8-ROW CORN HEAD FOR FX SERIES

12.348(01) LOGED MAIZE AUGERS

Ref	Part Number	Qty	Description
1	412217	8	SCREW, {PP:80412217} Hex, M10 x 55, 8.8, M10x55
2	140045	AR	WASHER, LOCK, {PP:80140045} Belleville, M10, 10MM
3	100016	8	NUT, {PP:80100016} M10, CI 8, M10
4	84041656	1	SUPPORT, RH
4	84041657	1	SUPPORT, LH
5	80727484	6	KEY,
7	322358	4	WASHER, LOCK, {PP:80322358} Belleville, M8, 8MM
8	120077	8	SCREW, {PP:80120077} Hex, M10 x 120, 8.8, M10x120
9	84041658	1	SUPPORT, RH
9	84041659	1	SUPPORT, LH
10	120112	6	SCREW, {PP:80120112} Hex, M10 x 40, 8.8, Full Thd, M10x40
11	80300383	6	SCREW, M10x16
12	89837491	2	COVER,
13	84041660	2	JOINT, UNIVERSAL,
14	120113	6	BOLT, {PP:80120113} Hex, M10 x 50, 8.8, Full Thd, M10x50
15	89837483	2	DISC,
16	89837490	2	PLATFORM, RIGID,
17	100037	6	NUT, {PP:80100037} M10 x 1.5, CI 8, M10
18	80749445	2	PIN, SPLIT (COTTER),
19	86977791	2	PIN, ROLL, M8 x 45, Slotted,
20	300441	4	SCREW, {PP:80300441} M10x20
21	43139	4	SCREW, {PP:80043139} Hex, M10 x 25, 8.8, Full Thd, M10x25
22	89837499	2	PLATE,
23	84041661	1	DIVIDER, RH
23	84041662	1	DIVIDER, LH
24	9511051	4	PIN, {PP:89511051} M6 x 30, Slotted,
25	378246	2	WASHER, {PP:80378246}
26	89837506	2	BLOCK,
27	89837537	2	SPINDLE,
28	89837505	2	BLOCK,
6	16043224	4	SCREW, Hex, M8 x 16, 8.8, Full Thd, M8x16

12.349(01) GEARBOX



600N8 NH 8-ROW CORN HEAD FOR FX SERIES

12.349(01) GEARBOX

Ref	Part Number	Qty	Description
	89837492	1	GEARBOX, (1 TO 15)
1	89837760	1	SHAFT,
2	170043	1	KEY, {PP:80170043}
3	89837761	2	SEAL,
4	210041	3	BEARING ASSY, {PP:80210041}
5	80370002	3	CIRCLIP,
6	356464	4	SCREW, {PP:80356464}
7	386045	2	SCREW, {PP:80386045} Hex, M8 x 45, 8.8, M8x45
8	89508991	1	CAP, FLANGE COVER,
9	89837762	1	SHAFT,
10	105892	1	BEARING, BALL, {PP:80105892}
11	89837763	AR	PLATE, ADJUSTING,
12	100015	2	NUT, {PP:80100015} M8, CI 8, M8
13	9706755	4	NUT, {PP:89706755} M6, CI 8, M6
14	89837764	2	SUMP,
15	89837765	1	PLUG,

WWW.KORMO.BY