

Attachments

**for DC510 DIRECT CUT HEADER,
FROM S_N 593000001 ONWARDS (5_00-)**

FX28 SELF-PROPELLED FORAGE HARVESTER (9/98-)

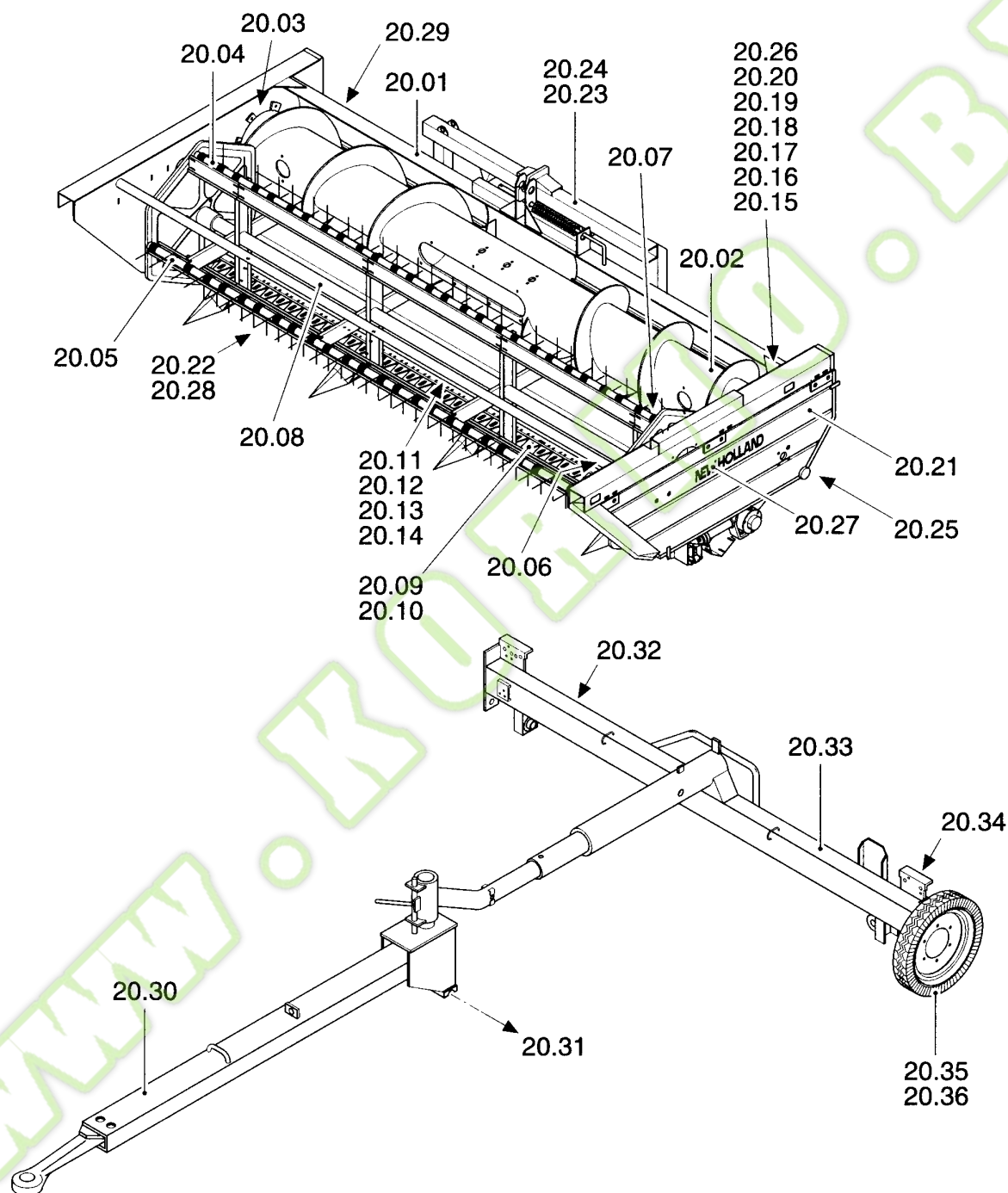
FX38 SELF-PROPELLED FORAGE HARVESTER (9/98-)

FX48 SELF-PROPELLED FORAGE HARVESTER (9/98-)

FX58 SELF-PROPELLED FORAGE HARVESTER (9/98-)

WWW.KORMO.BY

MAIN SECTIONS	SECTIONS PRINCIPALES	SECCIONES PRINCIPALES	HOVEDAFSNIT
SEZIONI PRINCIPALI	HAUPTABSCHNITTE	SECÇÕES PRINCIPAIS	HOOFDSECTIES



0.0016(01) MAIN SECTIONS

Ref	Part Number	Qty	Description
<p>WWW.KORMO.BY</p>			

HEADERS

BEC CUEILLEUR

BARRA

SKÆREBORDE

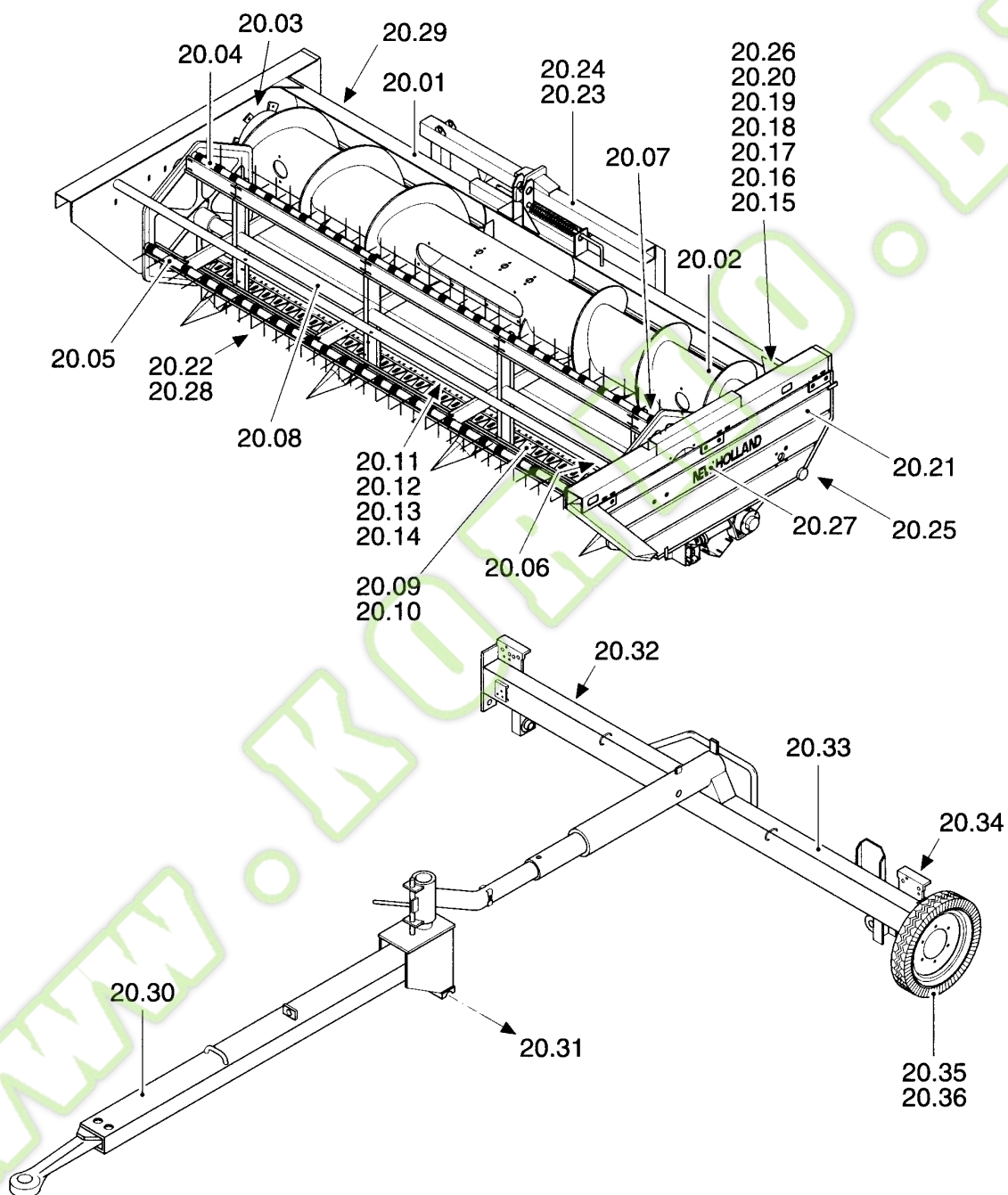
BARRA

SCHNEIDWERK

CABEÇALHO DE CEIFA

MAAIBORDEN

SEC. 20



Ref	Part Number	Qty	Description
<p>WWW.KORMO.BY</p>			

**VERSION LIST
ELENCO VERSIONI
LISTE DE VERSION
VERZEICHNIS DER VERSIONEN**

**LISTA DE VERSIONES
LISTA DAS VERSÕES
TYPELISTE
LIJST VAN VERSIES**

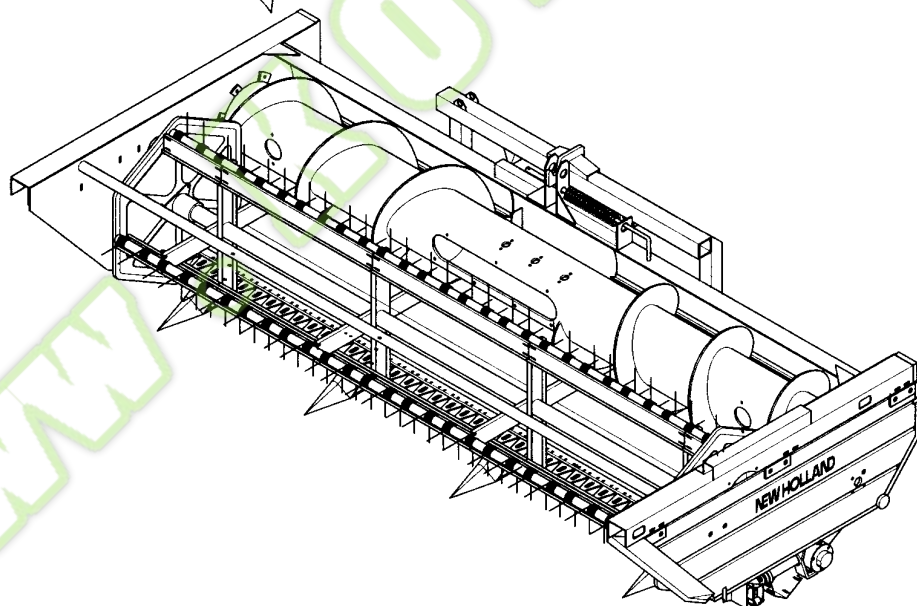
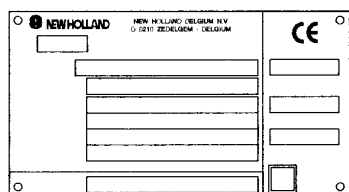
Vehicle Modello Modele Modells	Modelo Modelo Model Model	Chassi Telaio Chassis Fahrgestell	Chasis Armação Stativ Raam	Engine Motore Moteur Motor	Motor Motor Motor Motor
DC510		593160001			

Ref	Part Number	Qty	Description
			

IDENTIFICATION PLATES
TARGHETTE DI IDENTIFICAZIONE
PLAQUES D'IDENTIFICATION
TYPENSCHILDER

PLACAS DE IDENTIFICACIÓN
CHAPAS DE IDENTIFICAÇÃO
IDENTIFIKATIONSPLADER
IDENTIFICATIEPLATEN

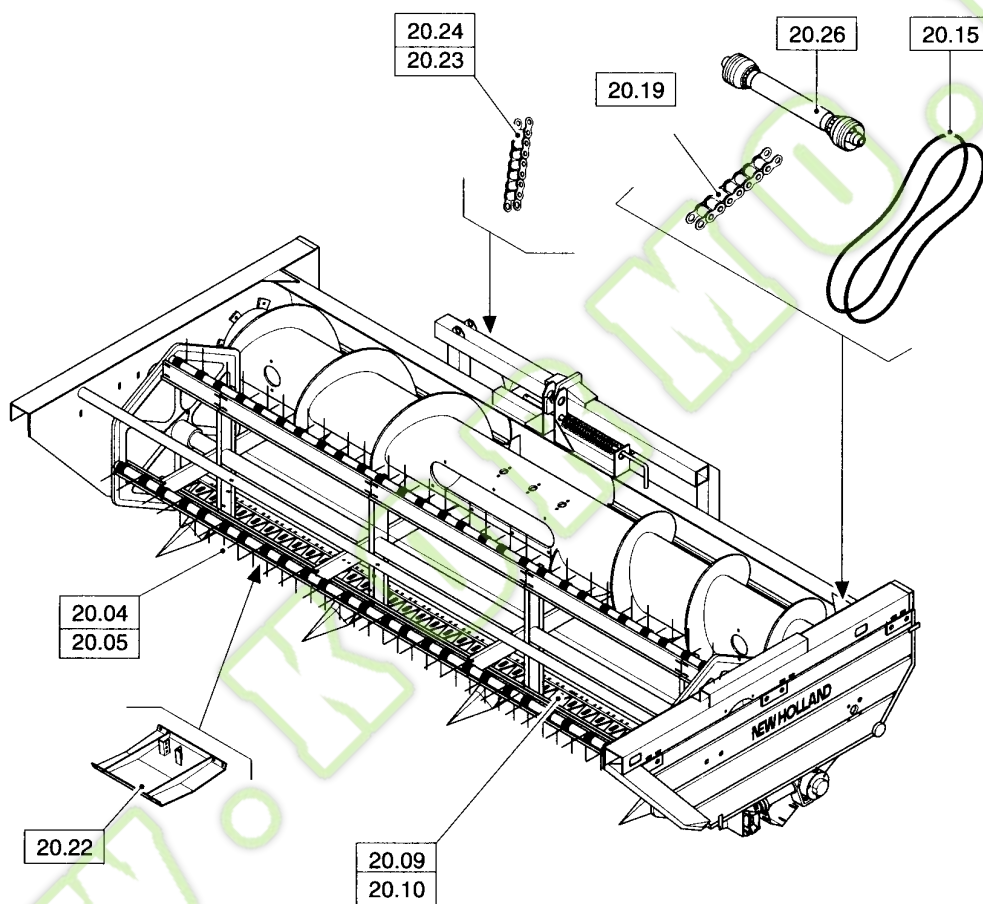
VEHICLE IDENTIFICATION
IDENTIFICAZIONE MODELLO
IDENTIFICATION MODELE
KENNZEICHEN MODELLS
IDENTIFICACION MODELO
IDENTIFICAÇÃO DO MODELO
MODELKENDINGSPLADE
MODELIDENTIFICATIE



Ref	Part Number	Qty	Description
<p>WWW.KORMO.BY</p>			

MAINTENANCE PARTS
PARTICOLARI PER LA MANUTENZIONE
PIECES DE MAINTENANCE
TEILE FÜR DIE INSTANDHALTUNG

PIEZAS DE MANTENIMIENTO
PEÇAS DE MANUTENÇÃO
VEDLIGEHOULDESEDELE
ONDERDELEN VOOR ONDERHOUD



Ref	Part Number	Qty	Description
<p>WWW.KORMO.BY</p>			

**CODE TABLE
TABELLA CODICI
TABLE DES CODES
KODETABELLE**

**TABLA DE CÓDIGOS
TABELA DE CÓDIGOS
KODESKEMA
CODETABEL**

WWW.KORMO.BY

Ref	Part Number	Qty	Description
			

INITIAL STOCKING LIST
ELENCO DI STOCCAGGIO INIZIALE
LISTE DU STOCK INITIAL
VERZEICHNIS DES ANFANGSBESTANDES

LISTA INICIAL DE STOCK
LISTA DE STOCK INICIAL
START-LAGERLISTE
INITIELE STOCKLIJST

DIRECT CUT HEADER - SPFH

NH Part No.	N	Description	D C 5 1 0	Quantity per no. of units				Catalogue Reference	Remarks
				1	3	5	10		
84429486		Shaft jurnal	X	1	2	3	4	20.02-2	
84429487		Shaft jurnal	X	1	2	3	4	20.02-3	
84429403		Nut	X	5	10	15	20	20.04-2	
80412217		Bolt	X	5	10	15	20	20.04-3	
84429482		Shim	X	5	10	15	20	20.04-4	
84429420		Double spring tines	X	20	35	50	100	20.04-5	
80300383		Bolt	X	5	10	15	20	20.04-10	
84429478		Sleeve	X	2	2	5	10	20.04-13	
84429375		Adjustable bearing	X	0	1	2	2	20.06-12	
84429491		Guide roller	X	2	2	4	6	20.07-1	
84429357		Double mulch finger	X	0	1	2	3	20.09-4	
84429355		Double mulch finger	X	10	10	20	30	20.09-6	
84429356		Double mulch finger	X	0	1	2	3	20.09-7	
84429489		Knife clip	X	5	10	15	20	20.09-8	
80393698		Countersunk screw	X	5	10	15	20	20.09-18	
84429381		Knife with head, LH	X	1	2	3	4	20.10-1	
84429500		Knife piece	X	1	2	3	4	20.10-2	
84429499		Knife head, LH	X	1	2	3	4	20.10-3	
84429501		Knife head, RH	X	1	2	3	4	20.10-4	
84429382		Knife with head, RH	X	1	2	3	4	20.10-5	
84429498		Lamina	X	1	2	3	4	20.10-6	
84429359		Knife section	X	20	35	50	100	20.10-10	
84429377		Tension sleeve	X	2	2	4	6	20.11-10	
84429464		Coupling bearing	X	1	2	3	4	20.12-6	
84429346		Narrow V-belt set	X	1	2	3	4	20.15-8	
84429422		Roller chains	X	0	0	1	2	20.17-10	
84429423		Roller chains	X	0	0	1	2	20.19-2	
84429561		File shoe	X	0	1	2	3	20.22-1	
84429562		Sliding plate	X	0	1	2	3	20.22-6	
84429721		Chain	X	0	0	1	2	20.23-20	
84429720		Chain	X	0	0	1	2	20.24-6	
84429701		Roller	X	2	4	6	8	20.25-7	
84429364		Grooved ball bearing	X	0	2	3	4	20.31-5	

This Initial Stocking List was developed using Catalogue No. 6032602500 - 1 st Edition 07-2000

Ref	Part Number	Qty	Description
			

HEADERS

BEC CUEILLEUR

BARRA

SKÆREBORDE

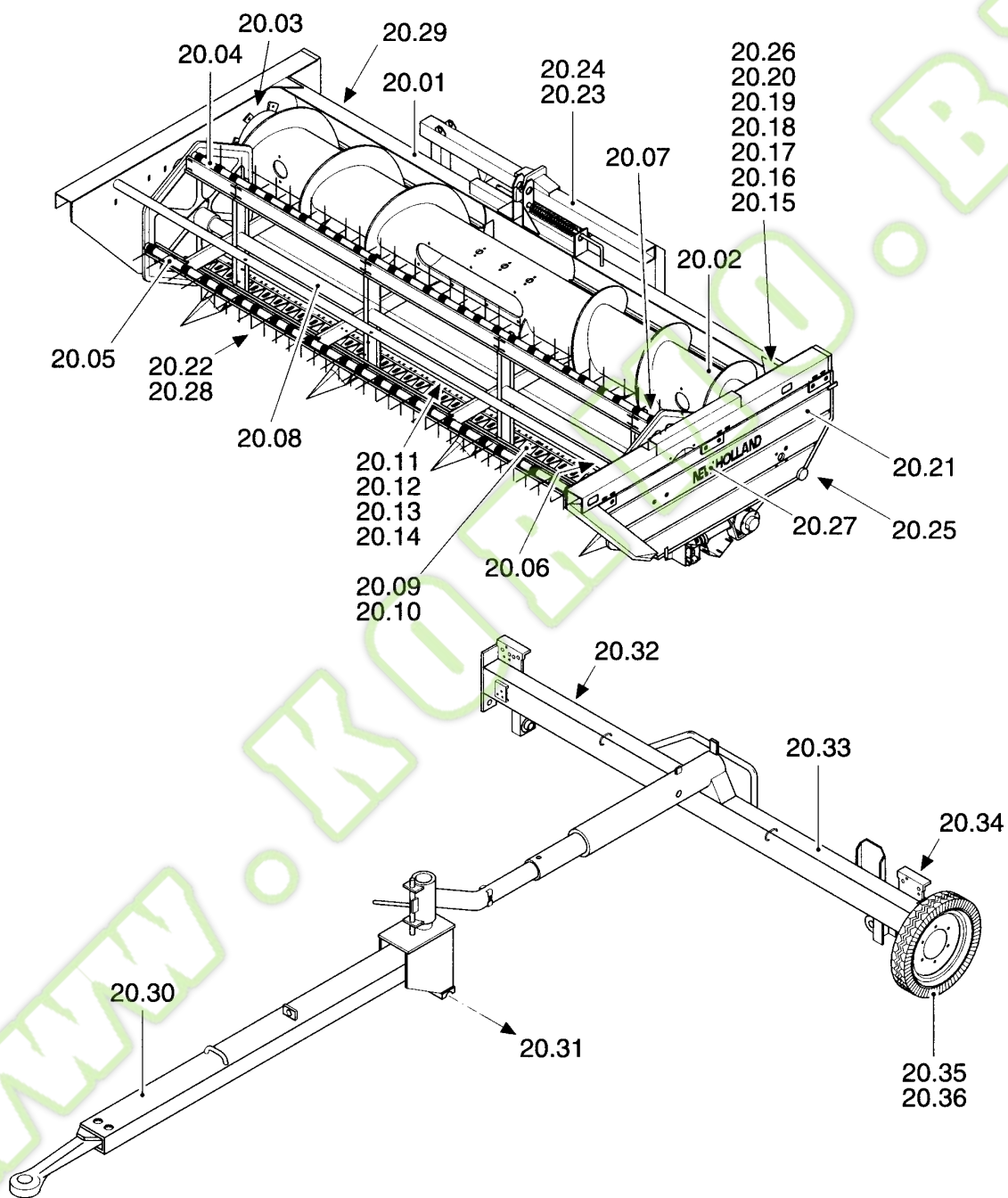
BARRA

SCHNEIDWERK

CABEÇALHO DE CEIFA

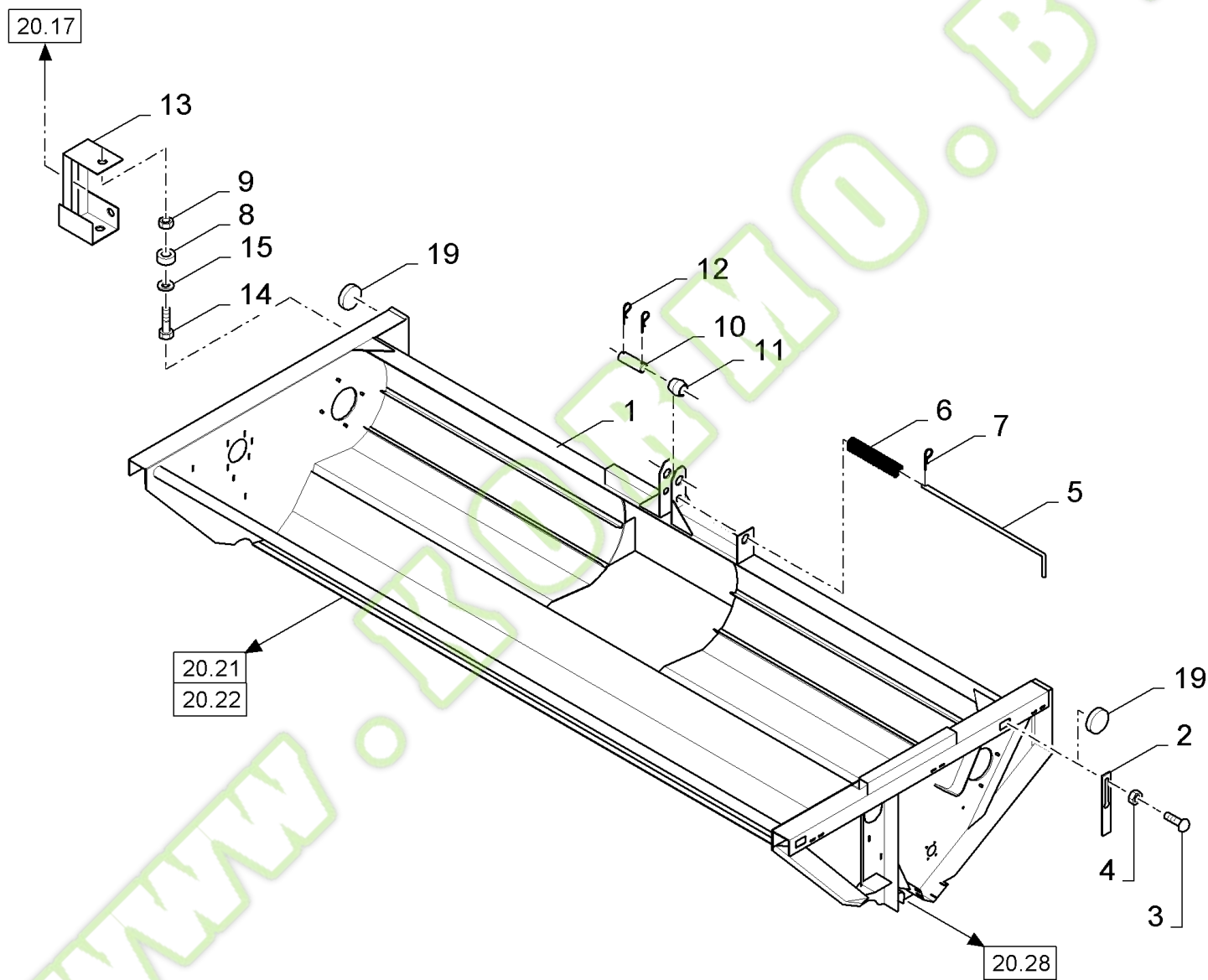
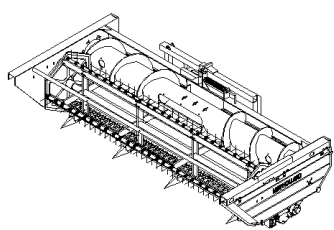
MAAIBORDEN

SEC. 20



Ref	Part Number	Qty	Description
<p>WWW.KORMO.BY</p>			

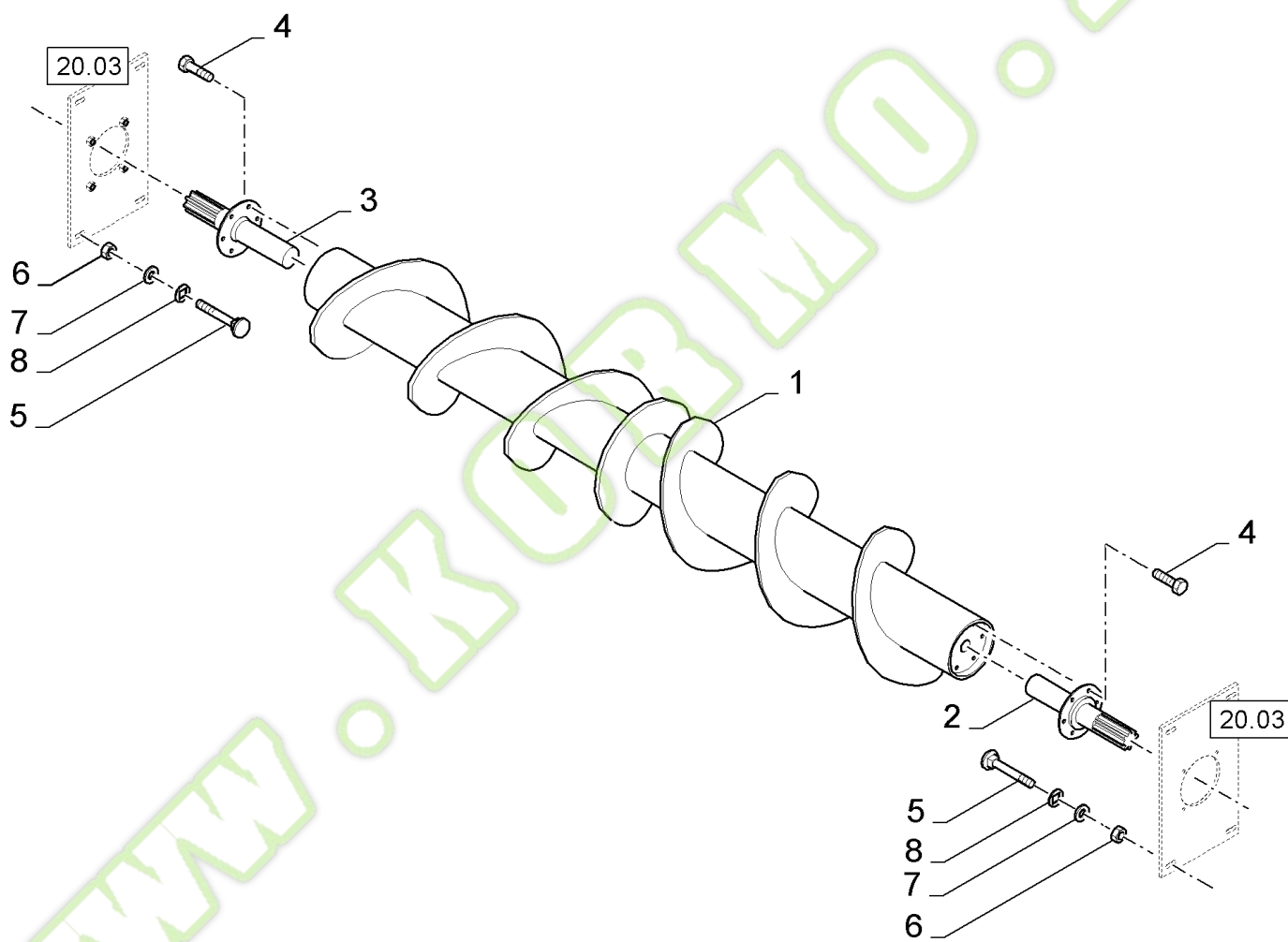
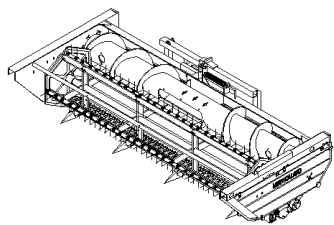
20.01(01) FRAME



20.01(01) FRAME

Ref	Part Number	Qty	Description
1	84429684	1	FRAME,
2	84429685	4	SUPPORT,
3	07753092	4	SCREW, {PP:84429686} M8x20
4	825-1408	4	NUT, {PP:84429614} M8, CI 8, M8
5	84429687	1	SUPPORT,
6	06710067	1	SPRING, {PP:84429688}
7	84429689	1	PIN, SPLIT (COTTER),
8	895-11016	4	WASHER, {PP:84429624} M16 x 30 x 3, 17MM
9	84429619	4	NUT, M16
10	84429690	1	BOLT,
11	84429691	1	BUSHING,
12	06402755	2	PIN, SPLIT (COTTER), {PP:84429692}
13	31014977	1	SUPPORT, {PP:84429693}
14	614-16040	4	SCREW, {PP:84429694} Hex, M16 x 40, 8.8, Hex, M16 x 40, 8.8
15	06577093	4	WASHER, LOCK, {PP:84429695} M16

20.02(01) FEED AUGER

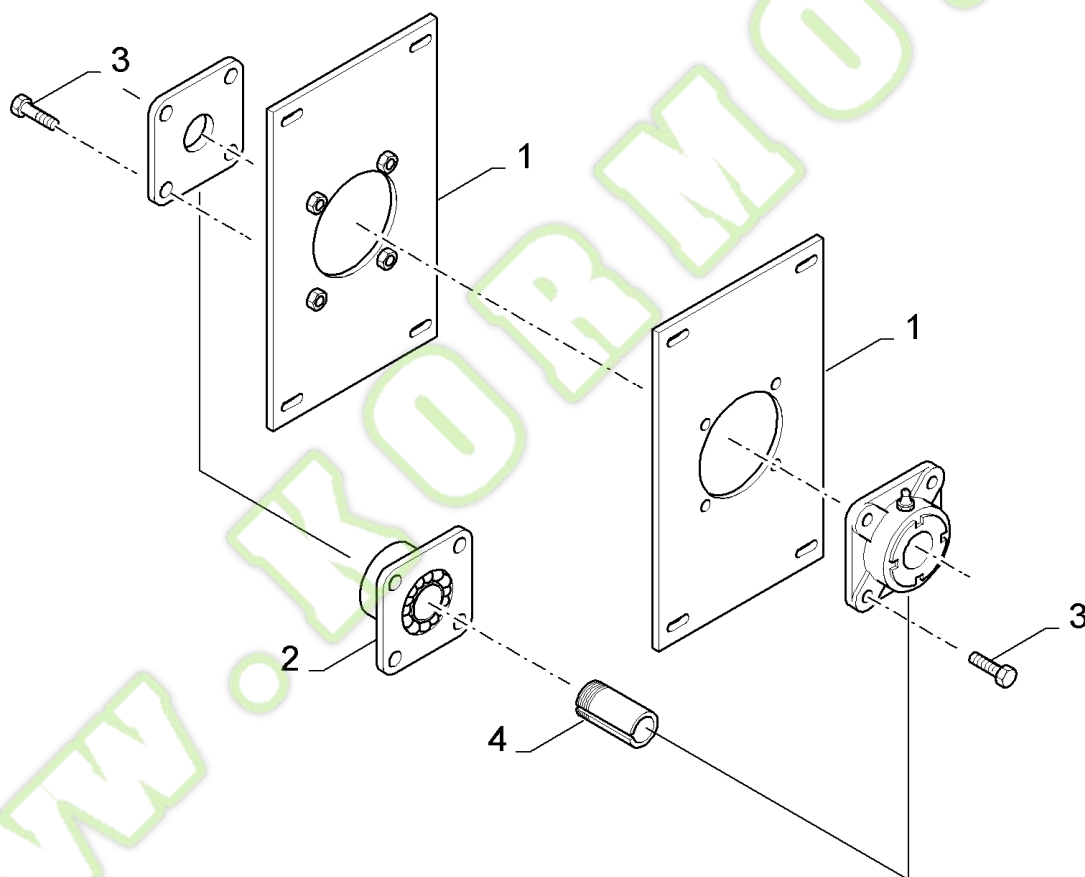
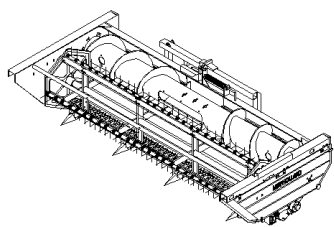


20.02(01) FEED AUGER

Ref	Part Number	Qty	Description
1	36203454	1	AUGER, {PP:84429516}
2	31014212	1	SHAFT, {PP:84429486} LH
3	31014253	1	SHAFT, {PP:84429487} RH
4	300388	12	SCREW, {PP:80300388} Hex, M12 x 25, 8.8, M12x25
5	335890	8	BOLT, {PP:80335890} Short NK, M12 x 30, Cl8.8, Full Thd, M12x30
6	825-1412	8	NUT, {PP:84429616} M12, Cl 8, M12
7	9511052	8	WASHER, {PP:89511052} M12 x 44 x 4, 13.5MM
8	86502896	8	CONTROL UNIT, 14MM

WWW.KORMO.BY

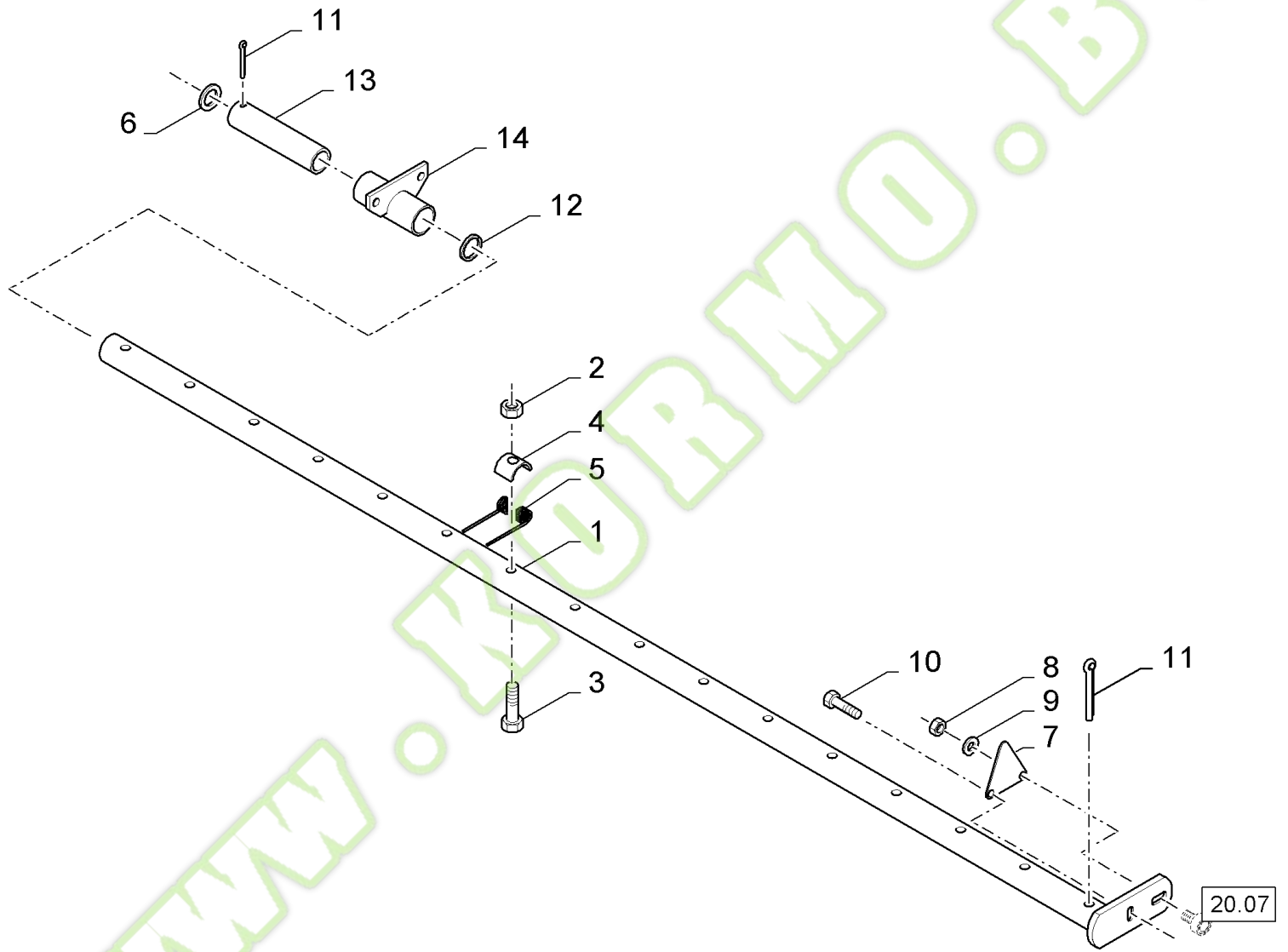
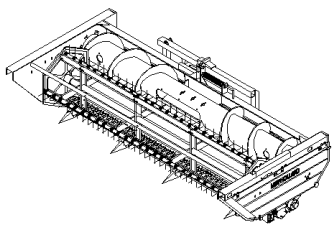
20.03(01) BEARING



20.03(01) BEARING

Ref	Part Number	Qty	Description
1	31014317	1	PLATE, PIVOT, {PP:84429488}
2	03671510	1	BEARING ASSY, {PP:84429372}
3	300389	4	SCREW, {PP:80300389} Hex, M12 x 35, 8.8, Full Thd, M12x35
4	03674224	1	SLEEVE, {PP:84429377}

WWW.KORMO.BY



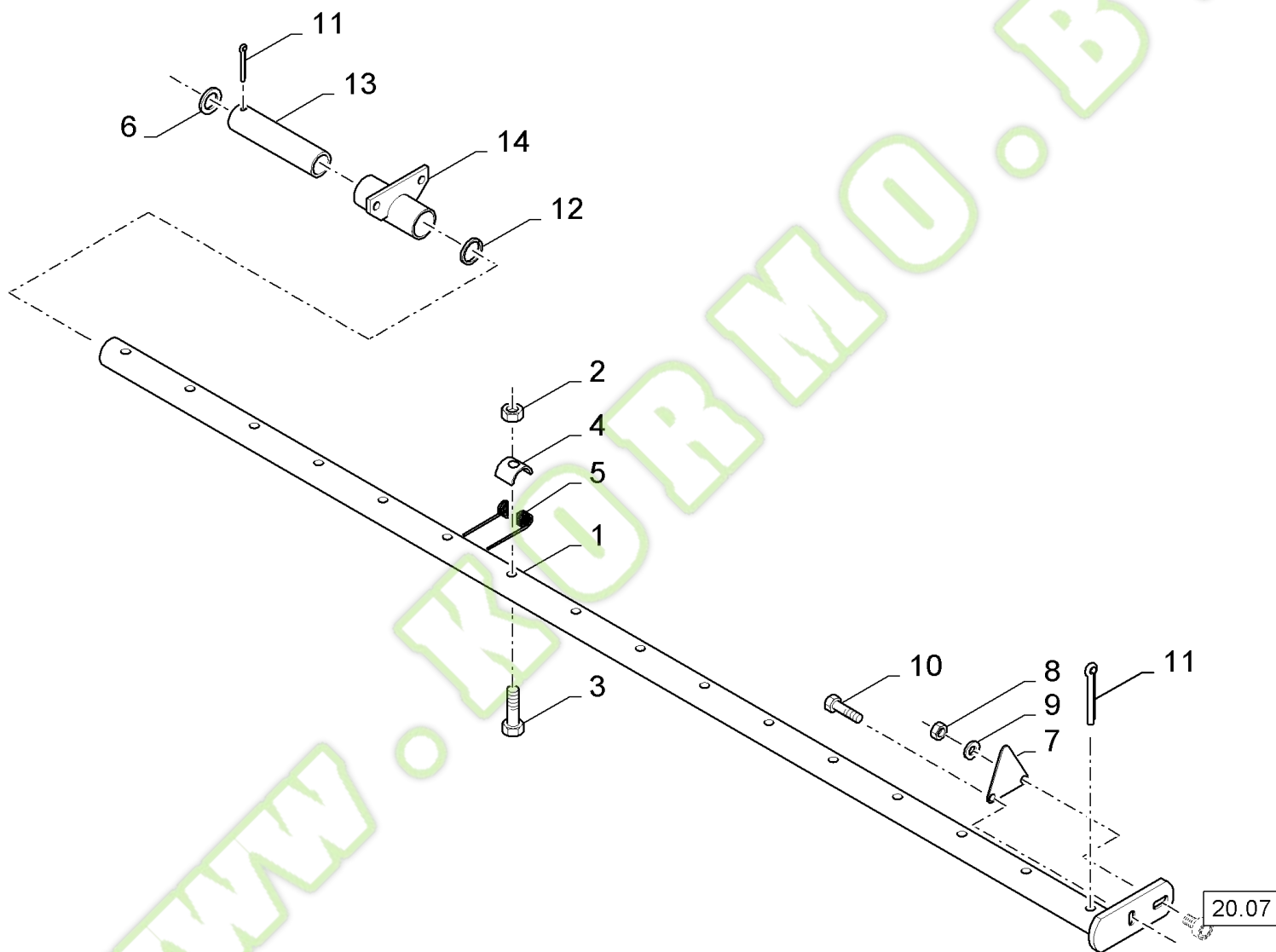
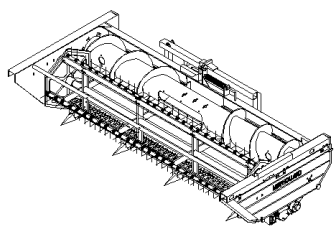
20.07



20.04(01) TINE SHAFT, 26T

Ref	Part Number	Qty	Description
1	31019200	1	SHAFT, {PP:84429512}
2	84429403	26	NUT, M10
3	412217	26	SCREW, {PP:80412217} Hex, M10 x 55, 8.8, M10x55
4	20677162	26	SHIM, {PP:84429482}
5	06715432	26	TINE, REEL, {PP:84429420}
6	20337626	1	WASHER, {PP:84429479}
7	20337601	1	PLATE, {PP:84429477}
8	84429611	1	NUT, M16
9	895-11016	1	WASHER, {PP:84429624} M16 x 30 x 3, 17MM
10	80300383	1	SCREW, M10x16
11	733-6356	5	PIN, SPLIT (COTTER), {PP:84429603} M6.3 x 56,
12	21427338	1	WASHER, {PP:84429485} 38MM
13	20337618	4	SLEEVE, {PP:84429478}
14	20337634	4	HOLDER, {PP:84429480}

WWW.KORMO.BY

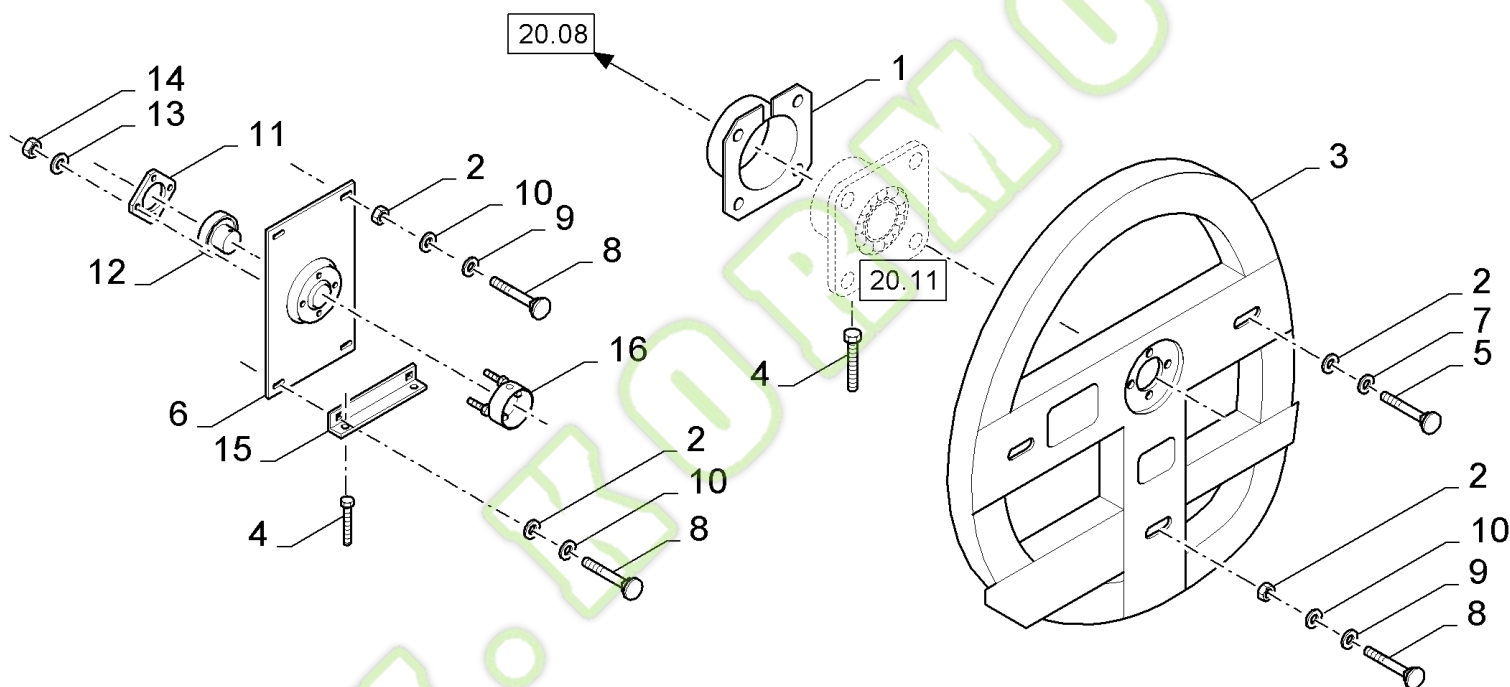
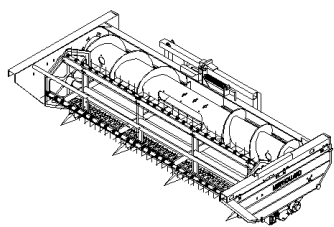


20.05(01) TINE SHAFT,27T

Ref	Part Number	Qty	Description
1	02807503	1	SHAFT, {PP:84429484}
2	84429403	27	NUT, M10
3	412217	27	SCREW, {PP:80412217} Hex, M10 x 55, 8.8, M10x55
4	20677162	27	SHIM, {PP:84429482}
5	06715432	27	TINE, REEL, {PP:84429420}
6	20337626	1	WASHER, {PP:84429479}
7	20337601	1	PLATE, {PP:84429477}
8	84429611	1	NUT, M16
9	895-11016	1	WASHER, {PP:84429624} M16 x 30 x 3, 17MM
10	80300383	1	SCREW, M10x16
11	733-6356	5	PIN, SPLIT (COTTER), {PP:84429603} M6.3 x 56,
12	21427338	1	WASHER, {PP:84429485}
13	20337618	4	SLEEVE, {PP:84429478}
14	20337634	4	HOLDER, {PP:84429480}

WWW.KORMO.BY

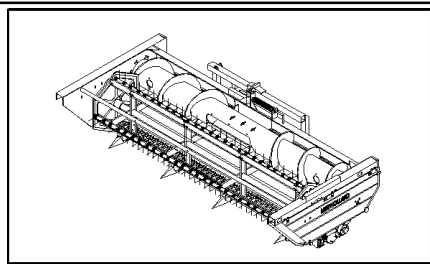
20.06(01) REEL DRIVE



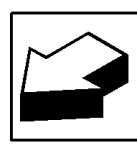
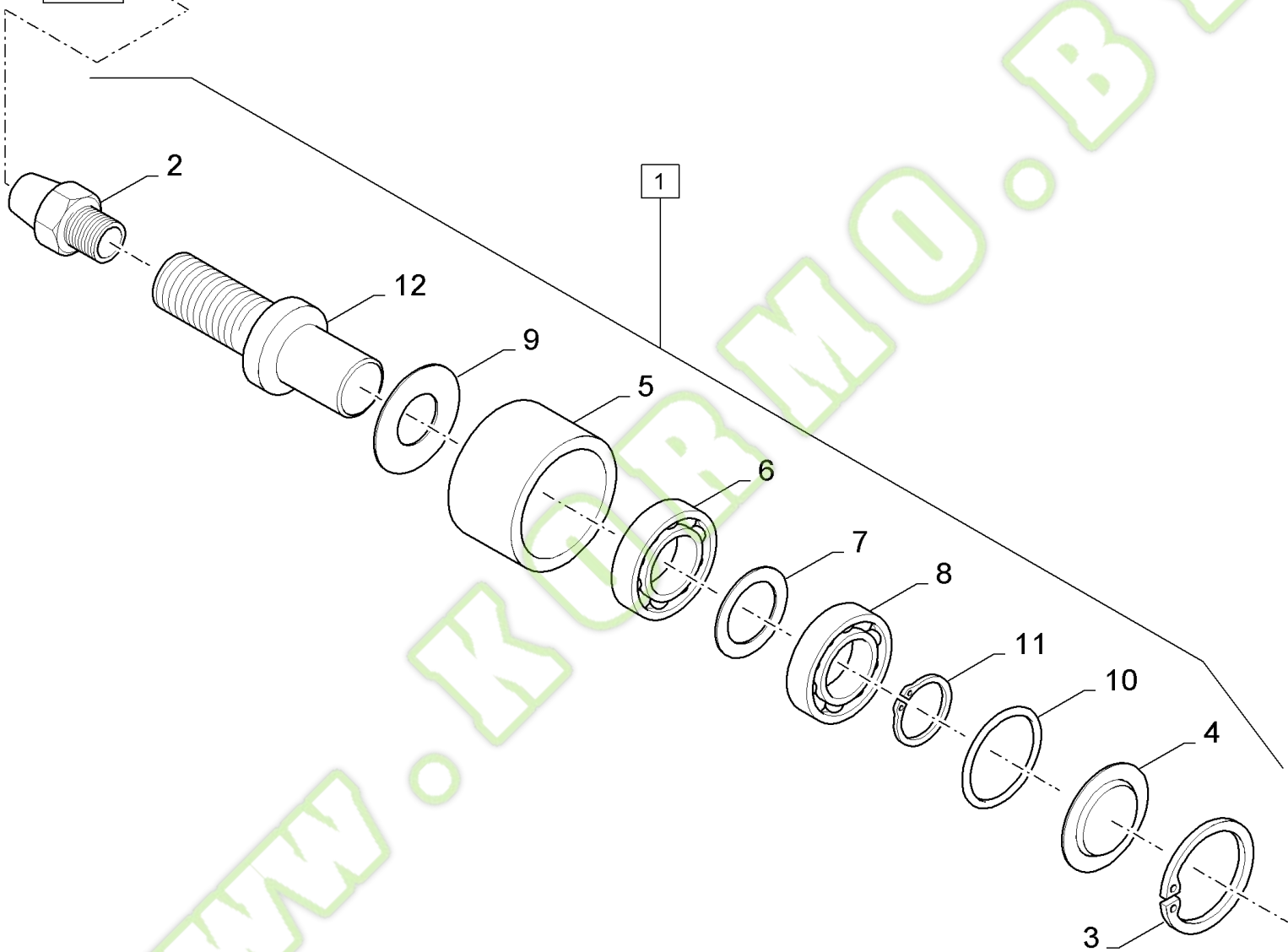
20.06(01) REEL DRIVE

Ref	Part Number	Qty	Description
1	31017071	1	COVER, {PP:84429508}
2	825-1412	11	NUT, {PP:84429616} M12, CI 8, M12
3	31018193	1	CAM, {PP:84429509}
4	538885	4	SCREW, {PP:80538885} Hex, M10 x 90, 8.8, Full Thd, M10x90
5	300389	4	SCREW, {PP:80300389} Hex, M12 x 35, 8.8, Full Thd, M12x35
6	20302134	1	PLATE, ROLLER THRUST, {PP:84429461}
7	895-11012	4	WASHER, {PP:84429623} M12 x 24 x 2.5, 13MM
8	335890	7	BOLT, {PP:80335890} Short NK, M12 x 30, CI8.8, Full Thd, M12x30
9	06502896	3	WASHER, {PP:84429410} 14MM
10	9511052	5	WASHER, {PP:89511052} M12 x 44 x 4, 13.5MM
11	20302126	1	HOUSING, BEARING, {PP:84429460}
12	03672046	1	BEARING ASSY, {PP:84429375}
13	895-11010	4	WASHER, {PP:84429622} M10 x 20 x 2, 10.5MM
14	84429618	4	NUT, M10
15	20304072	1	ANGLE, {PP:84429470}
16	20337835	1	COVER, {PP:84429481}

20.07(01) GUIDE ROLLER



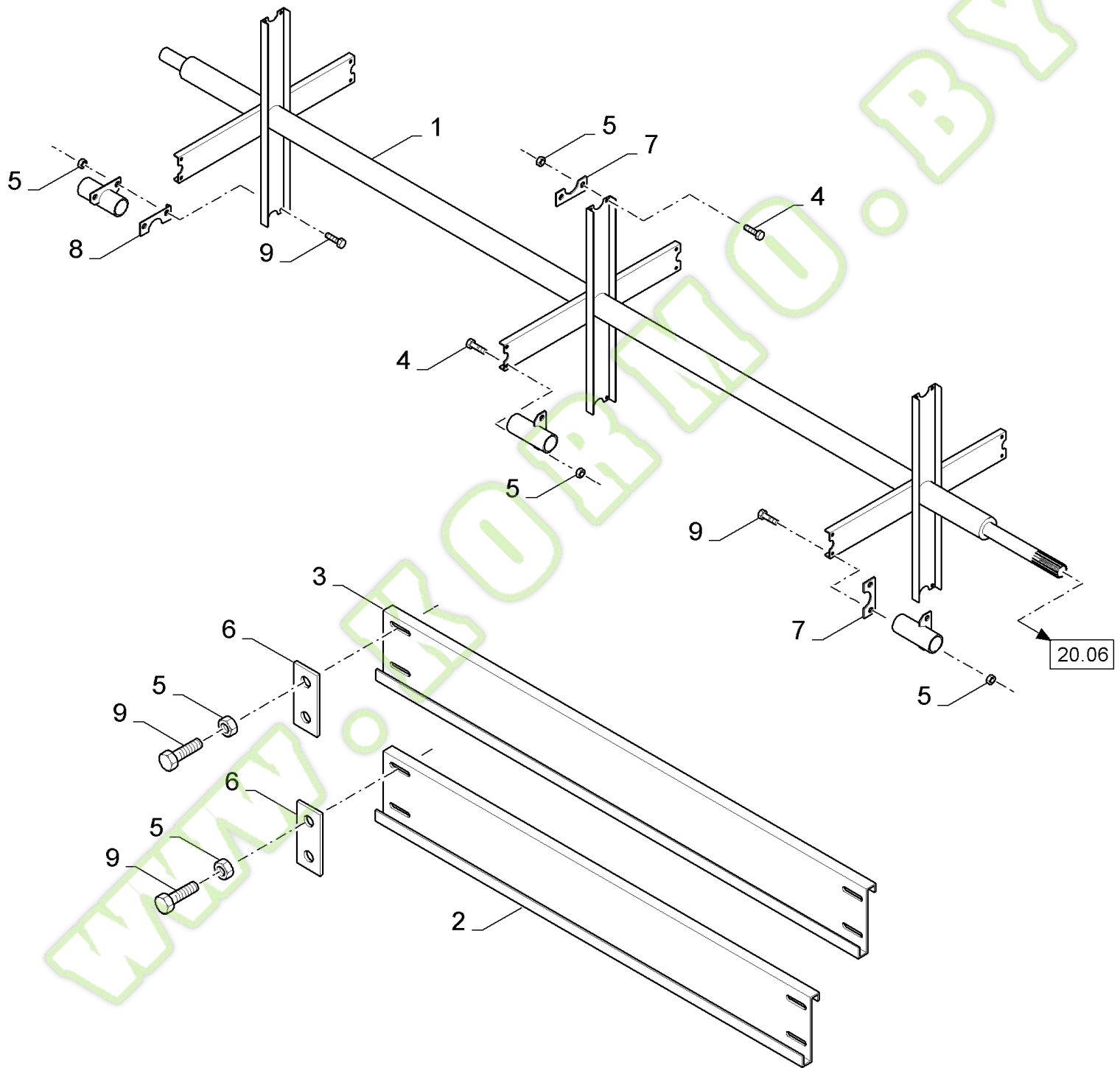
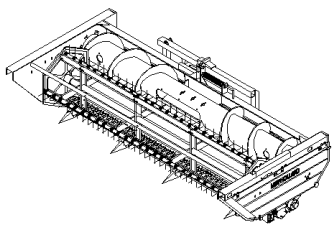
20.05
20.04



20.07(01) GUIDE ROLLER

Ref	Part Number	Qty	Description
1	31014655	2	ROLLER, {PP:84429491}
2	03617056	2	NIPPLE, LUBE, {PP:84429362}
3	300644	2	CIRCLIP, {PP:80300644}
4	31014696	2	CAP, {PP:84429495}
5	31014671	2	ROLLER, {PP:84429493}
6	03651917	2	BEARING ASSY, {PP:84429366}
7	06609205	2	SHIM, {PP:84429413}
8	03648552	2	BEARING ASSY, {PP:84429363}
9	31014688	2	SEAL, {PP:84429494}
10	01132416	2	O-RING, {PP:84429348}
11	800-1117	2	SNAP RING, {PP:84429604}
12	31014663	2	BOLT, {PP:84429492}

WWW.KORMO.BY

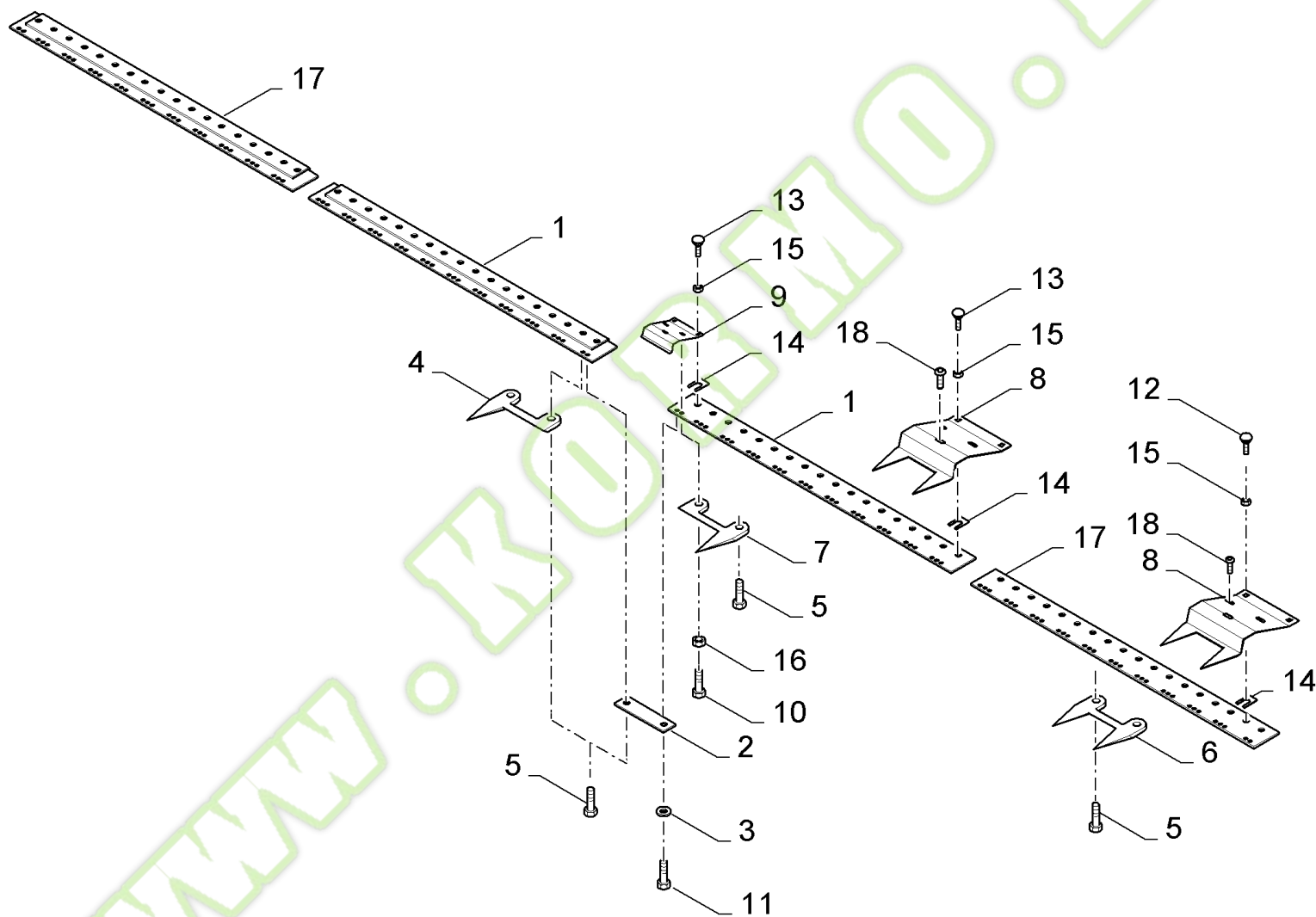
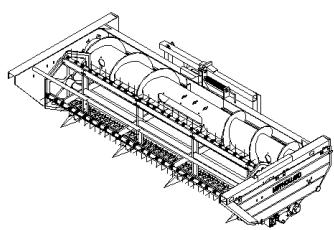


20.08(01) REEL , 4- ARM

Ref	Part Number	Qty	Description
1	31019338	1	SUPPORT, {PP:84429514}
2	31016070	8	DEFLECTOR, {PP:84429505}
3	31016062	4	DEFLECTOR, {PP:84429504}
4	80412116	16	BOLT, M8x16
5	06116155	64	NUT, {PP:84429397} M8
6	20302175	16	PLATE, {PP:84429462}
7	31014848	2	SHIM, {PP:84429496}
8	31014856	6	ANGLE, {PP:84429497}
9	80412117	48	SCREW, M8x20

WWW.KORMO.BY

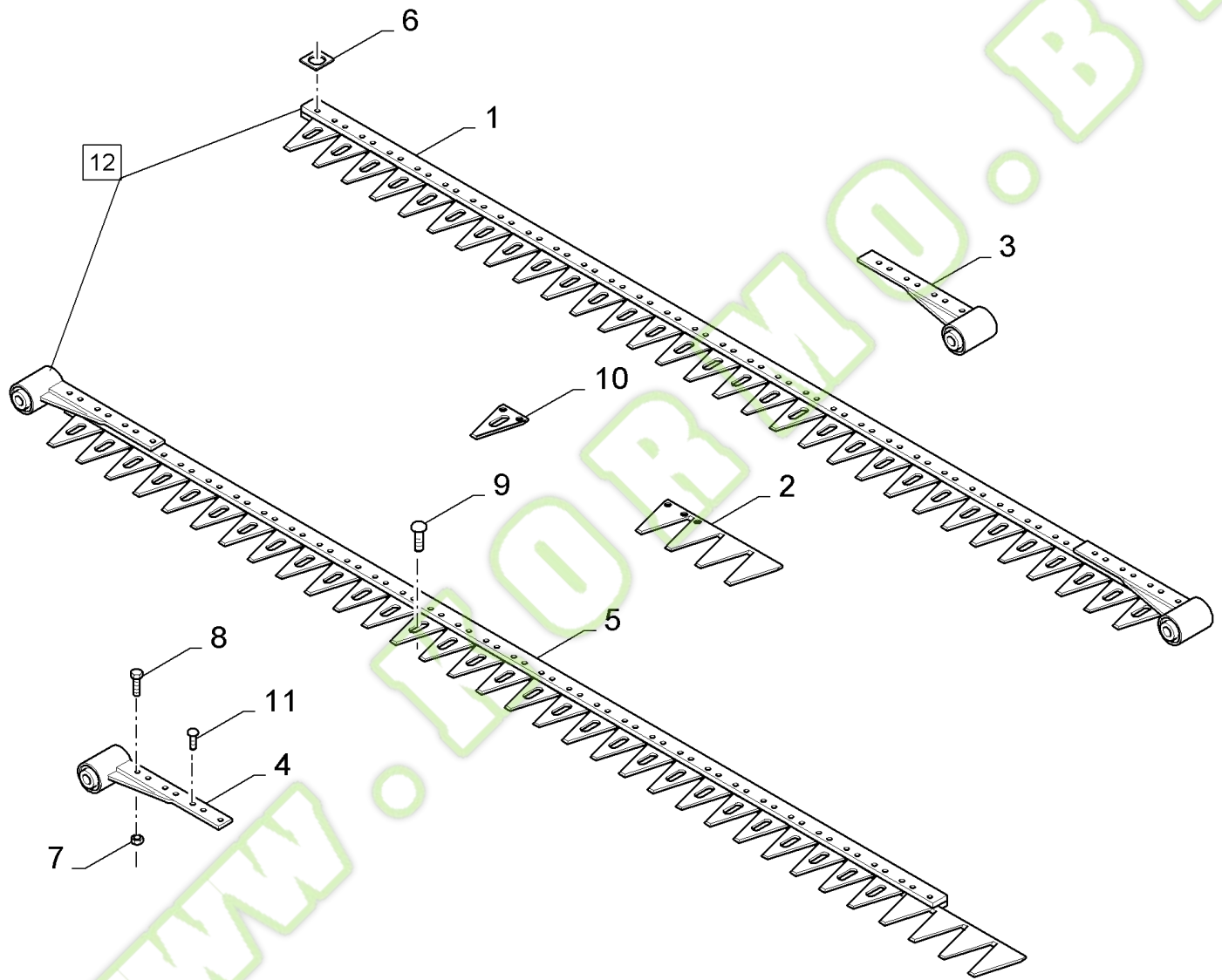
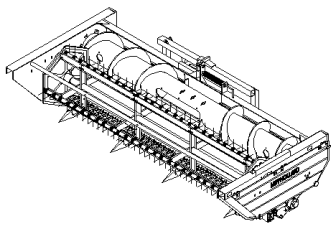
20.09(01) KNIFE, FINGER BAR



20.09(01) KNIFE, FINGER BAR

Ref	Part Number	Qty	Description
1	31018634	2	RAIL, CENTRAL, {PP:84429510} MULCHF.
2	03009147	1	PLATE, {PP:84429358}
3	06625463	4	WASHER, {PP:84429414}
4	03009122	1	FINGER, {PP:84429357} RH
5	80300383	67	SCREW, M10x16
6	03009106	32	FINGER, {PP:84429355}
7	03009114	1	FINGER, {PP:84429356} LH
8	31014366	32	KNIFE HOLDER, {PP:84429489}
9	31014374	1	KNIFE HOLDER, {PP:84429490}
10	9706704	2	BOLT, {PP:89706704} Hex, M10 x 35, 8.8, Full Thd, M10x35
11	80300511	1	BOLT, M10x20
12	931655R1	16	SCREW, {PP:84429602} Short NK, M10 x 40, CI8.8, Full Thd, M10x40
13	97001848	50	SCREW, {PP:84429517} M10x35
14	84429515	34	WASHER,
15	84429617	66	NUT, M10
16	934300R1	2	NUT, {PP:84429620} Thin, M10 x 1.5, CI 04, M10
17	84429511	2	RAIL, SIDE,
18	393698	32	SCREW, {PP:80393698} Hex Soc Flat Hd, M10 x 25, 8.8, M10x25

20.10(01) KNIFE

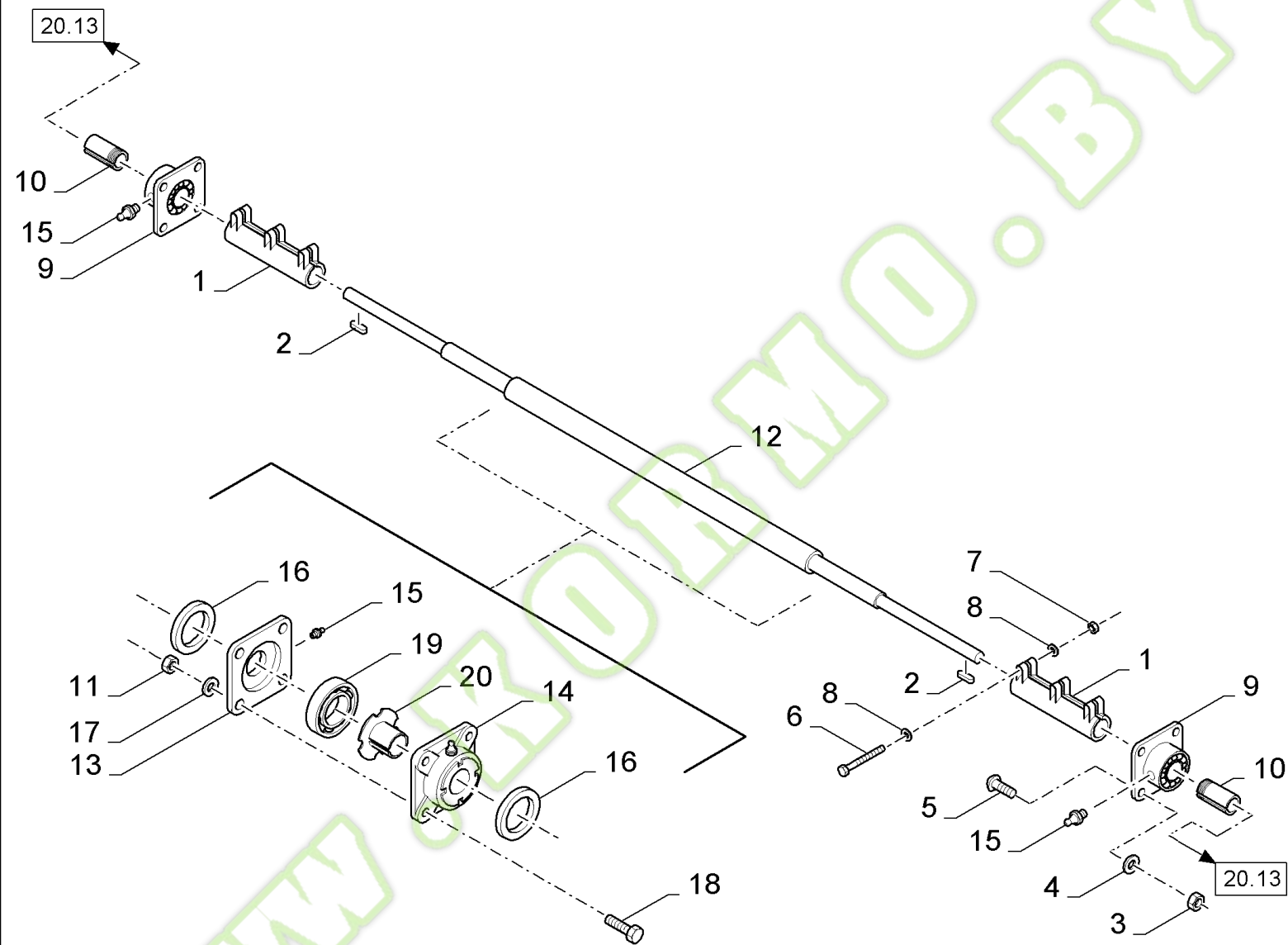
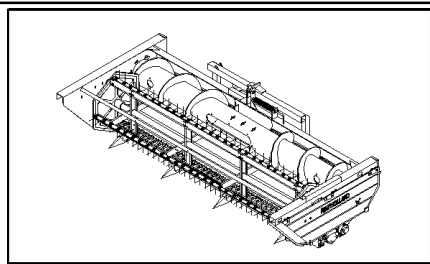


20.10(01) KNIFE

Ref	Part Number	Qty	Description
1	84429381	1	CUTTING BLADE, LH
2	31015463	1	KNIFE, {PP:84429500}
3	31015414	1	KNIFE HEAD, {PP:84429499} LH
4	31015471	1	KNIFE HEAD, {PP:84429501}
5	84429382	1	CUTTING BLADE, RH
6	31015383	1	CLIP, KNIFE, {PP:84429498}
7	84429396	2	NUT, M6
8	86977786	2	BOLT, Hex, M6 x 25, 8.8, M6x25
9	NS	118	NOT SERVICED, Rivet, 6x12
10	84429359	66	KNIFE SECTION,
11	NS	16	NOT SERVICED, Rivet, 6x16
12	84400928	1	KNIFE SET, (1,5)

WWW.KORMO.BY

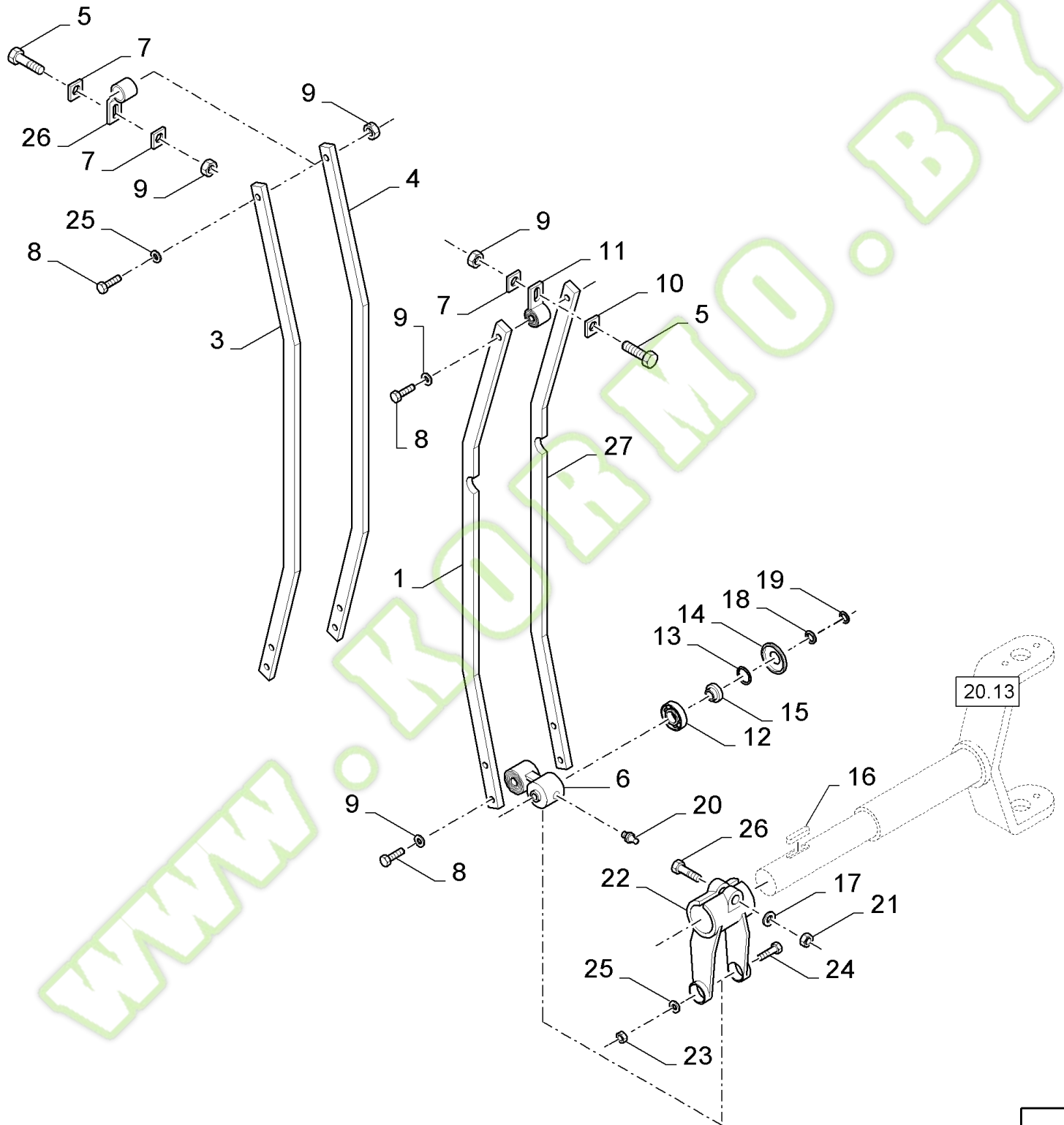
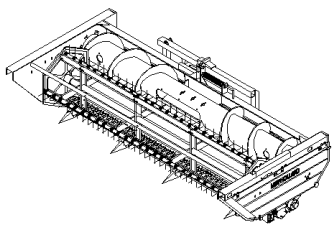
20.11(01) KNIFE, DRIVE SHAFT



20.11(01) KNIFE, DRIVE SHAFT

Ref	Part Number	Qty	Description
1	20304458	1	CLUTCH, {PP:84429473}
2	03501576	4	KEY, BUCKET TOOTHRT, {PP:80170057}
3	825-11414	8	NUT, {PP:84429610} M14 x 1.5, CI 8, M14
4	06455888	8	WASHER, LOCK, {PP:12035571} 14MM
5	06372772	8	BOLT, {PP:84429406}
6	43158	3	SCREW, {PP:80043158} Hex, M12 x 80, 8.8, M12x80
7	84429399	3	NUT, M12
8	895-11012	6	WASHER, {PP:84429623} M12 x 24 x 2.5, 13MM
9	03671510	3	BEARING ASSY, {PP:84429372}
10	03674224	3	SLEEVE, {PP:84429377}
11	84429618	8	NUT, M10
12	20910357	1	SHAFT, {PP:84429483}
13	31016087	2	HOUSING, BEARING, {PP:84429507}
14	20304417	2	HOUSING, BEARING, {PP:84429472}
15	03617056	2	NIPPLE, LUBE, {PP:84429362}
16	162741	4	ELEMENT, SEALING, {PP:80162741}
17	06454901	8	WASHER, LOCK, {PP:12034671}
18	80412253	8	BOLT, M10x50
19	03659893	2	BEARING, BALL, {PP:84429367}
20	03674216	2	SLEEVE, {PP:84429376}

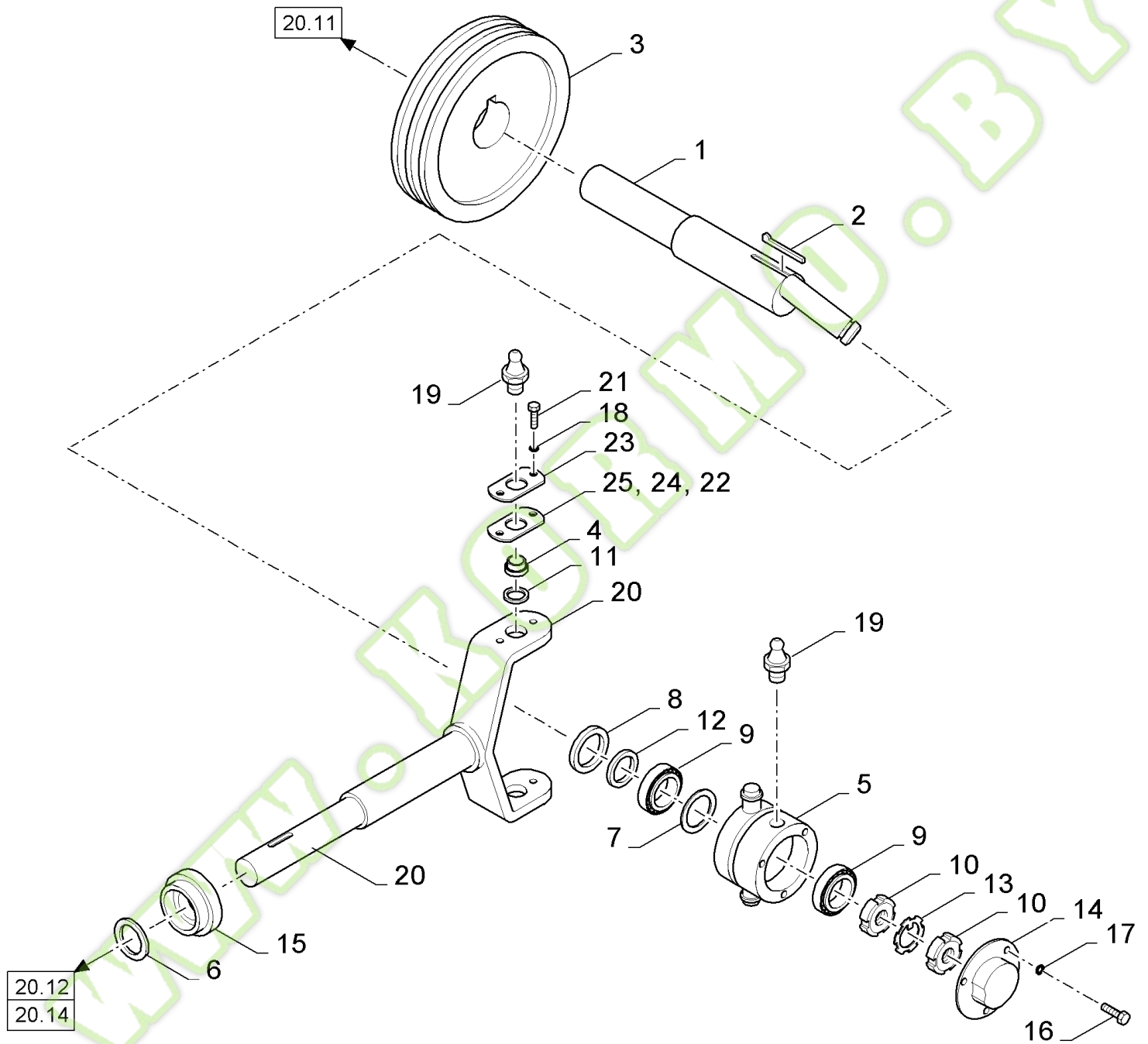
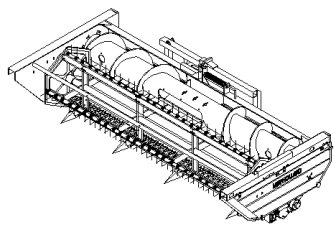
20.12(01) KNIFE DRIVE, ROCKER



20.12(01) KNIFE DRIVE, ROCKER

Ref	Part Number	Qty	Description
1	31016021	1	LEVER, {PP:84429502}
2	20337257	1	YOKE, {PP:84429474}
3	20304007	1	LEVER, {PP:84429469} RH
4	20303996	1	LEVER, {PP:84429468} LH
5	06377986	2	SCREW, {PP:84429407} M16x55
6	20303047	1	BEARING ASSY, {PP:84429464}
7	122432	3	WASHER, {PP:80122432} 17MM
8	06366516	6	BOLT, {PP:84429405} M16x120
9	84429611	8	NUT, M16
10	20304345	1	WASHER, {PP:84429471}
11	20303891	1	BUSHING, RUBBER, {PP:84429466} LH
12	03661236	1	BEARING, BALL, {PP:84429368}
13	01119347	2	SEAL, {PP:80394994}
14	20337265	2	CAP, {PP:84429475}
15	20337273	2	SLEEVE, {PP:84429476}
16	320607	2	KEY, {PP:80320607}
17	06455863	1	WASHER, LOCK, {PP:12034771} 12MM
18	20302407	2	SEAL, {PP:84429463}
19	20303088	2	WASHER, {PP:84429465}
20	03617056	1	NIPPLE, LUBE, {PP:84429362}
21	84429399	1	NUT, M12
22	350460	1	SCREW, {PP:80350460} Hex, M12 x 75, 8.8, M12x75
23	84429619	1	NUT, M16
24	06044155	1	SCREW, {PP:84036080} M16x110
25	06455943	2	WASHER, LOCK, {PP:12034871} 16MM
26	20303963	1	BUSHING, RUBBER, {PP:84429467} RH
27	31016038	1	LEVER, {PP:84429503}

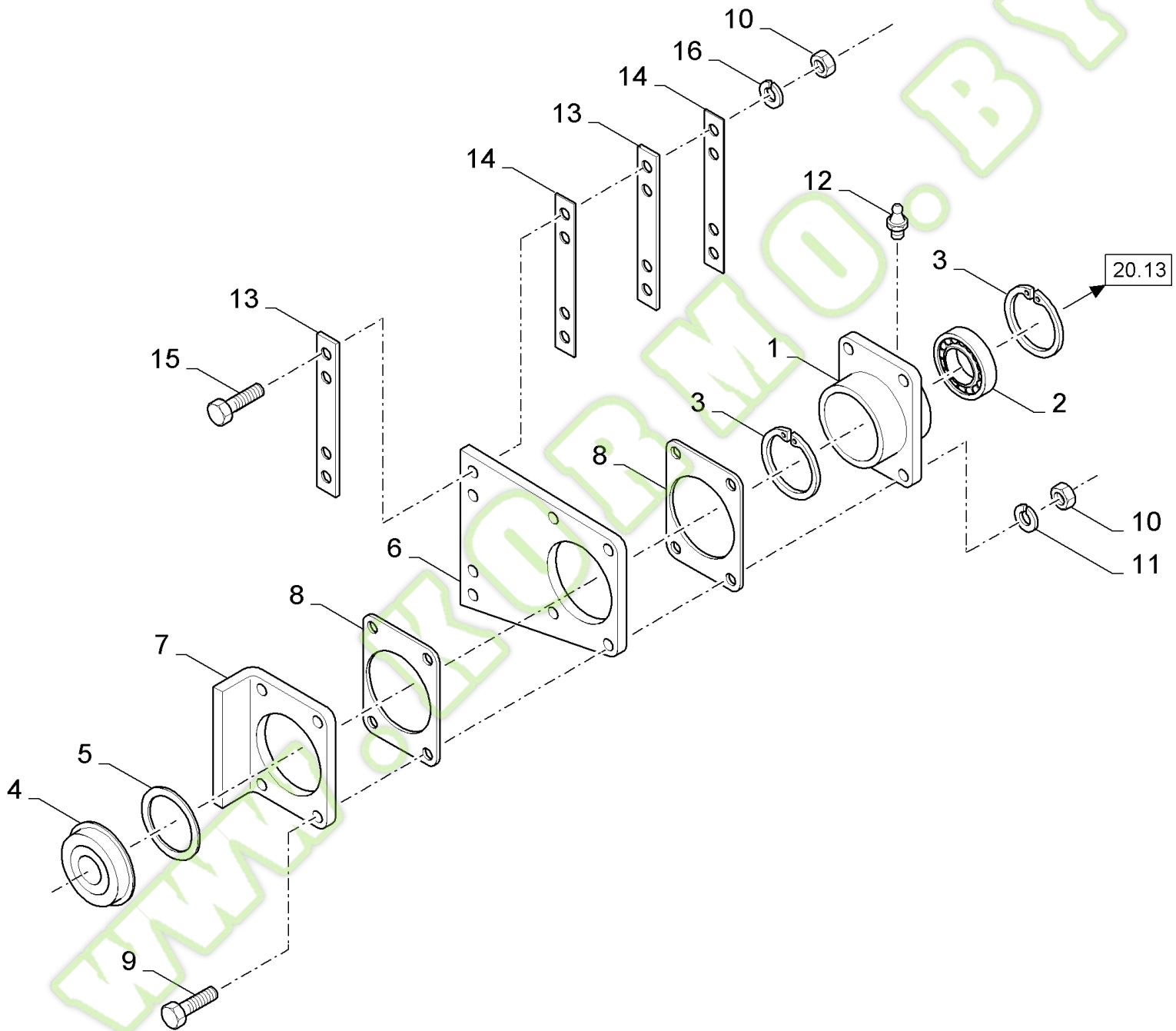
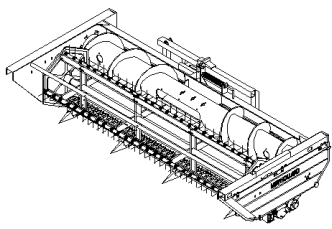
20.13(01) KNIFE DRIVE



20.13(01) KNIFE DRIVE

Ref	Part Number	Qty	Description
1	20304554	2	FORK, {PP:84429538}
2	29504014	1	KEY, {PP:84429575}
3	20304667	1	PULLEY, {PP:84429540}
4	03670655	4	BEARING, ROLLER, TAPERED, {PP:84429370}
5	31016118	2	HOUSING, {PP:84429578}
6	01119347	2	SEAL, {PP:80394994}
7	20302833	6	SHIM, {PP:84429524}
8	01121237	2	ELEMENT, SEALING, {PP:84429347}
9	03670936	4	BEARING, ROLLER, TAPERED, {PP:84429371}
10	06229581	4	NUT, {PP:84429401} M40
11	378273	4	RING, {PP:80378273}
12	31016126	2	SPACER, {PP:84429579}
13	06470001	2	PLATE, LOCKING, {PP:84429409}
14	20302704	2	CAP, {PP:84429521}
15	21424616	2	CAP, {PP:84429570}
16	10974420	8	SCREW, M6x12
17	06455742	8	WASHER, LOCK, {PP:12035671} 6MM
18	06454901	8	WASHER, LOCK, {PP:12034671} 10MM
19	03617056	6	NIPPLE, LUBE, {PP:84429362}
20	20304570	2	FORK, {PP:84429539}
21	43139	8	SCREW, {PP:80043139} Hex, M10 x 25, 8.8, Full Thd, M10x25
22	20302841	4	SHIM, {PP:84429525}
23	84429580	4	PLATE,
24	84429523	6	SHIM,
25	20302745	6	SHIM, {PP:84429522}

20.14(01) KNIFE DRIVE, FORK SHAFT BEARING



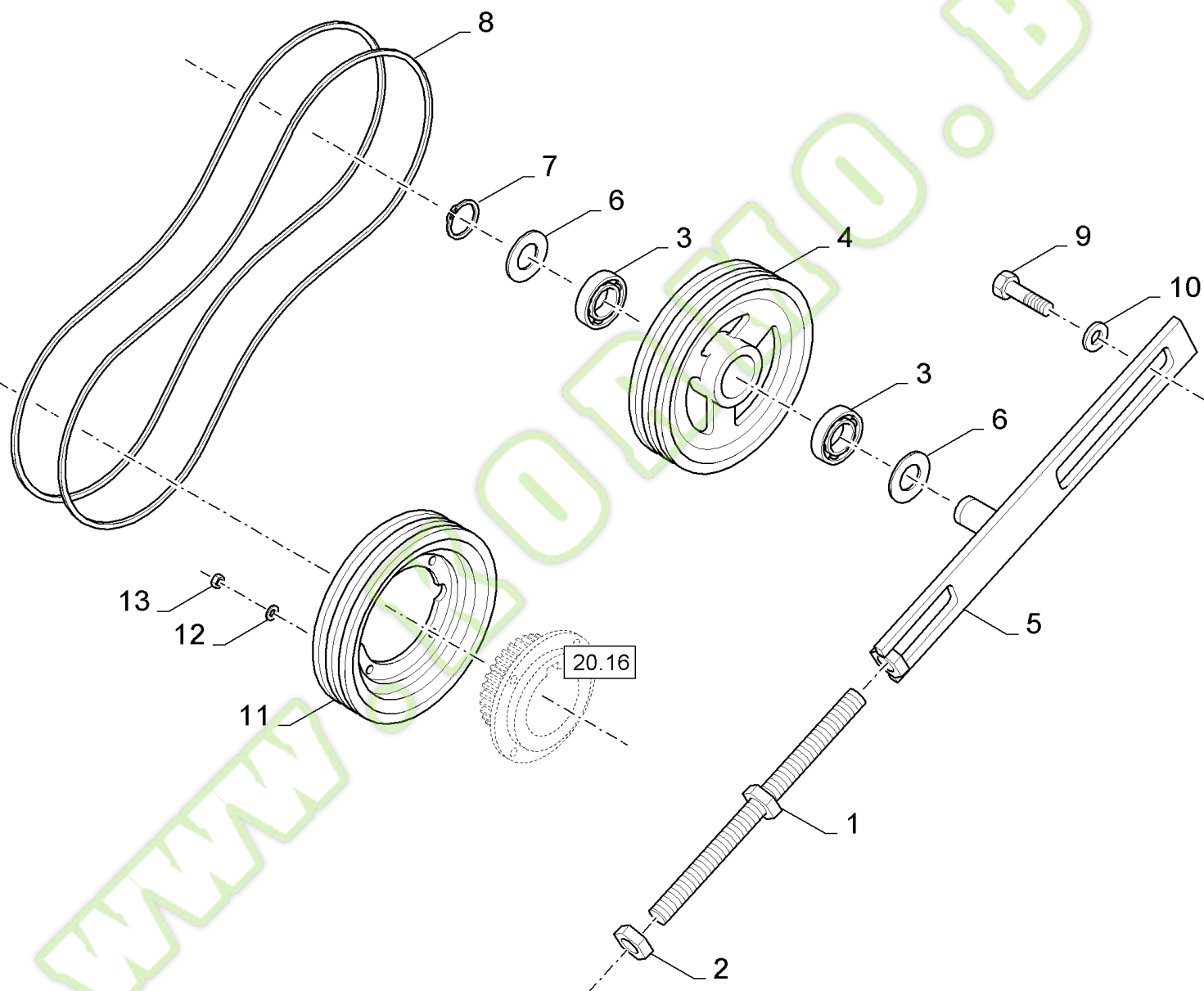
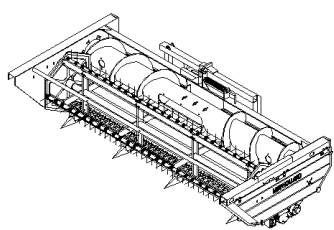
20.13



20.14(01) KNIFE DRIVE, FORK SHAFT BEARING

Ref	Part Number	Qty	Description
1	20337482	2	HOUSING, BEARING, {PP:84429557}
2	03669661	2	BEARING, ROLLER, {PP:84429369}
3	800-2190	4	CIRCLIP, {PP:84429609}
4	21424616	2	CAP, {PP:84429570}
5	01119347	2	SEAL, {PP:80394994}
6	84429542	2	PLATE,
7	20304675	2	FLANGE, {PP:84429541}
8	09105672	2	SHIM, {PP:84429434}
9	614-12030	8	BOLT, {PP:80412700} Hex, M12 x 30, 8.8, M12x30
10	84429399	16	NUT, M12
11	06455863	8	WASHER, LOCK, {PP:12034771} 12MM
12	03617056	2	NIPPLE, LUBE, {PP:84429362}
13	20304425	4	PLATE, {PP:84429536}
14	84429537	4	SHIM,
15	614-12045	8	BOLT, {PP:84015507} Hex, M12 x 45, 8.8, M12x45
16	21430438	8	WASHER, {PP:84429574} 13MM

20.15(01) KNIFE DRIVE, V-BELT TENSIONER

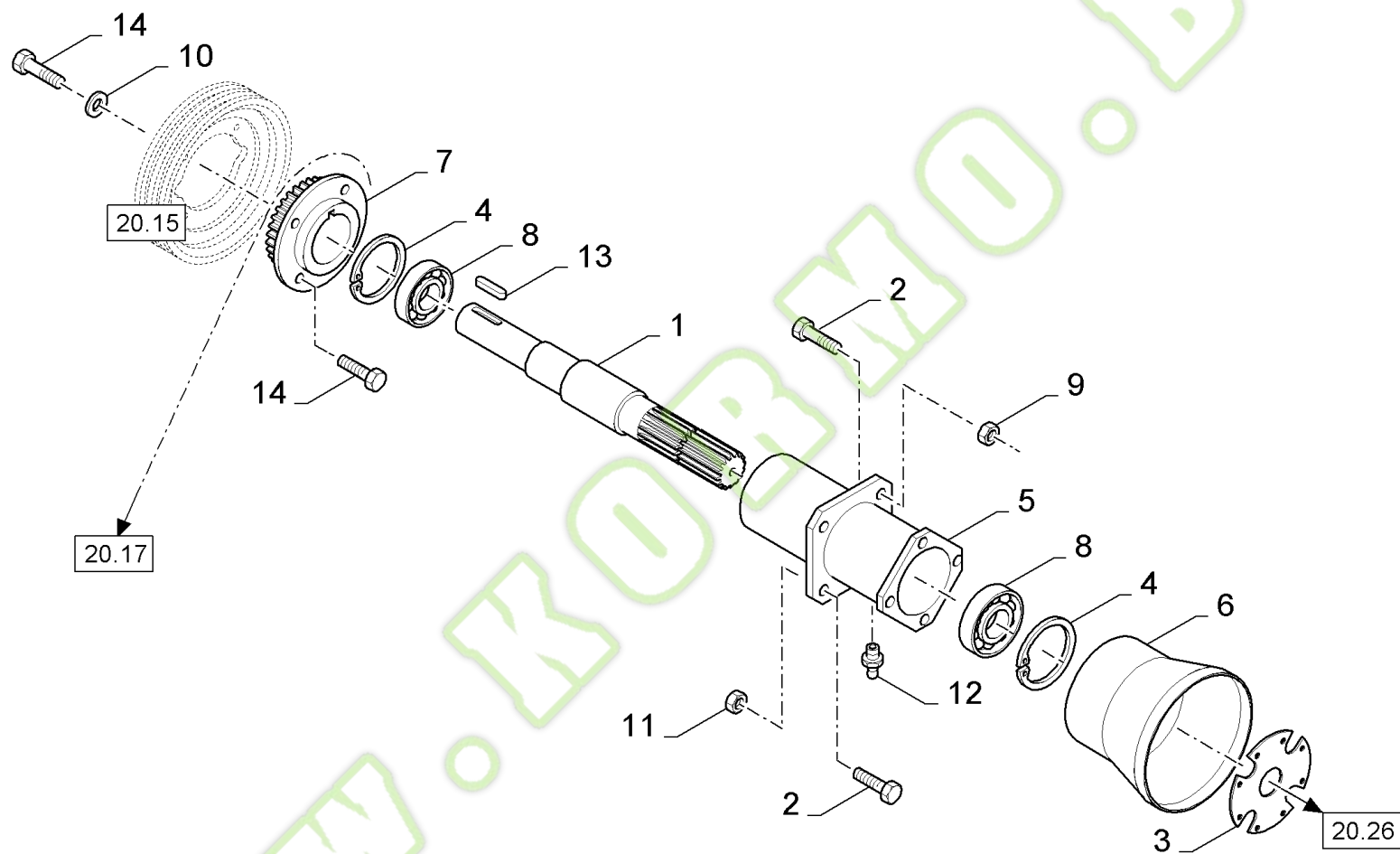
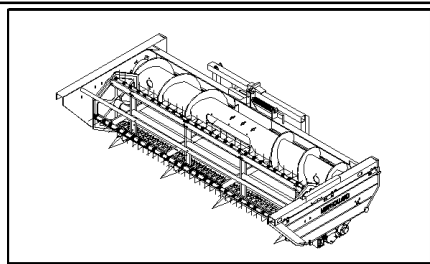


20.15(01) KNIFE DRIVE, V-BELT TENSIONER

Ref	Part Number	Qty	Description
1	20303297	1	SCREW, {PP:84429530}
2	84429399	1	NUT, M12
3	03651900	2	BEARING ASSY, {PP:84429365}
4	20337048	1	PULLEY, {PP:84429556}
5	20337023	1	ADJUSTER, {PP:84429555}
6	02856415	2	PLATE, {PP:84429353}
7	800-1120	1	CIRCLIP, {PP:84429605}
8	01111895	1	SET OF BELTS, {PP:84429346}
9	43167	2	BOLT, {PP:80043167} Hex, M16 x 30, 8.8, Full Thd, Hex, M16 x 30, 8.8, Full Thd
10	337522	2	WASHER, LOCK, {PP:80337522} M16 x 56 x 5, 17.5MM
11	31019362	1	PULLEY, {PP:84429594}
12	06626384	12	SHIM, {PP:84429416}
13	84429618	4	NUT, M10

WWW.KORMO.BY

20.16(01) DRIVE, DRIVE SHAFT

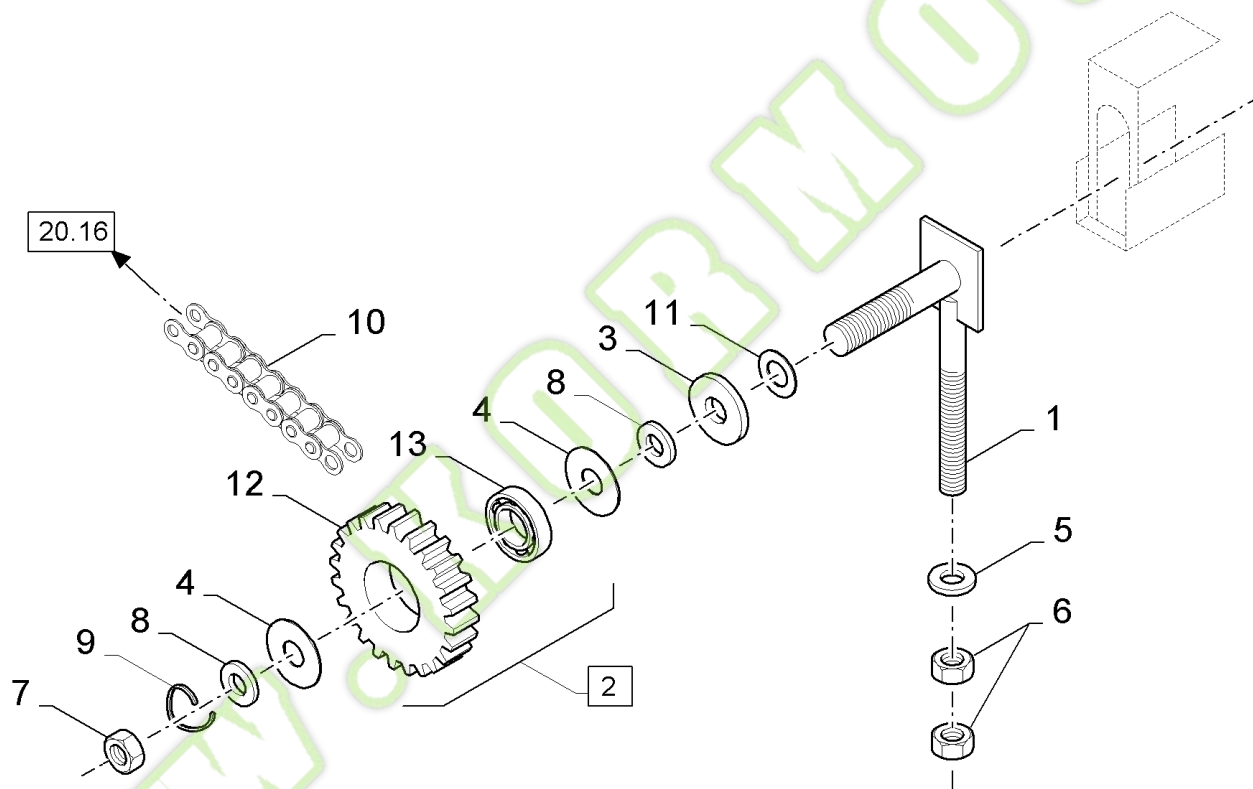
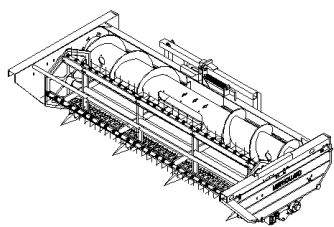


20.16(01) DRIVE, DRIVE SHAFT

Ref	Part Number	Qty	Description
1	20338217	1	SHAFT, {PP:84429559}
2	43139	8	SCREW, {PP:80043139} Hex, M10 x 25, 8.8, Full Thd, M10x25
3	20338065	1	RING, {PP:84429558}
4	800-2172	2	CIRCLIP, {PP:84429608}
5	20338225	1	HOUSING, BEARING, {PP:84429560}
6	84429360	1	CAP,
7	02845951	1	SPROCKET, DRIVEN, {PP:84429352} 13Z
8	84429374	2	BEARING ASSY,
9	84429618	4	NUT, M10
10	21428603	1	WASHER, {PP:84429573}
11	84429618	4	NUT, M10
12	03617056	1	NIPPLE, LUBE, {PP:84429362}
13	170034	1	KEY, {PP:80170034}
14	43140	5	BOLT, {PP:80043140} Hex, M10 x 30, 8.8, M10x30

WWW.KORMO.BY

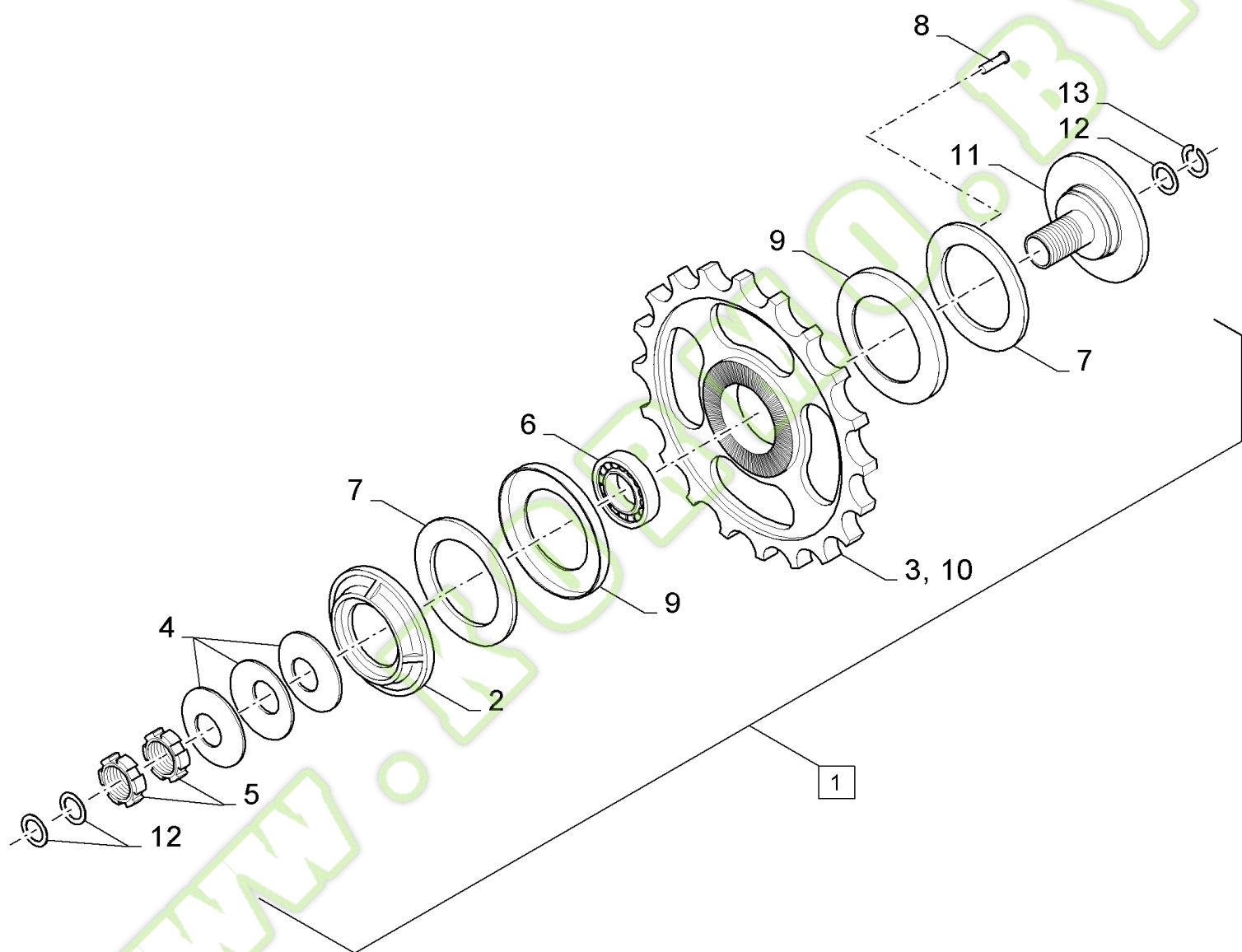
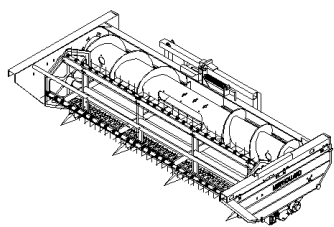
20.17(01) DRIVE, CHAIN TENSIONER - FEED AUGER



Ref	Part Number	Qty	Description
1	20303168	1	CLAMP, {PP:84429526}
2	20303215	1	SPROCKET, DRIVEN, {PP:84429527}
3	03237295	1	WASHER, {PP:84429361}
4	20303231	2	PLATE, {PP:84429529}
5	895-11010	1	WASHER, {PP:84429622} M10 x 20 x 2, 10.5MM
6	84429618	2	NUT, M10
7	825-11420	1	NUT, {PP:84429612} M20 x 1.5, CI 8, M20
8	895-11020	2	WASHER, {PP:84429625} M20 x 37 x 3, 21MM
9	06456028	1	WASHER, LOCK, {PP:12035071} 20MM
10	06803280	1	CHAIN, {PP:84429422}
11	06655122	8	SHIM, {PP:84429417}
12	20303223	2	WHEEL, IDLER, {PP:84429528}
13	03671703	2	BEARING ASSY, {PP:84429373}

WWW.KORMO.BY

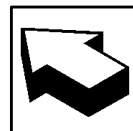
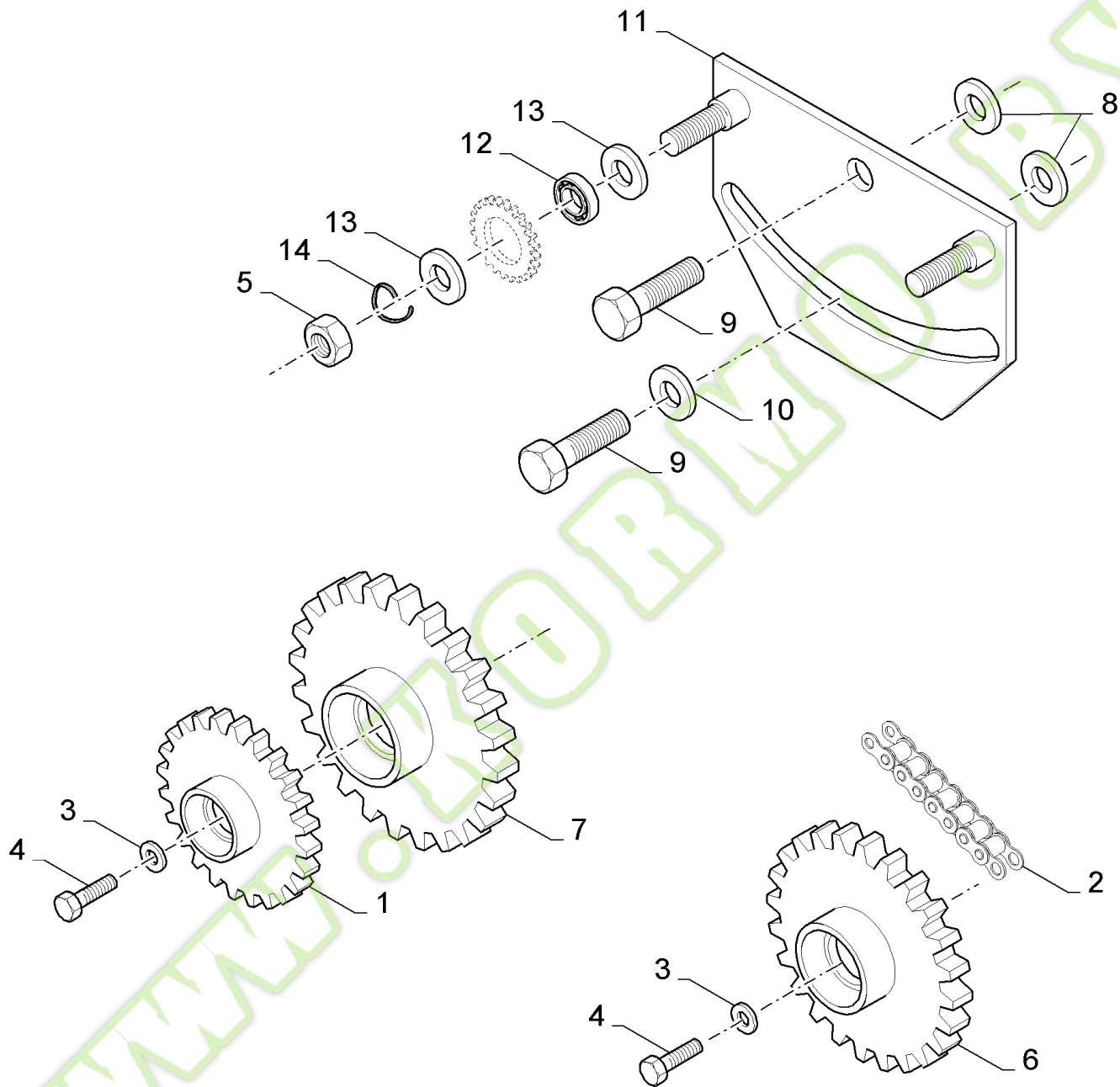
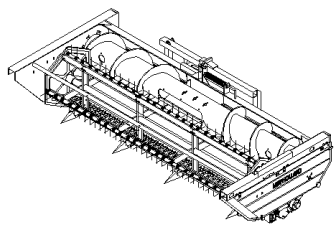
20.18(01) SLIP CLUTCH



20.18(01) SLIP CLUTCH

Ref	Part Number	Qty	Description
1	03900733	1	CLUTCH, {PP:84429379} (2 to 11)
2	20742236	1	CLUTCH, PRESSURE PLATE, {PP:84429568}
3	31016825	1	SPROCKET, DRIVEN, {PP:84429581} 57Z
4	20303393	3	WASHER, {PP:84429531}
5	06229653	2	NUT, {PP:84429402}
6	03675354	1	ROLLER, {PP:84429378}
7	84429583	1	LINING, CLUTCH,
8	NS	1	NOT SERVICED, Rivet
9	84429569	1	GUARD,
10	31016833	1	SPROCKET, DRIVEN, {PP:84429582}
11	31016858	1	CLUTCH, PRESSURE PLATE, {PP:84429584}
12	06625736	14	SHIM, {PP:84429415}
13	80300645	1	CIRCLIP,

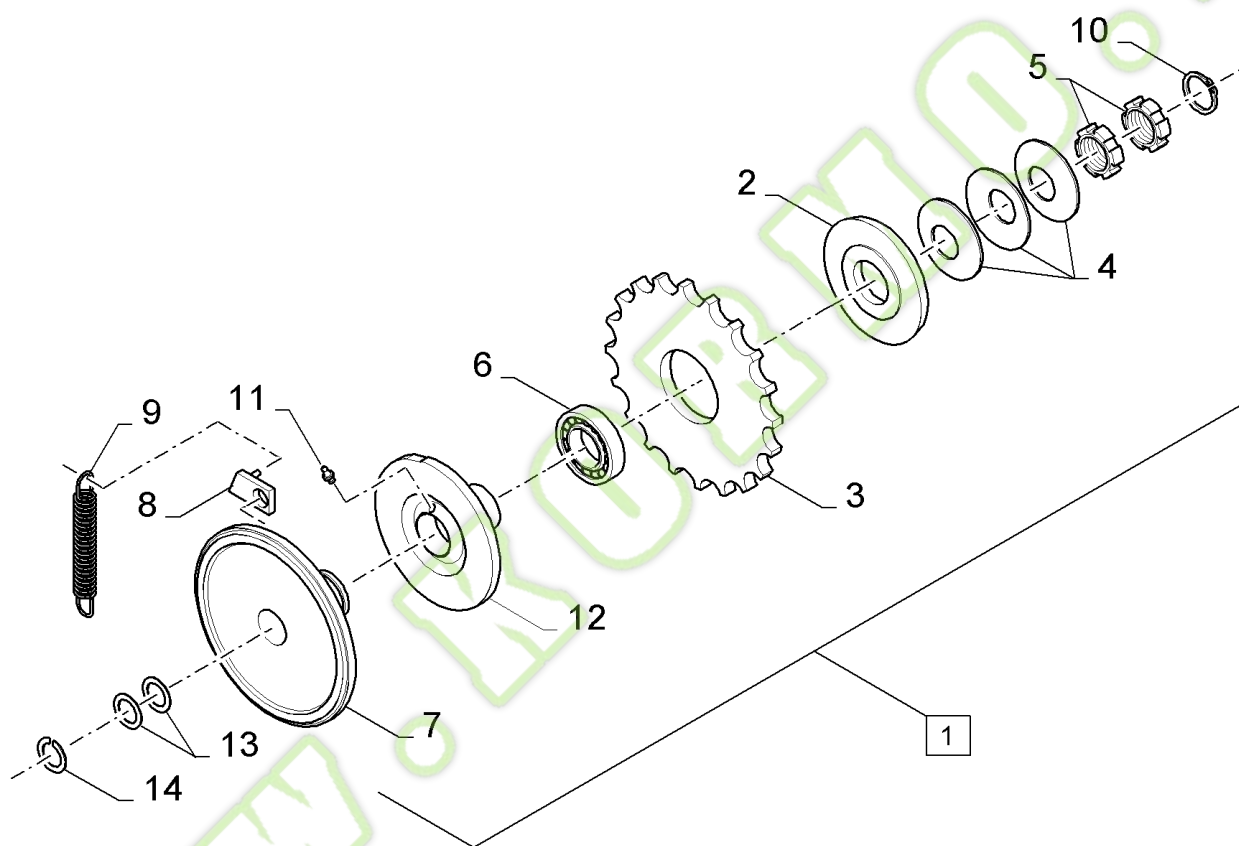
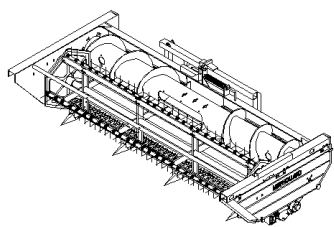
WWW.KORMO.BY



Ref	Part Number	Qty	Description
1	31017537	1	SPROCKET, {PP:84429590} 17T
2	06838016	1	CHAIN, {PP:84429423}
3	31017578	2	WASHER, {PP:84429592}
4	06364282	2	BOLT, {PP:84429404} M16x65
5	825-11420	2	NUT, {PP:84429612} M20 x 1.5, CI 8, M20
6	31017553	1	SPROCKET, {PP:84429591} 21T
7	31013984	1	SPROCKET, DRIVEN, {PP:84429577} 27T
8	21425875	16	WASHER, {PP:84429571}
9	385922	2	SCREW, {PP:80385922} Hex, M16 x 45, 8.8, Hex, M16 x 45, 8.8
10	122432	1	WASHER, {PP:80122432} 17MM
11	31017416	1	CLAMP, {PP:84429589}
12	20366622	2	SPROCKET, DRIVEN, {PP:84429563} 13T
13	20303231	4	PLATE, {PP:84429529}
14	06456028	2	WASHER, LOCK, {PP:12035071} 20MM

WWW.KORMO.BY

20.20(01) SLIP CLUTCH

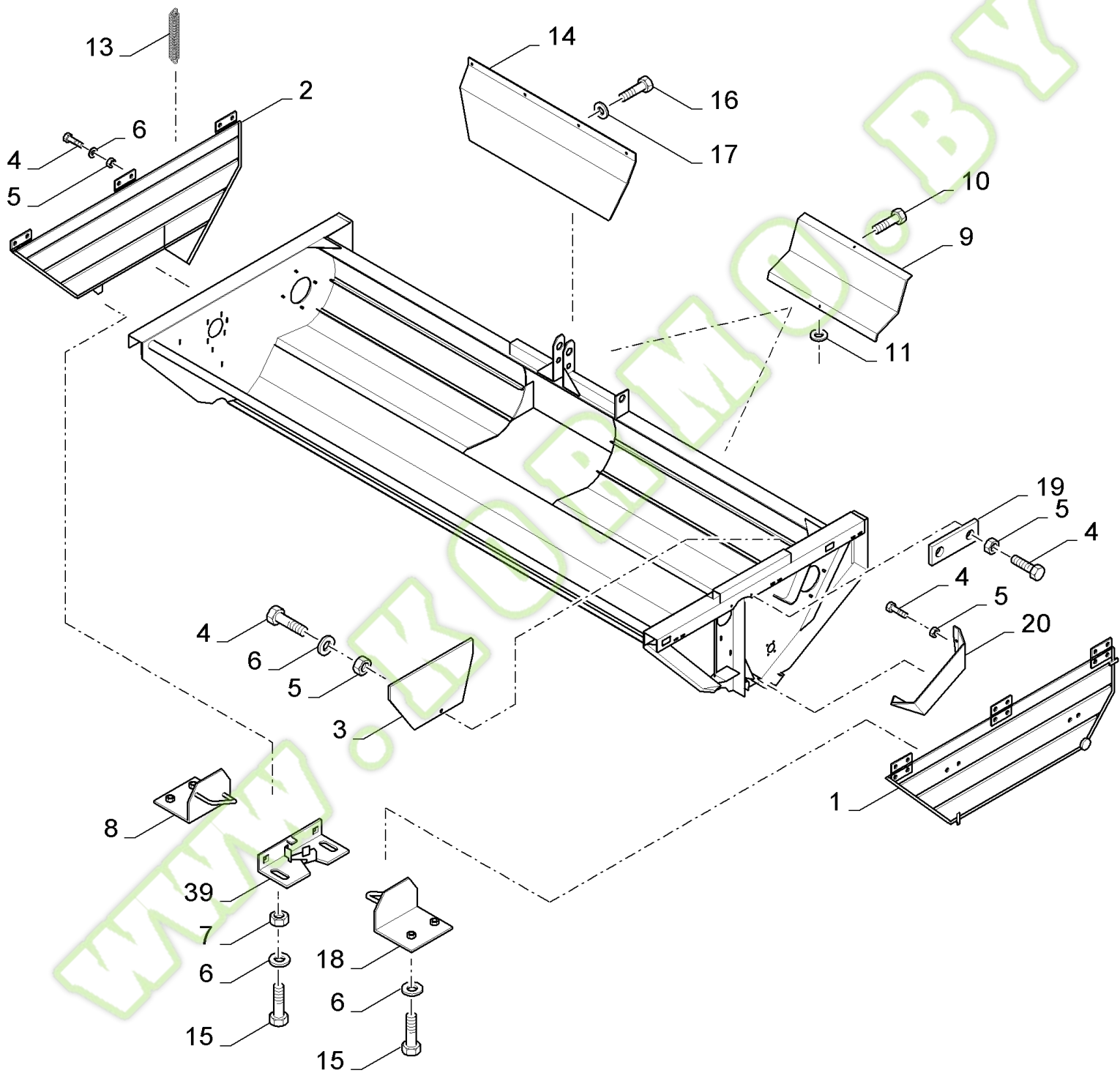
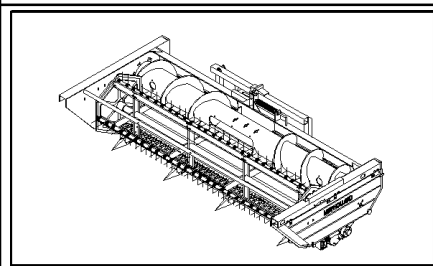


20.20(01) SLIP CLUTCH

Ref	Part Number	Qty	Description
1	03900741	1	CLUTCH, SLIP, {PP:84429380} (2 to 12)
2	20742236	1	CLUTCH, PRESSURE PLATE, {PP:84429568}
3	31017256	1	SPROCKET, DRIVEN, {PP:84429588}
4	20303393	3	WASHER, {PP:84429531}
5	06229653	2	NUT, {PP:84429402}
6	03675354	1	ROLLER, {PP:84429378}
7	31017127	1	ROLLER, {PP:84429585}
8	31017192	1	PAWL, {PP:84429586}
9	06735934	1	SPRING, TENSION, {PP:84429421}
10	06451064	1	CIRCLIP, {PP:84429408}
11	03617056	1	NIPPLE, LUBE, {PP:84429362}
12	31017223	1	CLUTCH, PRESSURE PLATE, {PP:84429587}
13	06608630	1	SHIM, {PP:84429412}
14	800-1138	1	RING, {PP:84429606}

WWW.KORMO.BY

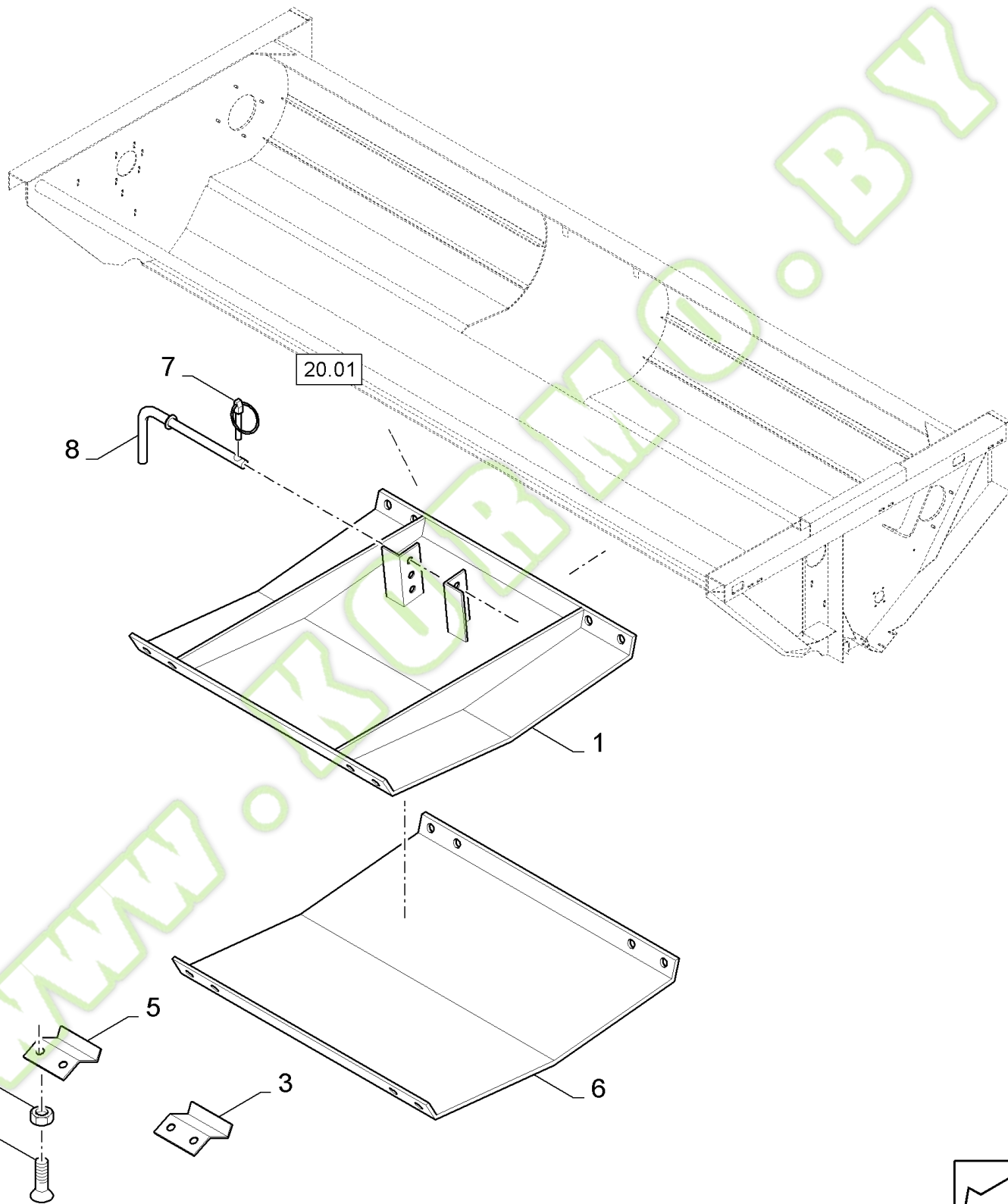
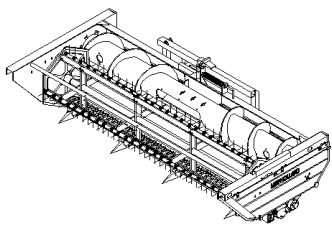
20.21(01) GUARDS



20.21(01) GUARDS

Ref	Part Number	Qty	Description
1	31092225	1	GUARD, {PP:84429597} LH
2	31092233	1	GUARD, {PP:84429598} RH
3	31092756	1	CAP, {PP:84429599}
4	80412116	19	BOLT, M8x16
5	06214776	19	NUT, {PP:84429400} M8
6	84429621	25	WASHER, 8.4MM
7	02034470	2	LOCK, {PP:84429518}
8	31092852	1	SUPPORT, {PP:84429601} RH
9	20304747	2	PLATE, {PP:84429543}
10	80300511	2	BOLT, M10x20
11	84429618	2	NUT, M10
12	06116155	4	NUT, {PP:84429397} M8
13	06700916	2	SPRING, TENSION, {PP:84429418}
14	31013670	1	GUARD, {PP:84429576}
15	412247	8	BOLT, {PP:80412247} M8x25
16	43139	8	SCREW, {PP:80043139} Hex, M10 x 25, 8.8, Full Thd, M10x25
17	895-11010	8	WASHER, {PP:84429622} M10 x 20 x 2, 10.5MM
18	31092828	1	SUPPORT, {PP:84429600}
19	31017617	1	PLATE, COVER, {PP:84429593}
20	20304152	2	CAP, {PP:84429534}

20.22(01) SKID SHOES

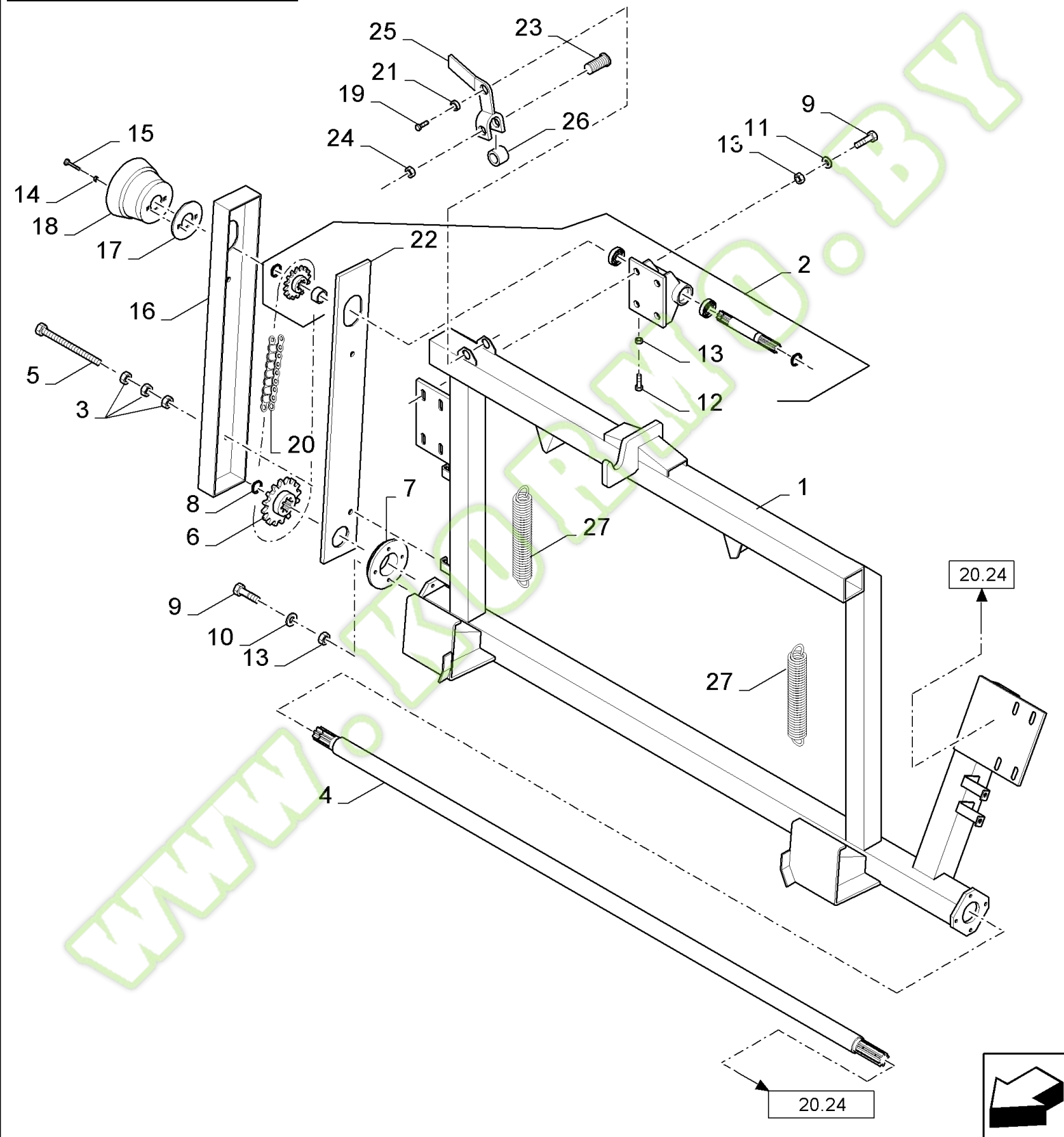
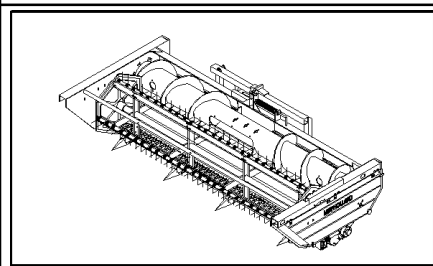


20.22(01) SKID SHOES

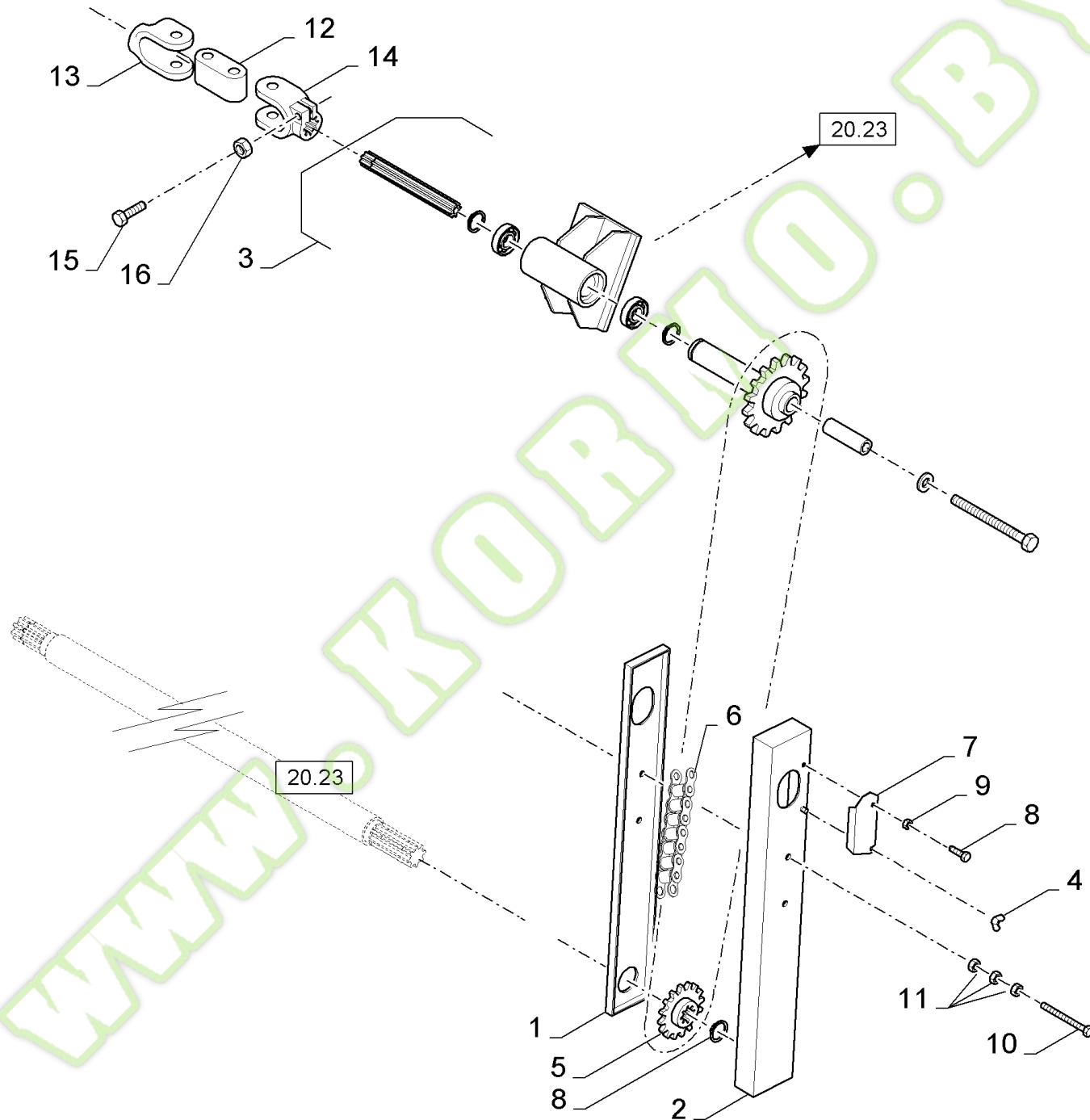
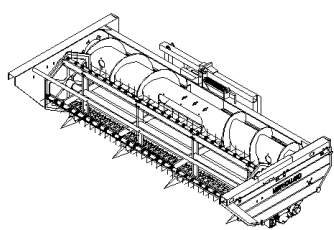
Ref	Part Number	Qty	Description
1	20338258	2	PLATE, {PP:84429561}
2	825-1410	4	NUT, {PP:84429615} M10, CI 8, M10
3	20304361	2	CLAMP, {PP:84429535}
4	379528	4	SCREW, {PP:80379528} Hex Flat Hd, M10 x 25, 4.8, M10x25
5	20303762	2	CLAMP, {PP:84429532}
6	31220798	1	PLATE, {PP:84429562}
7	04010027	2	PIN, LOCK, {PP:84429387}
8	20303850	2	PIN, LOCK, {PP:84429533}

WWW.KORMO.BY

20.23(01) ADAPTOR AND DRIVE, RH

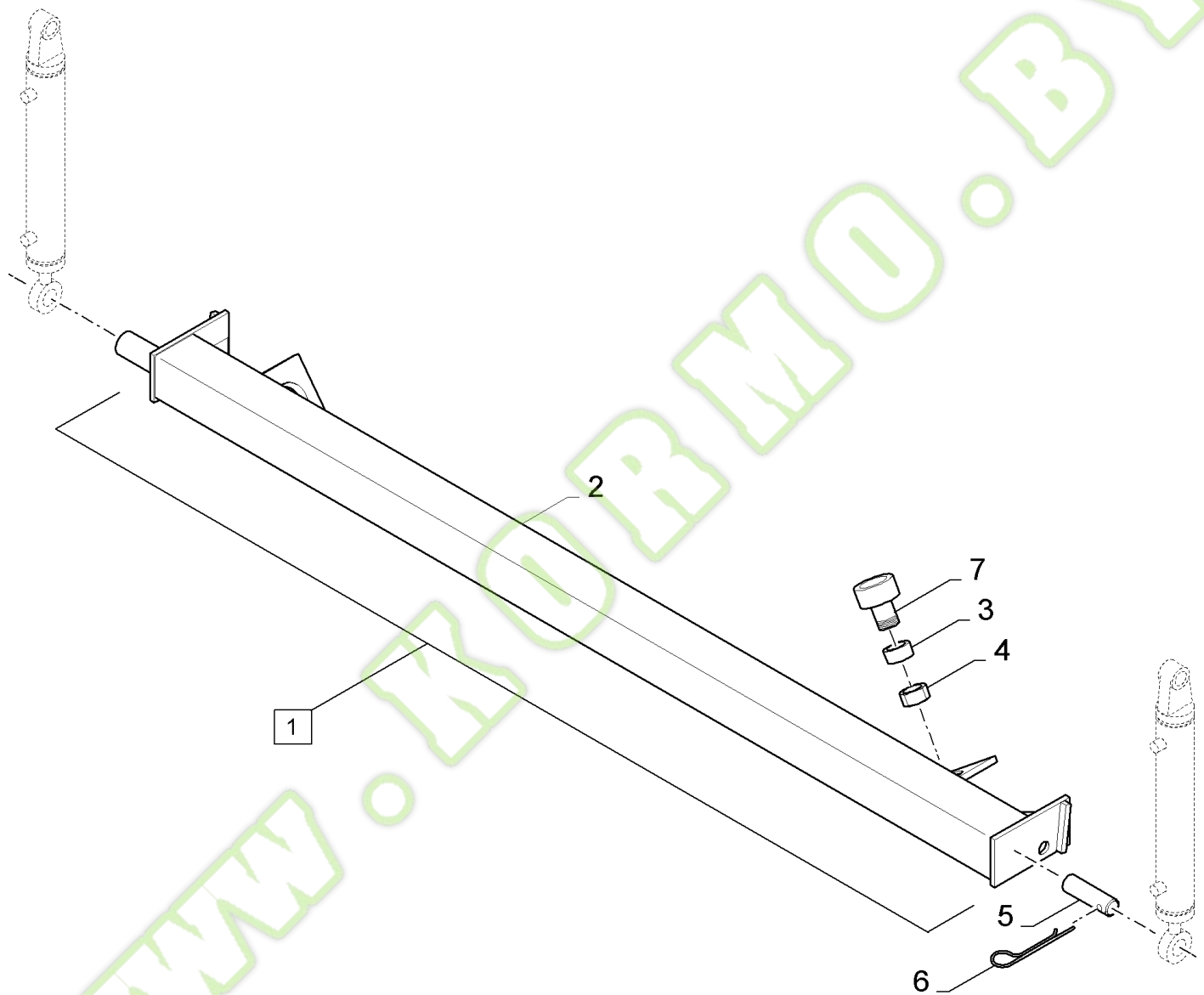
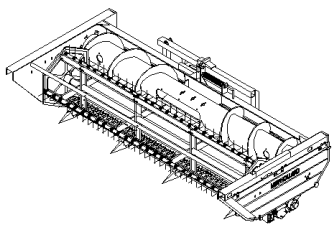


Ref	Part Number	Qty	Description
1	84429706	1	FRAME,
2	84429707	1	BEARING ASSY,
3	825-1410	AR	NUT, {PP:84429615} M10, CI 8,
4	84429709	1	SHAFT,
5	538885	2	SCREW, {PP:80538885} Hex, M10 x 90, 8.8, Full Thd, M10x90
6	84429711	1	SPROCKET,
7	03435452	2	BEARING ASSY, {PP:84429712}
8	80300642	2	CIRCLIP,
9	84429713	AR	SCREW, M12x40
10	06577011	AR	PLATE, LOCKING, {PP:84429714} 12MM
11	06562038	AR	WASHER, {PP:84429715} 13MM
12	614-12040	AR	BOLT, {PP:84429716} Hex, M12 x 40, 8.8, Full Thd, M12x40
13	825-1412	AR	NUT, {PP:84429616} M12, CI 8, M12
14	84429733	AR	NUT, M10
15	84429732	AR	SCREW,
16	84429719	1	COVER,
17	84429731	2	RING,
18	03015354	1	COVER, CAP, {PP:84429730}
19	300388	1	SCREW, {PP:80300388} Hex, M12 x 25, 8.8, M12x25
20	06838032	1	CHAIN (AGRICULTURE), {PP:84429721}
21	84429729	1	WASHER,
22	84429723	1	PLATE,
23	84429728	1	PIN, SPLIT (COTTER),
24	03716983	1	BOLT, {PP:84429727}
25	84429725	1	SUPPORT,
26	84429726	1	ROLLER,
27	84429697	2	SPRING,



Ref	Part Number	Qty	Description
1	84429722	1	PLATE,
2	84429718	1	COVER,
3	84429708	1	HOUSING, BEARING,
4	84429736	1	SCREW,
5	31095043	1	SPROCKET, {PP:84429710}
6	84429720	1	CHAIN,
7	84429734	1	COVER,
8	84429735	1	SCREW, M8x12
9	06116155	1	NUT, {PP:84429397}
10	84429724	2	SCREW, M10x110
11	825-1410	AR	NUT, {PP:84429615} M10, Cl 8, M10
12	03002317	1	PTO, {PP:84429717}
13	NS	1	NOT SERVICED, Yoke
14	NS	1	NOT SERVICED, Yoke
15	NS	1	NOT SERVICED, Screw
16	NS	1	NOT SERVICED, Nut

20.25(01) CROSSBEAM

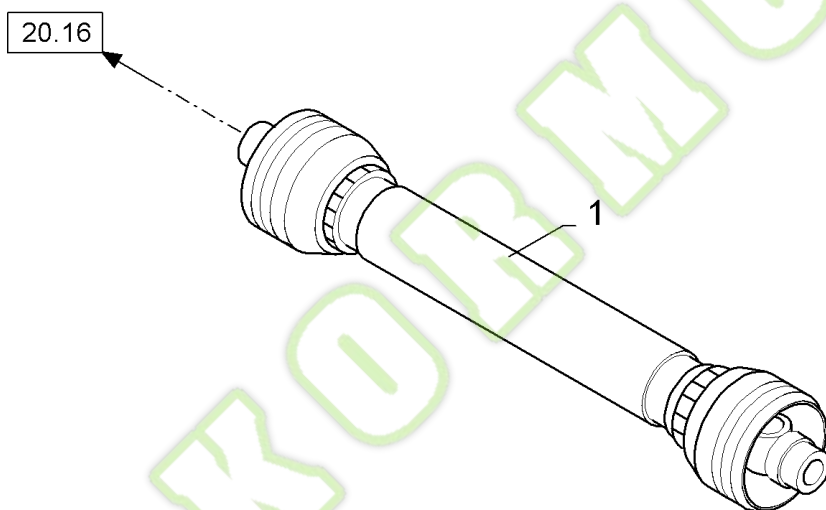
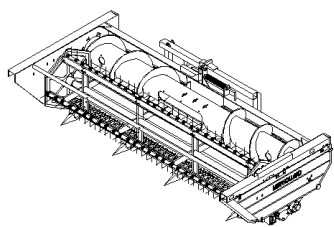


20.25(01) CROSSBEAM

Ref	Part Number	Qty	Description
1	31230541	1	ROLLER, {PP:84429696} (2 to 7)
2	NSS	1	NOT SERVICED SEPARATELY,
3	36200113	2	SPACER, {PP:84429702}
4	06216062	2	NUT, {PP:84429703} M30
5	84429707	2	BEARING ASSY,
6	733-6340	4	PIN, SPLIT (COTTER), {PP:84429705} M6.3 x 40,
7	03613823	2	ROLLER, {PP:84429701}

WWW.KORMO.BY

20.26(01) DRIVE SHAFT, UNIVERSAL

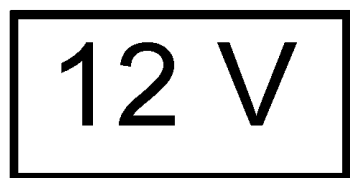
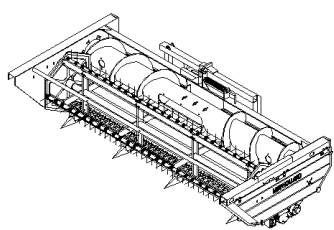


20.26(01) DRIVE SHAFT, UNIVERSAL

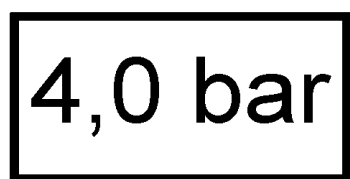
Ref	Part Number	Qty	Description
1	03005088	1	SHAFT, PTO, {PP:84429354}

WWW.KORMO.BY

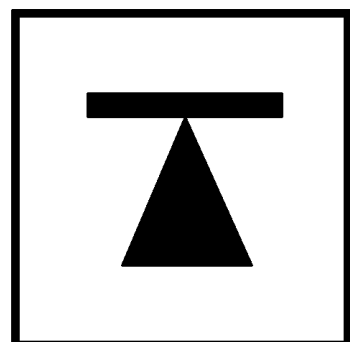
20.27(01) DECALS



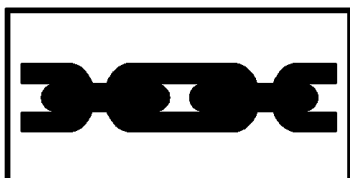
1



2



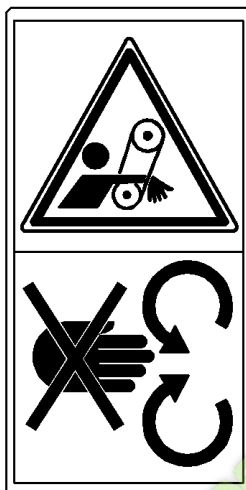
3



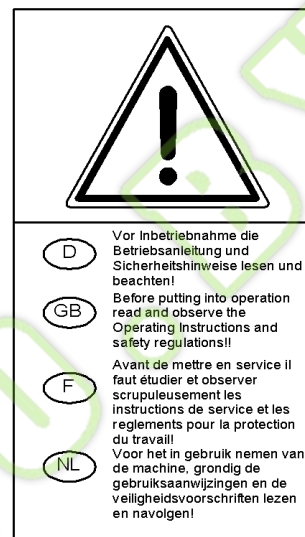
4



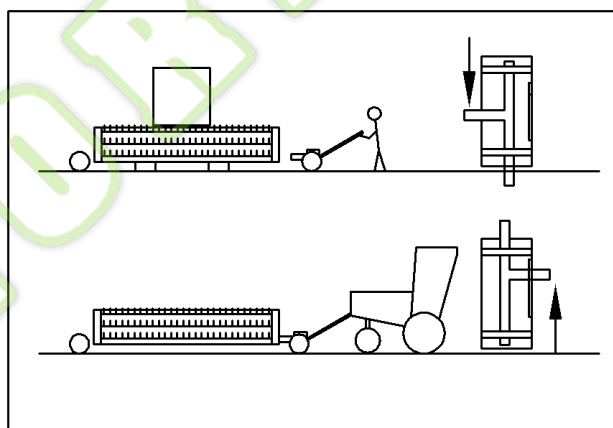
7



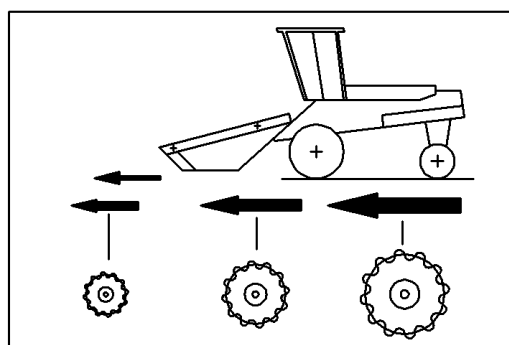
5



6



9



8

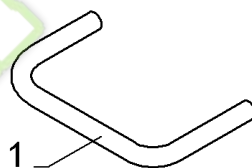
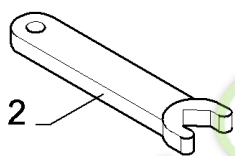
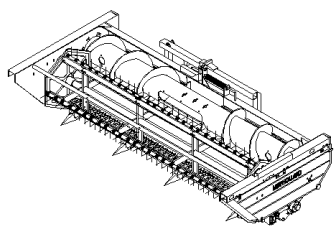


20.27(01) DECALS

Ref	Part Number	Qty	Description
1	84429680	AR	DECAL,
2	84429681	AR	DECAL,
3	84429682	AR	DECAL,
4	09164633	AR	DECAL, {PP:84429436}
5	09168147	AR	ADHESIVE, {PP:84429458}
6	09164705	AR	DECAL, {PP:84429437}
7	84429683	AR	DECAL,
8	09161751	AR	ADHESIVE, {PP:84429435}
9	84400784	AR	DECAL,

WWW.KORMO.BY

20.28(01) KNIFE, ACCESSORIES



WWW.KORMO.BY

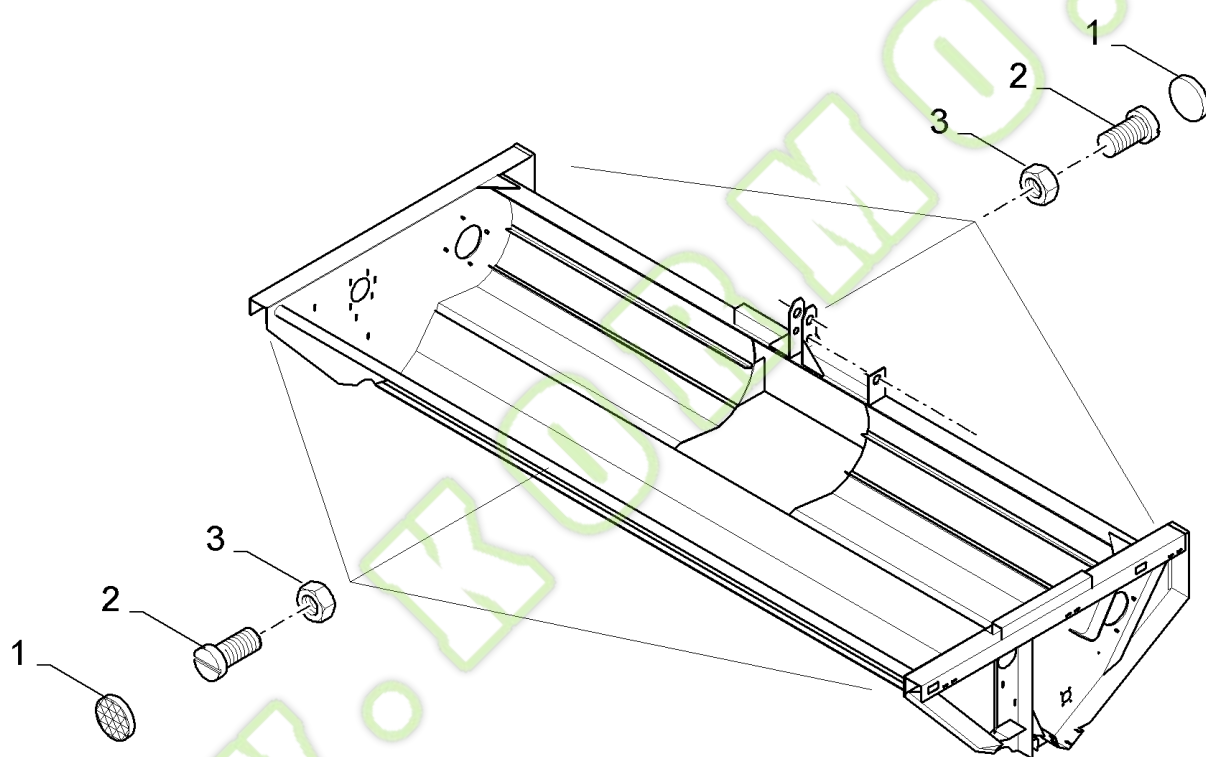
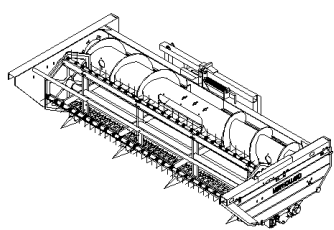


20.28(01) KNIFE, ACCESSORIES

Ref	Part Number	Qty	Description
1	84429554	1	HOOK,
2	9611697	1	SUPPORT, {PP:84429459}

WWW.KORMO.BY

20.29(01) REFLECTOR

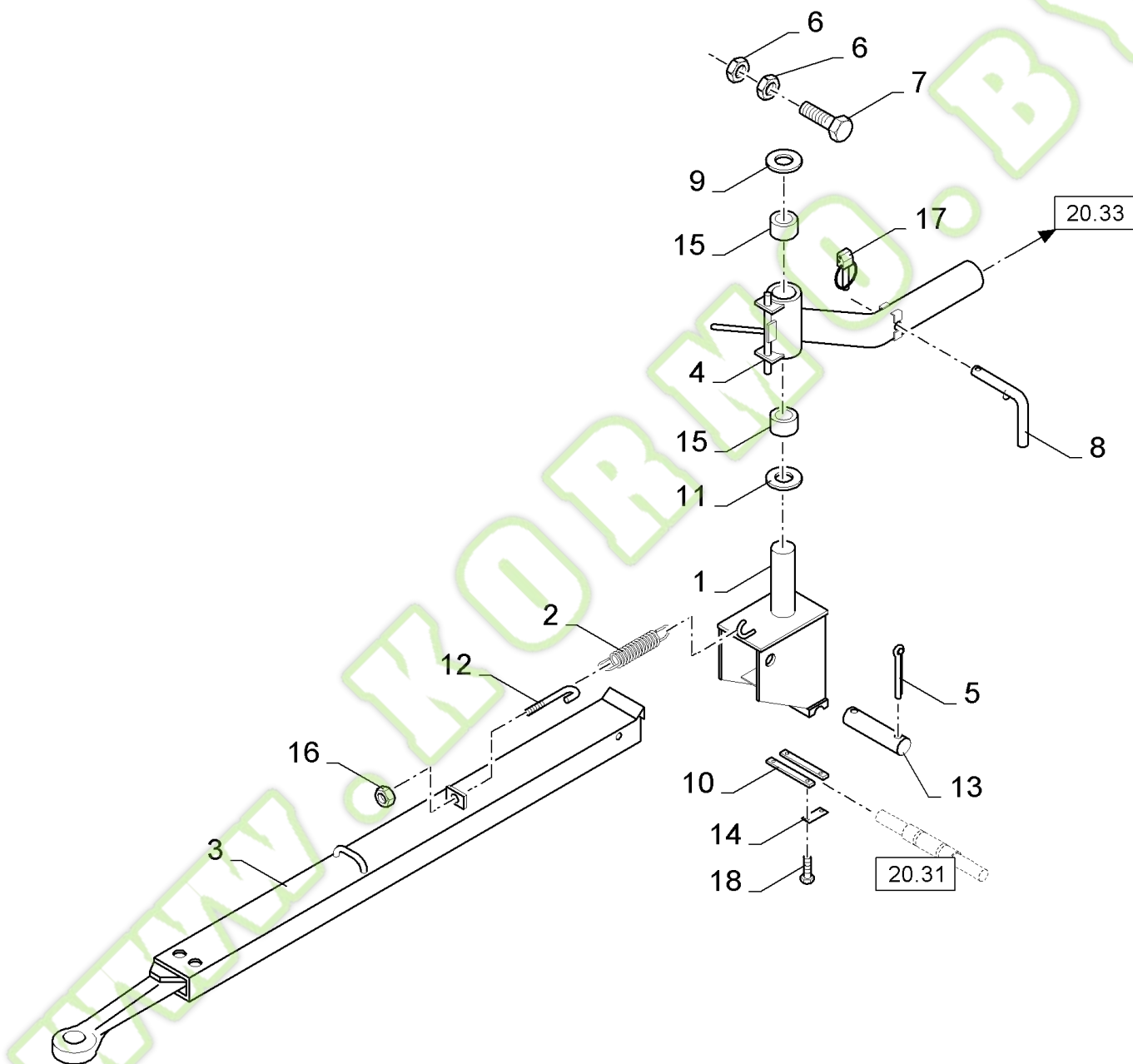
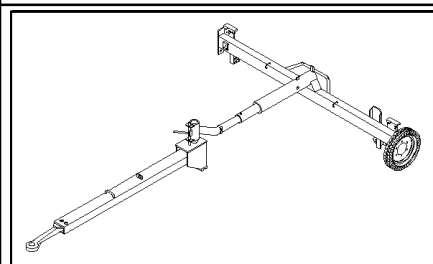


20.29(01) REFLECTOR

Ref	Part Number	Qty	Description
1	04002984	6	REFLECTOR, {PP:84429385}
2	06019820	6	SCREW, {PP:84429392} M5x16
3	84429398	6	NUT, M5

WWW.KORMO.BY

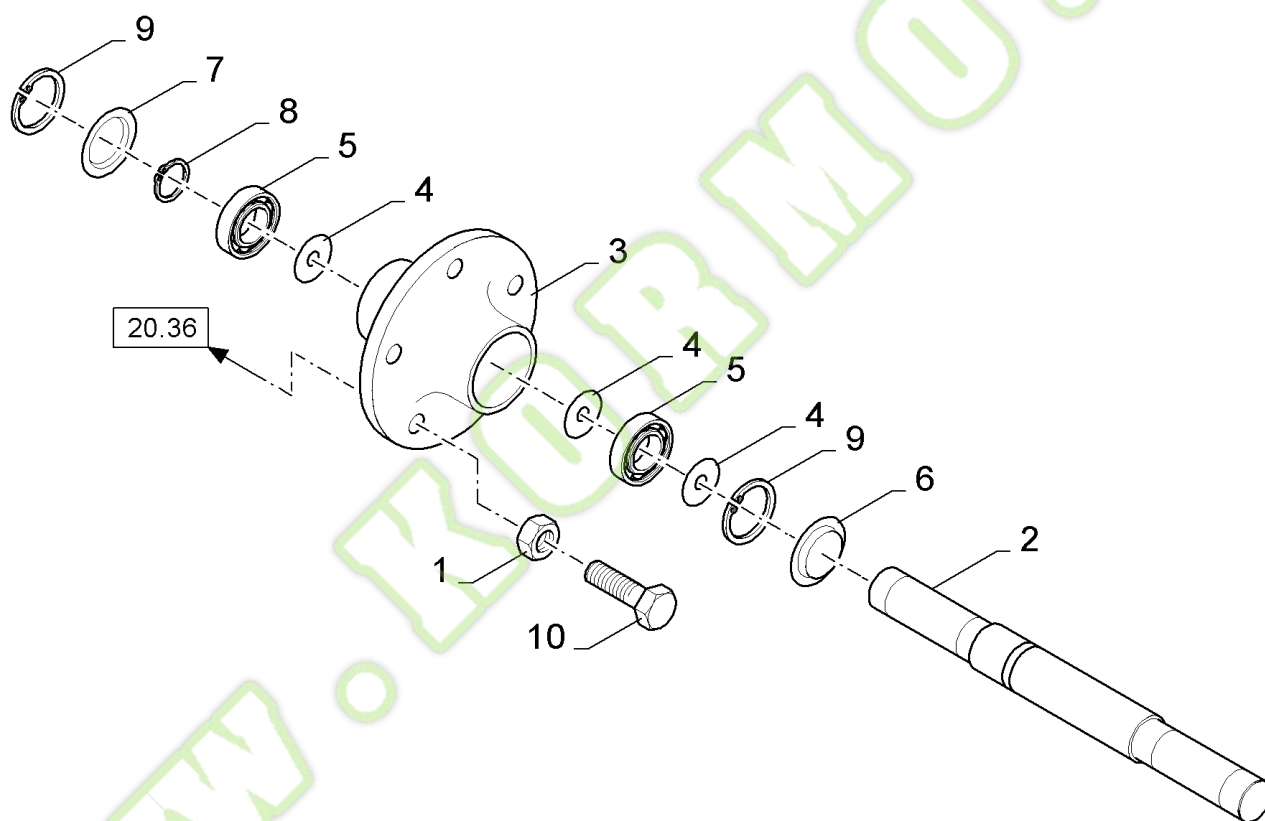
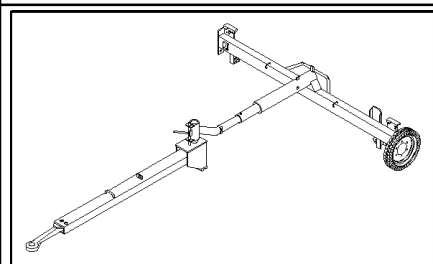
20.30(01) FRONT CARRIAGE



20.30(01) FRONT CARRIAGE

Ref	Part Number	Qty	Description
1	84429547	1	SUPPORT,
2	06703412	1	SPRING, TENSION, {PP:84429419}
3	20534237	1	DRAWBAR, {PP:84429565}
4	31019491	1	SUPPORT, {PP:84429595}
5	89515820	2	PIN, SPLIT (COTTER),
6	825-1408	2	NUT, {PP:84429614} M8, CI 8, M8
7	412215	1	SCREW, {PP:80412215} Hex, M8 x 100, 8.8, M8x100
8	20312417	2	PIN, {PP:84429544}
9	20312618	1	RING, {PP:84429545}
10	20312763	1	CLAMP, {PP:84429548}
11	20312634	1	WASHER, {PP:84429546}
12	06067450	1	EYEBOLT, {PP:84429393}
13	84429564	1	PIN,
14	20313346	2	PLATE, LOCKING, {PP:84429553}
15	01325297	2	SLEEVE, {PP:84429349}
16	06113193	1	NUT, {PP:84018179} M12
17	04000468	2	PIN, LOCK, {PP:84429384}
18	300388	4	SCREW, {PP:80300388} Hex, M12 x 25, 8.8, M12x25

20.31(01) FRONT AXLE

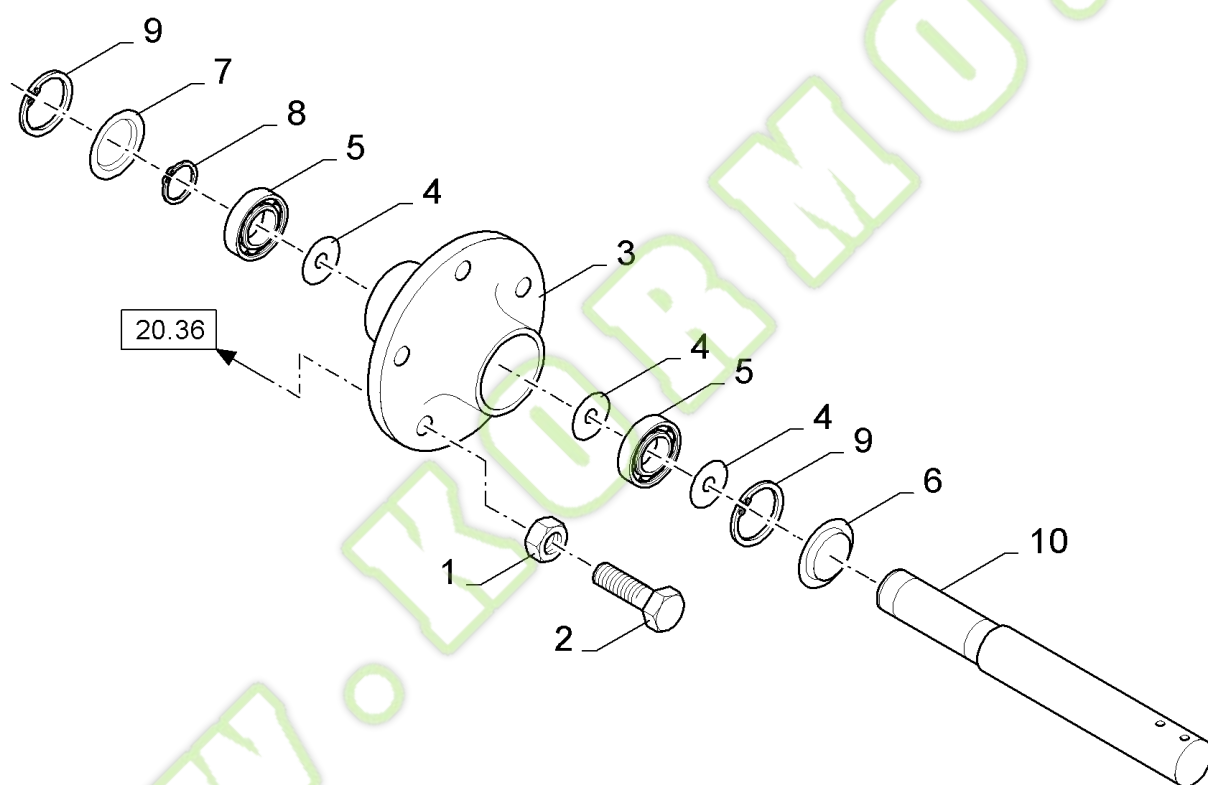
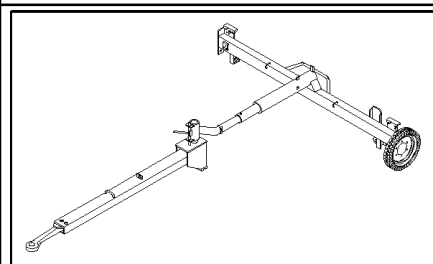


20.31(01) FRONT AXLE

Ref	Part Number	Qty	Description
1	06111560	10	NUT, {PP:84429394}
2	20312796	1	AXLE, FRONT, {PP:84429549}
3	20085784	2	HUB, {PP:84429519}
4	84429520	6	SEAL,
5	03651363	4	BEARING ASSY, {PP:84429364}
6	20312802	2	SEAL, {PP:84429550}
7	20312810	2	COVER, {PP:84429351}
8	80300642	2	CIRCLIP,
9	800-2162	4	CIRCLIP, {PP:84429607}
10	07638145	10	RHEOSTAT, {PP:84429433}

WWW.KORMO.BY

20.32(01) WHEEL BEARING

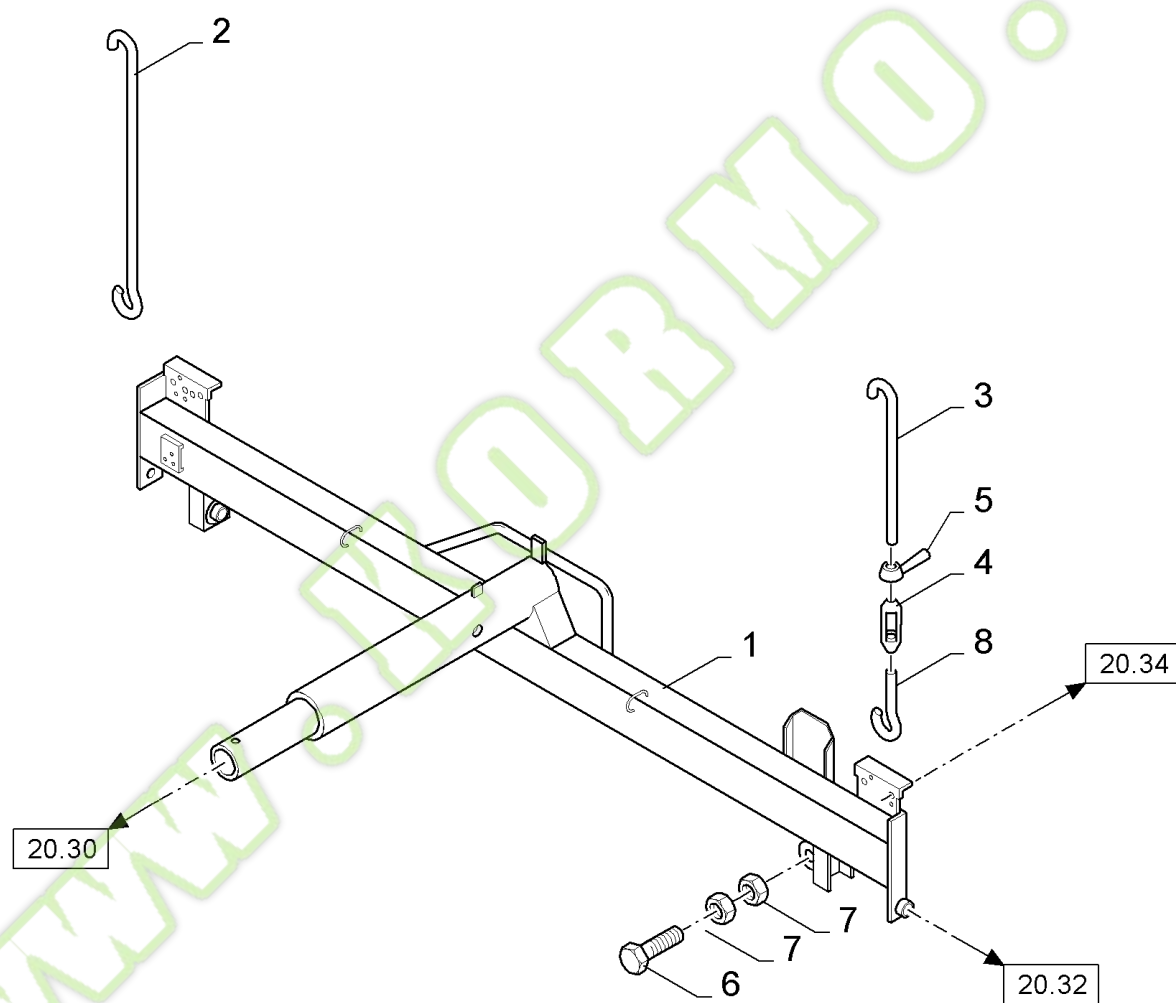
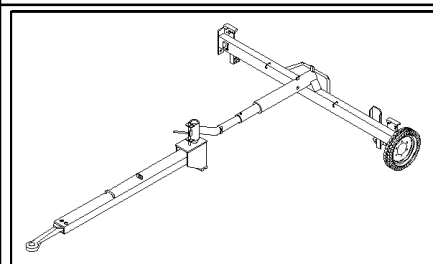


20.32(01) WHEEL BEARING

Ref	Part Number	Qty	Description
1	06111560	5	NUT, {PP:84429394}
2	07638145	5	RHEOSTAT, {PP:84429433}
3	20085784	1	HUB, {PP:84429519}
4	84429520	3	SEAL,
5	03651363	2	BEARING ASSY, {PP:84429364}
6	20312802	1	SEAL, {PP:84429550}
7	20303393	1	WASHER, {PP:84429531}
8	80300642	1	CIRCLIP,
9	800-2162	2	CIRCLIP, {PP:84429607}
10	20534622	1	AXLE-SHAFT, {PP:84429567}

WWW.KORMO.BY

20.33(01) REAR CARRIAGE

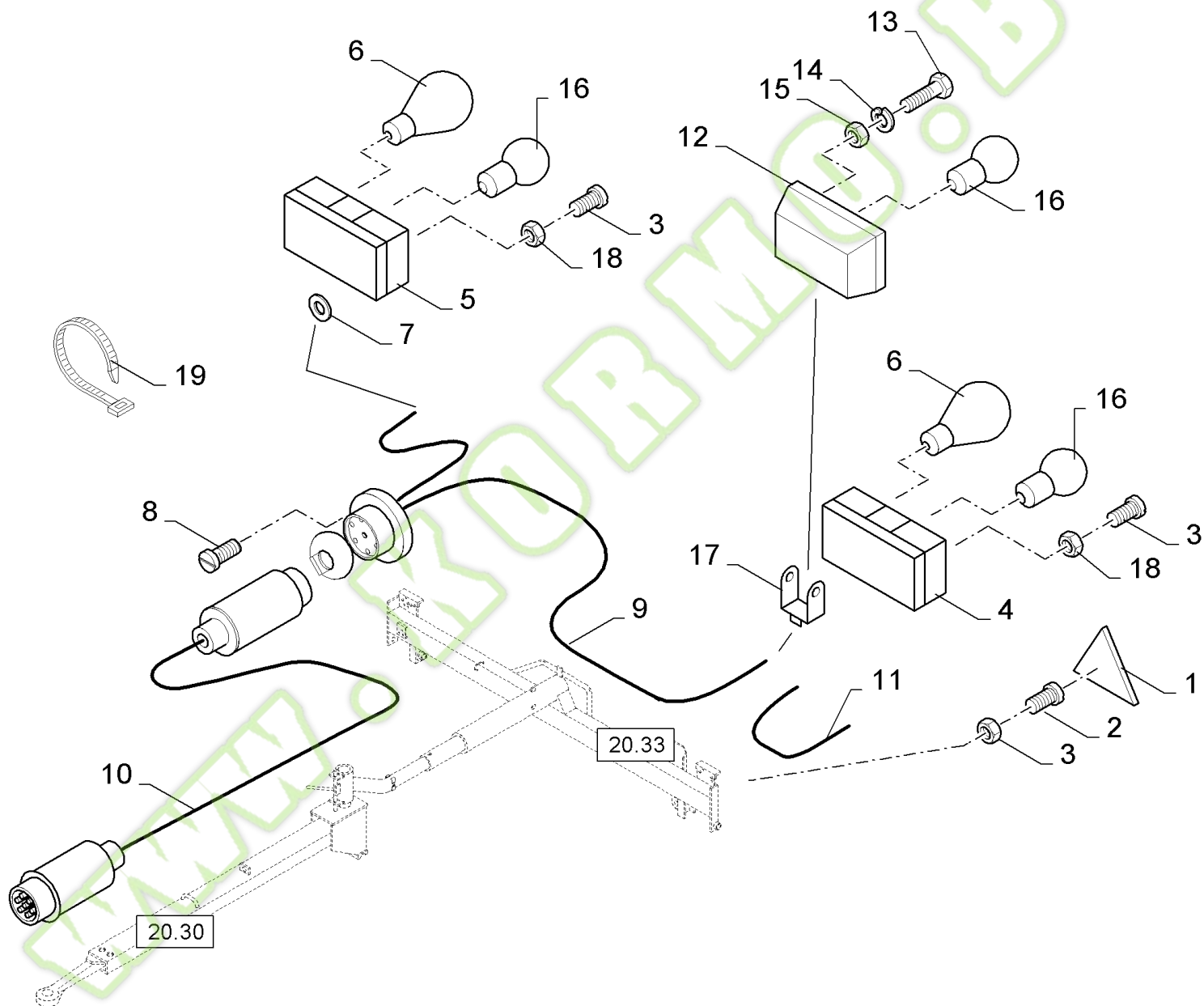
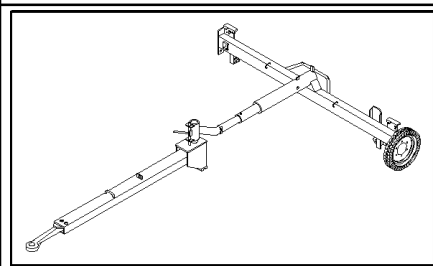


20.33(01) REAR CARRIAGE

Ref	Part Number	Qty	Description
1	31019547	1	FRAME, {PP:84429596}
2	84429552	1	ROD,
3	20313065	1	ROD, THREADED, {PP:84429551}
4	06113835	1	LINK BLOCK, {PP:84429395}
5	06606050	1	HANDLE, {PP:84429411}
6	814-10075	2	BOLT, {PP:15215121} Hex, M10 x 75, 8.8, M10x75
7	825-1410	4	NUT, {PP:84429615} M10, Cl 8, M10
8	20534245	1	EYEBOLT, {PP:84429566}

WWW.KORMO.BY

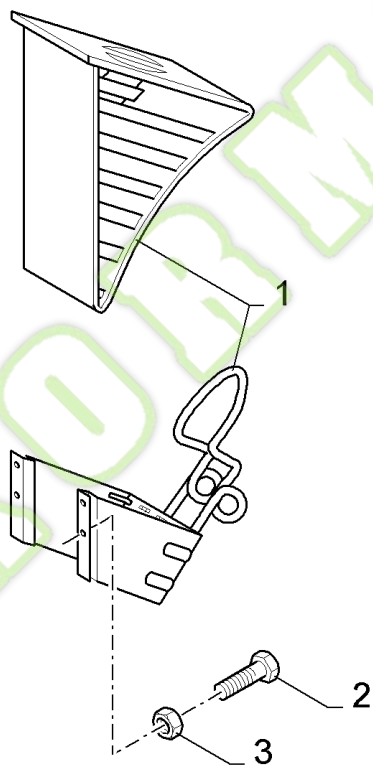
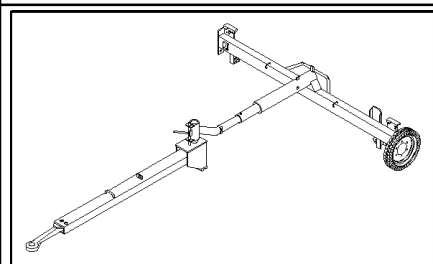
20.34(01) ELECTRICAL EQUIPMENT



20.34(01) ELECTRICAL EQUIPMENT

Ref	Part Number	Qty	Description
1	04022746	2	REFLECTOR, {PP:84429388}
2	06019820	4	SCREW, {PP:84429392} M5x16
3	84429398	8	NUT, M5
4	07067706	1	LIGHT, TAIL, {PP:84429426}
5	07067714	1	LIGHT, TAIL, {PP:84429427}
6	07024794	4	BULB, {PP:84429424}
7	21427450	2	WASHER, {PP:84429572}
8	412625	3	SCREW, {PP:80412625} Cross Pan Hd, M5 x 25, M5x25
9	03929833	1	HARNESS, WIRE, {PP:84429383}
10	07076282	1	HARNESS, {PP:84429431}
11	07076305	1	CABLE, {PP:84429432}
12	07067747	1	LAMP, {PP:84429428}
13	80062265	2	SCREW, M4x12
14	06454975	2	WASHER, LOCK, {PP:12035371} 4MM
15	84429613	2	NUT, M4
16	07067683	3	BULB, {PP:84429425}
17	07071487	2	CONNECTION, {PP:84429430}
18	06004002	4	SCREW, {PP:84429391} M5x16
19	07069900	4	CABLE, {PP:84429429}

20.35(01) WHEEL WEDGE

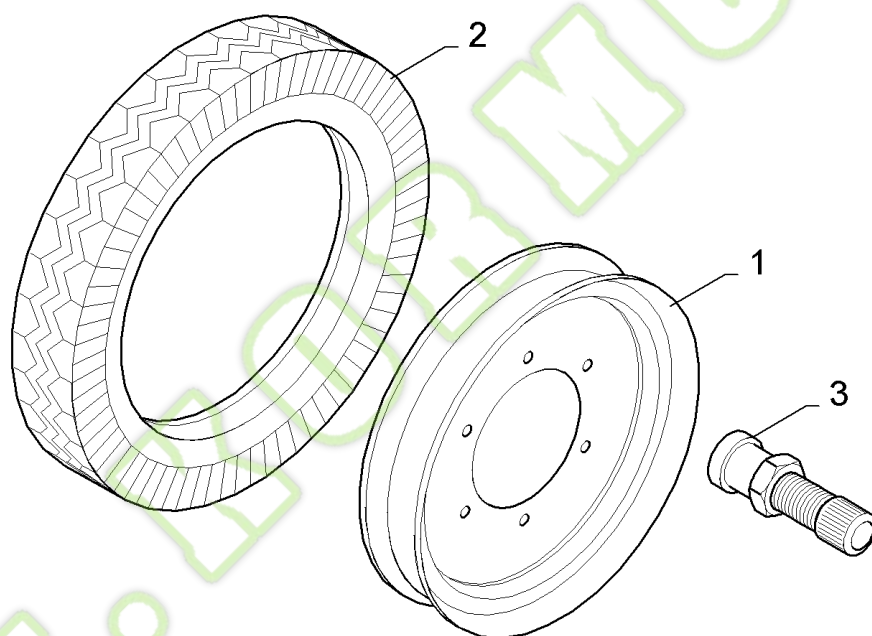
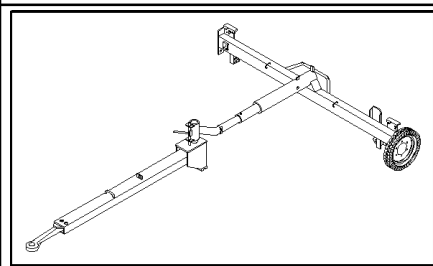


20.35(01) WHEEL WEDGE

Ref	Part Number	Qty	Description
1	04009154	1	WHEEL CHOCK, {PP:84429386}
2	80412116	4	BOLT, M8x16
3	825-1408	4	NUT, {PP:84429614} M8, CI 8, M8

WWW.KORMO.BY

20.36(01) TIRES (21X4TL)



WWW.KORMO.BY



20.36(01) TIRES (21X4TL)

Ref	Part Number	Qty	Description
1	04022754	2	RIM, {PP:84429389}
2	84429350	2	TYRE/TIRE,
3	04022762	2	VALVE, PNEUMATIC, {PP:84429390}

WWW.KORMO.BY

WWW.KORMO.BY