

Attachments

**for DC510 DIRECT CUT HEADER,
FROM S_N DCF4900101 ONWARDS (3_03-)**

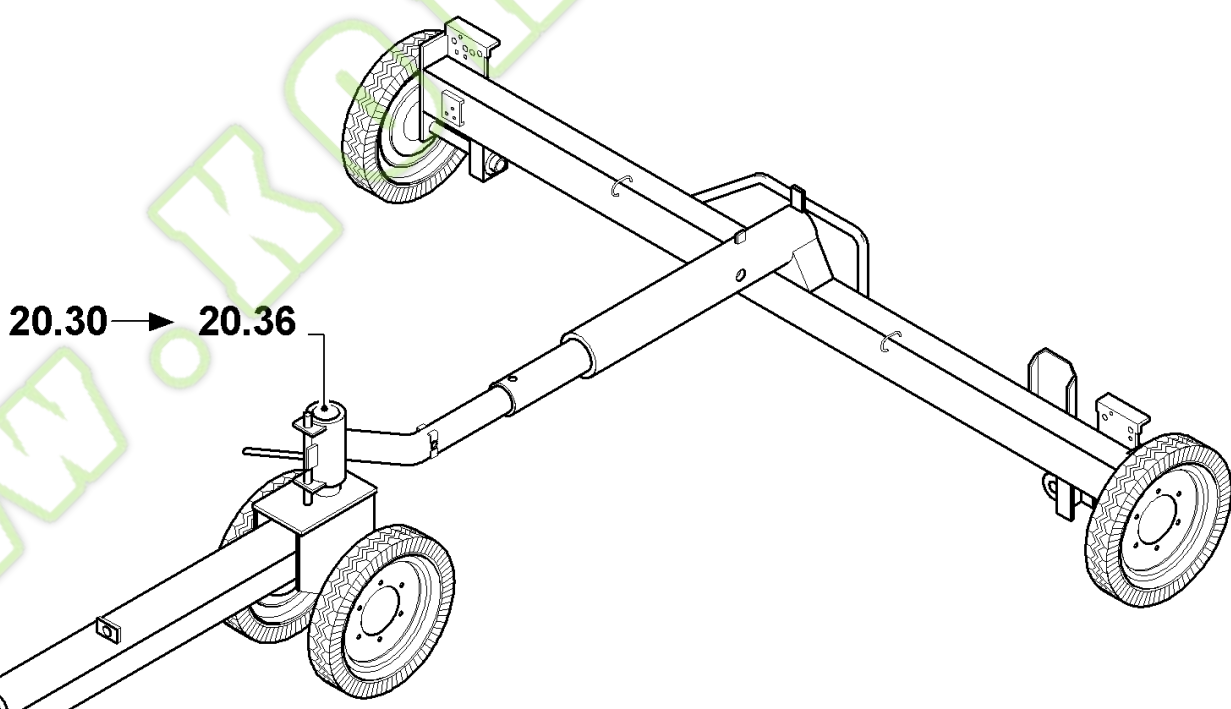
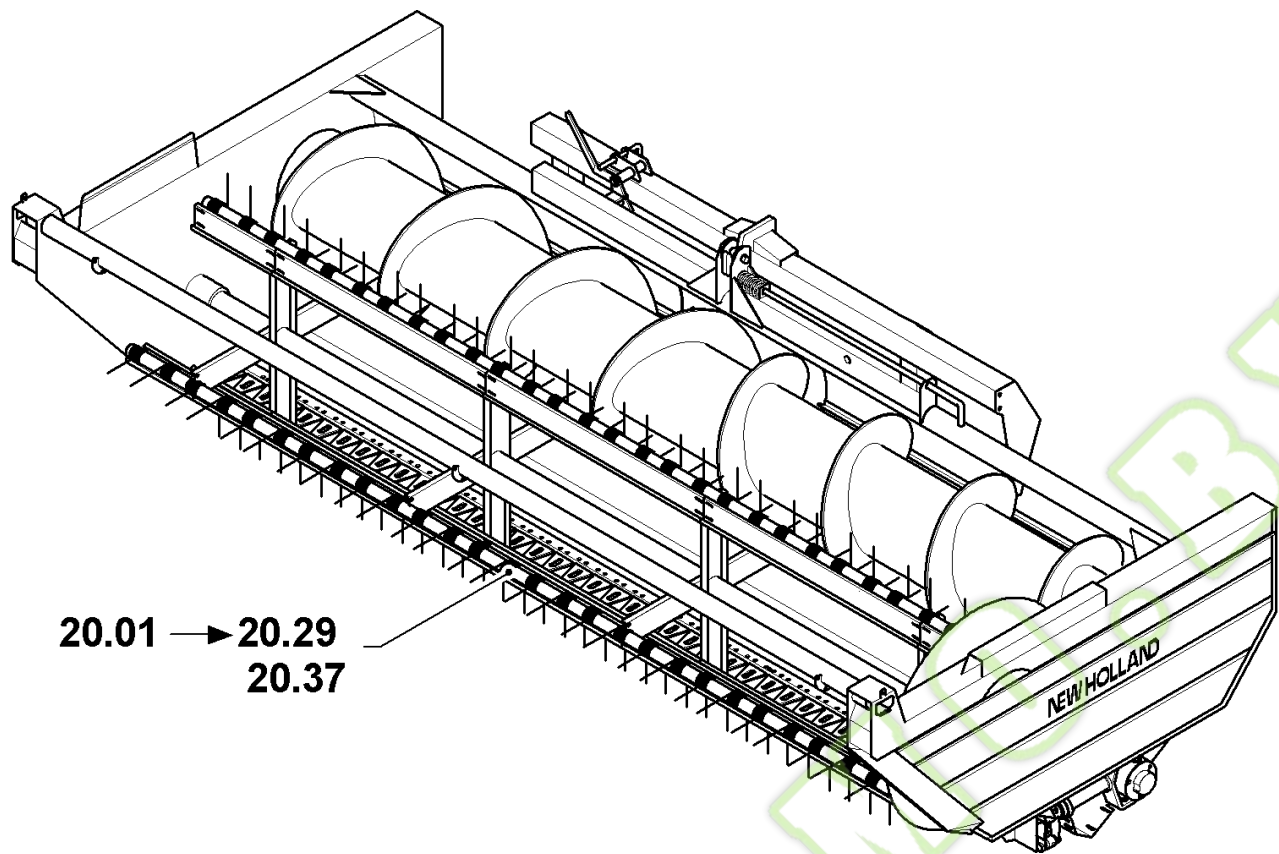
FX30 SELF-PROPELLED FORAGE HARVESTER (10/02-)

FX40 SELF-PROPELLED FORAGE HARVESTER (10/02-)

FX50 SELF-PROPELLED FORAGE HARVESTER (10/02-)

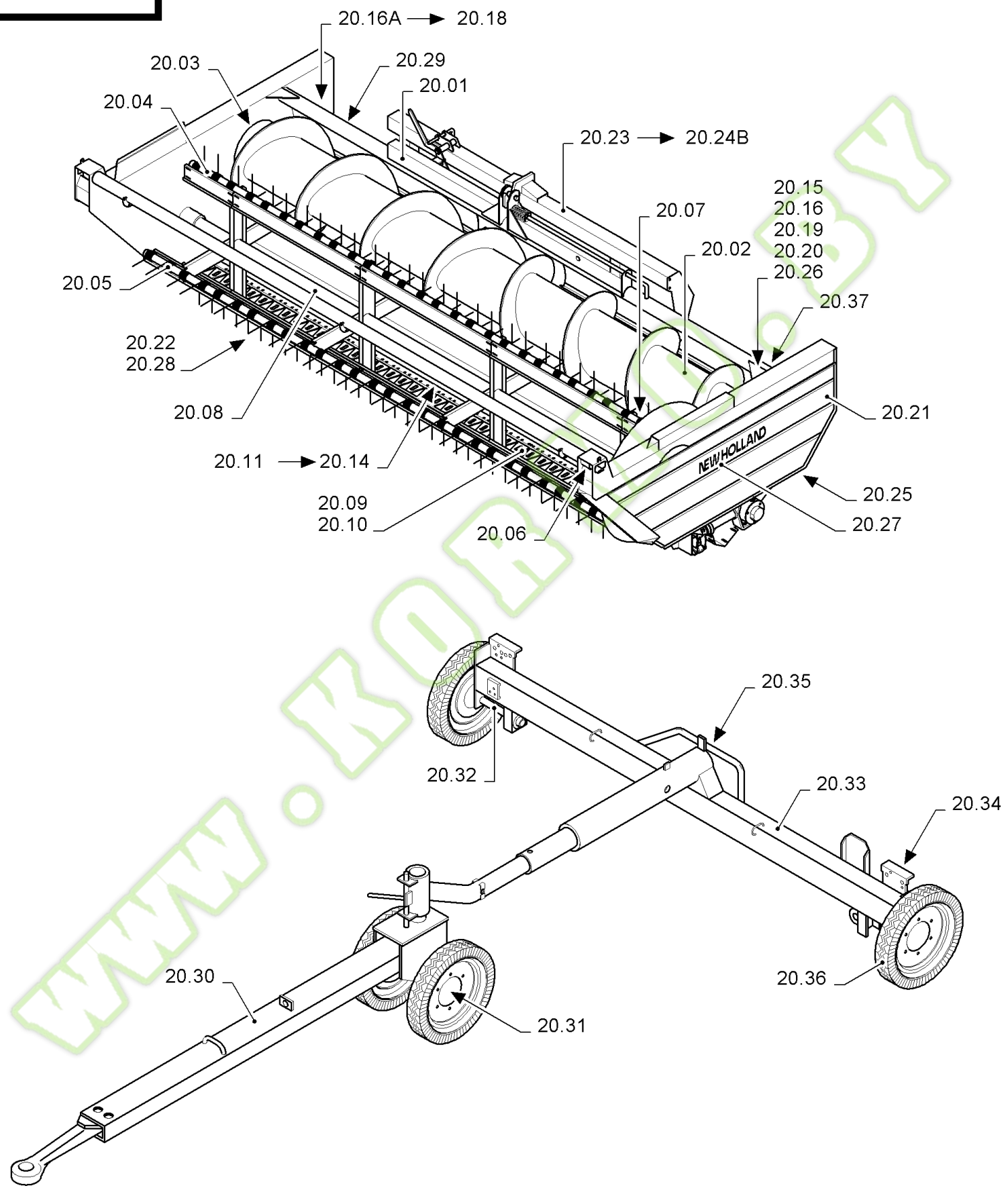
FX60 SELF-PROPELLED FORAGE HARVESTER (10/02-)

WWW.KORMO.BY



Ref	Part Number	Qty	Description
<p>WWW.KORMO.BY</p>			

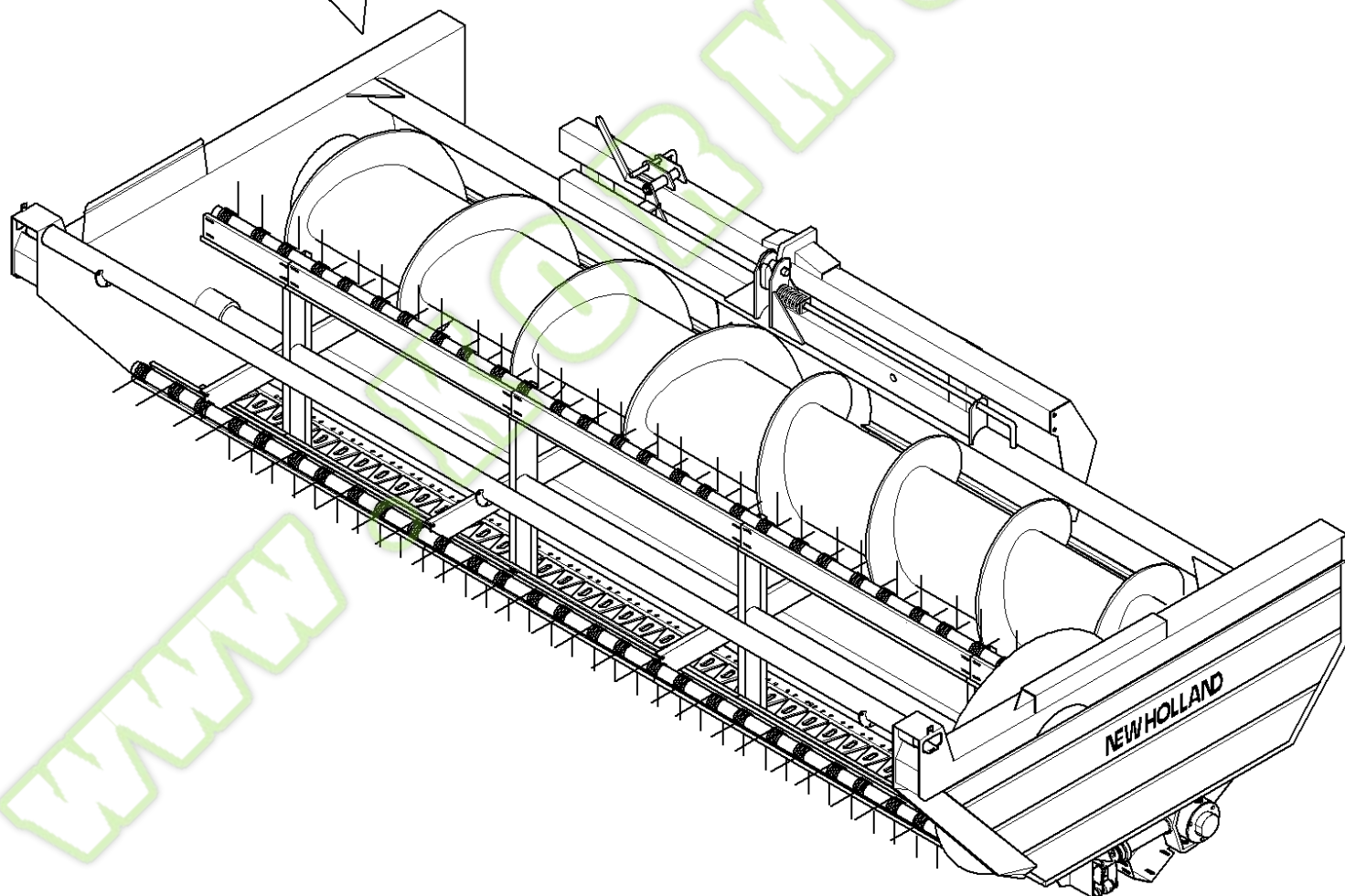
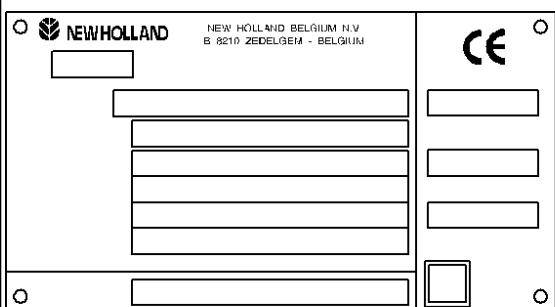
SEC. 20



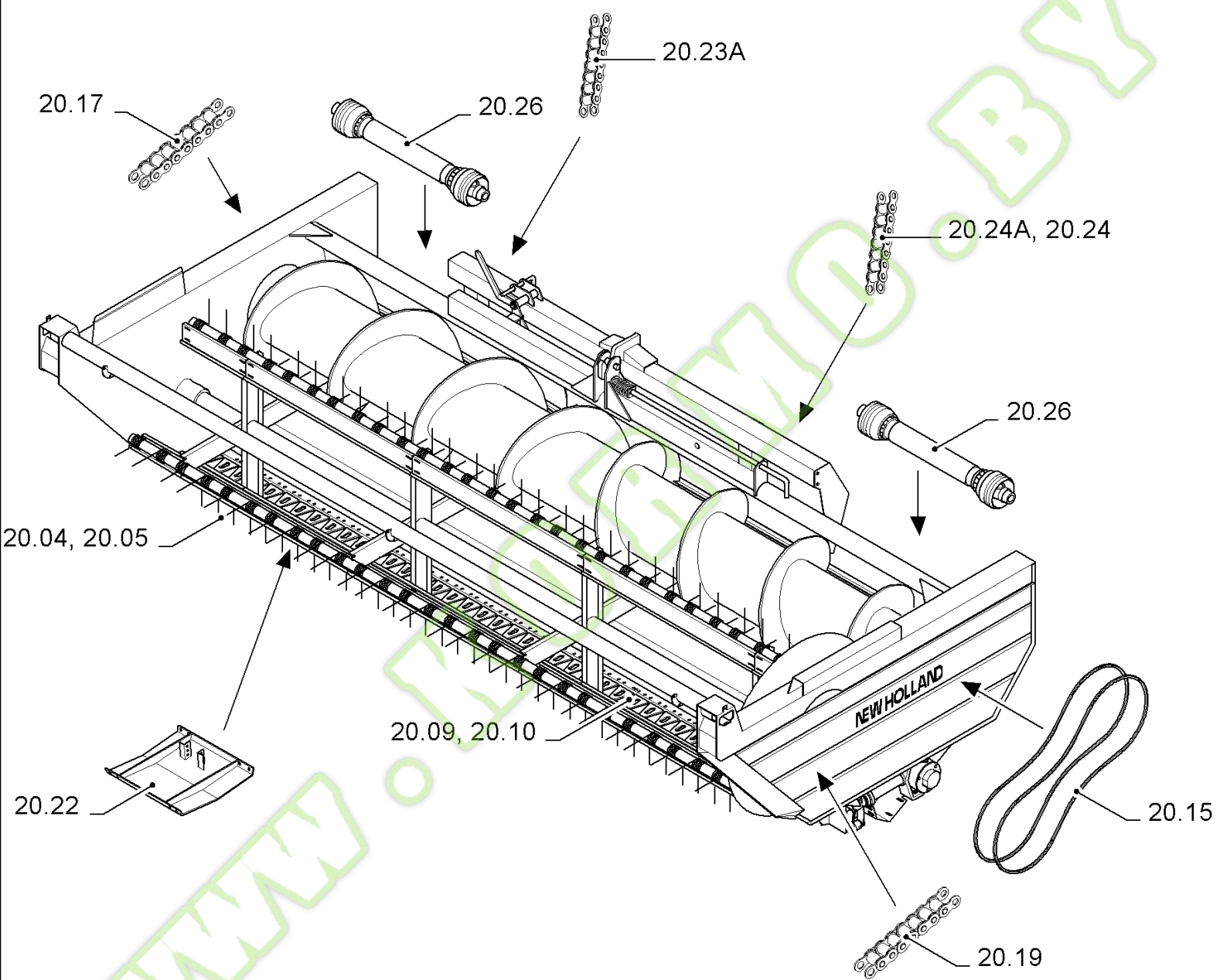
Ref	Part Number	Qty	Description
<p>WWW.KORMO.BY</p>			

Vehicle	Modelo	Chassi	Chasis	Engine	Motor
Modello	Modelo	Telaio	Armação	Motore	Motor
Modele	Model	Chassis	Stativ	Moteur	Motor
Modelle	Model	Fahrgestell	Raam	Motor	Motor
DC510		DCF 490 0101			

Ref	Part Number	Qty	Description
<p>WWW.KORMO.BY</p>			



Ref	Part Number	Qty	Description
<p>WWW.KORMO.BY</p>			



Ref	Part Number	Qty	Description
<p>WWW.KORMO.BY</p>			

Ref	Part Number	Qty	Description
<p>WWW.KORMO.BY</p>			

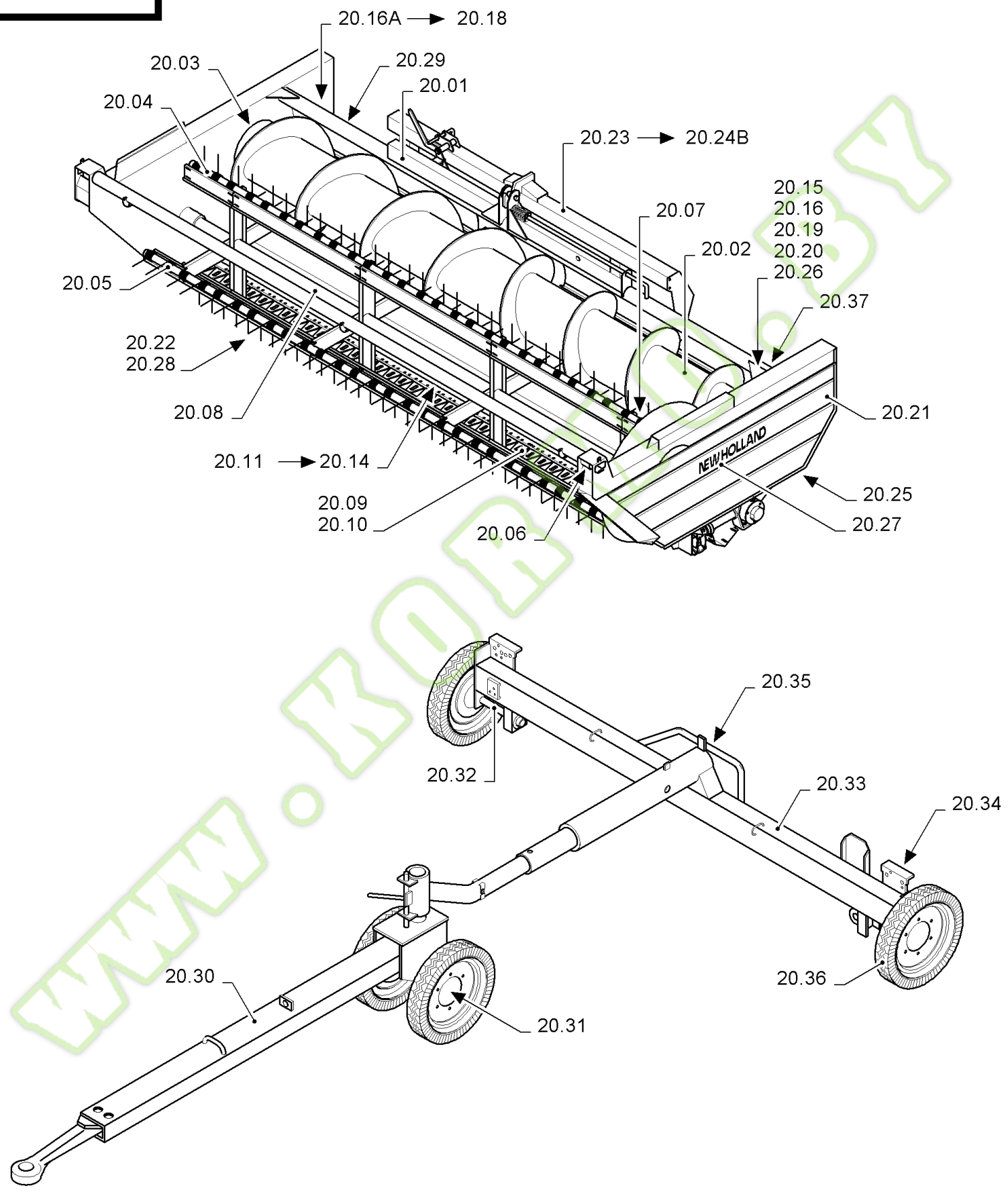
ABBREVIATIONS ABBREVIAZIONI ABBREVIATIONS ABKÜRZUNGEN		ABREVIACIONES ABREVIATURAS FORKORTELSER AFKORTINGEN		
	Description Denominacion	Descrizione Denominação	Description Beskrivelse	Bezeichnung Beschrijving
ASSY	ASSEMBLY MONTAJE	COMPLESSIVO GRUPO	ENSEMBLE AGGREGAT	KOMPL. EINHEIT MONTAGEGROEP
AR	AS REQUIRED SEGÚN NECESIDAD	A RICHIESTA SEGUNDO NECESSIDADE	SELON BESOIN EFTER BEHOV	NACH BEDARF NAAR BEHOEFTE
NS	NOT SERVICED NO DISPONIBLE	NON DISPONIBILE NÃO DISPONIVEL	PAS DISPONIBLE IKKE DISPONIBEL	NICHT LIEFERBAR NIET BESCHIKBAAR
NSS	NOT SERVICED SEPARATELY NO DISPON.PAR SEPARADO	NON DISPONIBILE SEPARATAM. NÃO DISPON.EM SEPARADO	PAS DISPON. SEPAR. IKKE DISPON.SEPARAT	NICHT SEPARAT LIEFERBAR NIET AFZOND. BESCHIKB.
INCL.	INCLUDES INCLUYE	COMPRENDE INCLUI	COMPREND INDKLUDELERER	ENTHÄLT BEVÄLT
(2,3)	INCLUDES INCLUYE	COMPRENDE INCLUI	COMPREND INDKLUDELERER	ENTHÄLT BEVÄLT
LH	LEFT HAND MANO IZQUIERDA	LATO SINISTRO MÃO ESQUERDA	COTE GAUCHE VENSTRE	LINKS LINKS
RH	RIGHT HAND MANO DERECHA	LATO DESTRO MÃO DIREITA	COTE DROIT HØJRE	RECHTS RECHTS
SEE FIGURE	SEE FIGURE VÉRSE FIGURA	VEDERE FIGURA VEJA FIGURA	VOIR FIGURE SE FIGUR	SIEHE ABBILDUNG ZIE AFBEELDING
THK	THICKNESS ESPESAR	SPESSORE ESPESURA	EPAISSEUR TYKKELSE	STÄRKE DIKTE
Ø or DIA	DIAMETER DIAMETRO	DIAMETRO DIÁMETRO	DIAMETRE DIAMETER	DURCHMESSER DIAMETER
I.D.	INSIDE DIAMETER DIAMETRO INTERIOR	DIAMETRO INTERNO DIÁMETRO INTERNO	DIAMETRE INTER. INDVENDIG DIAMETER	INNENDURCHMESSER BINNENDIAMETER
O.D.	OUTSIDE DIAMETER DIAMETRO EXTERIOR	DIAMETRO ESTERNO DIÁMETRO EXTRIOR	DIAMETRE EXTERIEUR UDVENDIG DIAMETER	AUSSENDURCHMESSER BUITENDIAMETER
ACC	ACCESSORY ACCESORIO	ACCESSORIO ACESSORIO	ACCESSOIRE TILBEHØR	ZUBEHÖR TOEBEHOREN
OPT	OPTION OPCIONES	ALTERNATIVA OPÇIONAL	FACULTATIF ALTERNATIV	WAHLWEISE OPTIE
P.T.O.	POWER TAKE-OFF TOMA DE FUERZA	PRESA DI FORZA TOMADA DE FORÇA	PRISE DE FORCE KRAFTUDTAG	ZAPFWELLE AFTAKAS
T or Z=	TEETH DIENTES	DENTI DENTES	DENTS TÆNDER	ZÄHNE TANDEN
L	LENGTH LARGO	LUNGHEZZA COMPRIMENTO	LONG LÆNGDE	LÄNGE LÆNGTE
FRONT	FRONT DELANTERO	ANTERIORE DIANTEIRO	AVANT FORAN	VORN VOORAAN
REAR	REAR TRASERO	POSTERIORE TRASEIRO	ARRIERE BAG	HINTERE ACHTERAAN
LOWER	LOWER BAJAR	INFERIORE INFERIOR	INFERIEUR NEDRE	UNTERE ONDER
UPPER	UPPER DE ARRIBA	SUPERIORE SUPERIOR	SUPERIEUR ØVRE	OBERE BOVEN
H.F.	HARD FACE TEMPRA	TEMPRA TO TEMPERADO	TEMPRE HÆRDED	GEHÄRT VERHARD
WITH or W/	WITH CON	CON COM	AVEC MED	MIT MET
WITHOUT or L/	WITHOUT SIN	SENZA SEM	SANS UDEN	OHNE ZONDER
NA	NORTH AMERICA NORTE AMÉRICA	NORD AMERICA AMÉRICA DO NORTE	ETATS-UNIS DU NORD NORDAMERIKA	NORD-AMERIKA NOORD-AMERIKA
NLS	NO LONGER SERVICED YA NO SE SUMINISTRA	NON PIU' DISPONIBILE A RICAMBIO NÃO MAIS DISPONÍVEL EM SERVIÇO	PLUS DISPO.EN SERVICE SERVICERES IKKE MERE	NICHT MEHR ERHÄLTlich NIET LANGER GELEVERD
PL	PROCURE LOCALLY ADQUIRIR EN PLAZA	DA PROCURARE IN LOCO PROCURA LOCAL	PROCURER LOCALEMENT FREMSKAFES LOKALT	ÖRTlich ZU BESCHAFFEN LOKAAL AANKOPEN
OW	ORDER THROUGH WHOLEGOODS PEDIR COMO MERCANCÍA GENERAL	ORDINARE TRAMITE MAGAZZINO ENCOMENDA POR MERCADORIAS	COMMANDER EN FOURNITURE BESTIL GENNEM MASKINSALG	BEI ZUBEHÖR.LOg.ZU BESTELLEN BESTELLEN ALS STUKGOED
OC	ORDER COMPONENTS PEDIR COMPONENTES	ORDINARE COMPONENTI ENCOMENDA DE COMPONENTES	COMMANDER COMPOSANTS BESTIL KOMPONENTER	BESTELLPOSTEN COMPONENTEN BESTELLEN

Ref	Part Number	Qty	Description
<p>WWW.KORMO.BY</p>			

CONVERSION CHART (INC-MM) TABELLA DI CONVERSIONE (POLLICI-MM) TABLE DE CONVERSION (INCH-MM) UMRECHNUNGSTABELLE (INCH-MM)				TABLA DE CONVERSIÓN (PULG-MM) TABELA DE CONVERSÃO (POL.-MM) KONVERTERINGSKORT (INC-MM) CONVERSIETABEL (INCH-MM)							
Inch Fractions and Decimals to Millimeter Equivalents Le frazioni e i decimali del pollice equivalgono al millimetri Les tractions et les décimales du pouce équivalent aux millimètres Die Zollbruchteile und Zolldezimalen den Millimetern entsprechen				Las fracciones y los decimales de la pulgada equivalen a los milímetros As frações e os decimais de polegada equivalem a milímetros Brøkerne og decimalerne for tommer svarer til millimeter Het equivalent tussen de breuken en de decimalen van een duim naar millimeters							
INCHES		MM	INCHES		MM	INCHES		MM	INCHES		MM
Fraction	Decimal		Fraction	Decimal		Fraction	Decimal		Fraction	Decimal	
-	.0004	.10	-	.3	7.620	-	.7874	20	-	1.969	50
-	.001	.025	5/16	.3125	7.938	51/64	.7969	20.241	2	2.000	50.8
-	.0039	.10	-	.3150	8	13/64	.8125	20.638	2-1/8	2.125	54
-	.005	.127	21/64	.3281	8.334	-	.8268	21	-	2.165	56
-	.0079	.2	-	.3346	8.5	53/64	.8281	21.034	2-1/4	2.250	57.2
-	.0098	.25	11/32	.3438	8.731	27/32	.8438	21.431	-	2.362	60
-	.01	.254	-	.3543	9	55/64	.8594	21.828	2-3/8	2.375	60.3
-	.0118	.3	23/64	.3594	9.128	-	.8662	22	2-1/2	2.500	63.5
1/64	.0156	.397	-	.3740	9.5	7/8	.8750	22.225	-	2.559	66
-	.0157	.4	3/8	.375	9.526	57/64	.8906	22.622	2-5/8	2.625	66.7
-	.0197	.5	25/64	.3908	9.922	-	.9	22.860	2-3/4	2.750	69.9
-	.0236	.6	-	.3937	10	-	.9055	23	-	2.756	70
-	.025	.635	-	.4	10.160	29/32	.9063	23.019	2-7/8	2.850	73
-	.0276	.7	13/32	.4062	10.319	59/64	.9219	23.416	-	2.953	75
-	.0295	.75	-	.4134	10.5	15/16	.9375	23.813	3	3.000	76.2
1/32	.0313	.794	27/64	.4219	10.716	-	.9449	14	-	3.150	80
-	.0315	.8	-	.4331	11	61/64	.9531	24.209	3-1/4	3.250	82.6
-	.0354	.9	7/16	.4375	11.113	31/32	.9688	24.608	-	3.346	85
-	.0394	1	29/64	.4531	11.509	-	.9843	25	3-1/2	3.500	88.9
3/64	.0469	1.191	15/32	.4688	11.906	1	1.000	25.400	-	3.543	90
-	.0472	1.2	-	.4724	12	-	1.024	26	-	3.740	95
-	.05	1.270	31/64	.4844	12.303	1-1/16	1.062	26.988	3-3/4	3.750	95.3
-	.0551	1.4	-	.4921	12.5	-	1.063	27	-	3.937	100
-	.0591	1.5	1/2	.5	12.700	-	1.102	28	4	4.000	101.6
1/16	.0625	1.588	-	.5118	13	1-1/8	1.125	28.575	-	4.331	110
-	.0669	1.7	33/64	.5156	13.097	-	1.142	29	4-1/2	4.500	114.3
-	.075	1.905	17/32	.5326	13.494	-	1.181	30	-	4.724	120
5/64	.0781	1.984	-	.5315	13.5	1-3/16	1.188	30.16	5	5.000	127
-	.0787	2	35/64	.5469	13.891	-	1.221	31	-	5.118	130
-	.0906	2.3	-	.5512	14	1-1/4	1.250	31.75	5-1/2	5.500	139.7
3/32	.0938	2.381	9/16	.5625	14.288	-	1.260	32	-	5.512	140
-	.0984	2.5	-	.571	14.5	-	1.299	33	-	5.906	150
-	.1	2.540	37/64	.5781	14.684	1-5/16	1.312	33.34	6	6.000	152.4
-	.1024	2.6	-	.5906	15	-	1.339	34	-	6.299	160
7/64	.1093	2.776	19/32	.5938	15.081	1-3/8	1.375	34.93	6-1/2	6.500	165.1
-	.1181	3	-	.6	15.240	-	1.378	35	7	7.000	177.8
1/8	.125	3.175	39/64	.6094	15.478	-	1.417	36	-	7.087	180
-	.1378	3.5	-	.6103	15.5	1-7/16	1.438	36.51	7-1/2	7.500	190.5
9/64	.1406	3.572	5/8	.6250	15.875	-	1.457	37	-	7.874	200
5/32	.1563	3.969	-	.6299	16	-	1.496	38	8	8.000	203.2
-	.1575	4	41/64	.6406	16.272	1-1/2	1.500	38.10	8-1/2	8.500	215.8
11/64	.1719	4.366	-	.6496	16.5	-	1.535	39	-	8.661	220
-	.1772	4.5	21/32	.6563	16.669	1-9/16	1.562	39.69	9	9.000	228.6
3/16	.1875	4.763	-	.6693	17	-	1.575	40	-	9.449	240
-	.1969	5	43/64	.6719	17.066	-	1.614	41	9-1/2	9.500	241.3
-	.2	5.080	11/16	.6875	17.463	1-5/8	1.625	41.28	-	9.843	250
13/64	.2031	5.169	-	.6890	17.5	-	1.6544	42	10	10.000	254
-	.2165	5.5	-	.7	17.780	1-11/16	1.688	42.86	-	10.236	260
7/32	.2188	5.558	45/64	.7031	17.859	-	1.693	43	11	10.300	279.4
15/64	.2344	5.953	-	.7087	18	-	1.732	44	-	11.024	280
-	.2362	6	23/32	.7188	18.256	1-3/4	1.750	44.45	-	11.811	300
1/4	.25	6.360	-	.7283	18.5	-	1.772	45	12	12.000	304.8
-	.2559	6.5	47/64	.7344	18.653	-	1.811	46	13	13.000	330.2
17/64	.2656	6.747	-	.7480	19	1-13/46	1.813	46.04	-	13.780	350
-	.2756	7	3/4	.75	19.050	-	1.850	47	14	14.000	355.6
9/32	.2813	7.144	49/64	.7656	19.447	1-7/8	1.875	47.63	15	15.000	381
-	.2953	7.5	-	.7677	19.5	-	1.890	48	-	15.748	400
19/64	.2969	7.541	25/32	.7813	19.844	-	1.929	49	16	16.000	408.4

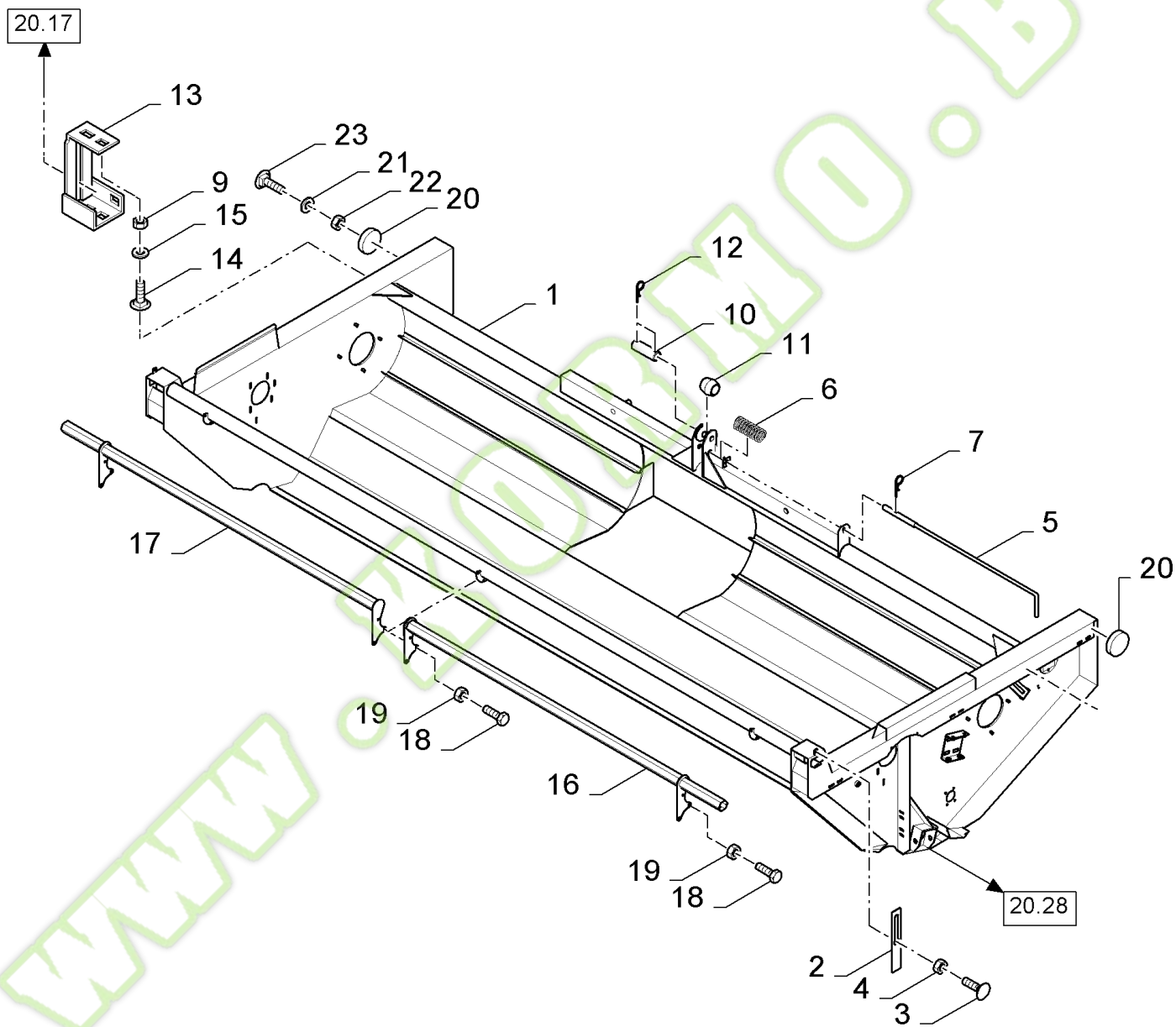
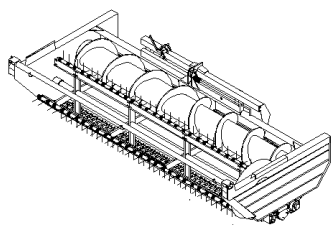
Ref	Part Number	Qty	Description
<p>WWW.KORMO.BY</p>			

SEC. 20



Ref	Part Number	Qty	Description
<p>WWW.KORMO.BY</p>			

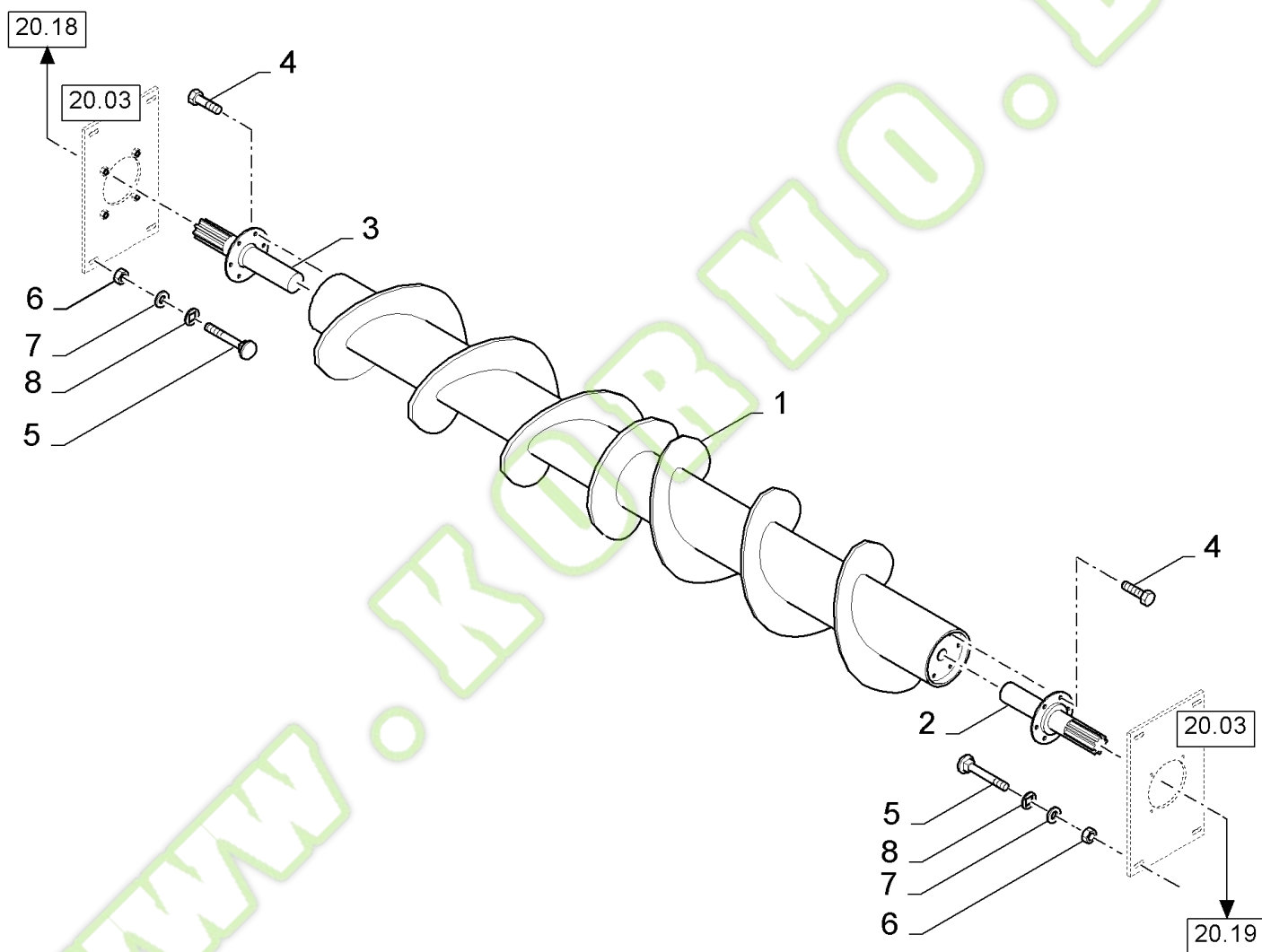
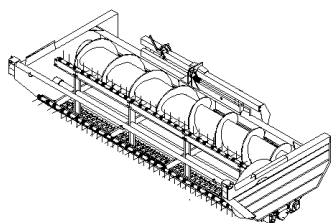
20.01(01) FRAME



20.01(01) FRAME

Ref	Part Number	Qty	Description
1	84818699	1	FRAME,
2	84818701	4	PLATE,
3	07753092	4	SCREW, {PP:84429686} M8x20
4	825-1408	4	NUT, {PP:84429614} M8, CI 8, M8
5	84818700	1	ROD,
6	06710067	1	SPRING, {PP:84429688}
7	84429689	1	PIN, SPLIT (COTTER),
9	84429619	4	NUT, M16
10	84429690	1	BOLT,
11	84818706	1	BUSHING,
12	06402755	2	PIN, SPLIT (COTTER), {PP:84429692}
13	84818697	1	HOLDER,
14	07750602	4	SCREW, {PP:84818832} M16x40
15	06577093	4	WASHER, LOCK, {PP:84429695} 16MM
16	84818702	1	TUBE, SUPPORT, LH
17	84818703	1	TUBE, SUPPORT, RH
18	614-12030	6	BOLT, {PP:80412700} Hex, M12 x 30, 8.8, M12x30
19	825-1412	6	NUT, {PP:84429616} M12, CI 8, M12
20	84818803	2	BUFFER, RUBBER,
21	84818893	2	WASHER, 6.4MM
22	832-10406	2	NUT, {PP:84819268} M6 x 1, CI 8, M6
23	84818802	2	SCREW, M6x35

20.02(01) FEED AUGER

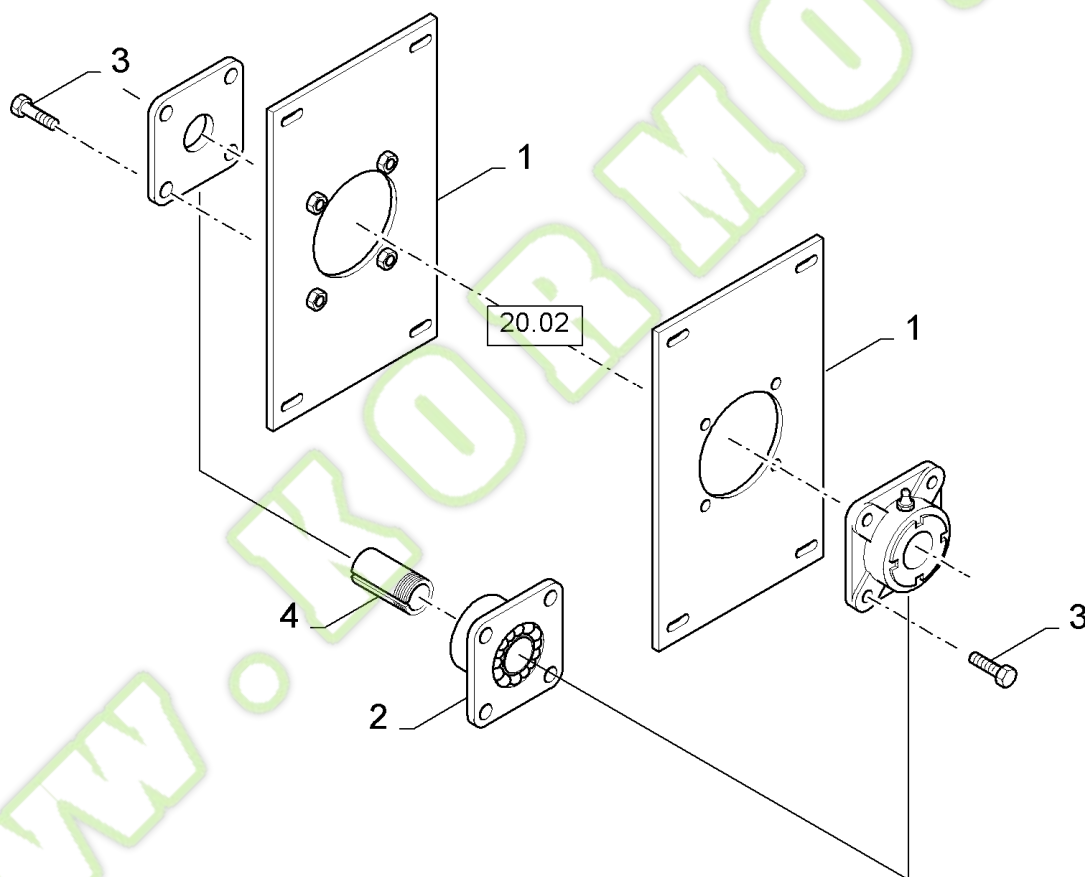
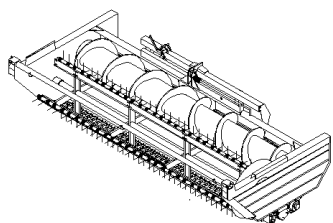


20.02(01) FEED AUGER

Ref	Part Number	Qty	Description
1	31227570	1	AUGER, {PP:84818691}
2	31014212	1	SHAFT, {PP:84429486} LH
3	31014253	1	SHAFT, {PP:84429487} RH
4	300388	12	SCREW, {PP:80300388} Hex, M12 x 25, 8.8, M12x25
5	335890	8	BOLT, {PP:80335890} Short NK, M12 x 30, Cl8.8, Full Thd, M12x30
6	825-1412	8	NUT, {PP:84429616} M12, Cl 8, M12
7	9511052	8	WASHER, {PP:89511052} M12 x 44 x 4, 13.5MM
8	06502896	8	WASHER, {PP:84429410} 14MM

WWW.KORMO.BY

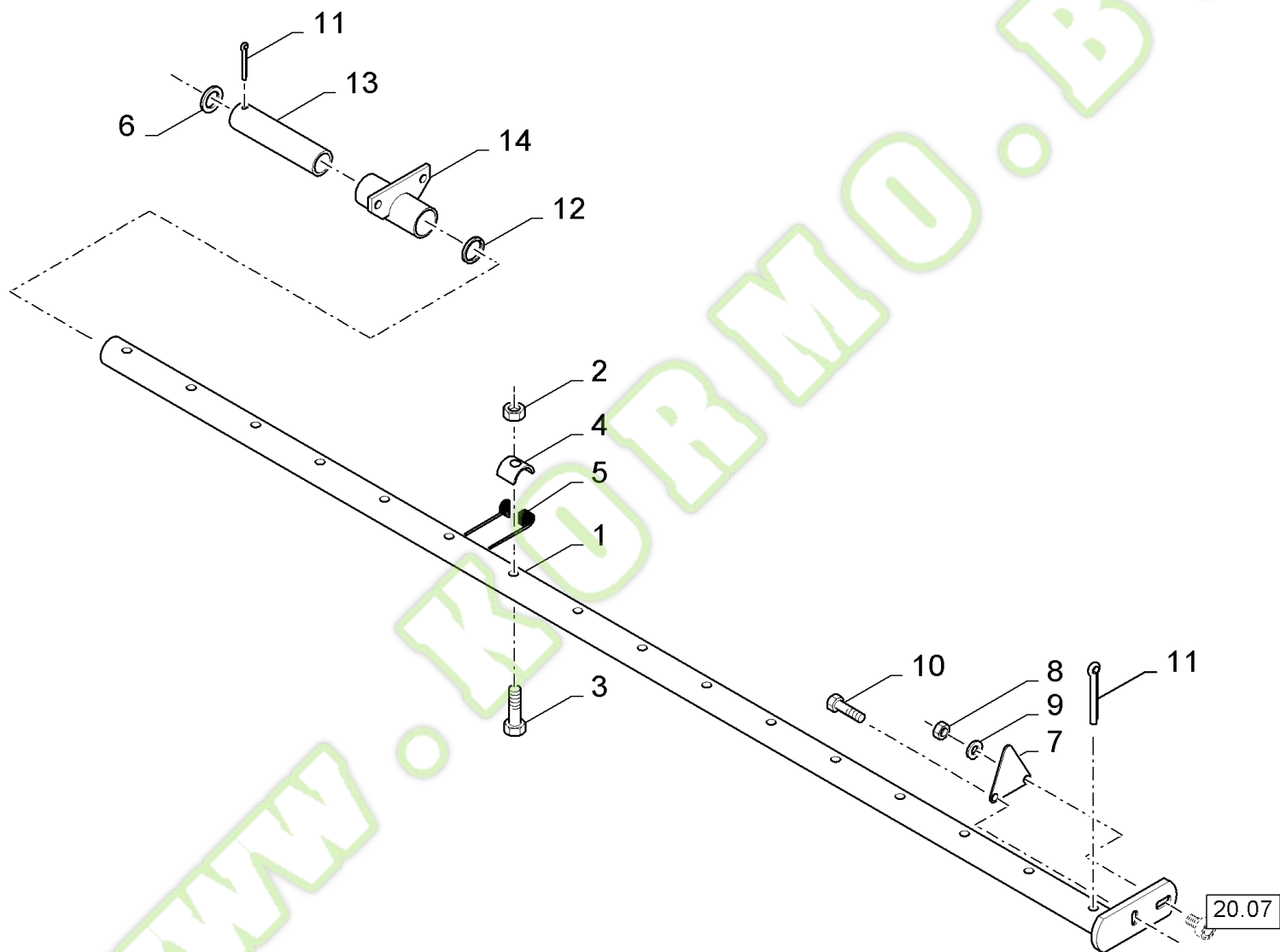
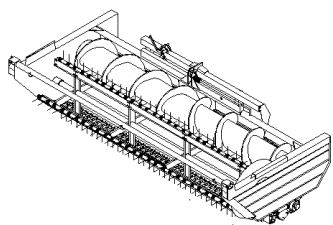
20.03(01) BEARING



20.03(01) BEARING

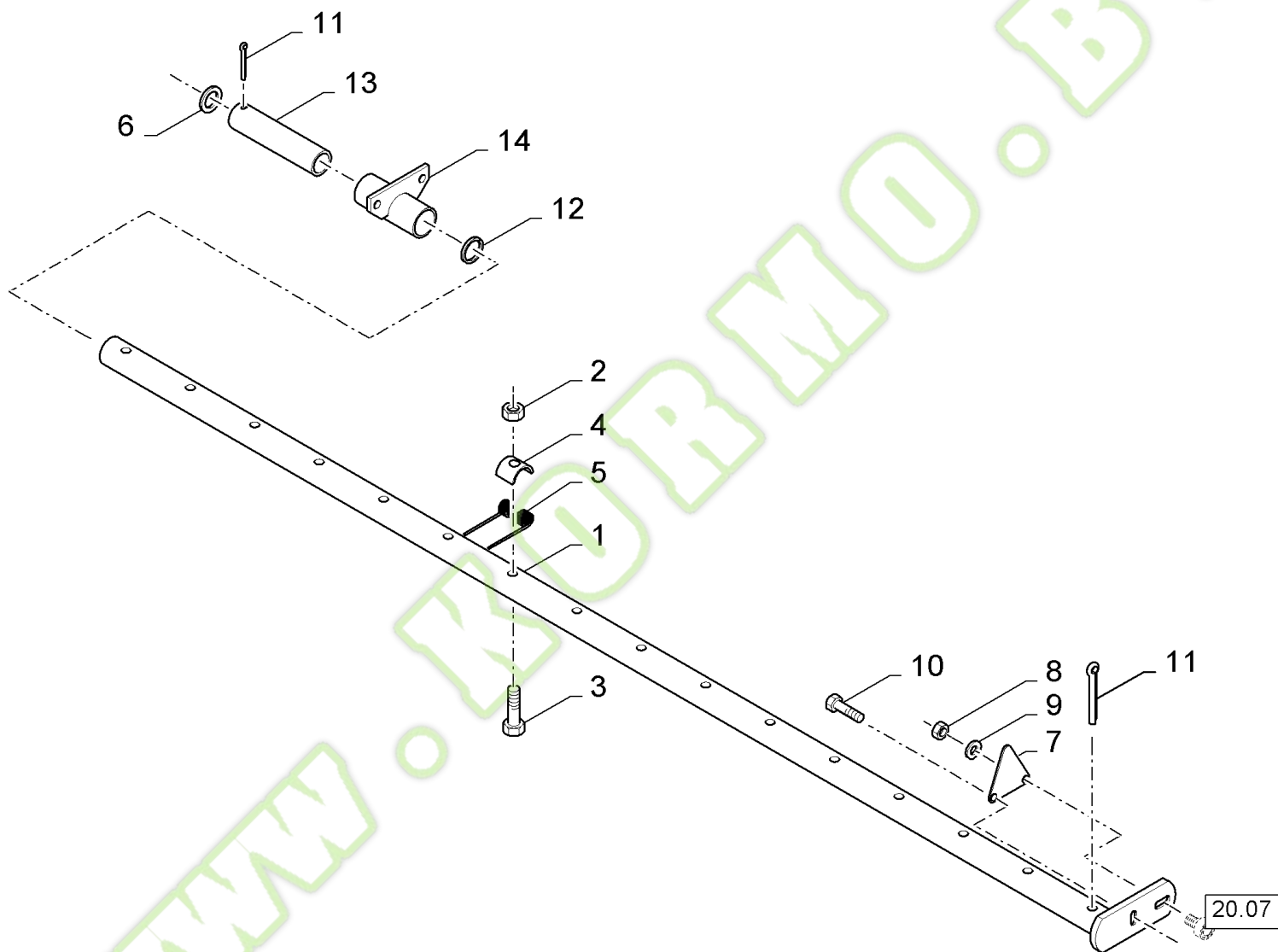
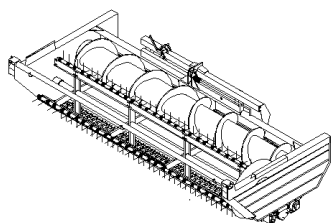
Ref	Part Number	Qty	Description
1	31014317	2	PLATE, PIVOT, {PP:84429488}
2	03671510	2	BEARING ASSY, {PP:84429372}
3	300389	8	SCREW, {PP:80300389} Hex, M12 x 35, 8.8, Full Thd, M12x35
4	03674224	2	SLEEVE, {PP:84429377}

WWW.KORMO.BY



Ref	Part Number	Qty	Description
1	84818679	1	SHAFT,
2	06242023	26	NUT, {PP:84818809} M10
3	412217	26	SCREW, {PP:80412217} Hex, M10 x 55, 8.8, M10x55
4	20677162	26	SHIM, {PP:84429482}
5	06715432	26	TINE, REEL, {PP:84429420}
6	20337626	1	WASHER, {PP:84429479}
7	20337601	1	PLATE, {PP:84429477}
8	84429611	1	NUT, M16
9	895-11016	1	WASHER, {PP:84429624} M16 x 30 x 3, 17MM
10	80300383	1	SCREW, M10x16
11	733-6356	5	PIN, SPLIT (COTTER), {PP:84429603} M6.3 x 56,
12	21427338	1	WASHER, {PP:84429485} 38MM
13	20337618	4	SLEEVE, {PP:84429478}
14	20337634	4	HOLDER, {PP:84429480}

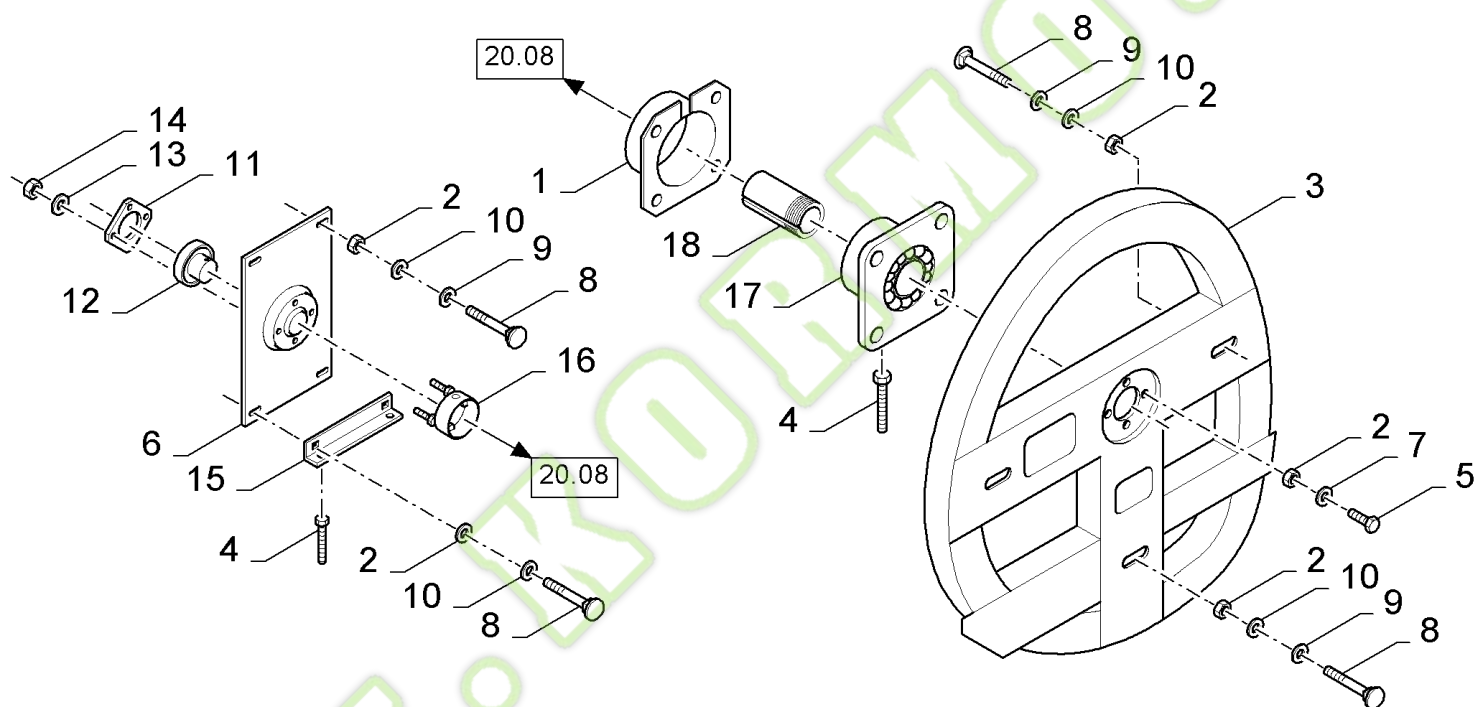
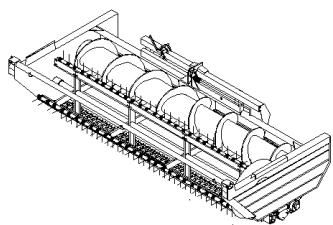
WWW.KORMO.BY



Ref	Part Number	Qty	Description
1	84818680	1	SHAFT,
2	06242023	27	NUT, {PP:84818809} M10
3	412217	27	SCREW, {PP:80412217} Hex, M10 x 55, 8.8, M10x55
4	20677162	27	SHIM, {PP:84429482}
5	06715432	27	TINE, REEL, {PP:84429420}
6	20337626	1	WASHER, {PP:84429479}
7	20337601	1	PLATE, {PP:84429477}
8	84429611	1	NUT, M16
9	895-11016	1	WASHER, {PP:84429624} M16 x 30 x 3, 17MM
10	80300383	1	SCREW, M10x16
11	733-6356	5	PIN, SPLIT (COTTER), {PP:84429603} M6.3 x 56,
12	21427338	1	WASHER, {PP:84429485}
13	20337618	4	SLEEVE, {PP:84429478}
14	20337634	4	HOLDER, {PP:84429480}

WWW.KORMO.BY

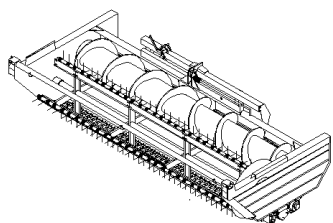
20.06(01) REEL DRIVE



20.06(01) REEL DRIVE

Ref	Part Number	Qty	Description
1	31017071	1	COVER, {PP:84429508}
2	825-1412	11	NUT, {PP:84429616} M12, CI 8, M12
3	31018193	1	CAM, {PP:84429509}
4	538885	4	SCREW, {PP:80538885} Hex, M10 x 90, 8.8, Full Thd, M10x90
5	300389	4	SCREW, {PP:80300389} Hex, M12 x 35, 8.8, Full Thd, M12x35
6	20302134	1	PLATE, ROLLER THRUST, {PP:84429461}
7	895-11012	4	WASHER, {PP:84429623} M12 x 24 x 2.5, 13MM
8	335890	7	BOLT, {PP:80335890} Short NK, M12 x 30, CI8.8, Full Thd, M12x30
9	06502896	5	WASHER, {PP:84429410} 14MM
10	9511052	7	WASHER, {PP:89511052} M12 x 44 x 4, 13.5MM
11	20302126	1	HOUSING, BEARING, {PP:84429460}
12	03672046	1	BEARING ASSY, {PP:84429375}
13	895-11010	4	WASHER, {PP:84429622} M10 x 20 x 2, 10.5MM
14	84429618	4	NUT, M10
15	20304072	1	ANGLE, {PP:84429470}
16	20337835	1	COVER, {PP:84429481}
17	03671510	1	BEARING ASSY, {PP:84429372}
18	03674224	1	SLEEVE, {PP:84429377}

20.07(01) GUIDE ROLLER



20.05
20.04

2

12

9

5

6

7

8

11

10

4

3

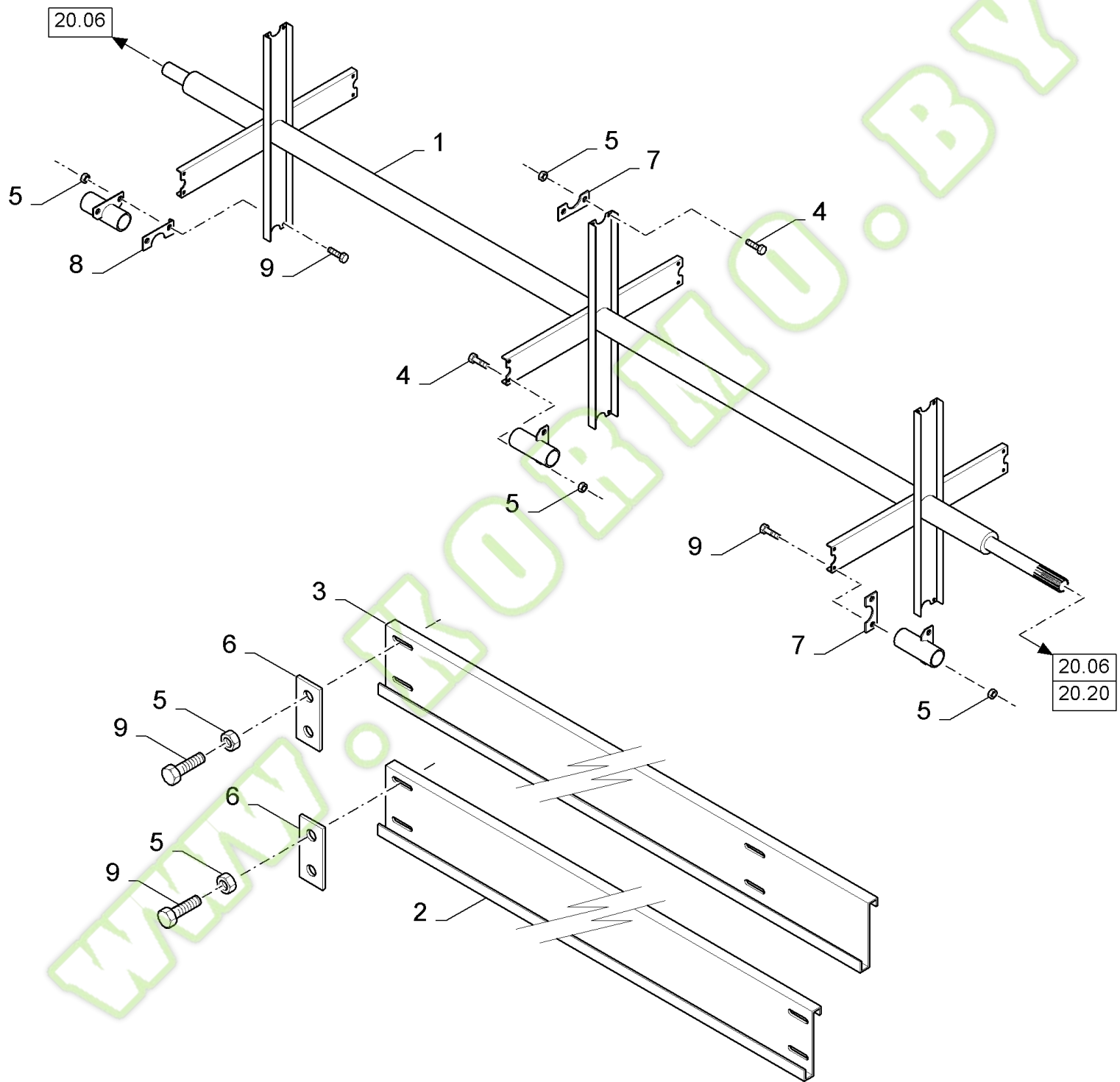
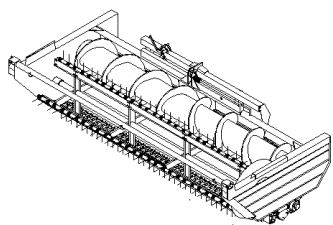
1



20.07(01) GUIDE ROLLER

Ref	Part Number	Qty	Description
1	31014655	2	ROLLER, {PP:84429491} (2 to12)
2	03617056	2	NIPPLE, LUBE, {PP:84429362}
3	300644	2	CIRCLIP, {PP:80300644}
4	31014696	2	CAP, {PP:84429495}
5	31014671	2	ROLLER, {PP:84429493}
6	03651917	2	BEARING ASSY, {PP:84429366}
7	06609205	2	SHIM, {PP:84429413}
8	03648552	2	BEARING ASSY, {PP:84429363}
9	31014688	2	SEAL, {PP:84429494}
10	01132416	2	O-RING, {PP:84429348}
11	800-1117	2	SNAP RING, {PP:84429604}
12	31014663	2	BOLT, {PP:84429492}

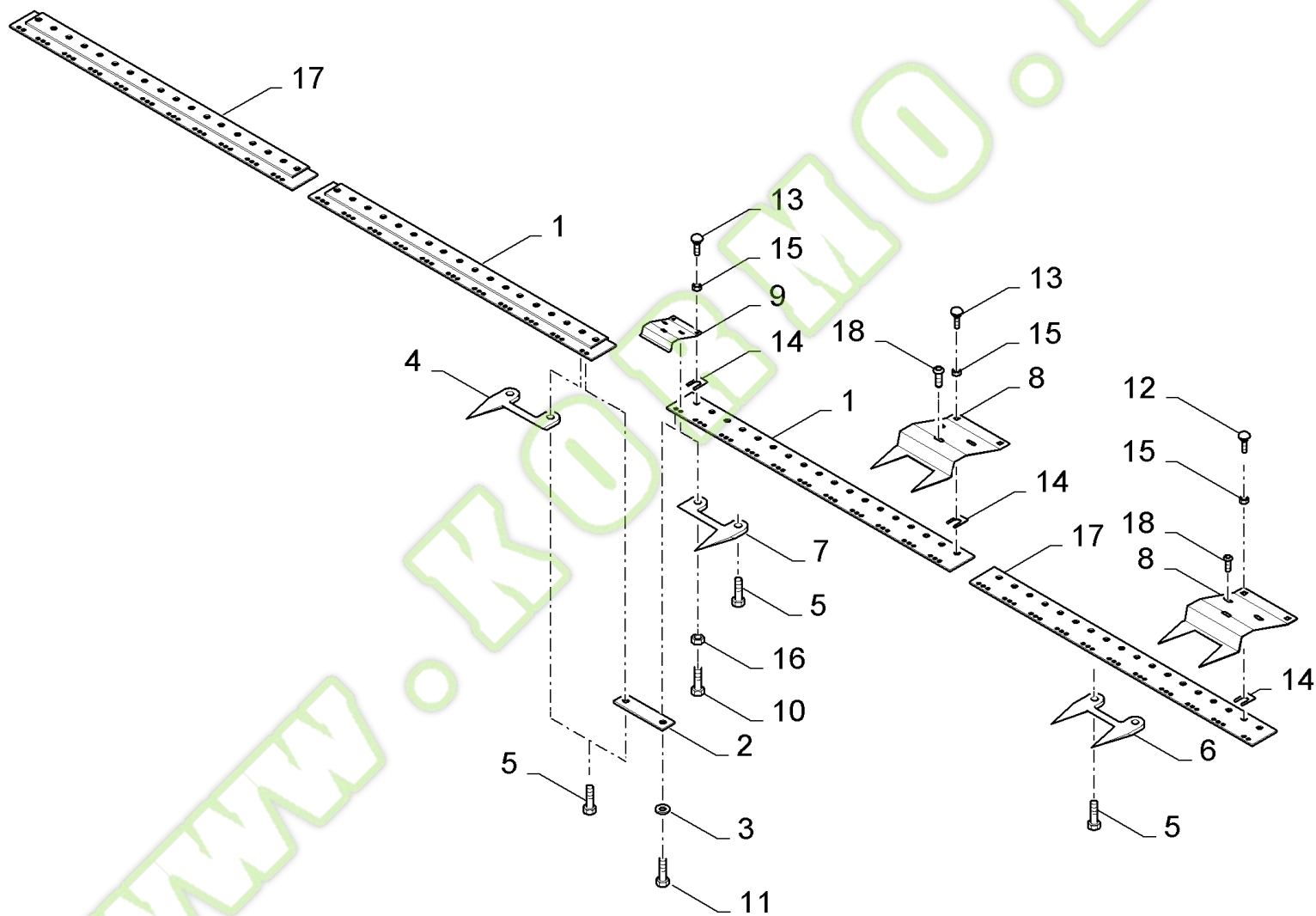
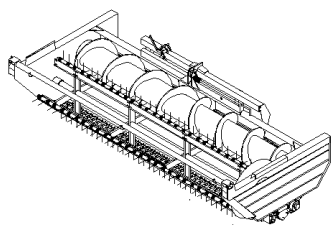
WWW.KORMO.BY



Ref	Part Number	Qty	Description
1	31019338	1	SUPPORT, {PP:84429514}
2	84818678	8	DEFLECTOR,
3	84818677	4	DEFLECTOR,
4	80412116	16	BOLT, M8x16
5	06116155	64	NUT, {PP:84429397} M8
6	20302175	16	PLATE, {PP:84429462}
7	31014848	2	SHIM, {PP:84429496}
8	31014856	6	ANGLE, {PP:84429497}
9	80412117	48	SCREW, M8x20

WWW.KORMO.BY

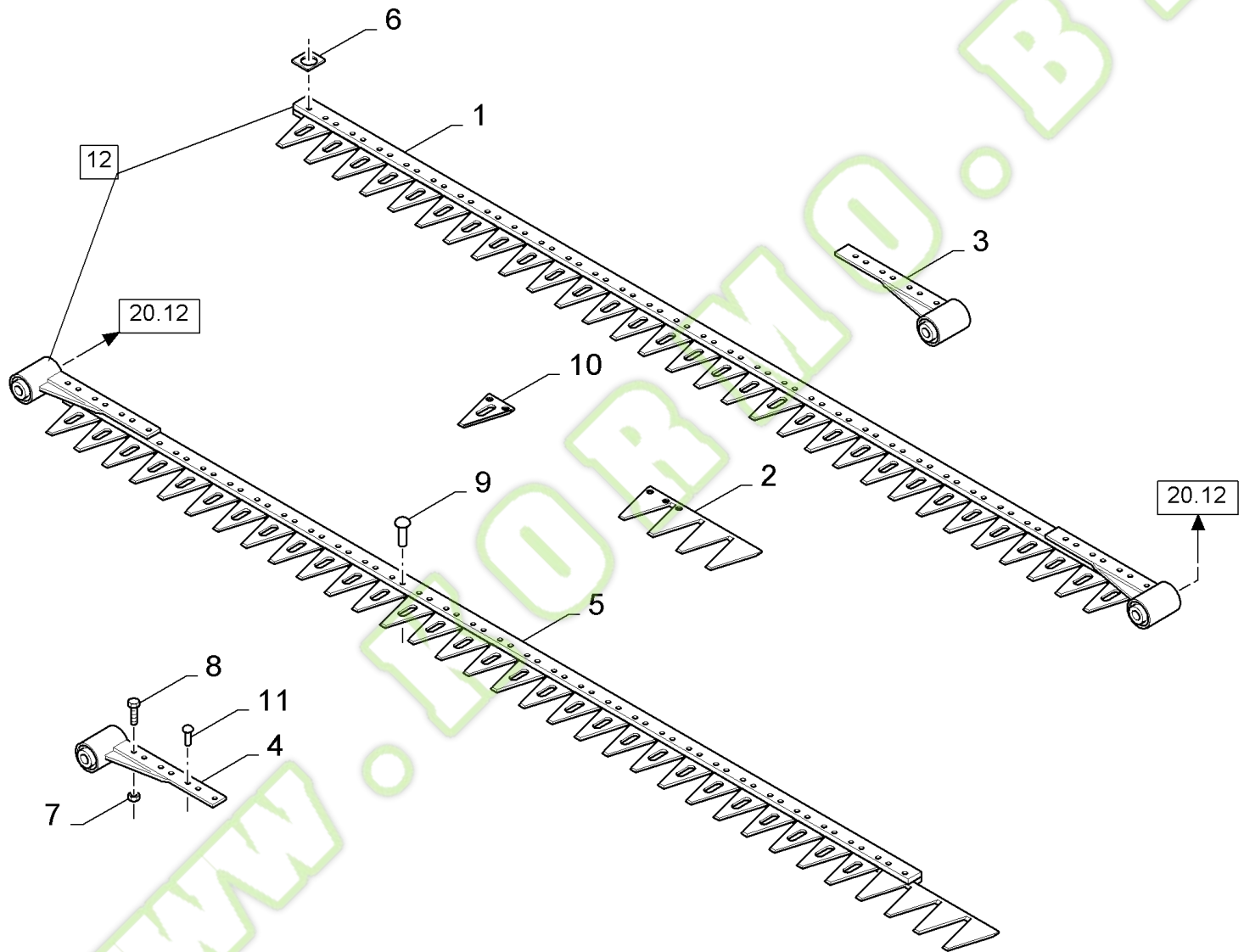
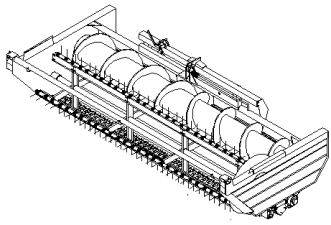
20.09(01) KNIFE, FINGER BAR



20.09(01) KNIFE, FINGER BAR

Ref	Part Number	Qty	Description
1	31018634	2	RAIL, CENTRAL, {PP:84429510} MULCHF.
2	03009147	1	PLATE, {PP:84429358}
3	06625463	4	WASHER, {PP:84429414}
4	03009122	1	FINGER, {PP:84429357} RH
5	80300383	67	SCREW, M10x16
6	03009106	32	FINGER, {PP:84429355}
7	03009114	1	FINGER, {PP:84429356} LH
8	31014366	32	KNIFE HOLDER, {PP:84429489}
9	31014374	1	KNIFE HOLDER, {PP:84429490}
10	9706704	2	BOLT, {PP:89706704} Hex, M10 x 35, 8.8, Full Thd, M10x35
11	80300511	1	BOLT, M10x20
12	711-10040	16	BOLT, {PP:84818877} Short NK, M10 x 40, CI8.8, Full Thd, M10x40
13	97001848	50	SCREW, {PP:84429517} M10x35
14	31065013	34	WASHER, {PP:84818705}
15	84429617	66	NUT, M10
16	934300R1	2	NUT, {PP:84429620} Thin, M10 x 1.5, CI 04, M10
17	84429511	2	RAIL, SIDE,
18	84818804	32	SCREW, M10x25

20.10(01) KNIFE

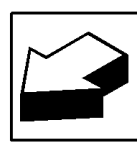
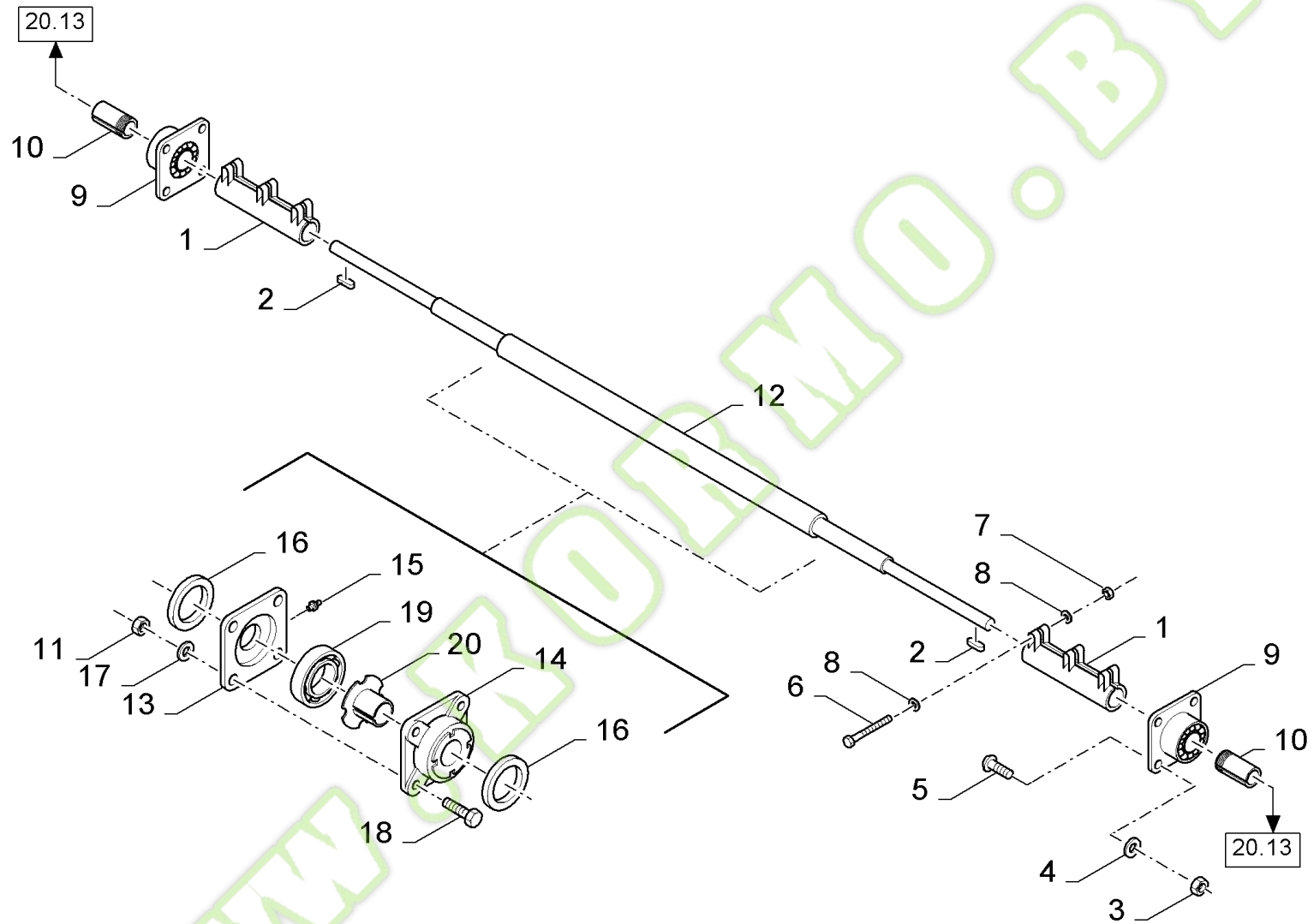
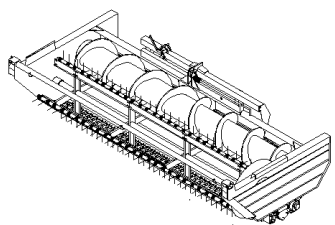


20.10(01) KNIFE

Ref	Part Number	Qty	Description
1	31018747	1	CUTTING BLADE, {PP:84818795} LH
2	31015463	1	KNIFE, {PP:84429500}
3	31015414	1	KNIFE HEAD, {PP:84429499} LH
4	31015471	1	KNIFE HEAD, {PP:84429501}
5	31018763	1	CUTTING BLADE, {PP:84818796} RH
6	31015383	1	CLIP, KNIFE, {PP:84429498}
7	84818886	2	NUT, M6
8	86977786	2	BOLT, Hex, M6 x 25, 8.8, M6x25
9	06416205	118	RIVET, {PP:84807908} 6x12
10	31015391	66	KNIFE SECTION, {PP:84818787}
11	06422228	16	RIVET, {PP:84807907} 6x16
12	84400928	1	KNIFE SET, (1,5)

WWW.KORMO.BY

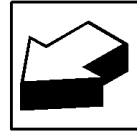
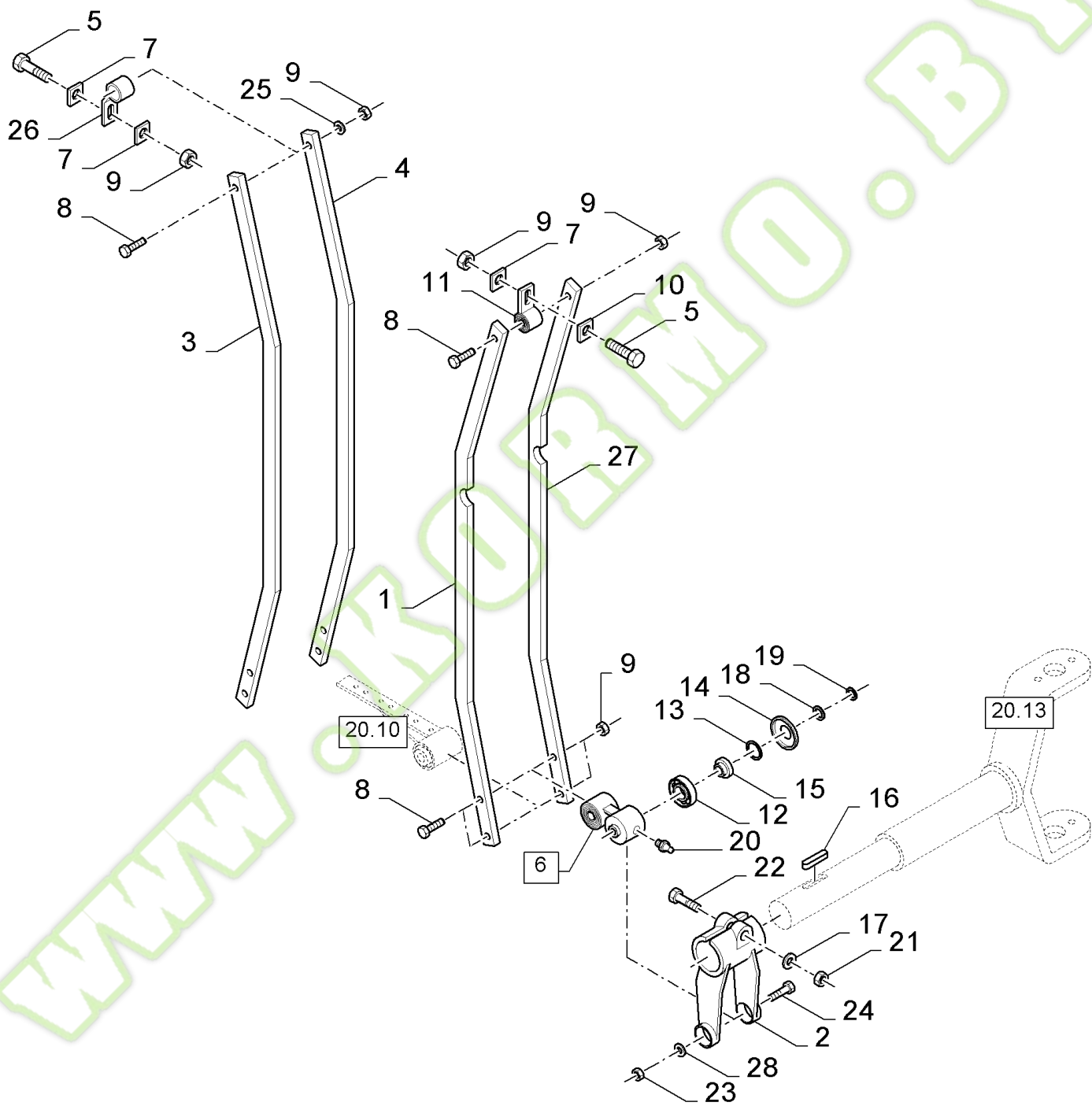
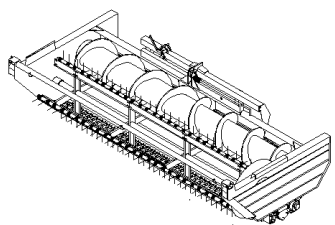
20.11(01) KNIFE, DRIVE SHAFT



20.11(01) KNIFE, DRIVE SHAFT

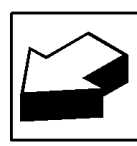
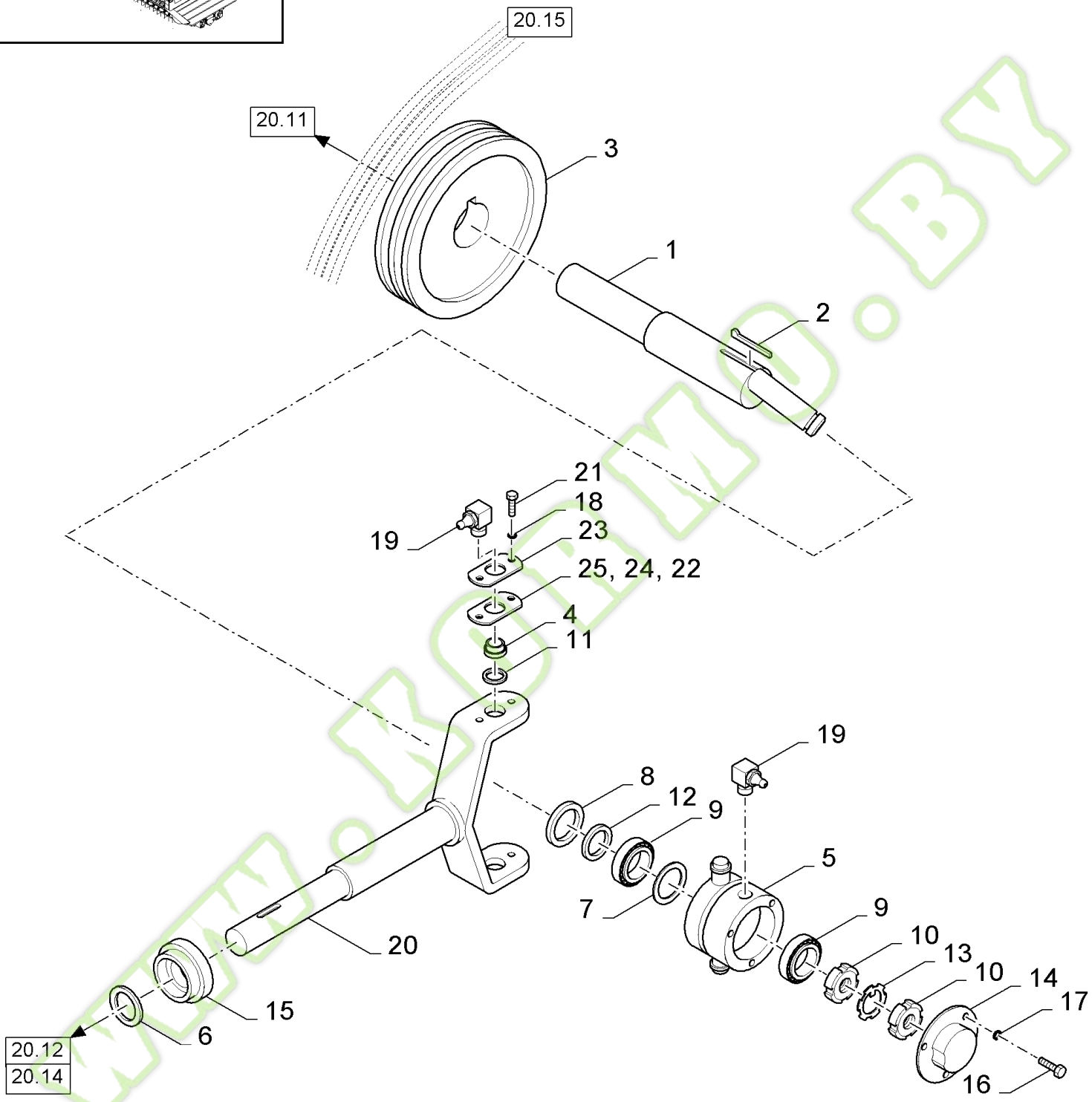
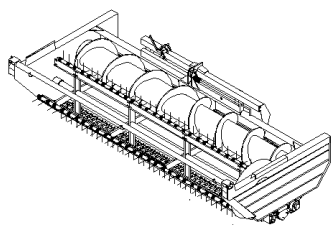
Ref	Part Number	Qty	Description
1	20304458	2	CLUTCH, {PP:84429473}
2	03501576	4	KEY, BUCKET TOOTHRT, {PP:80170057}
3	825-11414	8	NUT, {PP:84429610} M14 x 1.5, CI 8, M14
4	84818821	8	WASHER, SPECIAL, 14MM
5	06372772	8	BOLT, {PP:84429406} M14x40
6	43158	6	SCREW, {PP:80043158} Hex, M12 x 80, 8.8, M12x80
7	84818888	6	NUT, M12
8	895-11012	12	WASHER, {PP:84429623} M12 x 24 x 2.5, 13MM
9	03671510	2	BEARING ASSY, {PP:84429372}
10	03674224	2	SLEEVE, {PP:84429377}
11	84429618	8	NUT, M10
12	20910357	1	SHAFT, {PP:84429483}
13	31016087	2	HOUSING, BEARING, {PP:84429507}
14	20304417	2	HOUSING, BEARING, {PP:84429472}
15	03617056	2	NIPPLE, LUBE, {PP:84429362}
16	162741	4	ELEMENT, SEALING, {PP:80162741}
17	84818816	8	WASHER, SPECIAL, 10MM
18	80412253	8	BOLT, M10x50
19	03659893	2	BEARING, BALL, {PP:84429367}
20	03674216	2	SLEEVE, {PP:84429376}

20.12(01) KNIFE DRIVE, ROCKER



Ref	Part Number	Qty	Description
1	31016021	1	LEVER, {PP:84429502}
2	20337257	2	YOKE, {PP:84429474}
3	20304007	1	LEVER, {PP:84429469} RH
4	20303996	1	LEVER, {PP:84429468} LH
5	06377986	2	SCREW, {PP:84429407} M16x55
6	20303047	2	BEARING ASSY, {PP:84429464} (12,13)
7	122432	3	WASHER, {PP:80122432} 17MM
8	06366516	6	BOLT, {PP:84429405} M16x120
9	84429611	8	NUT, M16
10	20304345	1	WASHER, {PP:84429471}
11	20303891	1	BUSHING, RUBBER, {PP:84429466} LH
12	03661236	2	BEARING, BALL, {PP:84429368}
13	01119347	4	SEAL, {PP:80394994}
14	20337265	4	CAP, {PP:84429475}
15	20337273	4	SLEEVE, {PP:84429476}
16	320607	2	KEY, {PP:80320607}
17	06577011	2	PLATE, LOCKING, {PP:84429714} 12MM
18	20302407	4	SEAL, {PP:84429463}
19	20303088	4	WASHER, {PP:84429465}
20	03617056	2	NIPPLE, LUBE, {PP:84429362}
21	84818888	2	NUT, M12
22	350460	2	SCREW, {PP:80350460} Hex, M12 x 75, 8.8, M12x75
23	84429619	2	NUT, M16
24	06044155	2	SCREW, {PP:84036080} M16x110
25	06455943	1	WASHER, LOCK, {PP:12034871} 16MM
26	20303963	1	BUSHING, RUBBER, {PP:84429467} RH
27	31016038	1	LEVER, {PP:84429503}
28	06577093	2	WASHER, LOCK, {PP:84429695} 16MM

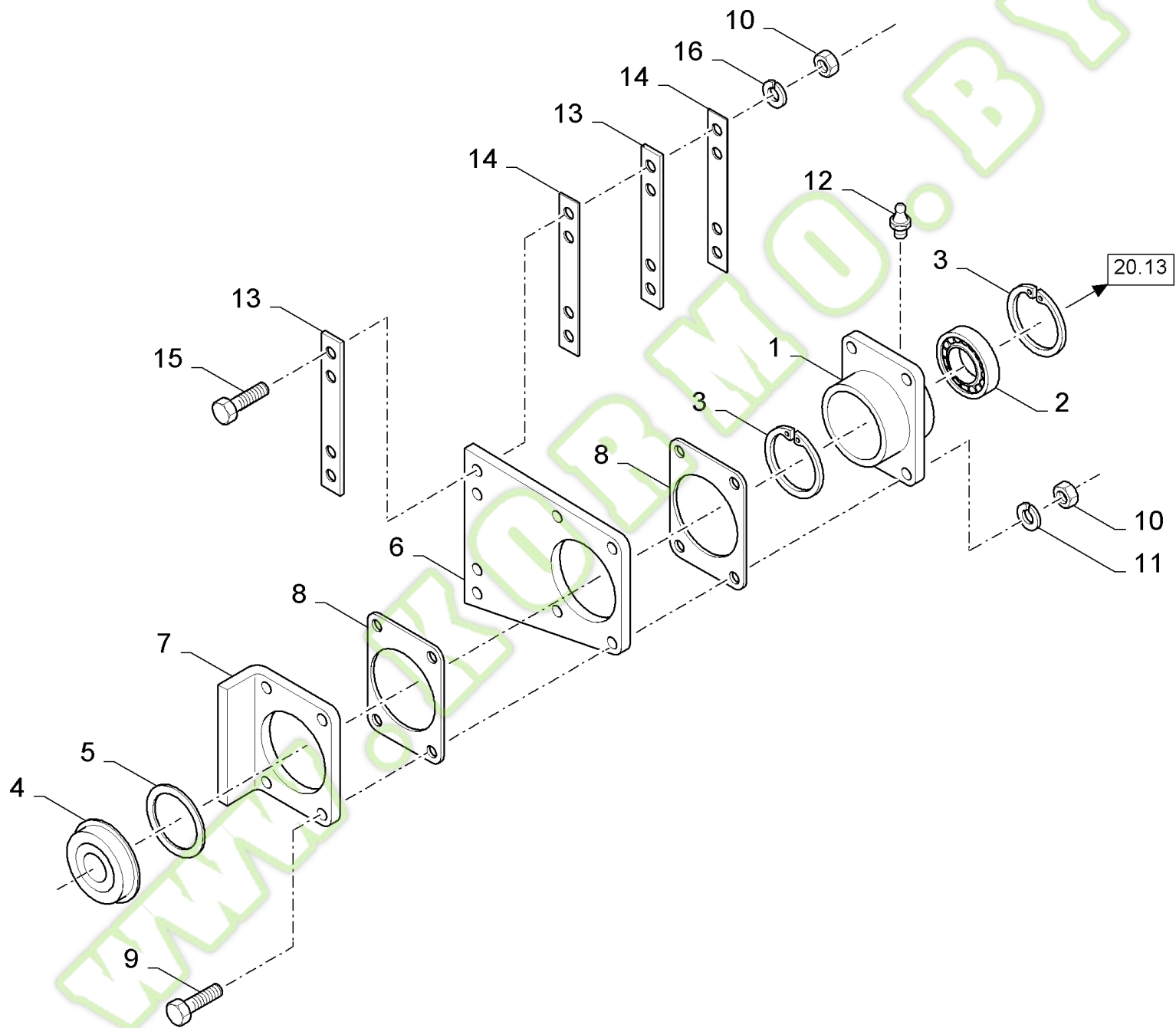
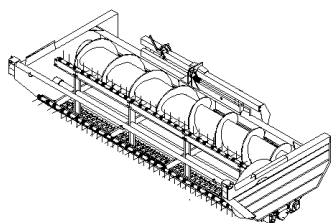
20.13(01) KNIFE DRIVE



20.13(01) KNIFE DRIVE

Ref	Part Number	Qty	Description
1	20304554	2	FORK, {PP:84429538}
2	29504014	1	KEY, {PP:84429575}
3	84818684	1	GROOVED PULLEY,
4	03670655	4	BEARING, ROLLER, TAPERED, {PP:84429370}
5	31016118	2	HOUSING, {PP:84429578}
6	01119347	2	SEAL, {PP:80394994}
7	20302833	6	SHIM, {PP:84429524}
8	01121237	2	ELEMENT, SEALING, {PP:84429347}
9	03670936	4	BEARING, ROLLER, TAPERED, {PP:84429371}
10	06229581	4	NUT, {PP:84429401} M40
11	378273	4	RING, {PP:80378273}
12	31016126	2	SPACER, {PP:84429579}
13	06470001	2	PLATE, LOCKING, {PP:84429409}
14	20302704	2	CAP, {PP:84429521}
15	21424616	2	CAP, {PP:84429570}
16	10974420	8	SCREW, M6x12
17	84818818	8	WASHER, SPECIAL, 6MM
18	06454901	8	WASHER, LOCK, {PP:12034671} 10MM
19	84818792	6	NIPPLE, LUBE,
20	20304570	2	FORK, {PP:84429539}
21	43139	8	SCREW, {PP:80043139} Hex, M10 x 25, 8.8, Full Thd, M10x25
22	20302841	4	SHIM, {PP:84429525}
23	84429580	4	PLATE,
24	84429523	6	SHIM,
25	20302745	6	SHIM, {PP:84429522}

20.14(01) KNIFE DRIVE, FORK SHAFT BEARING

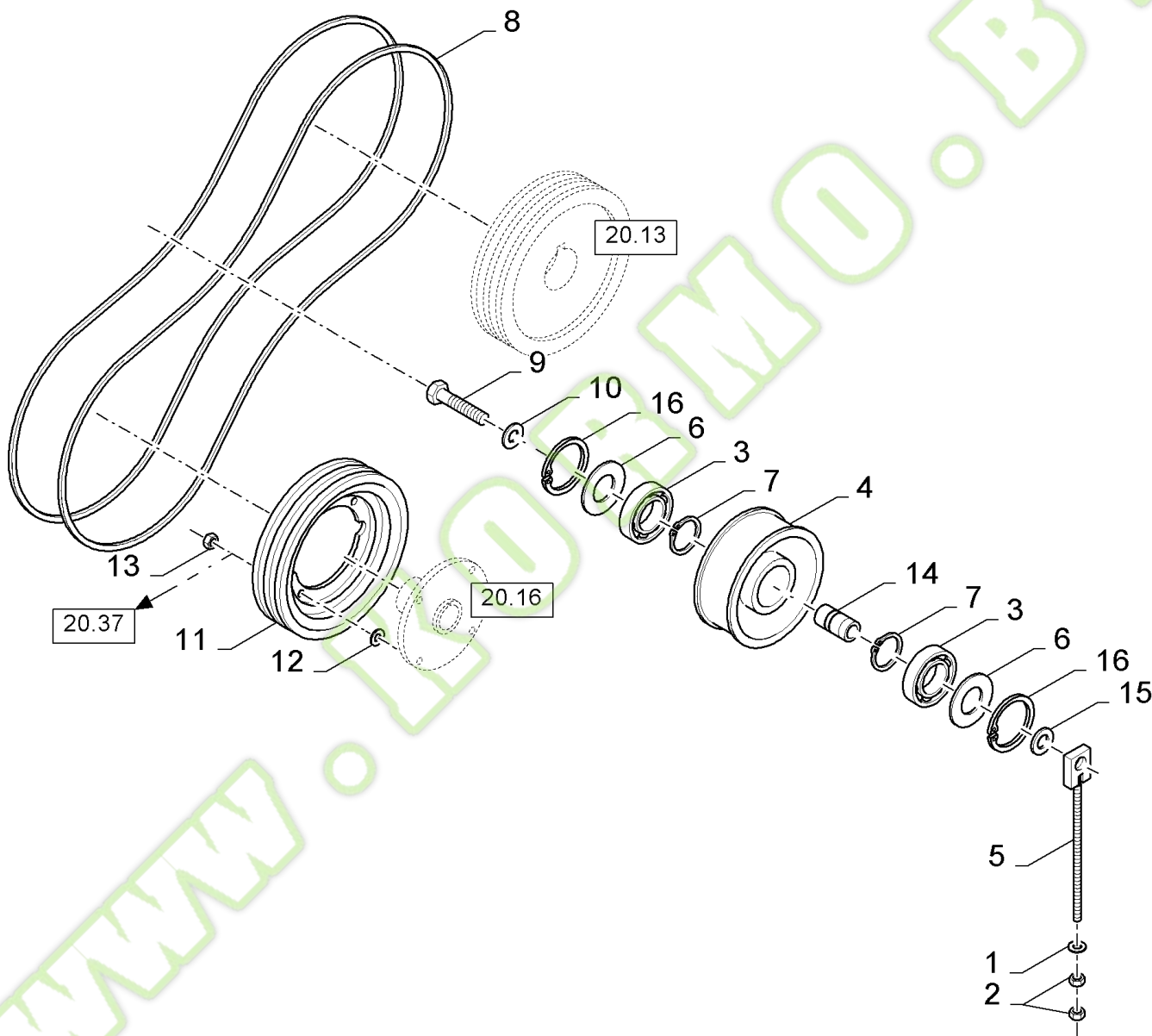
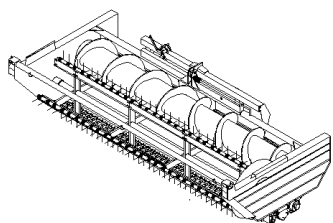


20.14(01) KNIFE DRIVE, FORK SHAFT BEARING

Ref	Part Number	Qty	Description
1	20337482	2	HOUSING, BEARING, {PP:84429557}
2	03669661	2	BEARING, ROLLER, {PP:84429369}
3	800-2190	4	CIRCLIP, {PP:84429609}
4	21424616	2	CAP, {PP:84429570}
5	01119347	2	SEAL, {PP:80394994}
6	84429542	2	PLATE,
7	20304675	2	FLANGE, {PP:84429541}
8	09105672	2	SHIM, {PP:84429434}
9	614-12030	8	BOLT, {PP:80412700} Hex, M12 x 30, 8.8, M12x30
10	84818888	16	NUT, M12
11	06455863	8	WASHER, LOCK, {PP:12034771} 12MM
12	03617056	2	NIPPLE, LUBE, {PP:84429362}
13	20304425	4	PLATE, {PP:84429536}
14	09105623	4	PAPER SEAL, {PP:84818835}
15	614-12045	8	BOLT, {PP:84015507} Hex, M12 x 45, 8.8, M12x45
16	21430438	8	WASHER, {PP:84429574} 13MM

WWW.KORMO.BY

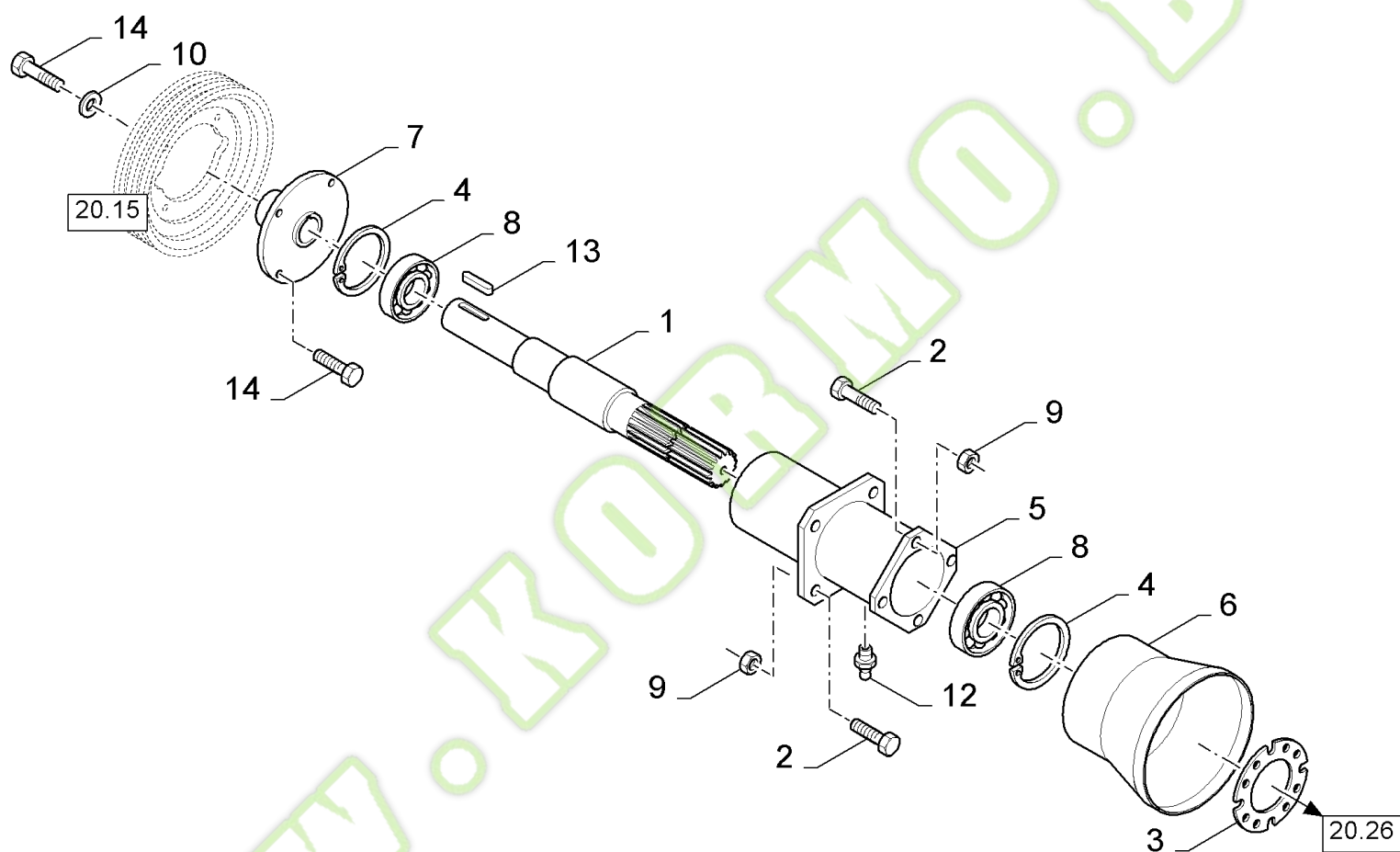
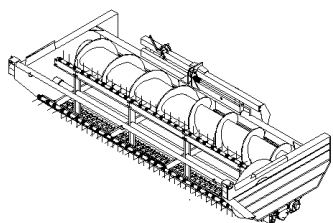
20.15(01) KNIFE DRIVE, V-BELT TENSIONER



20.15(01) KNIFE DRIVE, V-BELT TENSIONER

Ref	Part Number	Qty	Description
1	895-11010	1	WASHER, {PP:84429622} M10 x 20 x 2, 10.5MM
2	825-1410	2	NUT, {PP:84429615} M10, CI 8, M10
3	84818793	2	BEARING, BALL,
4	84818686	1	PULLEY,
5	84818774	1	TENSIONER,
6	84818780	2	SEAL WASHER,
7	84818879	1	CIRCLIP,
8	84818872	1	SET OF BELTS,
9	84818875	2	BOLT, M20x90
10	84818892	2	WASHER, 21MM
11	31019362	1	PULLEY, {PP:84429594}
12	06626384	12	SHIM, {PP:84429416}
13	84429618	4	NUT, M10
14	84818781	1	BUSHING,
15	394632	1	WASHER, {PP:80394632} M10 x 28 x 4, HT, 21x39x4MM
16	800-2162	2	CIRCLIP, {PP:84429607}

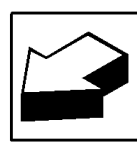
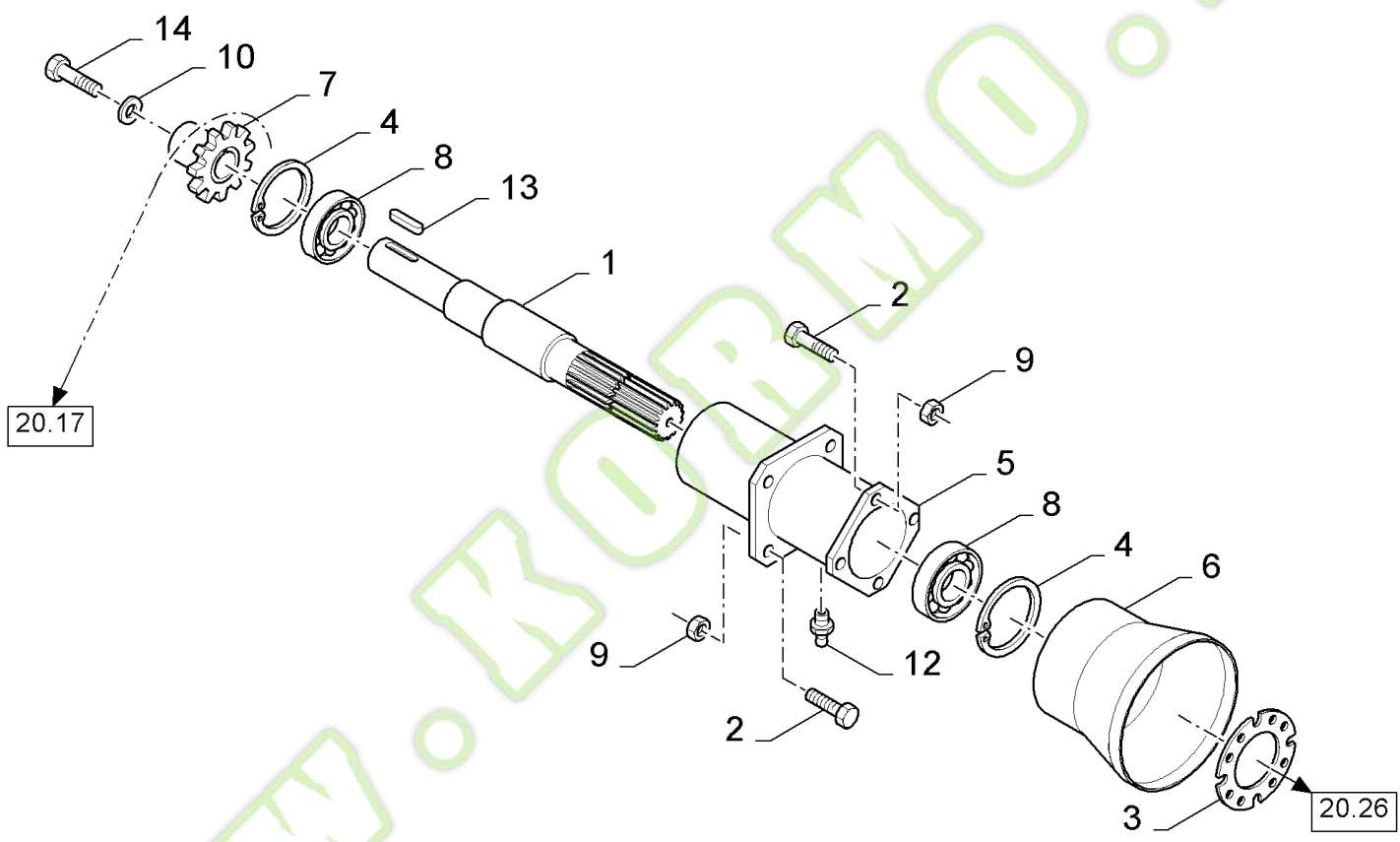
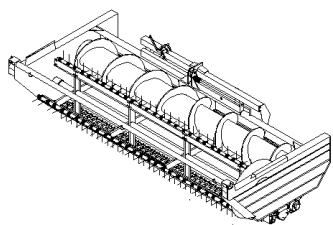
20.16(01) DRIVE, DRIVE SHAFT, LH



Ref	Part Number	Qty	Description
1	20338217	1	SHAFT, {PP:84429559}
2	43139	8	SCREW, {PP:80043139} Hex, M10 x 25, 8.8, Full Thd, M10x25
3	20338065	1	RING, {PP:84429558}
4	800-2172	2	CIRCLIP, {PP:84429608}
5	20338225	1	HOUSING, BEARING, {PP:84429560}
6	84429360	1	CAP,
7	84818696	1	FLANGE,
8	84429374	2	BEARING ASSY,
9	84429618	8	NUT, M10
10	21428603	1	WASHER, {PP:84429573}
12	03617056	1	NIPPLE, LUBE, {PP:84429362}
13	170034	1	KEY, {PP:80170034}
14	43140	5	BOLT, {PP:80043140} Hex, M10 x 30, 8.8, M10x30

WWW.KORMO.BY

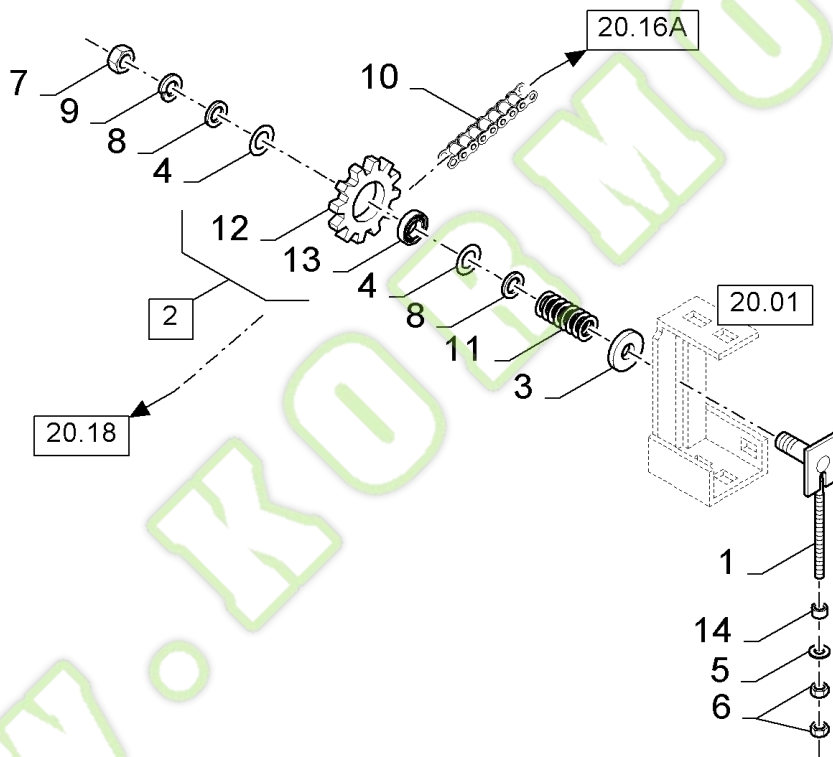
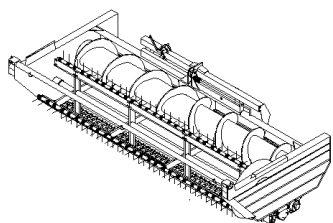
20.16A(01) DRIVE, DRIVE SHAFT, RH



Ref	Part Number	Qty	Description
1	20338217	1	SHAFT, {PP:84429559}
2	43139	8	SCREW, {PP:80043139} Hex, M10 x 25, 8.8, Full Thd, M10x25
3	20338065	1	RING, {PP:84429558}
4	800-2172	2	CIRCLIP, {PP:84429608}
5	20338225	1	HOUSING, BEARING, {PP:84429560}
6	84800916	1	GUARD,
7	84818687	1	SPROCKET, 11T
8	84429374	2	BEARING ASSY,
9	84429618	8	NUT, M10
10	21428603	1	WASHER, {PP:84429573}
12	03617056	1	NIPPLE, LUBE, {PP:84429362}
13	170034	1	KEY, {PP:80170034}
14	43140	1	BOLT, {PP:80043140} Hex, M10 x 30, 8.8, M10x30

WWW.KORMO.BY

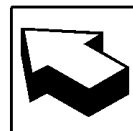
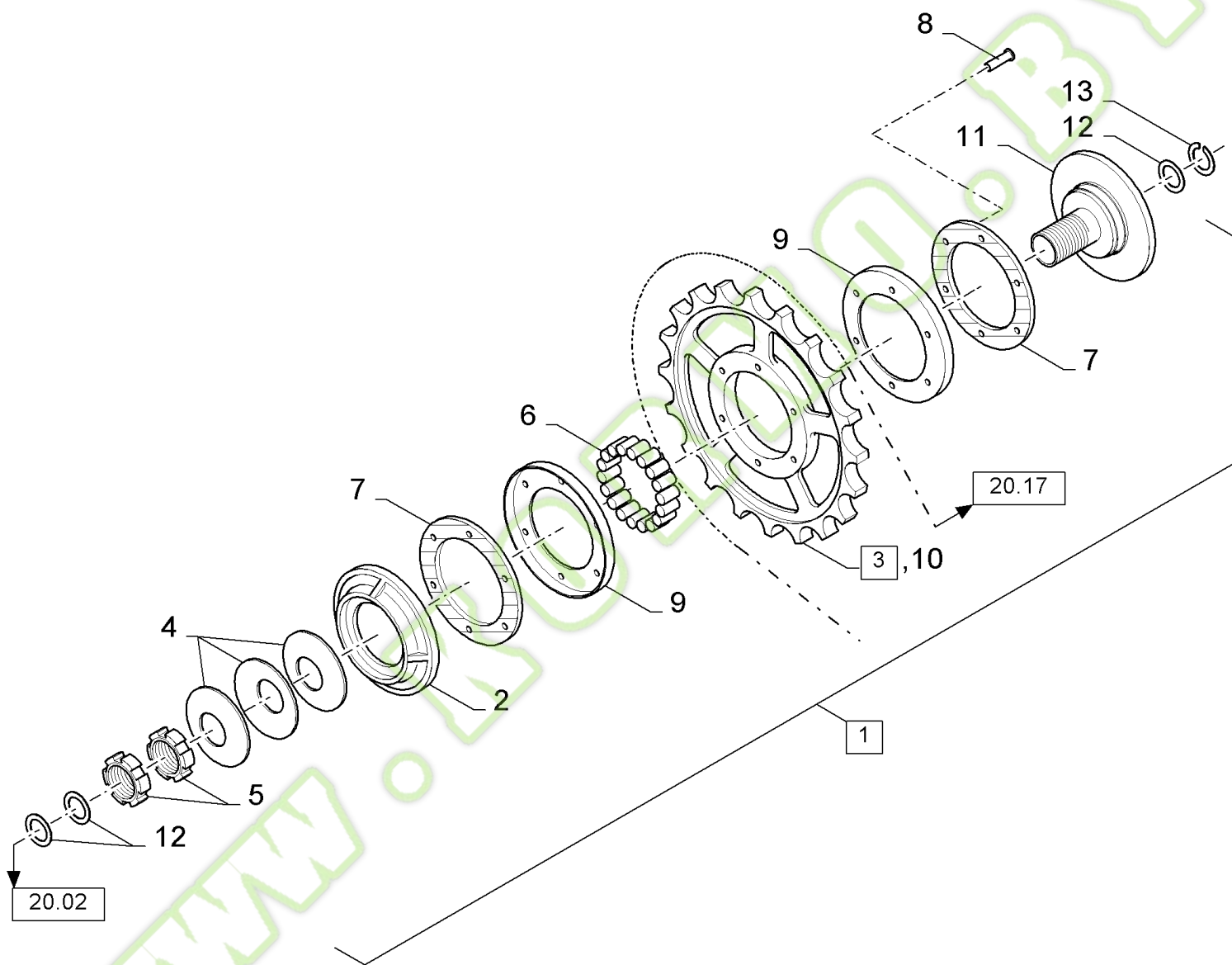
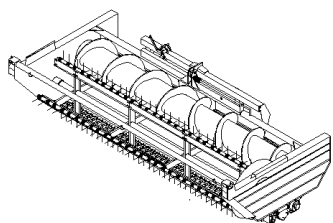
20.17(01) DRIVE, CHAIN TENSIONER - FEED AUGER



Ref	Part Number	Qty	Description
1	20303168	1	CLAMP, {PP:84429526}
2	20303215	1	SPROCKET, DRIVEN, {PP:84429527} (12,13)
3	03237295	1	WASHER, {PP:84429361}
4	20303231	2	PLATE, {PP:84429529}
5	895-11010	1	WASHER, {PP:84429622} M10 x 20 x 2, 10.5MM
6	84429618	2	NUT, M10
7	825-11420	1	NUT, {PP:84429612} M20 x 1.5, CI 8, M20
8	84819266	2	DISC, 21MM
9	06456028	1	WASHER, LOCK, {PP:12035071} 20MM
10	06803280	1	CHAIN, {PP:84429422}
11	06655122	8	SHIM, {PP:84429417}
12	20303223	1	WHEEL, IDLER, {PP:84429528} 12T
13	03671703	1	BEARING ASSY, {PP:84429373}
14	84818688	1	BUSHING,

WWW.KORMO.BY

20.18(01) SLIP CLUTCH

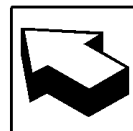
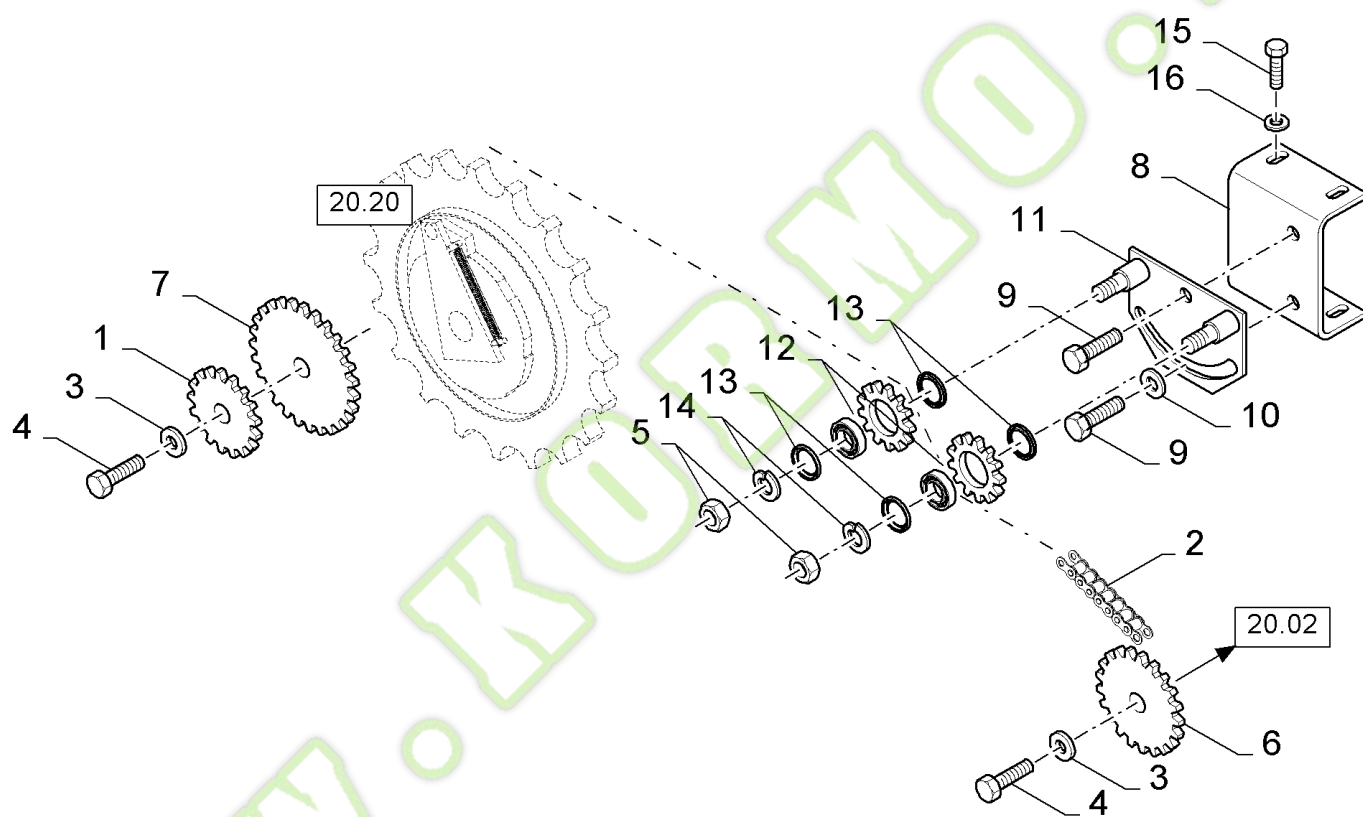
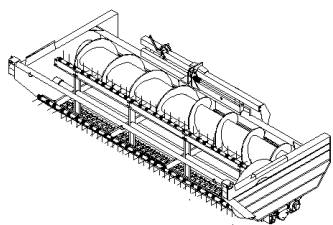


20.18(01) SLIP CLUTCH

Ref	Part Number	Qty	Description
1	03900733	1	CLUTCH, {PP:84429379} (2 to 11)
2	20742236	1	CLUTCH, PRESSURE PLATE, {PP:84429568}
3	31016825	1	SPROCKET, DRIVEN, {PP:84429581} (7 to 10)
4	20303393	3	WASHER, {PP:84429531}
5	06229653	2	NUT, {PP:84429402}
6	03675354	55	ROLLER, {PP:84429378}
7	84429583	2	LINING, CLUTCH,
8	06432375	6	RIVET, {PP:84819415} Rivet
9	20742277	2	LINING, CLUTCH, {PP:84819271}
10	31016833	1	SPROCKET, DRIVEN, {PP:84429582} 57T
11	31016858	1	CLUTCH, PRESSURE PLATE, {PP:84429584}
12	06625736	14	SHIM, {PP:84429415}
13	80300645	1	CIRCLIP,

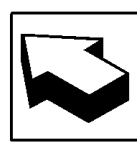
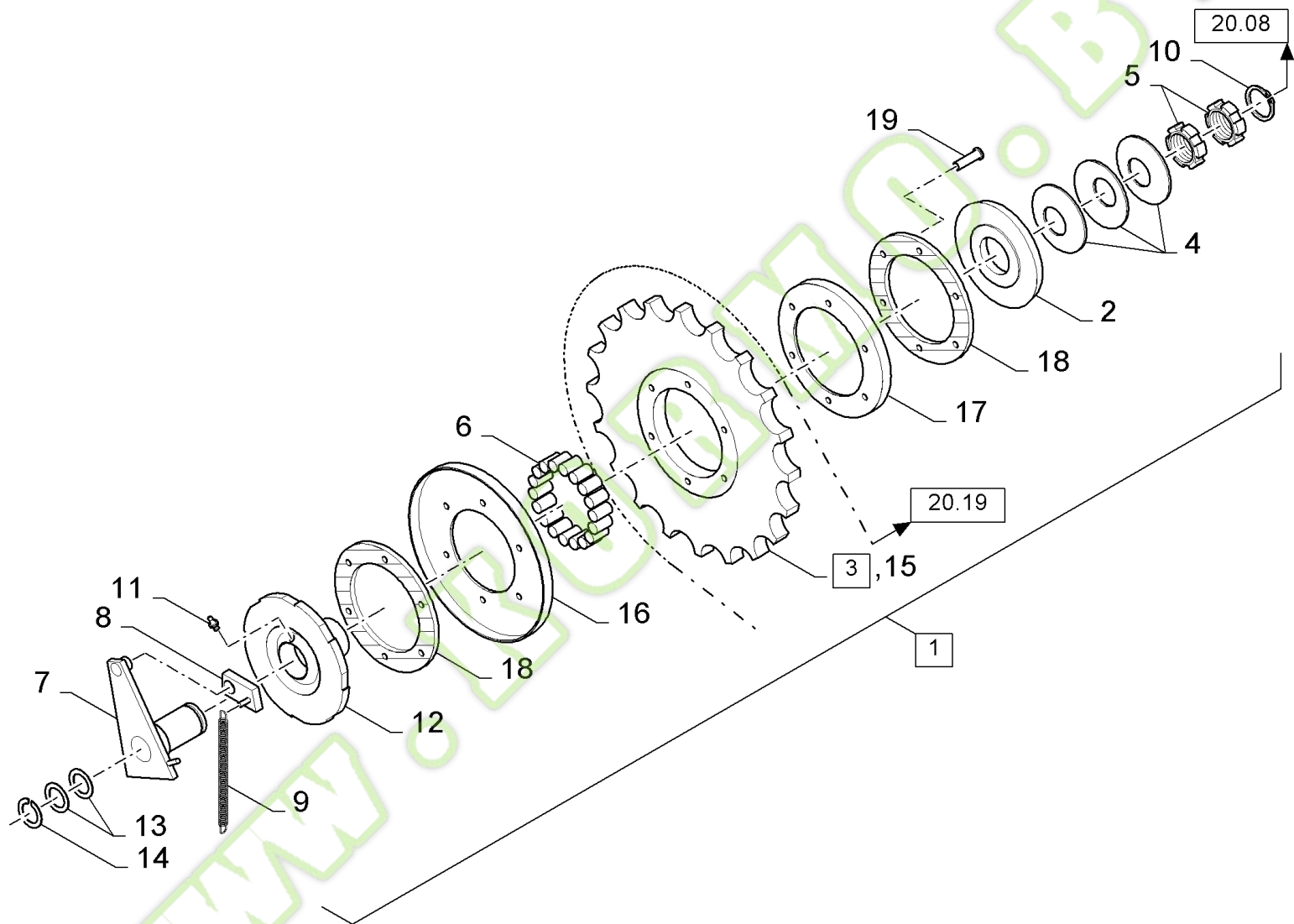
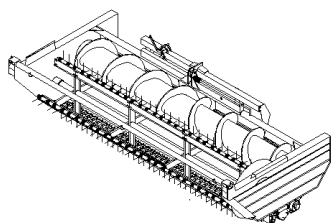
WWW.KORMO.BY

20.19(01) DRIVE, CHAIN TENSIONER - REEL



Ref	Part Number	Qty	Description
1	31017537	1	SPROCKET, {PP:84429590} 17T
2	06803297	1	CHAIN (AGRICULTURE), {PP:84818824}
3	31017578	2	WASHER, {PP:84429592} 16.5x36x6
4	06364282	2	BOLT, {PP:84429404} M16x65
5	825-11420	2	NUT, {PP:84429612} M20 x 1.5, Cl 8, M20
6	31017553	1	SPROCKET, {PP:84429591} 21T
7	84818693	1	SPROCKET, 27T
8	84818692	1	HOLDER,
9	385922	2	SCREW, {PP:80385922} Hex, M16 x 45, 8.8, Hex, M16 x 45, 8.8
10	122432	1	WASHER, {PP:80122432} 17MM
11	31017416	1	CLAMP, {PP:84429589}
12	20366622	2	SPROCKET, DRIVEN, {PP:84429563} 13T
13	20303231	4	PLATE, {PP:84429529}
14	06456028	2	WASHER, LOCK, {PP:12035071} 20MM
15	300389	4	SCREW, {PP:80300389} Hex, M12 x 35, 8.8, Full Thd, M12x35
16	06562038	4	WASHER, {PP:84429715} 13MM

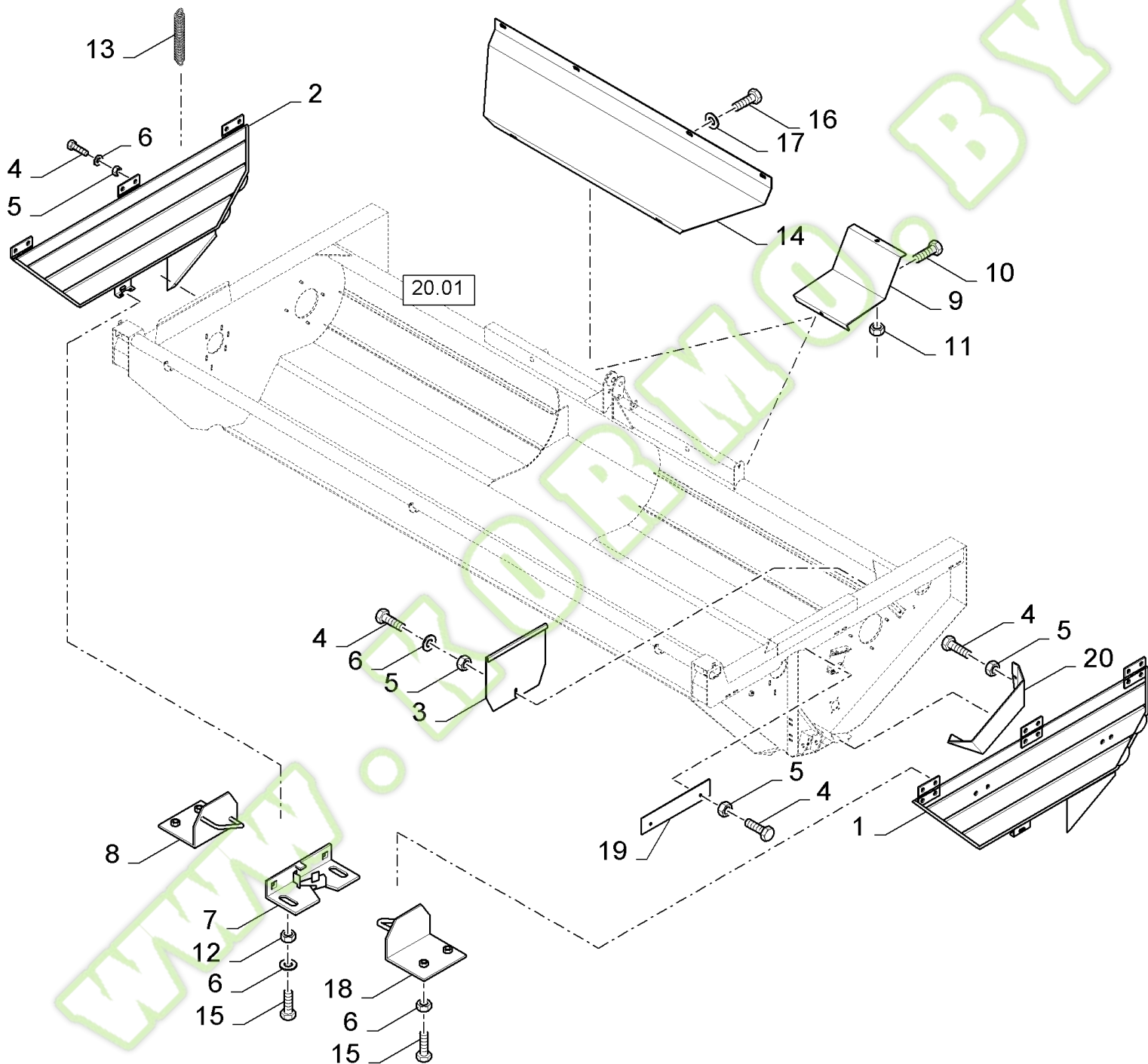
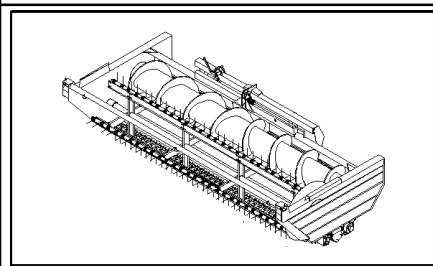
20.20(01) SLIP CLUTCH



20.20(01) SLIP CLUTCH

Ref	Part Number	Qty	Description
1	03900741	1	CLUTCH, SLIP, {PP:84429380} (2 to 12)
2	20742236	1	CLUTCH, PRESSURE PLATE, {PP:84429568}
3	31017256	1	SPROCKET, DRIVEN, {PP:84429588} (15 to 19)
4	20303393	3	WASHER, {PP:84429531}
5	06229653	2	NUT, {PP:84429402}
6	03675354	55	ROLLER, {PP:84429378}
7	31017127	1	ROLLER, {PP:84429585}
8	31017192	1	PAWL, {PP:84429586}
9	06735934	1	SPRING, TENSION, {PP:84429421}
10	06451064	1	CIRCLIP, {PP:84429408}
11	03617056	1	NIPPLE, LUBE, {PP:84429362}
12	31017223	1	CLUTCH, PRESSURE PLATE, {PP:84429587}
13	84818895	8	SHIM,
14	800-1138	1	RING, {PP:84429606}
15	84818847	1	RING, 57T
16	84819272	1	LINING, CLUTCH,
17	20742277	1	LINING, CLUTCH, {PP:84819271}
18	31016841	2	FACING, CLUTCH, {PP:84819270}
19	84818812	6	RIVET,

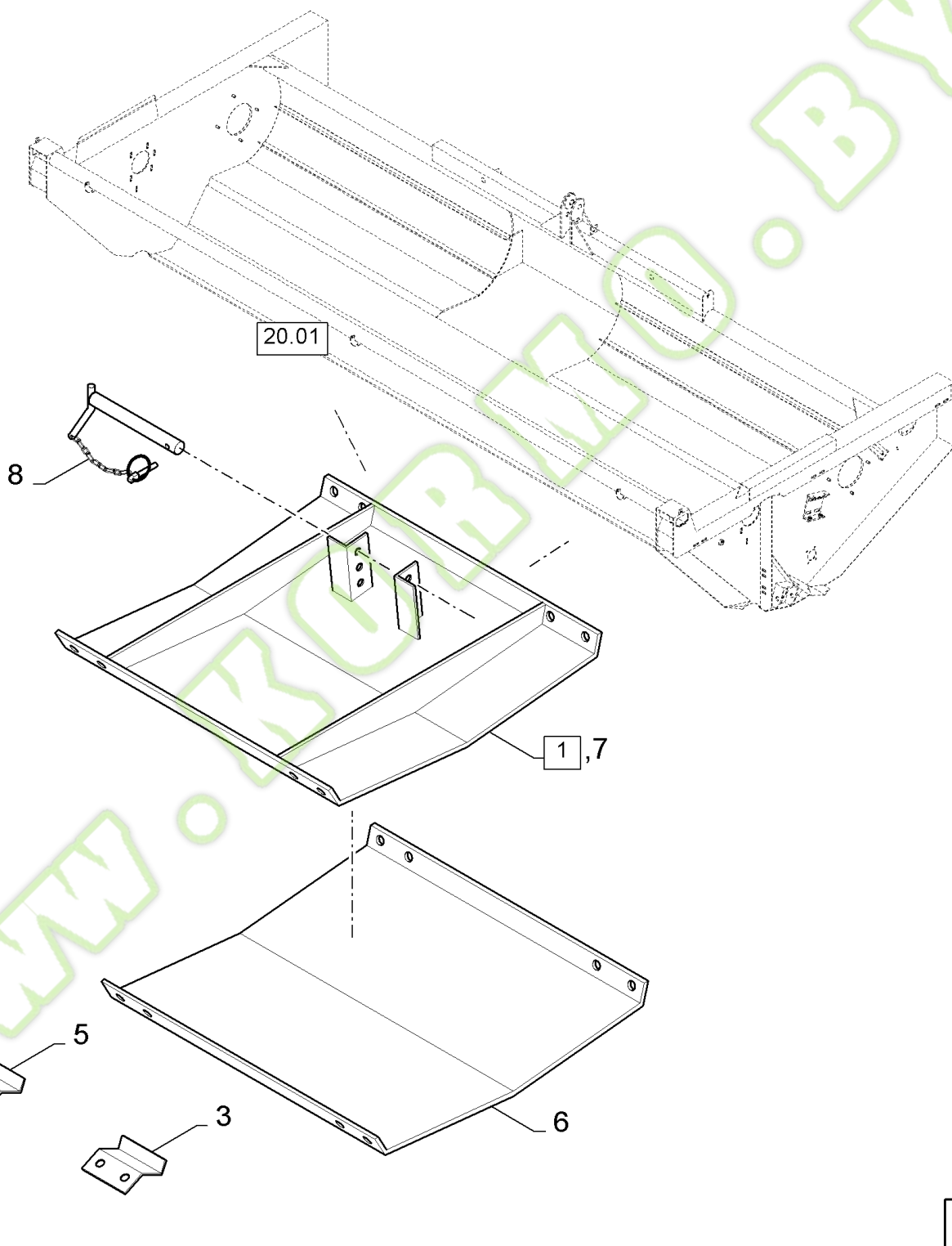
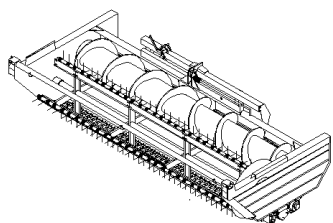
20.21(01) GUARDS



20.21(01) GUARDS

Ref	Part Number	Qty	Description
1	84818698	1	GUARD, LH
2	31092233	1	GUARD, {PP:84429598} RH
3	84818695	1	COVER,
4	80412116	19	BOLT, M8x16
5	84818887	19	NUT, M8
6	84429621	25	WASHER, 8.4MM
7	02034470	2	LOCK, {PP:84429518}
8	31092852	1	SUPPORT, {PP:84429601} RH
9	20304747	2	PLATE, {PP:84429543}
10	80300511	2	BOLT, M10x20
11	84429618	2	NUT, M10
12	06116155	4	NUT, {PP:84429397} M8
13	06700916	2	SPRING, TENSION, {PP:84429418}
14	84818694	1	GUARD,
15	412247	8	BOLT, {PP:80412247} M8x25
16	43139	8	SCREW, {PP:80043139} Hex, M10 x 25, 8.8, Full Thd, M10x25
17	895-11010	8	WASHER, {PP:84429622} M10 x 20 x 2, 10.5MM
18	31092828	1	SUPPORT, {PP:84429600}
19	31017617	1	PLATE, COVER, {PP:84429593}
20	20304152	2	CAP, {PP:84429534}

20.22(01) SKID SHOES

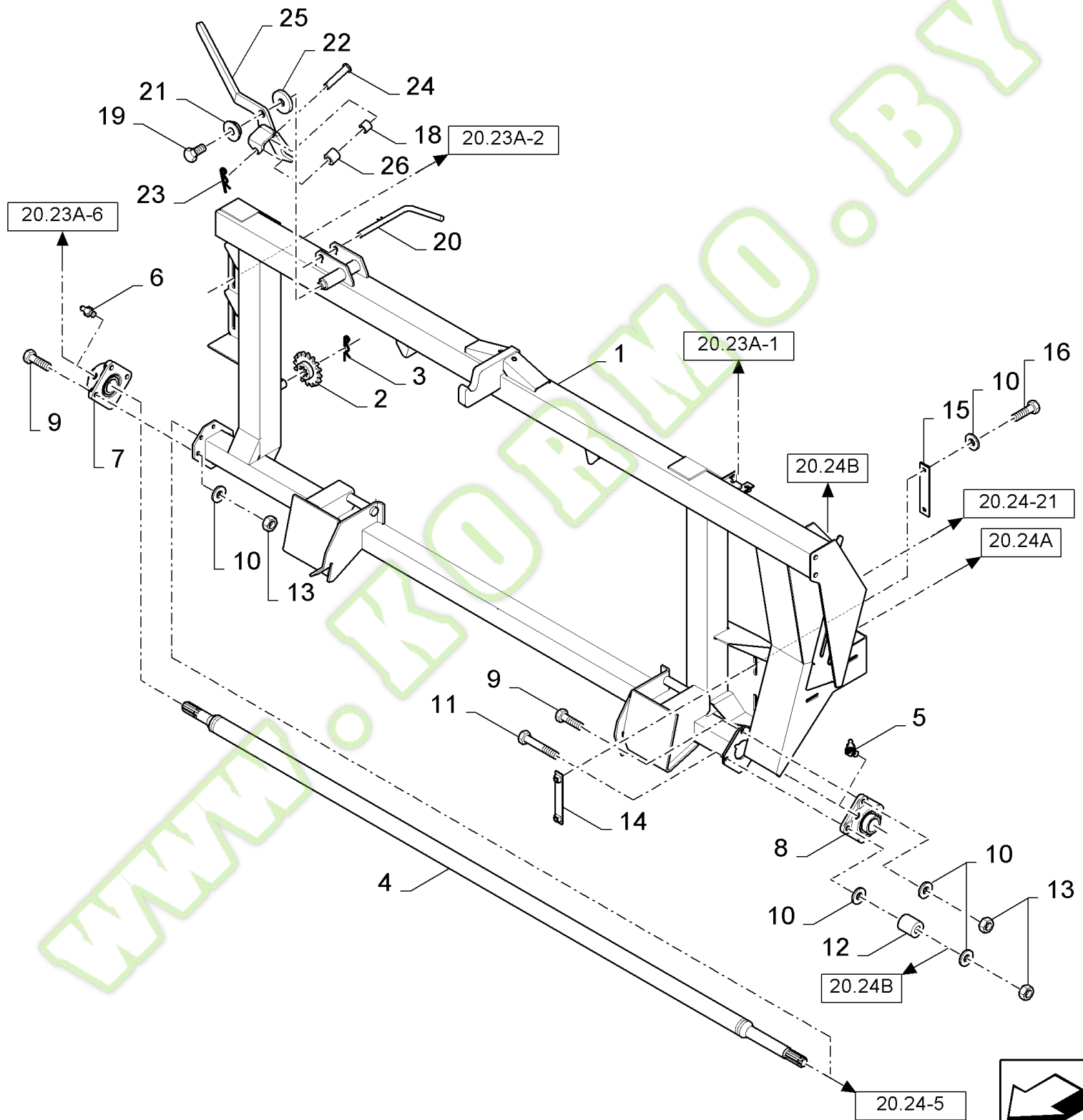
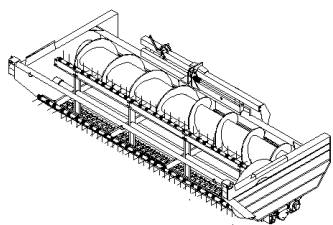


20.22(01) SKID SHOES

Ref	Part Number	Qty	Description
1	20338258	2	PLATE, {PP:84429561} (2,4,6,7)
2	825-1410	8	NUT, {PP:84429615} M10, CI 8, M10
3	20304361	2	CLAMP, {PP:84429535}
4	379528	8	SCREW, {PP:80379528} Hex Flat Hd, M10 x 25, 4.8, M10x25
5	20303762	2	CLAMP, {PP:84429532}
6	84818689	2	SEAT,
7	84818690	1	FRAME,
8	03620115	2	HANDLED SHAFT, {PP:84818790}

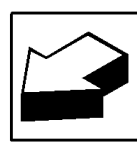
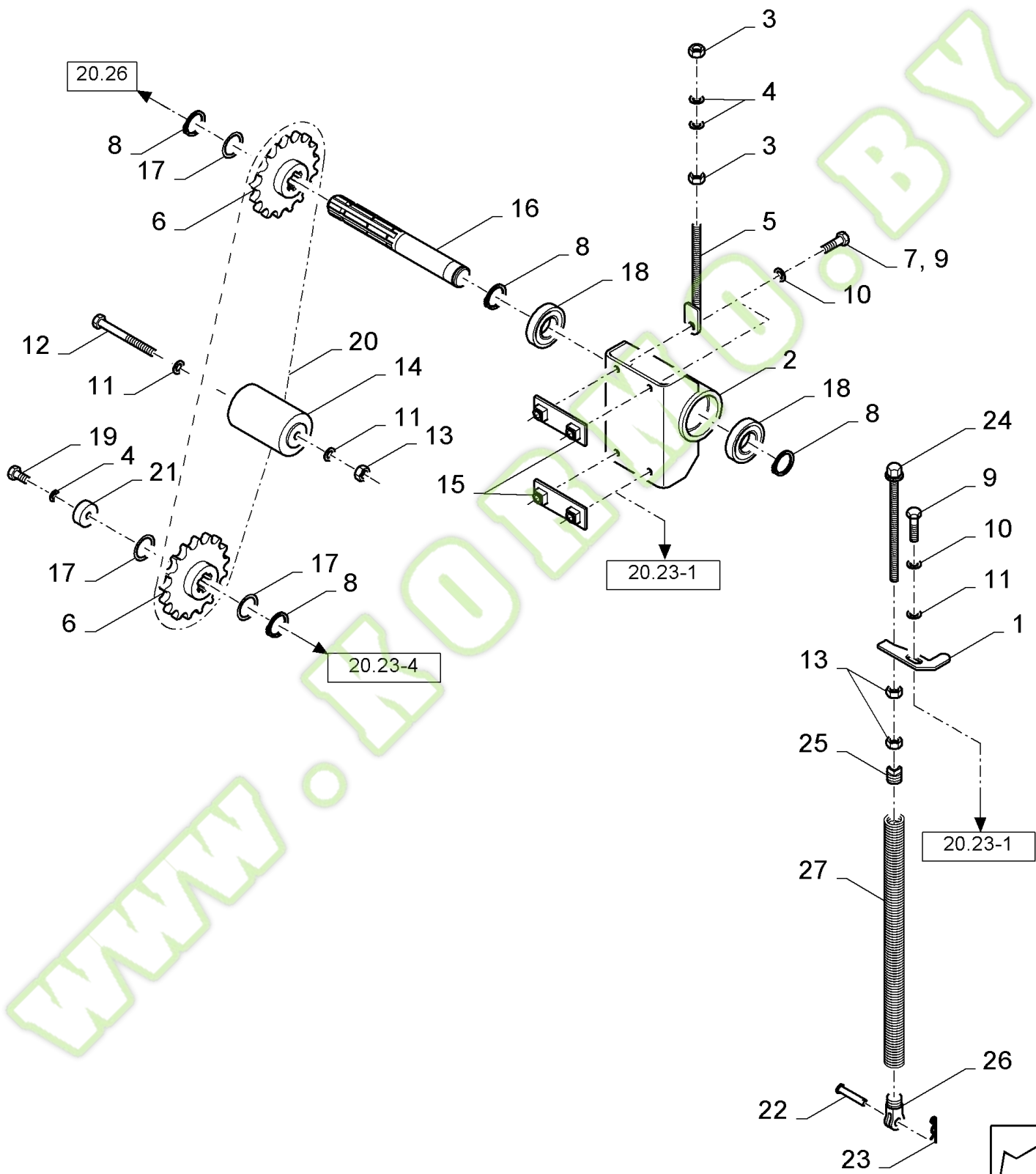
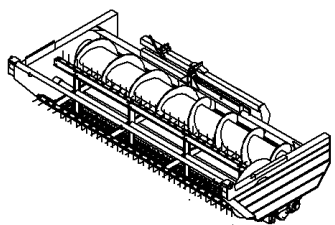
WWW.KORMO.BY

20.23(01) ADAPTOR AND DRIVE, RH



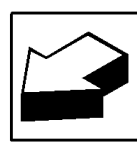
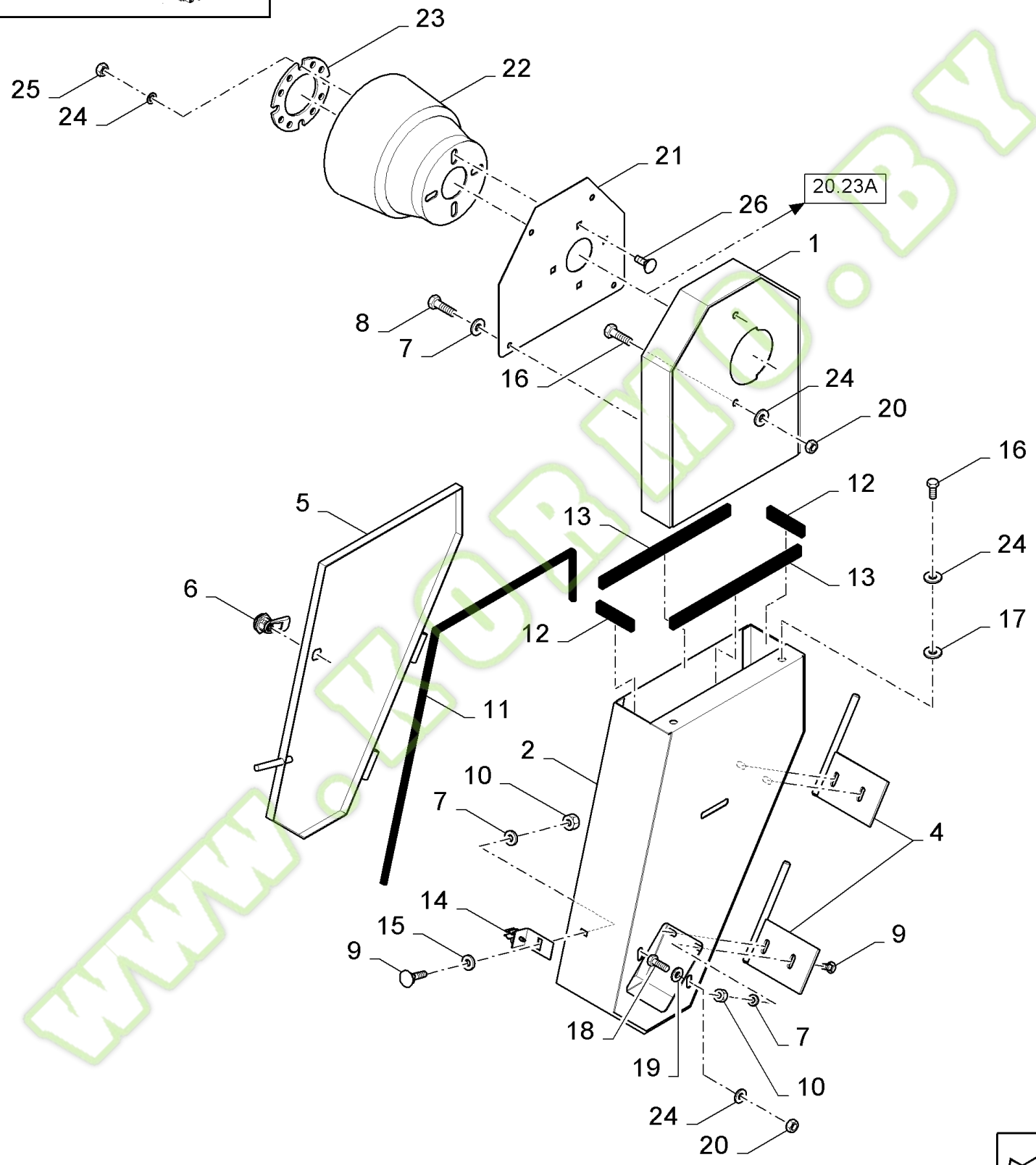
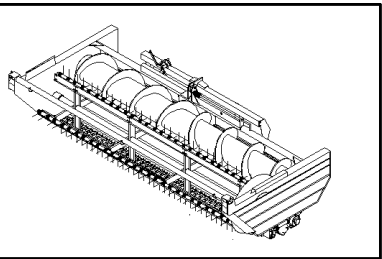
Ref	Part Number	Qty	Description
1	84818709	1	CAPPING,
2	84818731	1	SPROCKET,
3	84818823	1	SPLIT PIN/SAFETY PIN,
4	84818861	1	JACKSHAFT,
5	84818791	1	NIPPLE, LUBE,
6	03617056	1	NIPPLE, LUBE, {PP:84429362}
7	03435452	1	BEARING ASSY, {PP:84429712}
8	84818855	1	FLANGE,
9	84429713	6	SCREW, M12x40
10	06577011	12	PLATE, LOCKING, {PP:84429714} 12MM
11	84818874	2	SCREW, M12x70
12	84818726	2	BUSHING,
13	825-1412	8	NUT, {PP:84429616} M12, Cl 8, M12
14	84818729	1	BAR PLATE,
15	84818730	1	BAR PLATE,
16	614-12030	2	BOLT, {PP:80412700} Hex, M12 x 30, 8.8, M12x30
18	84818708	1	SLEEVE,
19	300388	1	SCREW, {PP:80300388} Hex, M12 x 25, 8.8, M12x25
20	84818727	1	PIN,
21	84429729	1	WASHER,
22	84818896	1	SHIM,
23	84429728	1	PIN, SPLIT (COTTER),
24	84818831	1	PIN,
25	84818728	1	LEVER,
26	84429726	1	ROLLER,

20.23A(01) DRIVE, RH



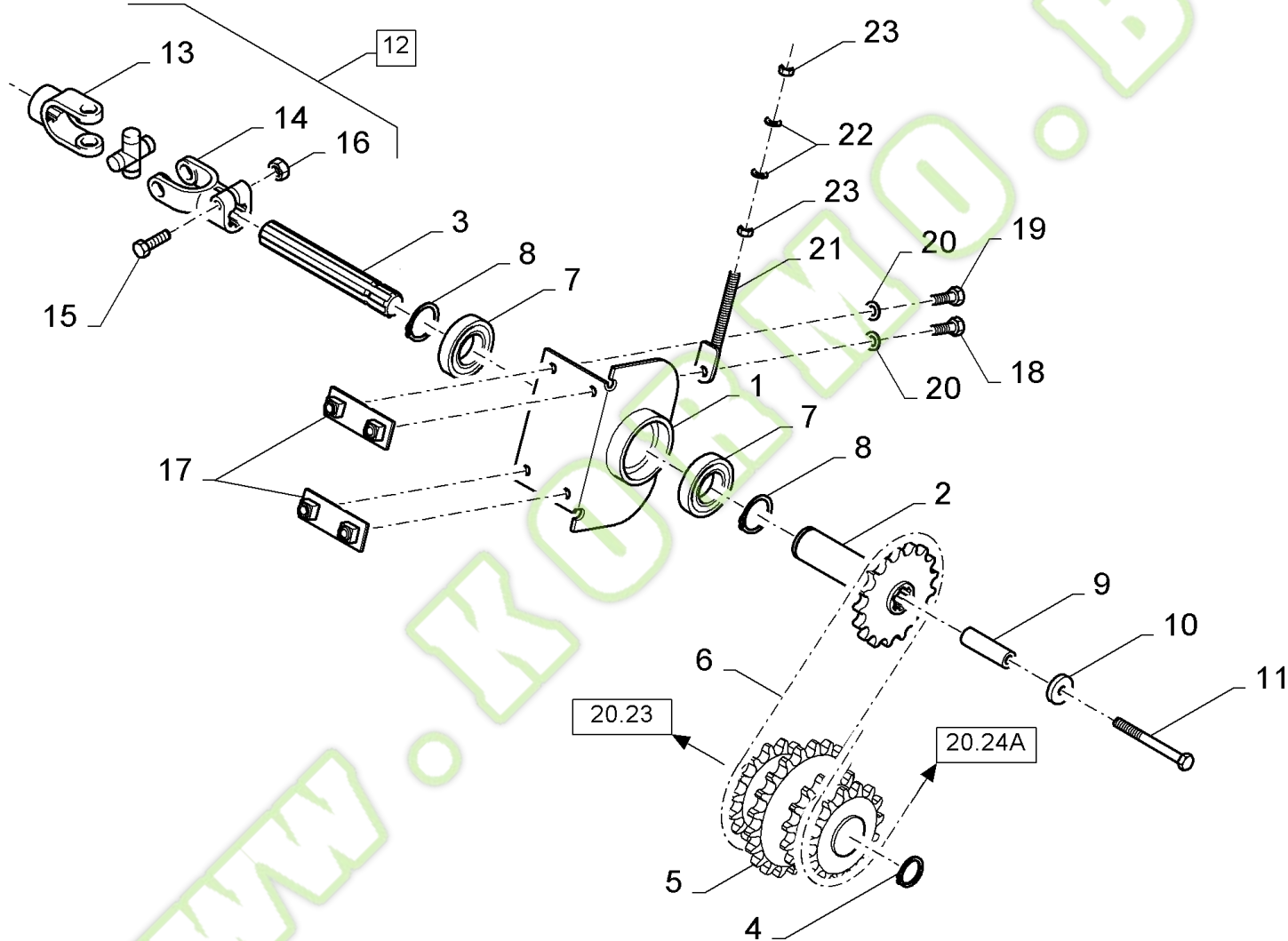
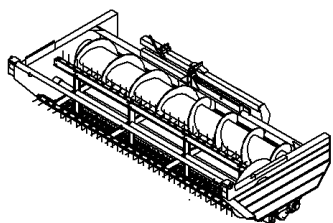
Ref	Part Number	Qty	Description
1	84818725	1	PLATE,
2	84818718	1	HOUSING, BEARING,
3	825-1410	2	NUT, {PP:84429615} M10, CI 8, M10
4	84818816	3	WASHER, SPECIAL, 10MM
5	84818721	1	TRUSS ROD,
6	84429711	2	SPROCKET, 17T
7	300389	3	SCREW, {PP:80300389} Hex, M12 x 35, 8.8, Full Thd, M12x35
8	80300642	4	CIRCLIP,
9	84429713	2	SCREW, M12x40
10	06577011	5	PLATE, LOCKING, {PP:84429714} 12MM
11	06562038	3	WASHER, {PP:84429715} 13MM
12	84818884	1	SCREW, M12x160
13	825-1412	3	NUT, {PP:84429616} M12, CI 8, M12
14	84818867	1	TENSIONER,
15	84818722	2	BAR PLATE,
16	84818851	1	SHAFT,
17	84818822	3	SHIM, 35MM
18	84429374	2	BEARING ASSY,
19	43139	1	SCREW, {PP:80043139} Hex, M10 x 25, 8.8, Full Thd, M10x25
20	06838032	1	CHAIN (AGRICULTURE), {PP:84429721}
21	84818852	1	BUSHING, GUIDE,
22	84429698	1	BOLT,
23	84429699	1	PIN, SPLIT (COTTER),
24	84818736	1	BOLT,
25	84818739	1	END FITTING,
26	84818738	1	END FITTING,
27	06701226	1	SPRING, TENSION, {PP:84818737}

20.23B(01) DRIVE GUARDS, RH



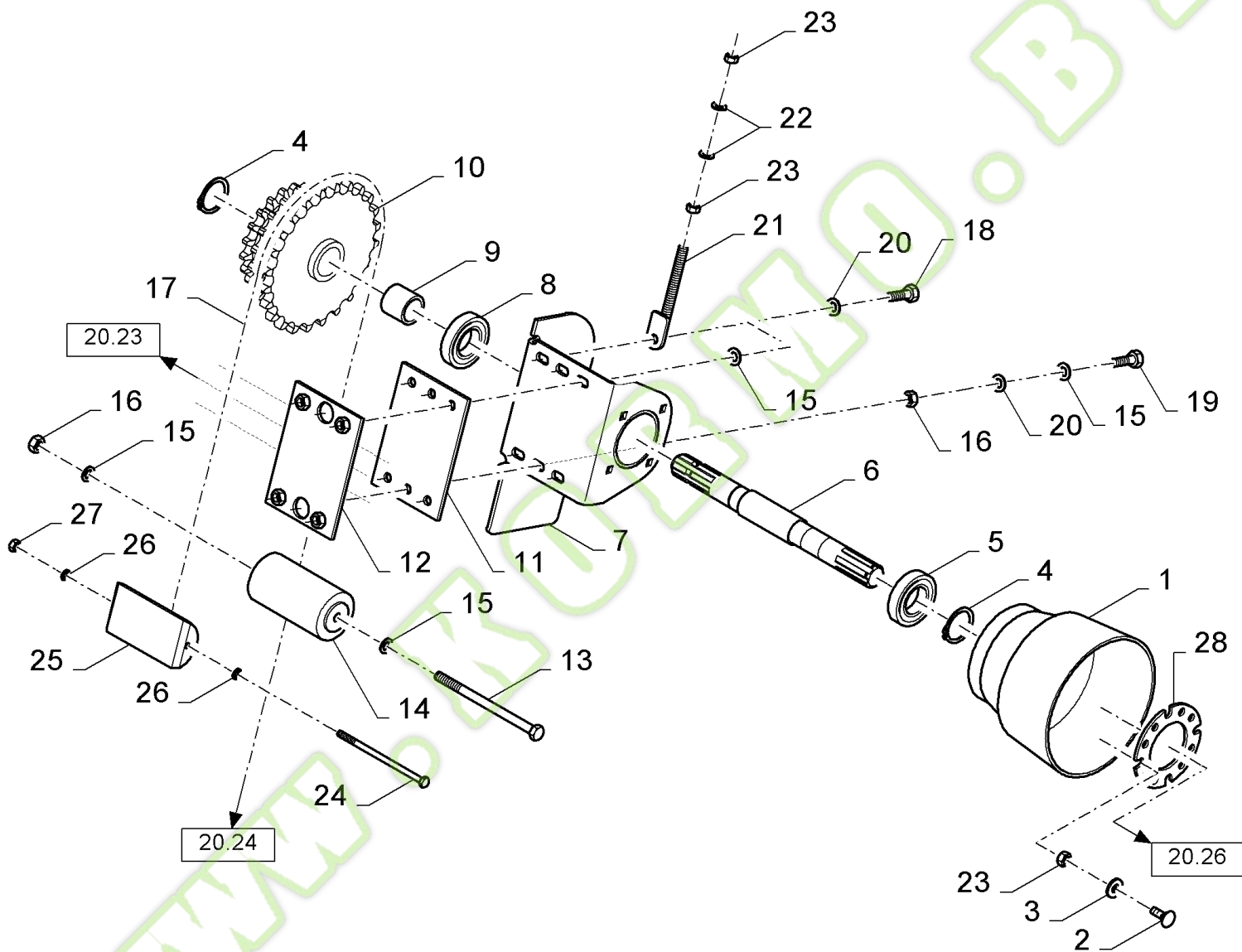
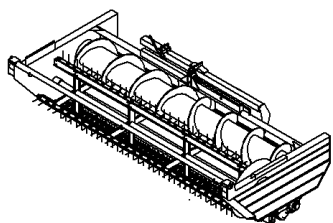
20.23B(01) DRIVE GUARDS, RH

Ref	Part Number	Qty	Description
1	84818732	1	BOX,
2	84818733	1	BOX,
4	84818713	2	HINGE,
5	84818735	1	DOOR,
6	84818849	1	LATCH,
7	84818819	AR	WASHER, SPECIAL, 8MM
8	80412116	4	BOLT, M8x16
9	84818775	5	SCREW, M8x16
10	84818887	5	NUT, M8
11	84818862	1	STRIP, PROTECTION,
12	84818863	2	STRIP, SEALING,
13	84818864	2	STRIP, SEALING,
14	84818871	1	CLAMP,
15	84818813	1	WASHER,
16	43139	4	SCREW, {PP:80043139} Hex, M10 x 25, 8.8, Full Thd, M10x25
17	06562087	2	WASHER, {PP:84818815} 10.5MM
18	43140	2	BOLT, {PP:80043140} Hex, M10 x 30, 8.8, M10x30
19	84818820	2	WASHER, SPECIAL, 10MM
20	84429618	4	NUT, M10
21	84818734	1	COVER,
22	84429360	1	CAP,
23	20338065	1	RING, {PP:84429558}
24	84818816	AR	WASHER, SPECIAL, 10MM
25	825-1410	4	NUT, {PP:84429615} M10, Cl 8, M10
26	84818834	4	SCREW, M10x20



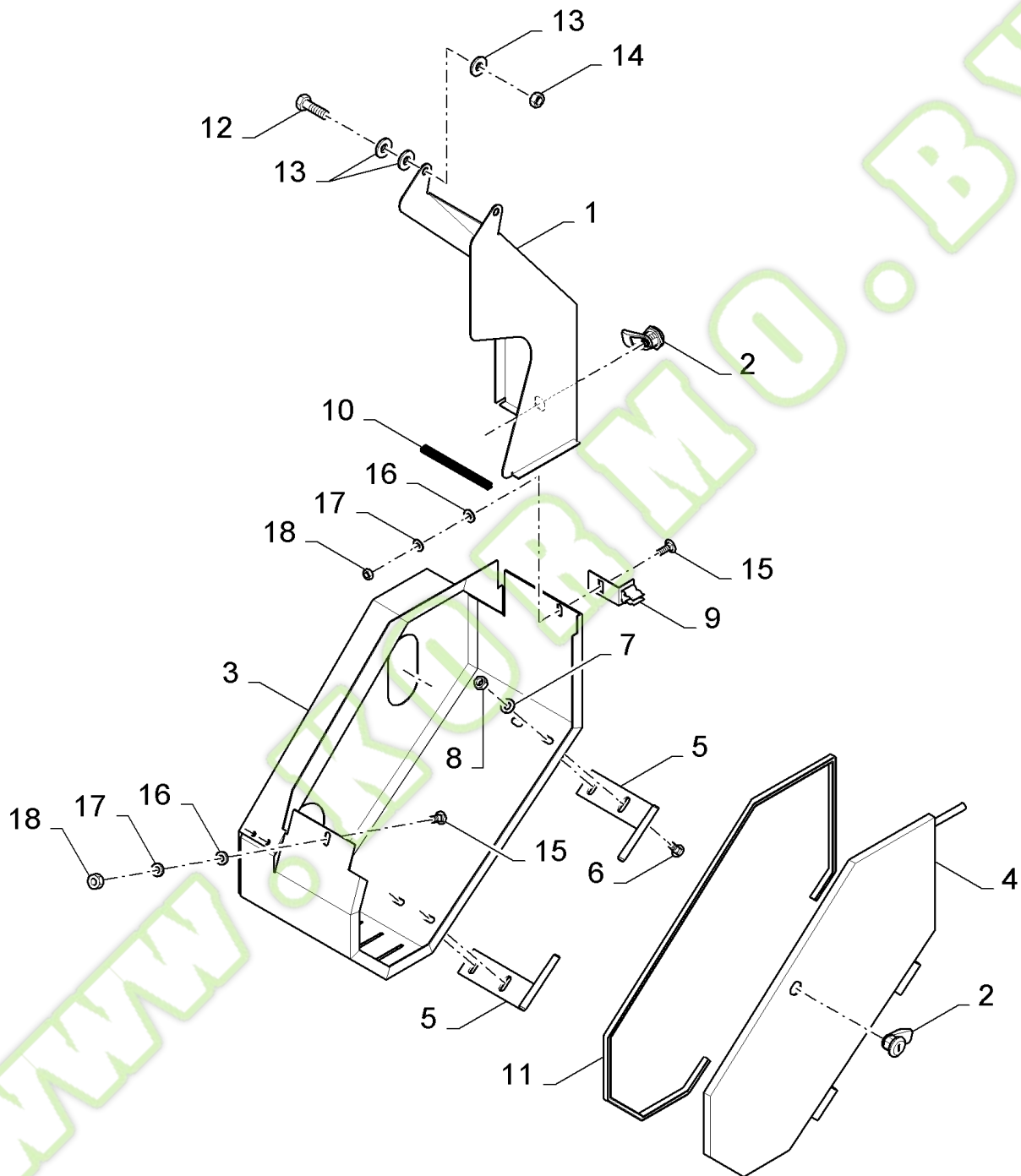
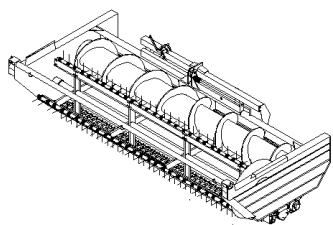
Ref	Part Number	Qty	Description
1	84818715	1	HOUSING, BEARING,
2	31231317	1	SHAFT, {PP:84607702} 17T
3	31231325	1	SHAFT, {PP:84607699}
4	80300642	1	CIRCLIP,
5	84818714	1	SPROCKET, 17/21/18/15T
6	84818825	1	CHAIN (AGRICULTURE),
7	03652356	2	BEARING ASSY, {PP:84607703}
8	84818881	2	CIRCLIP,
9	84818773	1	BUSHING,
10	31231390	1	WASHER, {PP:84818707}
11	814-12110	1	SCREW, {PP:84818883} Hex, M12 x 110, 8.8, M12x110
12	84818848	1	COUPLING, (13 to 16)
13	NS	1	NOT SERVICED, Yoke
14	NS	1	NOT SERVICED, Yoke
15	NS	1	NOT SERVICED, Screw
16	NS	1	NOT SERVICED, Nut
17	84818722	2	BAR PLATE,
18	84429713	1	SCREW, M12x40
19	300389	3	SCREW, {PP:80300389} Hex, M12 x 35, 8.8, Full Thd, M12x35
20	06577011	4	PLATE, LOCKING, {PP:84429714} 12MM
21	84818723	1	PIN, SPLIT (COTTER),
22	84818816	2	WASHER, SPECIAL, 10MM
23	825-1410	2	NUT, {PP:84429615} M10, Cl 8, M10

20.24A(01) DRIVE, LH



Ref	Part Number	Qty	Description
1	84429360	1	CAP,
2	84429732	4	SCREW, M10x25
3	84818816	4	WASHER, SPECIAL, 11MM
4	80300642	2	CIRCLIP,
5	03671816	1	BEARING ASSY, {PP:84607709}
6	84818853	1	SHAFT,
7	84818716	1	HOUSING, BEARING,
8	84818794	1	BEARING, BALL,
9	84818854	1	BUSHING,
10	84818717	1	SPROCKET, 18/21/23T
11	84818719	1	PLATE,
12	84818720	1	PLATE, PIVOT,
13	84818776	2	BOLT, M12x190
14	84818873	2	TENSIONER,
15	06562038	7	WASHER, {PP:84429715} 13MM
16	825-1412	4	NUT, {PP:84429616} M12, CI 8, M12
17	06838032	1	CHAIN (AGRICULTURE), {PP:84429721}
18	84429713	4	SCREW, M12x40
19	84818891	2	SCREW, M12x30
20	06577011	6	PLATE, LOCKING, {PP:84429714} 12MM
21	84818723	1	PIN, SPLIT (COTTER),
22	84818816	2	WASHER, SPECIAL, 10MM
23	825-1410	6	NUT, {PP:84429615} M10, CI 8, M10
24	84818859	1	BOLT, M8x180
25	84818858	1	BODY,
26	84818814	2	WASHER, 8.4MM
27	825-1408	1	NUT, {PP:84429614} M8, CI 8, M8
28	20338065	1	RING, {PP:84429558}

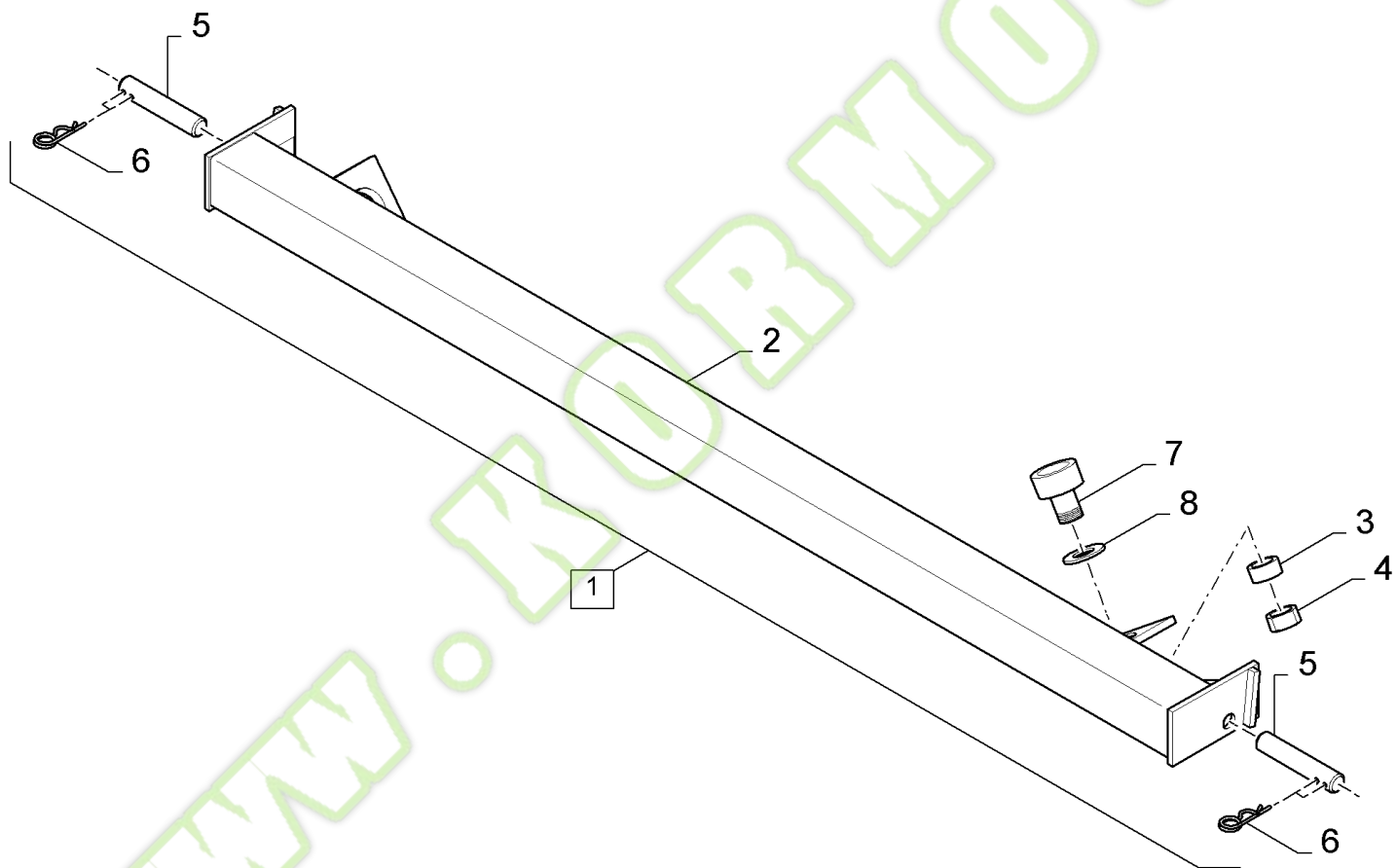
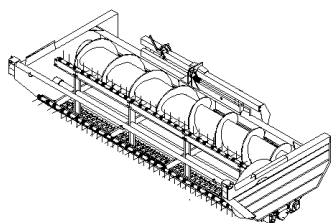
20.24B(01) DRIVE GUARDS, LH



20.24B(01) DRIVE GUARDS, LH

Ref	Part Number	Qty	Description
1	84818710	1	FLAP,
2	84818860	2	LATCH,
3	84818711	1	GUARD,
4	84818712	1	COVER,
5	84818713	2	HINGE,
6	84818775	4	SCREW, M8x16
7	84818817	4	WASHER, SPECIAL, 8MM
8	825-1408	4	NUT, {PP:84429614} M8, CI 8, M8
9	84818871	1	CLAMP,
10	84818868	1	STRIP, PROTECTION,
11	84818869	1	STRIP, PROTECTION,
12	43140	2	BOLT, {PP:80043140} Hex, M10 x 30, 8.8, M10x30
13	895-11010	6	WASHER, {PP:84429622} M10 x 20 x 2, 10.5MM
14	832-10410	2	NUT, {PP:84818894} M10 x 1.5, CI 8, M10
15	611-8025	4	SCREW, {PP:84818833} M8x25
16	84818813	4	WASHER, 9MM
17	84818817	4	WASHER, SPECIAL, 8MM
18	825-1408	4	NUT, {PP:84429614} M8, CI 8, M8

20.25(01) CROSSBEAM

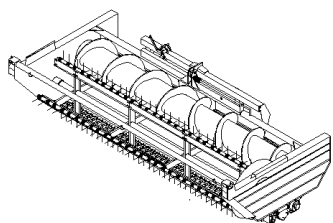


20.25(01) CROSSBEAM

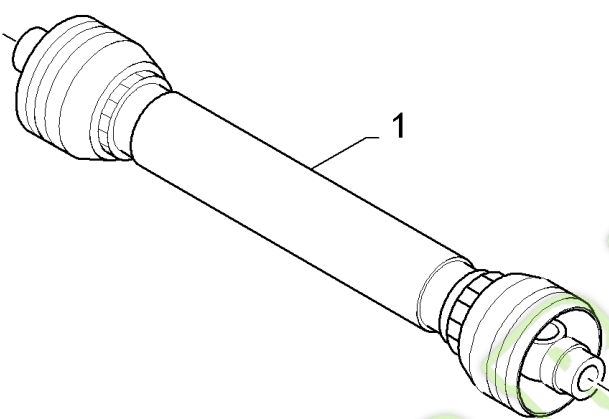
Ref	Part Number	Qty	Description
1	31230541	1	ROLLER, {PP:84429696} (2 to 7)
2	84818704	1	BRACKET,
3	36200113	2	SPACER, {PP:84429702}
4	06216062	2	NUT, {PP:84429703} M30
5	36203751	2	PIN, {PP:84429704}
6	733-6340	4	PIN, SPLIT (COTTER), {PP:84429705} M6.3 x 40,
7	84818789	2	BEARING, ROLLER,
8	84800917	2	WASHER,

WWW.KORMO.BY

20.26(01) DRIVE SHAFT, UNIVERSAL

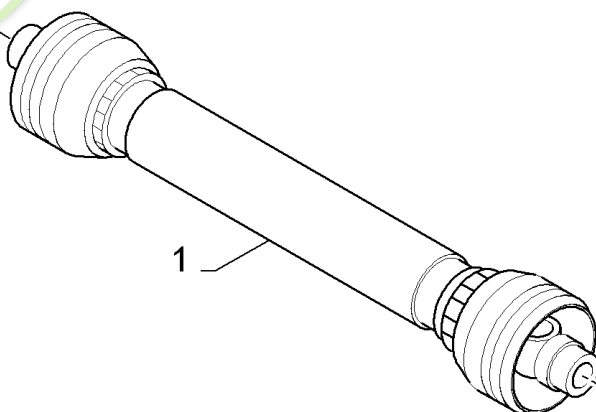


20.16A



20.23A

20.24A



20.16

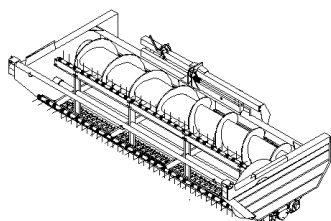


20.26(01) DRIVE SHAFT, UNIVERSAL

Ref	Part Number	Qty	Description
1	84818786	2	COUPLING,

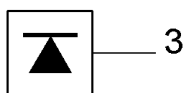
WWW.KORMO.BY

20.27(01) DECALS



12 V — 1

4,0 bar — 2



New Holland — 7

New Holland — 8

9

10

D Vor beforebrøbet læs de Betjæningsinstruksjoner og sikkerhedsinstruksjoner (read and observe the Operating Instructions and safety regulations)

GB Before putting into operation read and observe the Operating Instructions and safety regulations

F Avant de mettre en service il faut étudier et observer soigneusement les instructions de service et les règlements pour la protection de l'ouvrier

NL Voor het in gebruik nemen van de machine, grondig de gebruiksaanwijzing en de veiligheidsvoorschriften lezen en naleveren!

10

RF Прочтите внимательно и полностью инструкции по использованию и технике безопасности

CS Před uvedením stroje do provozu se musí pečlivě přečíst návod k obsluze a dbát bezpečnosti uživatele

PL Przed uruchomieniem należy przeczytać instrukcję obsługi oraz wytyczne dotyczące bezpiecznego pracy i przestrzegać odpowiednich przepisów

H Üzembevetelő előtt olvassuk el és ügyeljünk a biztonsági utasításra.

13

14

GB Before putting into operation read and observe the Operating Instructions and safety regulations!

F Avant de mettre en service il faut étudier et observer soigneusement les instructions de service et les règlements pour la protection de l'ouvrier!

E Antes de la puesta en marcha, leer y observar las instrucciones de servicio e indicaciones de seguridad!

I Prima dell'impiego osservare attentamente le istruzioni per l'uso e le norme di sicurezza!

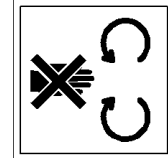
14

D Vor beforebrøbet læs de Betjæningsinstruksjoner og sikkerhedsinstruksjoner (read and observe the Operating Instructions and safety regulations)

GB Before putting into operation read and observe the Operating Instructions and safety regulations!

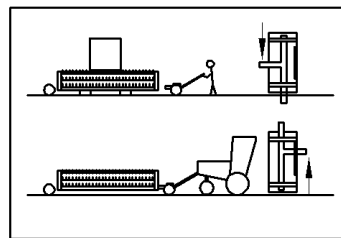
DK Før maskinen tages i brug skal de gamle dem gøres rigtigt ved tilpasningsarbejde, samt gennemlæses og respekteres sikkerhedsinstruksjonerne!

S Läs och beakta instruktionsboken med säkerhetsanvisningar innan ni börjar köra!



Model	Part No.	Part Name	Part No.	Part Name
L	10-100	10-100	10-100	10-100
	10-100	10-100	10-100	10-100
P	10-100	10-100	10-100	10-100
	10-100	10-100	10-100	10-100
H	10-100	10-100	10-100	10-100
	10-100	10-100	10-100	10-100

11

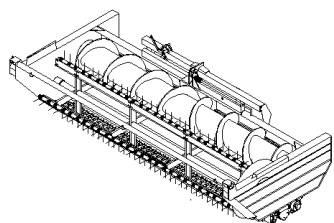


20.27(01) DECALS

Ref	Part Number	Qty	Description
1	84429680	2	DECAL,
2	84429681	3	DECAL,
3	84429682	3	DECAL,
4	09164633	4	DECAL, {PP:84429436}
5	09168147	5	ADHESIVE, {PP:84429458}
6	84429683	1	DECAL,
7	84818856	1	EMBLEM,
8	84818857	1	EMBLEM,
9	09164705	1	DECAL, {PP:84429437} D/GB/F/NL
10	09164738	1	DECAL, {PP:84429438} RF/CS/PL/H
11	84819269	2	ADHESIVE,
12	84400784	1	DECAL,
13	84800918	1	DECAL, GB/F/E/I
14	84800919	1	DECAL, D/GB/DK/S

WWW.KORMO.BY

20.28(01) KNIFE, ACCESSORIES



WWW.KORMO.BY

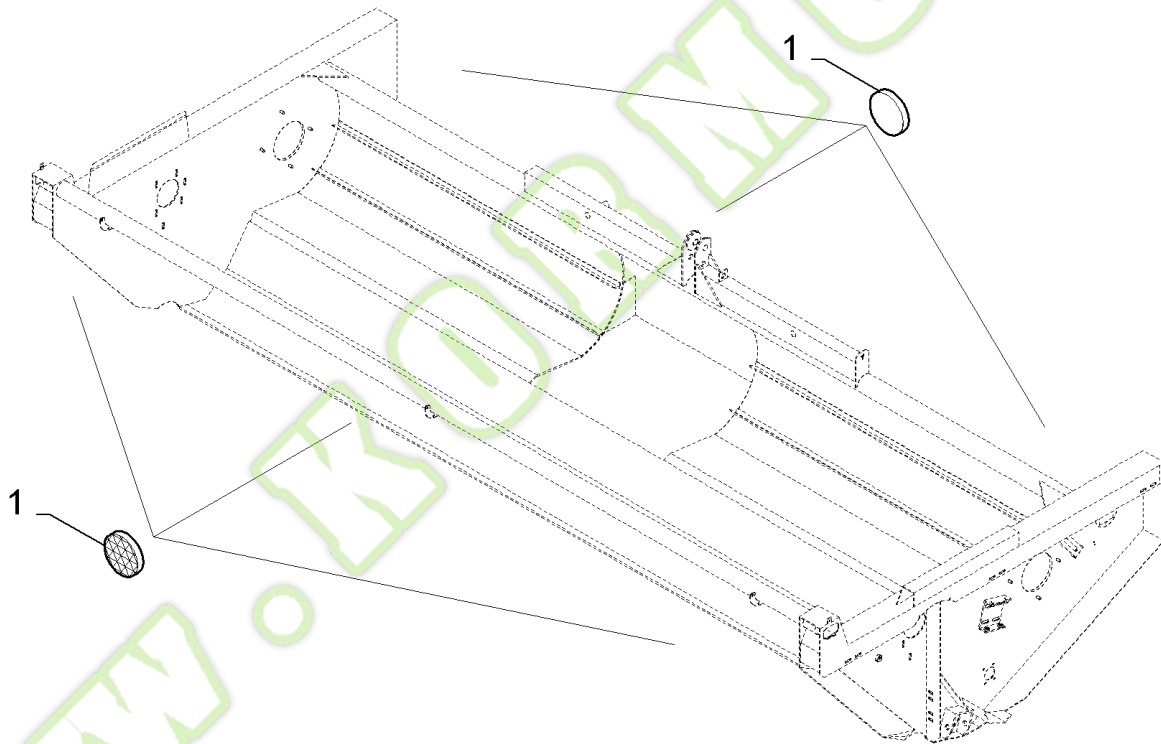
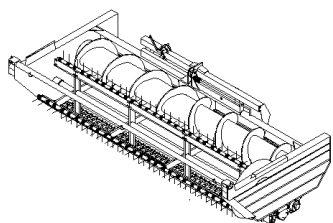


20.28(01) KNIFE, ACCESSORIES

Ref	Part Number	Qty	Description
1	20313692	1	HOOK, {PP:84818741}
2	9611697	1	SUPPORT, {PP:84429459}

WWW.KORMO.BY

20.29(01) REFLECTOR

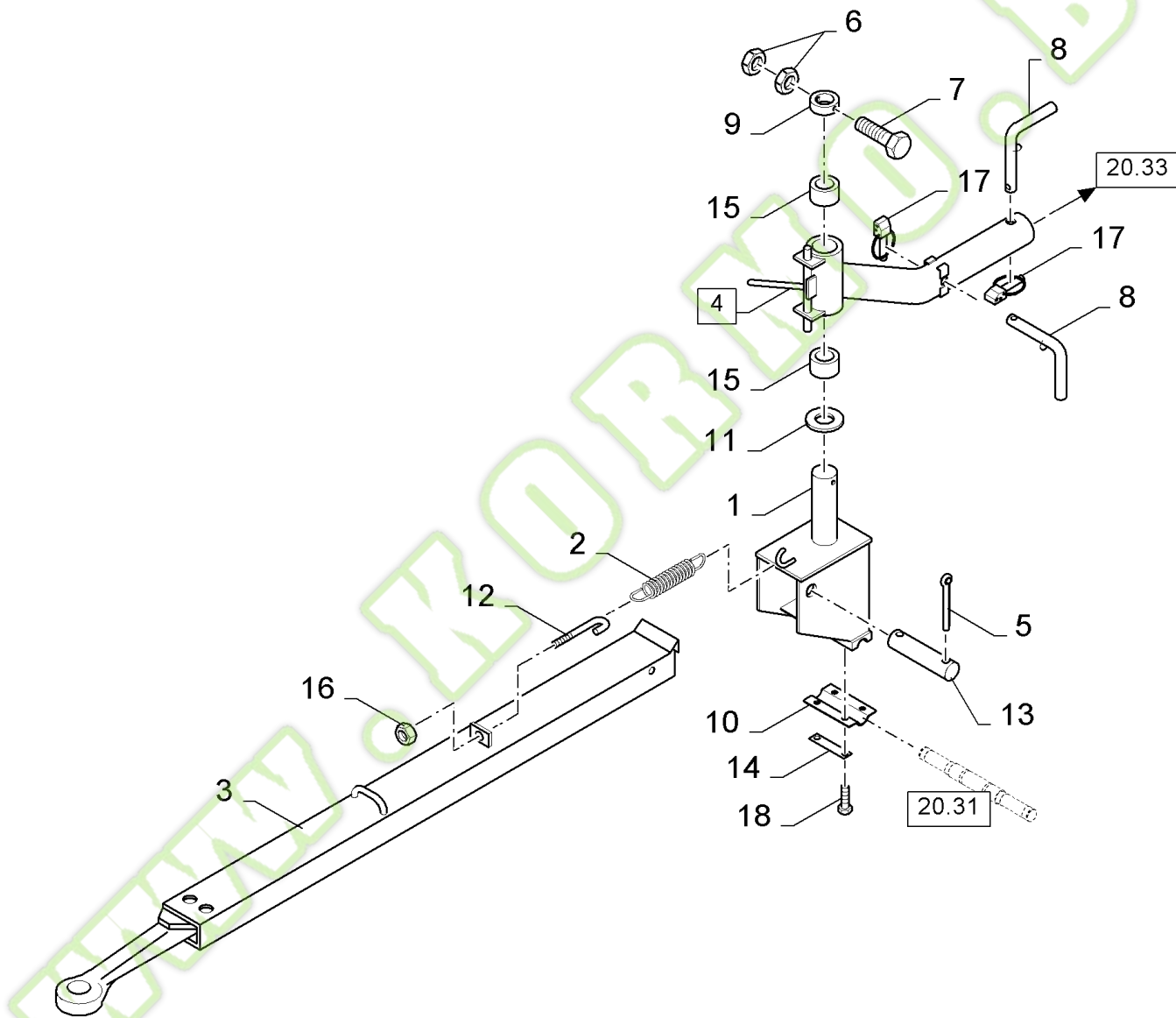
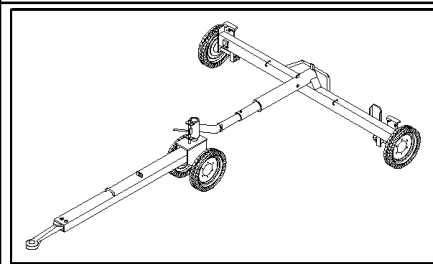


20.29(01) REFLECTOR

Ref	Part Number	Qty	Description
1	84818799	6	REFLECTOR,

WWW.KORMO.BY

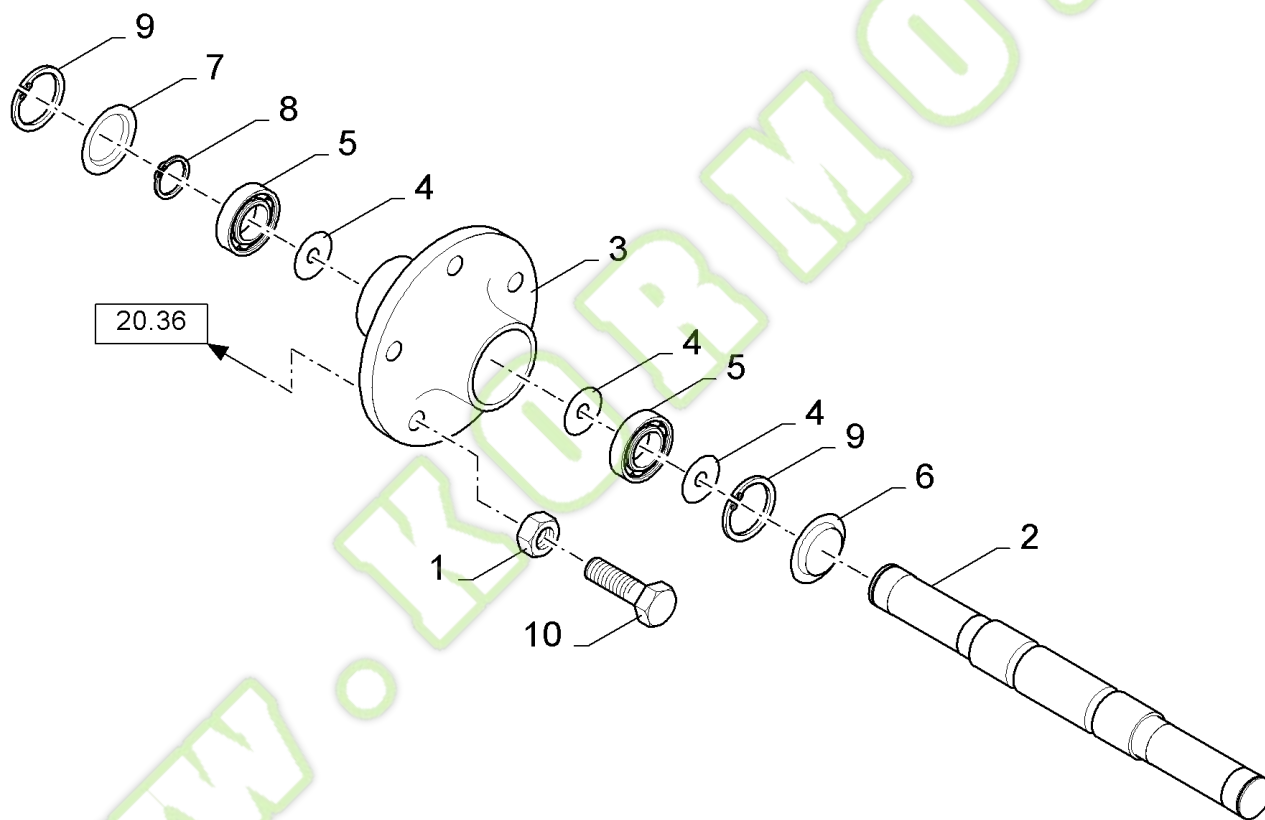
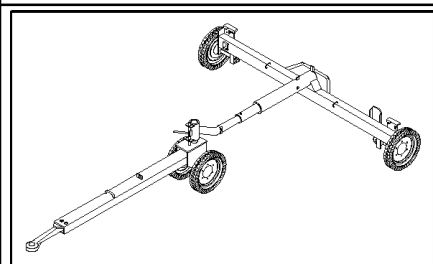
20.30(01) FRONT CARRIAGE



20.30(01) FRONT CARRIAGE

Ref	Part Number	Qty	Description
1	84429547	1	SUPPORT,
2	06703412	1	SPRING, TENSION, {PP:84429419}
3	20534237	1	DRAWBAR, {PP:84429565}
4	31019491	1	SUPPORT, {PP:84429595} (15)
5	89515820	2	PIN, SPLIT (COTTER),
6	825-1408	2	NUT, {PP:84429614} M8, CI 8, M8
7	412215	1	SCREW, {PP:80412215} Hex, M8 x 100, 8.8, M8x100
8	20312417	2	PIN, {PP:84429544}
9	20312618	1	RING, {PP:84429545}
10	20312763	1	CLAMP, {PP:84429548}
11	20312634	1	WASHER, {PP:84429546}
12	06067450	1	EYEBOLT, {PP:84429393}
13	20534028	1	PIN, {PP:84818740}
14	20313346	2	PLATE, LOCKING, {PP:84429553}
15	01325297	2	SLEEVE, {PP:84429349}
16	06113193	1	NUT, {PP:84018179} M12
17	04000468	2	PIN, LOCK, {PP:84429384}
18	300388	4	SCREW, {PP:80300388} Hex, M12 x 25, 8.8, M12x25

20.31(01) FRONT AXLE

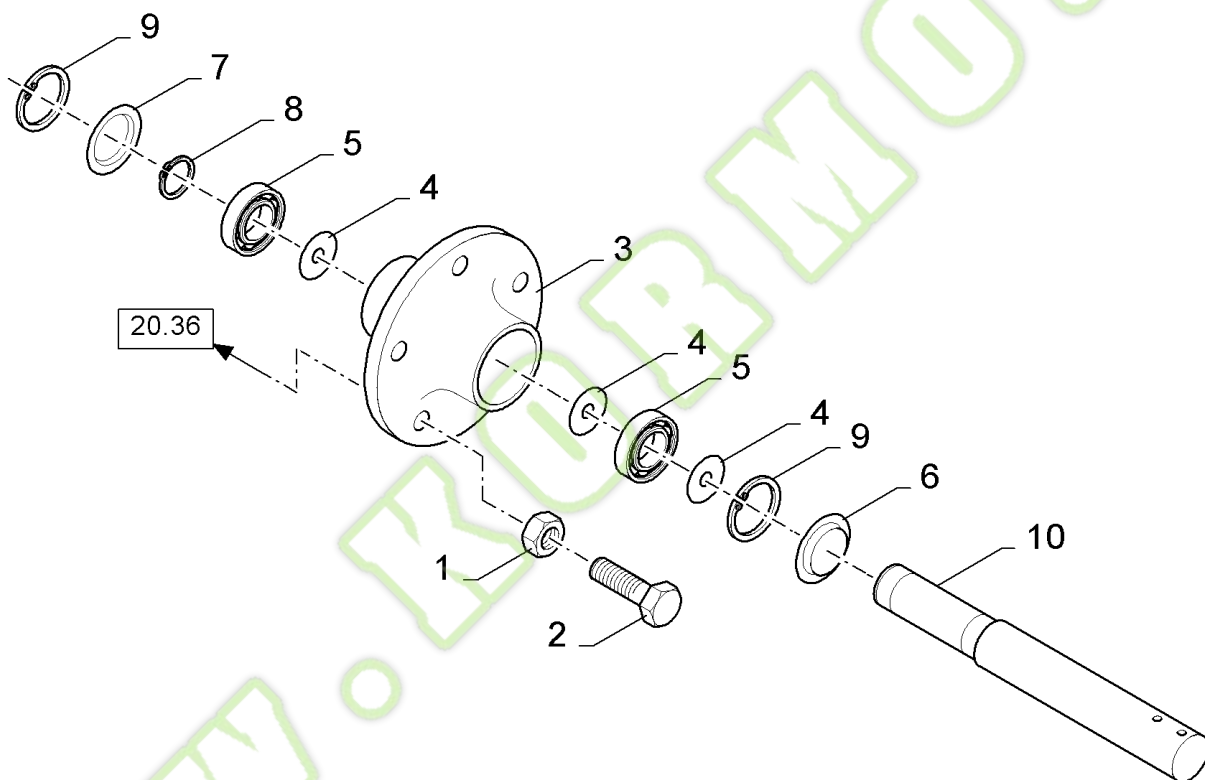
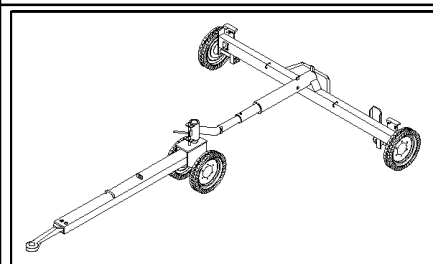


20.31(01) FRONT AXLE

Ref	Part Number	Qty	Description
1	06111560	10	NUT, {PP:84429394}
2	20312796	1	AXLE, FRONT, {PP:84429549}
3	20085784	2	HUB, {PP:84429519}
4	20085792	6	SEAL WASHER, {PP:84818840}
5	03651363	4	BEARING ASSY, {PP:84429364}
6	20312802	2	SEAL, {PP:84429550}
7	20312810	2	COVER, {PP:84429351}
8	80300642	2	CIRCLIP,
9	800-2162	4	CIRCLIP, {PP:84429607}
10	07638145	10	RHEOSTAT, {PP:84429433}

WWW.KORMO.BY

20.32(01) WHEEL BEARING

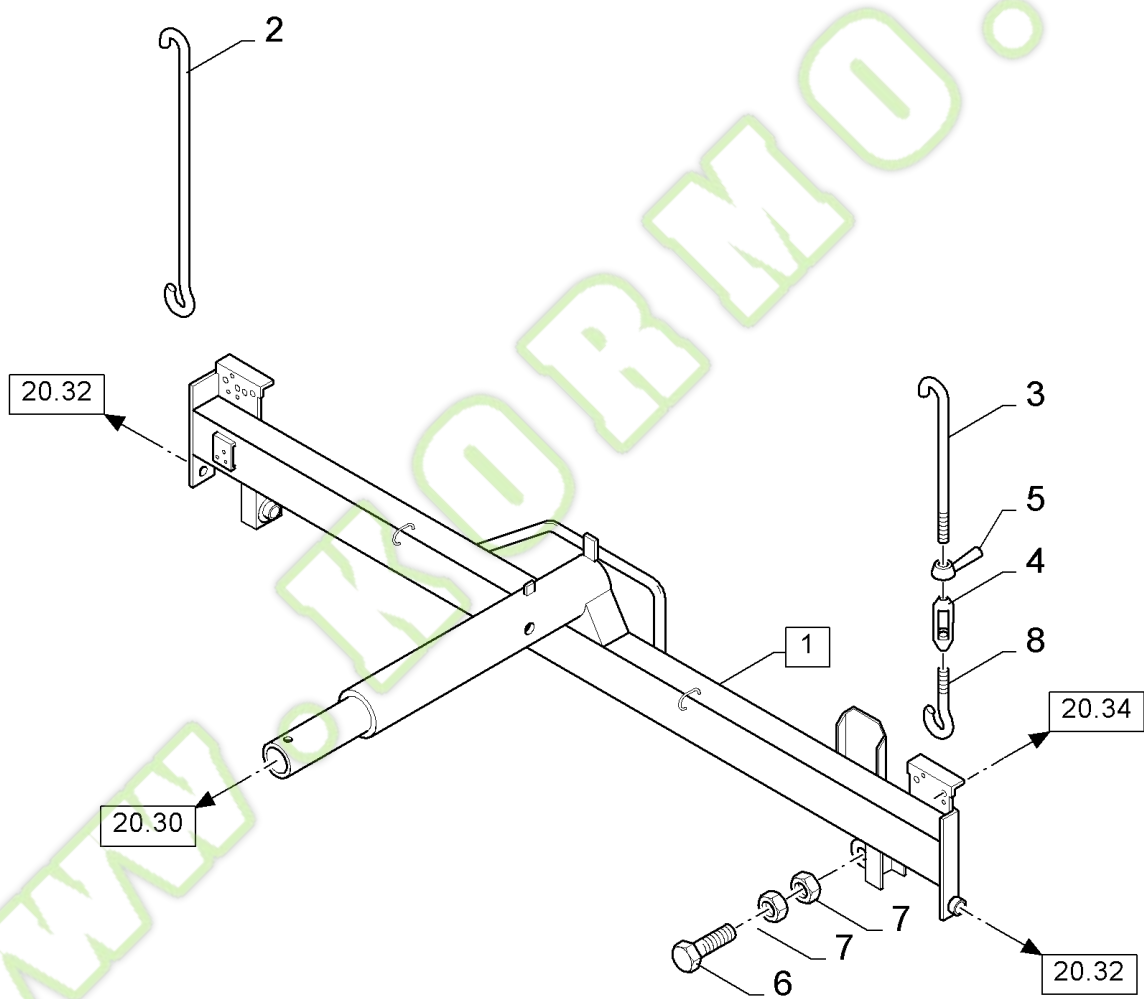
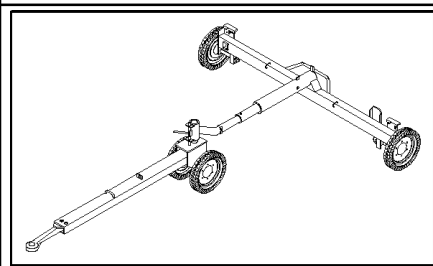


20.32(01) WHEEL BEARING

Ref	Part Number	Qty	Description
1	06111560	10	NUT, {PP:84429394}
2	07638145	10	RHEOSTAT, {PP:84429433}
3	20085784	2	HUB, {PP:84429519}
4	20085792	6	SEAL WASHER, {PP:84818840}
5	03651363	4	BEARING ASSY, {PP:84429364}
6	20312802	2	SEAL, {PP:84429550}
7	20312810	2	COVER, {PP:84429351}
8	80300642	2	CIRCLIP,
9	800-2162	4	CIRCLIP, {PP:84429607}
10	20534622	2	AXLE-SHAFT, {PP:84429567}

WWW.KORMO.BY

20.33(01) REAR CARRIAGE

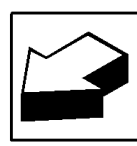
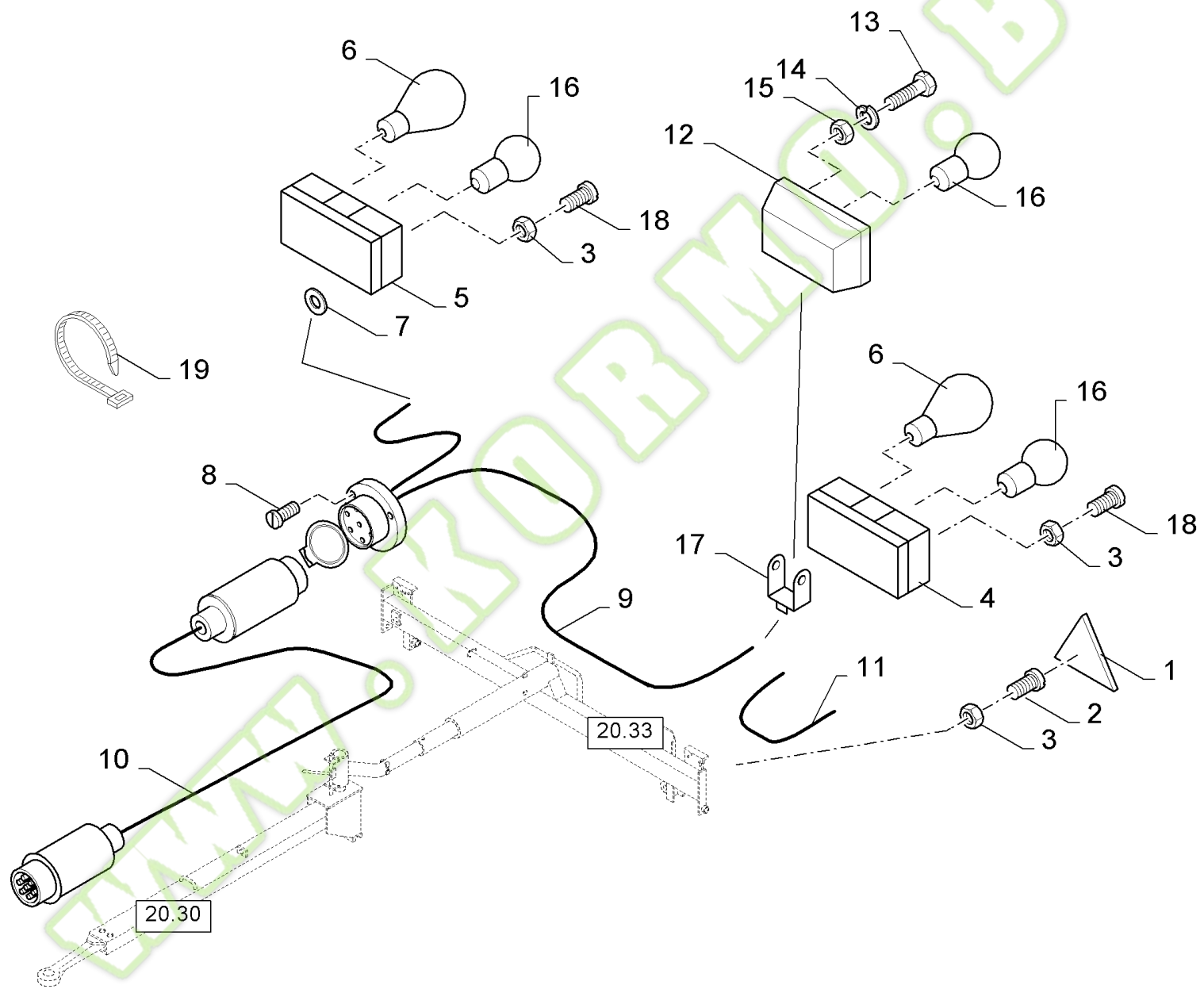
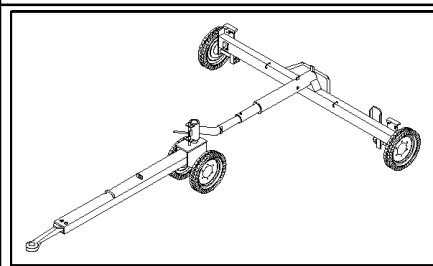


20.33(01) REAR CARRIAGE

Ref	Part Number	Qty	Description
1	31019547	1	FRAME, {PP:84429596} (2,8)
2	20313338	1	TENSIONER, {PP:84818841}
3	20313065	1	ROD, THREADED, {PP:84429551}
4	06113835	1	LINK BLOCK, {PP:84429395}
5	06606050	1	HANDLE, {PP:84429411}
6	814-10075	2	BOLT, {PP:15215121} Hex, M10 x 75, 8.8, M10x75
7	825-1410	4	NUT, {PP:84429615} M10, Cl 8, M10
8	20534245	1	EYEBOLT, {PP:84429566}

WWW.KORMO.BY

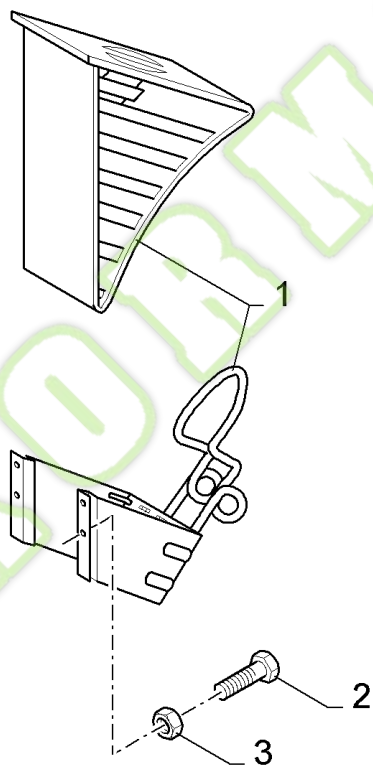
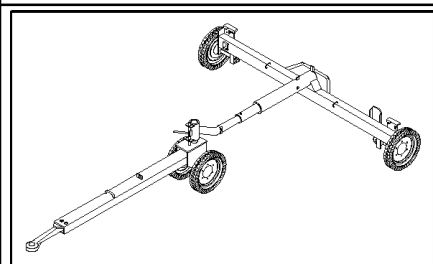
20.34(01) ELECTRICAL EQUIPMENT



20.34(01) ELECTRICAL EQUIPMENT

Ref	Part Number	Qty	Description
1	04022746	2	REFLECTOR, {PP:84429388}
2	06019820	4	SCREW, {PP:84429392} M5x16
3	84429398	8	NUT, M5
4	07067706	1	LIGHT, TAIL, {PP:84429426}
5	07067714	1	LIGHT, TAIL, {PP:84429427}
6	07024794	4	BULB, {PP:84429424}
7	21427450	2	WASHER, {PP:84429572}
8	412625	3	SCREW, {PP:80412625} Cross Pan Hd, M5 x 25, M5x25
9	03929833	1	HARNESS, WIRE, {PP:84429383}
10	07076282	1	HARNESS, {PP:84429431}
11	07076305	1	CABLE, {PP:84429432}
12	07067747	1	LAMP, {PP:84429428}
13	80062265	2	SCREW, M4x12
14	06454975	2	WASHER, LOCK, {PP:12035371} 4MM
15	84429613	2	NUT, M4
16	07067683	3	BULB, {PP:84429425}
17	07071487	2	CONNECTION, {PP:84429430}
18	06004002	4	SCREW, {PP:84429391} M5x16
19	07069900	4	CABLE, {PP:84429429}

20.35(01) WHEEL WEDGE

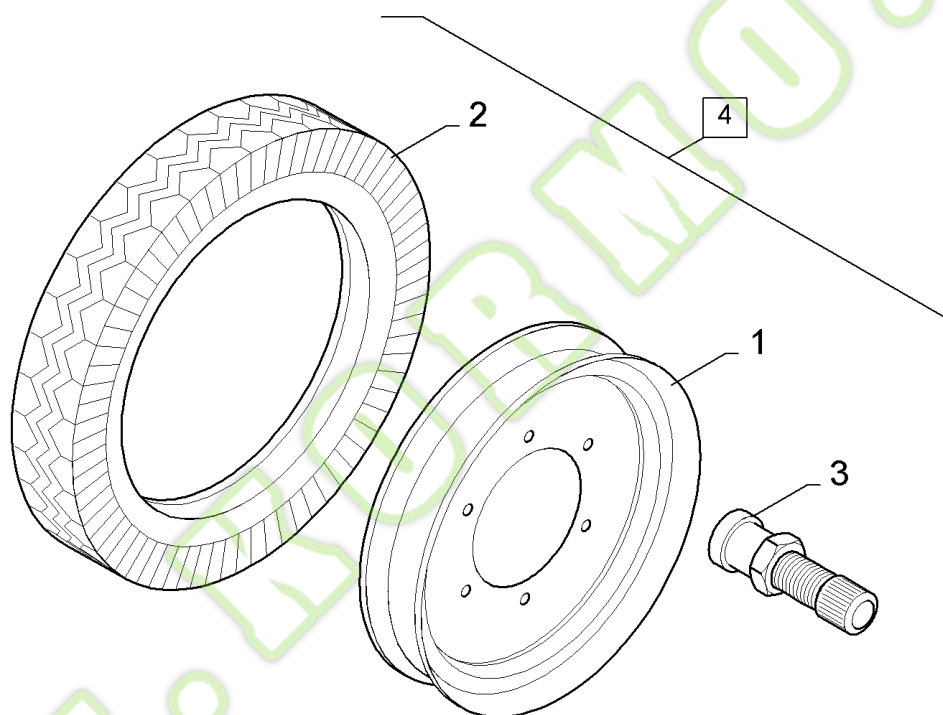
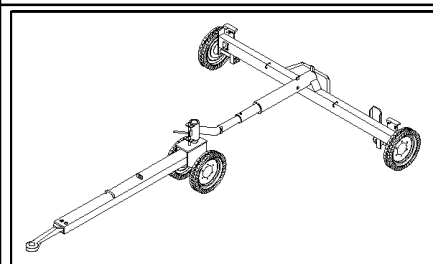


20.35(01) WHEEL WEDGE

Ref	Part Number	Qty	Description
1	04009154	1	WHEEL CHOCK, {PP:84429386}
2	80412116	4	BOLT, M8x16
3	825-1408	4	NUT, {PP:84429614} M8, CI 8, M8

WWW.KORMO.BY

20.36(01) TIRES (21X4TL)

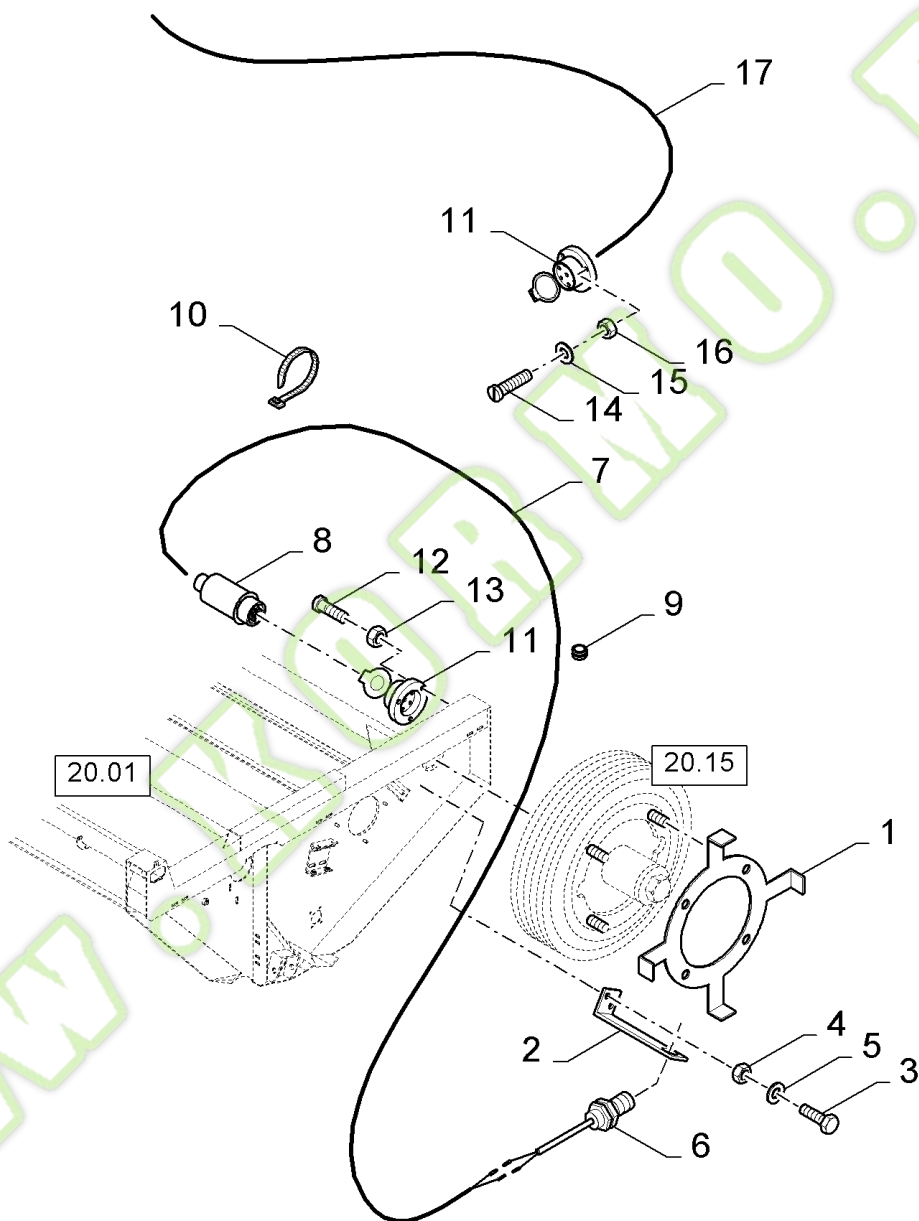
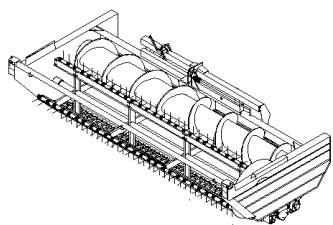


20.36(01) TIRES (21X4TL)

Ref	Part Number	Qty	Description
1	04022754	4	RIM, {PP:84429389}
2	84429350	4	TYRE/TIRE,
3	04022762	4	VALVE, PNEUMATIC, {PP:84429390}
4	84818798	4	WHEEL ASSY, (1 to 3)

WWW.KORMO.BY

20.37(01) DRIVE CONTROL



20.37(01) DRIVE CONTROL

Ref	Part Number	Qty	Description
1	84818771	1	WASHER, SPECIAL,
2	84818772	1	HOLDER,
3	614-6016	2	BOLT, {PP:84818876} Hex, M6 x 16, 8.8, M6x16
4	84818886	2	NUT, M6
5	84818818	2	WASHER, SPECIAL, 6MM
6	84056994	1	SENSOR,
7	84818866	1	CABLE,
8	84818870	1	CONNECTOR,
9	84818777	1	GROMMET,
10	84818830	5	CABLE,
11	398224	2	SOCKET, POWER, {PP:80398224}
12	84818800	3	SCREW, M5x35
13	84818885	3	NUT, M5
14	84819273	3	SCREW, M4x40
15	322355	3	WASHER, LOCK, {PP:80322355} Belleville, M4, 4MM
16	84429613	3	NUT, M4
17	84446466	1	HARNESS, WIRE,

WWW.KORMO.BY