

# **Attachments**

## **for FX-48**

---

**300N6 6-ROW CORNHEADER (HYDRO VERSION) (1/99- )**

**300N6 NH 6-ROW CORN HEAD FOR FX SERIES (NON HYDRO)**

**300N6X NH 6-ROW CORN HEAD FOR FX -96 - SERIES**

**340WX WINDROW PICK-UP - FOR FX-96-SERIES**

**350WX WINDROW PICK-UP - FOR FX-96-SERIES**

**360N4 NH 4-ROW CORN HEAD FOR FX SERIES**

**360N4X NH 4-ROW CORN HEAD FOR FX - 96 - SERIES**

**600N8 NH 8-ROW CORN HEAD FOR FX SERIES**

**600N8X NH 8-ROW CORN HEAD FOR FX -96 - SERIES**

**DC510 DIRECT CUT HEADER, FROM S\_N 593000001 ONWARDS (5\_00- )**

**F3BE0684E\*B001 ENGINE - 500365700 - 84432796 (6/01- )**

**RI450 ROW INDEPENDENT CORNHEADER - UNTIL S\_N 513168296 (9\_00- )**

**RI600 ROW INDEPENDENT CORNHEADER - UNTIL S\_N 523168114 (5\_01- )**

MAIN SECTIONS

SECTIONS PRINCIPALES

SECCIONES PRINCIPALES

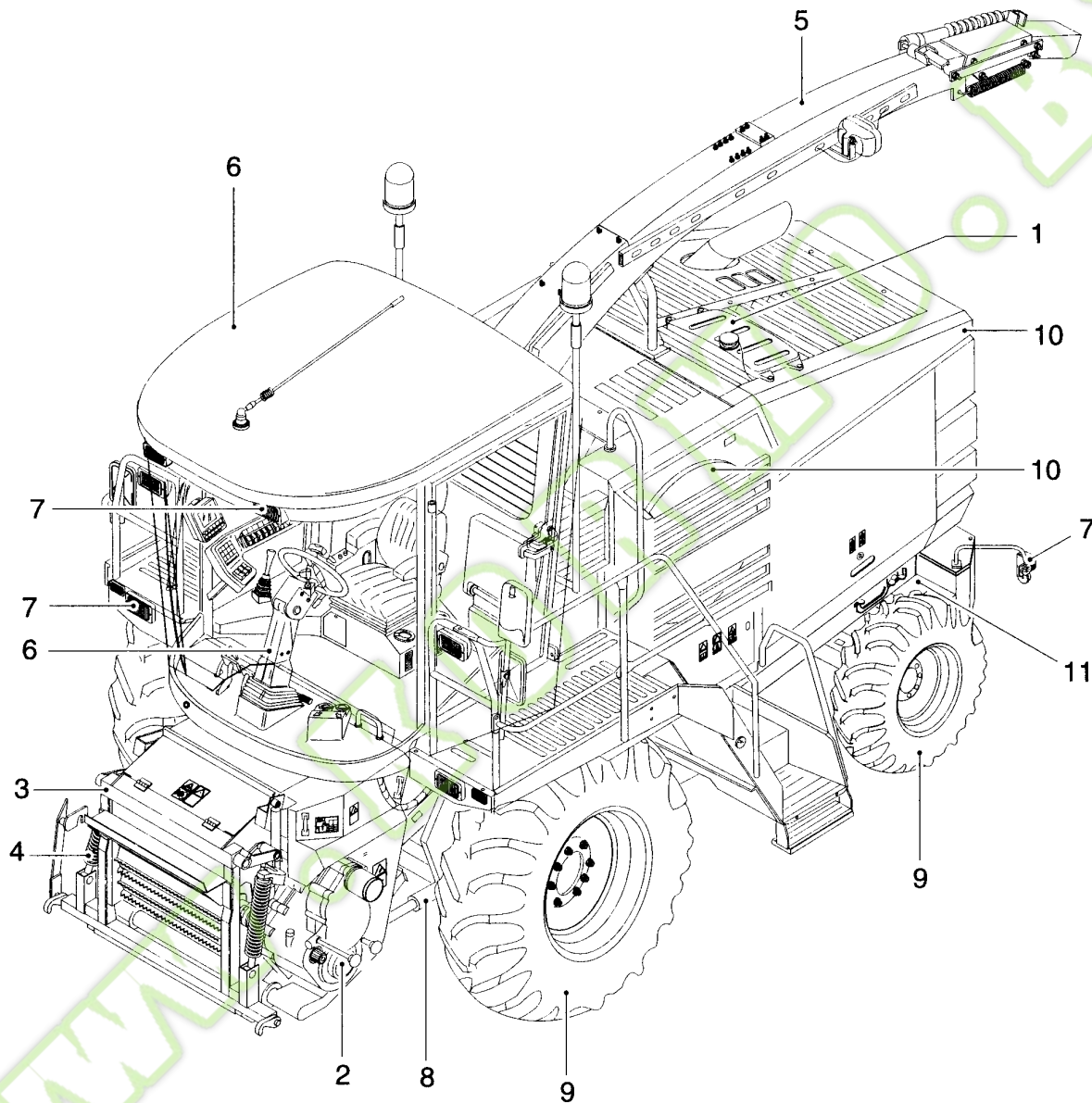
HOVEDAFSNIT

SEZIONI PRINCIPALI

HAUPTABSCHNITTE

SECÇÕES PRINCIPAIS

HOOFDSECTIES



Ref	Part Number	Qty	Description
<p>WWW.KORMO.BY</p>			

ENGINE

MOTEUR

MOTOR

MOTOR

MOTORE

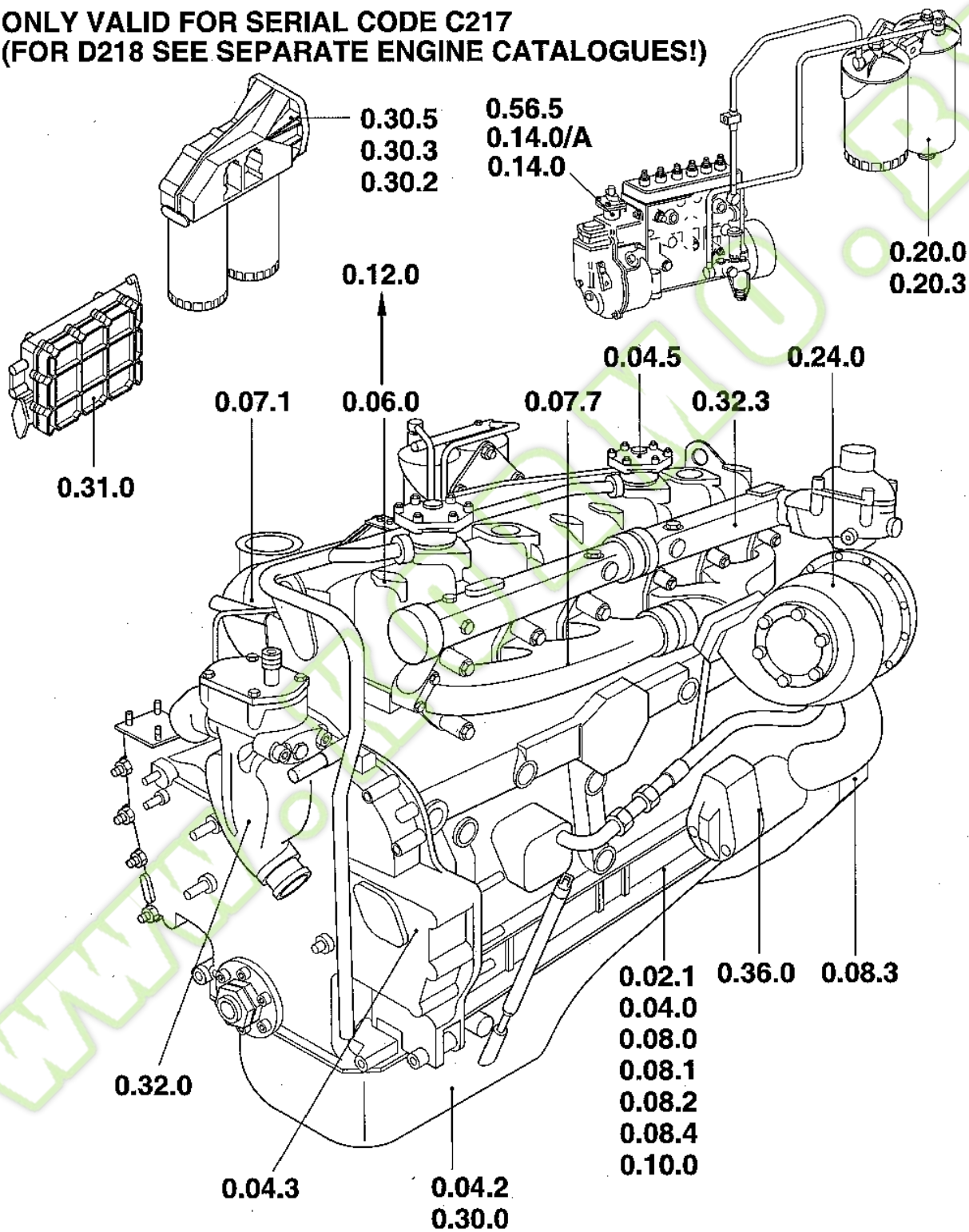
MOTOR

MOTOR

MOTOR

**SEC. 1**

**ONLY VALID FOR SERIAL CODE C217  
(FOR D218 SEE SEPARATE ENGINE CATALOGUES!)**



Ref	Part Number	Qty	Description
<p>WWW.KORMO.BY</p>			

ENGINE

MOTEUR

MOTOR

MOTOR

MOTORE

MOTOR

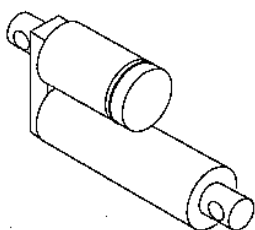
MOTOR

MOTOR

**SEC. 1**

**1.1**

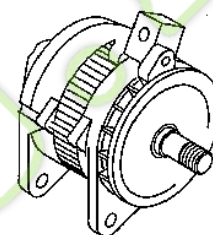
+ see separate engine catalogues for D218



**FX28-38-48 IVECO**

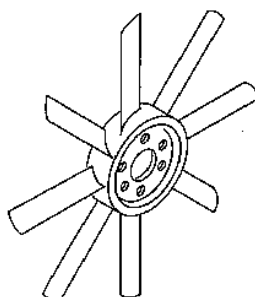
**1.2 → 1.4**

+ see separate engine catalogues for D218



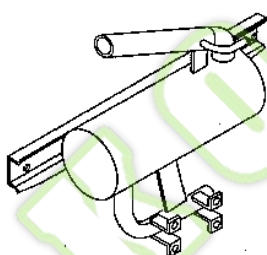
**1.5 → 1.6**

**1.51**



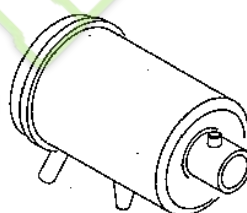
**1.7**

**1.52**



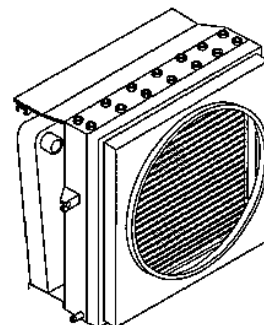
**1.8 → 1.9**

**1.52**

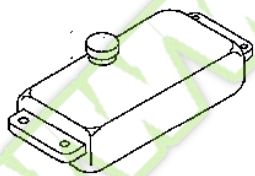


**1.11 → 1.16**

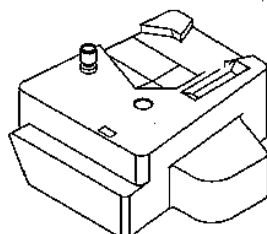
**1.53 → 1.59**



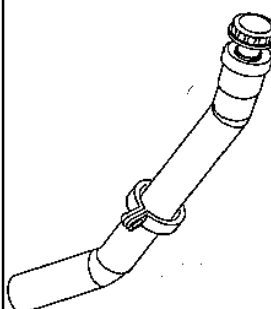
**1.17**



**1.20 → 1.22**

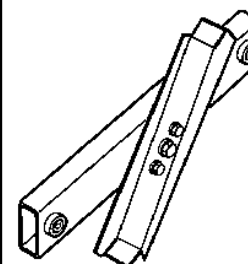


**1.19**

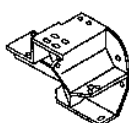


**1.23**

**1.56**



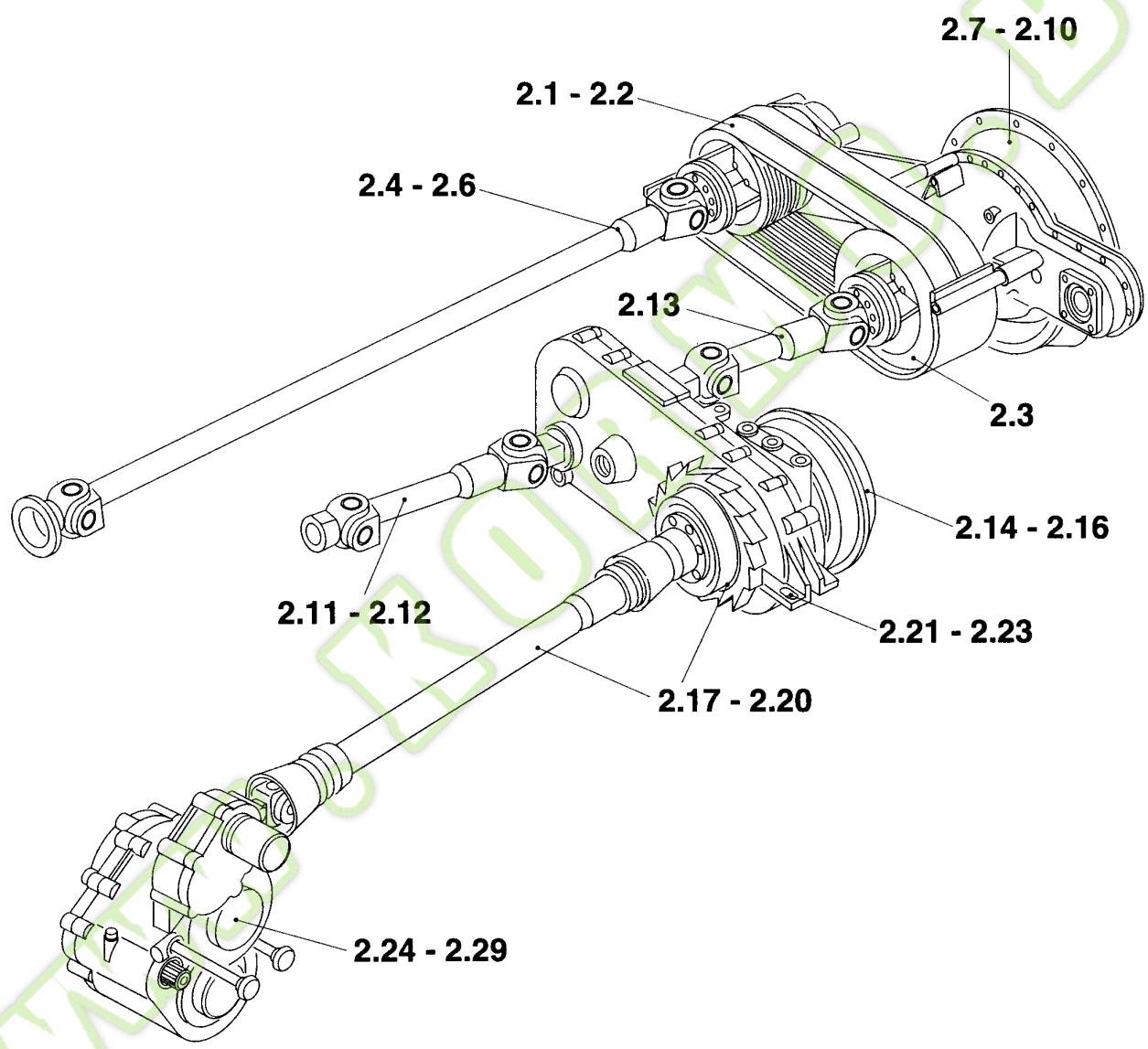
**1.10 1.60**  
**1.18 1.61**



Ref	Part Number	Qty	Description
<p>WWW.KORMO.BY</p>			

SECTIONS	SECTIONS	SECCIONES	AFSNIT
SEZIONI	ABSCHNITTE	SECÇÕES	SECTIES

**SEC. 2**





Ref	Part Number	Qty	Description
<p>WWW.KORMO.BY</p>			



SECTIONS

SECTIONS

SECCIONES

AFSNIT

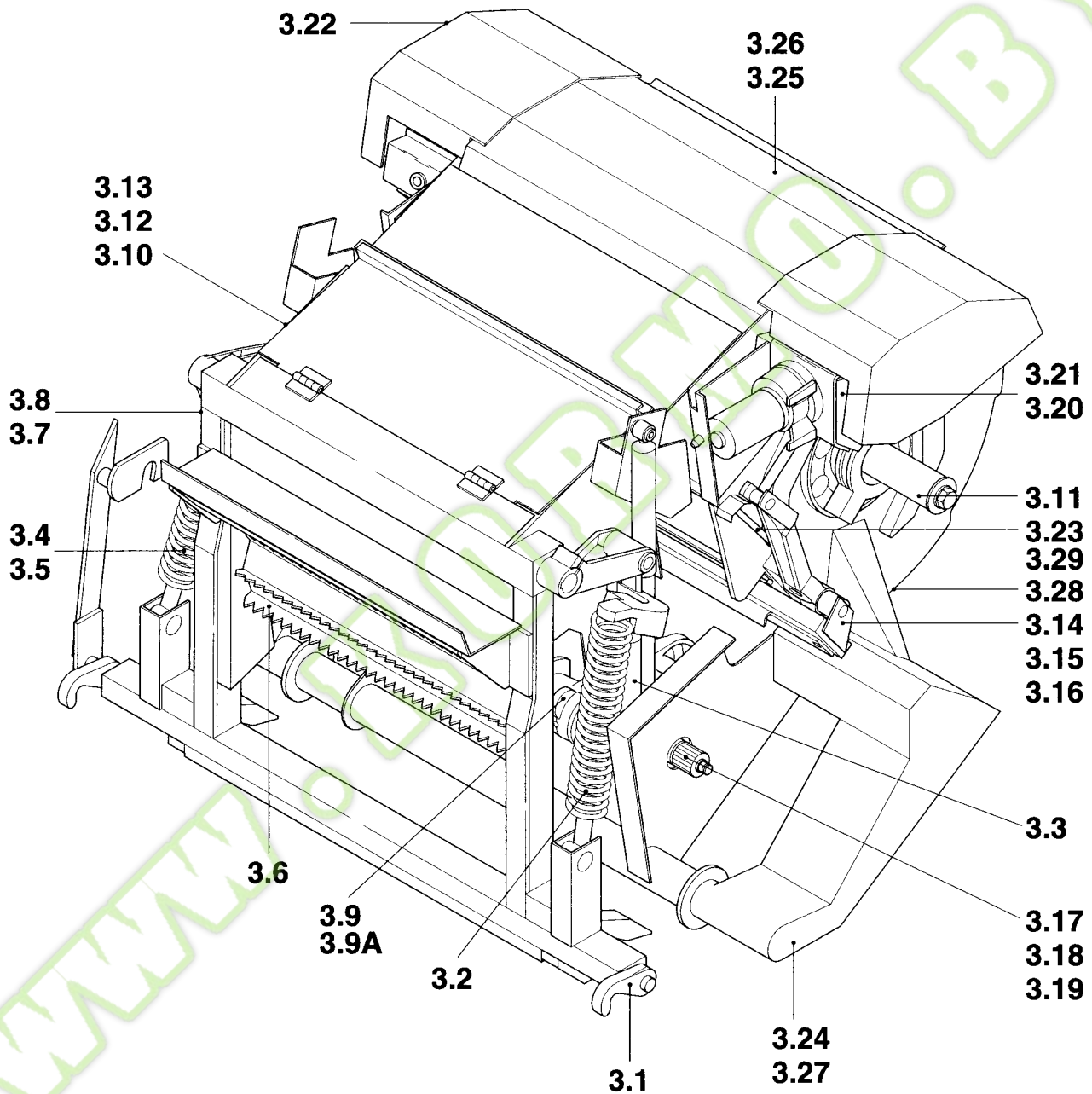
SEZIONI

ABSCHNITTE

SECÇÕES

SECTIES

**SEC. 3**



Ref	Part Number	Qty	Description
<p>WWW.KORMO.BY</p>			

SECTIONS

SECTIONS

SECCIONES

AFSNIT

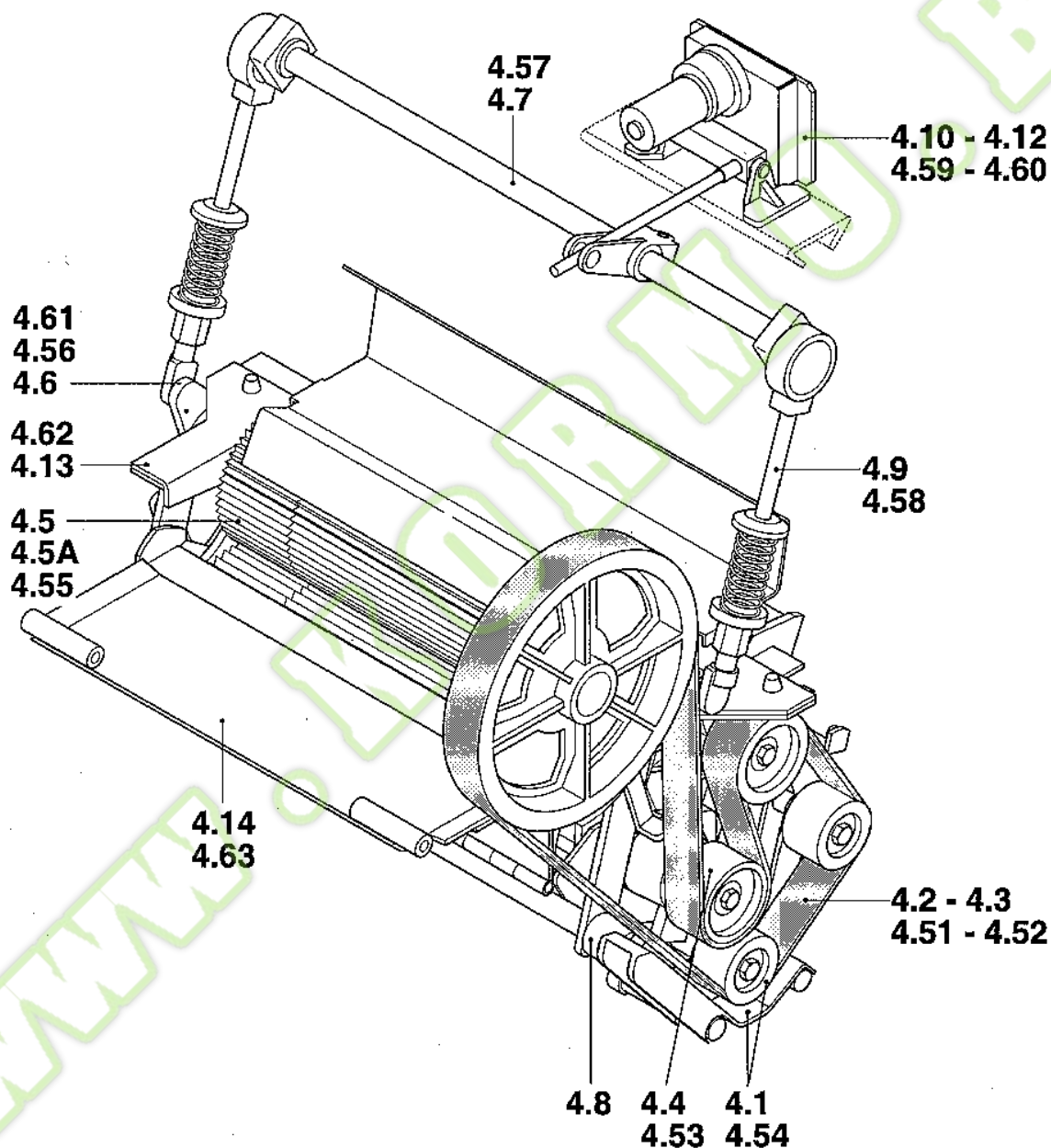
SEZIONI

ABSCHNITTE

SECÇÕES

SECTIES

**SEC. 4**



**Normal Crop processor: 4.1 - 4.15**

**Crop Pro Plus: 4.51 - 4.63**

Ref	Part Number	Qty	Description
<p>WWW.KORMO.BY</p>			



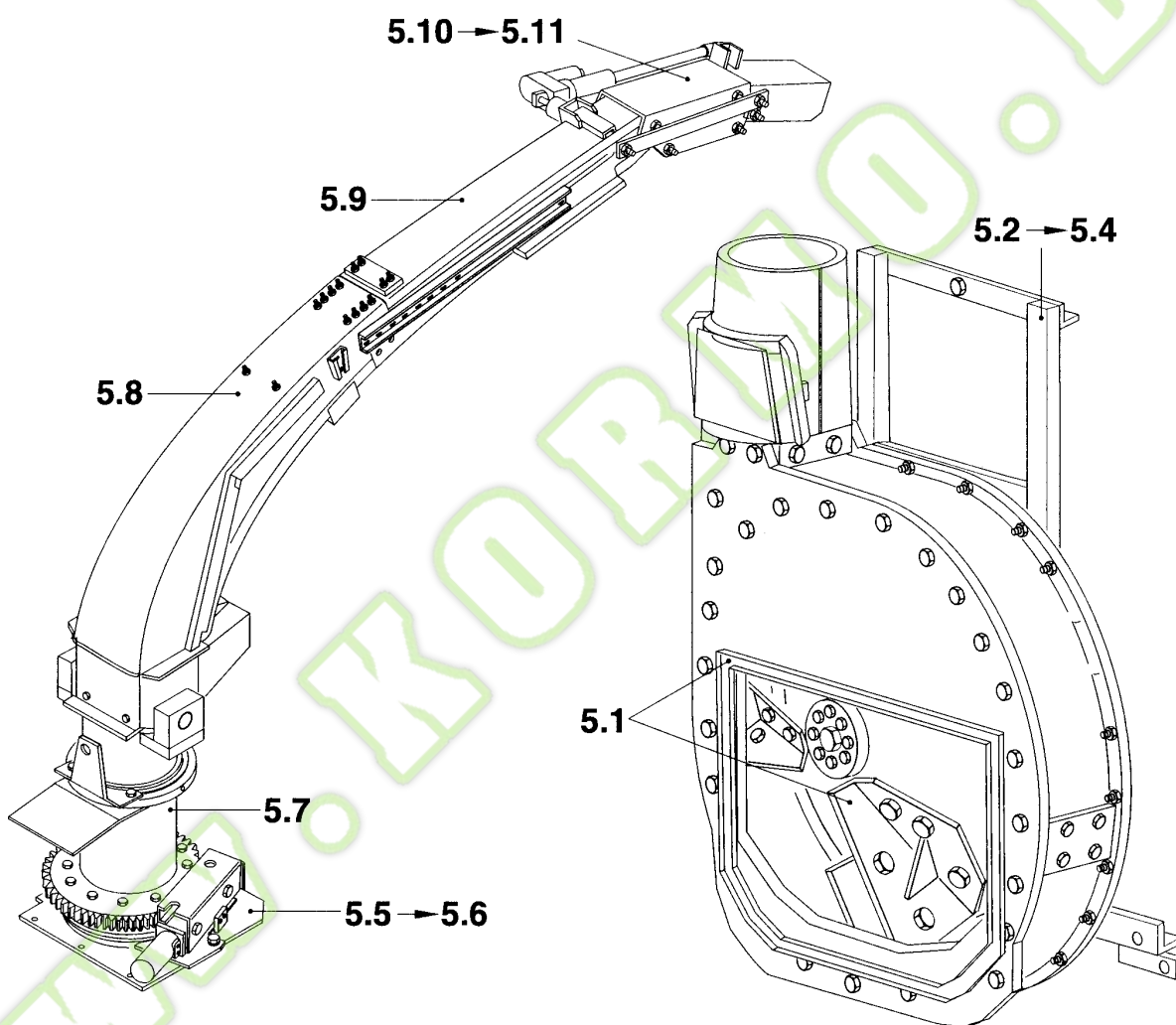
SECTIONS  
SEZIONI

SECTIONS  
ABSCHNITTE

SECCIONES  
SECÇÕES

AFSNIT  
SECTIES

**SEC. 5**



Ref	Part Number	Qty	Description
<p>WWW.KORMO.BY</p>			

SECTIONS

SECTIONS

SECCIONES

AFSNIT

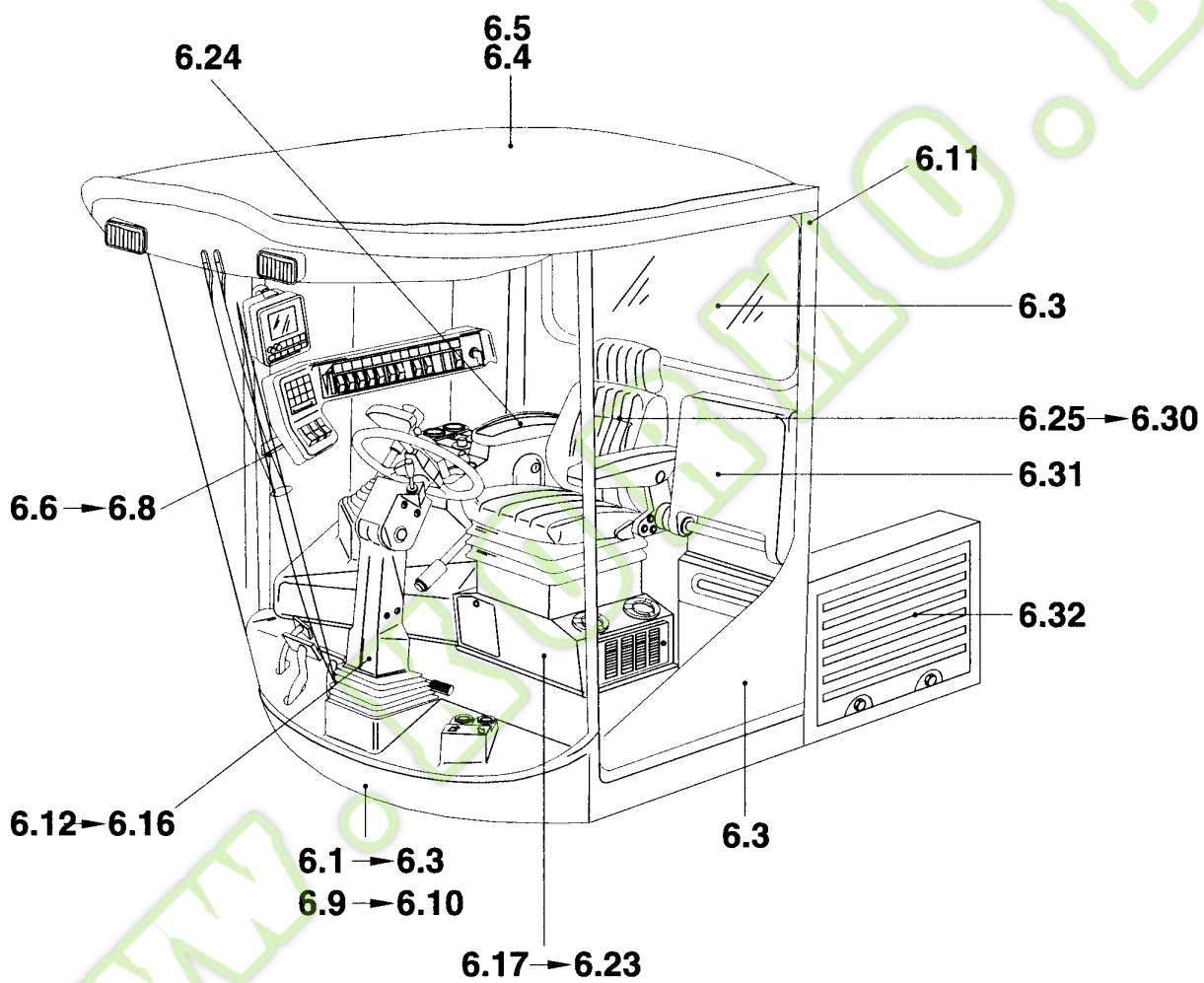
SEZIONI

ABSCHNITTE

SECÇÕES

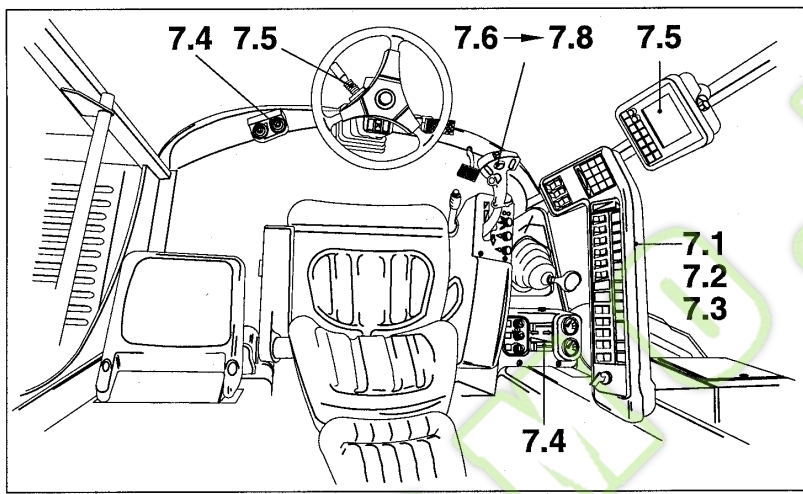
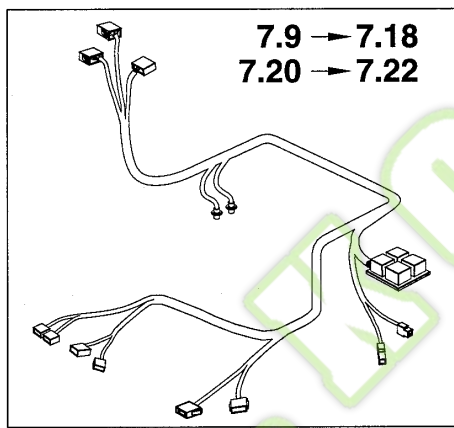
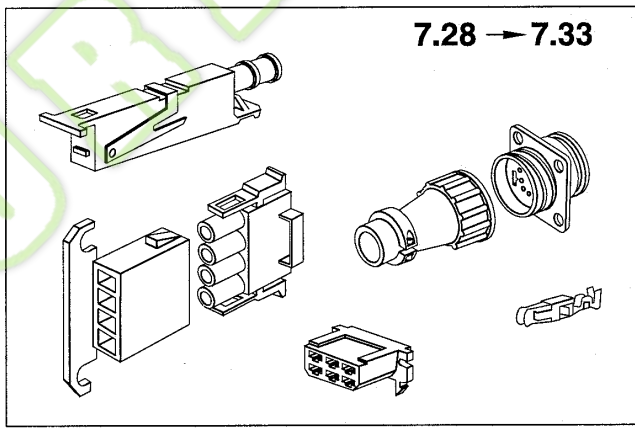
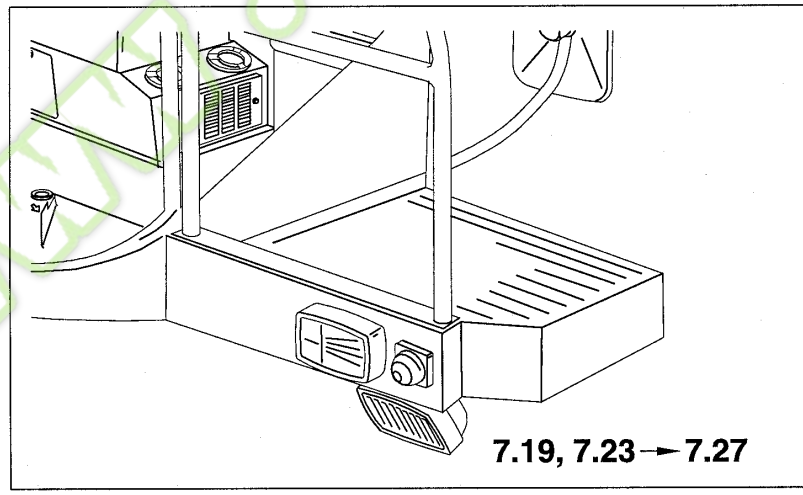
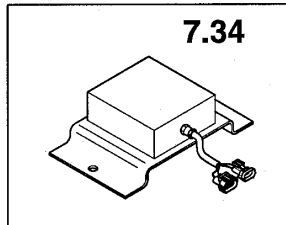
SECTIES

**SEC. 6**



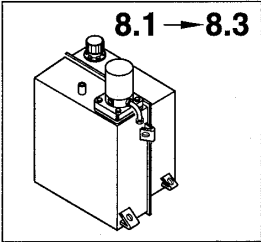
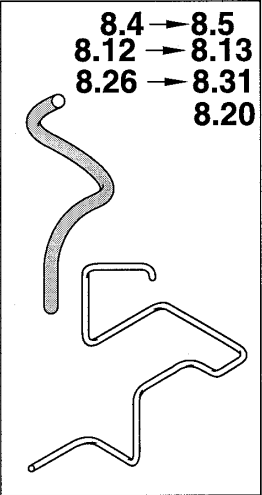
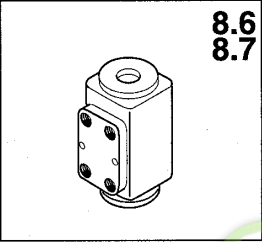
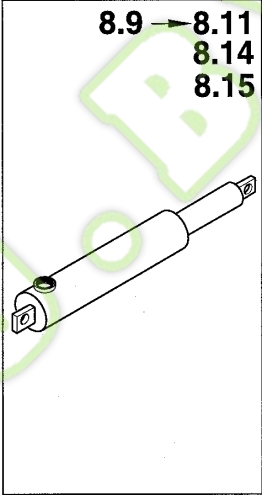
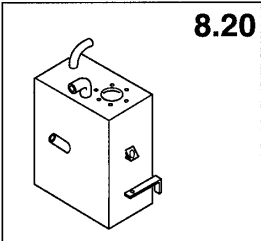
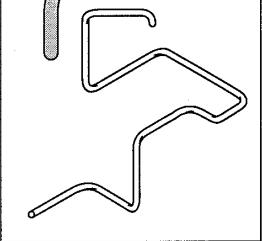
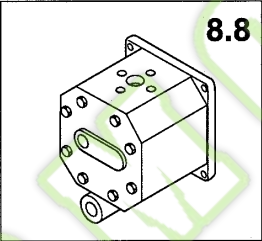
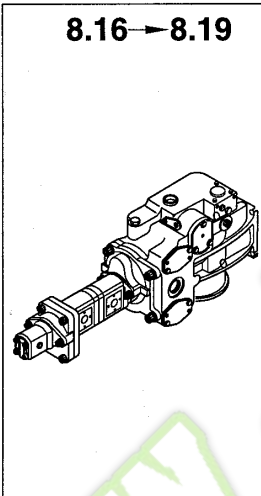
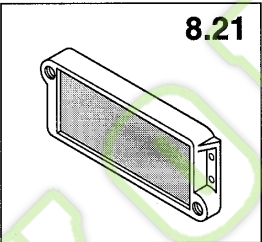
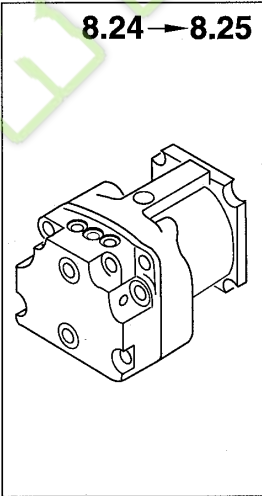
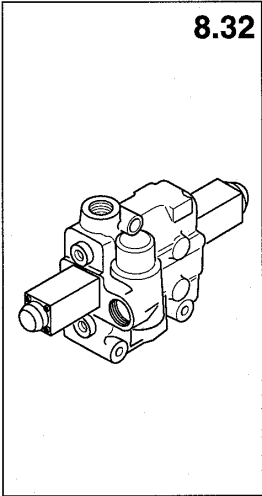
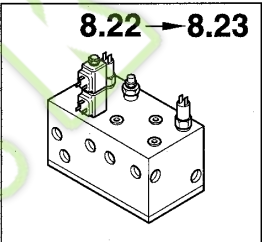
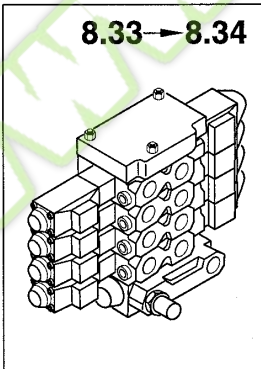
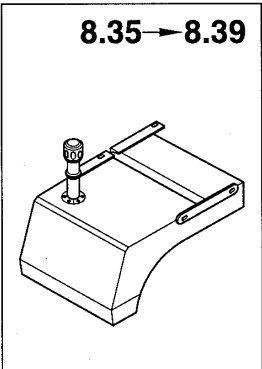
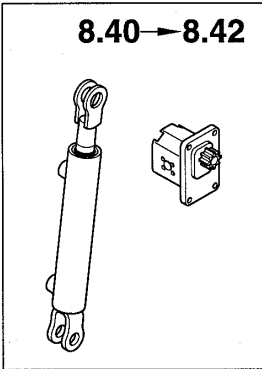
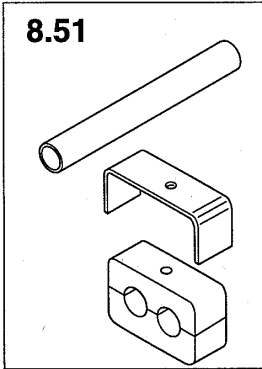


Ref	Part Number	Qty	Description
<p>WWW.KORMO.BY</p>			

SECTIONS	SECTIONS	SECCIONES	AFSNIT
SEZIONI	ABSCHNITTE	SECÇÕES	SECTIES
<b>SEC. 7</b>			
			
			
			



Ref	Part Number	Qty	Description
<p>WWW.KORMO.BY</p>			

SECTIONS SEZIONI	SECTIONS ABSCHNITTE	SECCIONES SECÇÕES	AFSNIT SECTIES
<b>SEC. 8</b>			
 8.1 → 8.3	 8.4 → 8.5 8.12 → 8.13 8.26 → 8.31 8.20	 8.6 8.7	 8.9 → 8.11 8.14 8.15
 8.20		 8.8	
 8.16 → 8.19	 8.21	 8.24 → 8.25	 8.32
	 8.22 → 8.23		
 8.33 → 8.34	 8.35 → 8.39	 8.40 → 8.42	 8.51

Ref	Part Number	Qty	Description
			

SECTIONS

SECTIONS

SECCIONES

AFSNIT

SEZIONI

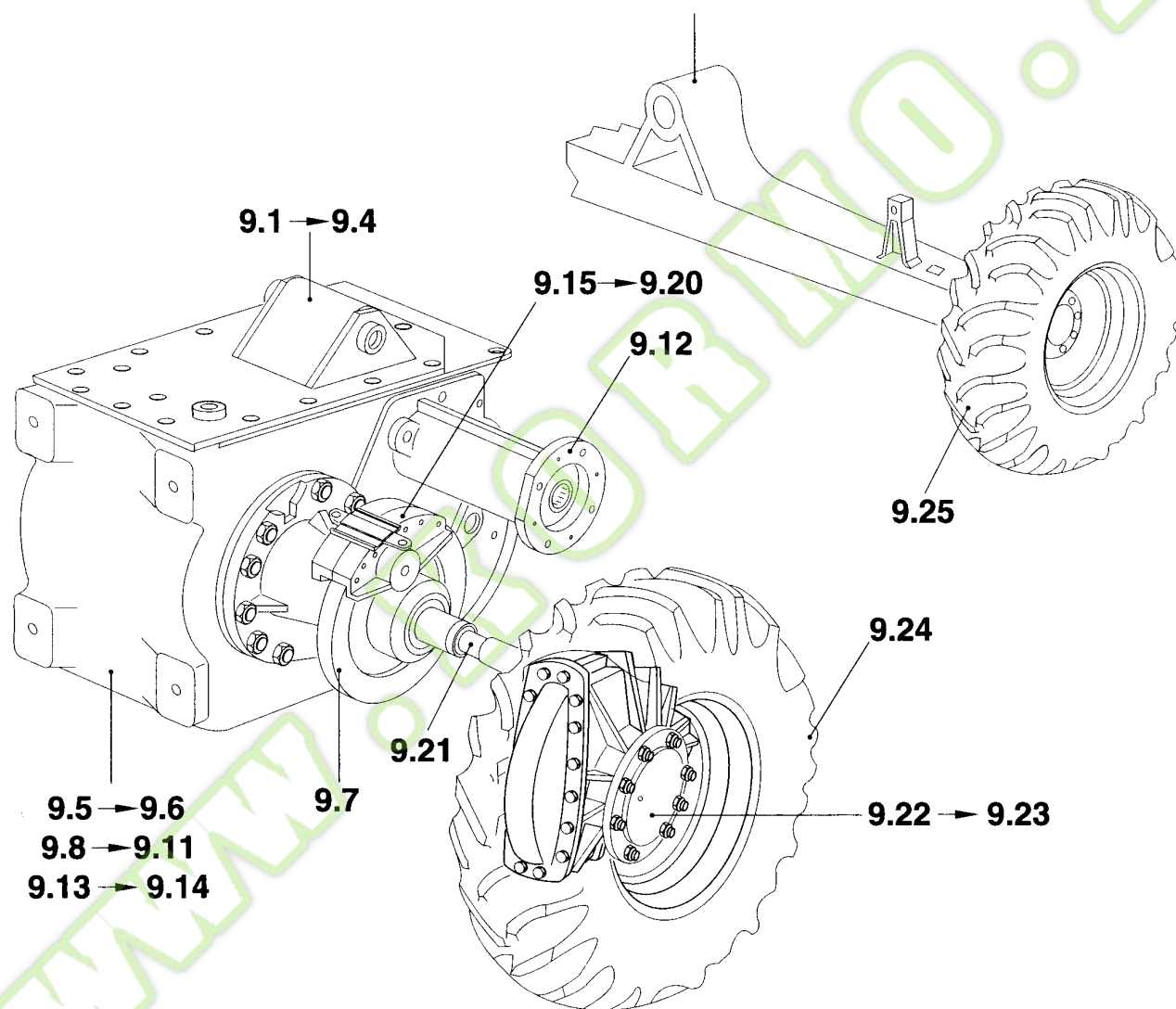
ABSCHNITTE

SECÇÕES

SECTIES

**SEC. 9**

9.26 → 9.27 (2 WD, FIXED)  
 9.28 → 9.38 (4 WD)  
 9.39 → 9.41 (2 WD, ADJUSTABLE)



Ref	Part Number	Qty	Description
<p>WWW.KORMO.BY</p>			

SECTIONS

SECTIONS

SECCIONES

AFSNIT

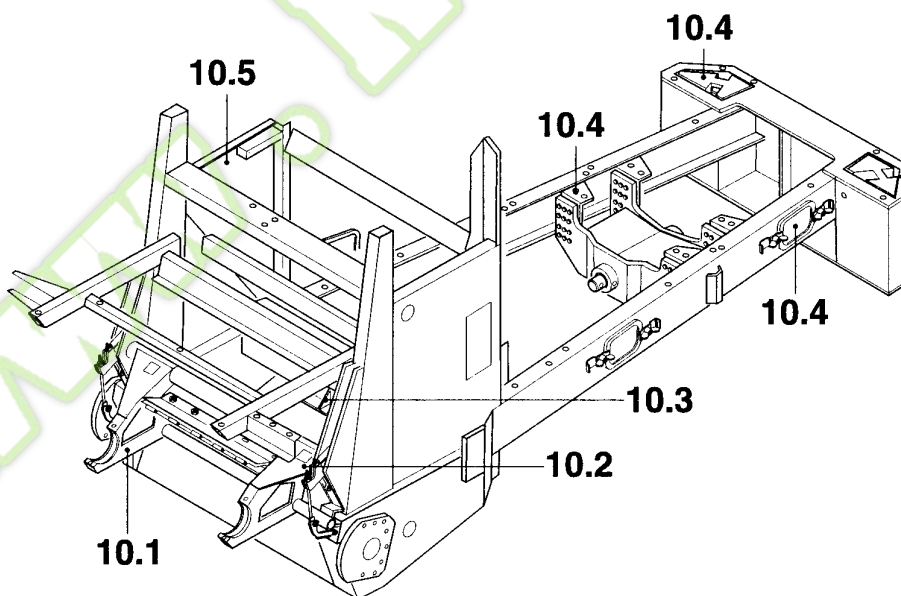
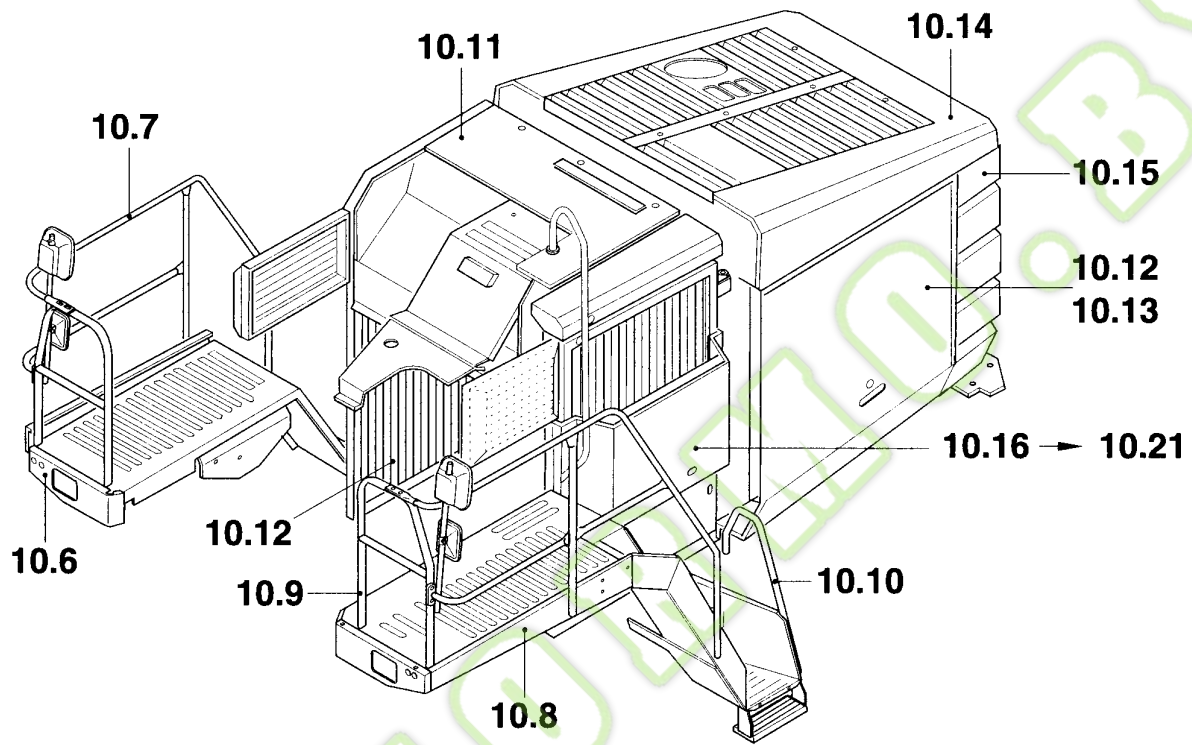
SEZIONI

ABSCHNITTE

SECÇÕES

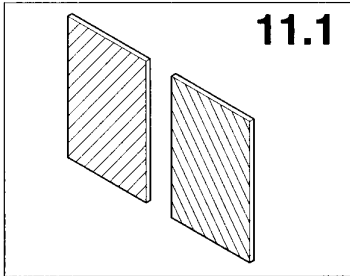
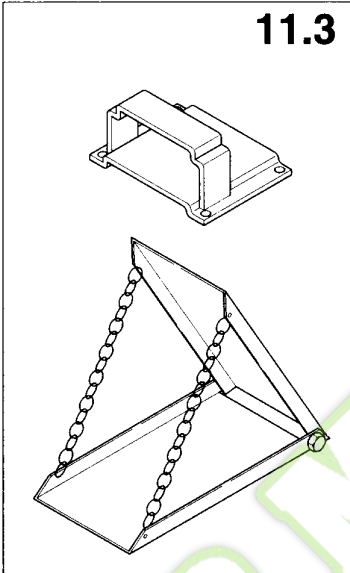
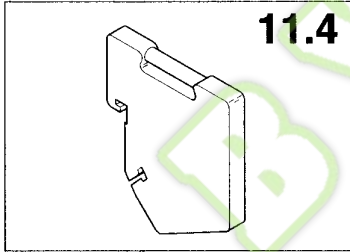
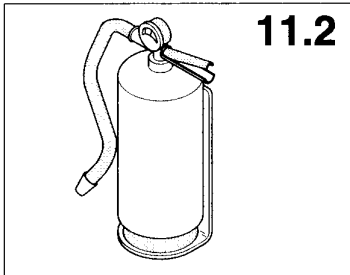
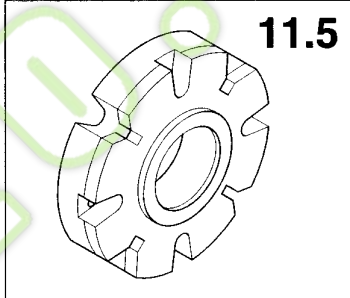
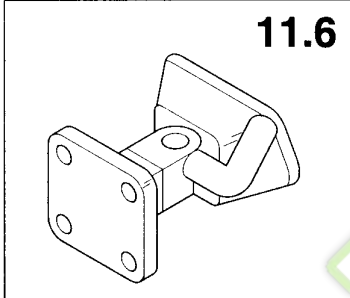
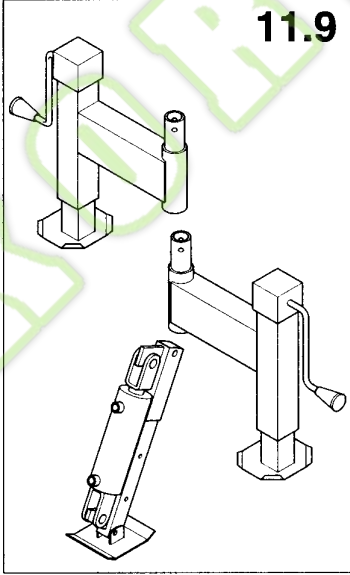
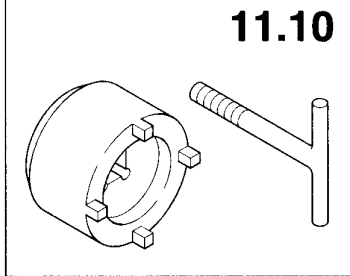
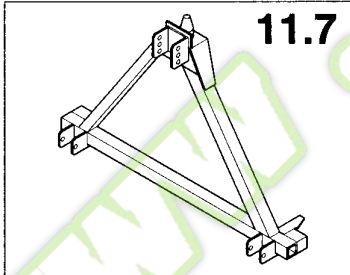
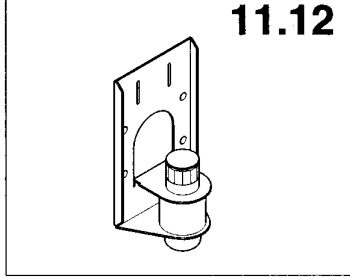
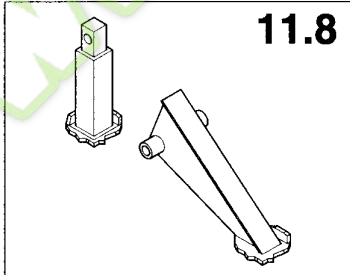
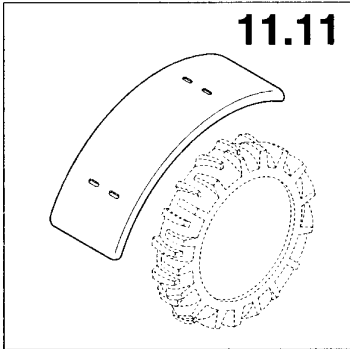
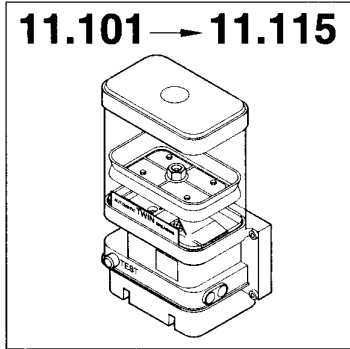
SECTIES

**SEC. 10**





Ref	Part Number	Qty	Description
<p>WWW.KORMO.BY</p>			

SECTIONS SEZIONI	SECTIONS ABSCHNITTE	SECCIONES SECÇÕES	AFSNIT SECTIES
			<b>SEC. 11</b>
 <b>11.1</b>	 <b>11.3</b>	 <b>11.4</b>	
 <b>11.2</b>	 <b>11.5</b>		
 <b>11.6</b>	 <b>11.9</b>	 <b>11.10</b>	
 <b>11.7</b>	 <b>11.12</b>		
 <b>11.8</b>	 <b>11.11</b>	 <b>11.101 → 11.115</b>	

Ref	Part Number	Qty	Description
<p>WWW.KORMO.BY</p>			

SECTIONS

SECTIONS

SECCIONES

AFSNIT

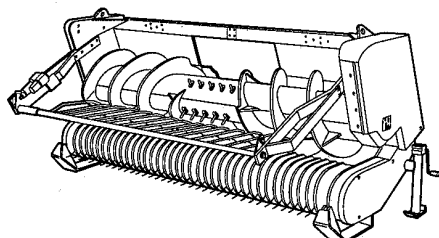
SEZIONI

ABSCHNITTE

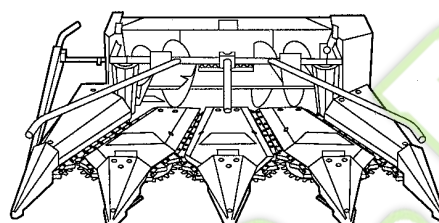
SECÇÕES

SECTIES

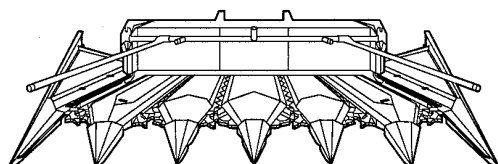
**SEC. 12**



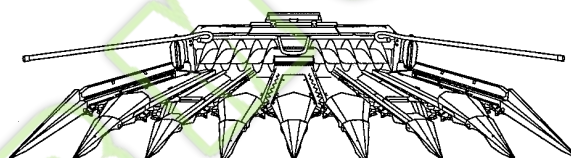
**345W-355W-365W: SEE CATALOGUE  
6032601700**



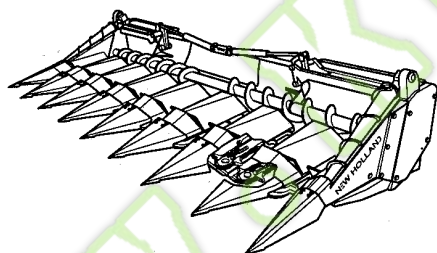
**360N4: SEE CATALOGUE  
6032602000**



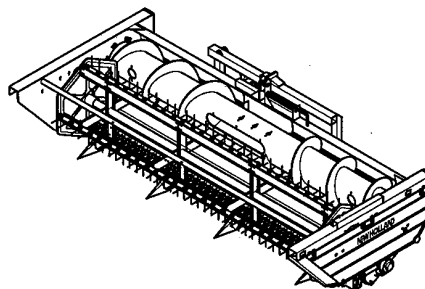
**300N6: SEE CATALOGUE  
6032602000 (C201)**



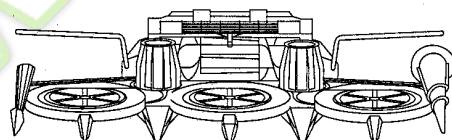
**600N8: SEE CATALOGUE  
6032602000 (C205)**



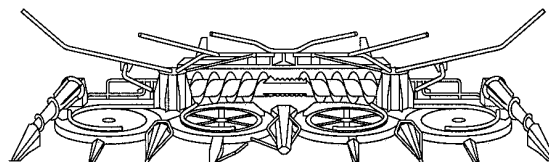
**986F: SEE CATALOGUE  
6032700700**



**DC510: SEE CATALOGUE  
6032602500**



**RI450: SEE CATALOGUE  
6032602600 (D206)**



**RI600: SEE CATALOGUE  
6032602600 (D206)**

Ref	Part Number	Qty	Description
<p>WWW.KORMO.BY</p>			

VERSION LIST  
ELENCO VERSIONI  
LISTE DE VERSION  
VERZEICHNIS DER VERSIONEN

LISTA DE VERSIONES  
LISTA DAS VERSÕES  
TYPELISTE  
LIJST VAN VERSIES

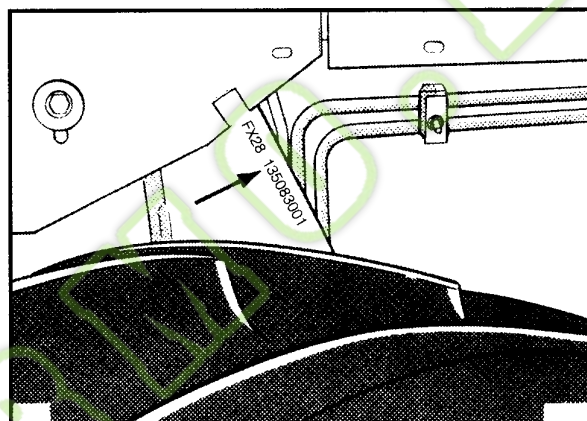
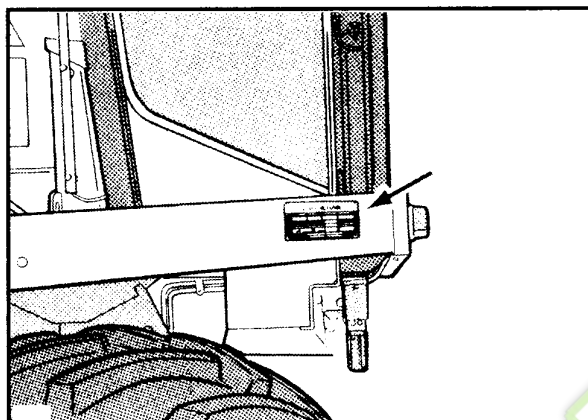
Vehicle Modello Modele Modells	Modelo Modelo Model Model	Chassi Telaio Chassis Fahrgestell	Chasis Armação Stativ Raam	Engine Motore Moteur Motor	Motor Motor Motor Motor
FX28		135.083.001			
FX28 NA		235.083.001			
FX38		145.083.001			
FX38 NA		245.083.001			
FX48		155.083.001			
FX58		165.083.001			
FX58 NA		265.083.001			

Ref	Part Number	Qty	Description
			

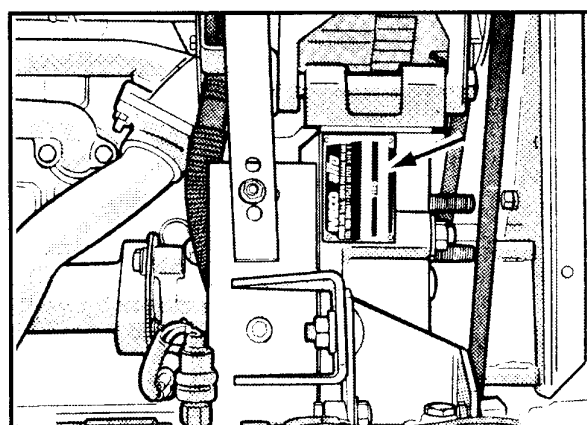
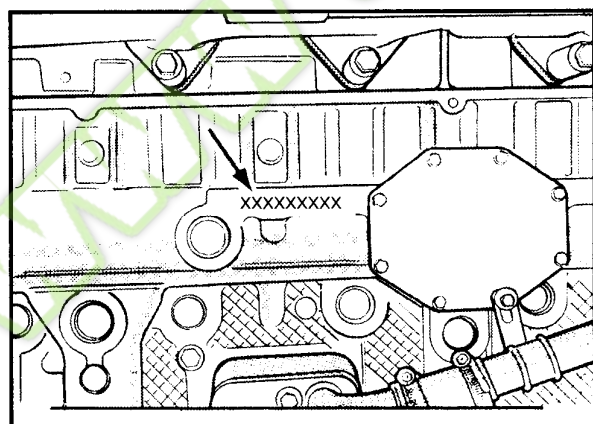
**IDENTIFICATION PLATES**  
**TARGHETTE DI IDENTIFICAZIONE**  
**PLAQUES D'IDENTIFICATION**  
**TYPENSCHILDER**

**PLACAS DE IDENTIFICACIÓN**  
**CHAPAS DE IDENTIFICAÇÃO**  
**IDENTIFIKATIONSPLADER**  
**IDENTIFICATIEPLATEN**

VEHICLE IDENTIFICATION  
IDENTIFICAZIONE MODELLO  
IDENTIFICATION MODELE  
KENNZEICHEN MODELLS  
IDENTIFICACION MODELO  
IDENTIFICAÇÃO DO MODELO  
MODELKENDINGSPLADE  
MODELIDENTIFICATIE



ENGINE IDENTIFICATION  
IDENTIFICAZIONE MOTORE  
IDENTIFICATION MOTEUR  
KENNZEICHEN MOTOR  
IDENTIFICACION MOTOR  
IDENTIFICAÇÃO DO MOTOR  
MOTORKENDINGSPLADE  
MOTORIDENTIFICATIE

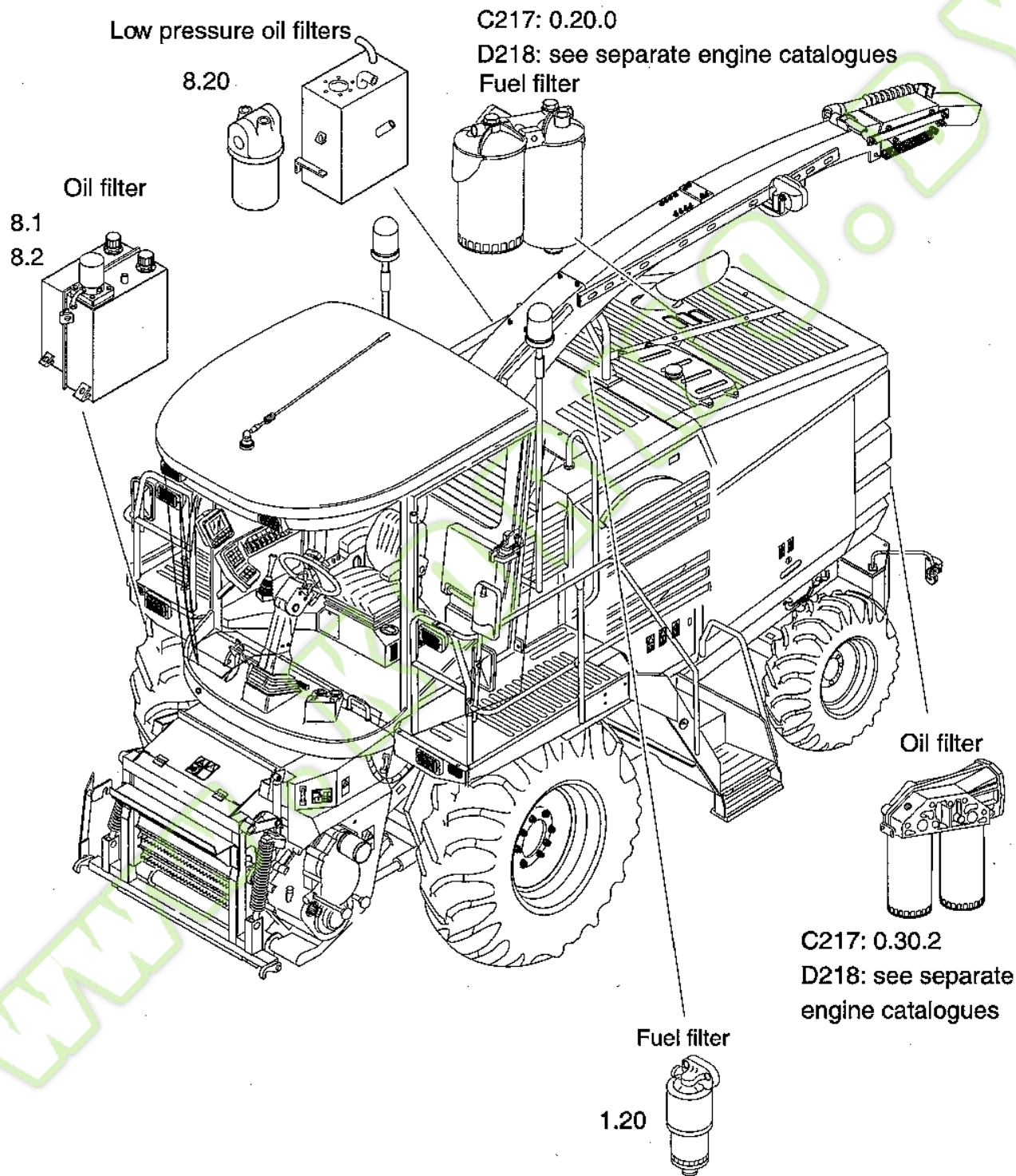




Ref	Part Number	Qty	Description
<p>WWW.KORMO.BY</p>			

MAINTENANCE PARTS  
PARTICOLARI PER LA MANUTENZIONE  
PIECES DE MAINTENANCE  
TEILE FÜR DIE INSTANDHALTUNG

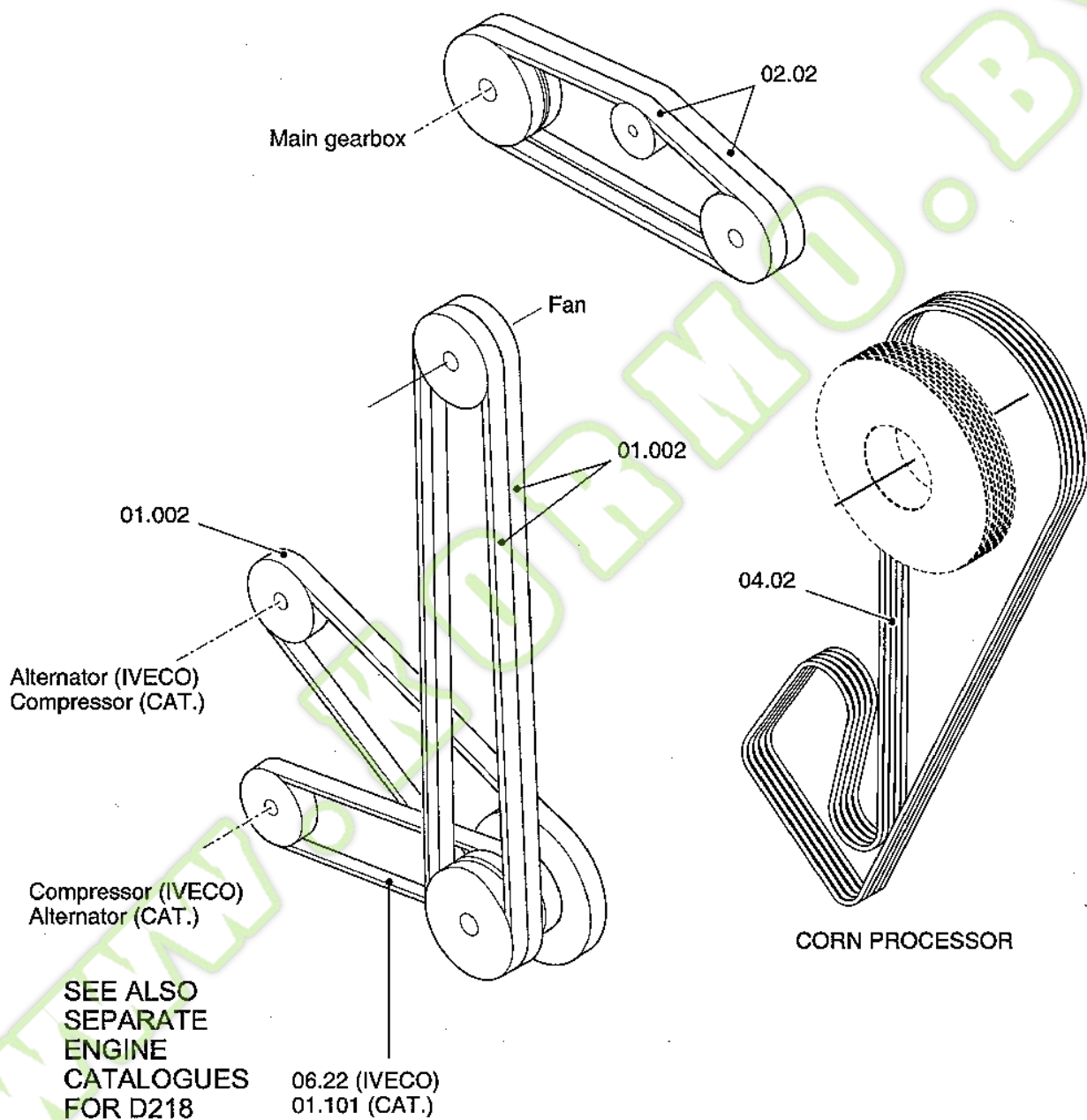
PIEZAS DE MANTENIMIENTO  
PEÇAS DE MANUTENÇÃO  
VEDLIGEHOLDELSESEDELE  
ONDERDELEN VOOR ONDERHOUD



Ref	Part Number	Qty	Description
<p>WWW.KORMO.BY</p>			

MAINTENANCE PARTS  
PARTICOLARI PER LA MANUTENZIONE  
PIECES DE MAINTENANCE  
TEILE FÜR DIE INSTANDHALTUNG

PIEZAS DE MANTENIMIENTO  
PEÇAS DE MANUTENÇÃO  
VEDLIGEHOULDESESEDELE  
ONDERDELEN VOOR ONDERHOUD



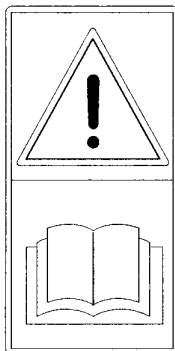
Ref	Part Number	Qty	Description
	84074273		AR SET OF BELTS,
	84036579		AR SET OF BELTS, , FOR FX28 NA ONLY
	84022807		AR BELT, TRANSMISSION, IVECO
	452023		AR SET OF BELTS, {PP:80452023} CAT.
	84043106		AR BELTS, SET OF 2,
	89835815		AR BELT, TRANSMISSION, IVECO
	432642		AR BELT, TRANSMISSION, {PP:80432642} CAT.
	84435248		AR BELT, TRANSMISSION,

WWW.KORMO.BY

DECALS  
 DECALCOMANIE  
 DÉCALCOMANIE  
 ABZIEHBILDER

CALCOMANÍAS  
 DECALCOMANIAS  
 MÆRKATER  
 PLAKPLAATJES

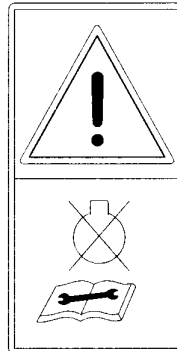
84004731



84004732



84004733



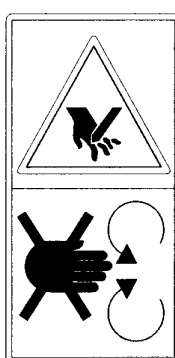
84004734



84004735



84004738



84004742

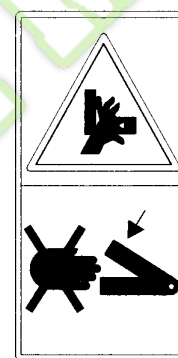


84004744

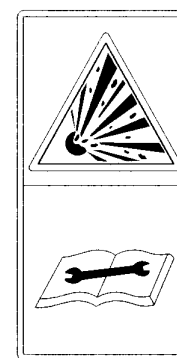
Background yellow



84011346



84005363

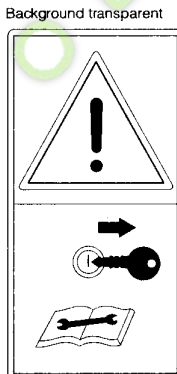


84012892

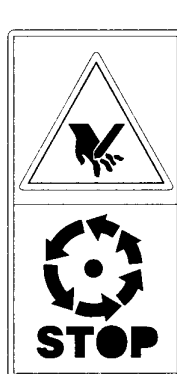


84012893

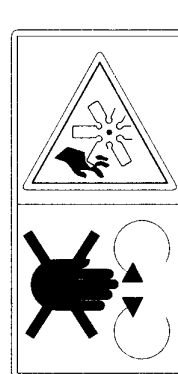
Background transparent



84014117



84015359



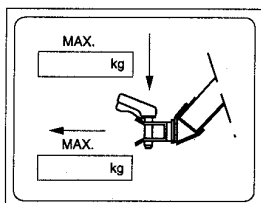
Ref	Part Number	Qty	Description
	84004731		AR DECAL,
	84004732		AR DECAL,
	84004733		AR DECAL,
	84004734		AR DECAL,
	84004735		AR DECAL,
	84004738		AR DECAL,
	84004742		AR DECAL,
	84004744		AR DECAL,
	84011346		AR DECAL,
	84005363		AR DECAL,
	84012892		AR DECAL,
	84012893		AR DECAL,
	84014117		AR DECAL,
	84015359		AR DECAL,

WWW.KORMO.BY

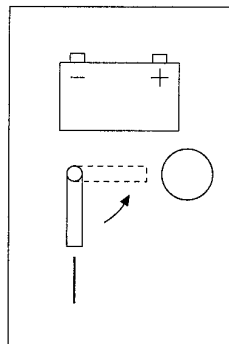
**DECALS**  
**DECALCOMANIE**  
**DÉCALCOMANIE**  
**ABZIEHBILDER**

**CALCOMANÍAS**  
**DECALCOMANIAS**  
**MÆRKATER**  
**PLAKPLAATJES**

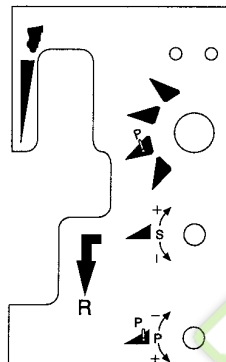
84018585



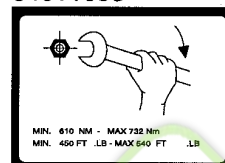
84026833



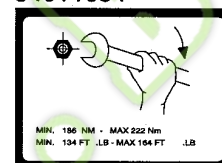
84018052



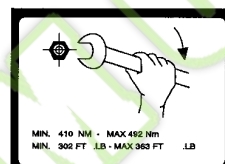
84011653



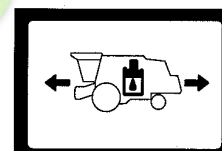
84011654



84011655



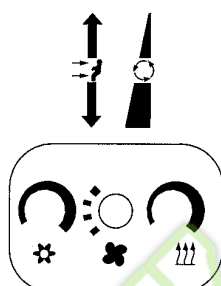
80922219



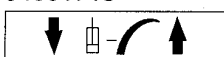
84001928



89815065



84001715



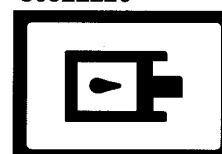
80266578



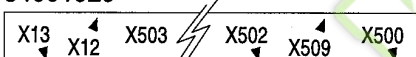
80266579



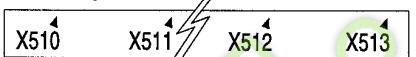
80922220



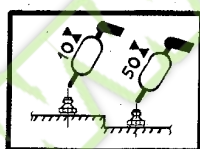
84001929



84002734

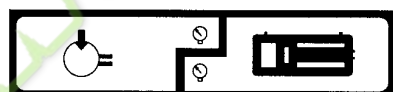


84058982



84100150

	12	8	6	4	3
L1	4 (5/32)	6 (1/4)	8 (5/16)	12 (1/2)	16 (5/8)
L2	6 (1/4)	9 (11/32)	12 (1/2)	18 (23/32)	24 (15/16)
H1	9 (11/32)	14 (9/16)	18 (23/32)	27 (1 1/16)	36 (1 13/32)
H2	15 (19/32)	23 (29/32)	30 (1 3/16)	45 (1 25/32)	60 (2 3/8)



84431498

	12	8	6	4	3
L1	5 (3/16)	8 (5/16)	10 (13/32)	15 (19/32)	20 (25/32)
L2	8 (5/16)	12 (1/2)	16 (5/8)	24 (15/16)	32 (1 1/4)
H1	12 (1/2)	18 (23/32)	24 (15/16)	36 (1 13/32)	48 (1 7/8)
H2	20 (25/32)	30 (1 3/16)	40 (1 9/16)	60 (2 3/8)	80 (3 5/32)

84100151



Ref	Part Number	Qty	Description
	84026833		AR DECAL,
	84018052		AR DECAL,
	84011653		AR DECAL,
	84011654		AR DECAL,
	84011655		AR DECAL,
	922219		AR DECAL, {PP:80922219}
	84001928		AR DECAL,
	9815065		AR DECAL, {PP:89815065}
	266578		AR DECAL, {PP:80266578}
	266579		AR DECAL, {PP:80266579}
	922220		AR DECAL, {PP:80922220}
	84001715		AR DECAL,
	84001929		AR DECAL,
	84002734		AR DECAL,
	84018585		AR DECAL,
	84022248		AR DECAL,
	84058982		AR DECAL,
	84043024		AR DECAL,

DECALS  
 DECALCOMANIE  
 DÉCALCOMANIE  
 ABZIEHBILDER

CALCOMANÍAS  
 DECALCOMANIAS  
 MÆRKATER  
 PLAKPLAATJES

80449973



84078384



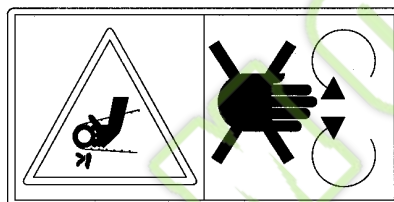
84100296



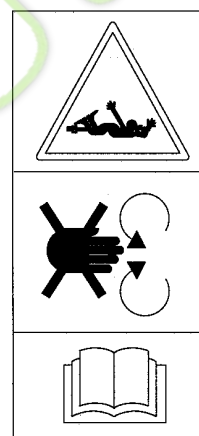
80449927



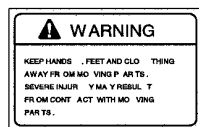
84011345



86520062



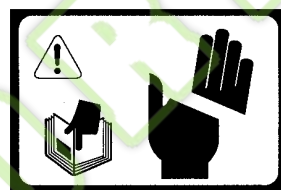
80136254



89806879



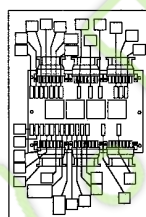
80450396



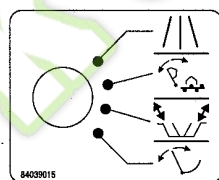
89513272



84022555



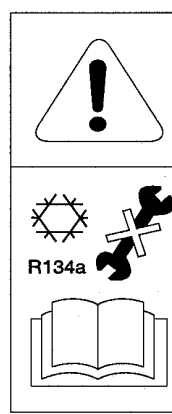
84039015



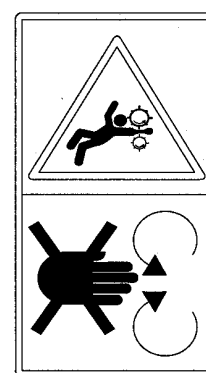
89821933



84012596



84021304



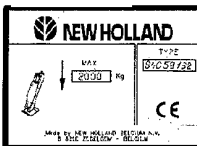
80849471



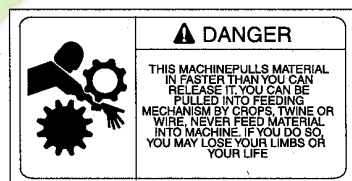
84039535



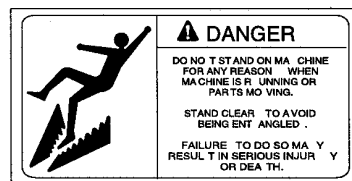
84056967



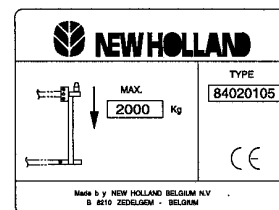
89806448



89806449

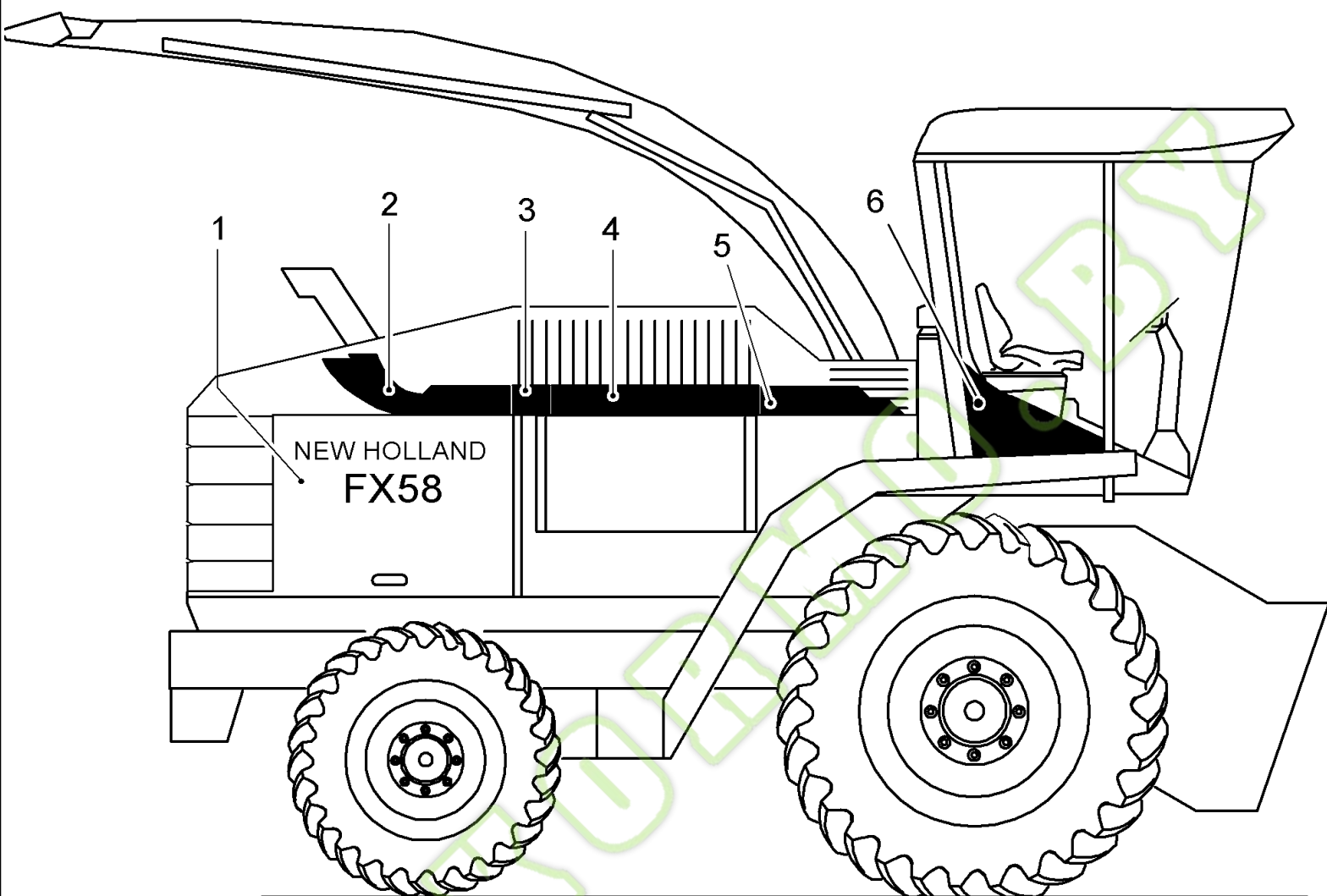


84023345



Ref	Part Number	Qty	Description
449927		AR	DECAL, {PP:80449927}
84011345		AR	DECAL,
86520062		AR	DECAL,
136254		AR	DECAL, {PP:80136254}
9806879		AR	DECAL, {PP:89806879}
450396		AR	DECAL, {PP:80450396}
89513272		AR	DECAL,
84022555		AR	DECAL,
84039015		AR	DECAL,
9821933		AR	DECAL, {PP:89821933}
84012596		AR	DECAL,
84021304		AR	DECAL,
849471		AR	DECAL, {PP:80849471}
84039535		AR	DECAL,
84056967		AR	DECAL,
9806448		AR	DECAL, {PP:89806448}
9806449		AR	DECAL, {PP:89806449}
84023345		AR	DECAL,

WWW.KORMO.BY



1: FX28: 84064756  
FX38: 84064758  
FX48: 84064757  
FX58: 84064759

7: 84002583



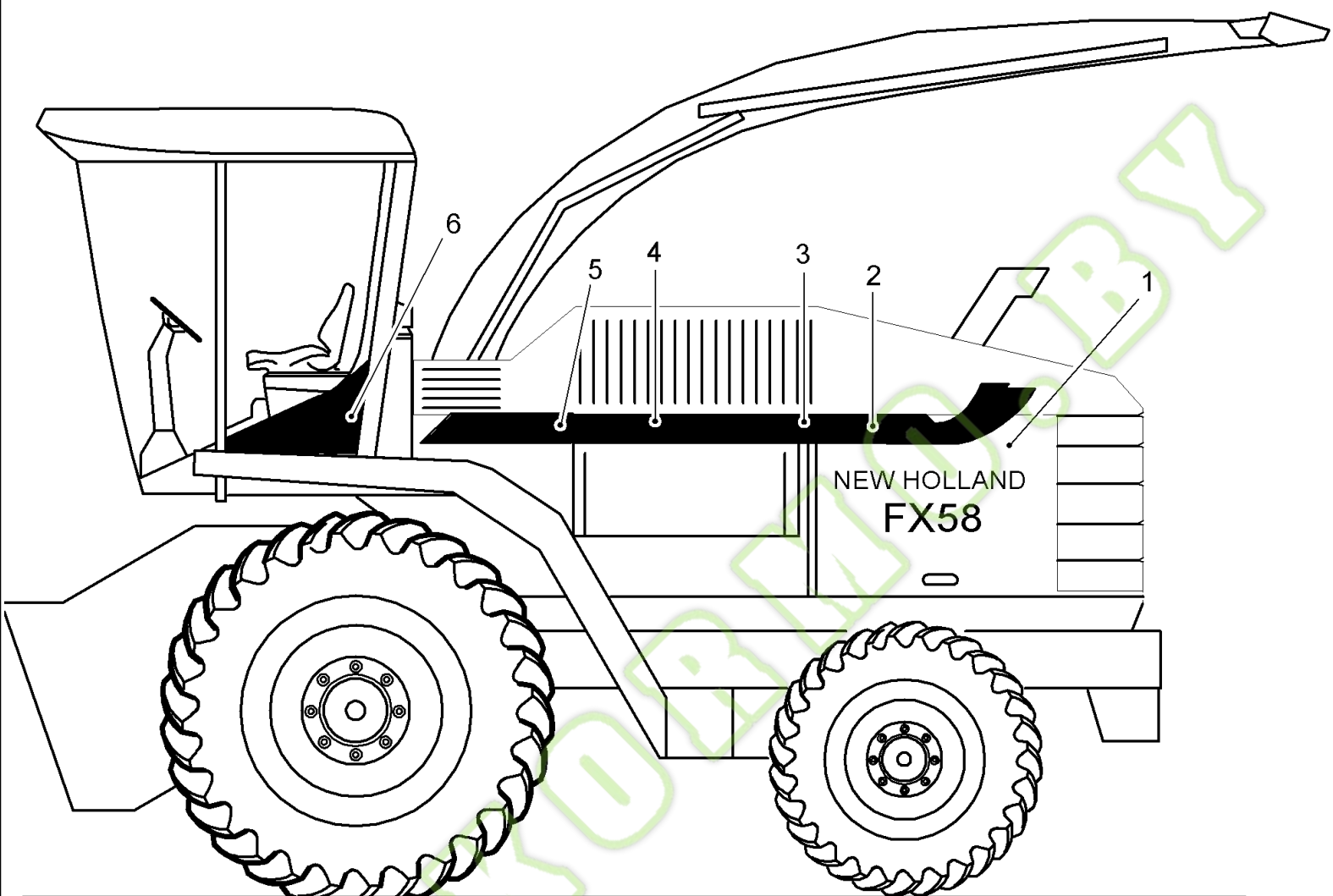
2: 84064820  
3: 84064823  
4: 84064824  
5: 84064825  
6: 89506100 (C173)  
84429737 (D174)

8: 84002667



Ref	Part Number	Qty	Description
1	84064756	AR	DECAL, FX28
1	84064757	AR	DECAL, FX48
1	84064758	AR	DECAL, FX38
1	84064759	AR	DECAL, FX58
2	84064820	AR	DECAL,
3	84064823	AR	DECAL,
4	84064824	AR	DECAL,
5	84064825	AR	DECAL,
6	89506100	AR	DECAL, , BSN C173
6	84429737	AR	DECAL, , ASN D174
7	84002583	AR	EMBLEM, NH Leaf
8	84002667	AR	DECAL,

WWW.KORMO.BY



1: FX28: 84064756  
FX38: 84064758  
FX48: 84064757  
FX58: 84064759

2: 84064768  
3: 84064766  
4: 84064764  
5: 84064762  
6: 89506099 (C173)  
84429738 (D174)

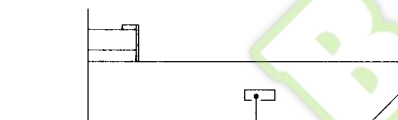
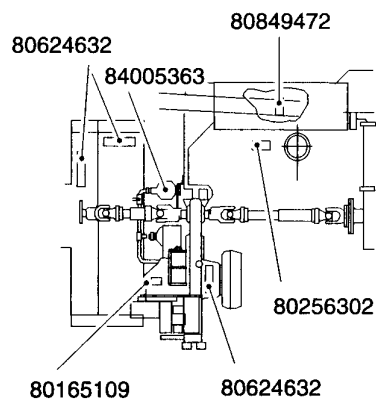
Ref	Part Number	Qty	Description
1	84064756	AR	DECAL, FX28
1	84064757	AR	DECAL, FX48
1	84064758	AR	DECAL, FX38
1	84064759	AR	DECAL, FX58
2	84064768	AR	DECAL,
3	84064766	AR	DECAL,
4	84064764	AR	DECAL,
5	84064762	AR	DECAL,
6	89506099	AR	DECAL, , BSN C173
6	84429738	AR	DECAL, , ASN D174

WWW.KORMO.BY

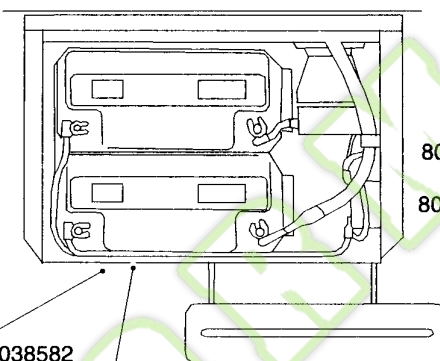
DECALS  
DECALCOMANIE  
DÉCALCOMANIE  
ABZIEHBILDER

CALCOMANÍAS  
DECALCOMANIAS  
MÆRKATER  
PLAKPLAATJES

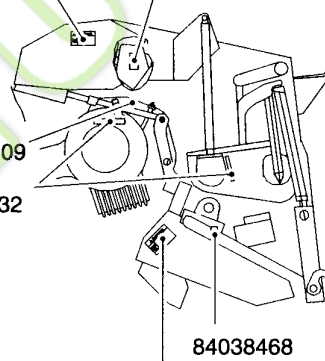
FOR NA ONLY



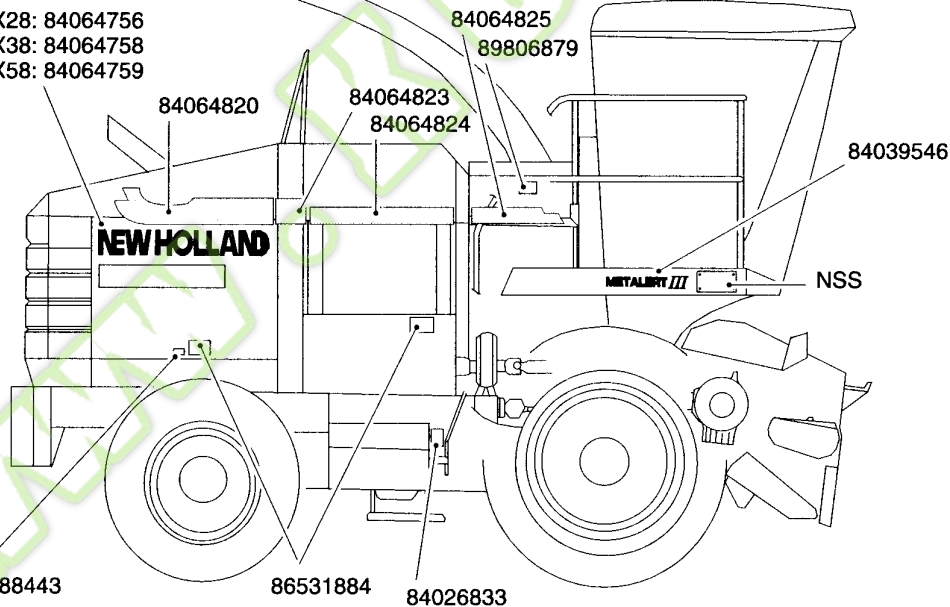
80165109 80624632



86531887 86534702



FX28: 84064756  
FX38: 84064758  
FX58: 84064759



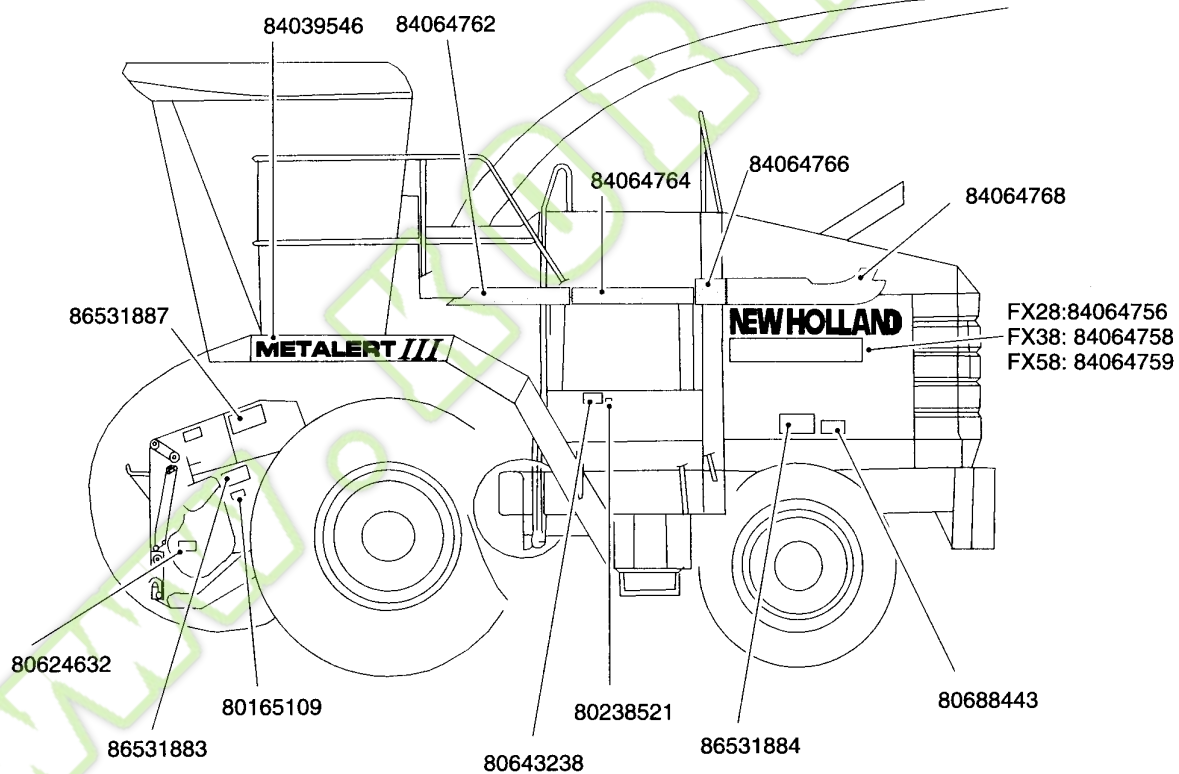
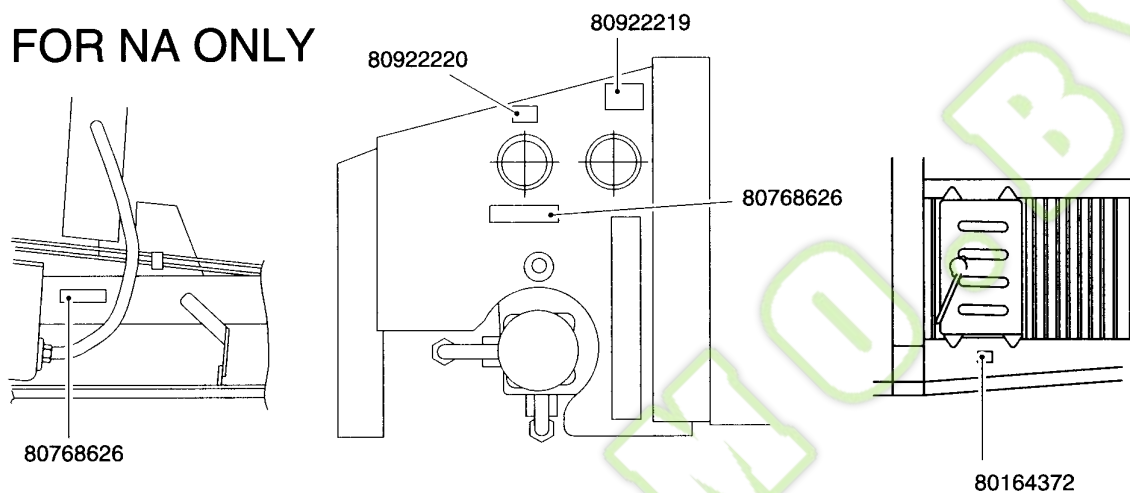


Ref	Part Number	Qty	Description
	624632	AR	DECAL, {PP:80624632}
	849472	AR	DECAL, {PP:80849472}
	84005363	AR	DECAL,
	256302	AR	DECAL, {PP:80256302}
	165109	AR	DECAL, {PP:80165109}
	624632	AR	DECAL, {PP:80624632}
	86531887	AR	DECAL,
	86531887	AR	DECAL,
	86534702	AR	DECAL,
	165109	AR	DECAL, {PP:80165109}
	624632	AR	DECAL, {PP:80624632}
	84038468	AR	DECAL,
	86531883	AR	DECAL,
	84038582	AR	DECAL,
	84038581	AR	DECAL,
	84064756	AR	DECAL, FX28
	84064758	AR	DECAL, FX38
	84064759	AR	DECAL, FX58
	84064820	AR	DECAL,
	84064823	AR	DECAL,
	84064824	AR	DECAL,
	84064825	AR	DECAL,
	9806879	AR	DECAL, {PP:89806879}
	84039546	AR	DECAL,
	688443	AR	DECAL, {PP:80688443}
	86531884	AR	DECAL,
	84026833	AR	DECAL,

DECALS  
DECALCOMANIE  
DÉCALCOMANIE  
ABZIEHBILDER

CALCOMANÍAS  
DECALCOMANIAS  
MÆRKATER  
PLAKPLAATJES

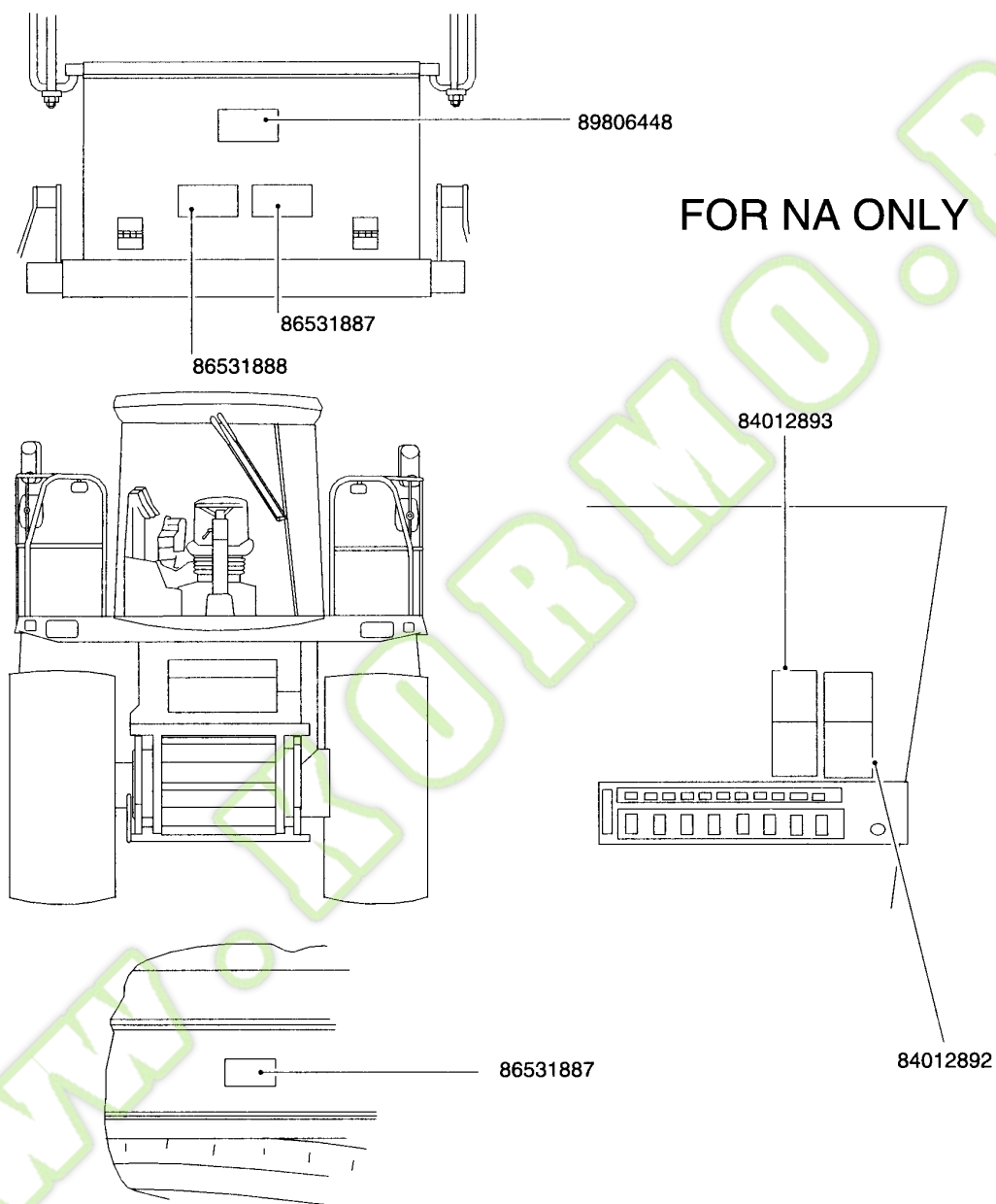
FOR NA ONLY



Ref	Part Number	Qty	Description
	768626	AR	DECAL, {PP:80768626}
	922220	AR	DECAL, {PP:80922220}
	922219	AR	DECAL, {PP:80922219}
	768626	AR	DECAL, {PP:80768626}
	164372	AR	DECAL, {PP:80164372}
	84039546	AR	DECAL,
	84064762	AR	DECAL,
	84064764	AR	DECAL,
	84064766	AR	DECAL,
	84064768	AR	DECAL,
	84064756	AR	DECAL, FX28
	84064758	AR	DECAL, FX38
	84064759	AR	DECAL, FX58
	86531887	AR	DECAL,
	624632	AR	DECAL, {PP:80624632}
	86531883	AR	DECAL,
	165109	AR	DECAL, {PP:80165109}
	643238	AR	DECAL, {PP:80643238}
	238521	AR	DECAL, {PP:80238521}
	86531884	AR	DECAL,
	688443	AR	DECAL, {PP:80688443}

DECALS  
DECALCOMANIE  
DÉCALCOMANIE  
ABZIEHBILDER

CALCOMANÍAS  
DECALCOMANIAS  
MÆRKATER  
PLAKPLAATJES



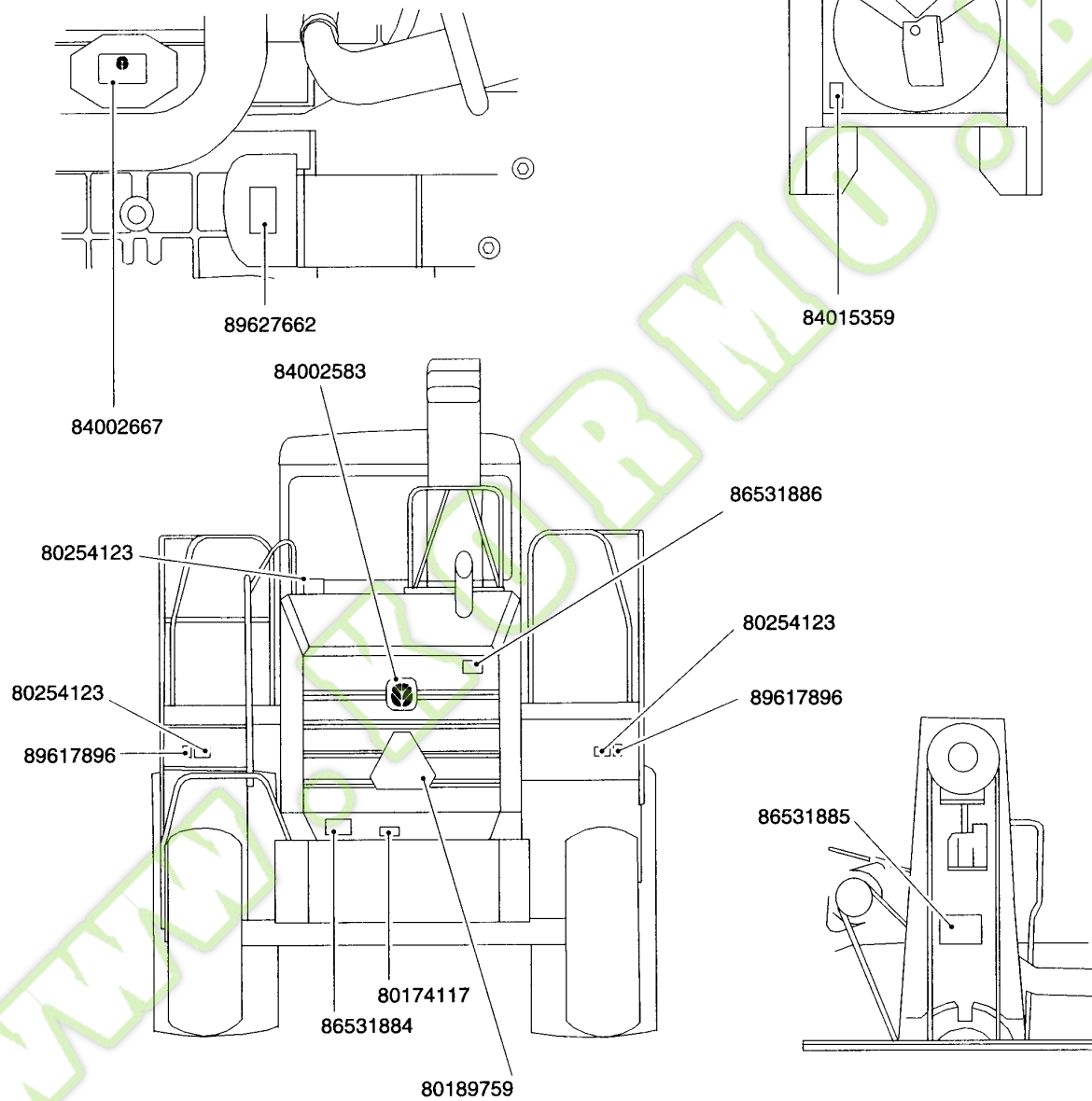
Ref	Part Number	Qty	Description
	9806448		AR DECAL, {PP:89806448}
	86531887		AR DECAL,
	86531888		AR DECAL,
	84012893		AR DECAL,
	84012892		AR DECAL,
	86531887		AR DECAL,

WWW.KORMO.BY

DECALS  
DECALCOMANIE  
DÉCALCOMANIE  
ABZIEHBILDER

CALCOMANÍAS  
DECALCOMANIAS  
MÆRKATER  
PLAKPLAATJES

FOR NA ONLY



Ref	Part Number	Qty	Description
	84002667		AR DECAL,
	84001404		AR DECAL,
	84015359		AR DECAL,
	84002583		AR EMBLEM, NH Leaf
	254123		AR DECAL, {PP:80254123}
	9617896		AR DECAL,
	86531885		AR DECAL,
	174117		AR DECAL, {PP:80174117}
	86531884		AR DECAL,
	189759		AR EMBLEM, {PP:80189759} SMV
	86531886		AR DECAL,

WWW.KORMO.BY

**CODE TABLE  
TABELLA CODICI  
TABLE DES CODES  
KODETABELLE**

**TABLA DE CÓDIGOS  
TABELA DE CÓDIGOS  
KODESKEMA  
CODETABEL**

**Rules for modification codes**

Identify the 3 mid digits (=SERIES) of the serial number of your machine. Eg.: 165102032

Modification codes begin with:  
C for a part number valid UNTIL series ...,  
F for a part number valid FROM series ... UNTIL series ...,  
D for a part number valid FROM series ... ONWARDS.

**Example:**

C092: part number valid until series 092  
F093109: part number valid between series 093 and 109  
D110: part number valid from series 110 onwards  
If your machine has serial number 165102032, choose the second part number in our example since 102 is between 093 and 109.

**Spiegazione dei codici di modifica**

Identificate le 3 cifre centrali (=SERIE) del numero di serie della macchina. Es.: 165102032

I codici di modifica iniziano con:  
C per numero di particolare valido FINO alla serie ...,  
F per numero di particolare valido DALLA serie ... FINO alla serie ...,  
D per numero di particolare valido DALLA serie ... IN AVANTI.

**Esempio:**

C092: numero di particolare valido fino alla serie 092  
F093109: numero di particolare valido tra le serie 093 e 109  
D110: numero di particolare valido dalla serie 110 in avanti  
Se la vostra macchina ha il numero di serie 165102032, scegliete il secondo numero di particolare nel nostro esempio, dato che 102 si trova tra 093 e 109.

**Explication des codes de modification**

Identifiez les 3 chiffres au centre (=SERIE) du numéro de série de la machine. Ex. : 165102032

Les codes de modification commencent par :  
C pour un numéro de pièce valable JUSQU'A la série...,  
F pour un numéro de pièce valable DE la série ... JUSQU'A la série...,  
D pour un numéro de pièce valable A PARTIR de la série..

**Exemple :**

C092 : numéro de pièce valable jusqu'à la série 092  
F093109 : numéro de pièce valable entre les séries 093 et 109  
D110 : numéro de pièce valable à partir de la série 110  
Si votre machine a le numéro de série 165102032, choisissez le second numéro de pièce comme sur notre exemple, vu que 102 se situe entre 093 et 109.

**Erläuterungen zu den Änderungscodes**

Ermittlung der 3 zentralen Stellen (=SERIENNUMMER) der Baureihennummer der Maschine. Bsp.: 165102032

Die Änderungscodes beginnen mit:  
C für die Teilnummer, dessen Gültigkeit BIS zur Serie ... besteht,  
F für die Teilnummer, dessen Gültigkeit AB der Serie ... BIS zur Serie ... besteht,  
D für die Teilnummer, dessen Gültigkeit AB der Serie ... und für die DARAUF FOLGENDEN Serien besteht,

**Beispiel:**

C092: bis zur Serie 092 gültige Teilnummer  
F093109: zwischen den Serien 093 und 109 gültige Teilnummer  
D110: für die Serie 110 und die darauf folgenden Serien gültige Teilnummer  
Ist Ihre Maschine mit der Baureihennummer 165102032 versehen, so wählen Sie die zweite Teilnummer aus unserem Beispiel, da 102 zwischen 093 und 109 liegt.

**Explicación de los códigos de modificación**

Identifique las tres cifras centrales (=SERIE) del número de serie de la máquina. Ej.: 165102032

Los códigos de modificación inician con:  
C para el número de pieza válido HASTA la serie ...,  
F para el número de pieza válido DESDE la serie ... HASTA la serie...,  
D para el número de pieza válido A PARTIR DE la serie ...

**Ejemplo:**

C092: número de pieza válido hasta la serie 092  
F093109: número de pieza válido entre las series 093 y 109  
D110: número de pieza válido a partir de la serie 110  
Si su máquina presenta el número de serie 165102032, escoja el segundo número de pieza de nuestro ejemplo, ya que el 102 se encuentra entre 093 y 109.

**Explicação para os códigos de modificação**

Identifique os 3 dígitos centrais (=SERIE) do número de série da sua máquina. Ex.: 165102032

Os códigos de modificação começam com:  
C para número de peça válido ATÉ à série ...,  
F para número de peça válido DA série ... ATÉ à série ...,  
D para número de peça válido DA série ... EM DIANTE.

**Exemplo:**

C092: número de peça válido até à série 092  
F093109: número de peça válido entre as séries 093 e 109  
D110: número de peça válido da série 110 em diante  
Se o número de série da sua máquina for 165102032, selecione o segundo número de peça no nosso exemplo, visto que 102 está entre 093 e 109.

**Retningslinier for ændringskoder**

Find frem til de 3 midterste cifre (=SERIEN) i maskinens serienummer (eksempelvis 165102032).

Ændringskoderne begynder med:  
C for art. nr. gældende TIL serie ...  
F for art. nr. gældende FRA serie ... TIL serie ...  
D for art. nr. gældende FRA serie ... FF.

**Eksempel:**

C092: art. nr. gældende til serie 092  
F093109: art. nr. gældende fra serie 093 til serie 109  
D110: art. nr. gældende fra serie 110 ff.  
Vælg det andet art. nr. i vores eksempel, hvis maskinen har serienummer 165102032, idet tallet 102 er mellem 093 og 109.

**Uitleg van de aanpassingscodes**

Stel de 3 middelste cijfers (=SERIE) van het serienummer van de machine vast. Bijv.: 165102032

De aanpassingscodes beginnen met:  
C onderdeelnummer dat geldt TOT de serie ...,  
F onderdeelnummer dat geldt VANAF de serie ... TOT de serie ...,  
D onderdeelnummer dat geldt VANAF de serie ...

**Voorbeeld:**

C092: onderdeelnummer dat geldt tot de serie 092  
F093109: onderdeelnummer dat geldt voor de series tussen 093 en 109  
D110: onderdeelnummer dat geldt vanaf de serie 110  
Heeft uw machine serienummer 165102032, kies dan het tweede onderdeelnummer uit ons voorbeeld, aangezien 102 zich tussen 093 en 109 bevindt.



Ref	Part Number	Qty	Description
<p>WWW.KORMO.BY</p>			

CODE TABLE  
TABELLA CODICI  
TABLE DES CODES  
KODETABELLE

TABLA DE CÓDIGOS  
TABELA DE CÓDIGOS  
KODESKEMA  
CODETABEL

CODE	FX
C085	---083001 to ---085999
C090	---083001 to ---090999
C092	---083001 to ---092999
C094	---083001 to ---094999
C109	---083001 to ---109999
C113	---083001 to ---113999
C127	---083001 to ---127999
C131	---083001 to ---131999
C135	---083001 to ---135999
C143	---083001 to ---143999
C147	---083001 to ---147999
C151	---083001 to ---151999
C155	---083001 to ---155999
C163	---083001 to ---163999
C173	---083001 to ---173999
C177	---083001 to ---177999
C181	---083001 to ---181999
C185	---083001 to ---185999
C189	---083001 to ---189999
C193	---083001 to ---193999
C201	---083001 to ---201999
C205	---083001 to ---205999
C205	---083001 to ---205999
C213	---083001 to ---213999
C217	---083001 to ---217999
C221	---083001 to ---221999
C229	---083001 to ---229999
C230	---083001 to ---230999
C233	---083001 to ---233999
C241	---083001 to ---241999
C245	---083001 to ---245999
C253	---083001 to ---253999
D086	from ---086001 onwards
D091	from ---091001 onwards
D093	from ---093001 onwards
D095	from ---095001 onwards
D110	from ---110001 onwards
D114	from ---114001 onwards
D128	from ---128001 onwards
D132	from ---132001 onwards
D136	from ---136001 onwards
D140	from ---140001 onwards
D144	from ---144001 onwards
D148	from ---148001 onwards
D152	from ---152001 onwards
D156	from ---156001 onwards
D164	from ---164001 onwards
D174	from ---174001 onwards
D178	from ---178001 onwards
D186	from ---186001 onwards
D190	from ---190001 onwards

Ref	Part Number	Qty	Description
<p>WWW.KORMO.BY</p>			

CODE TABLE  
TABELLA CODICI  
TABLE DES CODES  
KODETABELLE

TABLA DE CÓDIGOS  
TABELA DE CÓDIGOS  
KODESKEMA  
CODETABEL

CODE	FX
D194	from ---194001 onwards
D194	from ---194001 onwards
D202	from ---202001 onwards
D206	from ---206001 onwards
D206	from ---206001 onwards
D214	from ---214001 onwards
D218	from ---218001 onwards
D222	from ---222001 onwards
D230	from ---230001 onwards
D234	from ---234001 onwards
D238	from ---238001 onwards
D242	from ---242001 onwards
D246	from ---246001 onwards
D254	from ---254001 onwards
F093217	---093001 to ---217999
F127173	---127001 to ---173999
F128151	---128001 to ---151999
F128173	---128001 to ---173999
F128185	---128001 to ---185999
F128217	---128001 to ---217999
F132163	---132001 to ---163999
F148173	---148001 to ---173999
F152201	---152001 to ---201999
F156173	---156001 to ---173999
F174177	---174001 to ---177999
F174201	---174001 to ---201999
F174217	---174001 to ---217999
F174237	---174001 to ---237999
F186217	---186001 to ---217999
F206217	---206001 to ---217999
F218229	---218001 to ---229999
F218241	---218001 to ---241999

Ref	Part Number	Qty	Description
<p>WWW.KORMO.BY</p>			

ENGINE

MOTEUR

MOTOR

MOTOR

MOTORE

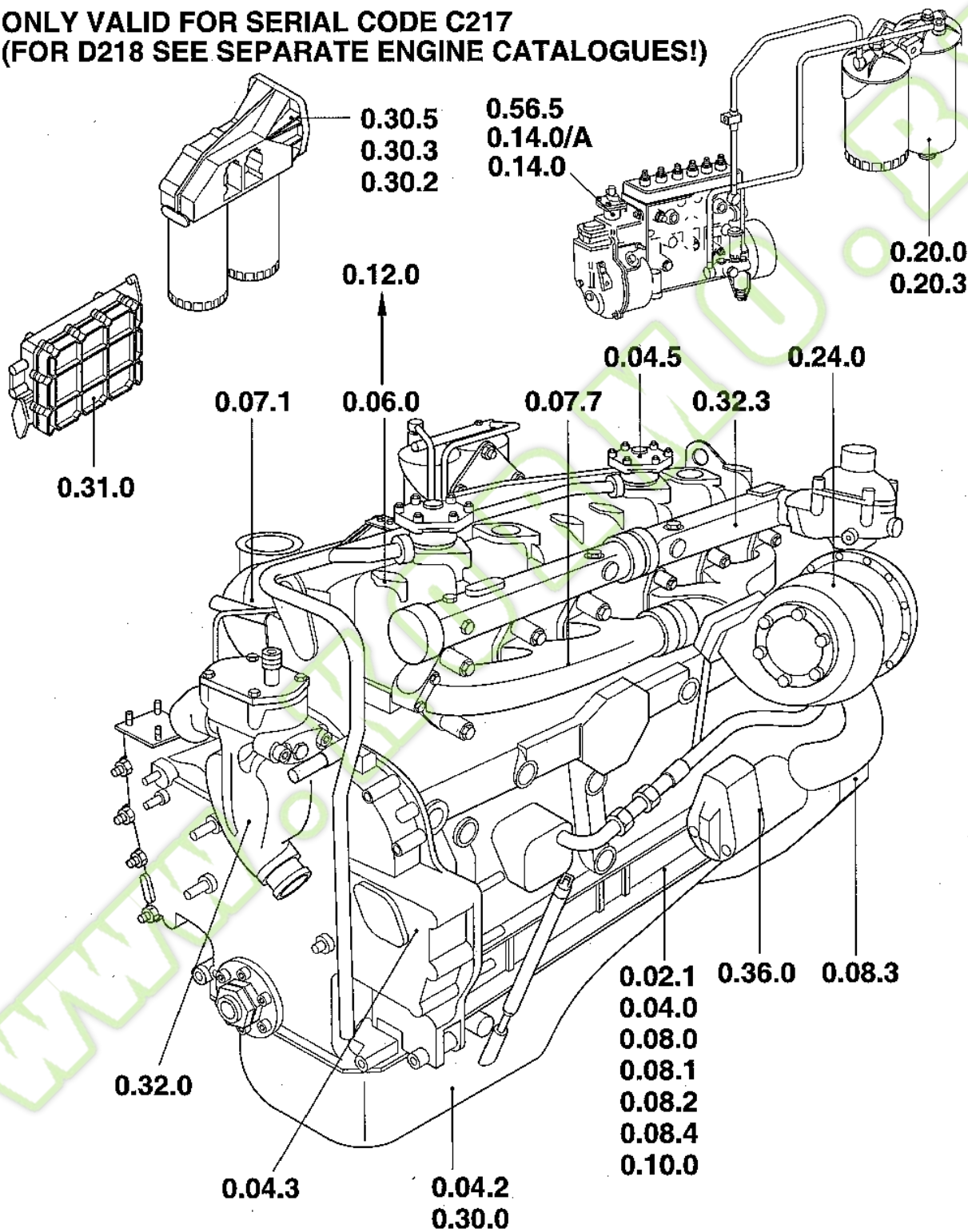
MOTOR

MOTOR

MOTOR

**SEC. 1**

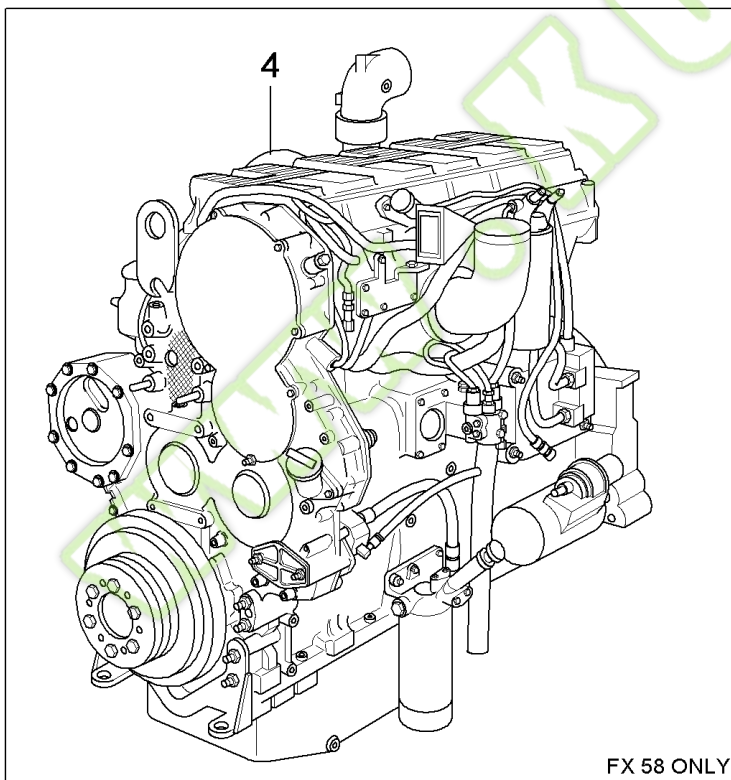
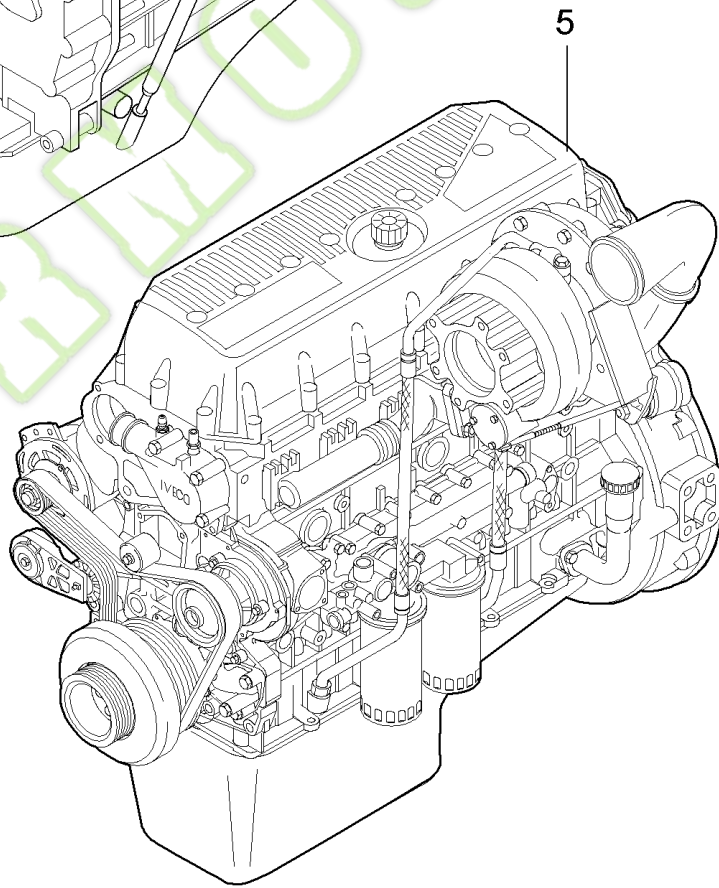
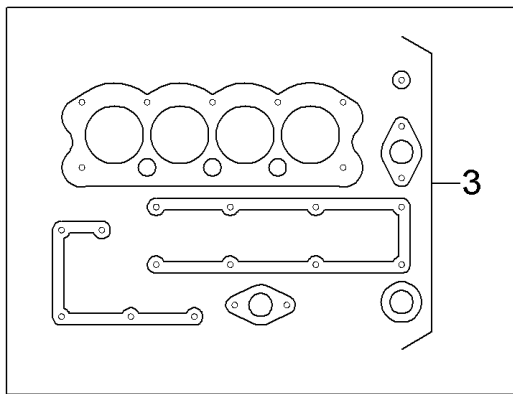
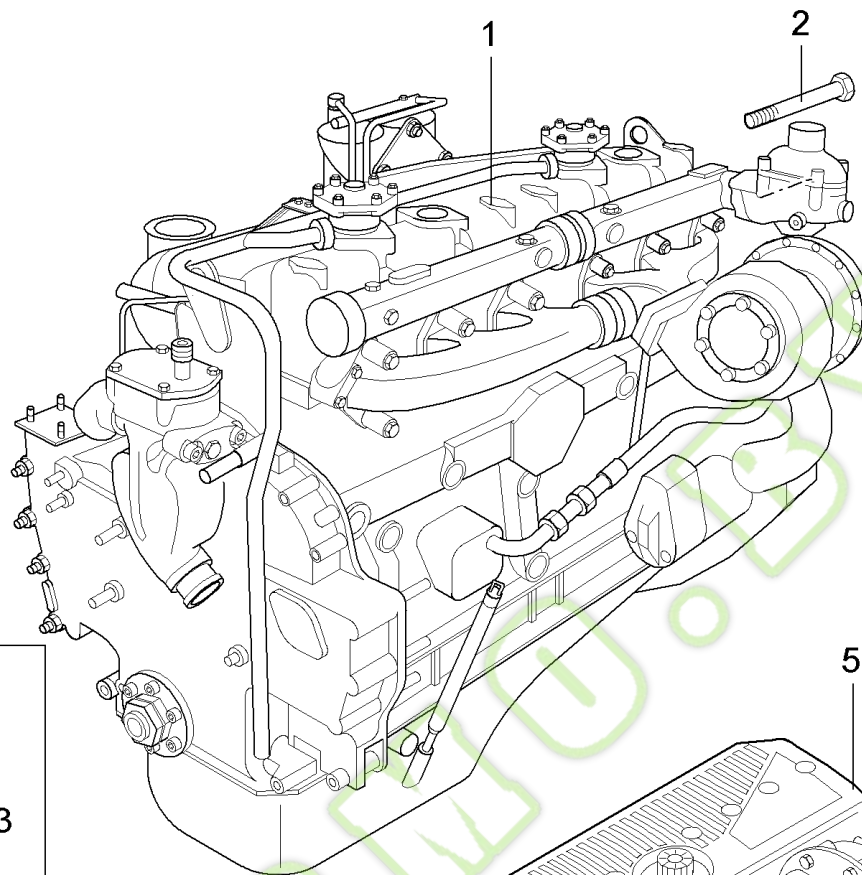
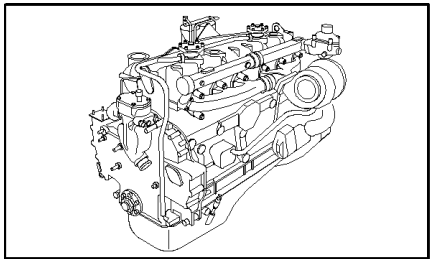
**ONLY VALID FOR SERIAL CODE C217  
(FOR D218 SEE SEPARATE ENGINE CATALOGUES!)**



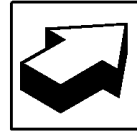
0.01(01) SECTION LIST 1

Ref	Part Number	Qty	Description
<p>WWW.KORMO.BY</p>			

0.02.1(01) COMPLETE ENGINE



FX 58 ONLY



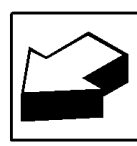
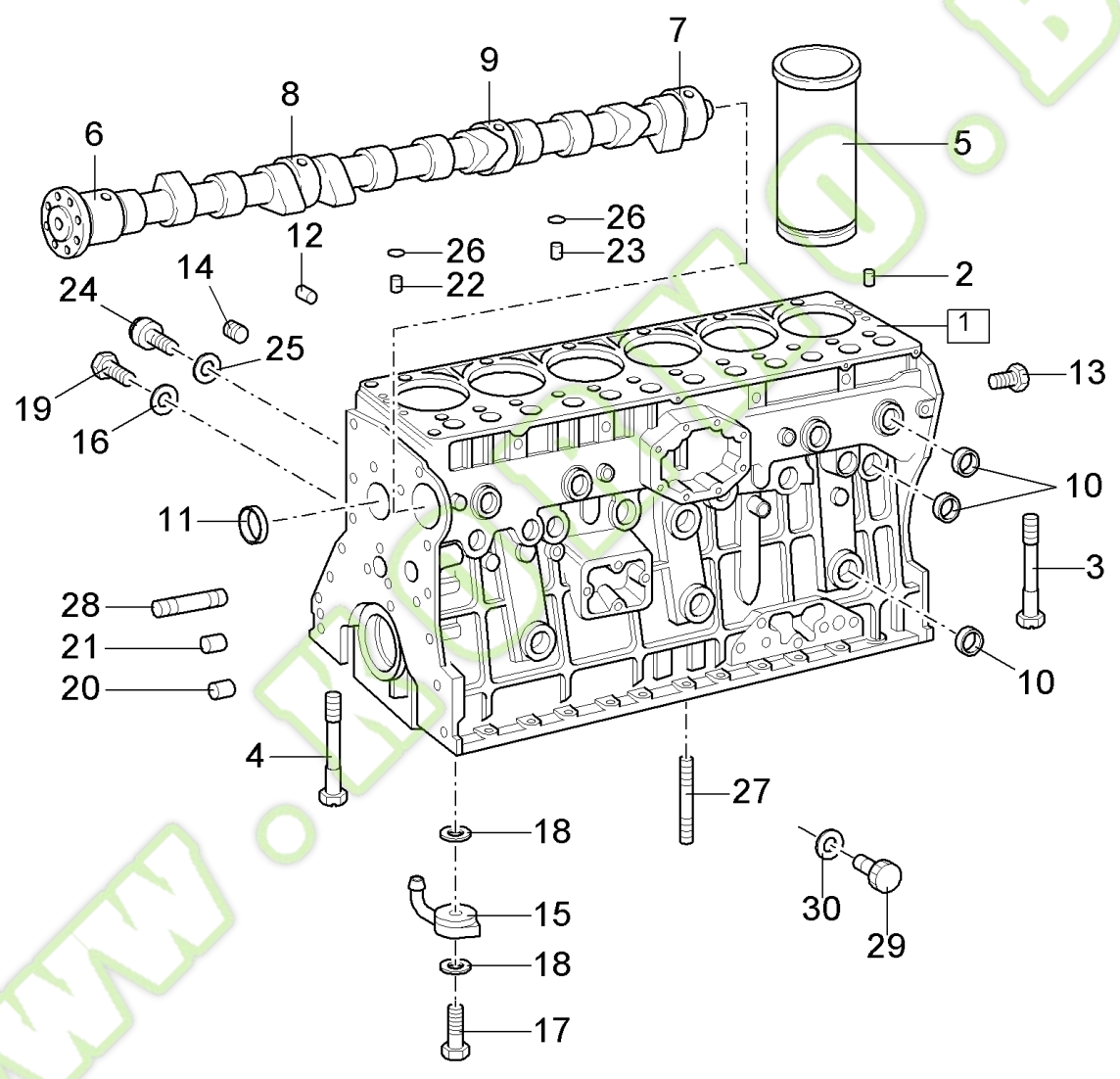
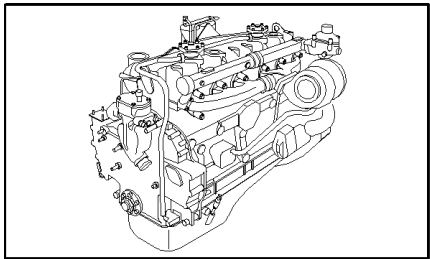


## FX48 SELF-PROPELLED FORAGE HARVESTER (9/98- )

## 0.02.1(01) COMPLETE ENGINE

Ref	Part Number	Qty	Description
1	84053368	1	ENGINE, , FOR FX28 ONLY, BSN C217
1	84053369	1	ENGINE, , FOR FX38 ONLY, BSN C217
1	84053370	1	ENGINE, , FOR FX48 ONLY, BSN C217
1	84038087	1	ENGINE, , FOR FX28 NA ONLY, BSN C127
1	84334146	1	ENGINE, , FOR FX28 NA ONLY, BSN F128217
1	84064728	1	ENGINE, , FOR FX38 NA ONLY, BSN C217
2	4832252	3	SCREW,
3	1940130	1	KIT, ENGINE GASKET,
3	1940131	1	KIT, ENGINE TOP GASKETS,
4	NS	1	NOT SERVICED, Caterpillar, FOR FX58 ONLY (CONTACT YOUR LOCAL CATERPILLAR DEALER FOR ORDERING PARTS) + FX58 NA, BSN C205
4	NS	1	NOT SERVICED, TIER II, FOR FX58 ONLY (CONTACT YOUR LOCAL CATERPILLAR DEALER FOR ORDERING PARTS) + FX58 NA, ASN D206
5	84072065	1	ENGINE, , FOR FX28 AND FX28 NA ONLY, SEE MODEL F3AE0684E*B002 FOR PARTS IN PAL OR SEE SEPARATE PAPER CATALOGUES AT END OF FX CATALOGUE, ASN D218
5	84432795	1	ENGINE, , FOR FX38-FX38NA ONLY, SEE MODEL F3BE0684A*B001 FOR PARTS IN PAL OR SEE SEPARATE PAPER CATALOGUES AT END OF FX CATALOGUE, ASN D218
5	84432796	1	ENGINE, , FOR FX48 ONLY, SEE MODEL F3BE0684E*B001 FOR PARTS IN PAL OR SEE SEPARATE PAPER CATALOGUES AT END OF FX CATALOGUE, ASN D218

0.04.0(01) CRANKCASE - C217

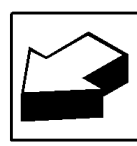
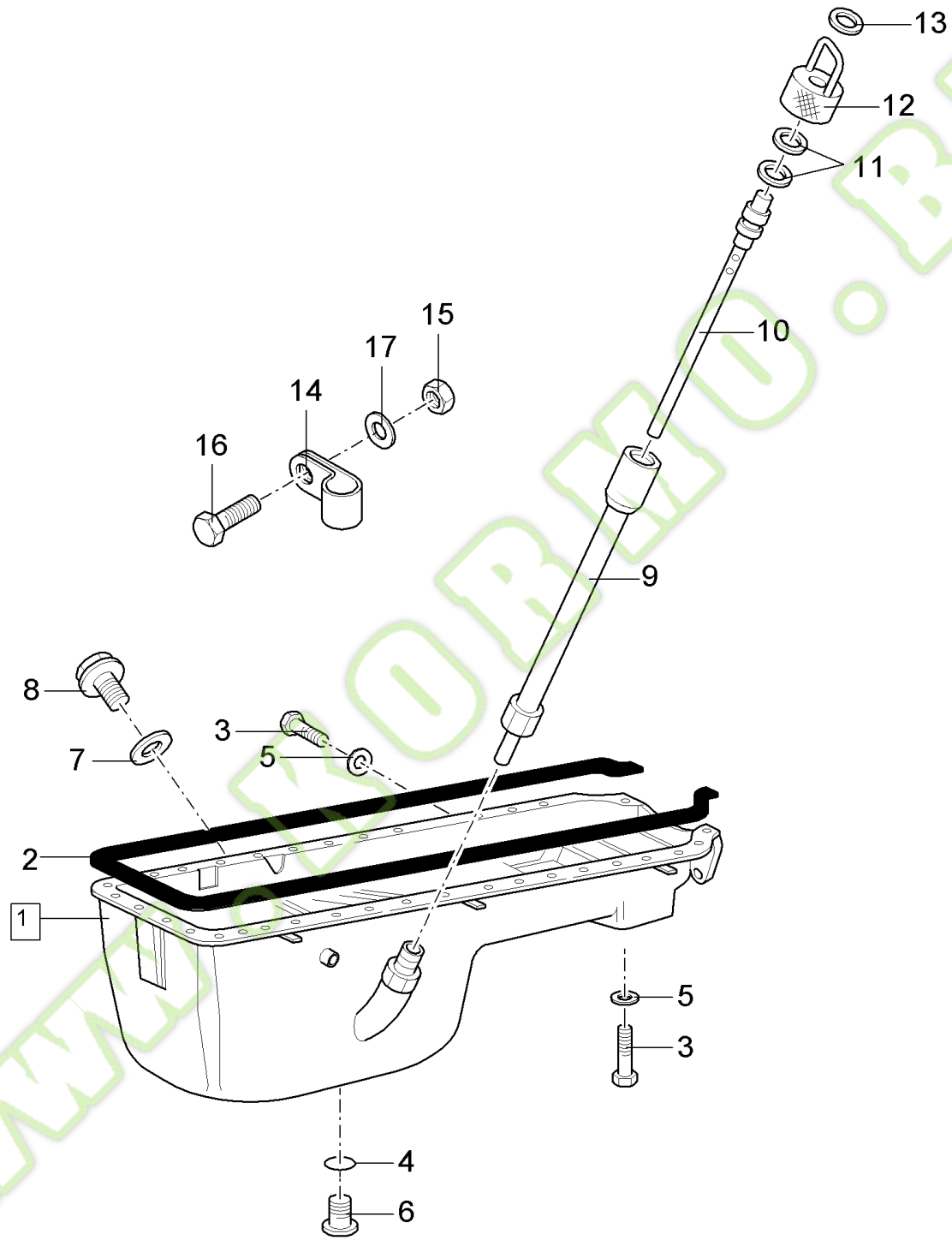
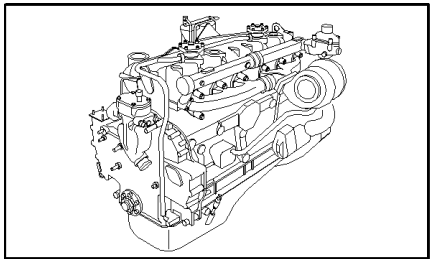


## FX48 SELF-PROPELLED FORAGE HARVESTER (9/98- )

## 0.04.0(01) CRANKCASE - C217

Ref	Part Number	Qty	Description
1	99467250	1	CYLINDER BLOCK, (2 to 14,16,19 to 30)
2	851425	2	PIN, ROLL,
3	4769168	12	SCREW, L:185MM
4	4827152	2	SCREW, L:220MM
5	99460462	6	LINER, ENGINE CYLINDER, Class X, CLASS X : LIP OF LINER, THK. : 6.020 : 6.040
5	99467115	6	LINER, ENGINE CYLINDER, Class Y, CLASS Y : LIP OF LINER, THK. : 6.041 : 6.060
5	99467116	6	LINER, ENGINE CYLINDER, +0.25,Class X, CLASS X : LIP OF LINER, THK. : 6.020 : 6.040
5	99469069	6	LINER, ENGINE CYLINDER, +0.25,Class Y, CLASS Y : LIP OF LINER, THK. : 6.041 : 6.060
5	99469071	6	LINER, ENGINE CYLINDER, +0.05,Class X, CLASS X : LIP OF LINER, THK. : 6.020 : 6.040
5	99469070	6	LINER, ENGINE CYLINDER, +0.05,Class Y, CLASS Y : LIP OF LINER, THK. : 6.041 : 6.060
6	4668570	1	BUSHING, Front
7	4573049	1	BUSHING, Rear
8	4668063	1	BUSHING, Front
9	4668064	1	BUSHING, Rear
10	16991170	21	PLUG, D=36
11	14283370	2	PLUG, D=63
12	14326150	4	PLUG, M8x1.25
13	14325501	1	PLUG, M8x1.5
14	16997411	1	PLUG, M16x1.5
15	4833421	1	NOZZLE, LUB. OIL JET, (16)
16	98458415	2	WASHER, SEALING, 28x36x2
17	4775503	6	BOLT, BANJO,
18	4700613	2	LINING, SUPPORT,
19	10278301	2	PLUG, 28x15
20	4533969	1	DOWEL, 12x38
21	10837810	3	DOWEL, 12x30
22	99432168	2	DOWEL,
23	4663640	2	DOWEL, D=12
24	4665029	1	PLUG, M42x1.5
25	10265460	1	GASKET, 49x42x1.5
26	14452781	2	GASKET, -010, CI 7, .239" ID x .070" Thk,
27	13516821	2	STUD, M8x12x20
28	11797124	1	STUD, M14x20x25
29	16992211	1	PLUG, M12x1.5, FOR FX28-38 ONLY
30	4858607	1	GASKET, 12x17x1.5, FOR FX28-38 ONLY

0.04.2(01) OIL SUMP - C217

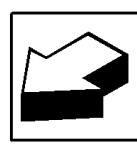
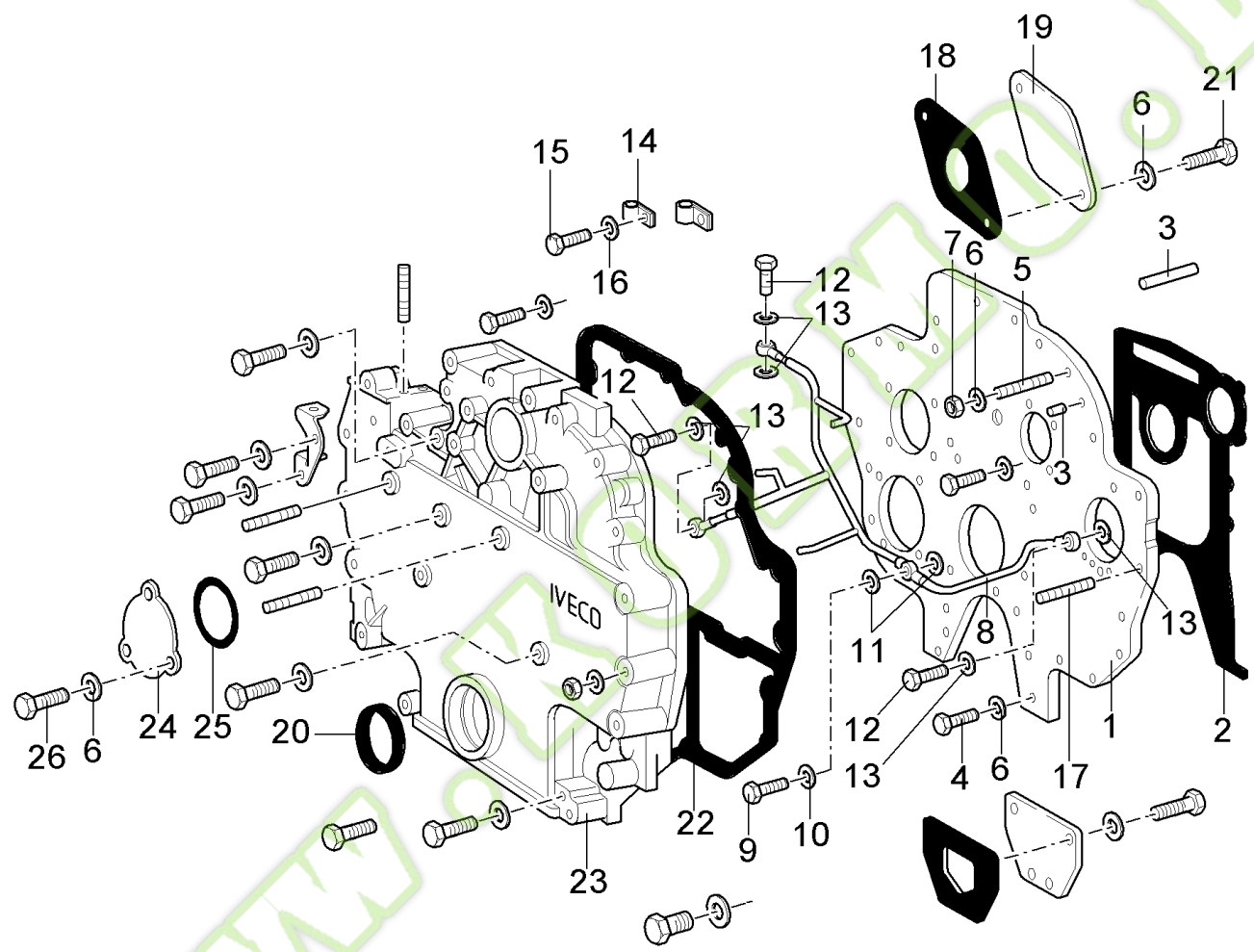
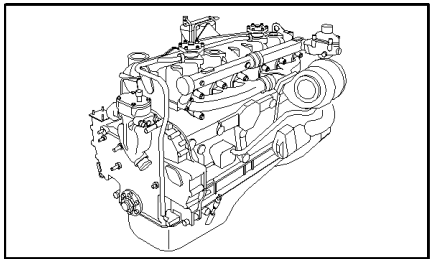


## FX48 SELF-PROPELLED FORAGE HARVESTER (9/98- )

## 0.04.2(01) OIL SUMP - C217

Ref	Part Number	Qty	Description
1	4803020	1	PAN, ENGINE OIL, (4,6)
2	98493262	1	GASKET,
3	10929824	35	SCREW, M10x60
3	16204524	5	SCREW, Hex, M10 x 35, M10x35
4	14457681	1	O-RING, -118, CI 7, .862" ID x .103" Thk,
5	11190574	41	WASHER, LOCK, Belleville, M10.5, 10MM
6	98491299	1	PLUG,
7	4858607	1	GASKET,
8	11903211	1	PLUG,
9	99480719	1	TUBE, RIGID,
10	99480712	1	DIPSTICK,
11	4854896	2	GASKET,
12	4882777	1	PLUG,
13	16865073	1	RING, LOCKING,
14	500336569	1	CLAMP,
15	16100821	1	NUT, M8, CI 10, M8
16	16043424	1	SCREW, Hex, M8 x 20, 8.8, Full Thd, M8x25
17	11193874	1	WASHER, LOCK, Belleville, M8.4, 8MM
3	11306924	1	SCREW, Hex, M10 x 1.25 x 30, 8.8, Full Thd, M10x30

0.04.3(01) ENGINE COVERS & GASKETS - C217

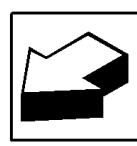
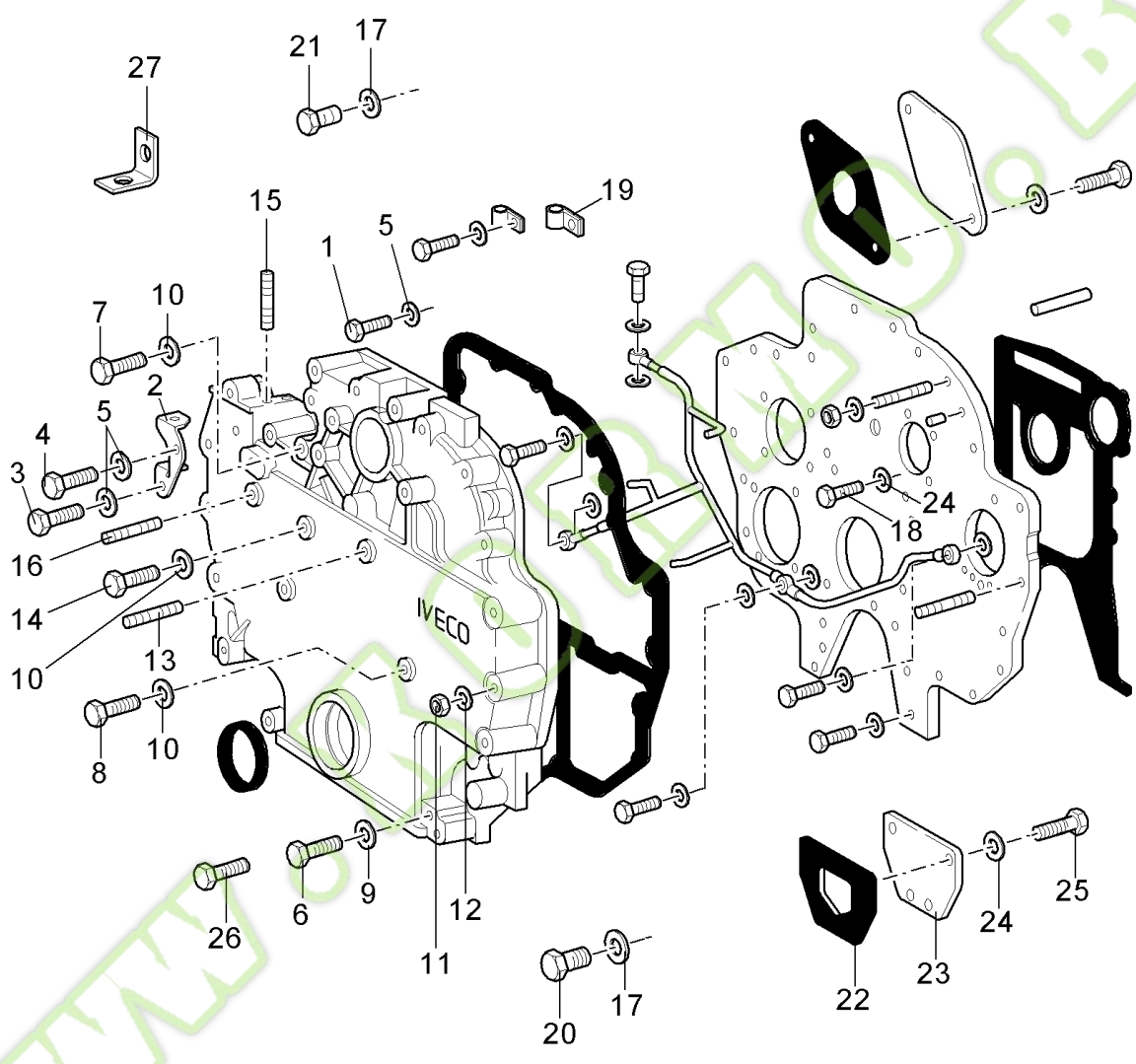
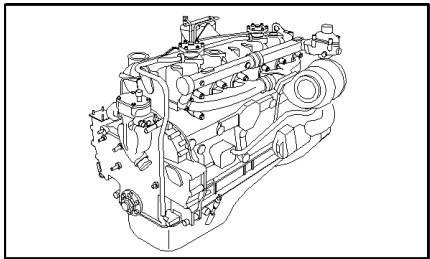


## FX48 SELF-PROPELLED FORAGE HARVESTER (9/98- )

## 0.04.3(01) ENGINE COVERS &amp; GASKETS - C217

Ref	Part Number	Qty	Description
1	99450902	1	PLATE,
2	99431449	1	GASKET,
3	10837810	1	DOWEL, 12x30
4	15970730	7	SCREW, Hex, M10 x 1.25 x 25, 10.9, Full Thd, M10x25
4	14420131	2	SCREW, Hex Soc Hd, M10 x 25, 10.9, M10x25
5	13449330	2	STUD, M10x20
6	11198374	15	WASHER, LOCK, Belleville, M10.5, 10MM
7	12164721	2	NUT, M10 x 1.25, CI 10, M10
8	500302886	1	TUBE, RIGID,
9	4679620	1	BOLT, BANJO,
10	852409	1	WASHER,
11	4858606	2	GASKET,
12	4707984	2	BOLT, BANJO,
13	10262760	4	GASKET,
14	563678	1	COLLAR, RETAINER,
15	16042921	1	SCREW, Hex, M8 x 10, 8.8, Full Thd, M8x10
16	10519601	1	WASHER, M8 x 17 x 2,
17	98471171	6	STUD, L:166MM
18	98424208	1	GASKET,
19	4773932	1	COVER,
20	98467211	1	GASKET,
21	15970624	1	SCREW, Hex, M10 x 1.25 x 22, 8.8, Full Thd,
22	99450903	1	GASKET,
23	500348819	1	COVER,
24	99453839	1	COVER,
25	17284381	1	GASKET,
26	15970624	3	SCREW, Hex, M10 x 1.25 x 22, 8.8, Full Thd,

0.04.3(02) ENGINE COVERS & GASKETS - C217



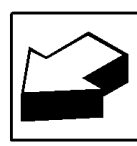
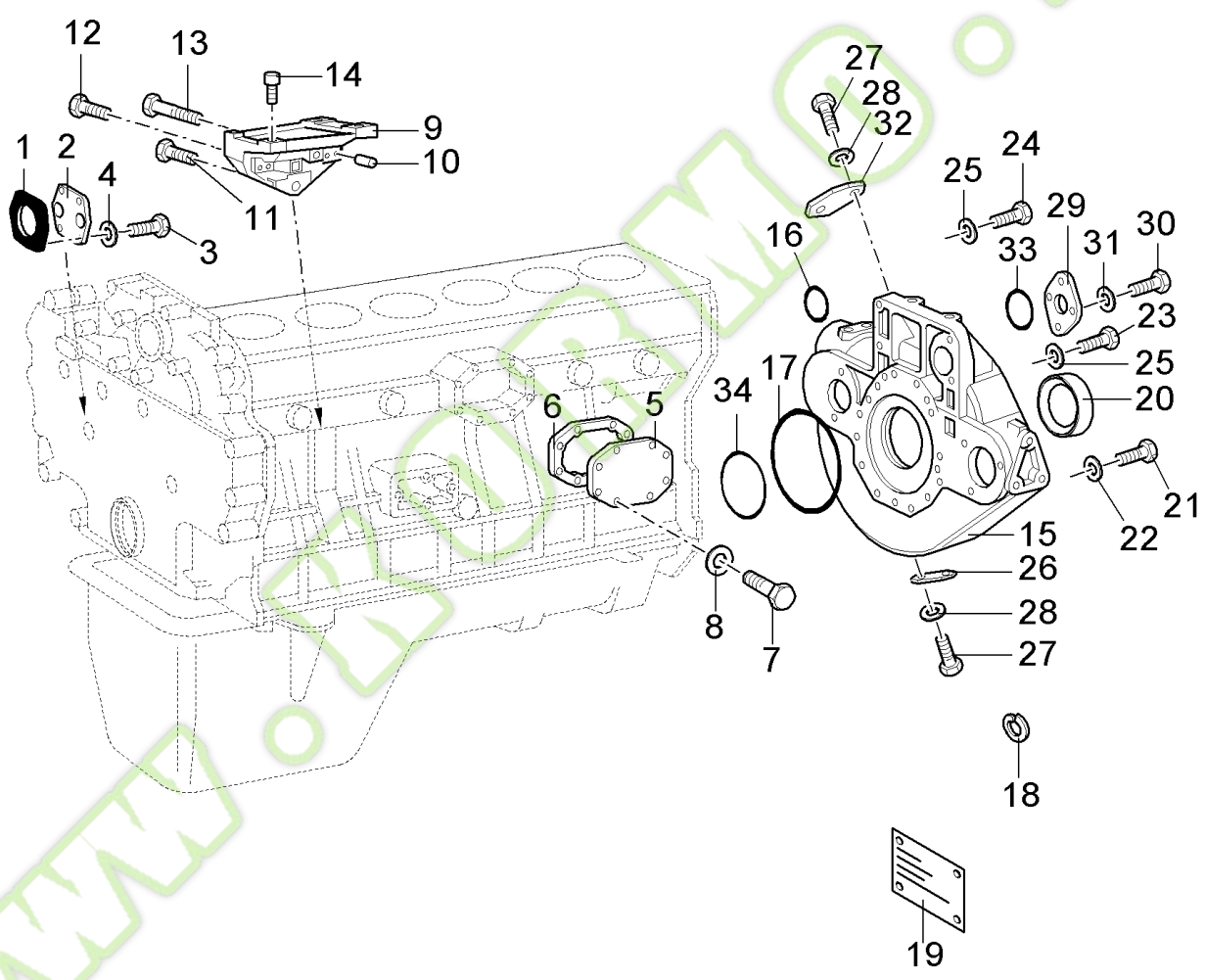
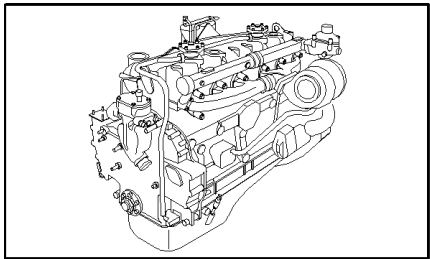


## FX48 SELF-PROPELLED FORAGE HARVESTER (9/98- )

## 0.04.3(02) ENGINE COVERS &amp; GASKETS - C217

Ref	Part Number	Qty	Description
1	16044524	9	SCREW, Hex, M8 x 65, 8.8, M8x65
2	98462000	1	BRACKET,
3	16044621	3	SCREW, Hex, M8 x 70, 8.8, M8x70
4	16045124	3	SCREW, Hex, M8 x 95, 8.8, M8x95
5	17094924	15	WASHER, 8MM
6	15971724	1	SCREW, Hex, M10 x 1.25 x 95, 8.8, M10x95
7	15972424	2	SCREW, Hex, M10 x 1.25 x 130, 8.8, M10x130
8	15972821	1	SCREW, Hex, M10 x 1.25 x 150, 8.8, M10x150
9	14496604	2	WASHER, M10 x 21 x 2, 10MM
10	11190574	3	WASHER, LOCK, Belleville, M10.5, 10MM
11	12163921	6	NUT, M12 x 1.5, CI 10, M12
12	12646904	6	WASHER, M12 x 28 x 3, 12MM
13	13453721	3	STUD,
14	11343724	1	SCREW, Hex, M10 x 1.25 x 65, 8.8, Cap, HH, M10 x 1,25 x 65
15	13449424	4	STUD, M10x22
16	13552521	2	STUD,
17	98429280	2	GASKET, 20MM
18	14420131	2	SCREW, Hex Soc Hd, M10 x 25, 10.9, M10x25
19	4656139	1	CLIP, HOSE,
20	98436549	1	PLUG, M20
21	8007695	1	PLUG, M20x1
22	4864032	1	GASKET,
23	4687341	1	COVER,
24	11198374	15	WASHER, LOCK, Belleville, M10.5,
25	16204524	3	SCREW, Hex, M10 x 35, M10x35
26	15971424	1	SCREW, Hex, M10 x 1.25 x 80, 8.8, M10x80
27	99462893	1	SUPPORT,
25	15970524	1	SCREW, Hex, M10 x 1.25 x 20, 8.8, Full Thd, M10x20

0.04.3(03) ENGINE COVERS & GASKETS - C217

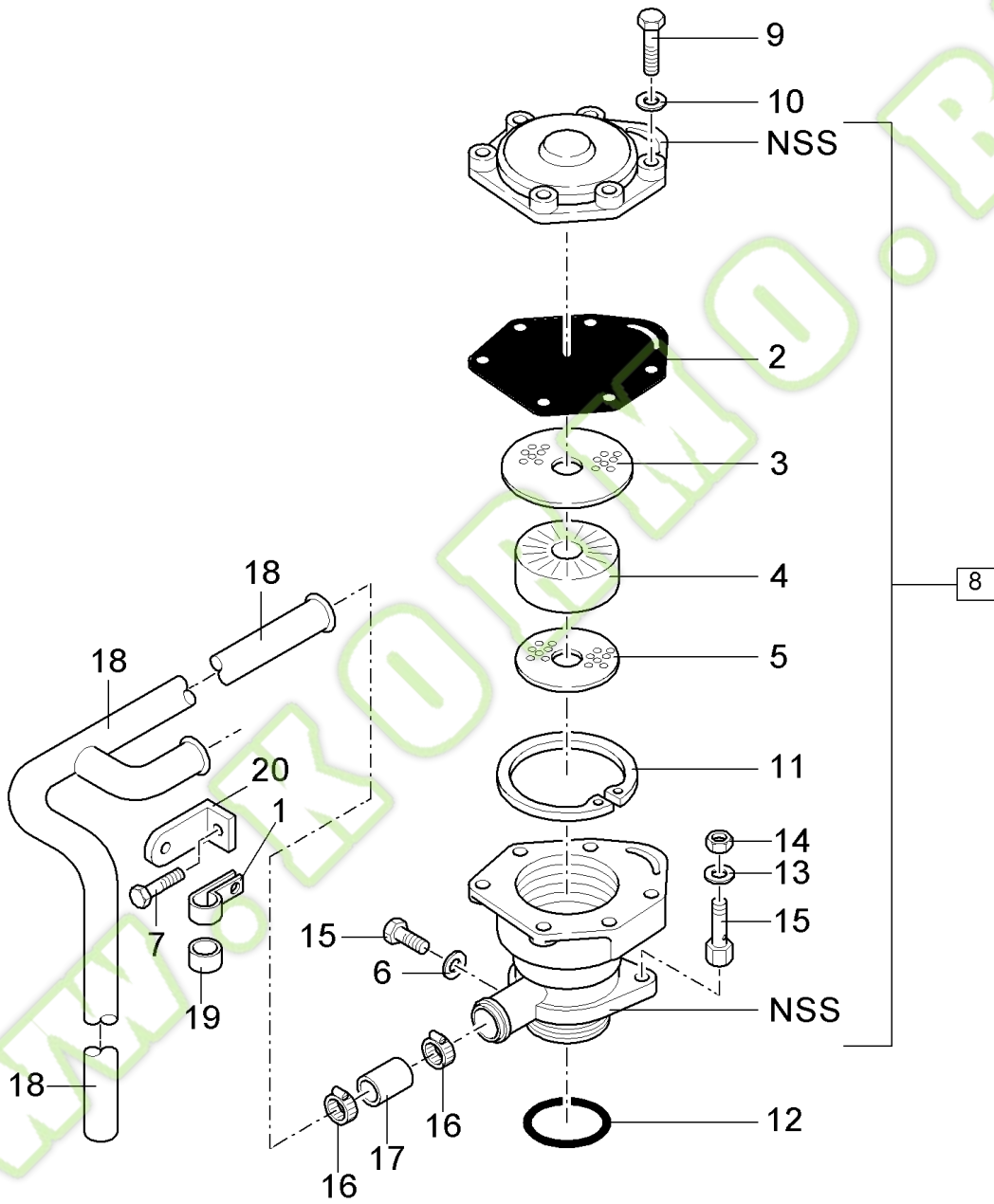
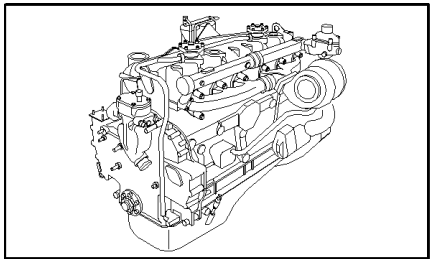


## FX48 SELF-PROPELLED FORAGE HARVESTER (9/98- )

## 0.04.3(03) ENGINE COVERS &amp; GASKETS - C217

Ref	Part Number	Qty	Description
1	98424208	1	GASKET,
2	4773932	1	COVER,
3	15970624	2	SCREW, Hex, M10 x 1.25 x 22, 8.8, Full Thd, M10x20
4	11190574	2	WASHER, LOCK, Belleville, M10.5, 10MM
5	4530113	1	COVER,
6	4863958	1	GASKET,
7	10902224	8	SCREW, Hex, M6 x 16, 8.8, Full Thd, Cap, HH, CL 8.8, M6 x 1 x 16
8	11197774	8	WASHER, LOCK, Belleville, M6.4,
9	4643582	1	INJECTION PUMP SUPPORT,
10	10837710	2	DOWEL,
11	16326521	1	SCREW, M12x45
12	16326824	2	SCREW, M12x60
13	16327024	1	SCREW, M12x70
14	4626942	2	BUSHING,
15	99481101	1	COVER,
16	98464890	1	GASKET, D=74
17	98464798	1	GASKET, D=274
18	12649624	1	WASHER, LOCK,
19	61315660	1	OPERATOR TIMING REF/INDE,
20	98467213	1	GASKET,
21	15540734	10	SCREW, Hex, M12 x 1.25 x 45, 10.9, M12x45
22	4837398	10	WASHER, 12MM
23	15860131	1	SCREW, Hex, M14 x 1.5 x 50, 10.9, M14x50
24	15977531	3	SCREW, Hex, M14 x 1.5 x 60, 10.9, M14x60
25	4604279	4	WASHER,
26	4749426	1	PLATE, COVER,
28	11193874	4	WASHER, LOCK, Belleville, M8.4, 8MM
29	4651691	1	COVER,
30	15970724	1	SCREW, Hex, M10 x 1.25 x 25, 8.8, Full Thd, Cap, HH, CL 8.8, M10 x 1.25 x 25
31	11190574	1	WASHER, LOCK, Belleville, M10.5, 10MM
32	4935929	1	COVER,
33	14459781	1	O-RING, -139, CI 7, 2.175" ID x .103" Thk,
34	4692004	1	O-RING,
27	16043224	4	SCREW, Hex, M8 x 16, 8.8, Full Thd, M8x16

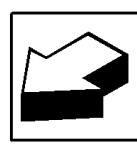
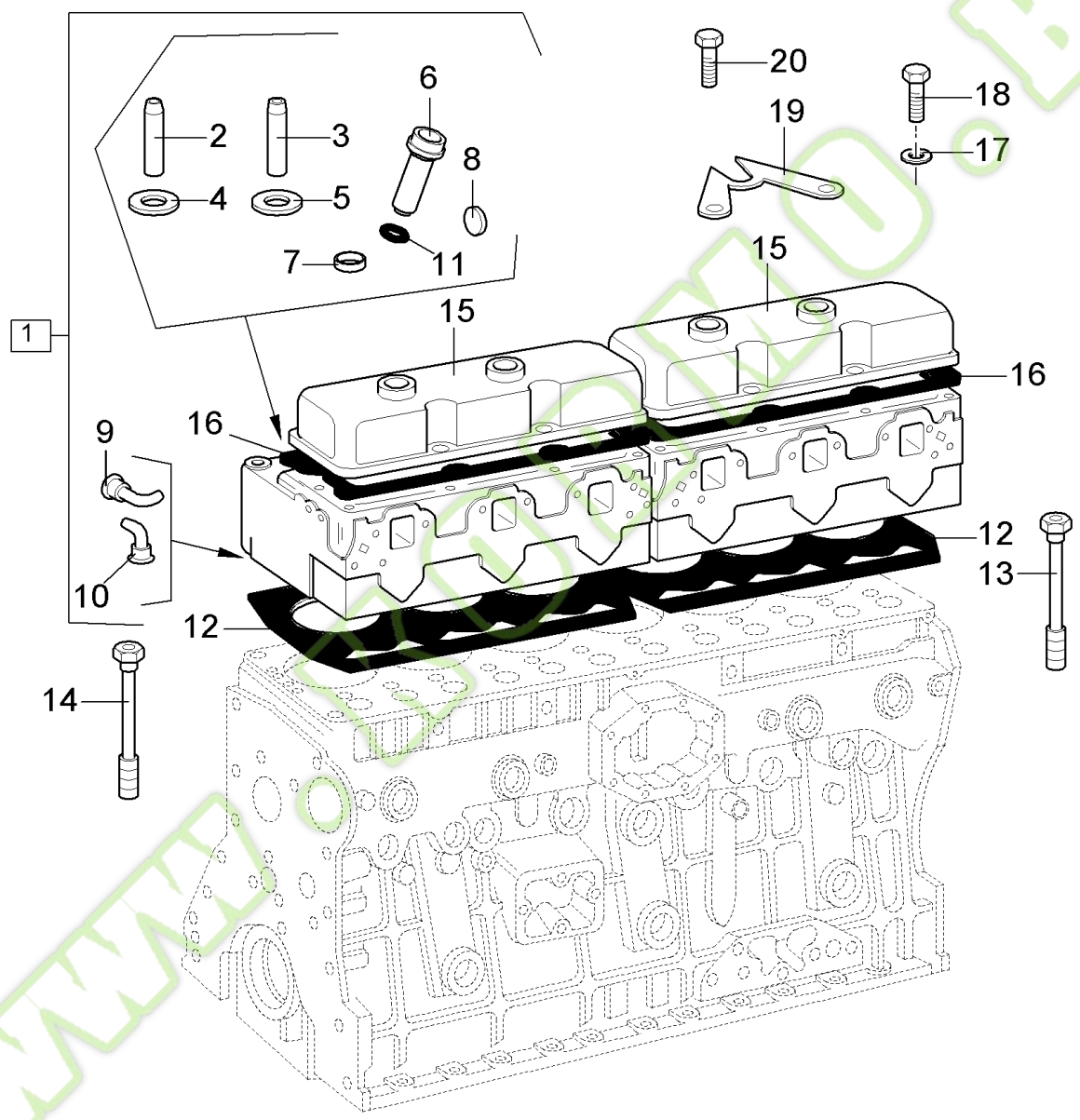
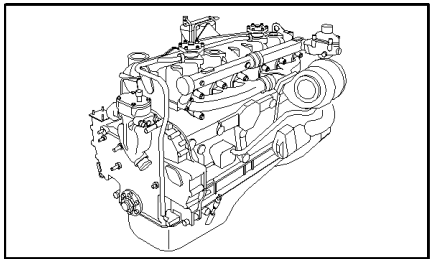
0.04.5(01) BREATHERS - C217



## FX48 SELF-PROPELLED FORAGE HARVESTER (9/98- )

## 0.04.5(01) BREATHERS - C217

Ref	Part Number	Qty	Description
1	4760226	1	BRACKET,
2	61320345	2	GASKET,
3	4771080	2	PLATE, BASE,
4	4771079	2	FILTER, ELEMENT,
5	4771081	2	PLATE, BASE,
6	10296360	1	GASKET, M10.2 x 1 x 5, Copper,
7	16044621	1	SCREW, Hex, M8 x 70, 8.8, M8x70
8	61320347	2	BREATHER, (2 to 5,6,9,10,15)
9	10902824	12	SCREW, 1/4" x 1 1/4",
10	17094714	12	WASHER, LOCK,
11	11062176	2	RING, LOCKING,
12	14464281	2	O-RING, -224, CI 7, 1.734" ID x .139" Thk,
13	12646704	4	WASHER, M8 x 20 x 2,
14	16100821	4	NUT, M8, CI 10,
15	11903111	3	PLUG,
16	13000590	2	CLIP, HOSE,
17	99462894	2	HOSE,
18	99462895	1	TUBE, RIGID,
19	4747140	1	PAD,
20	99462893	1	SUPPORT,

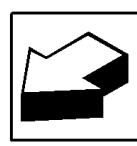
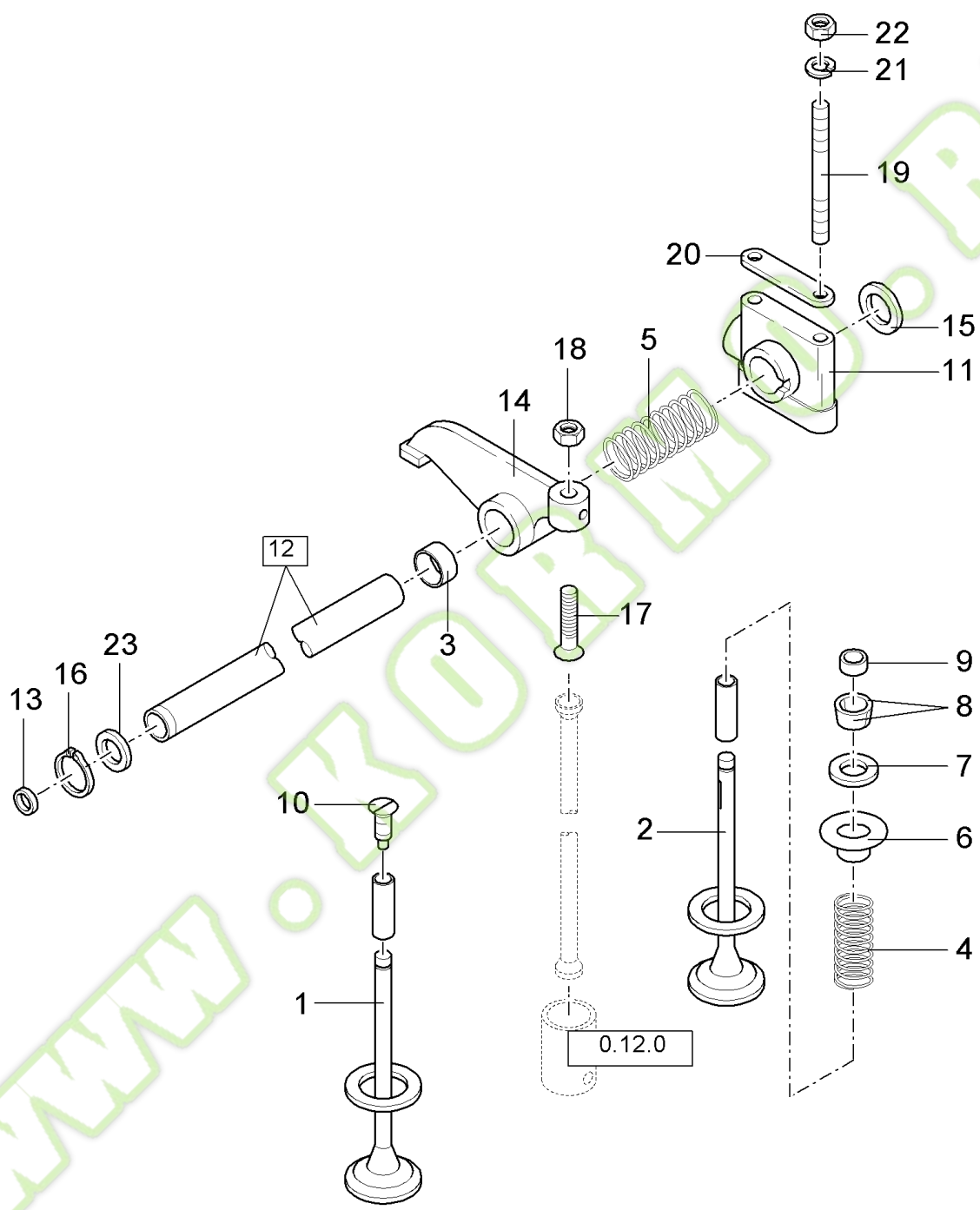
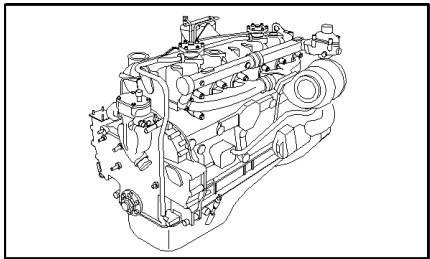


## FX48 SELF-PROPELLED FORAGE HARVESTER (9/98- )

## 0.06.0(01) CYLINDER HEAD - COVERS - C217

Ref	Part Number	Qty	Description
1	500312755	2	CYLINDER HEAD, (2 to 11)
2	4630923	6	GUIDE, Intake valve +0.00
2	4630924	6	GUIDE, Intake valve +0.04
2	4630926	6	GUIDE, Intake valve +0.24
3	4648237	6	GUIDE, Exhaust valve +0.00
3	4648238	6	GUIDE, Exhaust valve +0.04
3	4648240	6	GUIDE, Exhaust valve +0.24
4	98444350	6	SEAT/SLOT, Intake valve +0.00
4	98444352	6	SEAT/SLOT, Intake valve +0.20
5	4673864	6	SEAT/SLOT, Exhaust valve +0.00
5	4673868	6	SEAT/SLOT, Exhaust valve +0.20
6	4817147	6	CASE,
7	61584412	4	PLUG,
8	14282670	16	PLUG, D=32
9	4623879	6	CONVEYOR,
10	4638192	6	CONVEYOR,
11	14453981	12	GASKET, -022, CI 7, .989 " ID x .070" Thk, O-Ring -022, CL 7, .989 " ID x .070" Thk
12	99465715	2	GASKET, CYLINDER HEAD,
13	4769615	30	SCREW,
14	4769616	4	SCREW,
15	98474814	2	COVER,
16	98480127	2	GASKET,
17	10519601	16	WASHER, M8 x 17 x 2,
18	16044524	16	SCREW, Hex, M8 x 65, 8.8, M8x65
19	4786119	2	GUARD,
20	13450530	12	STUD, M10x70

0.06.0(02) CYLINDER HEAD - C217



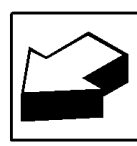
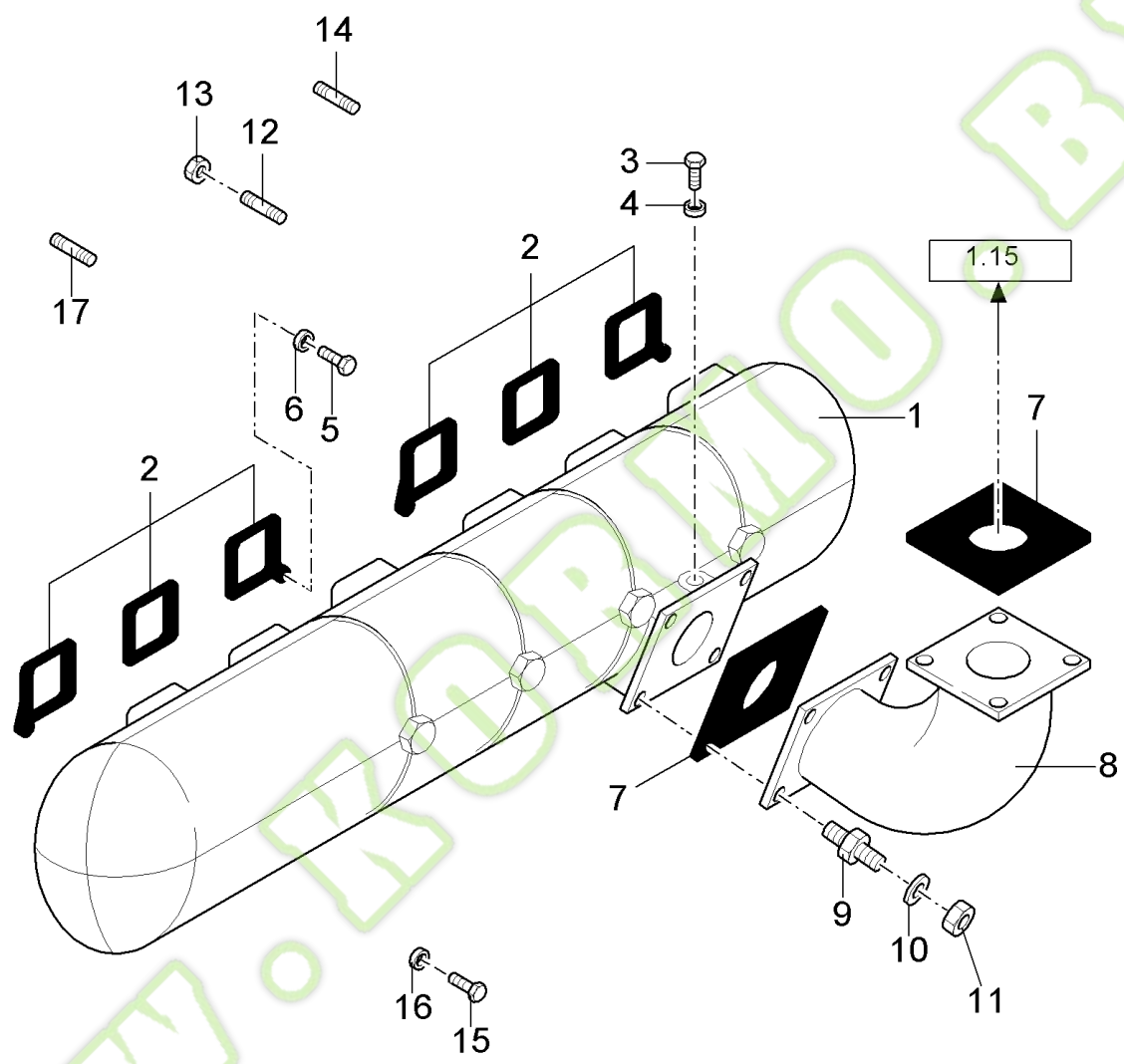
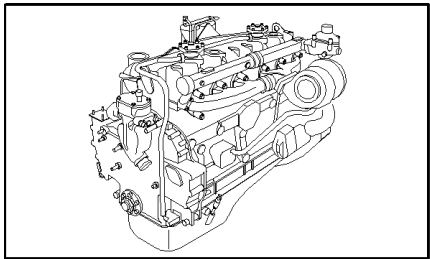


## FX48 SELF-PROPELLED FORAGE HARVESTER (9/98- )

## 0.06.0(02) CYLINDER HEAD - C217

Ref	Part Number	Qty	Description
1	98478407	6	VALVE, ENGINE, INLET, STD,
2	98474604	6	VALVE, ENG EXHAUST, STD,
3	99434732	12	BUSHING,
4	98474605	12	SPRING,
5	604369	4	SPRING,
6	98474126	12	CUP,
7	98474128	12	WASHER,
8	14196470	24	COTTER, ROCKER ARM,
9	98474127	12	CAP, FLANGE COVER,
10	4526961	2	SCREW,
11	99466874	6	SUPPORT,
12	99466887	2	SHAFT, (13)
13	14328501	4	PLUG,
14	99431534	6	ROCKER ARM,
14	99431535	6	ROCKER ARM,
15	4544152	8	WASHER,
16	16866476	4	RING,
17	98474606	12	SCREW,
18	61584377	12	NUT,
19	61316738	12	SCREW,
20	4546228	6	PLATE,
21	11198374	12	WASHER, LOCK, Belleville, M10.5,
22	12164721	12	NUT, M10 x 1.25, CI 10,
23	4544152	4	WASHER, 1.5MM
23	4544153	4	WASHER, 2MM
23	4544154	4	WASHER, 2.5MM

0.07.1(01) INTAKE MANIFOLD - C217



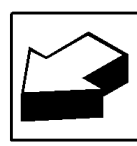
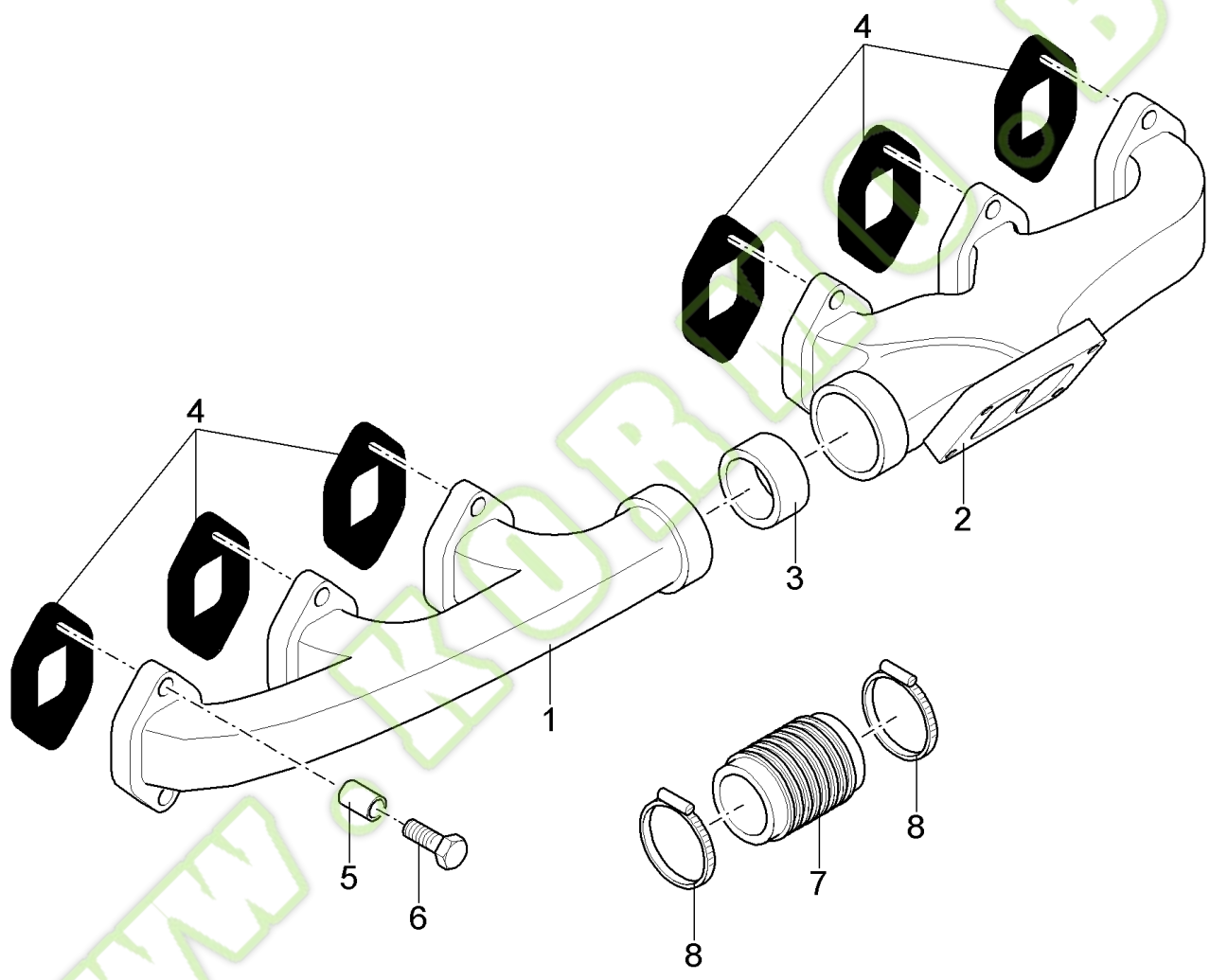
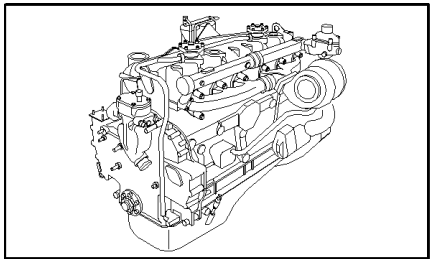
## FX48 SELF-PROPELLED FORAGE HARVESTER (9/98- )

## 0.07.1(01) INTAKE MANIFOLD - C217

Ref	Part Number	Qty	Description
1	99462896	1	MANIFOLD, INLET,
2	99440847	6	GASKET,
3	4595833	1	PLUG,
4	98429280	1	GASKET,
5	15972821	6	SCREW, Hex, M10 x 1.25 x 150, 8.8, M10x150
6	12642521	12	WASHER, M10 x 22 x 2,
7	14466081	1	GASKET, -242, CI 7, 3.984" ID x .139" Thk,
8	500336568	1	ELBOW,
9	16748824	4	STUD,
10	14496604	4	WASHER, M10 x 21 x 2,
11	15500121	4	NUT,
12	13449930	6	STUD,
13	12164721	6	NUT, M10 x 1.25, CI 10, M10
14	13516821	6	STUD, M8x12x20
15	10304911	1	SCREW, M20x15
16	11270660	1	WASHER,
17	13517020	1	STUD,

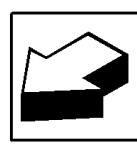
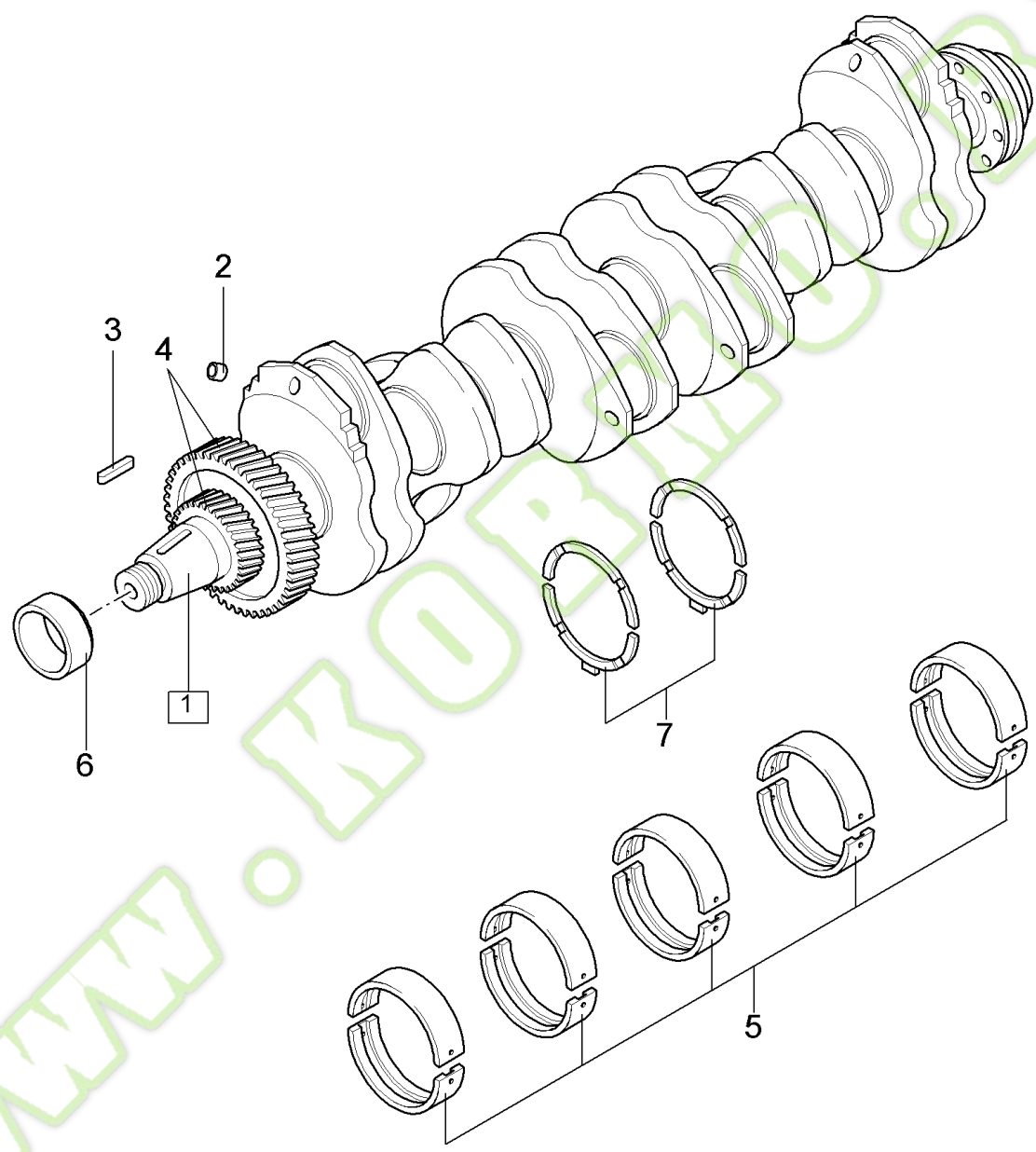
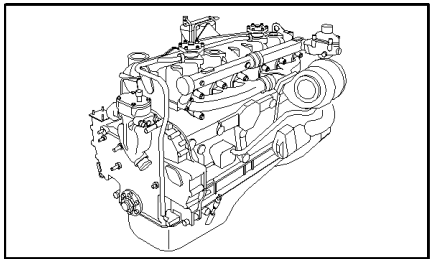
WWW.KORMO.BY

0.07.7(01) EXHAUST MANIFOLD - C217



Ref	Part Number	Qty	Description
1	99440797	1	MANIFOLD, EXHAUST, Front
2	99440798	1	MANIFOLD, EXHAUST, Rear
3	98468346	1	RING, L=57MM
3	500312229	1	RING, L=51MM
4	98409494	6	GASKET,
5	99436243	12	SPACER,
6	98484591	12	SCREW, M12x80
7	99440595	1	BELLOWS,
8	500305817	2	SEALING RING COLLAR,

WWW.KORMO.BY



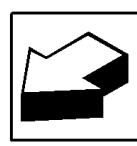
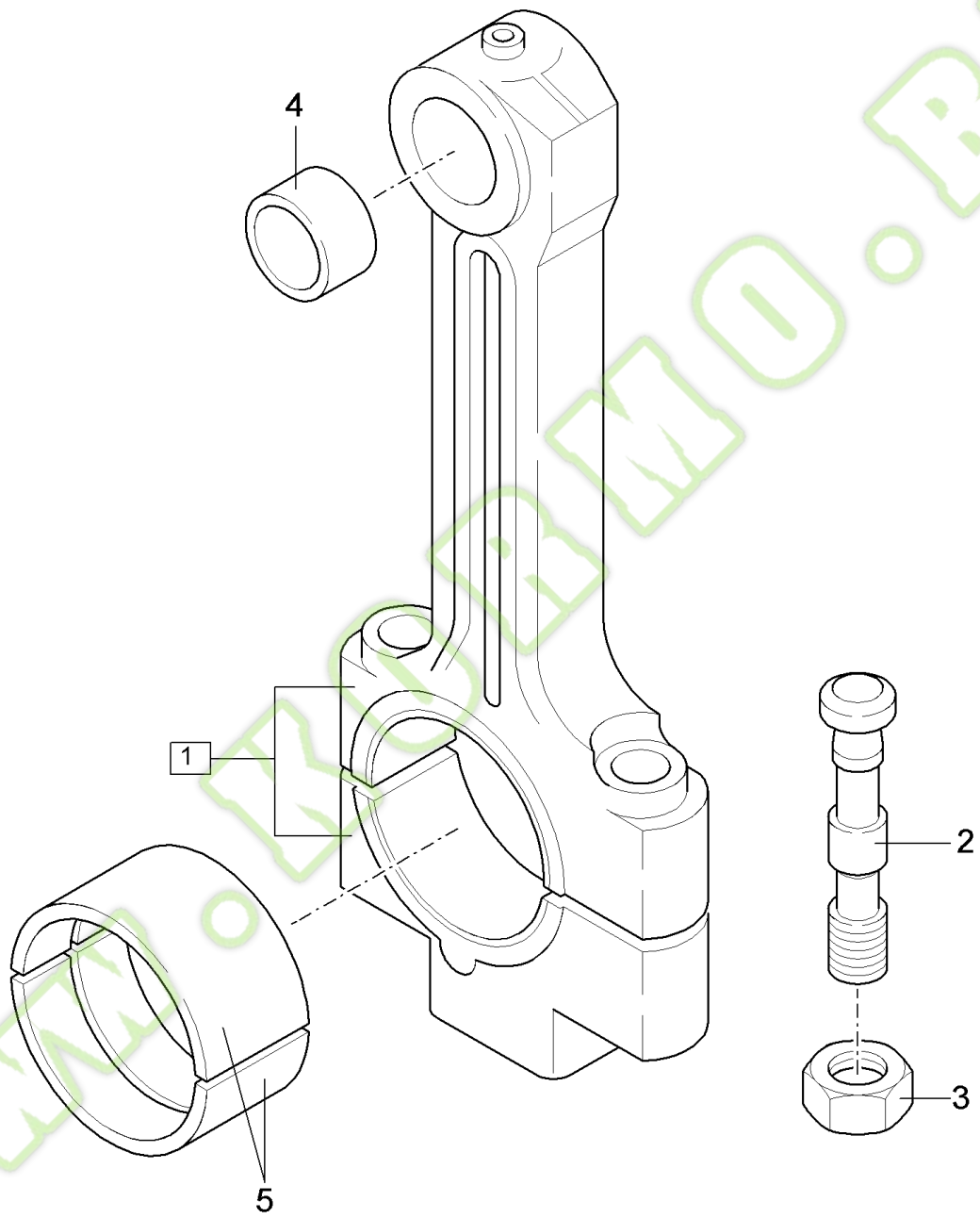
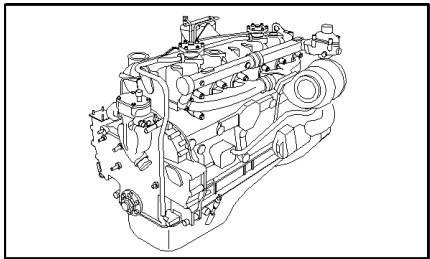
## FX48 SELF-PROPELLED FORAGE HARVESTER (9/98- )

## 0.08.0(01) CRANKSHAFT - C217

Ref	Part Number	Qty	Description
1	500322827	1	CRANKSHAFT, (2 to 6), FOR FX28-38-48 ONLY
2	14282070	6	PLUG,
3	4606319	1	KEY,
4	500300199	1	GEAR, DRIVING,
5	1901367	1	SET OF MAIN BRGS.STD, , FOR FX28 ONLY
5	1901368	1	SET OF MAIN BRGS -0.254, , FOR FX28 ONLY
5	1901369	1	SET OF MAIN BRGS -0.508mm, , FOR FX28 ONLY
5	1908425	1	SET OF MAIN BRGS.STD, , FOR FX38-48 ONLY
5	1908679	1	SET OF MAIN BRGS -0.254, , FOR FX38-48 ONLY
6	98420369	1	RING,
7	1908678	1	SET, THRUST WASHERS+0.102,
7	1901203	1	SET, THRUST WASHERS (STD), , FOR FX28 ONLY
7	1908424	1	SET, THRUST WASHERS (STD), , FOR FX38-48 ONLY

WWW.KORMO.BY

0.08.1(01) CONNECTING ROD - C217



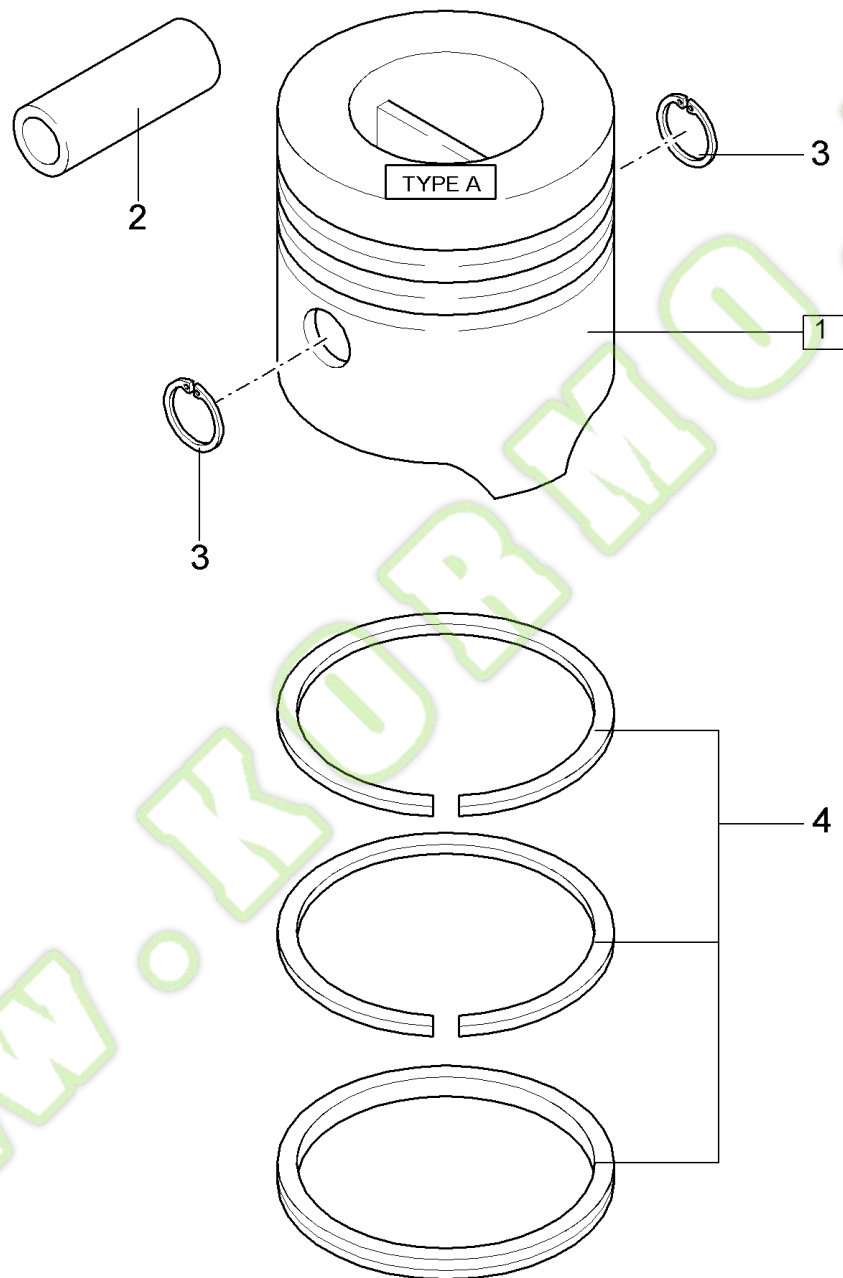
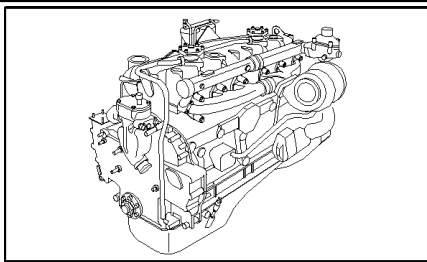


## 0.08.1(01) CONNECTING ROD - C217

Ref	Part Number	Qty	Description
1	98452330	6	ROD, CONNECTING, (2 to 4)
2	4633536	12	SCREW,
3	4693706	12	NUT,
4	4787170	6	BUSHING,
5	1902080	6	SET OF MAIN BRGS.STD,
5	1902081	6	SET OF MAIN BRGS -0.254,
5	1902082	6	SET OF MAIN BRGS -0.508mm,

WWW.KORMO.BY

0.08.2(01) ENGINE PISTON - C217



FX48 SELF-PROPELLED FORAGE HARVESTER (9/98- )

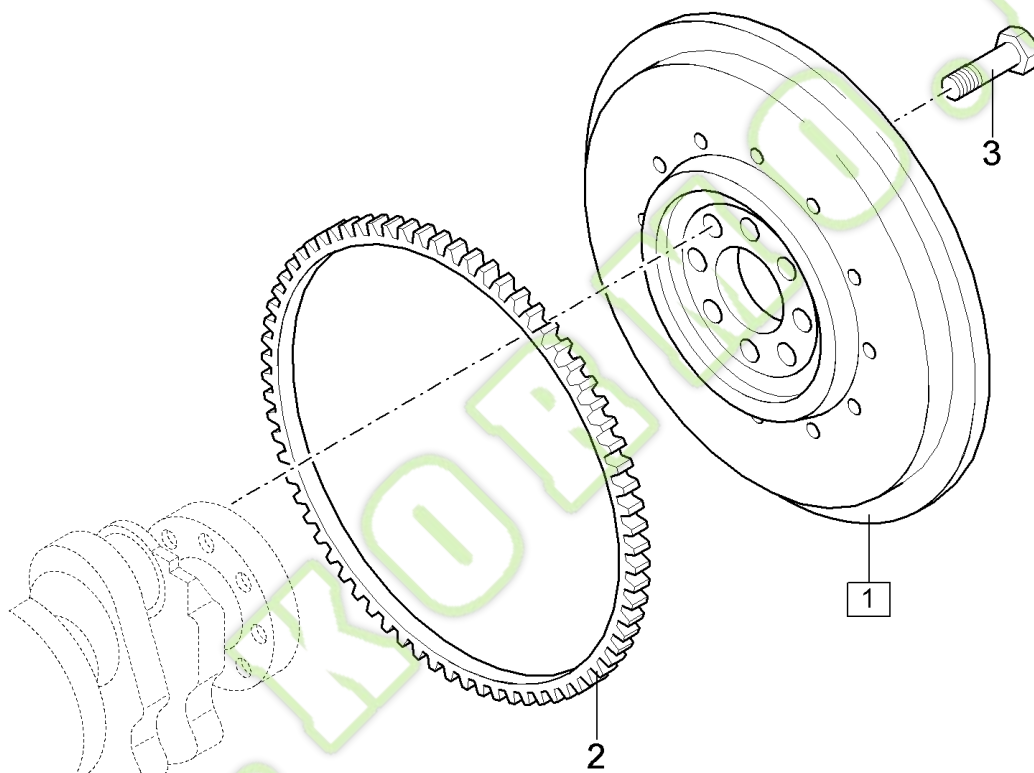
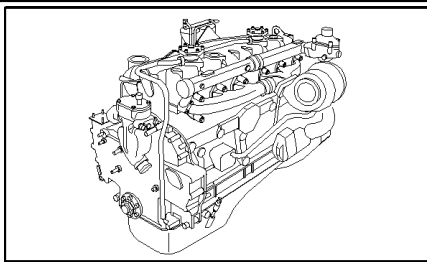
0.08.2(01) ENGINE PISTON - C217

Ref	Part Number	Qty	Description
1	1907473	6	PISTON ASSY., (2 to 4), FOR FX28 ONLY
1	1908903	6	PISTON ASSY., (2 to 4), FOR FX38-48 ONLY
2	98411376	6	PIN, PISTON,
3	11060476	12	CIRCLIP,
4	1907470	6	SET OF RINGS, , FOR FX28 ONLY
4	1908904	6	SET OF RINGS, , FOR FX38-48 ONLY

WWW.KORMO.BY



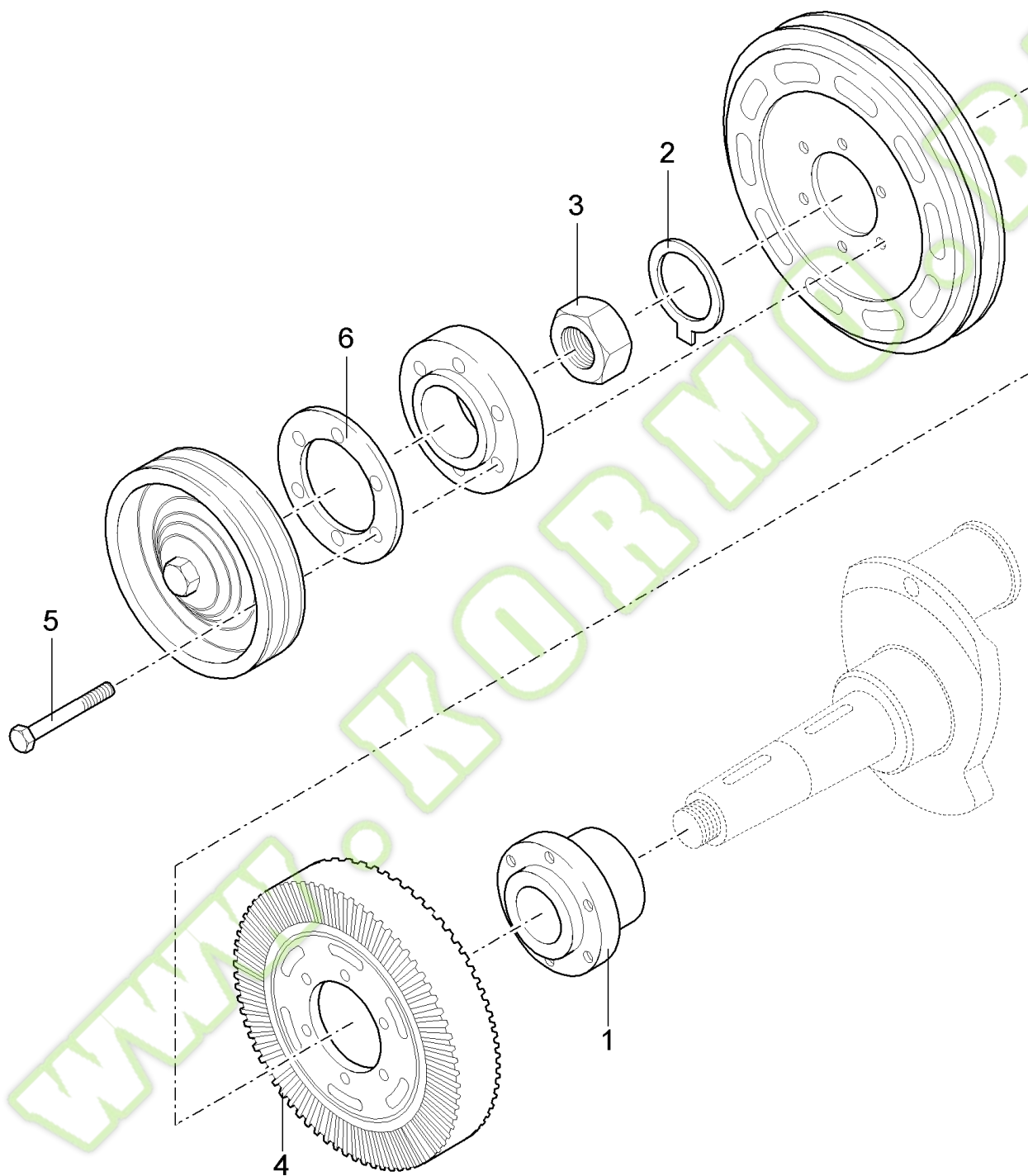
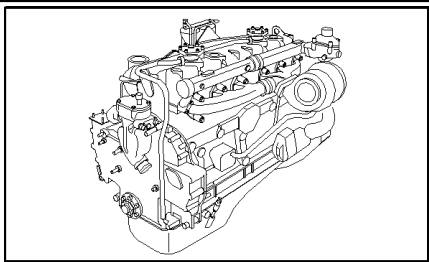
0.08.3(01) FLYWHEEL - C217



Ref	Part Number	Qty	Description
1	99485423	1	FLYWHEEL, ENGINE, (2), FOR FX28 ONLY
1	99485424	1	FLYWHEEL, ENGINE, (2), FOR FX38-48 ONLY
2	4651279	1	GEAR, RING,
3	4765554	8	SCREW,

WWW.KORMO.BY

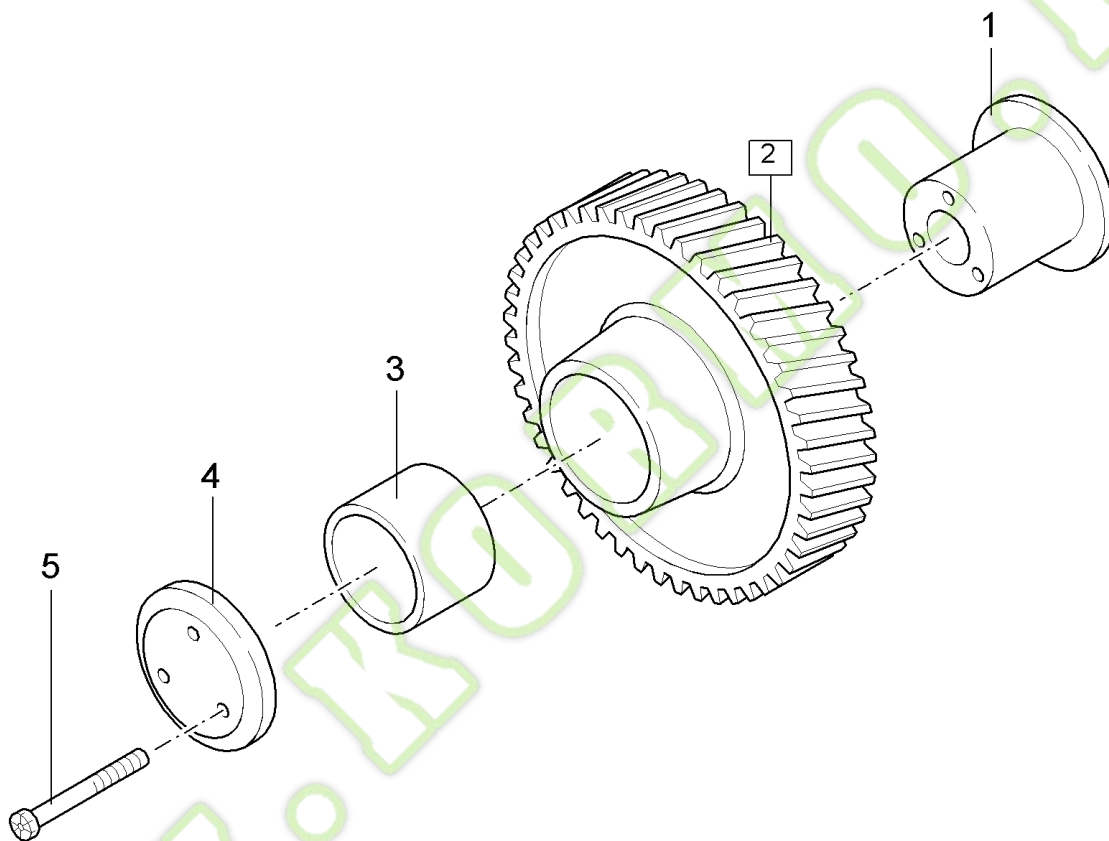
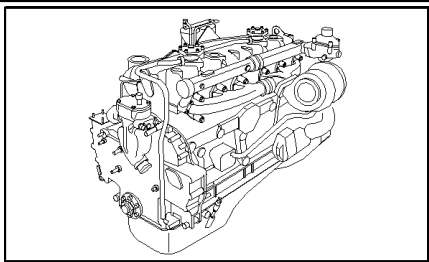
0.08.4(01) CRANKSHAFT PULLEY - C217



## 0.08.4(01) CRANKSHAFT PULLEY - C217

Ref	Part Number	Qty	Description
1	4848241	1	HUB,
2	4607074	1	PLATE, LOCKING,
3	4607073	1	NUT,
4	99462897	1	DAMPER, 12 INCH
5	16326124	6	SCREW,
6	61316071	1	WASHER,

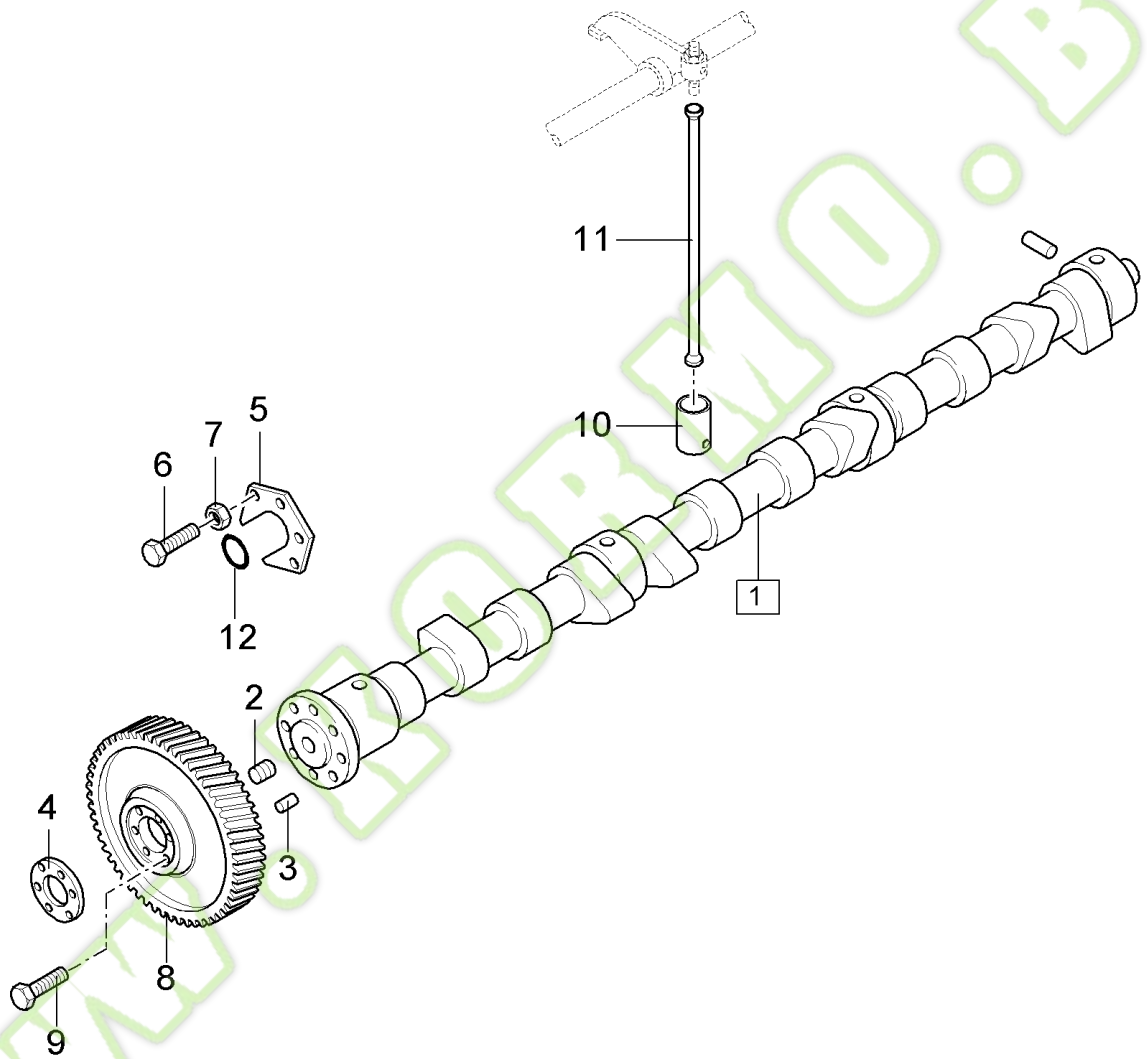
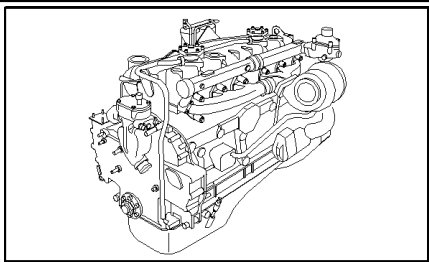
WWW.KORMO.BY





Ref	Part Number	Qty	Description
1	98417585	1	SHAFT,
2	98436033	1	GEAR, DRIVEN, (3)
3	98418593	1	BUSHING,
4	98420367	1	FLANGE,
5	98420368	3	SCREW,

WWW.KORMO.BY



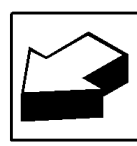
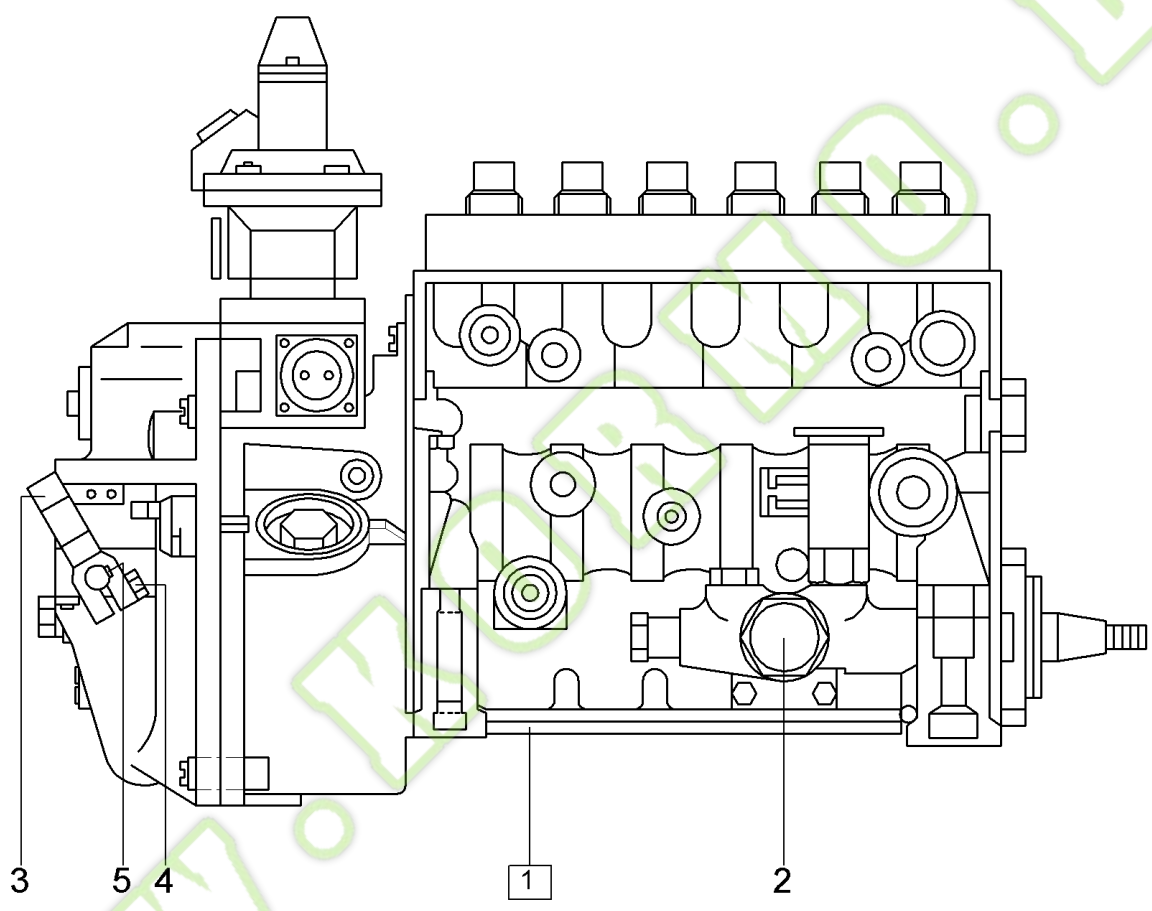
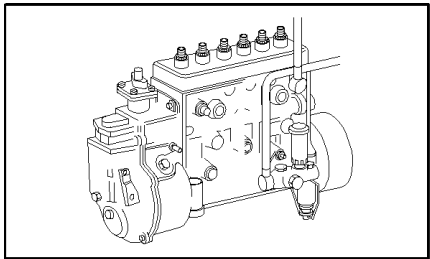
## FX48 SELF-PROPELLED FORAGE HARVESTER (9/98- )

## 0.12.0(01) CAMSHAFT - C217

Ref	Part Number	Qty	Description
1	99457896	1	CAMSHAFT, (2,3)
2	4623643	1	PLUG,
3	4619885	1	DOWEL,
4	4772396	1	SPACER,
5	98434327	1	PLATE,
6	14307630	3	SCREW, Hex Soc Hd, M10 x 1.25 x 35, 10.9,
7	11198374	3	WASHER, LOCK, Belleville, M10.5,
8	98418372	1	GEAR,
9	16323430	6	SCREW, M10x25
10	99432644	12	TAPPET,
10	99433717	12	TAPPET,
10	99433718	12	TAPPET,
10	99433719	12	TAPPET,
11	99432740	12	ROD,
12	14457681	1	O-RING, -118, CI 7, .862" ID x .103" Thk,

WWW.KORMO.BY

0.14.0(01) INJECTION PUMP - C217

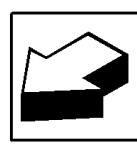
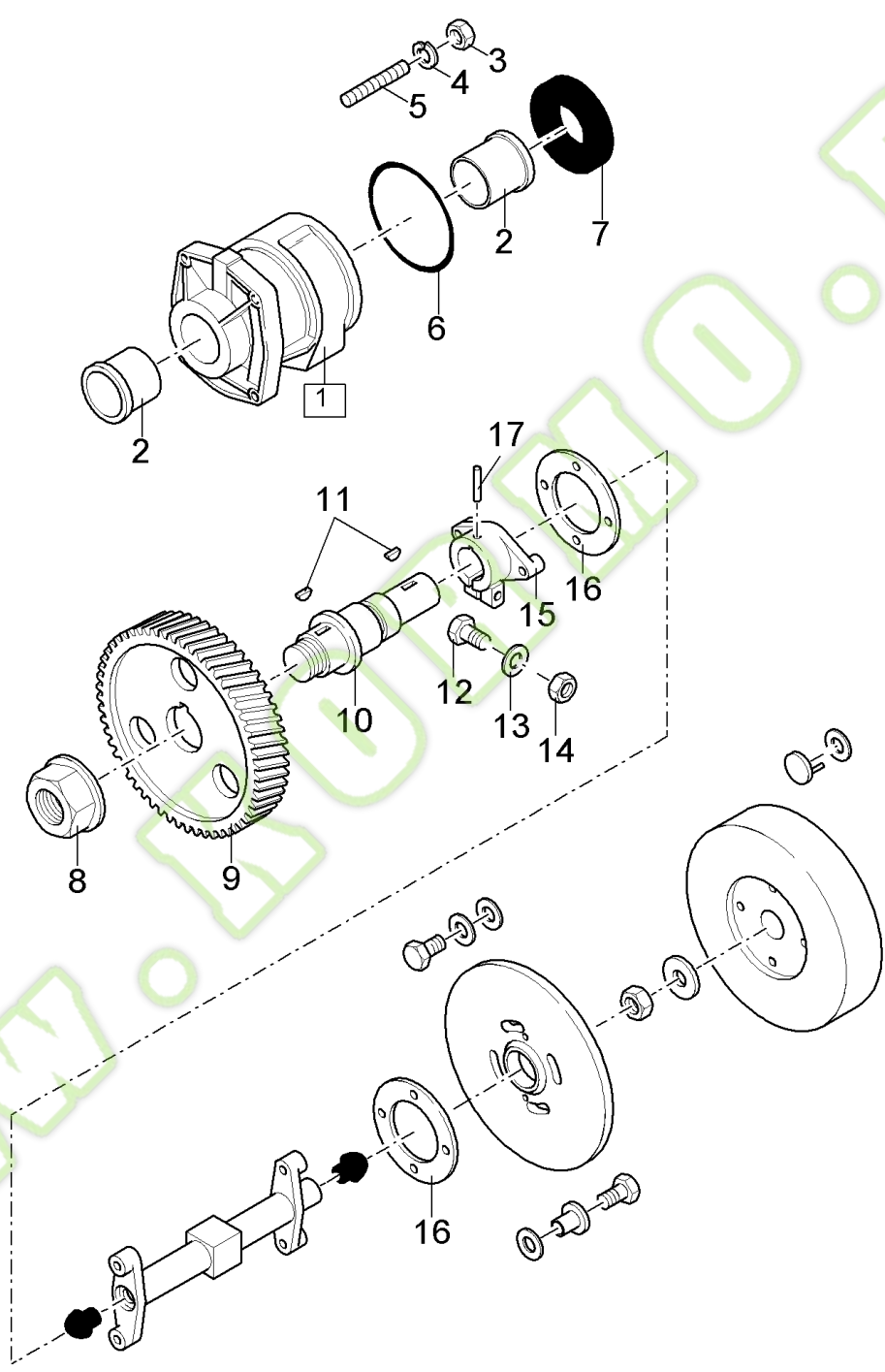
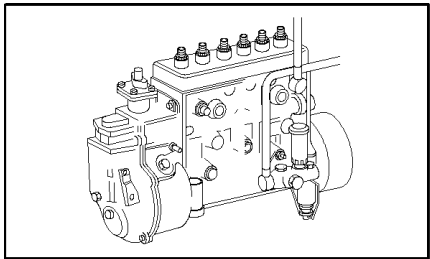


## FX48 SELF-PROPELLED FORAGE HARVESTER (9/98- )

## 0.14.0(01) INJECTION PUMP - C217

Ref	Part Number	Qty	Description
1	500353979	1	PUMP, FUEL INJECTION, , FOR FX28 ONLY
1	99484370	1	PUMP, FUEL INJECTION, , FOR FX28 NA ONLY, BSN C127
1	500353979	1	PUMP, FUEL INJECTION, , FOR FX28 NA ONLY, ASN D128
1	500353980	1	PUMP, FUEL INJECTION, , FOR FX38-FX38NA ONLY
1	500353981	1	PUMP, FUEL INJECTION, , FOR FX48 ONLY
2	8022632	1	PUMP, FUEL, , FOR FX28 NA ONLY, BSN C127
2	8017832	1	PUMP, FUEL, , FOR FX28 NA ONLY, ASN D128
2	8017832	1	PUMP, FUEL, , FOR FX28 ONLY
2	8022632	1	PUMP, FUEL, , FOR FX38-FX38NA-FX48 ONLY
3	8022424	1	LEVER,
4	16602124	1	SCREW,
5	98417458	1	KEY,

WWW.KORMO.BY

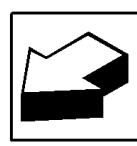
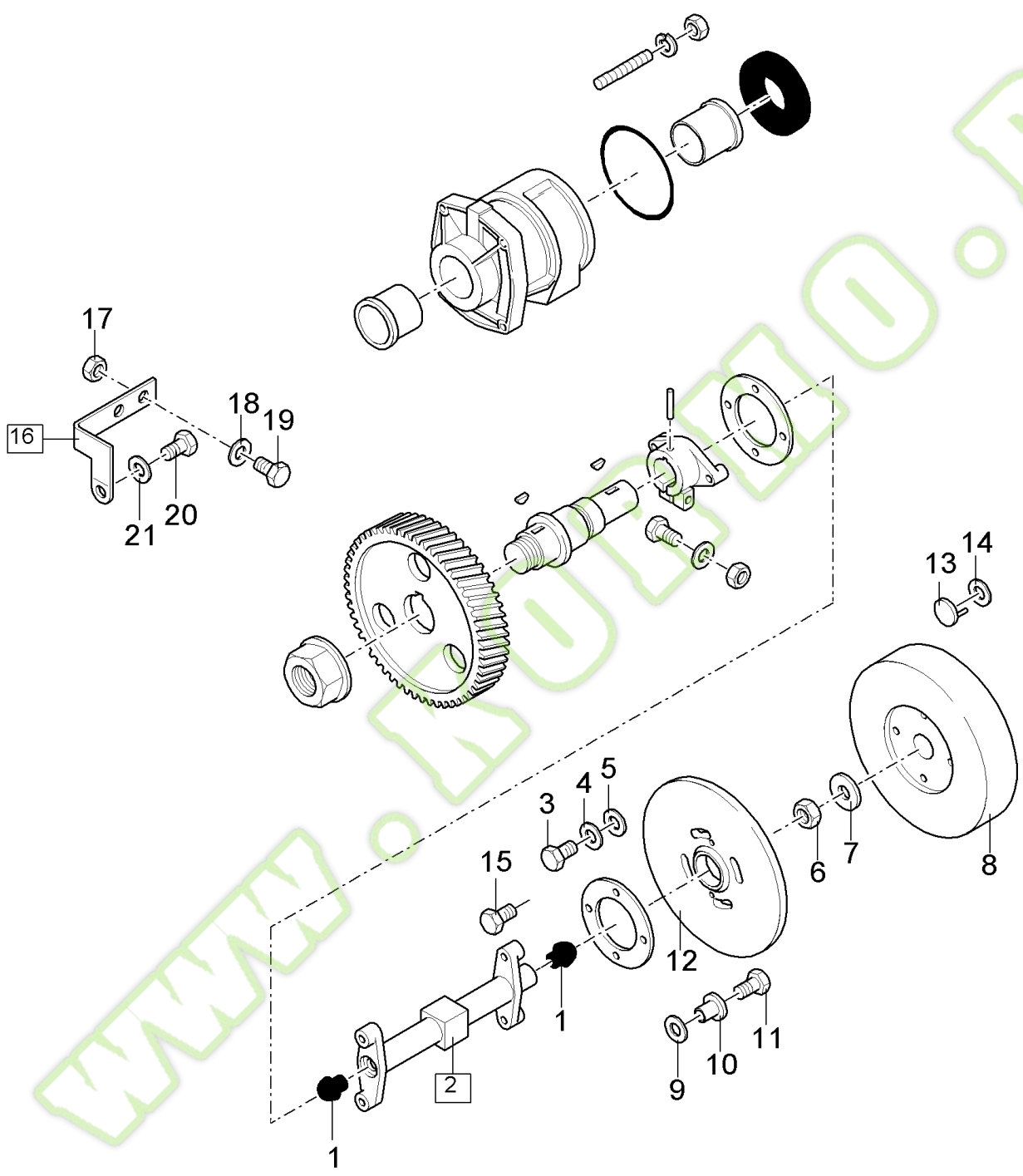
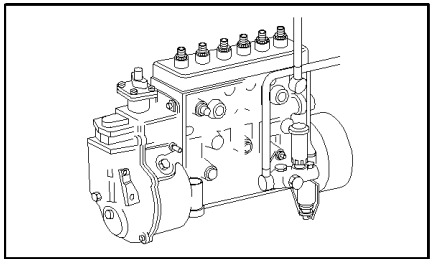


## FX48 SELF-PROPELLED FORAGE HARVESTER (9/98- )

## 0.14.0(02) INJECTION PUMP, COMPONENTS - C217

Ref	Part Number	Qty	Description
1	98446002	1	SUPPORT, (2)
2	4776216	2	BUSHING,
3	12164721	4	NUT, M10 x 1.25, CI 10,
4	11198374	4	WASHER, LOCK, Belleville, M10.5,
5	13449424	4	STUD,
6	14457981	1	O-RING, -121, CI 7, 1.049" ID x .103" Thk,
7	98467215	1	GASKET,
8	500300648	1	NUT,
9	98418371	1	GEAR,
10	500300622	1	SHAFT,
11	10206320	2	KEY,
12	99450170	1	SCREW,
13	98462135	1	WASHER,
14	17042931	1	NUT,
15	99448170	1	BUSHING, DRIVE,
16	4882440	12	WASHER,
17	99478033	1	PIN, ROLL,

WWW.KORMO.BY

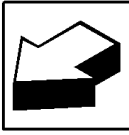
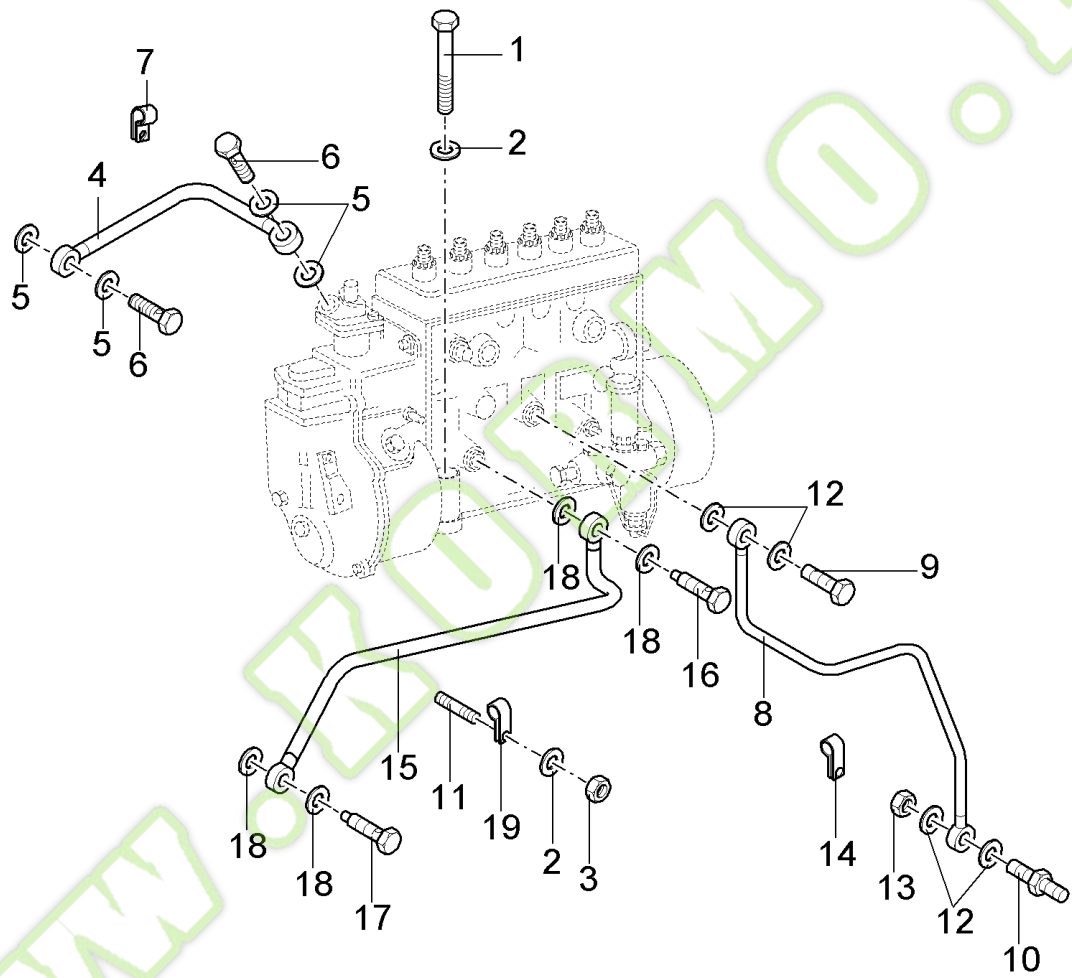
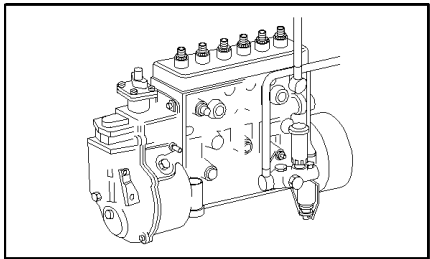




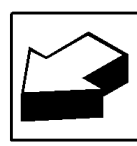
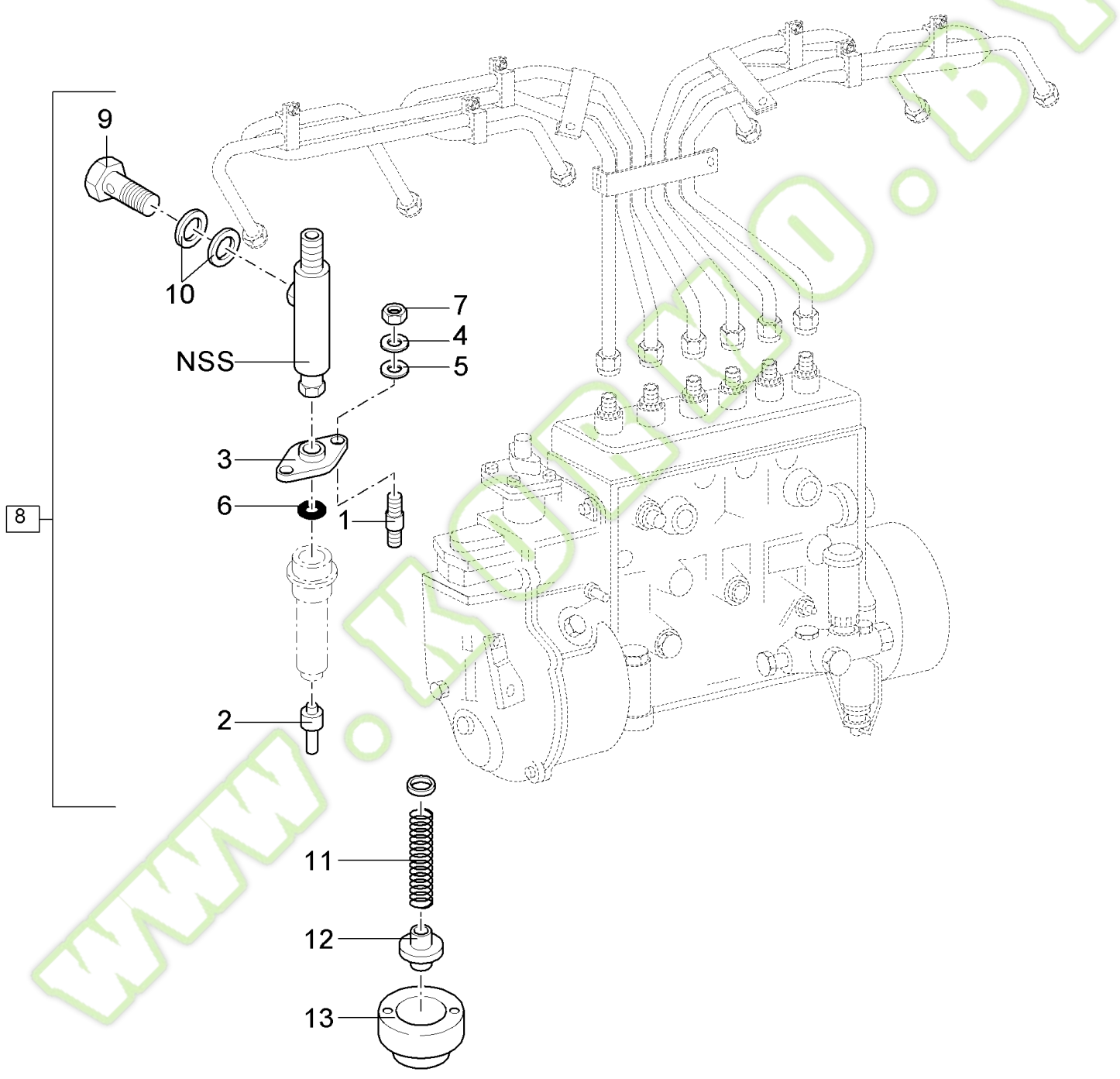
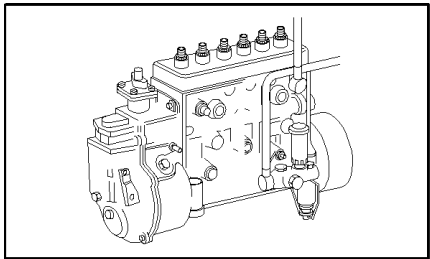
## FX48 SELF-PROPELLED FORAGE HARVESTER (9/98- )

## 0.14.0(03) INJECTION PUMP, COMPONENTS - C217

Ref	Part Number	Qty	Description
1	98469608	2	INSULATOR BLOCK,
2	98469619	1	SHAFT, (1)
4	11190574	4	WASHER, LOCK, Belleville, M10.5,
5	12626021	4	WASHER, M10 x 22 x 3,
6	17039221	1	NUT,
7	11191674	1	WASHER, Belleville, M19,
8	99439042	1	WEIGHT, ADVANCE DEVICE,
9	4882441	8	WASHER,
10	99447927	8	BUSHING,
11	99462519	8	SCREW,
12	500304324	1	FLYWHEEL, ENGINE,
13	98425632	4	CAM,
14	61316640	4	WASHER,
15	500330982	1	SCREW, , FOR FX38-48 ONLY
16	4756612	1	CONTROL UNIT, (17 to 21), FOR FX38-48 ONLY
17	4756616	1	NUT, , FOR FX38-48 ONLY
18	10516474	1	WASHER, LOCK, , FOR FX38-48 ONLY
19	10902224	1	SCREW, Hex, M6 x 16, 8.8, Full Thd, Cap, HH, CL 8.8, M6 x 1 x 16, FOR FX38-48 ONLY
20	4756615	1	SCREW, , FOR FX38-48 ONLY
21	4799685	1	WASHER,
3	11306924	3	SCREW, Hex, M10 x 1.25 x 30, 8.8, Full Thd,



Ref	Part Number	Qty	Description
2	11198374	4	WASHER, LOCK, Belleville, M10.5,
3	16100821	1	NUT, M8, CI 10,
4	98494095	1	TUBE, RIGID,
5	98474306	4	GASKET,
6	4864082	2	BOLT, BANJO,
7	4625281	1	COLLAR,
8	98464613	1	TUBE, RIGID,
9	4864079	1	BOLT, BANJO,
10	4621393	1	CONNECTOR, HYD.,
11	13543021	1	STUD,
12	98474305	5	WASHER, SEALING,
13	500302824	1	PLUG,
14	10449890	1	COLLAR, RETAINER,
15	98430116	1	TUBE, RIGID,
16	98479387	1	BOLT, BANJO,
17	4864083	1	BOLT, BANJO,
18	98474308	4	WASHER, SEALING,
19	10450190	1	COLLAR, RETAINER,
1	15971624	4	SCREW, Hex, M10 x 1.25 x 90, 8.8,

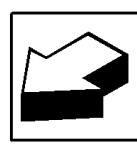
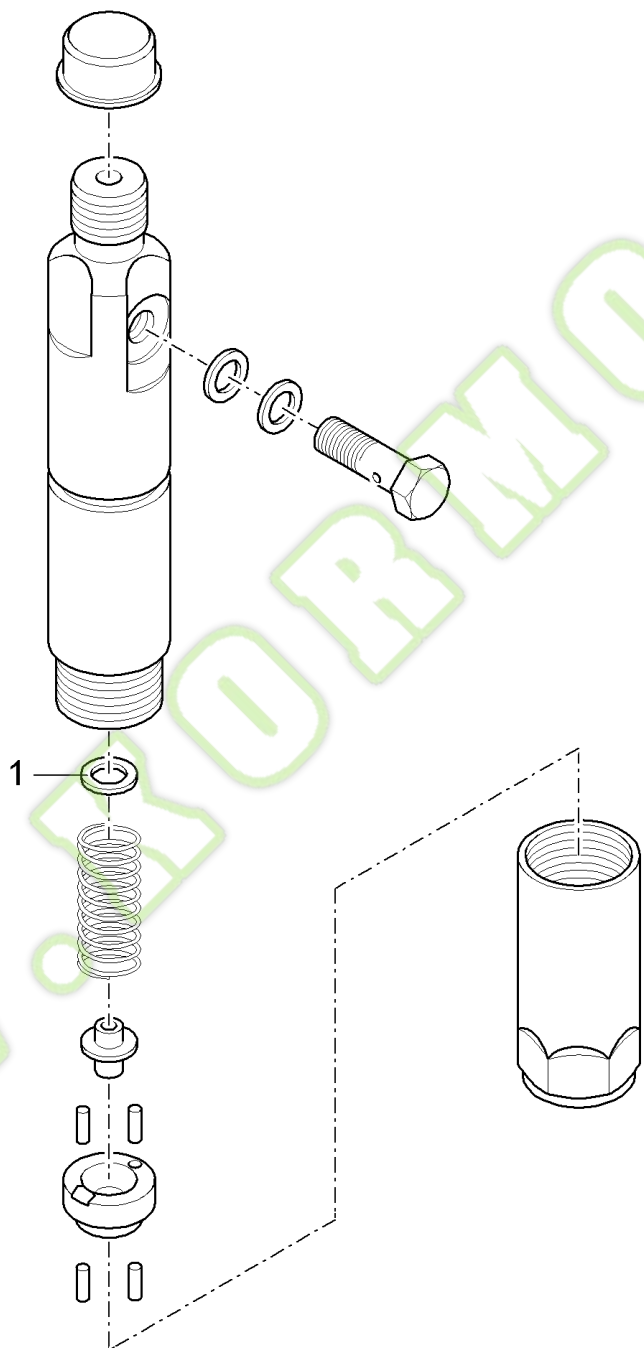
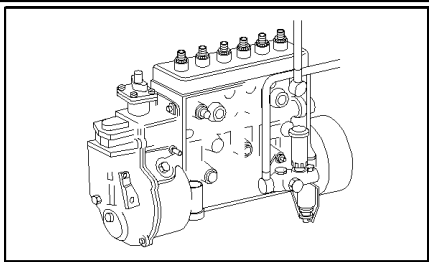


## FX48 SELF-PROPELLED FORAGE HARVESTER (9/98- )

## 0.14.0(05) INJECTION PUMP, NOZZLES - C217

Ref	Part Number	Qty	Description
1	13449934	12	STUD,
2	99434328	6	NOZZLE, , FOR FX28 ONLY
2	500301635	6	NOZZLE, , FOR FX38-48 ONLY
3	98406199	6	BRACKET,
4	11190574	12	WASHER, LOCK, Belleville, M10.5,
5	4700162	12	WASHER,
6	14453581	6	GASKET, 18.77MM ID x 1.78 Thk,
7	12164721	12	NUT, M10 x 1.25, CI 10,
8	99434327	6	INJECTOR, FUEL SYSTEM, (2,3,6), FOR FX28 ONLY
8	500301632	6	INJECTOR, FUEL SYSTEM, (2,3,6), FOR FX38-48 ONLY
9	9982964	1	BOLT, BANJO,
10	9929742	1	GASKET,
11	9967626	1	SPRING,
12	9967627	1	ROD,
13	42490269	1	SPACER,

WWW.KORMO.BY



## FX48 SELF-PROPELLED FORAGE HARVESTER (9/98- )

## 0.14.0(06) INJECTION PUMP, COMPONENTS - C217

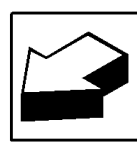
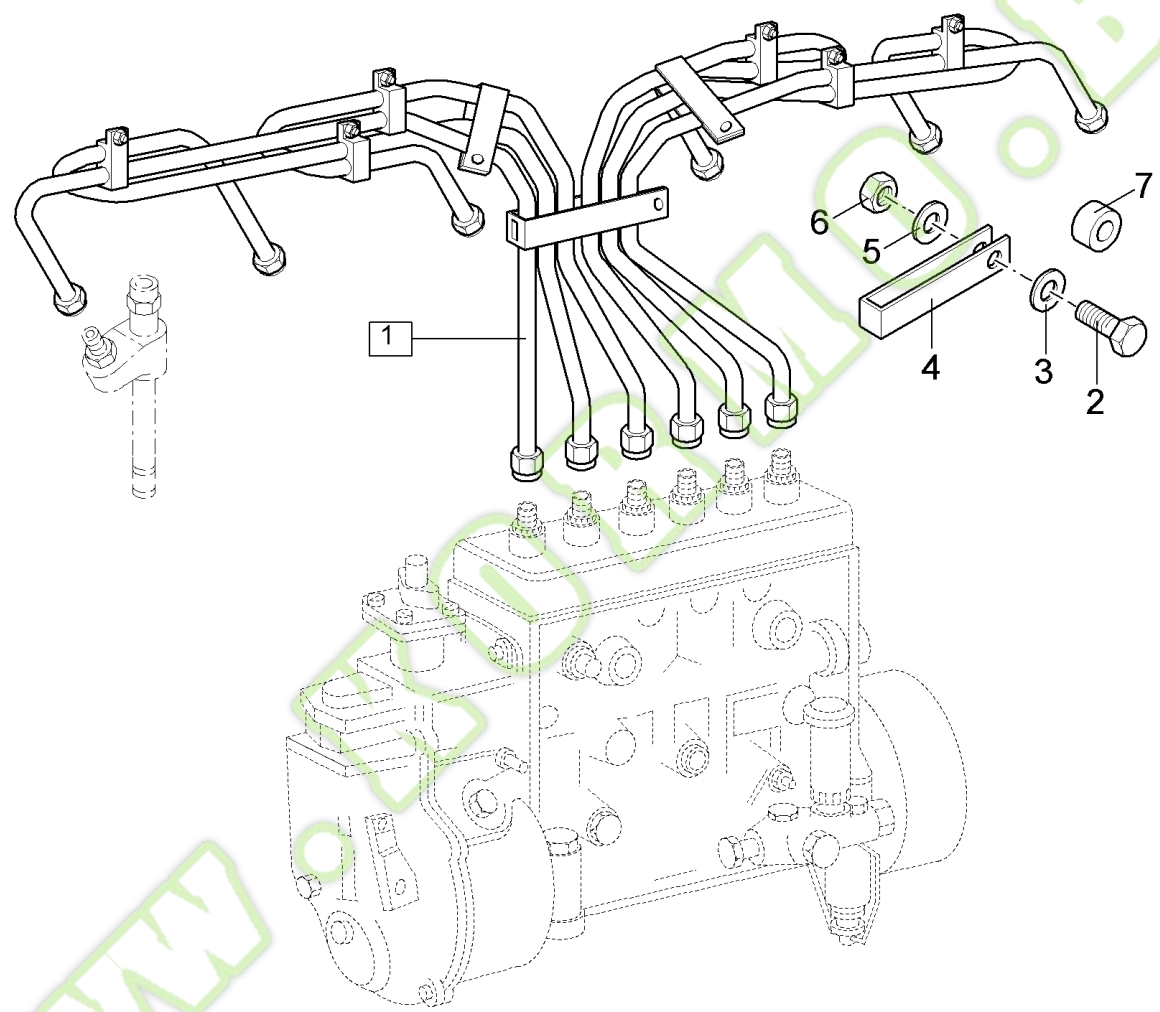
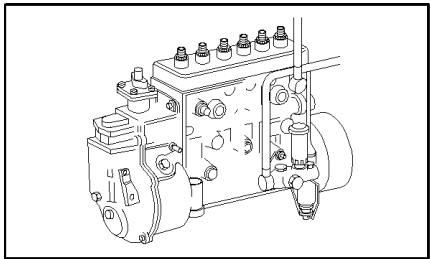
Ref	Part Number	Qty	Description
1	79067826	1	SHIM, THK.:1.40MM
1	9970439	1	SHIM, THK.:1.42MM
1	79067828	1	SHIM, THK.:1.44MM
1	79067829	1	SHIM, THK.:1.46MM
1	79067830	1	SHIM, THK.:1.48MM
1	79067831	1	SHIM, THK.:1.50MM
1	79067832	1	SHIM, THK.:1.52MM
1	9969345	1	SHIM, THK.:1.54MM
1	79067834	1	SHIM, THK.:1.56MM
1	79067835	1	SHIM, THK.:1.58MM
1	79067836	1	SHIM, THK.:1.60MM
1	79067837	1	SHIM, THK.:1.62MM
1	79067838	1	SHIM, THK.:1.64MM
1	79067839	1	SHIM, THK.:1.66MM
1	79067840	1	SHIM, THK.:1.68MM
1	79067841	1	SHIM, THK.:1.70MM
1	79067842	1	SHIM, THK.:1.72MM
1	79067843	1	SHIM, THK.:1.74MM
1	79067844	1	SHIM, THK.:1.76MM
1	79067845	1	SHIM, THK.:1.78MM
1	79067806	1	SHIM, THK.:1MM
1	79067807	1	SHIM, THK.:1.02MM
1	79067808	1	SHIM, THK.:1.04MM
1	79067809	1	SHIM, THK.:1.06MM
1	79067810	1	SHIM, THK.:1.08MM
1	79067811	1	SHIM, THK.:1.10MM
1	79067812	1	SHIM, THK.:1.12MM
1	79067813	1	SHIM, THK.:1.14MM
1	79067814	1	SHIM, THK.:1.16MM
1	79067815	1	SHIM, THK.:1.18MM
1	79067816	1	SHIM, THK.:1.20MM
1	79067817	1	SHIM, THK.:1.22MM
1	79067818	1	SHIM, THK.:1.24MM
1	79067819	1	SHIM, THK.:1.26MM
1	79067820	1	SHIM, THK.:1.28MM
1	79067821	1	SHIM, THK.:1.30MM
1	79067822	1	SHIM, THK.:1.32MM
1	79067823	1	SHIM, THK.:1.34MM
1	79067824	1	SHIM, THK.:1.36MM
1	79067825	1	SHIM, THK.:1.38MM
1	79067846	1	SHIM, THK.:1.80MM
1	79067847	1	SHIM, THK.:1.82MM
1	79067848	1	SHIM, THK.:1.84MM
1	79067849	1	SHIM, THK.:1.86MM
1	79067850	1	SHIM, THK.:1.88MM



Ref	Part Number	Qty	Description
1	79067851	1	SHIM, THK.:1.90MM
1	79067852	1	SHIM, THK.:1.92MM
1	79067853	1	SHIM, THK.:1.94MM
1	79067854	1	SHIM, THK.:1.96MM
1	79067855	1	SHIM, THK.:1.98MM

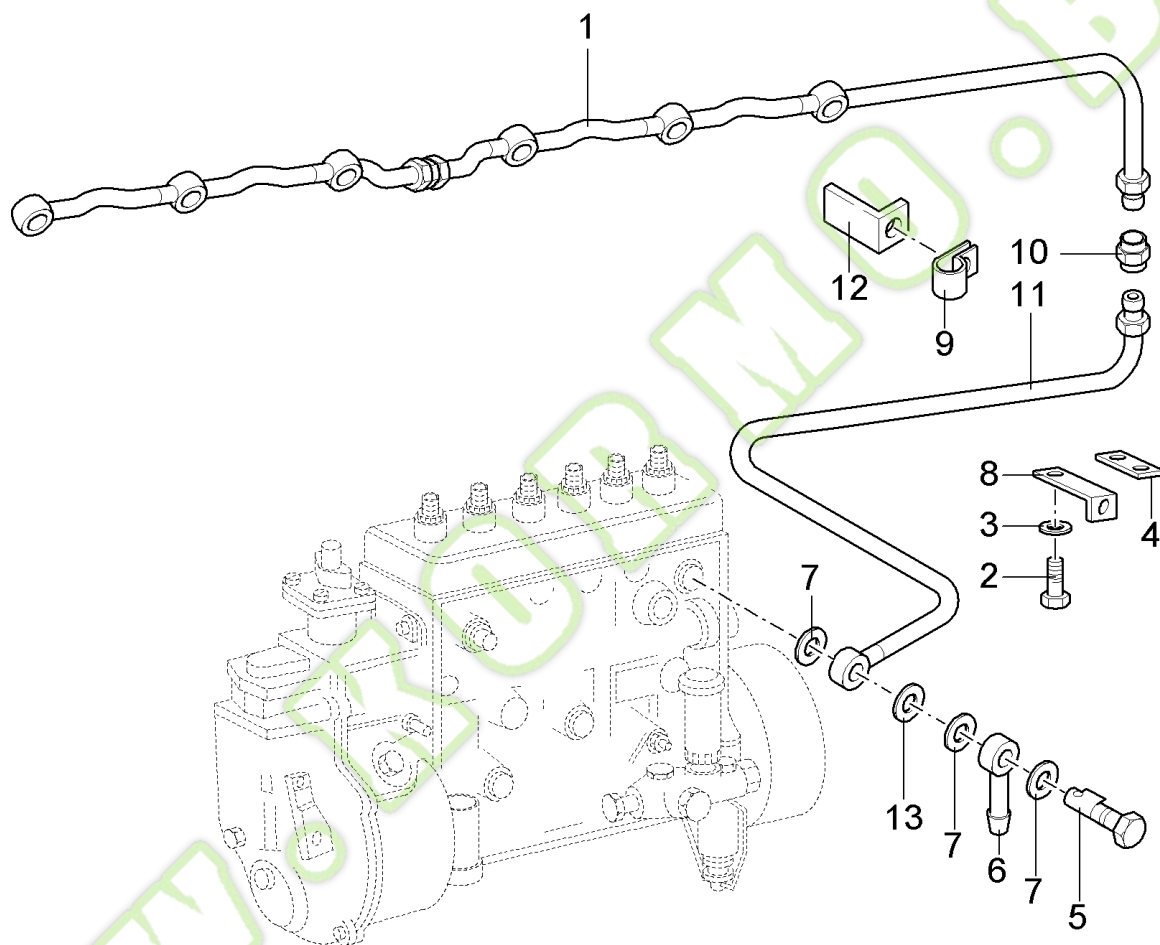
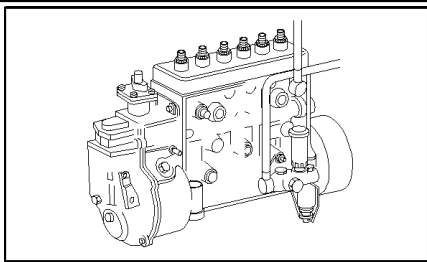
WWW.KORMO.BY





Ref	Part Number	Qty	Description
1	99432235	1	HOSE KIT,
2	10902424	3	SCREW, Hex, M6 x 20, 8.8, Full Thd, M6x20
3	11193874	3	WASHER, LOCK, Belleville, M8.4,
4	99462902	3	BRACKET,
5	17094714	3	WASHER, LOCK,
6	16100821	3	NUT, M8, CI 10, M6
7	17816111	1	SPACER,

WWW.KORMO.BY



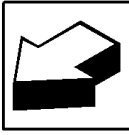
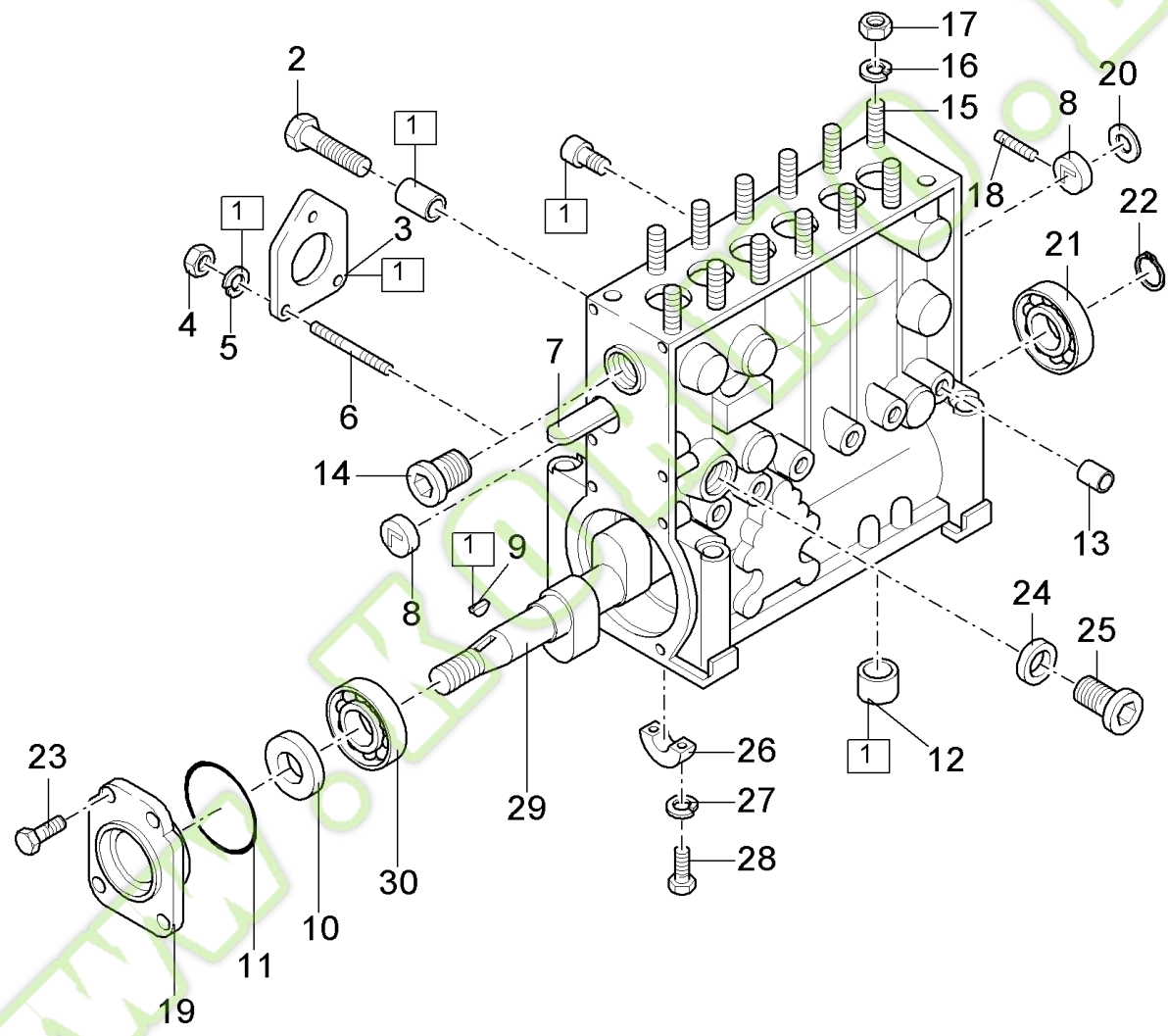
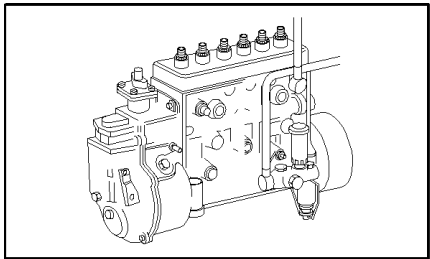
## FX48 SELF-PROPELLED FORAGE HARVESTER (9/98- )

## 0.14.0(09) FUEL PIPING - C217

Ref	Part Number	Qty	Description
1	98435435	1	TUBE, RIGID,
2	10902024	1	BOLT, Hex, M6 x 12, 8.8, Full Thd,
3	11197774	1	WASHER, LOCK, Belleville, M6.4,
4	4656139	1	CLIP, HOSE,
5	61320123	1	BOLT, BANJO,
6	99462917	1	TUBE, RIGID,
7	98474308	7	WASHER, SEALING,
8	99462916	1	BRACKET,
9	10449890	1	COLLAR, RETAINER,
10	16501511	1	CONNECTOR, HYD.,
11	99462915	1	TUBE, RIGID,
12	4929652	1	COLLAR, RETAINER,
13	4858608	1	GASKET,

WWW.KORMO.BY

0.14.0/A(01) INJECTION PUMP - C217

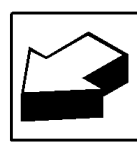
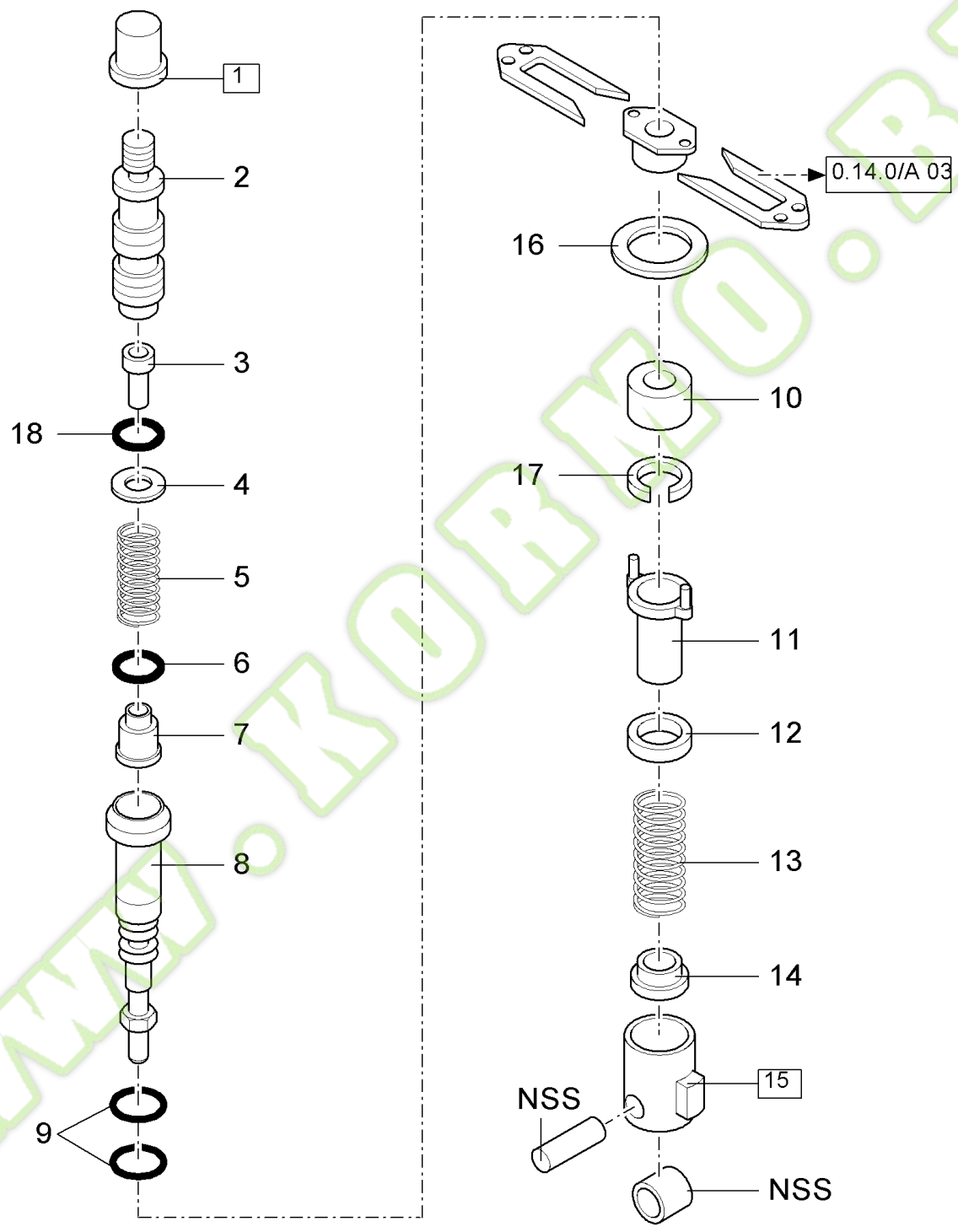
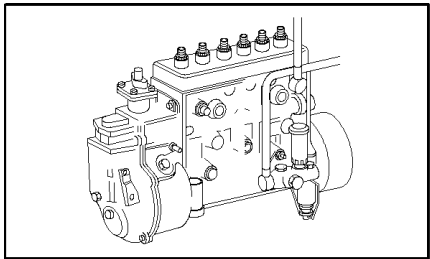


## FX48 SELF-PROPELLED FORAGE HARVESTER (9/98- )

## 0.14.0/A(01) INJECTION PUMP - C217

Ref	Part Number	Qty	Description
1	9967563	1	KIT, SEALS, (3,5,9,11,12)
2	76026109	1	VALVE, HYDRAULIC, , WITH METAL PLUNGER BALL INSIDE
3	76026116	1	GASKET,
4	15896221	3	NUT, M6, CI 10,
5	10571574	3	WASHER, LOCK,
6	11500211	3	STUD,
7	772213	1	ROD, ADJUSTMENT,
8	772354	2	BUSHING,
9	9929164	1	KEY,
10	9966633	1	GASKET,
11	9967562	1	GASKET,
12	9967636	6	BUSHING,
13	9967854	6	BUSHING,
14	75204112	1	PLUG,
15	76031625	12	STUD,
16	9967555	12	WASHER, LOCK,
17	9967632	12	NUT,
18	772353	1	PIN, ROLL,
19	9967561	1	CAP, FLANGE COVER,
20	772244	1	SHIM,
21	9967410	1	BEARING ASSY,
22	9967556	1	RING, LOCKING,
23	9967557	4	SCREW,
24	9957969	1	SPACER,
25	9929727	1	PLUG,
26	9967411	1	BEARING, CRANKSHAFT,
27	9967560	2	WASHER, LOCK,
28	9967559	2	SCREW,
29	9967558	1	CAMSHAFT,
30	9967414	1	BEARING ASSY,

0.14.0/A(02) INJECTION PUMP - C217



## FX48 SELF-PROPELLED FORAGE HARVESTER (9/98- )

## 0.14.0/A(02) INJECTION PUMP - C217

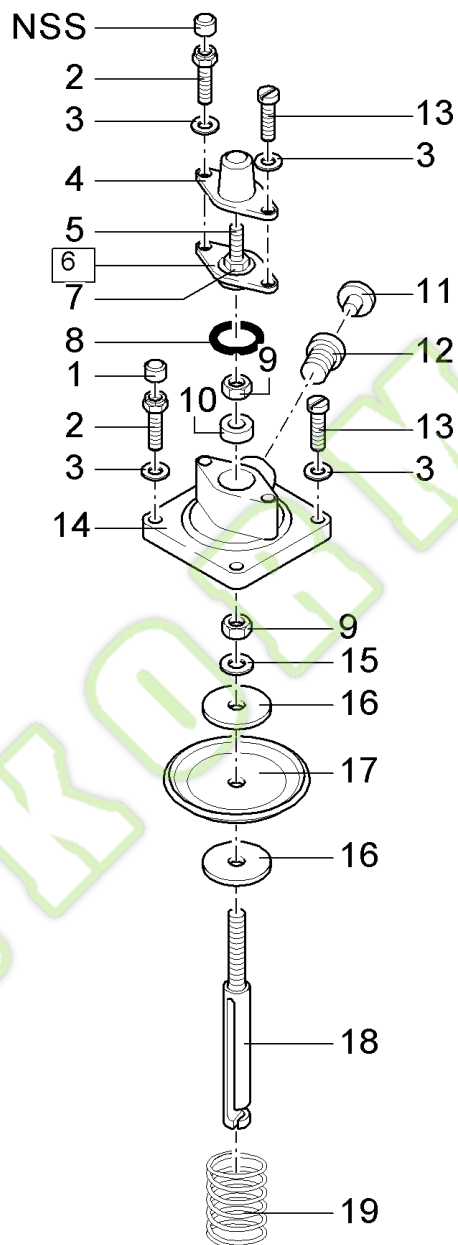
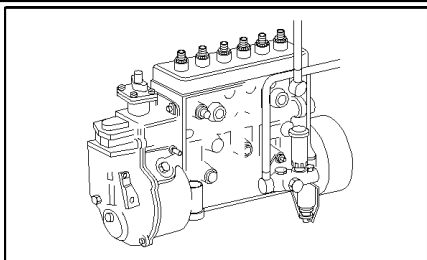
Ref	Part Number	Qty	Description
1	9967563	1	KIT, SEALS, (9,16 to 19)
2	9967547	6	CONNECTOR, HYD.,
3	9967548	6	PLUNGER,
4	79026508	AR	WASHER,
5	42493104	6	SPRING,
6	9967549	6	GASKET,
7	9967550	6	VALVE, HYDRAULIC,
8	9967851	6	PLUNGER,
9	79038451	12	O-RING,
10	9967852	6	BUSHING,
11	9967406	6	BUSHING,
12	79038390	6	CAP, WASHER,
13	9967407	6	SPRING,
14	9967552	6	PLUG,
15	9967408	6	TAPPET,
16	9967551	6	RING,
17	76026104	6	RING, LOCKING,
18	9967404	6	GASKET,

WWW.KORMO.BY



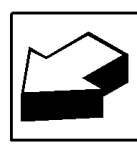
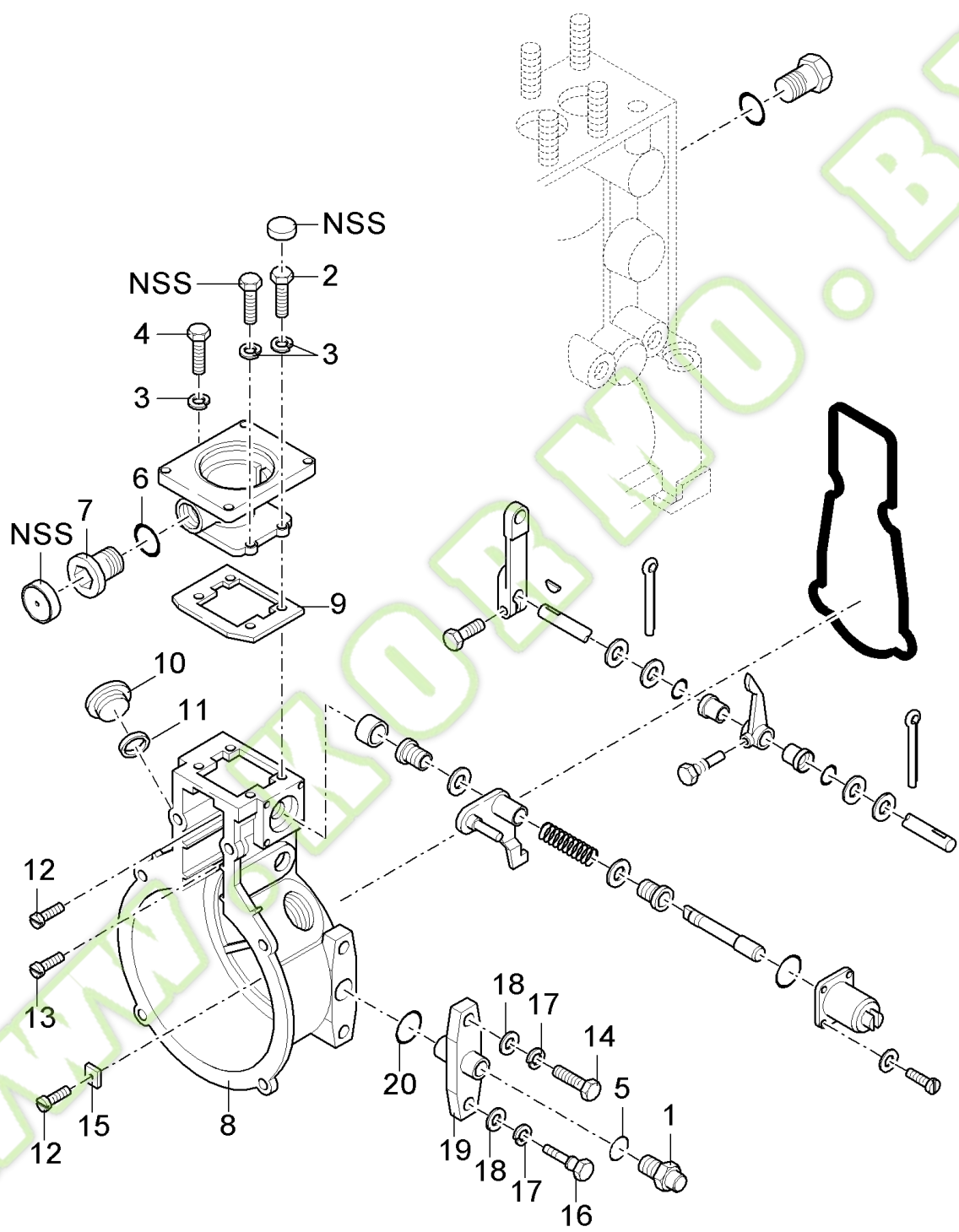
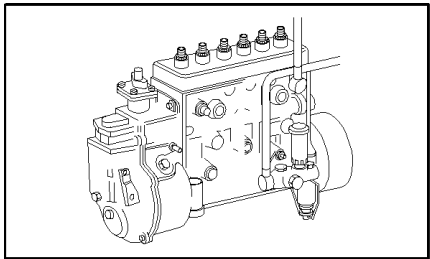


Ref	Part Number	Qty	Description
1	772227	AR	SHIM, THK.:0.40MM
1	772228	AR	SHIM, THK.:0.45MM
1	772229	AR	SHIM, THK.:0.50MM
1	772230	AR	SHIM, THK.:0.55MM
1	772231	AR	SHIM, THK.:0.60MM
1	772232	AR	SHIM, THK.:0.65MM
1	772233	AR	SHIM, THK.:0.70MM
1	772234	AR	SHIM, THK.:0.75MM
1	772235	AR	SHIM, THK.:0.80MM
1	772236	AR	SHIM, Hex Soc Hd, 1/2"-13 x 3 1/4", THK.:0.85MM
1	772237	AR	SHIM, THK.:0.90MM
1	772238	AR	SHIM, THK.:0.95MM
1	772239	AR	SHIM, THK.:1MM
1	772240	AR	SHIM, THK.:1.05MM
1	772241	AR	SHIM, THK.:1.10MM
1	772242	AR	SHIM, THK.:1.15MM
1	772243	AR	SHIM, THK.:1.20MM
1	772244	AR	SHIM, THK.:1.25MM
1	772245	AR	SHIM, THK.:1.30MM
1	772246	AR	SHIM, THK.:1.35MM
1	772247	AR	SHIM, THK.:1.40MM
1	772248	AR	SHIM, THK.:1.45MM
1	772249	AR	SHIM, THK.:1.50MM
1	772250	AR	HOUSING, THK.:1.55MM
1	772251	AR	SHIM, THK.:1.60MM



Ref	Part Number	Qty	Description
1	79097280	1	BUSHING,
2	9967631	2	SCREW,
3	10571574	2	WASHER, LOCK,
4	9966703	1	COVER,
5	79048248	1	STUD,
6	1307838	1	PLUG, (5,7)
7	42488393	1	NUT,
8	79038451	1	O-RING,
9	9966700	2	NUT,
10	9967859	1	RING,
11	79033453	1	PLUG,
12	9966702	1	BUSHING, THREADED,
13	10376724	4	SCREW, Slotted, Pan Hd, M6 x 16,
14	9967598	1	COVER,
15	9963377	1	WASHER, LOCK,
16	71445103	1	WASHER,
17	71445104	1	DIAPHRAGM,
18	9967858	1	ROD,
19	9967857	1	SPRING,

0.14.0/A(05) INJECTION PUMP - C217

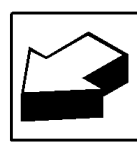
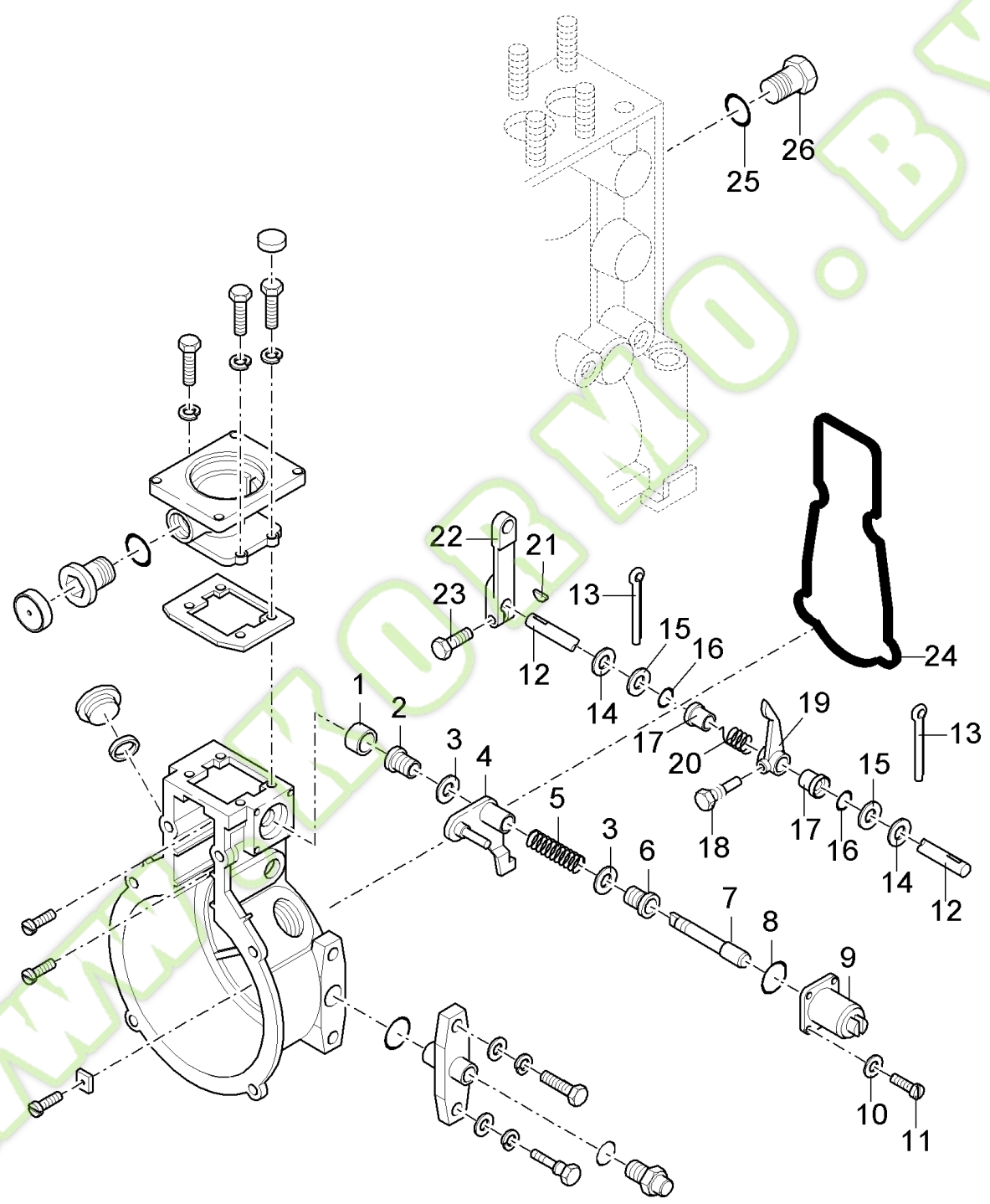
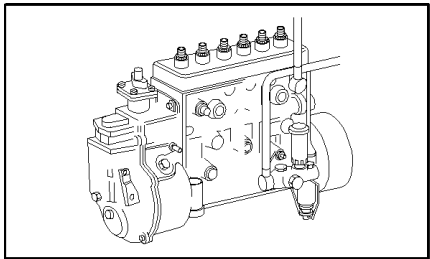


## FX48 SELF-PROPELLED FORAGE HARVESTER (9/98- )

## 0.14.0/A(05) INJECTION PUMP - C217

Ref	Part Number	Qty	Description
1	9966686	1	PLUG,
2	9967878	4	SCREW,
3	10571574	4	WASHER, LOCK,
4	10902424	3	SCREW, Hex, M6 x 20, 8.8, Full Thd,
5	772241	1	SHIM,
6	76030848	1	GASKET,
7	9966704	1	PLUG,
8	9967867	1	COVER,
9	79048250	1	GOVERNOR, SPEED,
10	9967280	2	PLUG,
11	9966716	2	GASKET,
12	76030839	2	SCREW,
13	9967582	2	SCREW,
14	9966728	1	SCREW,
15	9967583	4	WASHER, LOCK,
16	9966720	1	SCREW,
17	10516674	2	WASHER, LOCK,
18	9967595	2	WASHER,
19	75207996	1	FLANGE,
20	9966721	1	GASKET,

0.14.0/A(06) INJECTION PUMP - C217



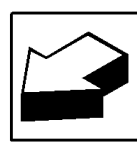
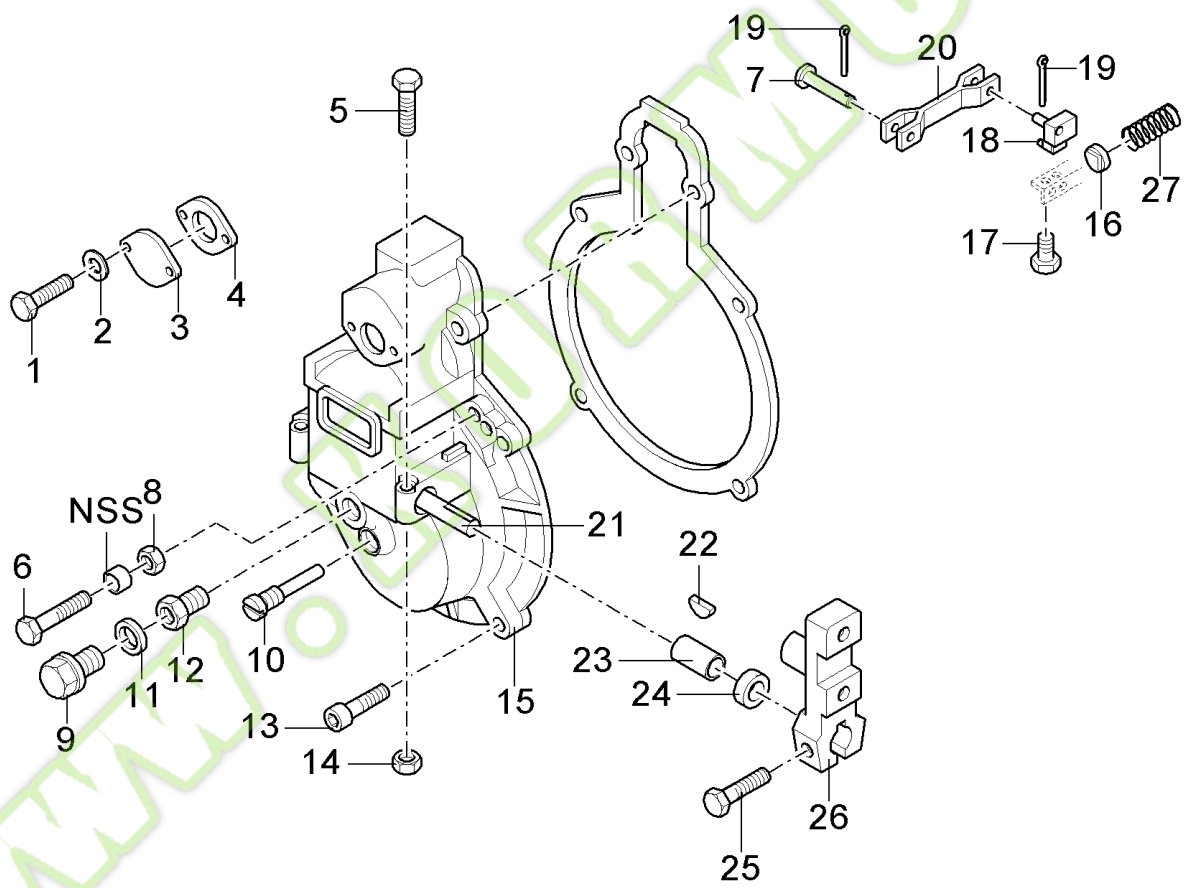
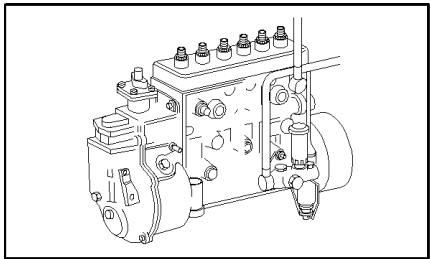
## FX48 SELF-PROPELLED FORAGE HARVESTER (9/98- )

## 0.14.0/A(06) INJECTION PUMP - C217

Ref	Part Number	Qty	Description
1	79033439	1	PLUG,
2	79033440	1	NUT, RING,
3	79062709	2	WASHER,
4	79033444	1	PIN,
5	79033441	1	SPRING,
6	79033445	1	BUSHING,
7	79033442	1	PIN,
8	79062710	1	RING,
9	773719	1	ELECTROMAGNET,
10	79097341	4	WASHER,
11	10389421	4	SCREW,
12	79039761	1	SHAFT,
13	79111849	2	PIN, SPLIT (COTTER),
14	1288461	AR	SHIM,
15	14499401	2	WASHER, M8 x 14 x 1.6,
16	79039757	2	GASKET,
17	42485249	2	BUSHING,
18	79039754	1	SCREW,
19	9967868	1	LEVER,
20	79033425	1	SPRING,
21	1136607	1	KEY,
22	9967581	1	LEVER,
23	9009620	1	SCREW,
24	9969400	1	GASKET,
25	9957969	1	SPACER,
26	772716	1	PLUG, 17MM



0.14.0/A(07) INJECTION PUMP - C217

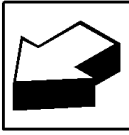
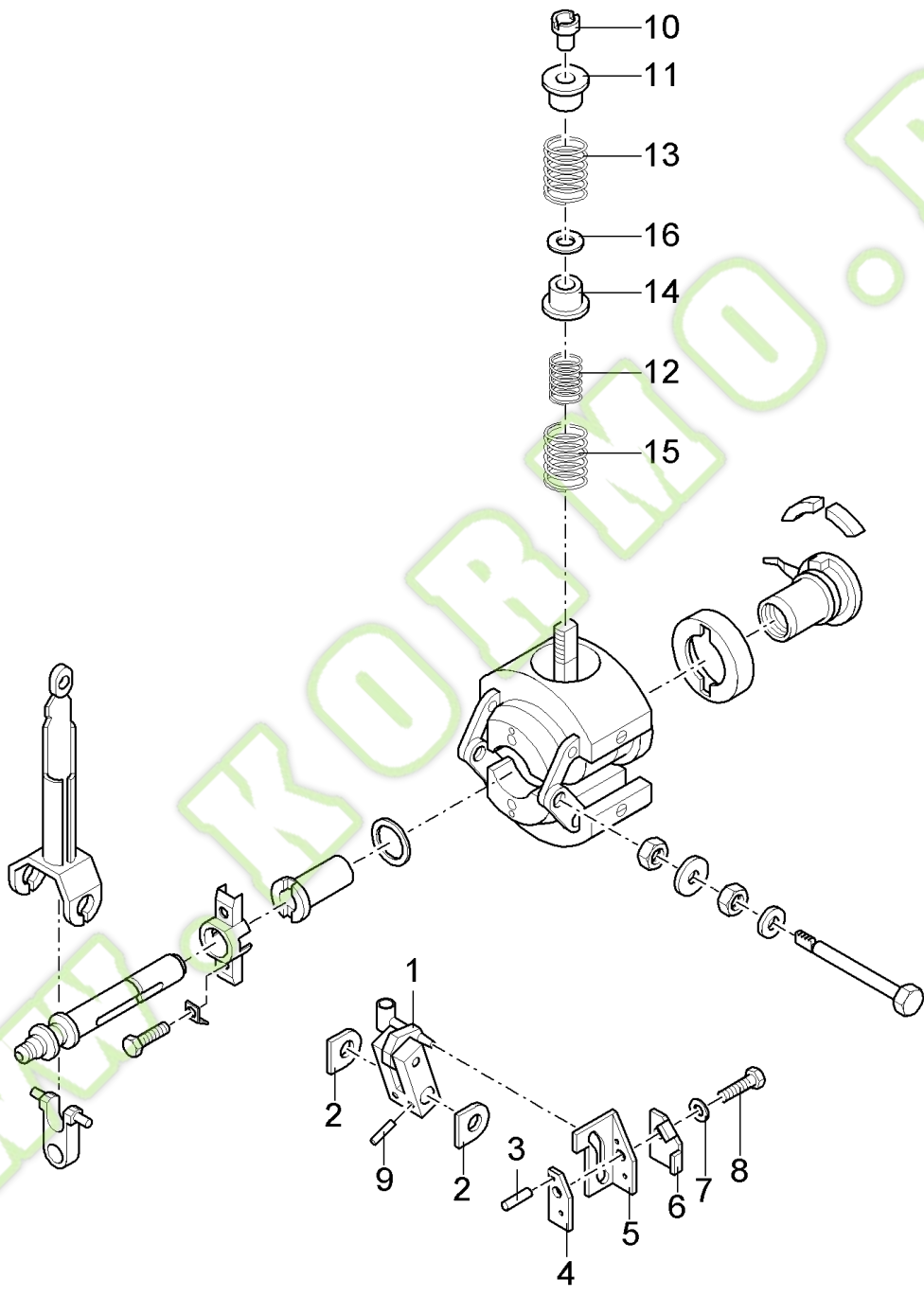
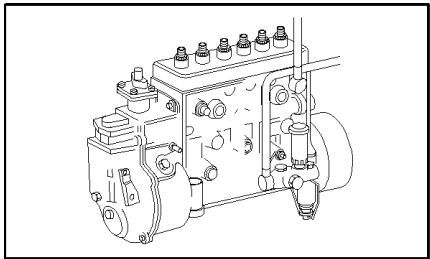


## FX48 SELF-PROPELLED FORAGE HARVESTER (9/98- )

## 0.14.0/A(07) INJECTION PUMP - C217

Ref	Part Number	Qty	Description
1	10376511	2	SCREW,
2	10571574	2	WASHER, LOCK,
3	773669	1	CHANNEL, {PP:80773669}
4	79026127	1	STRAP,
5	772829	1	SCREW,
6	79094076	1	SCREW,
7	79111985	1	PIN,
8	9967874	1	NUT,
9	1288190	1	PLUG,
10	76034141	1	SCREW,
11	79038381	1	GASKET,
12	772075	1	BUSHING,
13	9967875	6	SCREW,
14	15896221	1	NUT, M6, CI 10,
15	9967876	1	COVER,
16	9966694	1	CAP, WASHER,
17	9967586	2	SCREW,
18	773695	1	PIN,
19	76026122	1	PIN, SPLIT (COTTER),
20	79048241	1	YOKE,
21	79039761	1	SHAFT,
22	10205710	1	KEY,
23	9967588	2	BUSHING,
24	9967418	2	GASKET,
25	79111846	2	SCREW,
26	9930880	1	LEVER,
27	774245	1	SPRING,

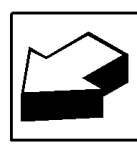
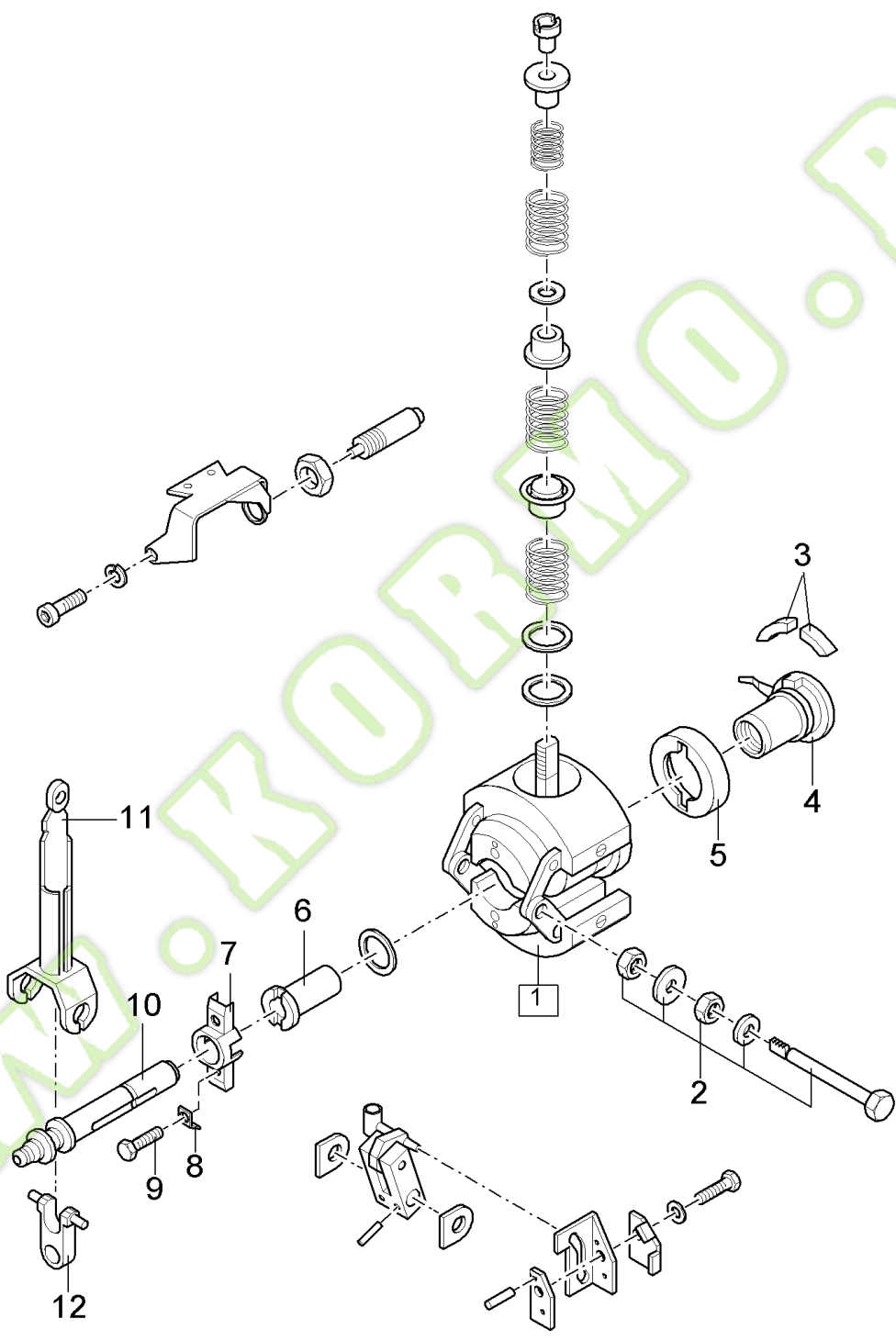
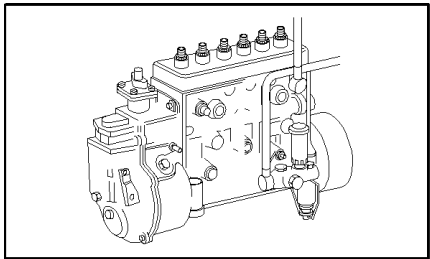
0.14.0/A(08) INJECTION PUMP - C217



## FX48 SELF-PROPELLED FORAGE HARVESTER (9/98- )

## 0.14.0/A(08) INJECTION PUMP - C217

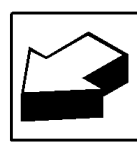
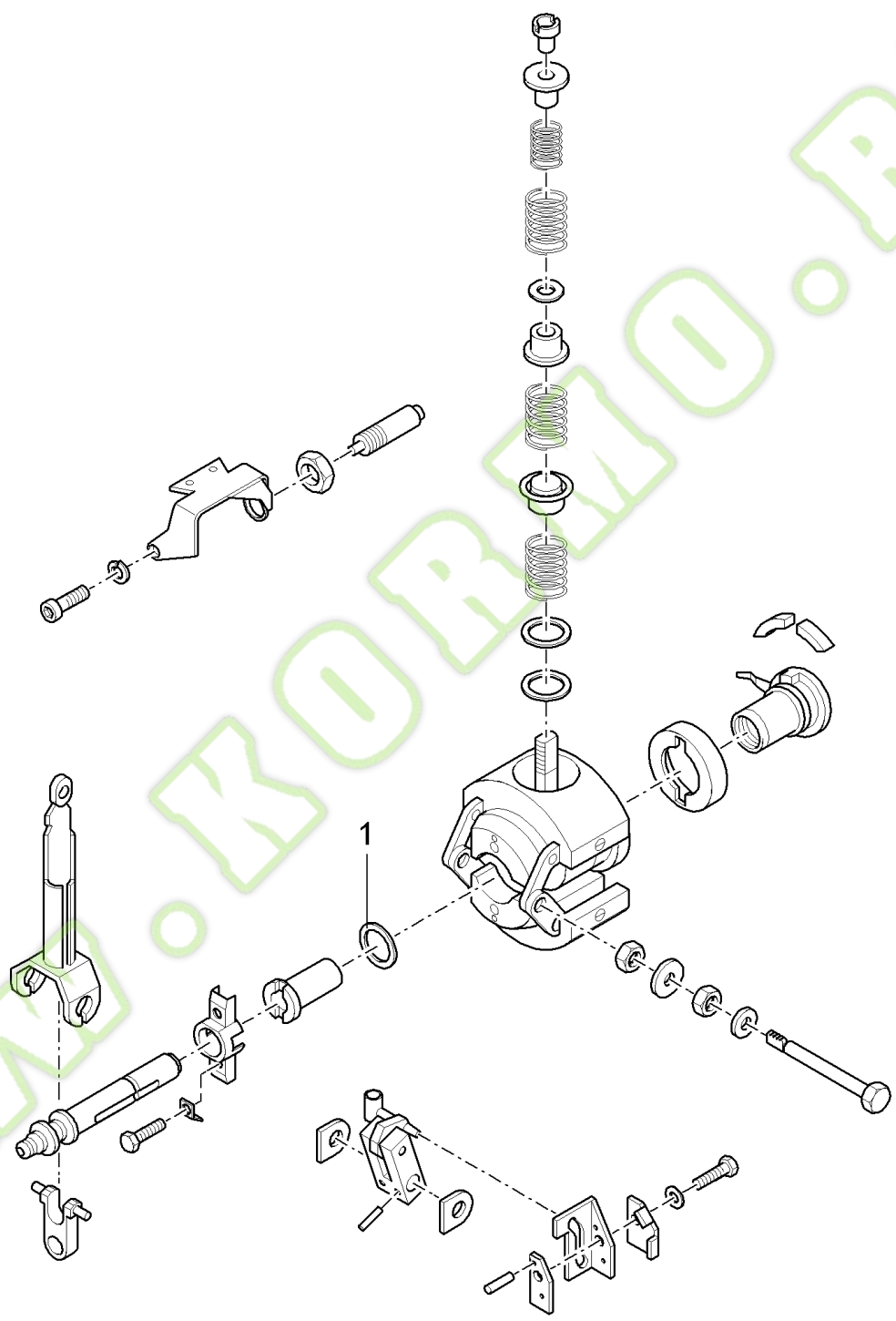
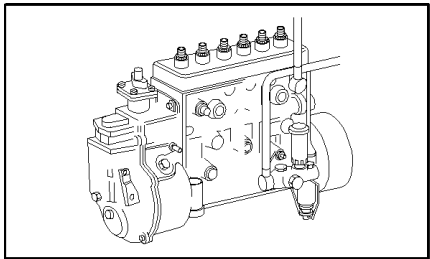
Ref	Part Number	Qty	Description
1	9967590	1	LEVER,
2	9967279	2	PLATE, COVER,
3	9017850	2	PIN, ROLL,
4	1288638	AR	PLATE, COVER, 0.2MM
4	1288639	AR	PLATE, COVER, 0.3MM
5	772830	1	LINK BLOCK,
6	773204	1	SUPPORT,
7	10516474	1	WASHER, LOCK,
8	10902524	1	SCREW, Hex, M6 x 22, 8.8, Full Thd,
9	79111848	1	PIN, ROLL,
10	79035483	2	NUT,
11	79035484	2	CAP, WASHER,
12	774420	2	SPRING,
13	764051	2	SPRING,
14	774421	2	CAP, WASHER,
15	76034136	2	SPRING,
16	79023644	AR	WASHER, LOCK,



Ref	Part Number	Qty	Description
1	9967601	1	GOVERNOR, SPEED, (2 to 12)
2	9007831	1	KIT,
3	9966729	4	BUMPER,
4	9967602	1	COUPLING,
5	76026138	1	CUP, COVER,
6	76026137	1	COUPLING,
7	79106753	1	BUSHING,
8	79023646	2	WASHER,
9	71445120	2	SCREW,
10	772852	1	PIN,
11	772847	1	LEVER,
12	1288706	1	ARTICULATION,

WWW.KORMO.BY

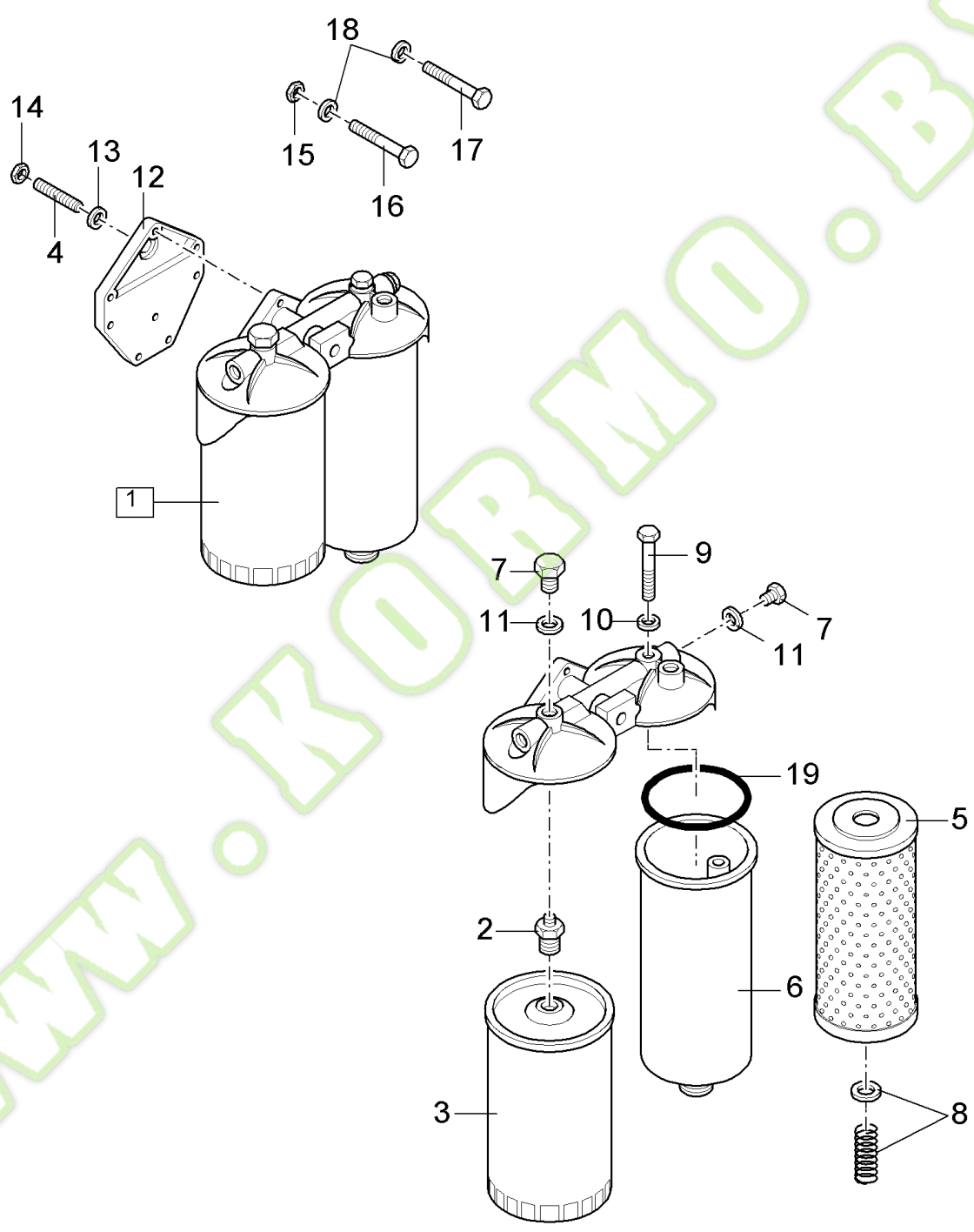
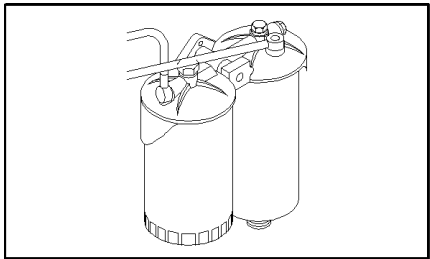
0.14.0/A(10) INJECTION PUMP - C217



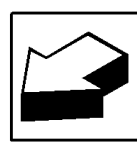
Ref	Part Number	Qty	Description
1	772532	1	WASHER, 1.60MM
1	79062771	1	WASHER, 1.63MM
1	79062772	1	WASHER, 1.66MM
1	79062773	1	WASHER, 1.69MM
1	79062774	1	WASHER, 1.72MM
1	79062775	1	WASHER, 1.75MM
1	79062776	1	WASHER, 1.78MM
1	79062777	1	WASHER, 1.81MM
1	79062778	1	WASHER, 1.84MM
1	79062779	1	WASHER, 1.87MM
1	79062780	1	WASHER, 1.90MM
1	79062781	1	WASHER, 1.93MM
1	79062782	1	WASHER, 1.96MM
1	79062783	1	WASHER, 1.99MM
1	79062784	1	WASHER, 2.02MM
1	79062785	1	WASHER, 2.05MM
1	79062786	1	WASHER, 2.08MM
1	79023699	1	WASHER, 2.11MM
1	79062788	1	WASHER, 2.14MM



0.20.0(01) FUEL FILTER - C217



WWW.KORMO.BY

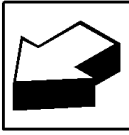
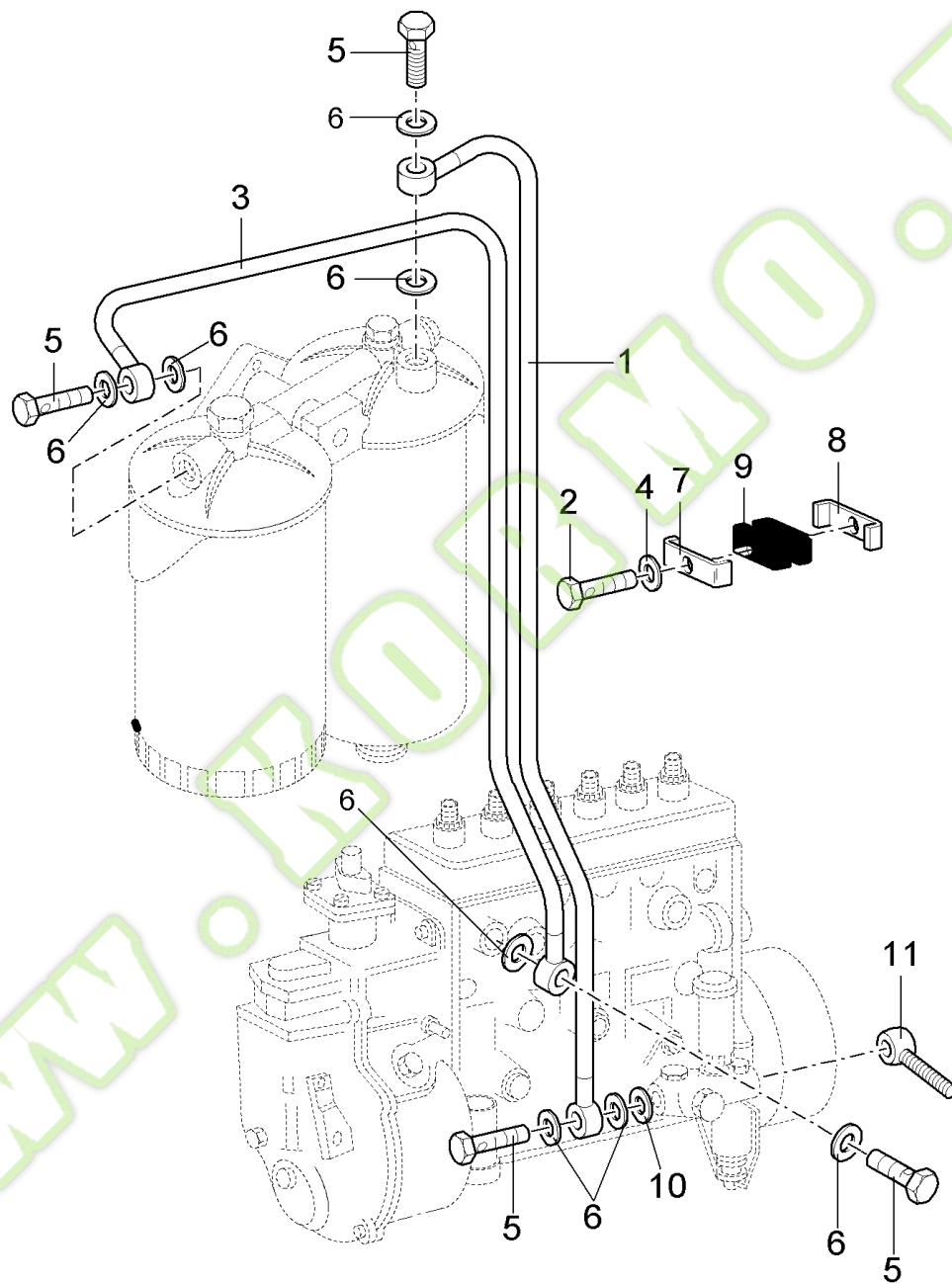
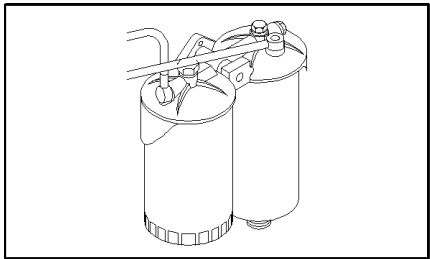


## FX48 SELF-PROPELLED FORAGE HARVESTER (9/98- )

## 0.20.0(01) FUEL FILTER - C217

Ref	Part Number	Qty	Description
1	4690738	1	FILTER, FUEL, (2,3,6 to 8,10,11)
2	4626466	1	CONNECTOR, HYD.,
3	1909103	1	FILTER, ELEMENT,
4	13516821	4	STUD,
5	1909107	1	FILTER, ELEMENT,
6	4964487	1	CONTAINER,
7	79000019	2	PLUG,
8	4965120	1	SPRING,
9	4964320	1	SCREW,
10	10298350	1	GASKET, M10.2 x 16 x 1, Alum,
11	4858608	2	GASKET,
12	99462899	1	SUPPORT,
13	11193874	4	WASHER, LOCK, Belleville, M8.4, 8MM
14	16100821	4	NUT, M8, CI 10, M8
15	15500121	3	NUT, M10
16	16609224	1	SCREW, M10x140
17	11106424	2	SCREW, Hex, M10 x 30, 8.8, Full Thd, M10x30
18	11190574	3	WASHER, LOCK, Belleville, M10.5,
19	4727257	1	O-RING,

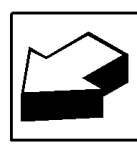
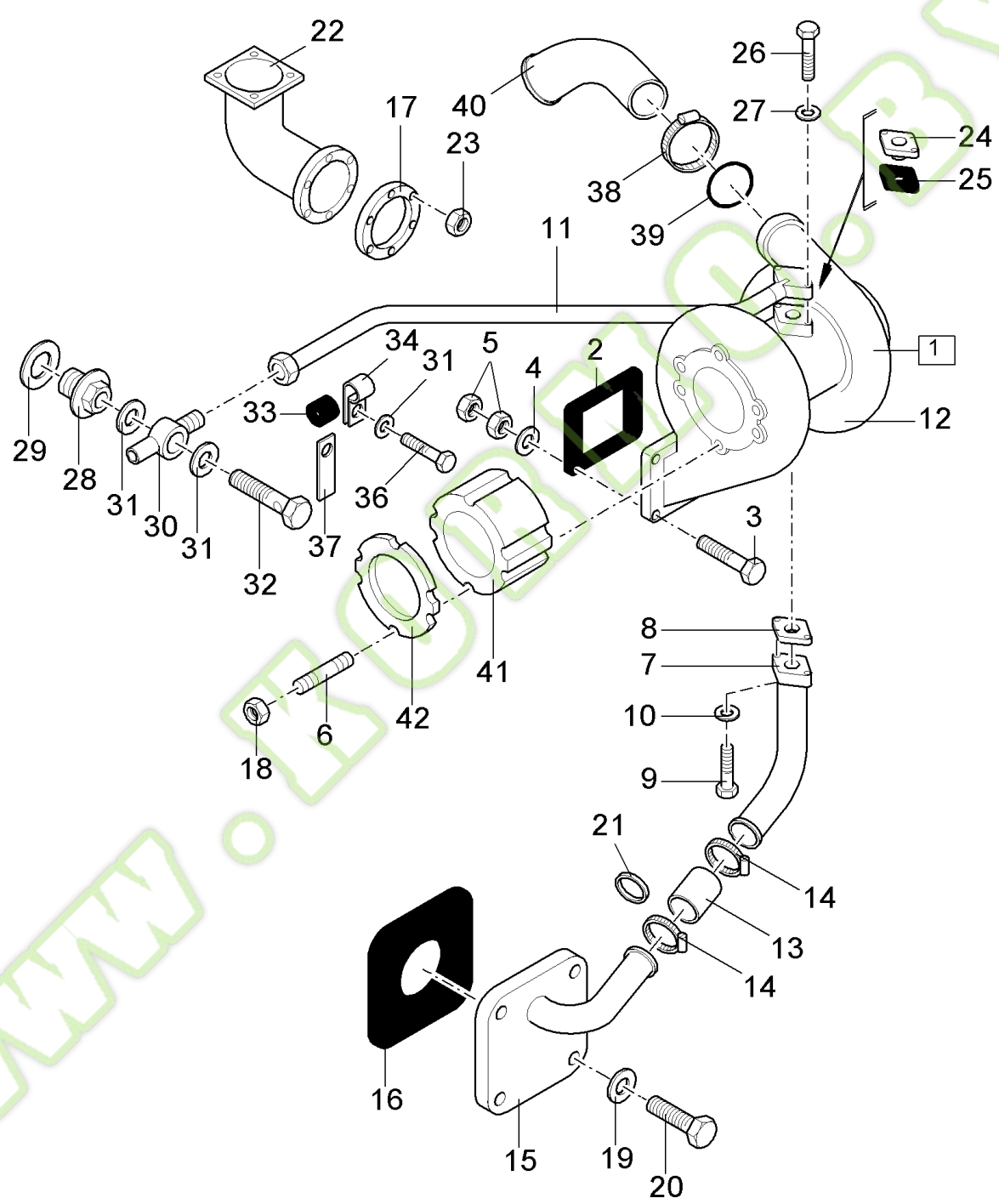
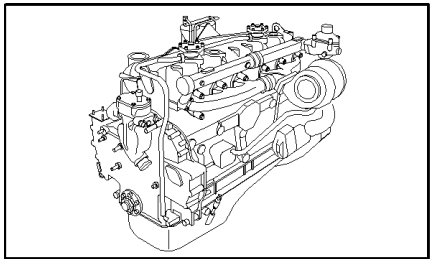
0.20.3(01) FUEL PIPING - C217



Ref	Part Number	Qty	Description
1	99462912	1	TUBE, RIGID,
3	99462913	1	TUBE, RIGID,
4	11197774	1	WASHER, LOCK, Belleville, M6.4,
5	4864083	5	BOLT, BANJO,
6	98474308	10	WASHER, SEALING,
7	4644288	1	COLLAR, RETAINER,
8	4644289	1	COLLAR, RETAINER,
9	4871771	1	CLIP, HOSE,
10	4858608	2	GASKET,
11	98417703	1	CONNECTION, SWIVEL,
2	10902624	1	SCREW, Hex, M6 x 25, 8.8, Full Thd, M6x25

WWW.KORMO.BY

0.24.0(01) TURBOCHARGER - C217



## FX48 SELF-PROPELLED FORAGE HARVESTER (9/98- )

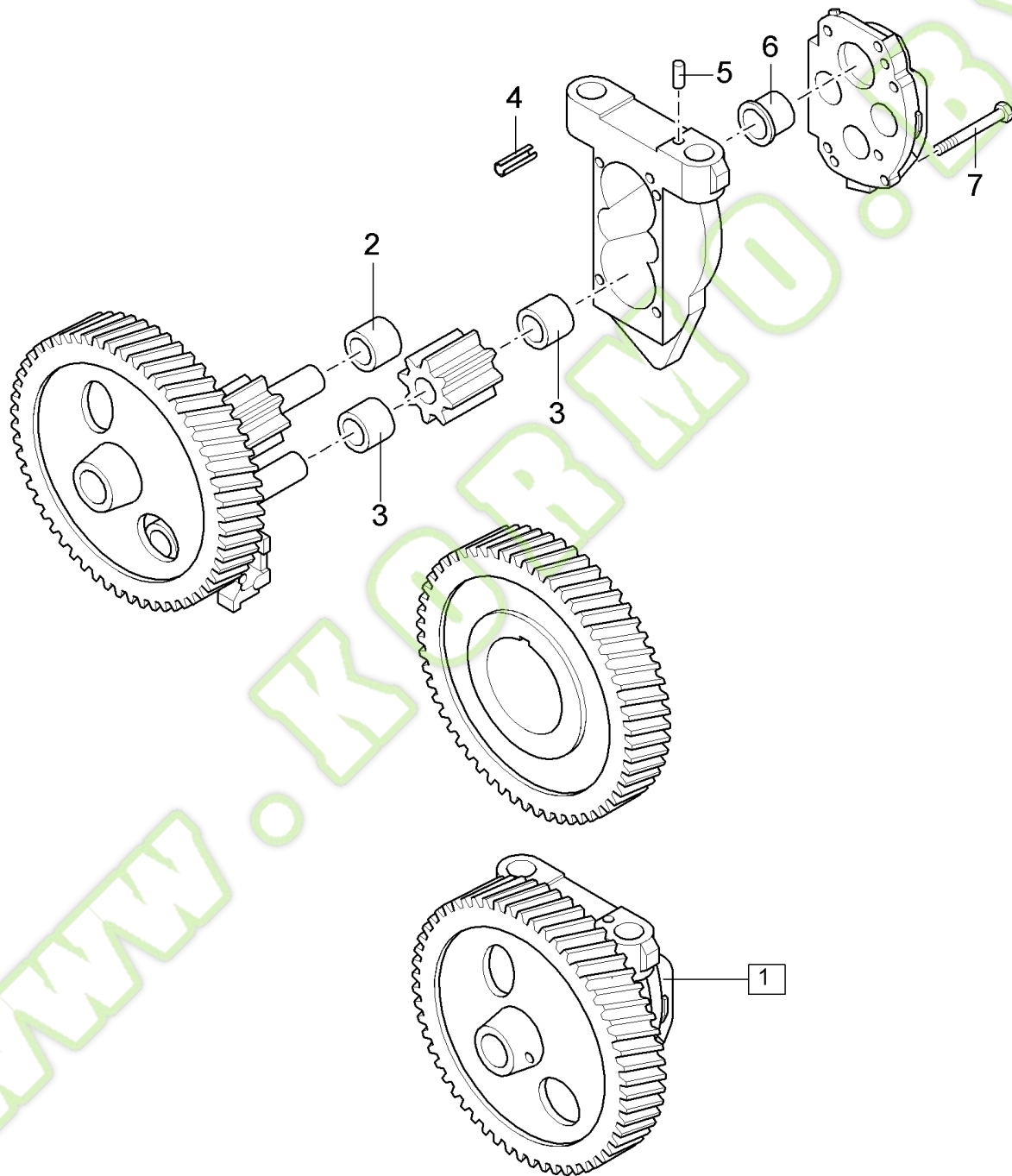
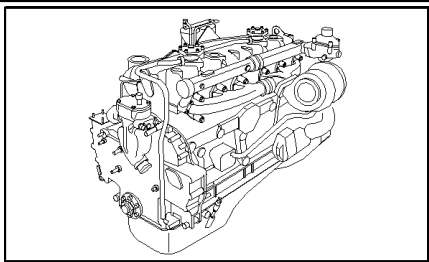
## 0.24.0(01) TURBOCHARGER - C217

Ref	Part Number	Qty	Description
1	99481116	1	TURBOCHARGER, (12), FOR FX28 ONLY
1	99462919	1	TURBOCHARGER, (12), FOR FX38-48 ONLY
2	4512366	1	GASKET,
3	98480687	4	SCREW,
4	14499521	4	WASHER,
5	12164721	8	NUT, M10 x 1.25, CI 10,
6	500314985	6	STUD, , FOR FX28 ONLY
6	4731721	6	STUD, , FOR FX38-48 ONLY
7	99462922	1	TUBE, RIGID, , FOR FX28 ONLY
7	99462923	1	TUBE, RIGID, , FOR FX38-48 ONLY
8	98412509	2	GASKET, , FOR FX28 ONLY
8	4863965	2	GASKET, , FOR FX38-48 ONLY
9	16043424	2	SCREW, Hex, M8 x 20, 8.8, Full Thd, , FOR FX28 ONLY
9	4873305	2	SCREW, , FOR FX38-48 ONLY
10	11193874	2	WASHER, LOCK, Belleville, M8.4, , FOR FX28 ONLY
10	17798374	2	WASHER, , FOR FX38-48 ONLY
11	500346382	1	TUBE, RIGID, , FOR FX28 ONLY
11	99462920	1	TUBE, RIGID, , FOR FX38-48 ONLY
12	93161271	1	KIT, , FOR FX28 ONLY
12	9967836	1	KIT, , FOR FX38-48 ONLY
13	4865231	1	HOSE,
14	13000690	2	CLIP, HOSE,
15	99462924	1	PLATE,
16	4863963	1	GASKET,
17	42075987	1	GASKET,
18	8100961	8	NUT,
19	11193874	5	WASHER, LOCK, Belleville, M8.4, 8MM
20	16043624	4	SCREW, Hex, M8 x 25, 8.8, Full Thd, Cap, HH, CL 8.8, M8 x 1.25 x 25
21	98463349	2	CLIP, HOSE,
22	500336568	1	ELBOW,
23	500336442	12	NUT,
24	4864038	1	GASKET,
25	4863967	1	GASKET,
26	16690924	2	SCREW, M8x40
27	11193874	2	WASHER, LOCK, Belleville, M8.4, , FOR FX28 ONLY
27	17798374	2	WASHER, , FOR FX38-48 ONLY
28	4682418	1	CONNECTOR, HYD.,
29	10296260	1	GASKET, M28.4 x 36 x 1.5, Copper,
30	98442202	1	CONNECTOR, HYD.,
31	98429280	2	GASKET,
32	98429224	1	BOLT, BANJO,
33	4626901	1	RING, RUBBER,
34	4621091	1	COLLAR,
35	11193874	1	WASHER, LOCK, Belleville, M8.4,
36	16043424	1	SCREW, Hex, M8 x 20, 8.8, Full Thd,

Ref	Part Number	Qty	Description
37	99462893	1	SUPPORT,
38	4800661	1	CLIP, HOSE,
39	14460181	1	GASKET, -143, CI 7, 2.425" ID x .103" Thk,
40	61318365	1	ELBOW,
41	8105248	1	SPACER,
42	8105249	1	RING,

WWW.KORMO.BY

0.30.0(01) OIL PUMP - C217



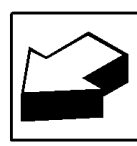
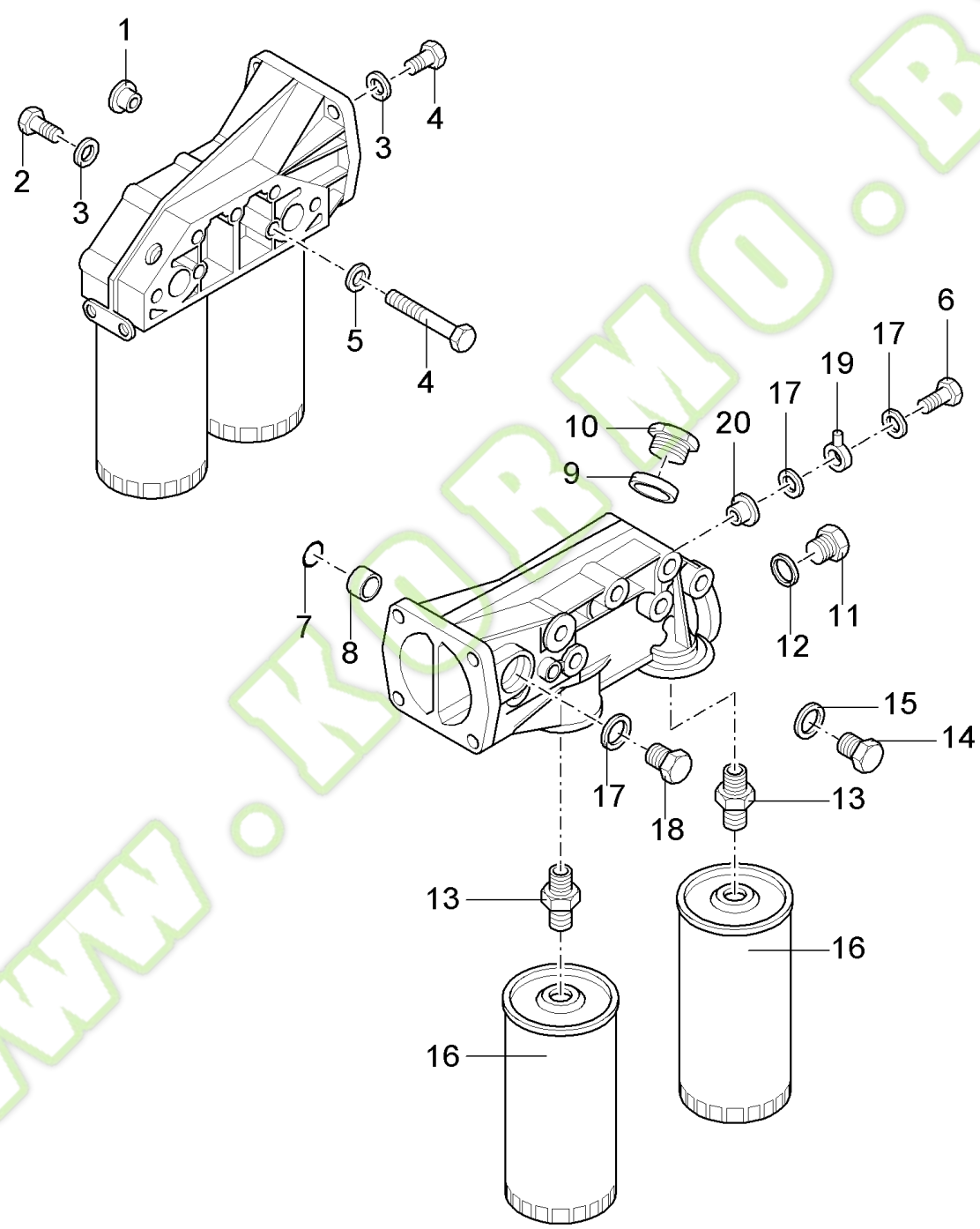
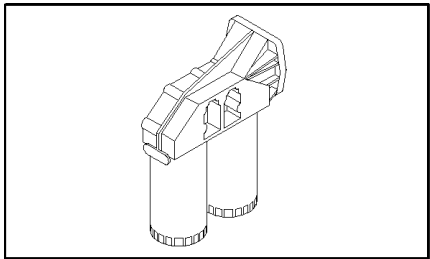


## 0.30.0(01) OIL PUMP - C217

Ref	Part Number	Qty	Description
1	99430535	1	PUMP, ENGINE OIL, (2 to 7)
2	4555588	1	BUSHING,
3	4555595	2	BUSHING,
4	10837610	1	DOWEL,
5	10839610	1	DOWEL,
6	4555591	1	BUSHING,
7	16322130	AR	SCREW, M8x80

WWW.KORMO.BY

0.30.2(01) OIL FILTER - C217

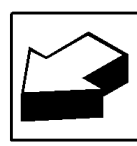
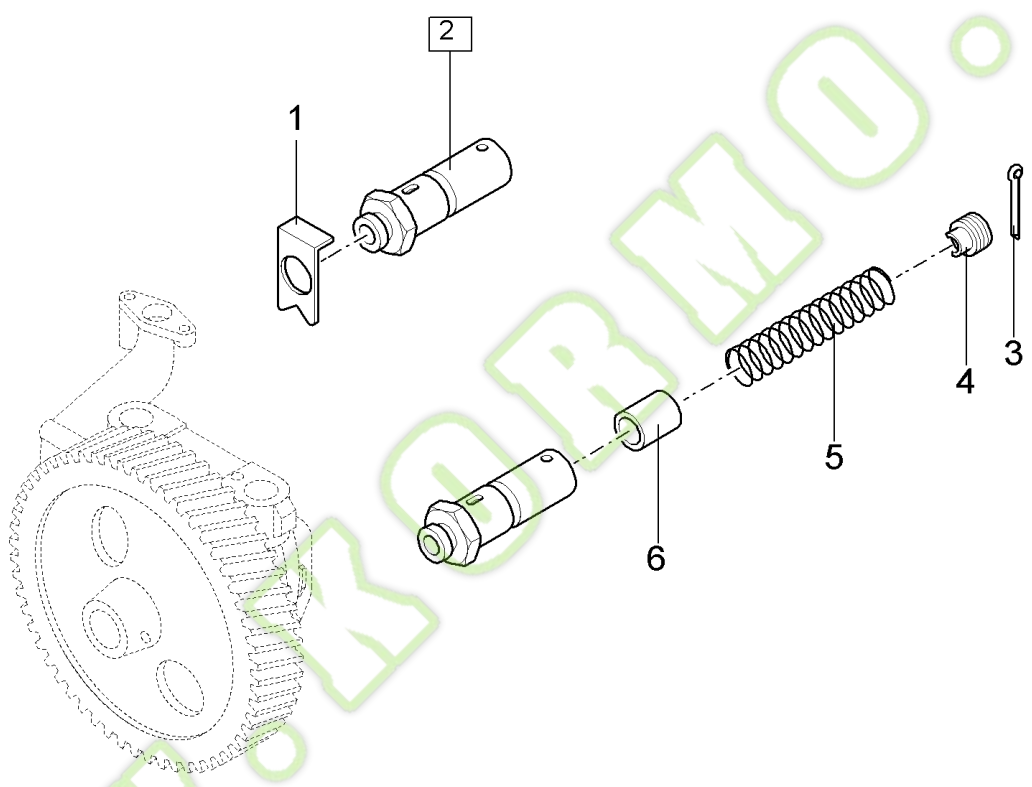
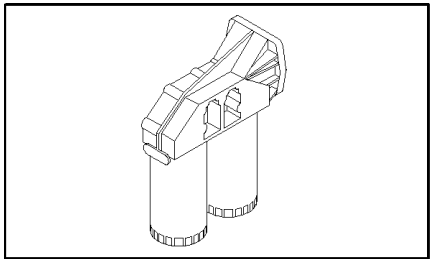


## FX48 SELF-PROPELLED FORAGE HARVESTER (9/98- )

## 0.30.2(01) OIL FILTER - C217

Ref	Part Number	Qty	Description
	99462936	1	FILTER, ENGINE OIL, (1 to 20)
1	4838502	1	GASKET,
2	15972221	3	SCREW, Hex, M10 x 1.25 x 120, 8.8, M10x120
3	11198471	2	WASHER, LOCK, Belleville, M10.5,
4	15972621	8	SCREW, Hex, M10 x 1.25 x 140, 8.8, M10x120
5	17090474	7	WASHER,
6	61319225	1	CONNECTOR, HYD.,
7	14458081	2	O-RING, -122, CI 7, 1.112" ID x .103" Thk,
8	4538571	1	CASE,
9	10265060	1	GASKET, M32.4 x 38 x 1.5, Copper,
10	10276140	1	PLUG,
11	10275040	1	PLUG,
12	10263460	2	GASKET, M22.3 x 28 x 1.5, Copper,
13	4741301	2	CONNECTOR, HYD.,
14	10273140	1	PLUG,
15	4858610	1	GASKET,
16	1931048	2	FILTER, ELEMENT,
17	4858608	3	GASKET,
18	10300611	1	PLUG,
19	61319226	1	CONNECTOR, HYD.,
20	98438943	1	PLUG,

0.30.3(01) OIL RELIEF VALVE - C217

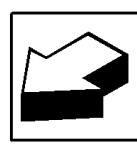
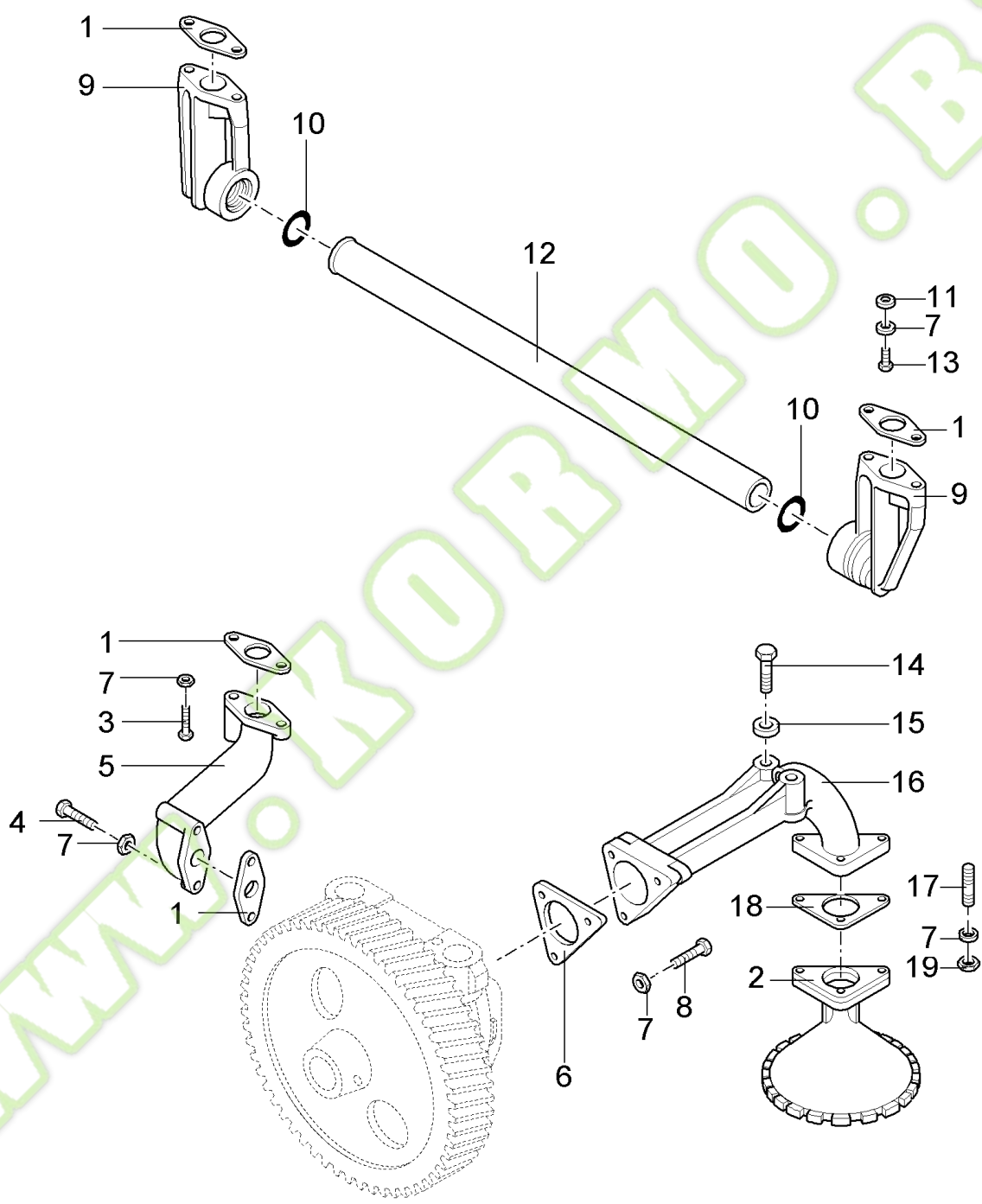
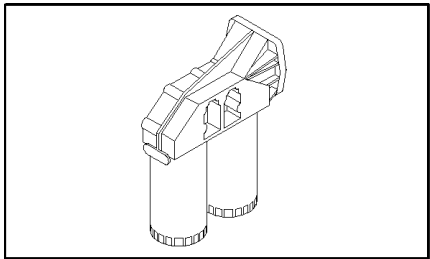


## FX48 SELF-PROPELLED FORAGE HARVESTER (9/98- )

## 0.30.3(01) OIL RELIEF VALVE - C217

Ref	Part Number	Qty	Description
1	4643591	1	PLATE, COVER,
2	4740422	1	VALVE, HYDRAULIC, (3 to 6)
3	10734801	1	PIN, SPLIT (COTTER), M3.2 x 36,
4	4740423	1	PLUG,
5	4677094	1	SPRING,
6	4672842	1	VALVE, HYDRAULIC,

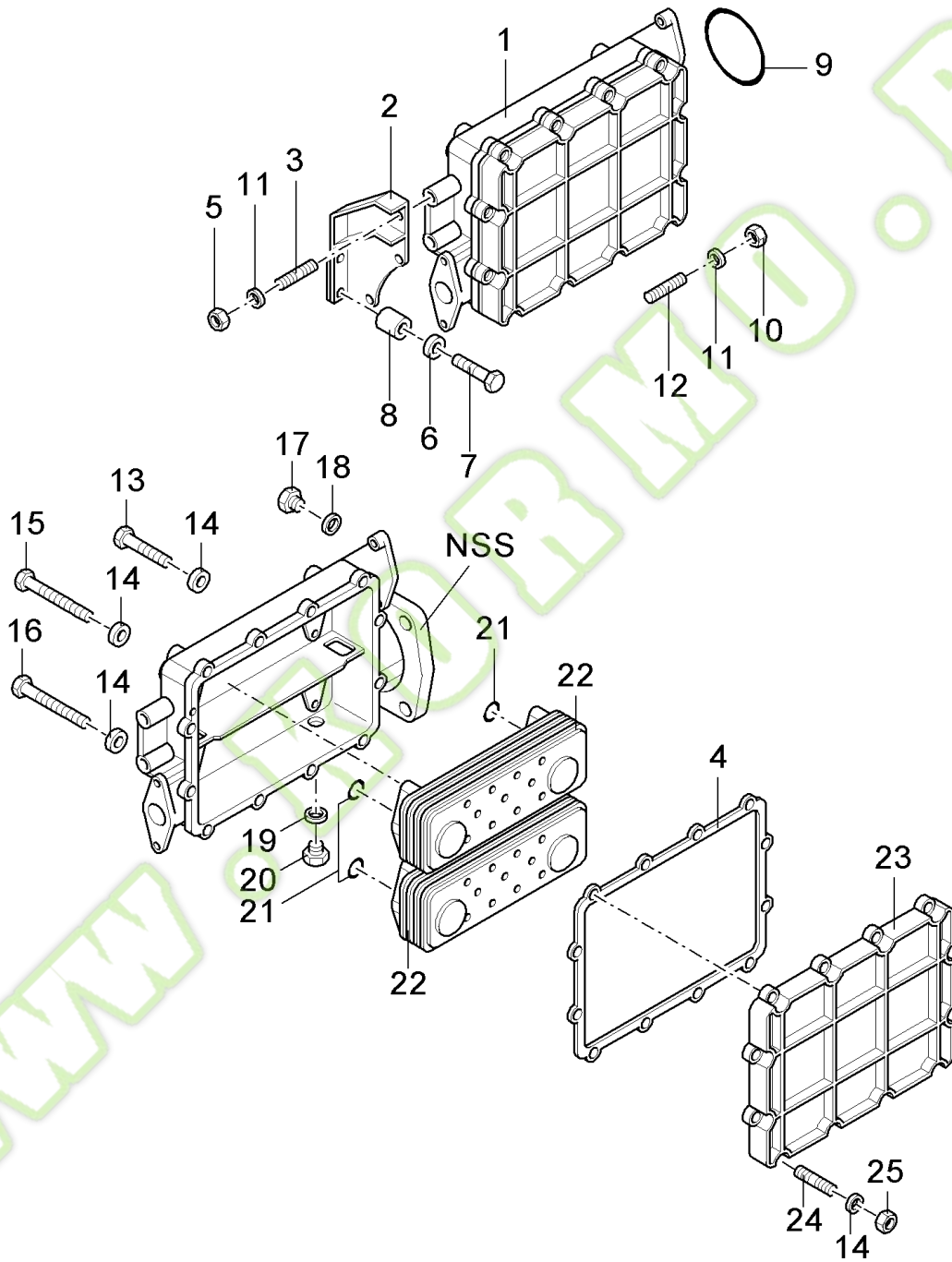
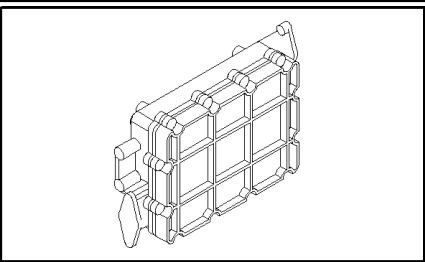
WWW.KORMO.BY



## FX48 SELF-PROPELLED FORAGE HARVESTER (9/98- )

## 0.30.5(01) LINES AND OIL LEVEL INDICATOR - C217

Ref	Part Number	Qty	Description
1	4864034	4	GASKET,
2	98427823	1	SCOOPS,
3	16044524	2	SCREW, Hex, M8 x 65, 8.8, M8x65
4	16043924	2	SCREW, Hex, M8 x 35, 8.8, Full Thd, M8x35
5	4643388	1	TUBE, RIGID,
6	4643729	1	GASKET,
7	11193874	14	WASHER, LOCK, Belleville, M8.4, 8MM
8	11343821	3	SCREW, Hex, M10 x 1.25 x 50, 8.8, M10x50
9	4674329	2	TUBE, RIGID,
10	14463281	4	GASKET, -214, CI 7, .984" ID x .139" Thk,
11	4680043	1	WASHER,
12	4680042	1	TUBE, RIGID,
13	16044031	4	SCREW, Hex, M8 x 40, 10.9, M8x40
15	11198471	5	WASHER, LOCK, Belleville, M10.5,
16	4643403	1	TUBE, RIGID,
17	13543521	3	STUD,
18	4864036	1	GASKET,
19	16100821	3	NUT, M8, CI 10, M8
14	15971624	2	SCREW, Hex, M10 x 1.25 x 90, 8.8, M10x90



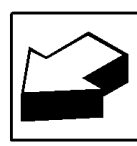
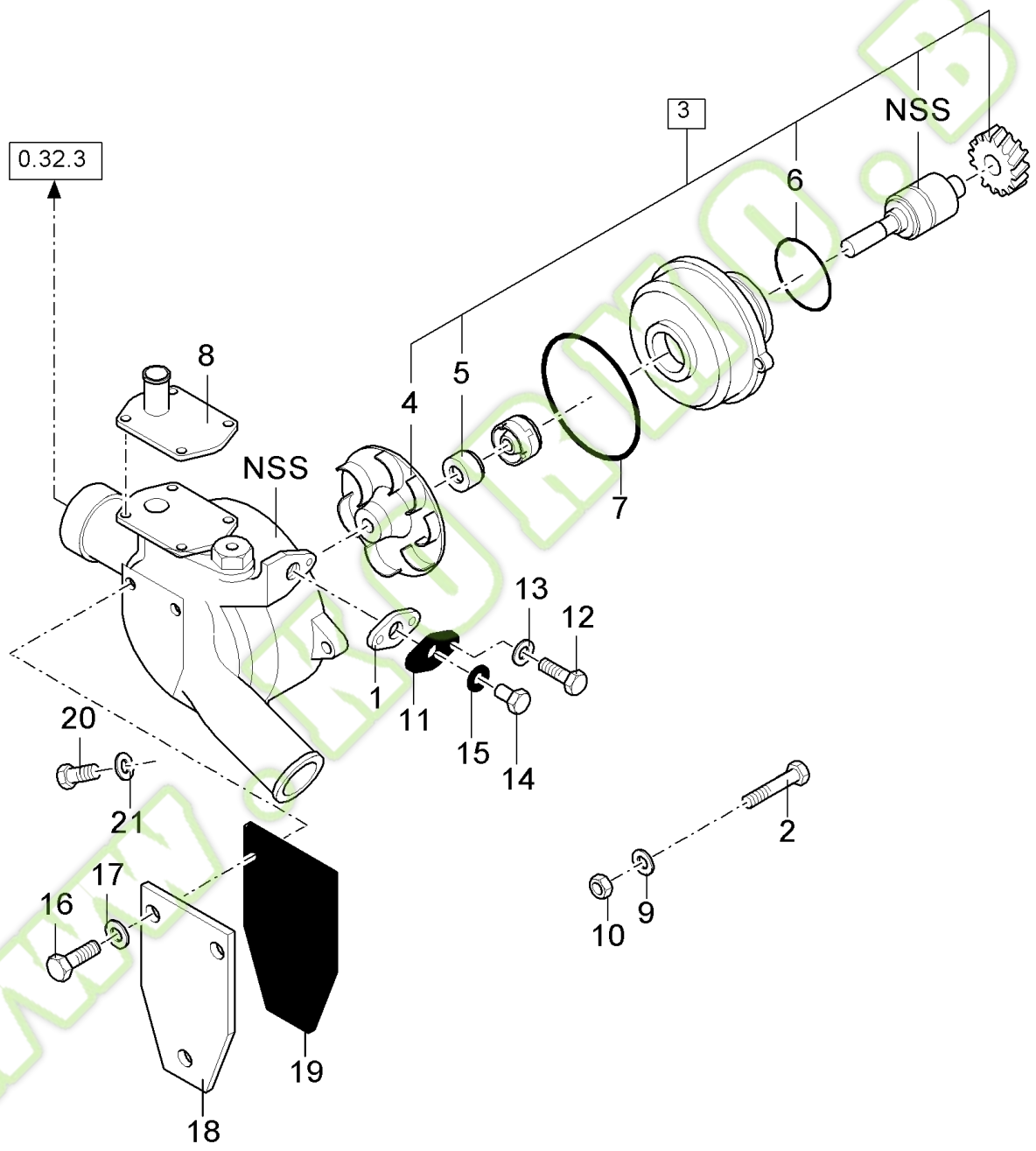
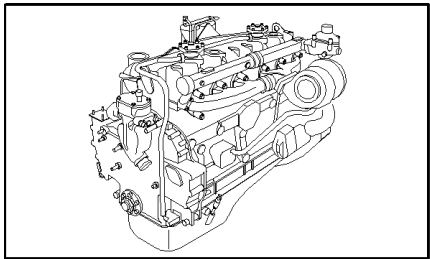


## FX48 SELF-PROPELLED FORAGE HARVESTER (9/98- )

## 0.31.0(01) OIL-WATER HEAT EXCHANGER - C217

Ref	Part Number	Qty	Description
1	98424387	1	HEAT EXCHANGER, (13 to 25)
2	4755982	1	BRACKET,
3	13546521	2	STUD,
4	4863970	1	GASKET,
5	12164721	2	NUT, M10 x 1.25, CI 10,
6	11198471	2	WASHER, LOCK, Belleville, M10.5,
7	11307024	2	SCREW, Hex, M10 x 1.25 x 40, 8.8, Full Thd, M10x40
8	4802745	2	SPACER,
9	14466481	1	GASKET, -246, CI 7, 4.484" ID x .139" Thk,
11	14499021	5	WASHER,
12	13546624	4	STUD,
13	16043924	2	SCREW, Hex, M8 x 35, 8.8, Full Thd, M8x35
14	12646724	AR	WASHER, M8 x 20 x 2, 8MM
15	16044524	3	SCREW, Hex, M8 x 65, 8.8, M8x65
17	10276111	4	PLUG,
18	10265060	4	GASKET, M32.4 x 38 x 1.5, Copper,
19	10279560	1	GASKET, M22.3 x 28 x 1, Copper,
20	10305140	1	PLUG,
21	14459081	4	O-RING, -132, CI 7, 1.737" ID x .103" Thk,
22	98415301	2	INTERNAL EXCHANGER UNIT,
23	4757294	1	BOX,
24	13543321	9	STUD, M8x20
24	13543521	3	STUD, M8x25
25	16100811	AR	NUT, M8, CI 8, CL 5, M8 x 1.25
16	16044224	3	SCREW, Hex, M8 x 50, 8.8, M8x50
10	12164714	1	NUT, M10 x 1.25, CI 8,

0.32.0(01) WATER PUMP - C217

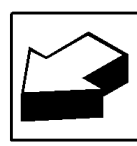
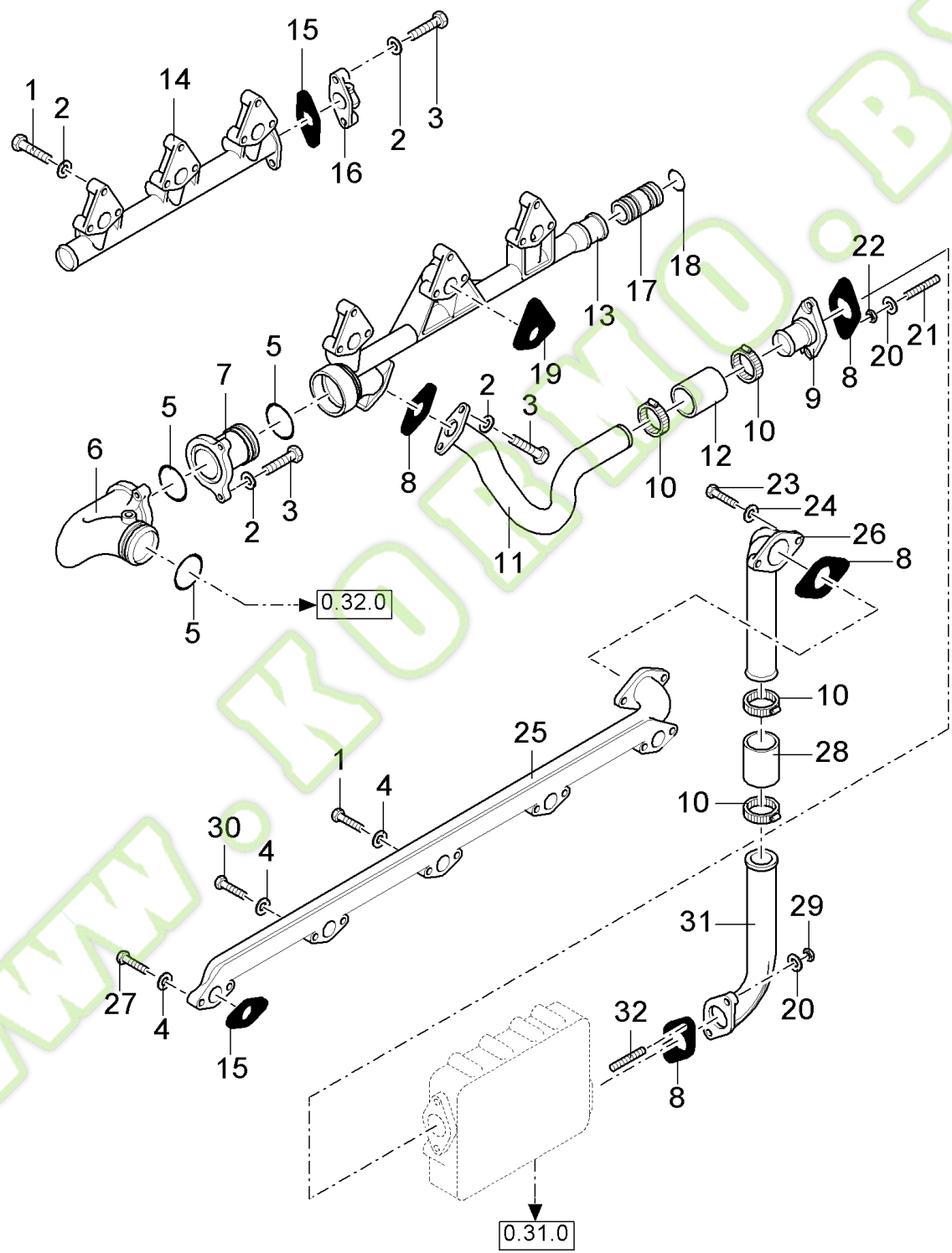
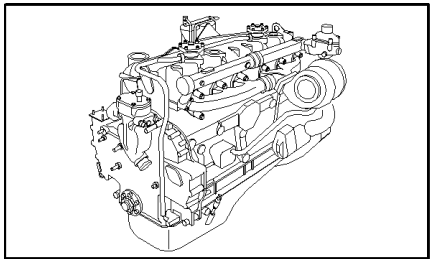


## FX48 SELF-PROPELLED FORAGE HARVESTER (9/98- )

## 0.32.0(01) WATER PUMP - C217

Ref	Part Number	Qty	Description
	500350783	1	PUMP, WATER, (3)
1	98495062	1	PLATE, COVER,
2	15971424	AR	SCREW, Hex, M10 x 1.25 x 80, 8.8, M10x80
2	15972821	AR	SCREW, Hex, M10 x 1.25 x 150, 8.8, M10x150
2	15970924	AR	SCREW, Hex, M10 x 1.25 x 35, 8.8, Full Thd, M10x35
3	500350785	1	KIT, (4 to 7)
4	61319588	1	FAN,
5	500350790	1	GASKET,
6	14460781	1	GASKET, -149, CI 7, 2.8" ID x .103" Thk,
7	14461680	1	O-RING, -158, 70 Duro, 4.737" ID x .103" Thk,
8	99462935	1	COVER,
9	11190574	AR	WASHER, LOCK, Belleville, M10.5, 10MM
10	12164721	AR	NUT, M10 x 1.25, CI 10, M10
11	61318823	1	GASKET,
12	14306321	2	SCREW, Hex Soc Hd, M8 x 20, 8.8,
13	11198374	2	WASHER, LOCK, Belleville, M10.5,
14	10300714	1	PLUG,
15	4858609	1	GASKET,
16	16043424	3	SCREW, Hex, M8 x 20, 8.8, Full Thd, M8x20
17	11193874	3	WASHER, LOCK, Belleville, M8.4, 8MM
18	99462934	1	COVER,
19	61318850	1	GASKET,
20	11903111	1	PLUG,
21	4858606	1	GASKET,

0.32.3(01) ENGINE COOLING LINES - C217

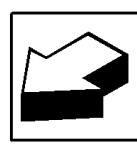
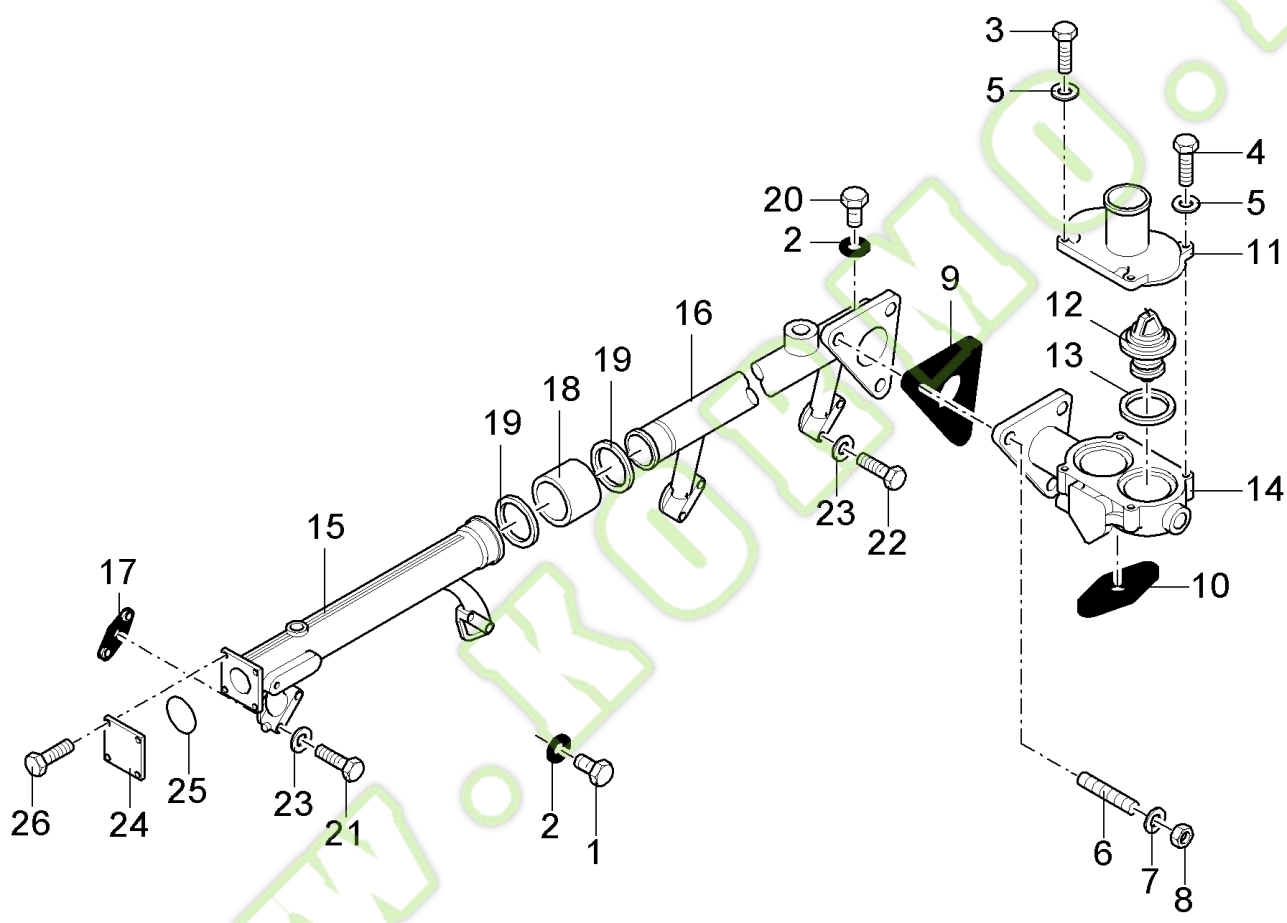
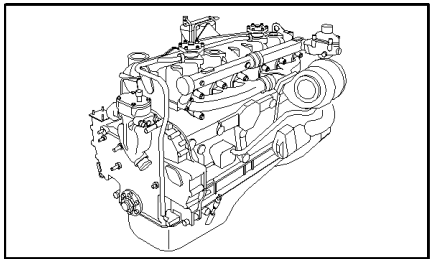


## FX48 SELF-PROPELLED FORAGE HARVESTER (9/98- )

## 0.32.3(01) ENGINE COOLING LINES - C217

Ref	Part Number	Qty	Description
1	16044031	12	SCREW, Hex, M8 x 40, 10.9, M8x40
2	10519624	15	WASHER, M8 x 17 x 2, 8MM
3	13543321	3	STUD, M8x30
4	4852211	20	WASHER,
5	500349805	3	O-RING,
6	98478087	1	TUBE, RIGID,
7	4859434	1	TUBE, RIGID,
8	4863951	4	GASKET,
9	4756798	1	TUBE, RIGID,
10	13000890	4	CLAMP, HOSE, D=50-70
11	98485417	1	TUBE, RIGID,
12	4863960	1	HOSE,
13	4813618	1	DUCT,
14	4813620	1	DUCT,
15	500308780	6	GASKET,
16	4641233	1	FLANGE,
17	4762647	1	SLEEVE,
18	14463281	4	GASKET, -214, CI 7, .984" ID x .139" Thk,
19	4852099	6	GASKET,
20	17793814	6	WASHER,
21	13543521	2	STUD, M8x25
22	16100821	4	NUT, M8, CI 10,
23	16043824	1	SCREW, Hex, M8 x 30, 5.8, Full Thd, M8x20
24	11193874	12	WASHER, LOCK, Belleville, M8.4,
25	98471454	1	TUBE, RIGID,
26	4670077	1	TUBE, RIGID,
27	16043924	4	SCREW, Hex, M8 x 35, 8.8, Full Thd, M8x35
28	4863962	1	HOSE,
29	16100821	2	NUT, M8, CI 10, M8
30	16044124	6	SCREW, Hex, M8 x 45, 8.8, M8x45
31	4756199	1	TUBE, RIGID,
32	13516821	2	STUD, M8x20

0.32.3(02) ENGINE COOLING LINES - C217

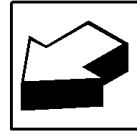
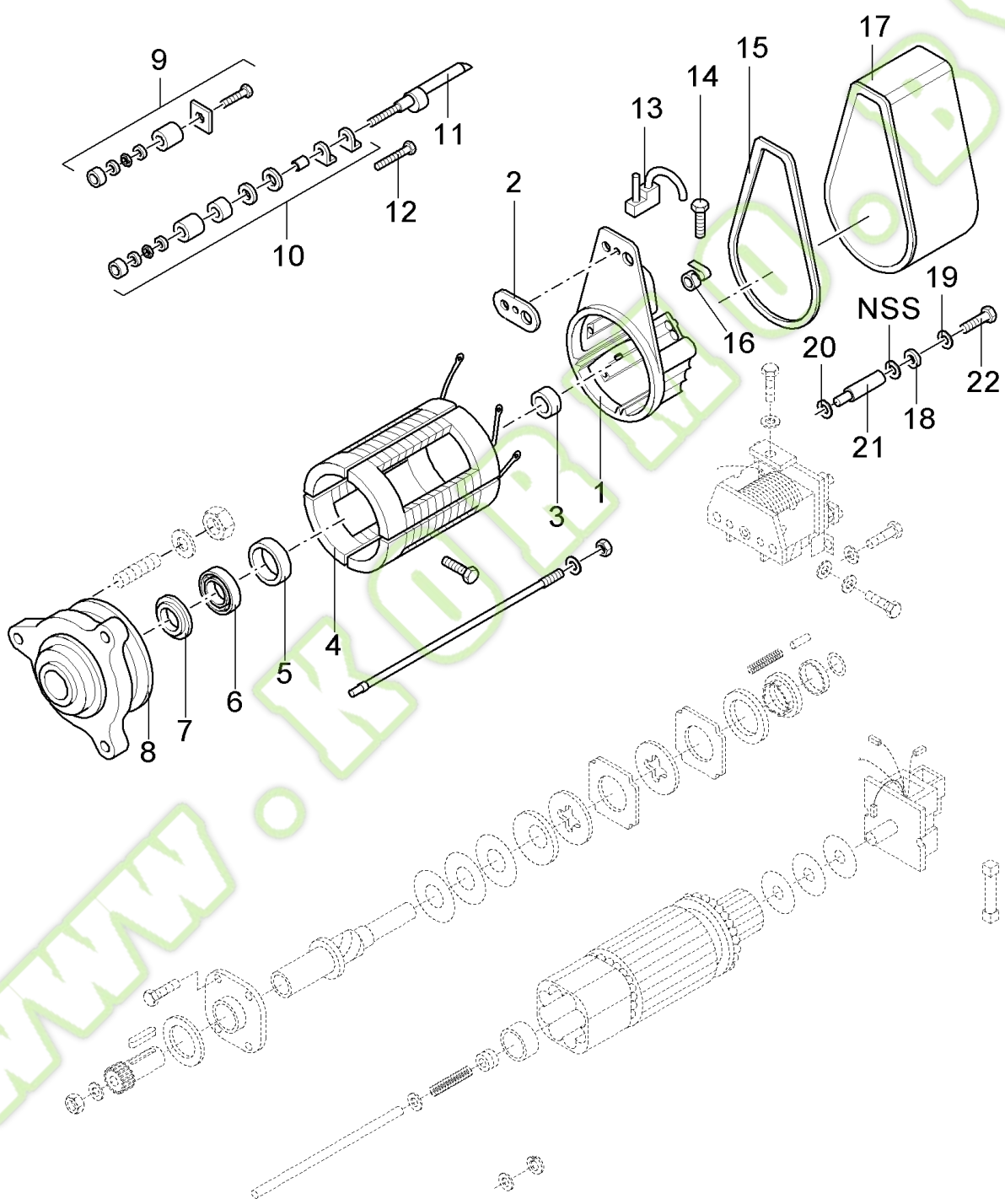
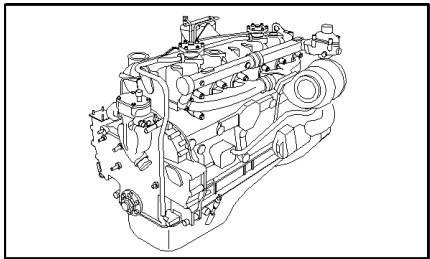


## FX48 SELF-PROPELLED FORAGE HARVESTER (9/98- )

## 0.32.3(02) ENGINE COOLING LINES - C217

Ref	Part Number	Qty	Description
1	16992211	1	PLUG, M12
1	10300611	3	PLUG, M14
1	10300714	1	PLUG, M16
1	10305171	1	PLUG, M22
2	4858607	2	GASKET, 12MM
2	4858608	3	GASKET, 14MM
2	4858609	1	GASKET, 16MM
2	10263460	1	GASKET, M22.3 x 28 x 1.5, Copper, 22MM
3	11343821	2	SCREW, Hex, M10 x 1.25 x 50, 8.8,
4	11343821	2	SCREW, Hex, M10 x 1.25 x 50, 8.8, M10x50
5	14496604	4	WASHER, M10 x 21 x 2,
6	13543521	3	STUD,
7	11193874	3	WASHER, LOCK, Belleville, M8.4, 8MM
8	16100821	3	NUT, M8, CI 10, M8
9	4862977	1	GASKET,
10	98438824	1	GASKET,
11	98418513	1	FLANGE,
12	98424854	2	THERMOSTAT,
13	4863955	2	GASKET,
14	61319248	1	BODY,
15	99437827	1	DUCT,
16	99462933	1	DUCT,
17	4852097	4	GASKET,
18	4859434	1	TUBE, RIGID,
19	14471481	2	GASKET, -331, CI 7, 2.225" ID x .210" Thk,
20	4749335	1	CONNECTOR, HYD.,
21	15888724	6	SCREW, Hex, M10 x 1.25 x 55, 8.8, M10x55
22	11343821	2	SCREW, Hex, M10 x 1.25 x 50, 8.8, M10x50
23	14496621	8	WASHER, M10 x 21 x 2,
24	99479060	1	COVER,
25	17280580	1	GASKET,
26	16586424	4	SCREW,

0.36.0(01) STARTER MOTOR - C217



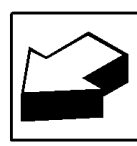
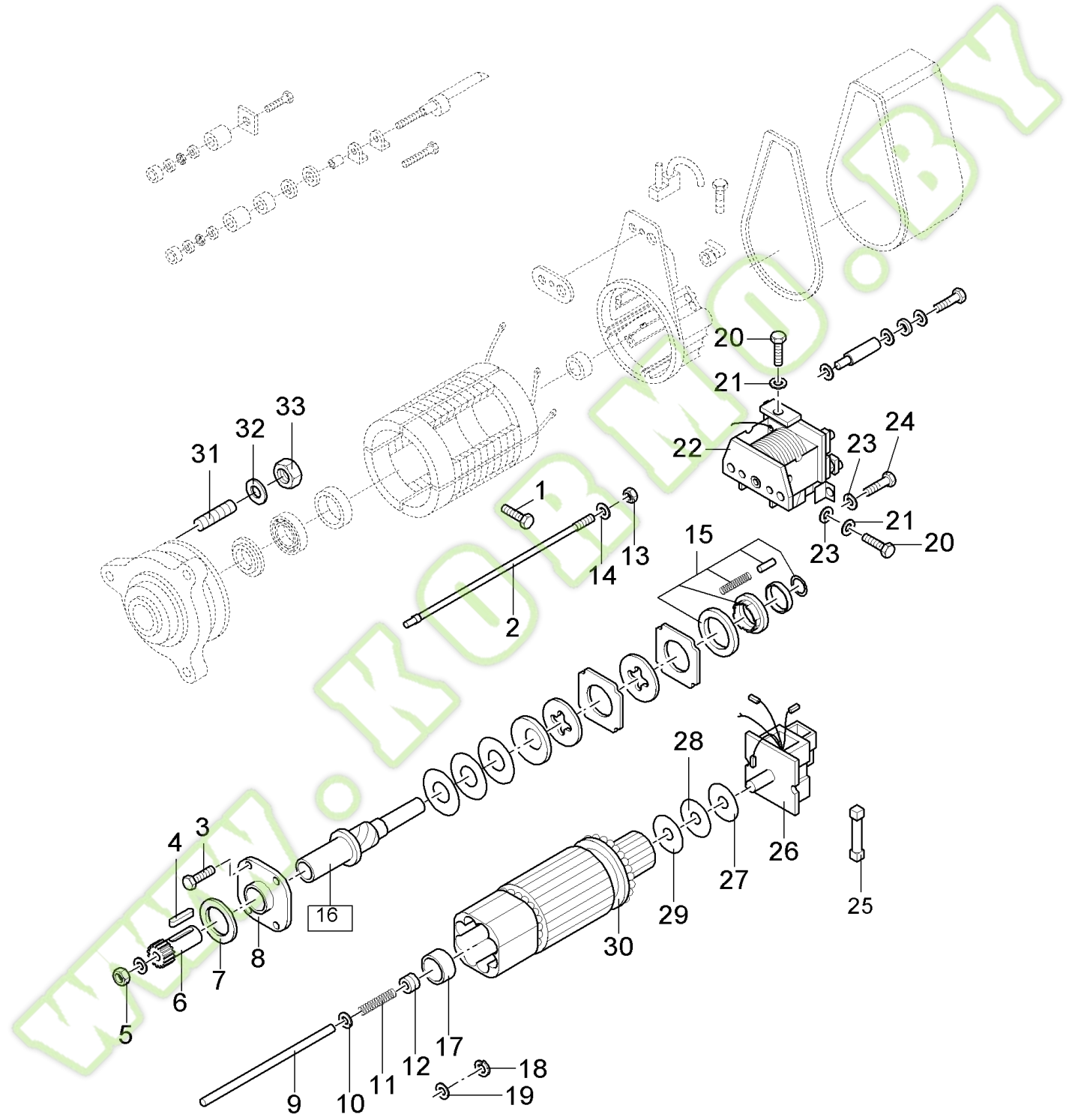
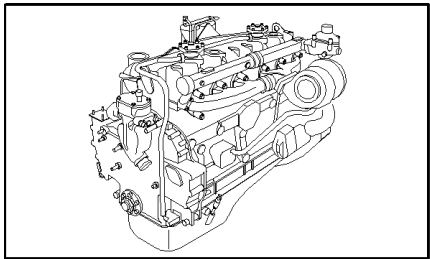


## FX48 SELF-PROPELLED FORAGE HARVESTER (9/98- )

## 0.36.0(01) STARTER MOTOR - C217

Ref	Part Number	Qty	Description
	4782803	1	MOTOR, STARTER, (1 to 22)
1	9962612	1	SUPPORT,
2	9984888	1	PLATE, COVER,
3	79052278	1	BUSHING,
4	8121266	1	WINDING, ELECTRICAL,
5	9920337	1	RING,
6	79052273	1	BEARING ASSY,
7	79052272	1	GASKET,
8	9984890	1	SUPPORT,
9	1306445	AR	KIT,
10	9984894	AR	KIT,
11	9984889	1	CONNECTOR, WIRE,
12	9928976	1	SCREW,
13	79052257	1	BRUSH,
14	79052258	1	SCREW,
15	9920382	1	RING, RUBBER,
16	1290139	4	SPRING,
17	9928974	1	COVER,
18	79052265	2	CUP,
19	10516474	2	WASHER, LOCK,
20	8121272	1	WASHER,
21	15896221	2	NUT, M6, CI 10,
22	9923751	2	SCREW,

0.36.0(02) STARTER MOTOR - C217

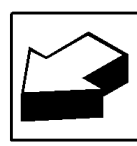
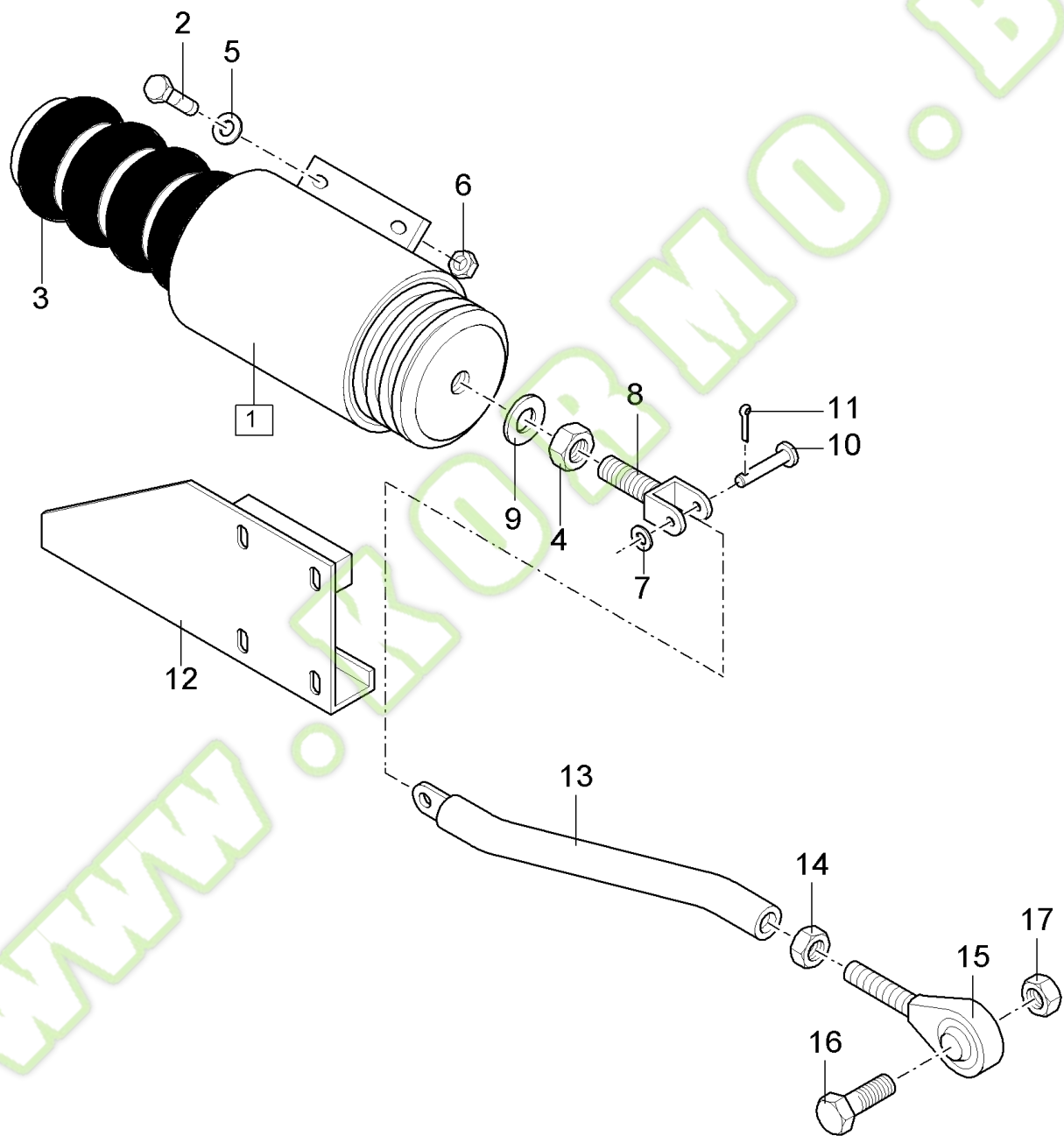
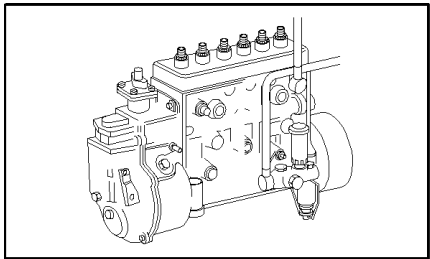


## FX48 SELF-PROPELLED FORAGE HARVESTER (9/98- )

## 0.36.0(02) STARTER MOTOR - C217

Ref	Part Number	Qty	Description
1	9962884	1	SCREW,
2	1290071	1	SCREW,
2	1298802	3	TIE-ROD,
3	79052237	4	SCREW,
4	79052235	1	KEY,
5	79052233	1	NUT,
6	9920672	1	SPROCKET, DRIVEN,
7	79052239	1	RING,
8	9920338	1	FLANGE,
9	8121268	1	SHAFT,
10	79052244	1	RING,
11	79052245	1	SPRING,
12	79052246	1	RING,
13	15896221	4	NUT, M6, CI 10,
14	9009583	4	WASHER,
15	79052270	1	KIT,
16	79052241	1	SPINDLE, (15)
17	79052275	1	BEARING ASSY,
18	79052248	1	RING, LOCKING,
19	79052247	11	BALL,
20	79028449	6	SCREW,
21	10571474	8	WASHER, LOCK,
22	79052269	1	SWITCH, REMOTE CONTROL,
23	9961722	2	WASHER, LOCK,
24	79106737	2	SCREW,
25	9927611	1	CABLE, ELECTRIC,
26	79052266	1	ELECTROMAGNET,
27	9920374	AR	PLATE, ADJUSTING, THK.:0.2MM
28	79052250	AR	PLATE, ADJUSTING, THK.:0.3MM
29	79052251	AR	PLATE, ADJUSTING, THK.:0.5MM
30	8121267	1	ARMATURE,
31	11797421	3	STUD, M14x20x35
32	11200174	3	WASHER, LOCK, 14MM
33	12164021	3	NUT, M14 x 1.5, CI 10, M14 x 1.5

0.56.5(01) ELECTRIC STOP ENGINE - C217



## FX48 SELF-PROPELLED FORAGE HARVESTER (9/98- )

## 0.56.5(01) ELECTRIC STOP ENGINE - C217

Ref	Part Number	Qty	Description
1	8017114	1	ELECTROMAGNET, (3,4,7 to 11)
2	10902824	4	SCREW, 1/4" x 1 1/4", M6x40
3	98417461	1	BOOT,
4	16100821	1	NUT, M8, CI 10,
5	11197774	4	WASHER, LOCK, Belleville, M6.4,
5	11190574	2	WASHER, LOCK, Belleville, M10.5,
6	15896221	4	NUT, M6, CI 10,
7	14496301	2	WASHER,
8	8110822	1	YOKE,
9	11193874	1	WASHER, LOCK, Belleville, M8.4,
10	10033211	2	PIN,
11	10734101	2	PIN, SPLIT (COTTER), M1.6 x 12,
12	8018927	1	SUPPORT,
13	8021867	1	TIE-ROD, (21)
14	15896240	4	NUT, M6, Brass, M6
15	8016587	1	ARTICULATION,
16	8016470	1	SCREW,
17	17152621	1	NUT, M5
2	11306924	2	SCREW, Hex, M10 x 1.25 x 30, 8.8, Full Thd, M6x16

ENGINE

MOTEUR

MOTOR

MOTOR

MOTORE

MOTOR

MOTOR

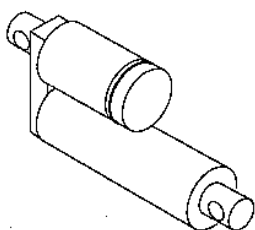
MOTOR

**SEC. 1**

**FX28-38-48 IVECO**

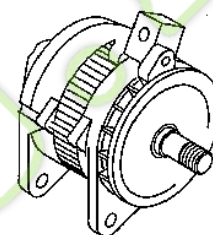
**1.1**

+ see separate engine catalogues for D218



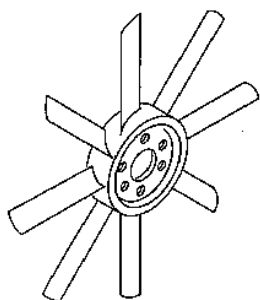
**1.2 → 1.4**

+ see separate engine catalogues for D218



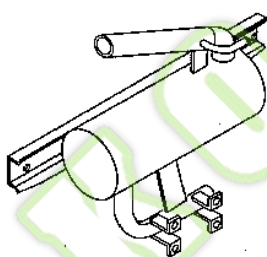
**1.5 → 1.6**

**1.51**



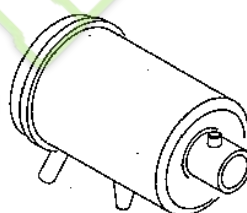
**1.7**

**1.52**



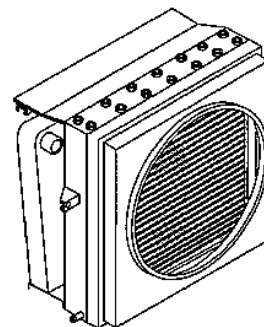
**1.8 → 1.9**

**1.52**

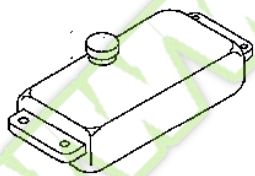


**1.11 → 1.16**

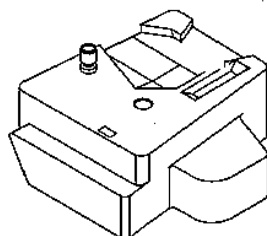
**1.53 → 1.59**



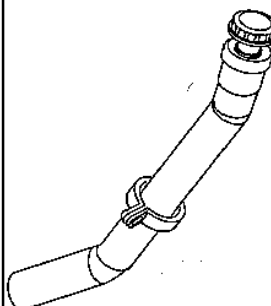
**1.17**



**1.20 → 1.22**

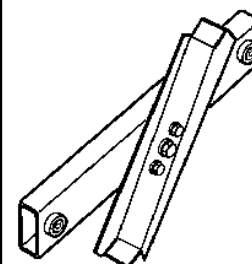


**1.19**

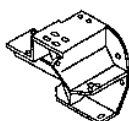


**1.23**

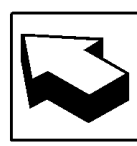
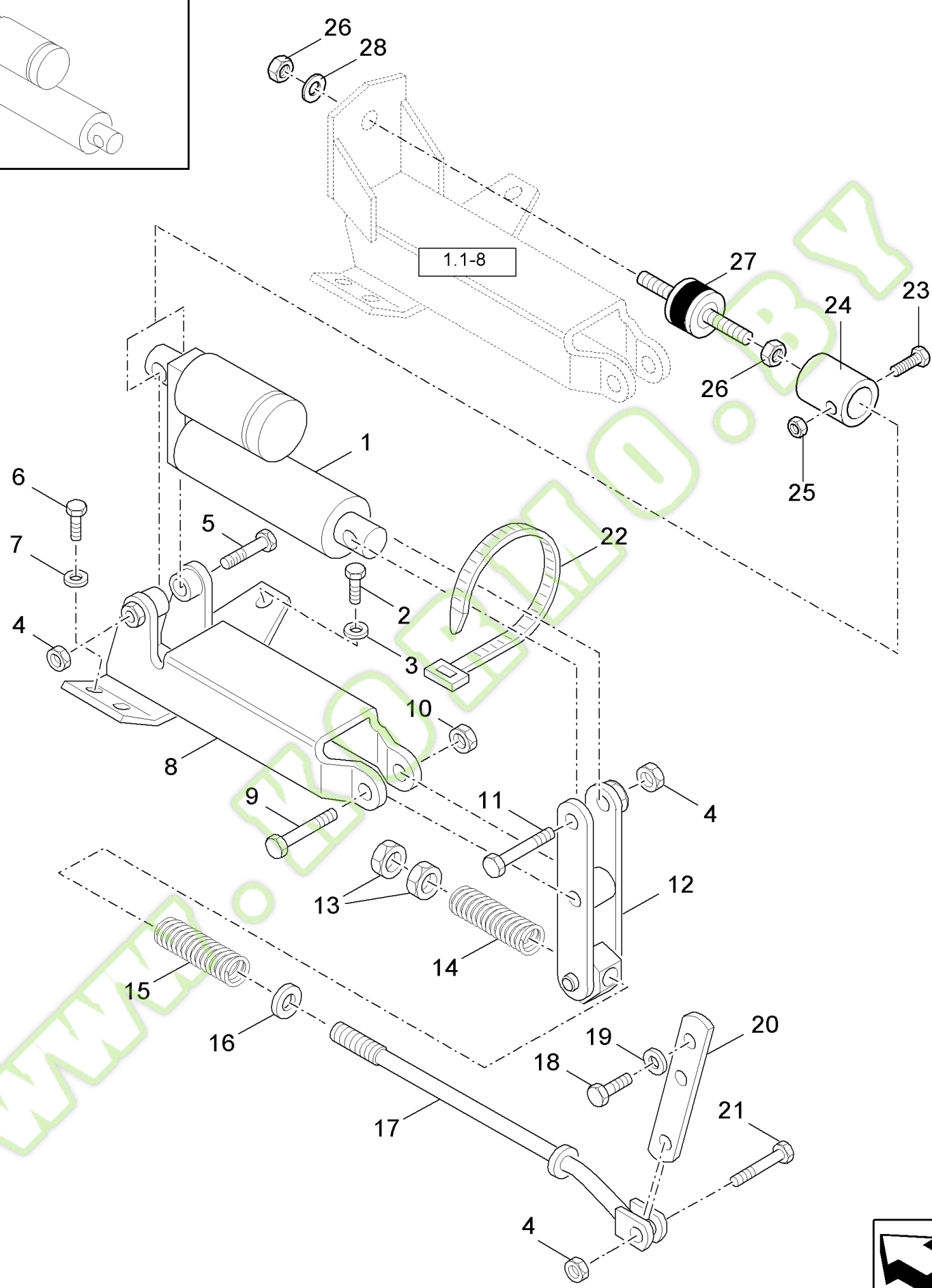
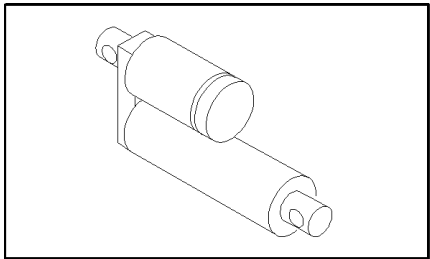
**1.56**



**1.10 1.60**  
**1.18 1.61**



Ref	Part Number	Qty	Description
<p>WWW.KORMO.BY</p>			

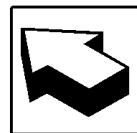
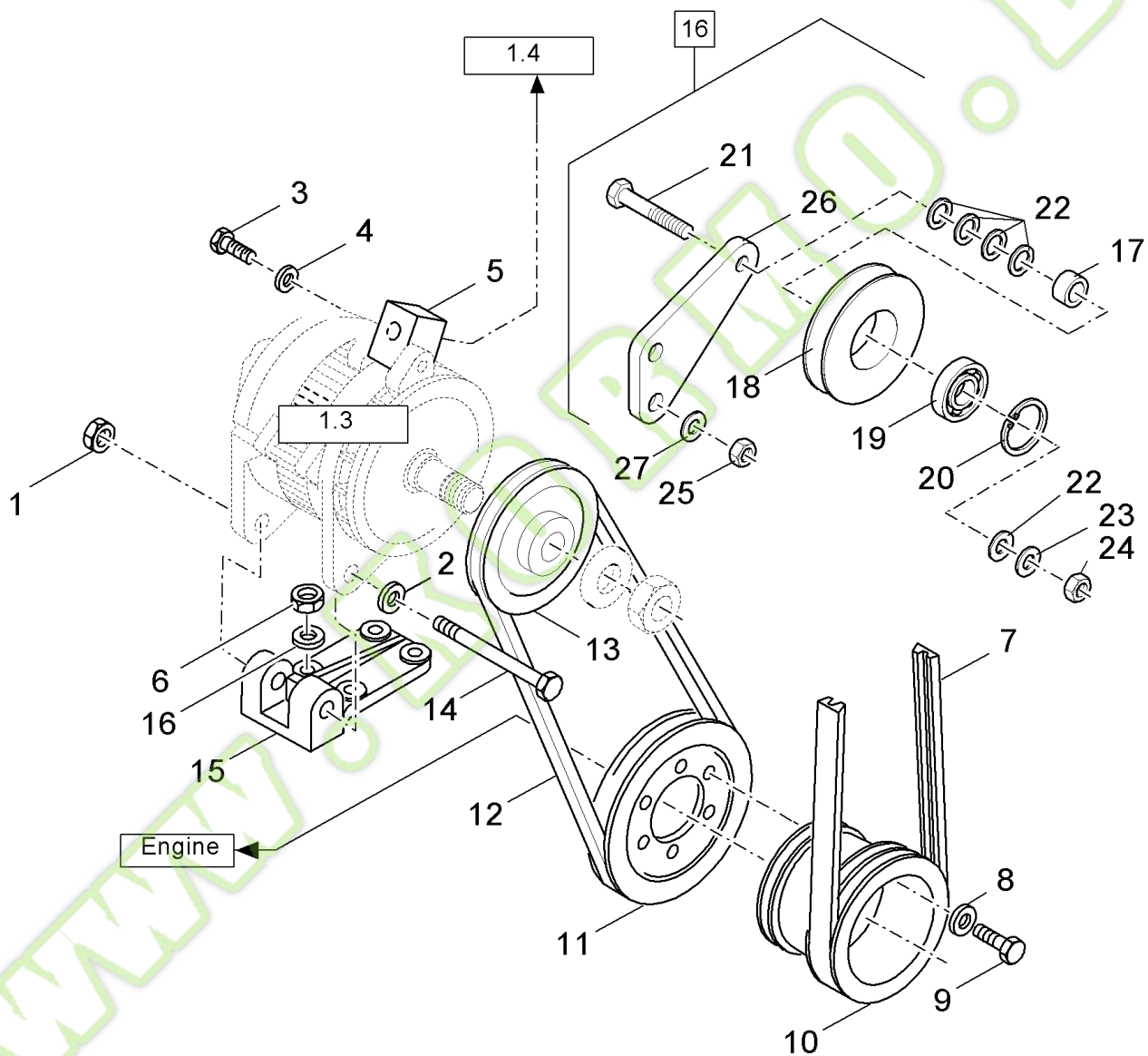
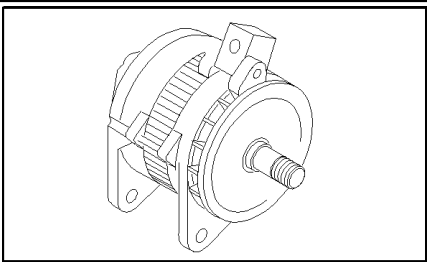




## FX48 SELF-PROPELLED FORAGE HARVESTER (9/98- )

## 01.001(01) THROTTLE CONTROL - C217

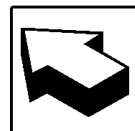
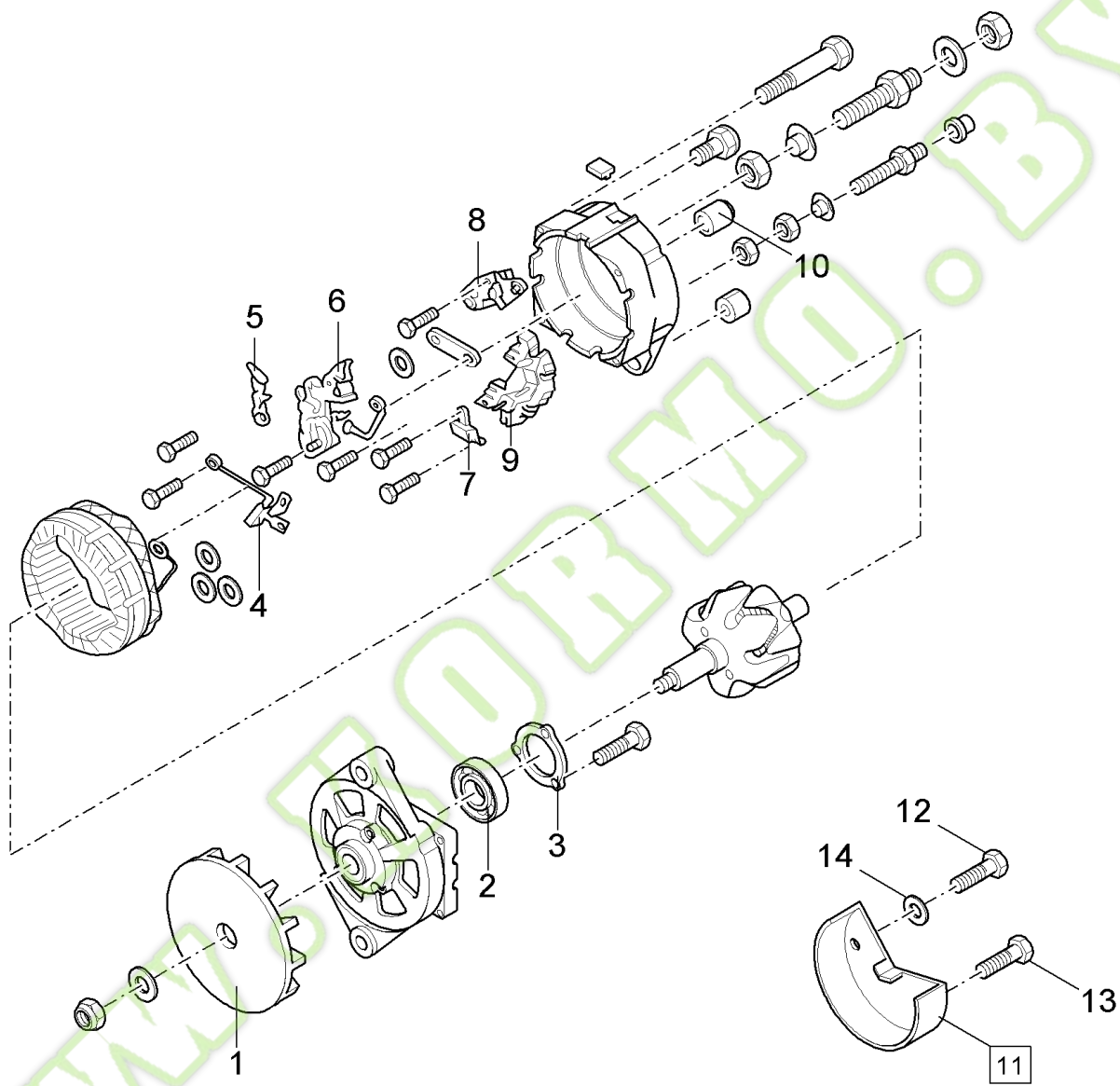
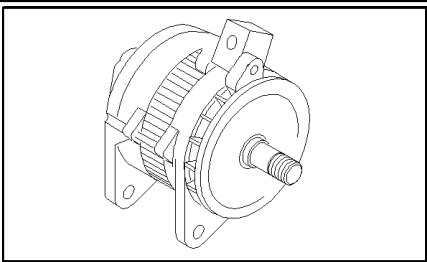
Ref	Part Number	Qty	Description
1	84056423	1	ACTUATOR, , BSN C135
1	84077509	1	ACTUATOR, , ASN D136
2	43127	1	BOLT, {PP:80043127} Hex, M8 x 25, 8.8, M8x25
3	322358	1	WASHER, LOCK, {PP:80322358} Belleville, M8, 8MM
4	9706755	1	NUT, {PP:89706755} M6, CI 8, M6
5	338413	1	SCREW, {PP:80338413} Hex, M6 x 60, 8.8, M6x60, BSN C092
6	80412160	2	BOLT, M10x1,25x30
7	140045	2	WASHER, LOCK, {PP:80140045} Belleville, M10, 10MM
8	84019792	1	SUPPORT, , BSN C092
8	84043931	1	SUPPORT, , ASN D093
9	80120061	1	SCREW, M8x60, BSN C092
9	120062	1	SCREW, {PP:80120062} Hex, M8 x 70, 8.8, M8x70, ASN D093
10	100015	1	NUT, {PP:80100015} M8, CI 8, M8
11	80120102	1	SCREW, M6x40
12	84019830	1	LEVER,
13	100016	2	NUT, {PP:80100016} M10, CI 8, M10
14	355988	1	SPRING, {PP:80355988}
15	80918027	1	SPRING,
16	378244	AR	WASHER, LOCK, {PP:80378244} 10MM
17	84026232	1	TIE-ROD, THREADED,
18	80120099	1	SCREW, Hex, M6 x 16, 8.8, M6x15
19	322357	1	WASHER, LOCK, {PP:80322357} Belleville, M6, Belleville, M6
20	84026823	1	PLATE, COVER, , FOR FX38-48 ONLY
20	84026824	1	PLATE, COVER, , FOR FX28 ONLY
21	120054	1	SCREW, {PP:80120054} Hex, M6 x 30, 8.8, M6x30
22	396718	1	STRAP, {PP:80396718}
23	80120102	1	SCREW, M6x40, ASN D093
24	84069448	1	SLEEVE, , ASN D093
25	353308	1	NUT, {PP:80353308} M6 x 1, CI 8, M6, ASN D093
26	100015	2	NUT, {PP:80100015} M8, CI 8, M8, ASN D093
27	393802	1	SHOCK ABSORBER, {PP:80393802} , ASN D093
28	322358	1	WASHER, LOCK, {PP:80322358} Belleville, M8, 8MM, ASN D093



## FX48 SELF-PROPELLED FORAGE HARVESTER (9/98- )

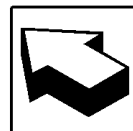
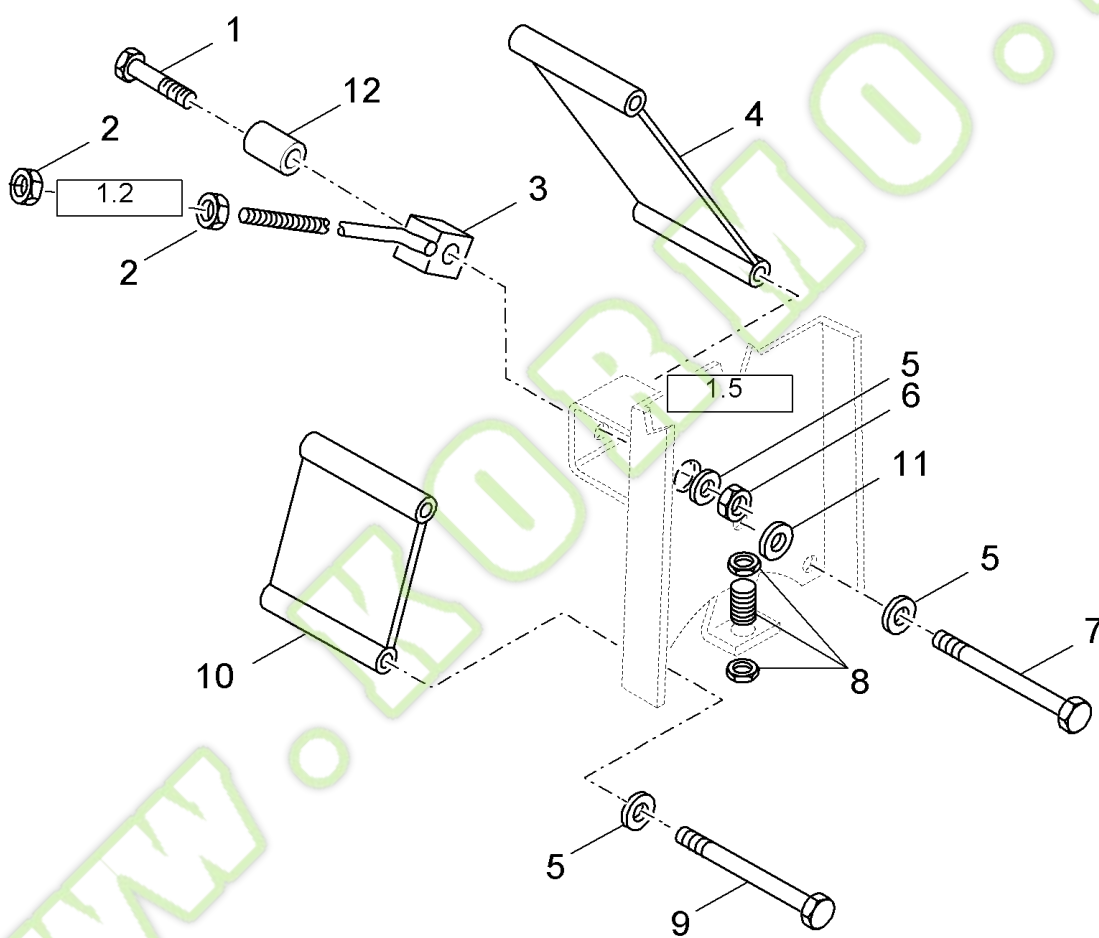
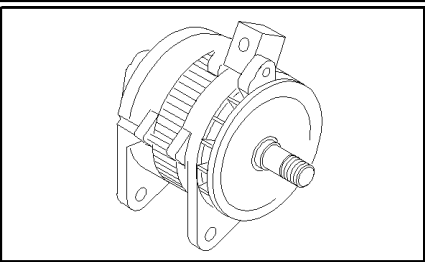
## 01.002(01) ALTERNATOR - C217

Ref	Part Number	Qty	Description
1	88871	1	NUT, LOCK, {PP:80088871} 1/2"-13, GC, GC, 1/2"-13
2	394630	1	WASHER, {PP:80394630}
3	9707516	1	SCREW, {PP:89707516} Hex, 1/2"-13 x 1 3/4", G5,
4	80679	1	WASHER, LOCK, {PP:80080679} 1/2", 1/2"
5	84005658	1	BLOCK,
6	89837227	4	NUT, M10x1.25
7	84043106	1	BELTS, SET OF 2,
7	84057609	1	BELTS, SET OF 2, , FOR GERMANY ONLY, FOR FX48 ONLY
8	140046	6	WASHER, LOCK, {PP:80140046} Belleville, M12, 12MM
9	84011757	6	SCREW, Hex, M12 x 1.25 x 60, 8.8, M12x1.25x60
10	84045159	1	PULLEY,
11	84022808	1	PULLEY,
12	84022807	1	BELT, TRANSMISSION,
13	84005585	1	PULLEY,
14	86000020	1	BOLT, Hex, 1/2"-13 x 6", G5, .50"x6.0"
15	89833678	1	SUPPORT,
16	84076597	1	KIT, CONVERSION, (17 to 27), KIT TO AVOID EXCESSIVE VIBRATIONS OF ALTERNATOR BELT.FOR REBUILDING MACHINES BEFORE ---128001
17	84071567	1	SHAFT, , ASN D128
18	922046	1	PULLEY, {PP:80922046} , ASN D128
19	727874	1	BEARING ASSY, {PP:80727874} , ASN D128
20	300647	1	CIRCLIP, {PP:80300647} , ASN D128
21	120070	1	BOLT, {PP:80120070} Hex, M10 x 60, 8.8, M10x60, ASN D128
22	378244	AR	WASHER, LOCK, {PP:80378244} 10MM, ASN D128
23	140045	1	WASHER, LOCK, {PP:80140045} Belleville, M10, 10MM, ASN D128
24	100016	1	NUT, {PP:80100016} M10, CI 8, M10, ASN D128
25	379752	2	NUT, {PP:80379752} M12 x 1.25", CI 10, M12, ASN D128
26	84076566	1	SUPPORT, , ASN D128
27	140046	2	WASHER, LOCK, {PP:80140046} Belleville, M12, 12MM, ASN D128



## 01.003(01) ALTERNATOR - C217

Ref	Part Number	Qty	Description
	9705428	1	ALTERNATOR, {PP:89705428} (1 to 10), DUST FREE ALTERNATOR
1	86507634	1	BLOWER,
2	86507626	1	BEARING, BALL,
3	86507633	1	FLANGE,
4	86507628	1	DIODE,
5	86507632	1	BRUSH,
6	86507631	1	HOLDER,
7	86507630	1	BRUSH,
8	86507629	1	REGULATOR, VOLTAGE,
9	86507627	1	RECTIFIER,
10	86507625	1	BUSHING,
11	86536924	1	COVER, DUST (12 to 14)
12	87404	1	SCREW, {PP:80087404} Hex, 1/4"-20 x 2", G5, CAP, HH, 65, 1/4"-20x2"
13	NSS	1	NOT SERVICED SEPARATELY, 8x1-7/8"
14	F2NN13N866AA	1	HARNESS, WIRE, {PP:85700753} LOCK, ext T, 1/4"

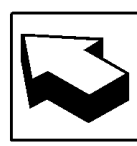
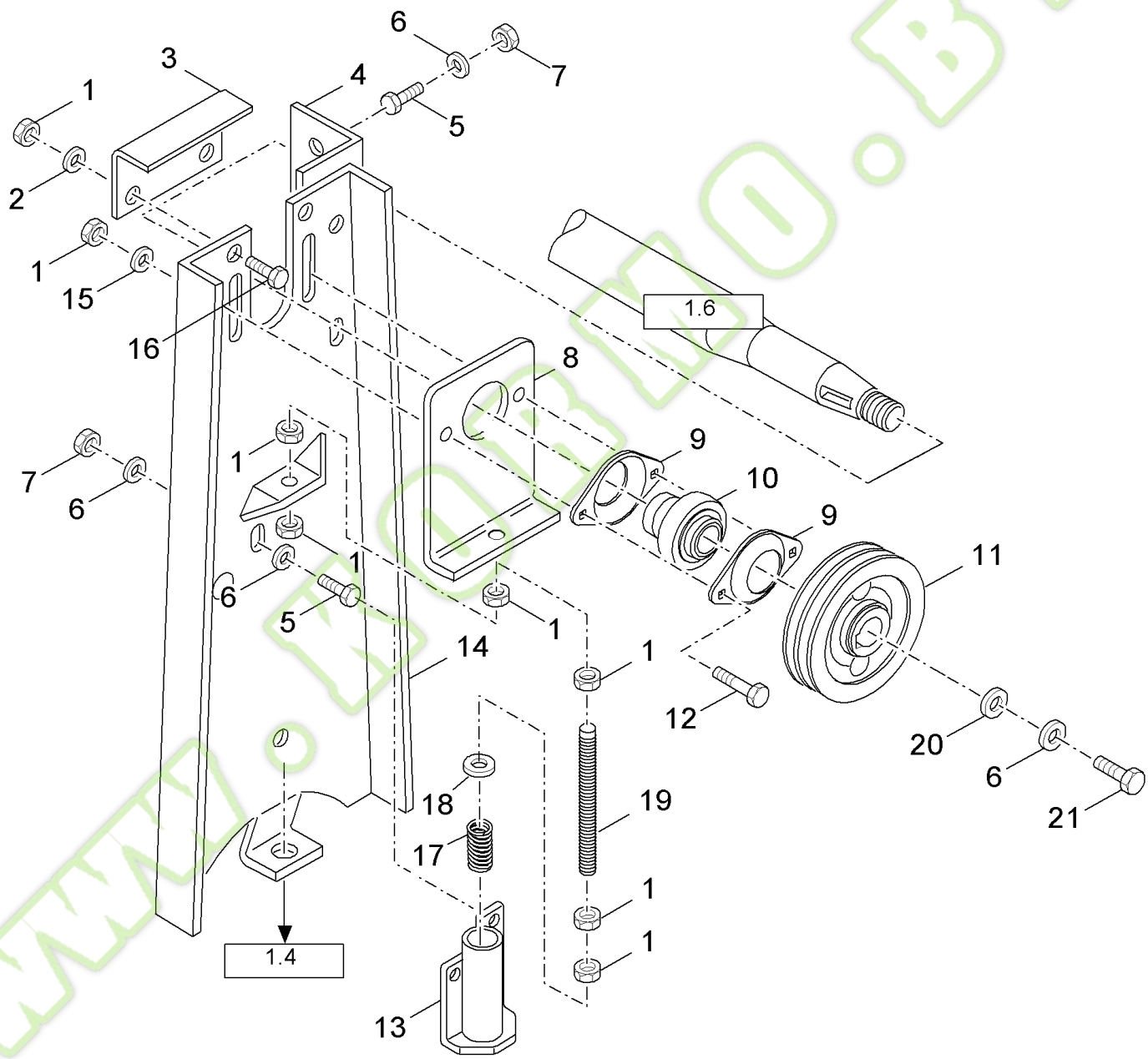
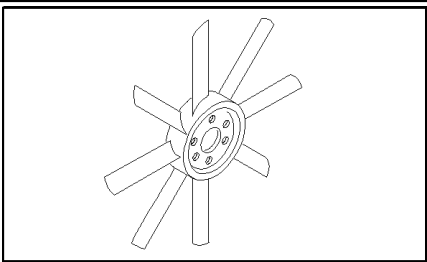


## FX48 SELF-PROPELLED FORAGE HARVESTER (9/98- )

## 01.004(01) ENGINE ACCESSORIES - C217

Ref	Part Number	Qty	Description
1	120068	1	SCREW, {PP:80120068} Hex, M10 x 40, 8.8, Full Thd, M10x40
2	337475	2	NUT, {PP:80337475} M12, CI 10, M12
3	89835490	1	ROD,
4	84014538	1	BRACKET,
5	140045	3	WASHER, LOCK, {PP:80140045} Belleville, M10, 10MM
6	100016	1	NUT, {PP:80100016} M10, CI 8, M10
7	89837212	1	SCREW, M10x1.25x230
8	84058854	1	SENSOR, SPEED
9	89837214	1	SCREW, M10x1.25x135
10	84014540	1	BRACKET,
11	190067	1	BUSHING, RUBBER, {PP:80190067}
12	9837720	1	SILENTBLOC, {PP:89837720}

WWW.KORMO.BY

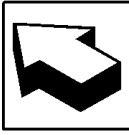
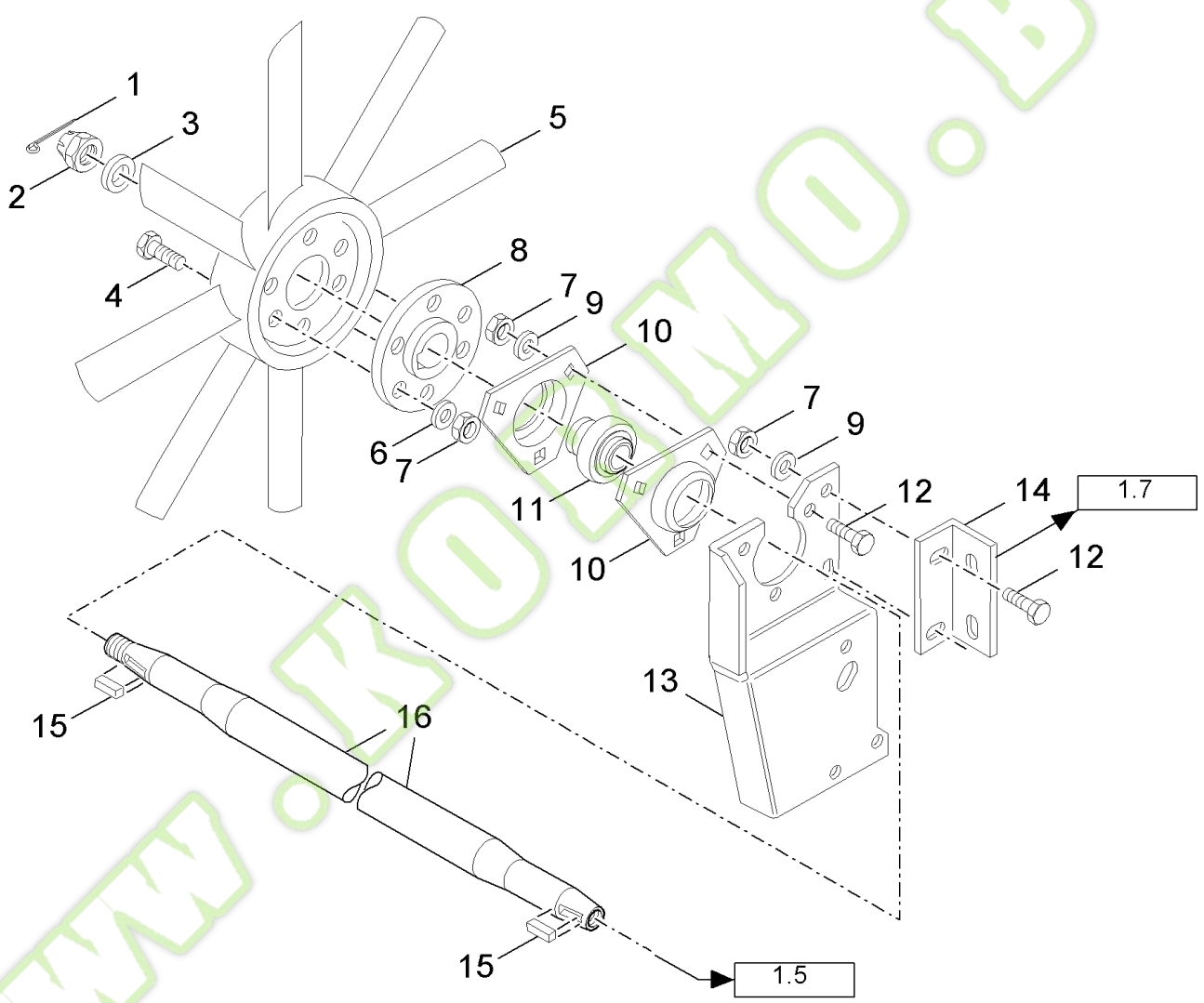
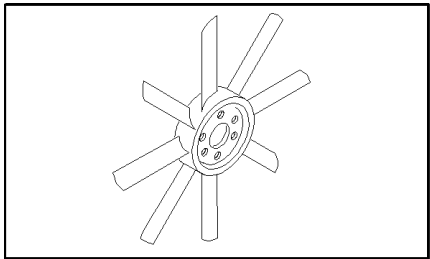




## FX48 SELF-PROPELLED FORAGE HARVESTER (9/98- )

## 01.005(01) FAN DRIVE - C217

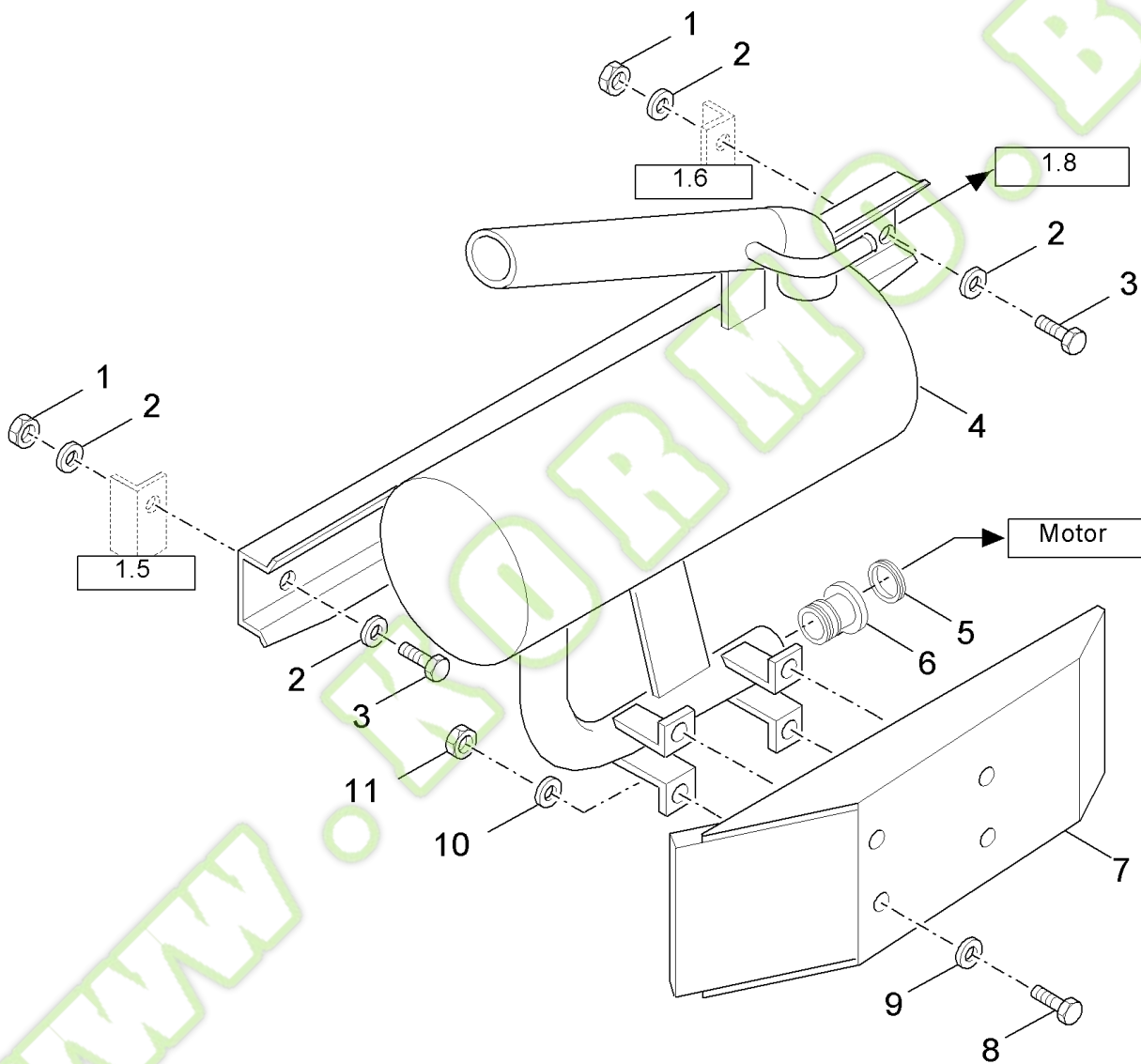
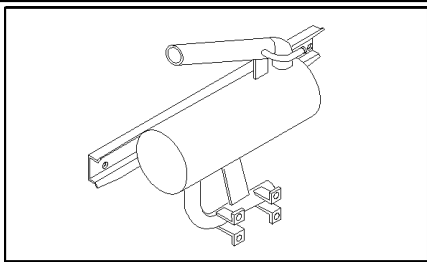
Ref	Part Number	Qty	Description
1	100016	AR	NUT, {PP:80100016} M10, CI 8, M10
2	140045	2	WASHER, LOCK, {PP:80140045} Belleville, M10, 10MM
3	84021008	1	BRACKET,
4	84021007	1	BRACKET,
5	9706687	10	SCREW, {PP:89706687} Hex, M12 x 30, 8.8, M12x30
6	140046	21	WASHER, LOCK, {PP:80140046} Belleville, M12, 12MM
7	337475	10	NUT, {PP:80337475} M12, CI 10, M12
8	84071846	1	PLATE, COVER,
9	165385	2	FLANGE, {PP:80165385}
10	325110	1	BEARING ASSY, {PP:80325110} , BSN C092
10	84069440	1	BEARING ASSY, , ASN D093
11	84045158	1	PULLEY,
11	84071681	1	PULLEY, , FOR GERMANY ONLY, FOR FX48 ONLY
12	374892	2	BOLT, {PP:80374892} Short NK, M10 x 40, CI8.8, Full Thd, M10x40
13	84053047	1	SUPPORT,
14	84045170	1	PLATE,
15	394629	2	WASHER, LOCK, {PP:80394629} 10MM
16	120109	2	SCREW, {PP:80120109} Hex, M10 x 20, 8.8, Full Thd, M10x20
17	445013	1	SPRING, {PP:80445013}
18	84053045	1	RING,
19	84037052	1	STUD,
20	140085	1	WASHER, {PP:80140085}
21	300389	1	SCREW, {PP:80300389} Hex, M12 x 35, 8.8, Full Thd, M12x35



## FX48 SELF-PROPELLED FORAGE HARVESTER (9/98- )

01.006(01) FAN - C217

Ref	Part Number	Qty	Description
1	300595	1	PIN, SPLIT (COTTER), {PP:80300595} M4 x 40,
2	412144	1	SLOTTED NUT, {PP:80412144} M20 x 1.5, CI 8, M20x1.5
3	9506874	1	WASHER, {PP:89506874}
4	120041	6	BOLT, {PP:80120041} Short NK, M10 x 20, CI8.8, Full Thd, M10x20
5	84032594	1	FAN, , FOR FX28-38 ONLY
5	84012323	1	FAN, , FOR FX48 ONLY
6	140045	6	WASHER, LOCK, {PP:80140045} Belleville, M10, 10MM
7	100016	9	NUT, {PP:80100016} M10, CI 8, M10
8	84017258	1	FLANGE,
9	394629	5	WASHER, LOCK, {PP:80394629} 10MM
10	86548970	2	FLANGE,
11	325110	1	BEARING ASSY, {PP:80325110} , BSN C092
11	84069440	1	BEARING ASSY, , ASN D093
12	374892	5	BOLT, {PP:80374892} Short NK, M10 x 40, CI8.8, Full Thd, M10x40
13	84014107	1	PLATE,
14	84021006	1	BRACKET,
15	170008	2	KEY, {PP:80170008}
16	84017266	1	SHAFT,

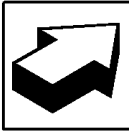
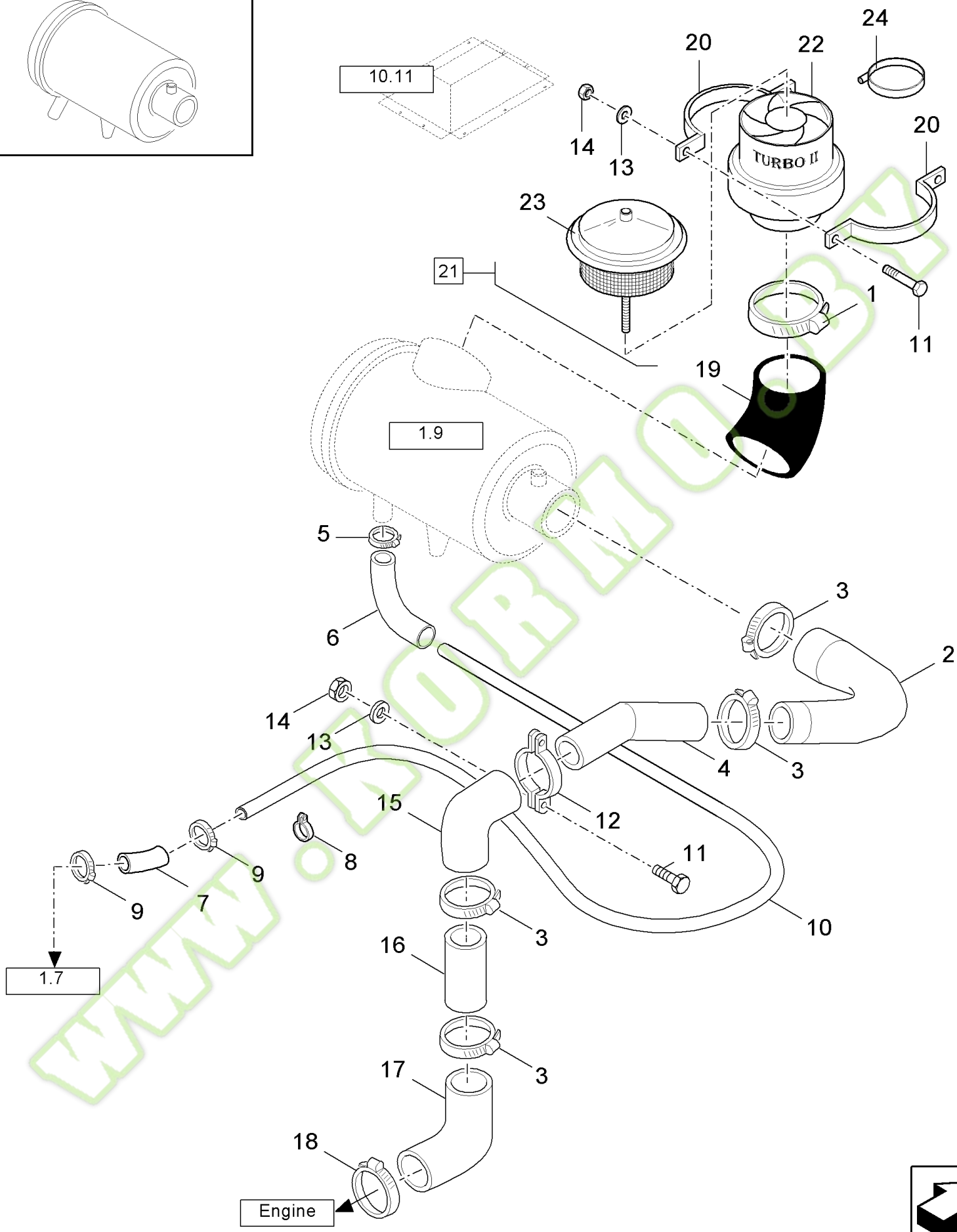
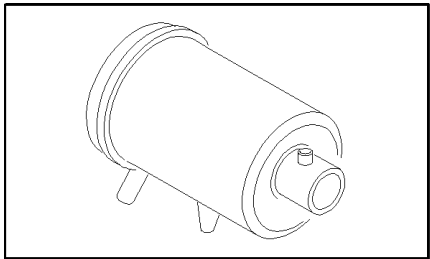


## FX48 SELF-PROPELLED FORAGE HARVESTER (9/98- )

## 01.007(01) MUFFLER - C217

Ref	Part Number	Qty	Description
1	337475	2	NUT, {PP:80337475} M12, CI 10, M12
2	140046	4	WASHER, LOCK, {PP:80140046} Belleville, M12, 12MM
3	9706687	2	SCREW, {PP:89706687} Hex, M12 x 30, 8.8, M12x30
4	84042048	1	MUFFLER, , FOR FX28 ONLY
4	84042049	1	MUFFLER, , FOR FX38 ONLY
4	84041224	1	MUFFLER, , FOR FX48 ONLY
5	84014931	2	SET OF RINGS,
6	84014924	1	FLANGE,
7	84018611	1	SHIELD,
8	120059	4	SCREW, {PP:80120059} Hex, M8 x 40, 8.8, Hex, M8 x 40, 8.8
9	140041	4	WASHER, {PP:80140041} M8 x 28 x 3, 8MM
10	322358	4	WASHER, LOCK, {PP:80322358} Belleville, M8, 8MM
11	100015	4	NUT, {PP:80100015} M8, CI 8, M8

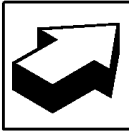
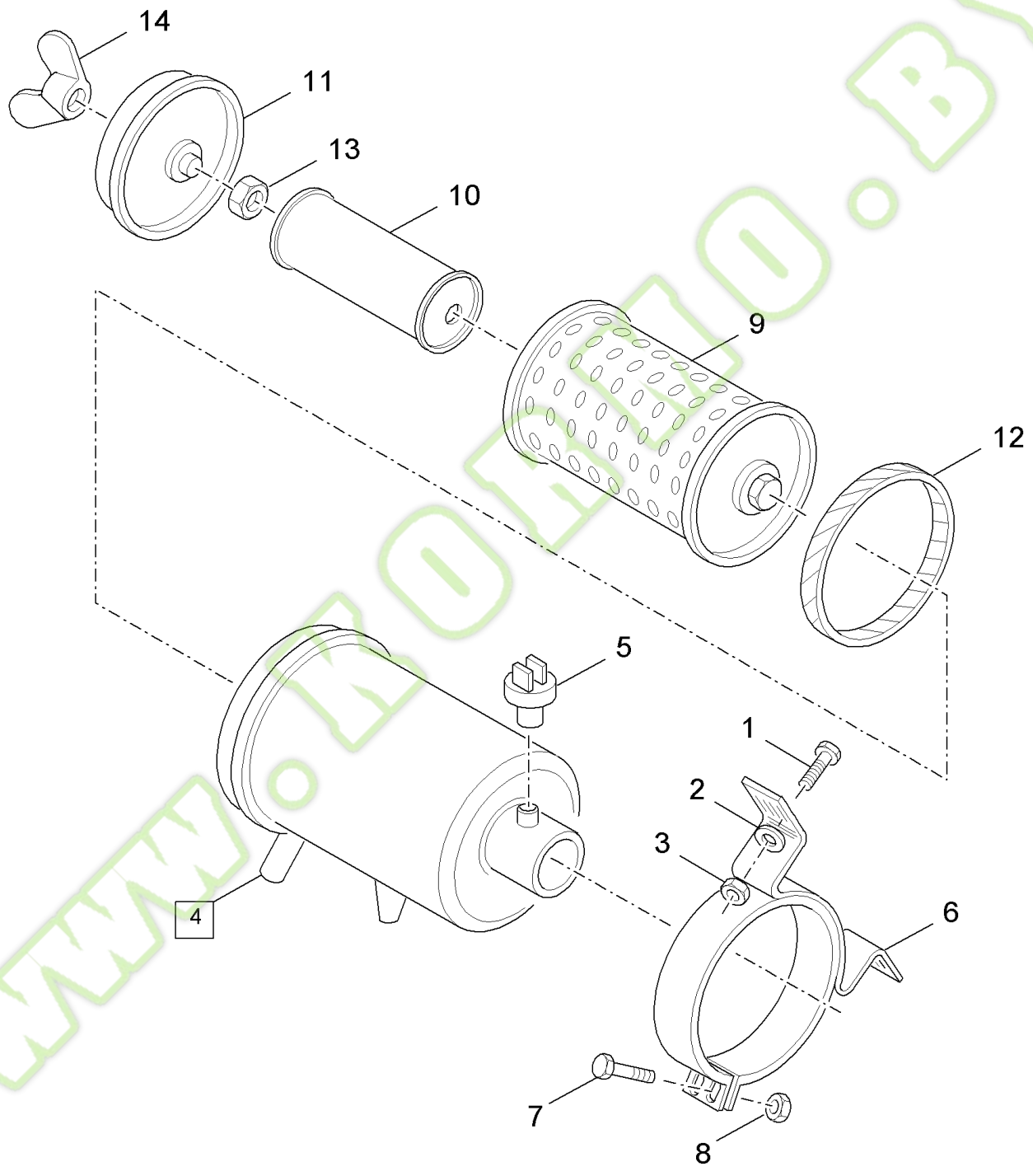
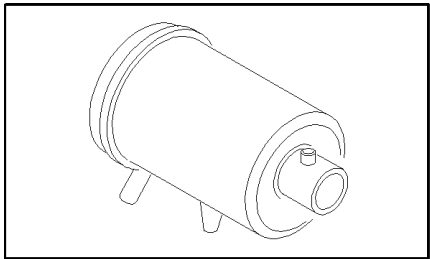
WWW.KORMO.BY



## FX48 SELF-PROPELLED FORAGE HARVESTER (9/98- )

01.008(01) AIR-CLEANER - C217

Ref	Part Number	Qty	Description
1	80449815	2	CLAMP,
2	84073007	1	ELBOW,
3	337049	4	CLAMP, {PP:80337049}
4	84064550	1	TUBE,
5	381145	1	CLAMP, {PP:80381145}
6	84041279	1	ELBOW,
7	84011048	1	HOSE,
8	84042226	1	CLAMP,
9	556701	2	CLAMP, {PP:80556701}
10	84061896	1	TUBE, RIGID,
11	43128	AR	SCREW, {PP:80043128} Hex, M8 x 30, 8.8, Cap, HH, CL 8.8, M8 x 1.25 x 30
12	84015574	2	CLAMP,
13	322358	2	WASHER, LOCK, {PP:80322358} Belleville, M8, 8MM
14	100015	2	NUT, {PP:80100015} M8, CI 8, M8
15	80452422	1	ELBOW,
16	84014016	1	TUBE,
17	84017189	1	ELBOW, , FOR FX28 ONLY
17	84012963	1	ELBOW, , FOR FX38-48 ONLY
18	381144	1	CLAMP, {PP:80381144} , FOR FX28 ONLY
18	337049	1	CLAMP, {PP:80337049} , FOR FX38-48 ONLY
19	84061104	1	ELBOW,
20	84061616	2	CLAMP,
21	84061099	1	FILTER, (22 to 24)
22	84989192	1	FILTER,
23	NSS	1	NOT SERVICED SEPARATELY, Cover
24	NSS	1	NOT SERVICED SEPARATELY, Clamp



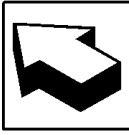
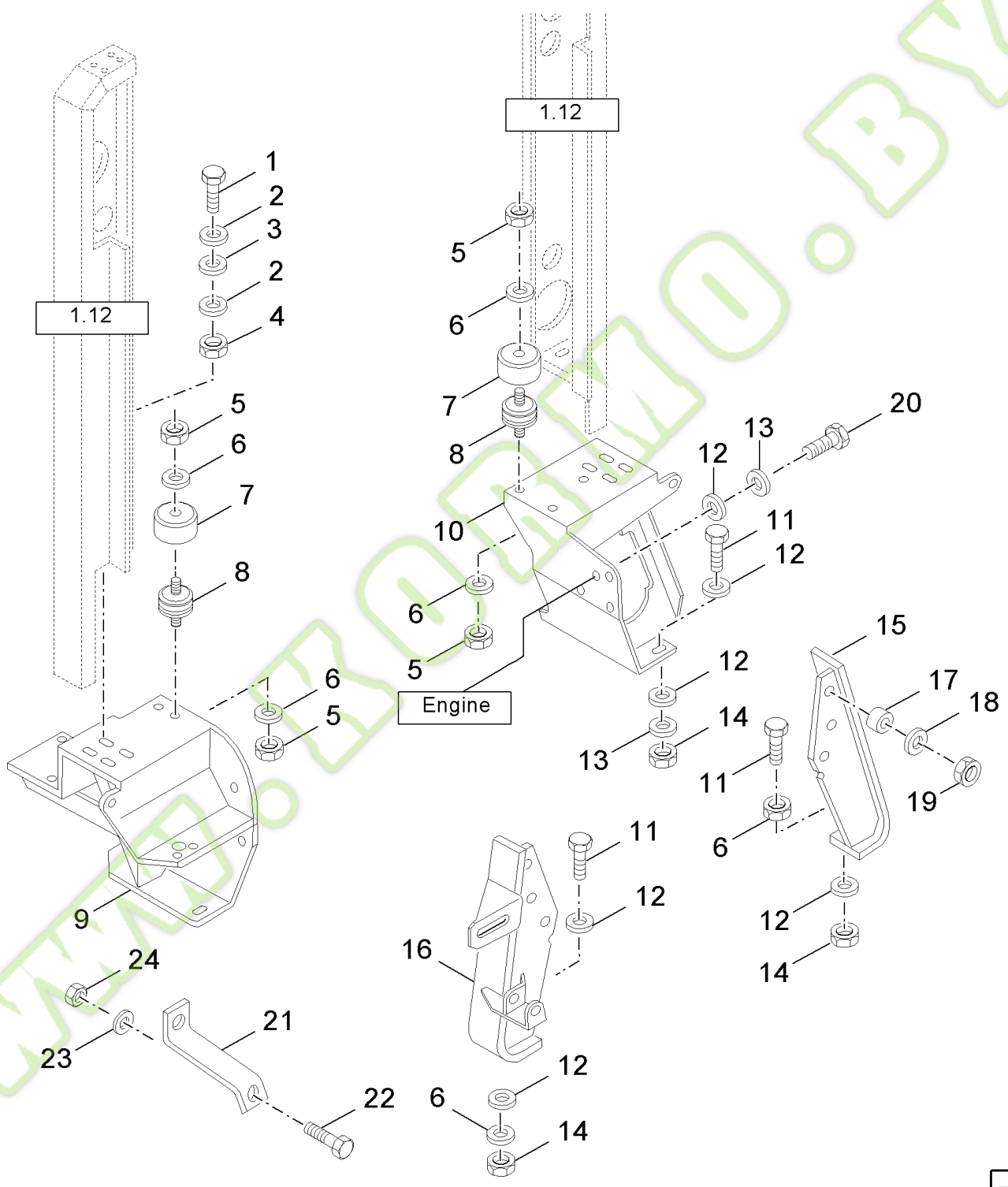
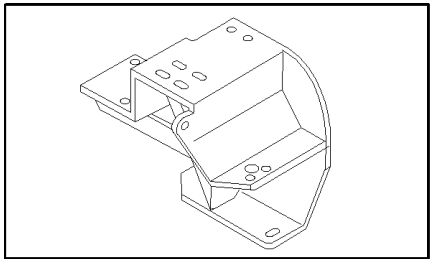


## FX48 SELF-PROPELLED FORAGE HARVESTER (9/98- )

01.009(01) AIR-CLEANER - C217

Ref	Part Number	Qty	Description
1	120041	8	BOLT, {PP:80120041} Short NK, M10 x 20, CI8.8, Full Thd, M10x40
2	140045	8	WASHER, LOCK, {PP:80140045} Belleville, M10, 10MM
3	100016	8	NUT, {PP:80100016} M10, CI 8, M10
4	84057459	1	FILTER, AIR, (9 to 14)
5	84032969	1	SENDER UNIT,
6	84061637	2	SUPPORT,
7	300348	4	SCREW, {PP:80300348} Cross Pan Hd, M8 x 25, M8x25
8	100067	4	NUT, {PP:80100067} M8 x 1.25", CI 8, M8
9	89835747	1	FILTER, ELEMENT,
10	89835746	1	FILTER, ELEMENT,
11	84042343	1	COVER,
12	84032758	1	BUSHING, GUIDE,
13	364164	1	NUT, {PP:80364164} Thin, M16 x 1.5, CI 04, M16x1.5
14	9817591	1	NUT, {PP:89817591}

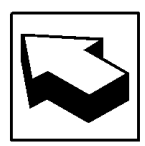
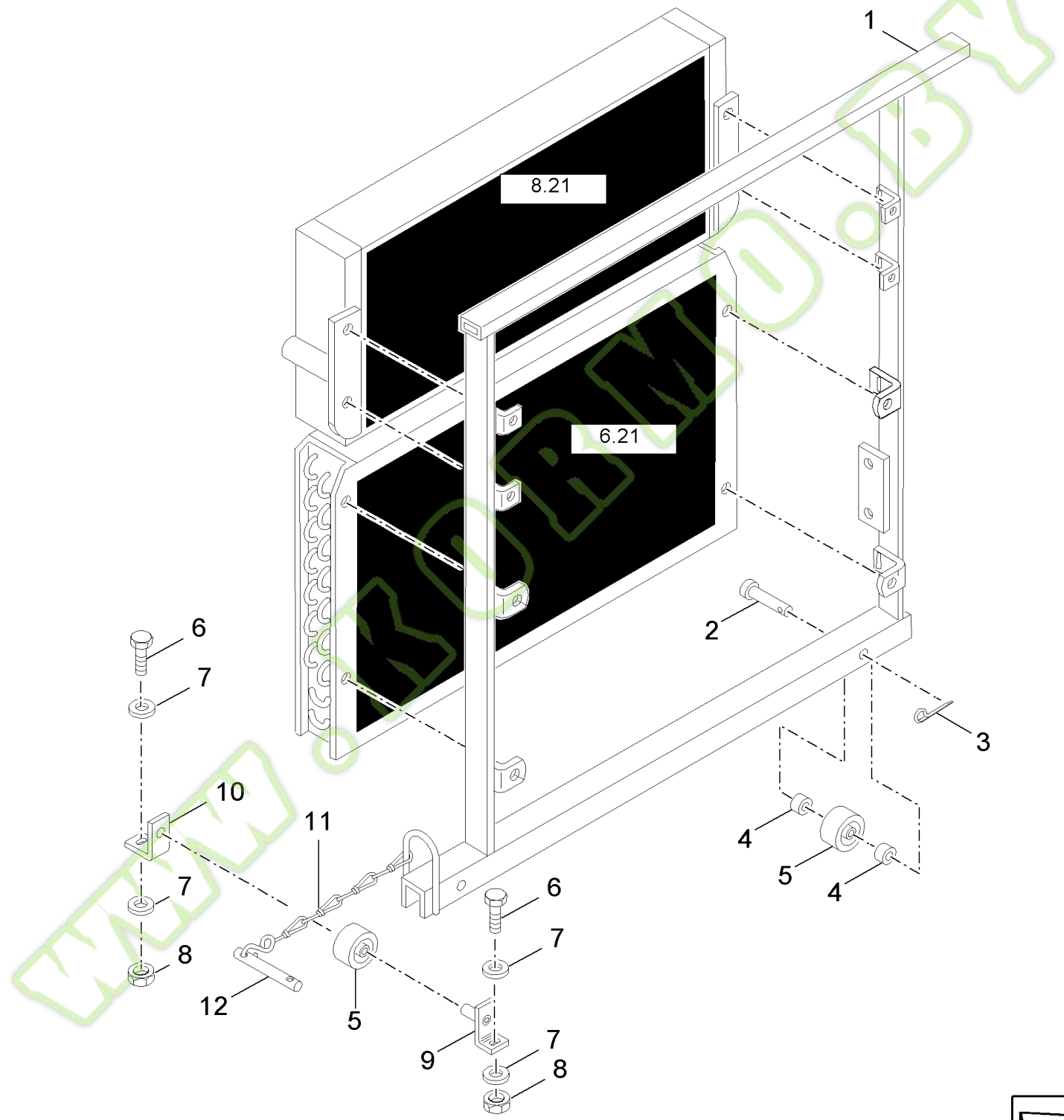
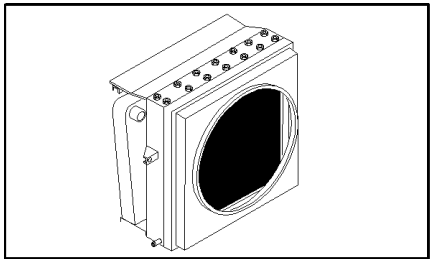
WWW.KORMO.BY



## FX48 SELF-PROPELLED FORAGE HARVESTER (9/98- )

## 01.010(01) ENGINE, SUPPORT - C217

Ref	Part Number	Qty	Description
1	43140	4	BOLT, {PP:80043140} Hex, M10 x 30, 8.8, M10x30
2	140045	4	WASHER, LOCK, {PP:80140045} Belleville, M10, 10MM
3	481489	4	PLATE, ADJUSTING, {PP:80481489}
4	100016	4	NUT, {PP:80100016} M10, CI 8, M10
5	330327	8	NUT, {PP:80330327} M12 x 1.25", CI 8, M12x1.5
6	140046	10	WASHER, LOCK, {PP:80140046} Belleville, M12, 12MM
7	89850749	4	CAP, FLANGE COVER,
8	89850744	4	DAMPER,
9	84045062	1	SUPPORT, LH
10	89835263	1	SUPPORT, RH
11	120090	6	SCREW, {PP:80120090} Hex, M16 x 50, 8.8, Hex, M16 x 50, 8.8
12	394631	17	WASHER, {PP:80394631} 16MM
13	140048	10	WASHER, LOCK, {PP:80140048} Belleville, M16, 16MM
14	100020	6	NUT, {PP:80100020} M16, CI 8, M16, CI 8
15	89835256	1	SUPPORT, RH
16	84014769	1	SUPPORT, LH
17	84015623	6	BUSHING,
18	140047	6	WASHER, LOCK, {PP:80140047}
19	100019	6	NUT, {PP:80100019} M14, CI 8, M14
20	80412212	6	BOLT, M16x1.5x35
21	84053454	1	BRACKET,
22	80120104	1	SCREW, M8x20
23	322358	1	WASHER, LOCK, {PP:80322358} Belleville, M8, 8MM
24	100015	1	NUT, {PP:80100015} M8, CI 8, M8

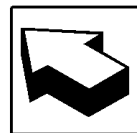
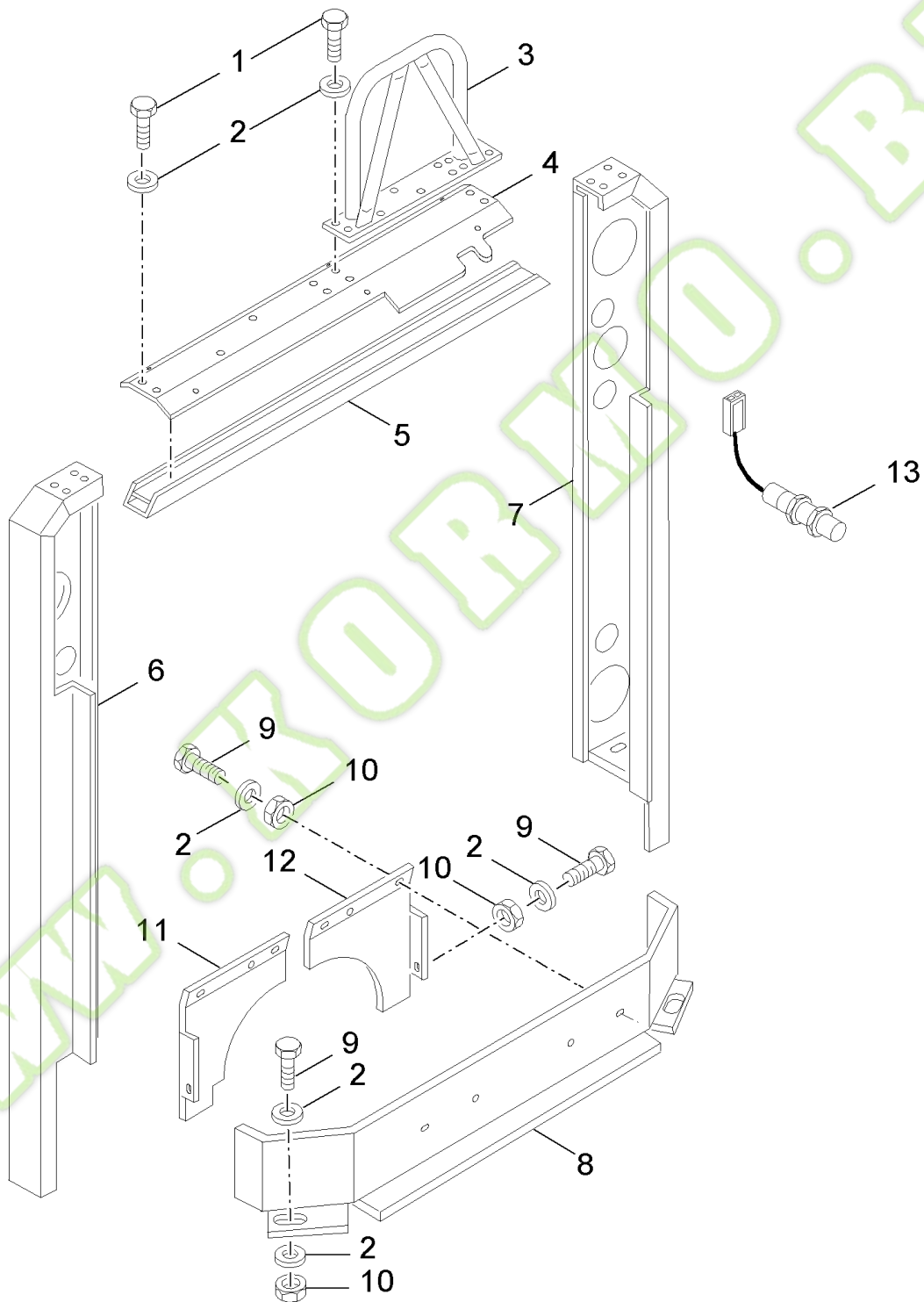
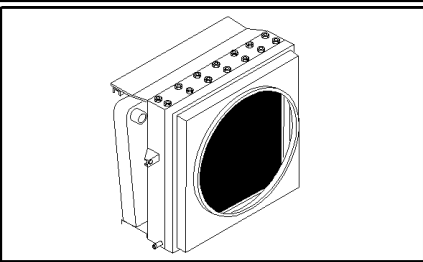


## FX48 SELF-PROPELLED FORAGE HARVESTER (9/98- )

## 01.011(01) ENGINE ACCESSORIES

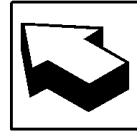
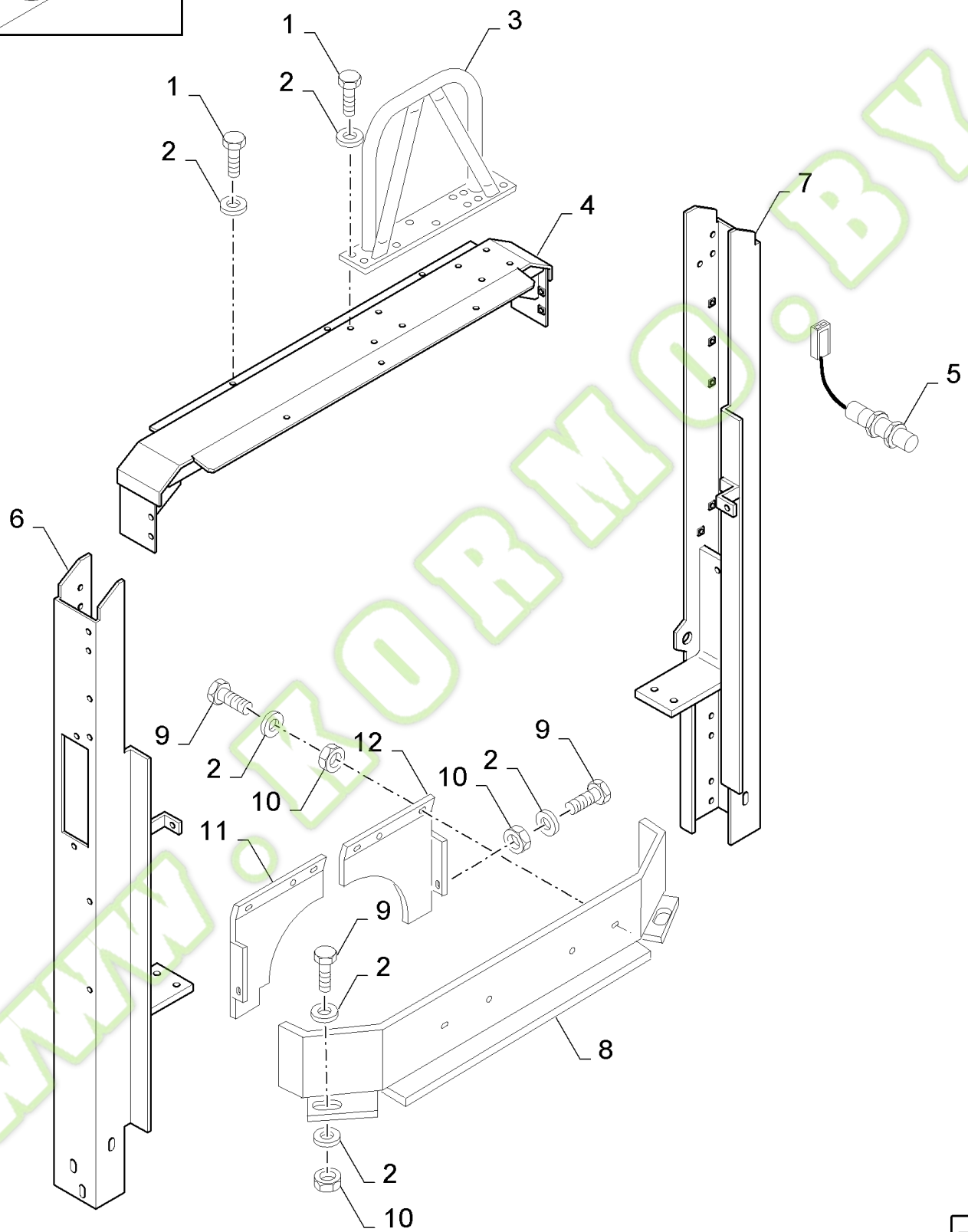
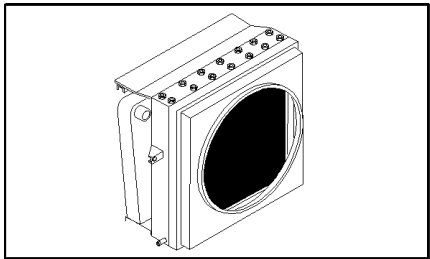
Ref	Part Number	Qty	Description
1	84058554	1	SUPPORT, , BSN C217
1	84439396	1	SUPPORT, , ASN D218
2	84018348	1	PIN, CLEVIS,
3	130004	2	PIN, SPLIT (COTTER), {PP:80130004} M3.2 x 25,
4	84015622	2	BUSHING,
5	84005506	2	ROLLER,
6	80120104	2	SCREW, M8x20
7	322358	4	WASHER, LOCK, {PP:80322358} Belleville, M8, 8MM
8	100015	2	NUT, {PP:80100015} M8, CI 8, M8
9	84015193	1	SUPPORT,
10	84005501	1	BRACKET,
11	370539	1	PIN, SPLIT (COTTER), {PP:80370539}
12	80353024	1	PIN, ROLL,

WWW.KORMO.BY



Ref	Part Number	Qty	Description
1	43127	10	BOLT, {PP:80043127} Hex, M8 x 25, 8.8, M8x25
2	322356	27	WASHER, LOCK, {PP:80322356} 8MM
3	84017594	1	SUPPORT,
3	84038240	1	SUPPORT, , FOR NA ONLY
4	84061415	1	SUPPORT,
5	84052278	1	PROFILE,
6	84064814	1	SUPPORT, LH
7	84052884	1	SUPPORT, RH
8	84052846	1	PROFILE,
9	80120104	7	SCREW, M8x20
10	100015	7	NUT, {PP:80100015} M8, CI 8, M8
11	84014482	1	SHIELD,
12	84014483	1	SHIELD,
13	84056994	1	SENSOR,

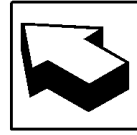
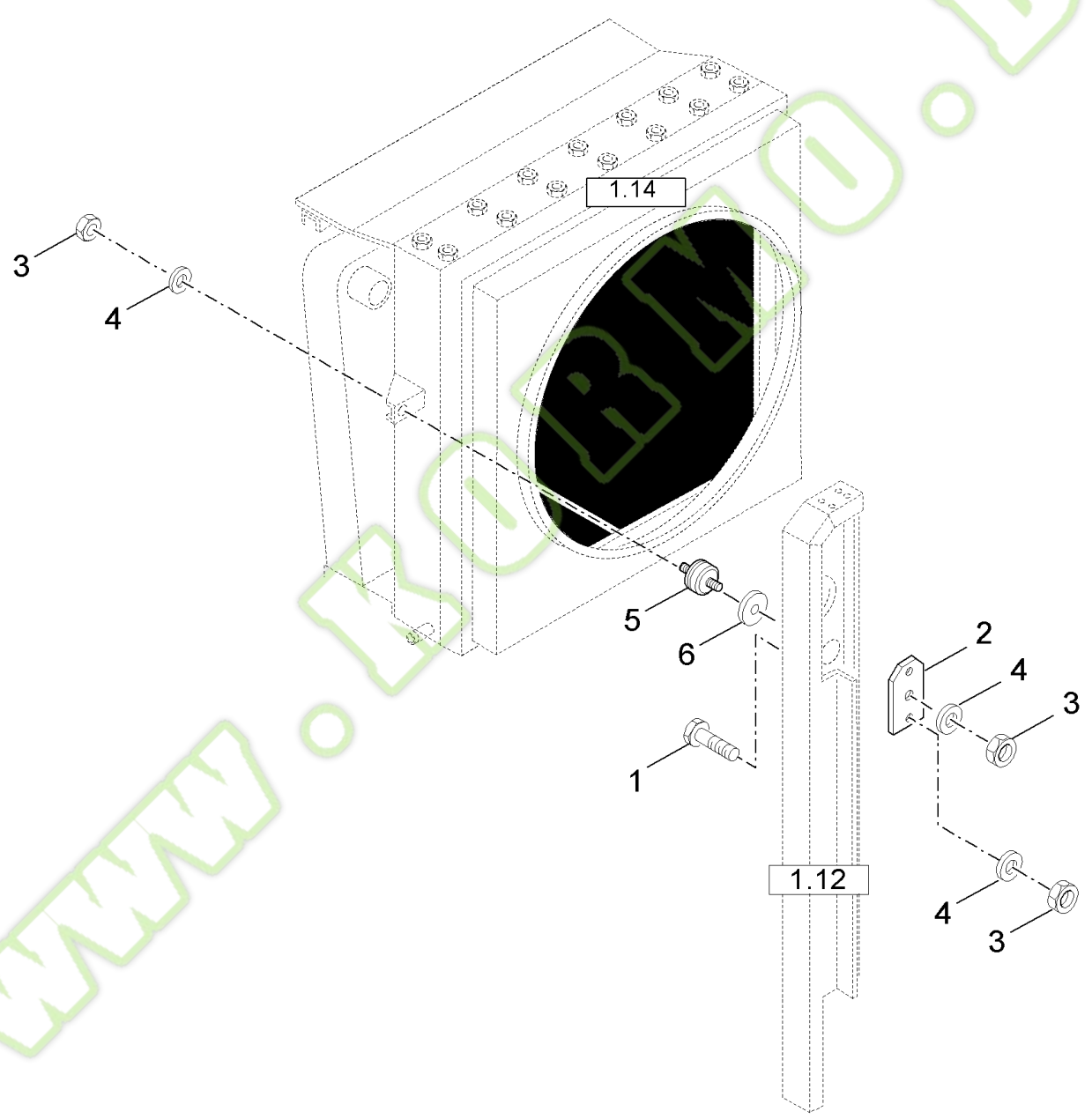
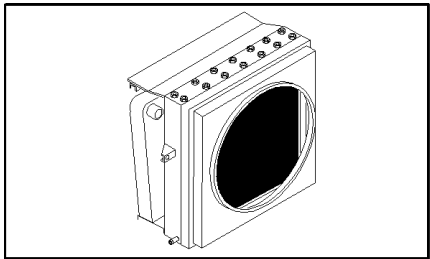
WWW.KORMO.BY





Ref	Part Number	Qty	Description
1	43127	10	BOLT, {PP:80043127} Hex, M8 x 25, 8.8, M8x25
2	322356	27	WASHER, LOCK, {PP:80322356} 8MM
3	84017594	1	SUPPORT,
3	84038240	1	SUPPORT, , FOR NA ONLY
4	84334031	1	CROSSRAIL,
5	84056994	1	SENSOR,
6	84334037	1	SUPPORT, LH
7	84334066	1	SUPPORT, RH
8	84052846	1	PROFILE,
9	80120104	7	SCREW, M8x20
10	100015	7	NUT, {PP:80100015} M8, CI 8, M8
11	84014482	1	SHIELD,
12	84014483	1	SHIELD,

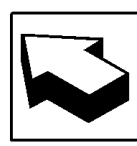
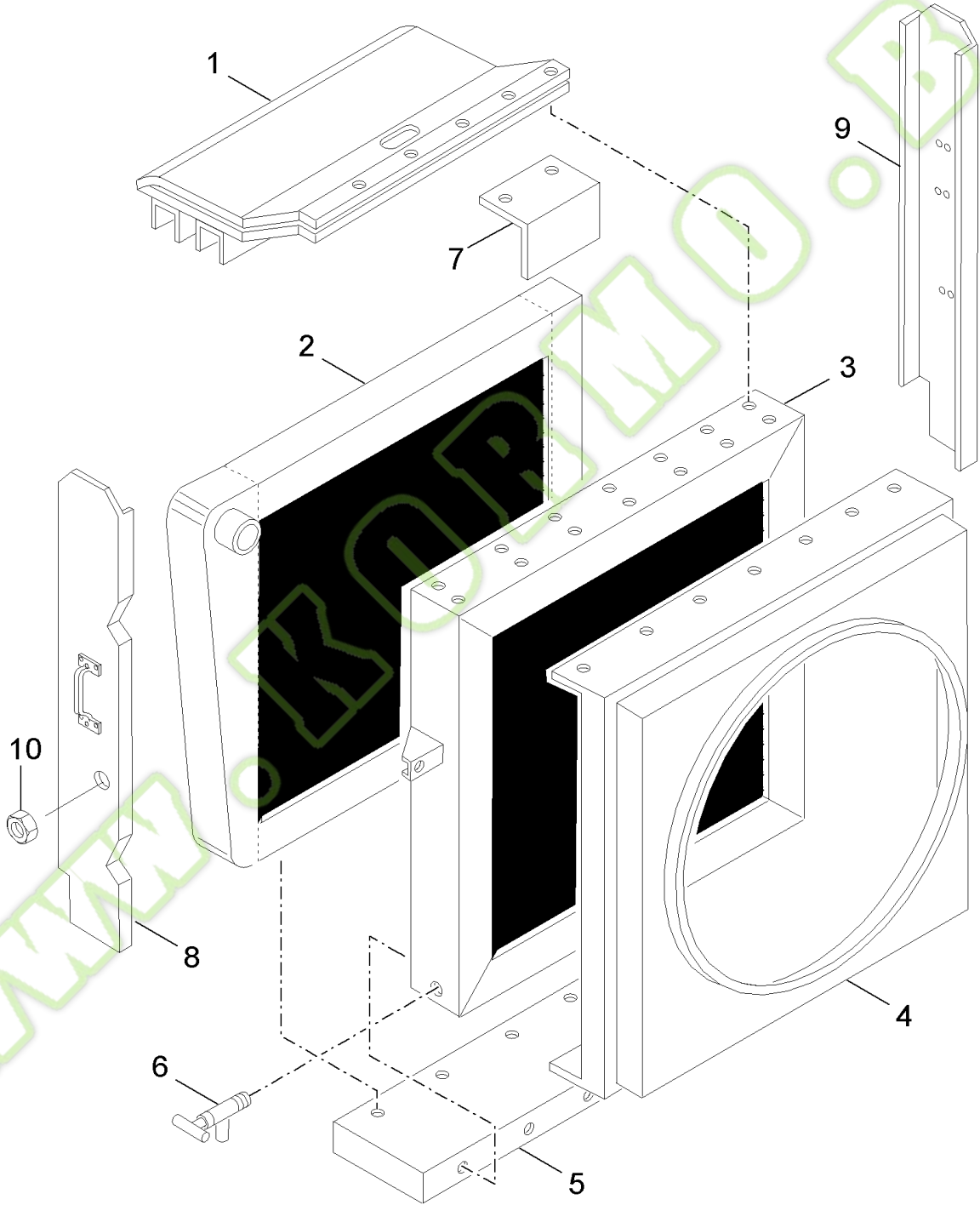
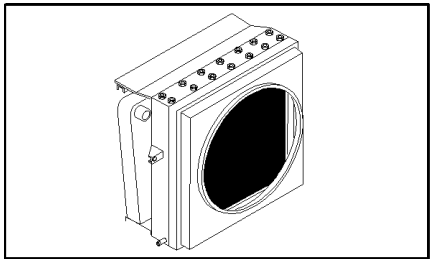
WWW.KORMO.BY



## 01.013(01) RADIATOR AND INTERCOOLER

Ref	Part Number	Qty	Description
1	80120104	2	SCREW, M8x20
2	84057813	2	PLATE,
3	100015	8	NUT, {PP:80100015} M8, CI 8, M8
4	322358	8	WASHER, LOCK, {PP:80322358} Belleville, M8, 8MM
5	9833258	2	SHOCK ABSORBER, {PP:89833258}, BSN C109
5	84057814	2	SHOCK ABSORBER, , ASN D110
6	740318	AR	WASHER, {PP:80740318}

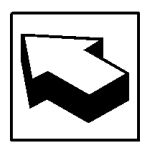
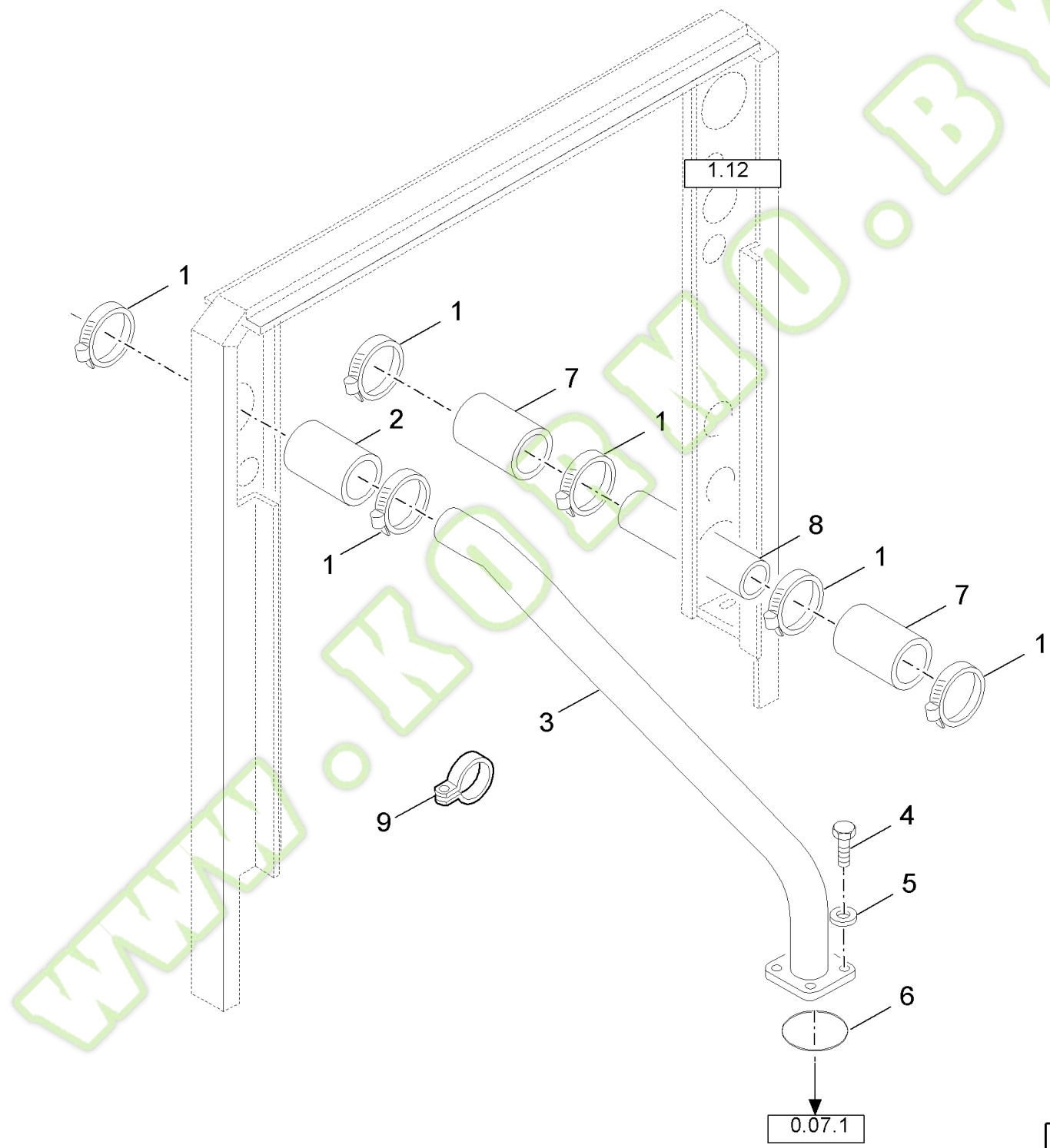
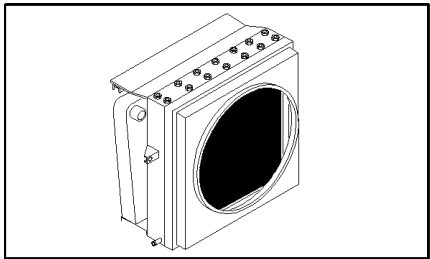
WWW.KORMO.BY



## FX48 SELF-PROPELLED FORAGE HARVESTER (9/98- )

## 01.014(01) RADIATOR AND INTERCOOLER - C217

Ref	Part Number	Qty	Description
1	84032055	1	SUPPORT, , FOR FX28-38 ONLY
1	84032075	1	SUPPORT, , FOR FX48 ONLY
2	84434319	1	INTERCOOLER, , FOR FX28-38 ONLY
2	84434320	1	INTERCOOLER, , FOR FX48 ONLY
3	84056223	1	RADIATOR, , FOR FX28 ONLY
3	84056221	1	RADIATOR, , FOR FX38 ONLY
3	84056219	1	RADIATOR, , FOR FX48 ONLY
4	84056597	1	PANEL, BOXED, , FOR FX28-38 ONLY
4	84056598	1	PANEL, BOXED, , FOR FX48 ONLY
5	84056222	1	SUPPORT, , FOR FX28-38 ONLY
5	84056220	1	SUPPORT, , FOR FX48 ONLY
6	84022316	1	DRAINCOCK/TAP, SUPPLY,
7	84032057	1	COVER,
8	84037275	1	COVER, , FOR FX28-38 ONLY
8	84041927	1	COVER, , FOR FX48 ONLY
9	84037276	1	COVER, , FOR FX28-38 ONLY
9	84041928	1	COVER, , FOR FX48 ONLY
10	89804277	4	NUT,

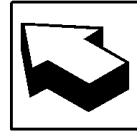
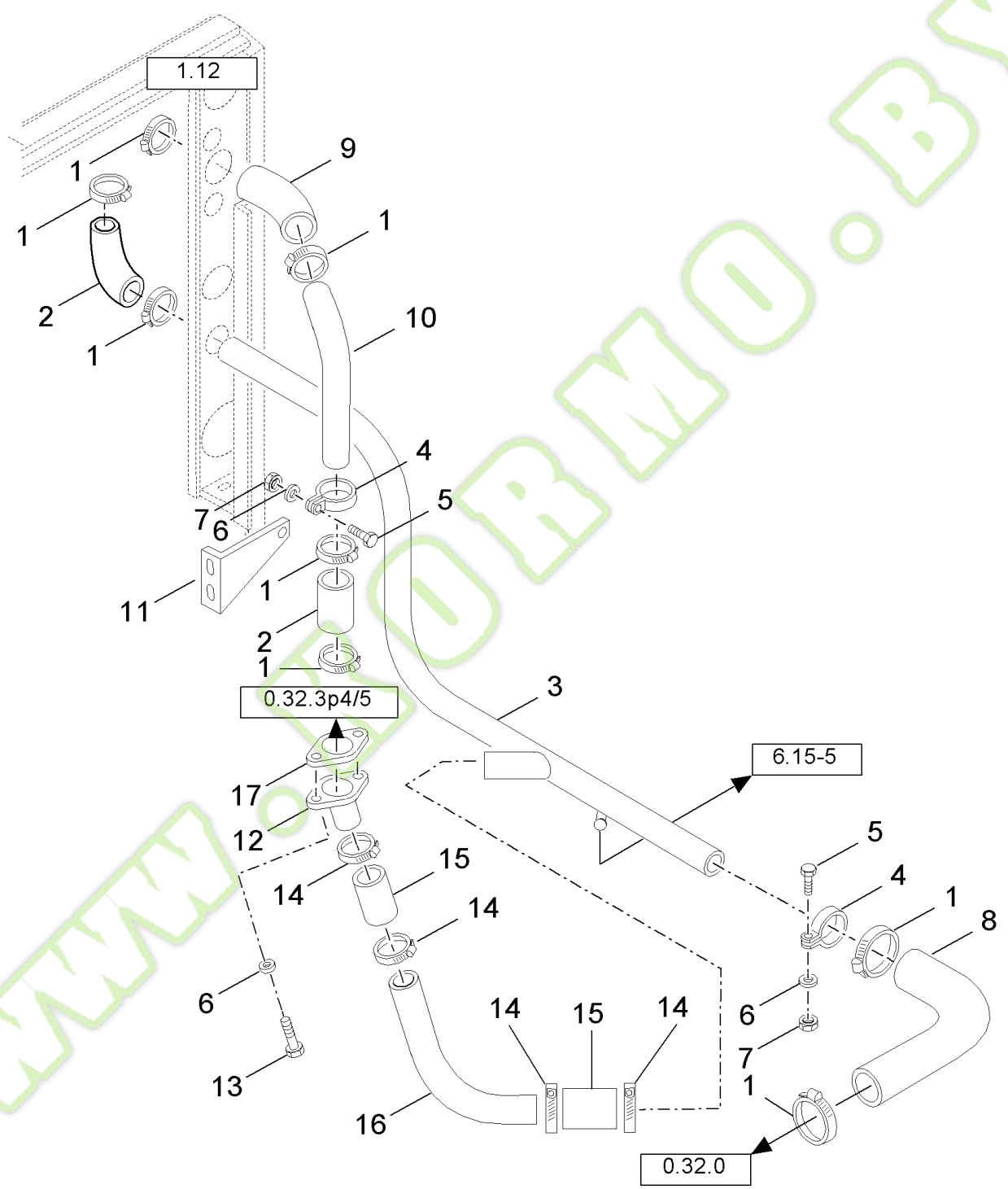
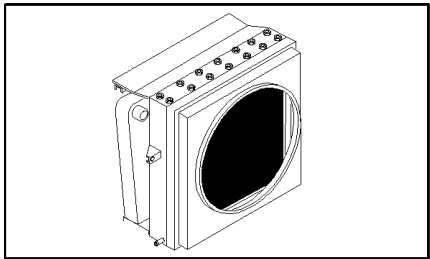


## FX48 SELF-PROPELLED FORAGE HARVESTER (9/98- )

## 01.015(01) RADIATOR AND INTERCOOLER - C217

Ref	Part Number	Qty	Description
1	84021019	6	CLAMP,
2	84022580	1	HOSE, , FOR FX28-38 ONLY
2	84022320	1	HOSE, , FOR FX48 ONLY
3	84015514	1	TUBE,
4	43140	4	BOLT, {PP:80043140} Hex, M10 x 30, 8.8, M10x30
5	140045	4	WASHER, LOCK, {PP:80140045} Belleville, M10, 10MM
6	455025	1	O-RING, {PP:80455025} -244, 70 Duro, 4.234" ID x .139" Thk,
7	84077562	2	ELBOW, , FOR FX28-38 ONLY
7	84022319	2	ELBOW, , FOR FX48 ONLY
8	84018336	1	TUBE, , FOR FX28-38 ONLY
8	84031969	1	TUBE, , FOR FX48 ONLY
9	84038691	1	CLAMP,

WWW.KORMO.BY

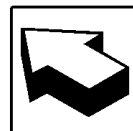
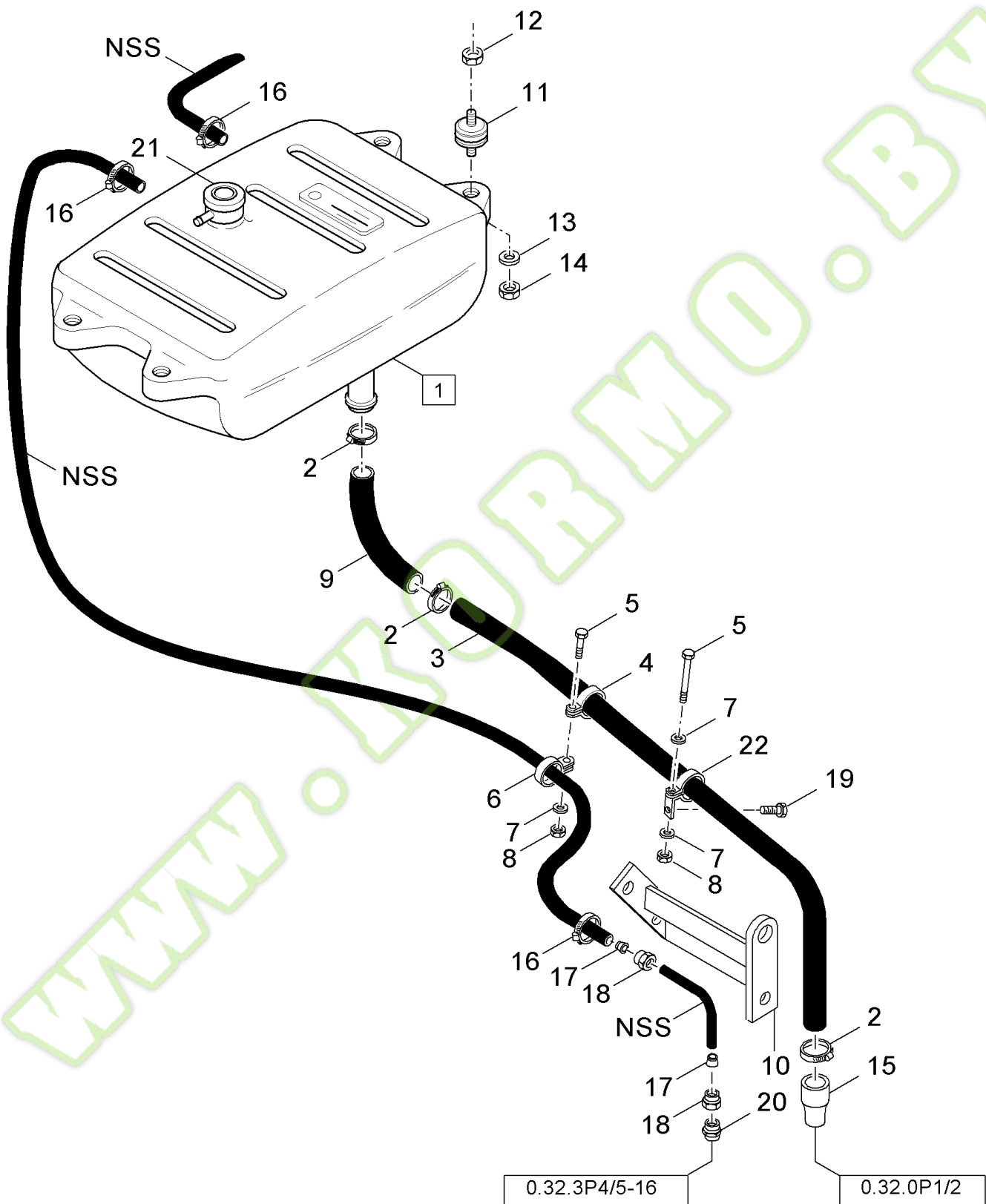
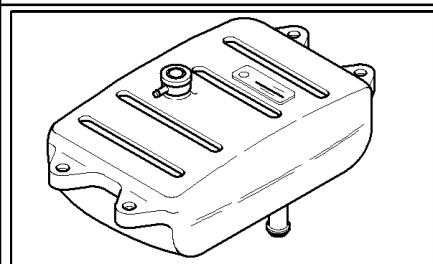




## FX48 SELF-PROPELLED FORAGE HARVESTER (9/98- )

## 01.016(01) RADIATOR AND INTERCOOLER - C217

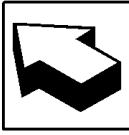
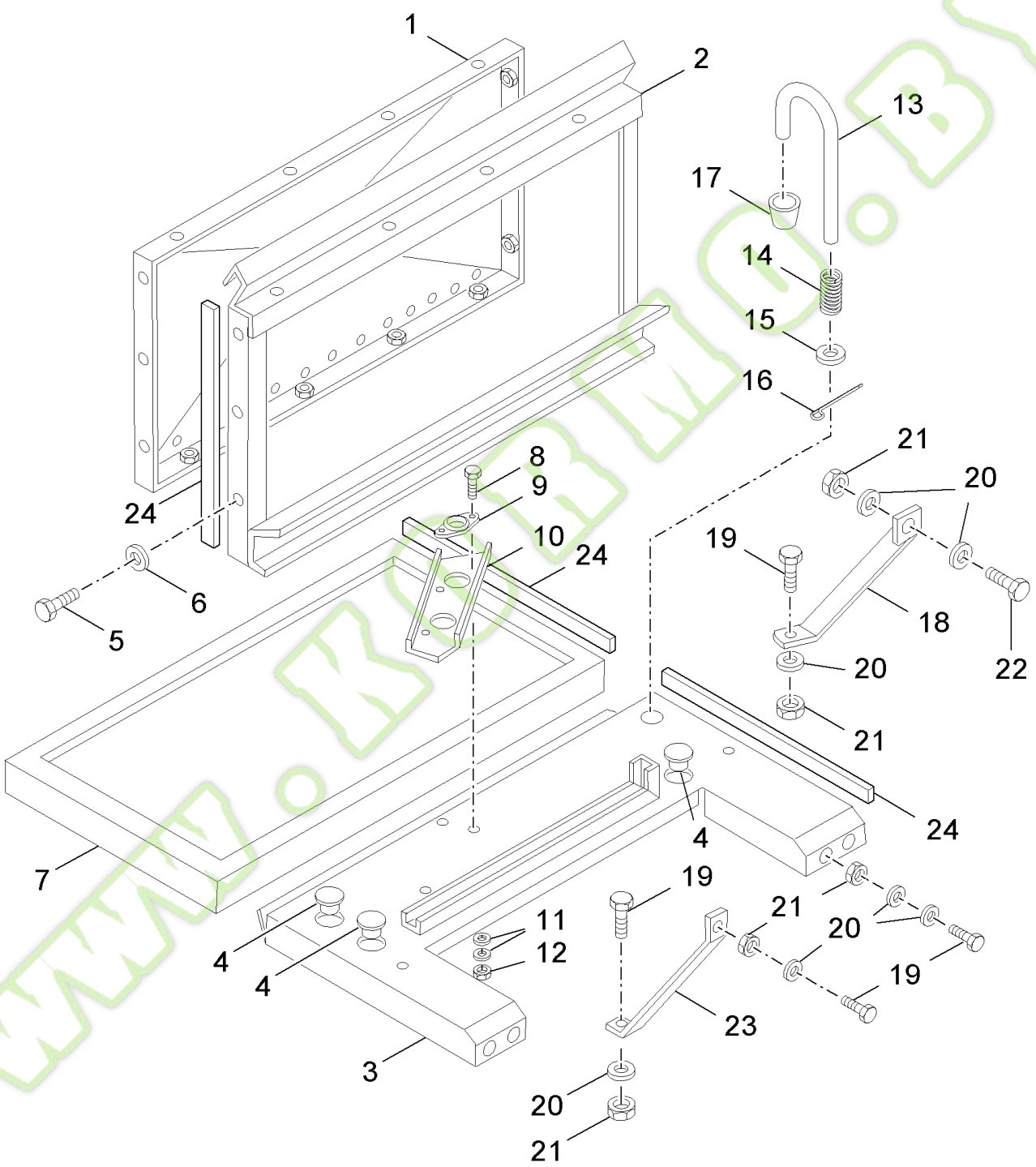
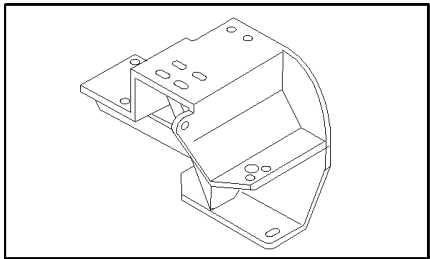
Ref	Part Number	Qty	Description
1	556701	8	CLAMP, {PP:80556701}
2	84035882	2	ELBOW,
3	84052897	1	TUBE,
4	84015625	2	CLAMP,
5	43128	2	SCREW, {PP:80043128} Hex, M8 x 30, 8.8, Cap, HH, CL 8.8, M8 x 1.25 x 30
6	322358	4	WASHER, LOCK, {PP:80322358} Belleville, M8, 8MM
7	100015	2	NUT, {PP:80100015} M8, CI 8, M8
8	84015434	1	ELBOW,
9	84052938	1	ELBOW,
10	84012986	1	TUBE, HYD,
11	84018916	1	SUPPORT,
12	89835002	1	FLANGE,
13	43127	2	BOLT, {PP:80043127} Hex, M8 x 25, 8.8, M8x25
14	360747	4	CLAMP, {PP:80360747}
15	84012953	2	HOSE,
16	84023780	1	TUBE, HYD,
17	98438824	1	GASKET,



## FX48 SELF-PROPELLED FORAGE HARVESTER (9/98- )

01.017(01) SHUNT TANK - C217

Ref	Part Number	Qty	Description
1	84057808	1	TANK, (21)
2	382528	2	CLAMP, {PP:80382528}
3	84032152	1	TUBE, HYD,
4	9706748	1	CLAMP, {PP:89706748}
5	120106	2	SCREW, {PP:80120106} Hex, M8 x 40, 8.8, Full Thd, Hex, M8 x 40, 8.8, Full Thd
6	455556	1	CLAMP, {PP:80455556}
7	322358	2	WASHER, LOCK, {PP:80322358} Belleville, M8, 8MM
8	100015	2	NUT, {PP:80100015} M8, CI 8, M8
9	84032238	1	HOSE,
10	84018212	1	SUPPORT,
11	9833258	4	SHOCK ABSORBER, {PP:89833258} , BSN C109
11	84057814	4	SHOCK ABSORBER, , ASN D110
12	84057816	4	NUT,
13	378243	8	WASHER, {PP:80378243} 8MM
14	100067	4	NUT, {PP:80100067} M8 x 1.25", CI 8, M8
15	84032239	1	HOSE,
16	913888	2	CLAMP, {PP:80913888}
17	335136	2	FERRULE, {PP:80335136}
18	335135	2	NUT, {PP:80335135}
19	80120104	2	SCREW, M8x20
20	89513082	1	CONNECTOR, HYD.,
21	84032108	1	COVER, CAP, (0.7 BAR)
22	84032174	1	CLAMP,

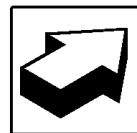
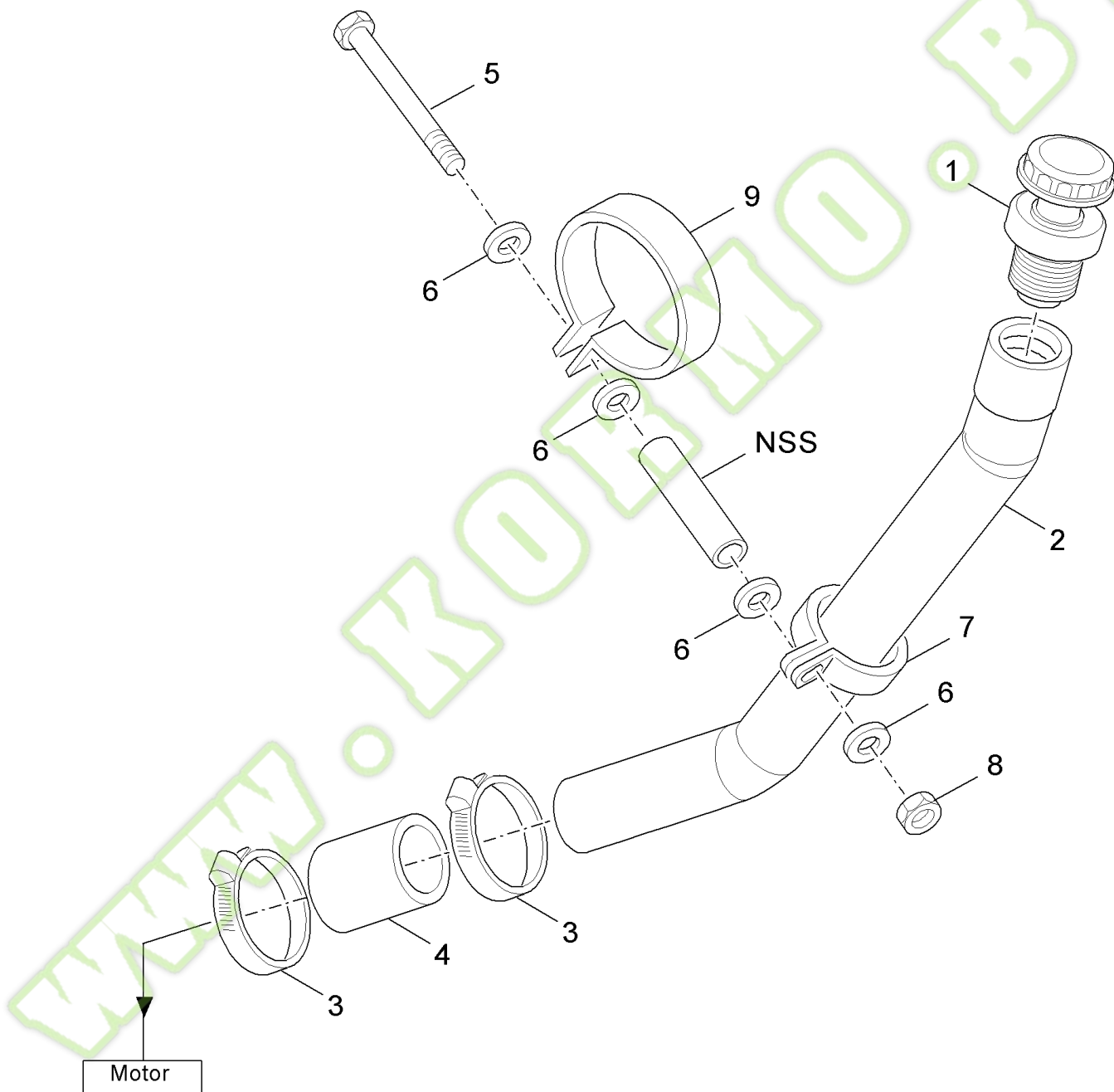
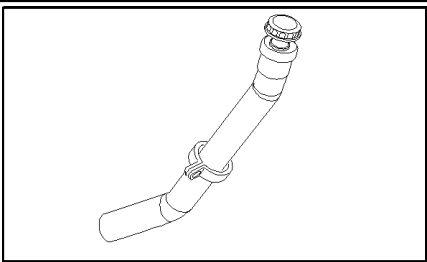


## FX48 SELF-PROPELLED FORAGE HARVESTER (9/98- )

## 01.018(01) ENGINE ACCESSORIES

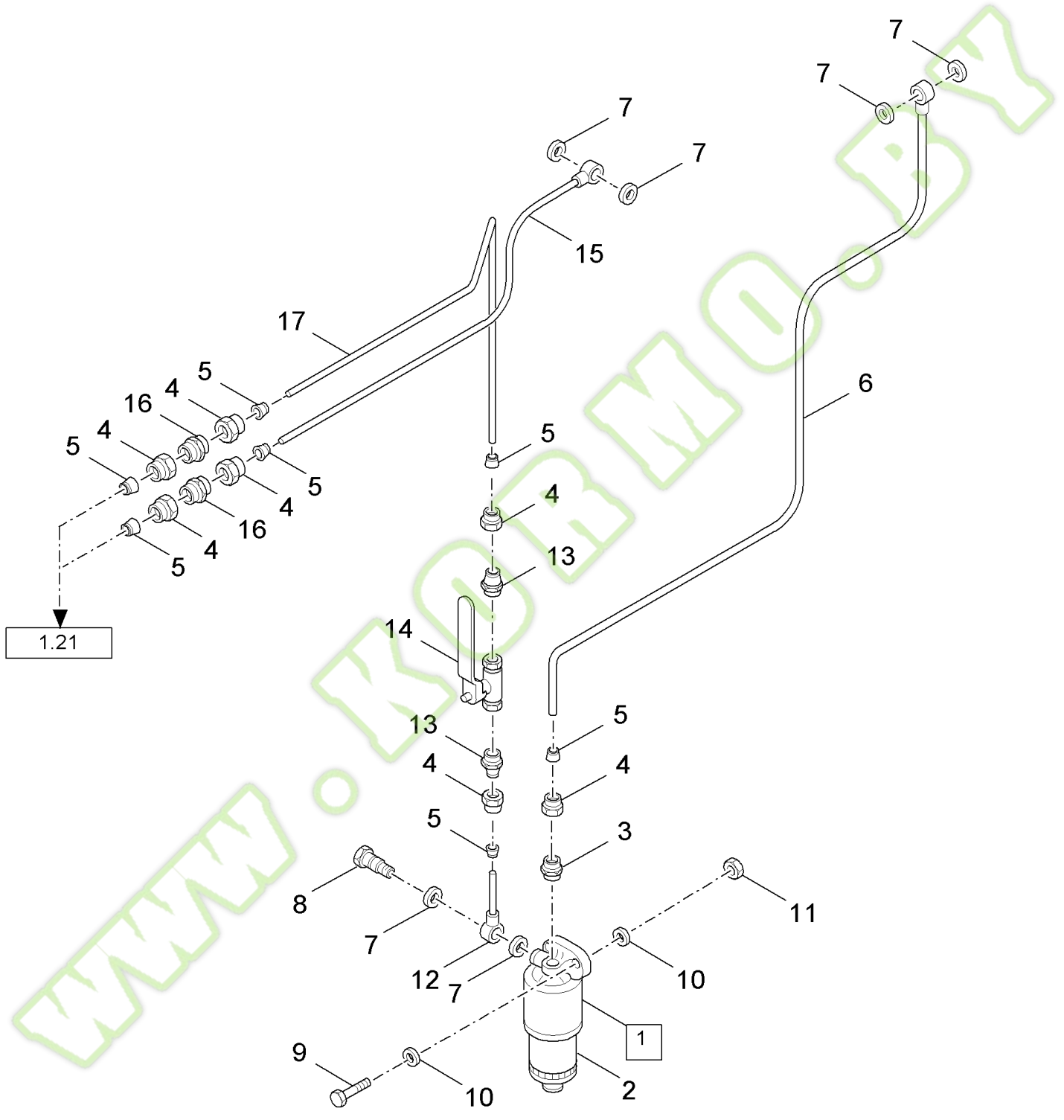
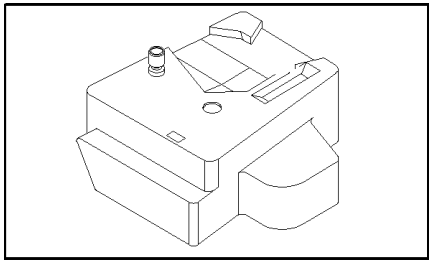
Ref	Part Number	Qty	Description
1	84018384	1	PLATE,
2	84032363	1	FRAME,
3	84026727	1	PLATE, , FOR FX28-38 ONLY
3	84031978	1	PLATE, , FOR FX48 ONLY
4	433314	3	PLUG, {PP:80433314}
5	80378056	14	SCREW, M6x10
6	412649	10	WASHER, LOCK, {PP:80412649} Belleville, M6, Belleville, M6
7	89837109	1	PLATE, , BSN C217
8	86977786	4	BOLT, Hex, M6 x 25, 8.8, M6x25
9	84023779	2	ELEMENT, SEALING,
10	84018144	2	GUIDE,
11	140015	8	WASHER, {PP:80140015} 6MM
12	353308	4	NUT, {PP:80353308} M6 x 1, CI 8, M6
13	80451512	1	HOOK, , BSN C092
13	84072686	1	HOOK, , ASN D093
14	80918027	1	SPRING,
15	378244	1	WASHER, LOCK, {PP:80378244} 10MM
16	130004	1	PIN, SPLIT (COTTER), {PP:80130004} M3.2 x 25,
17	80458654	1	PLUG,
18	84014076	1	BRACKET,
19	80120104	7	SCREW, M8x20
20	322358	21	WASHER, LOCK, {PP:80322358} Belleville, M8, 8MM
21	100015	7	NUT, {PP:80100015} M8, CI 8, M8
22	43128	1	SCREW, {PP:80043128} Hex, M8 x 30, 8.8, Cap, HH, CL 8.8, M8 x 1.25 x 30
23	89814042	1	BRACKET,
24	84056062	AR	SEAL PROTECTION, L=6000MM

01.019(01) OIL FILL TUBE - C217



Ref	Part Number	Qty	Description
1	84015754	1	INDICATOR,
2	84015559	1	TUBE,
3	382528	2	CLAMP, {PP:80382528}
4	84058840	1	HOSE,
5	120064	1	SCREW, {PP:80120064} Hex, M8 x 90, 8.8, M8x90
6	322358	4	WASHER, LOCK, {PP:80322358} Belleville, M8, 8MM
7	84053873	1	CLAMP, D=40MM
8	100015	1	NUT, {PP:80100015} M8, CI 8, M8
9	84015625	1	CLAMP, D=60MM

WWW.KORMO.BY

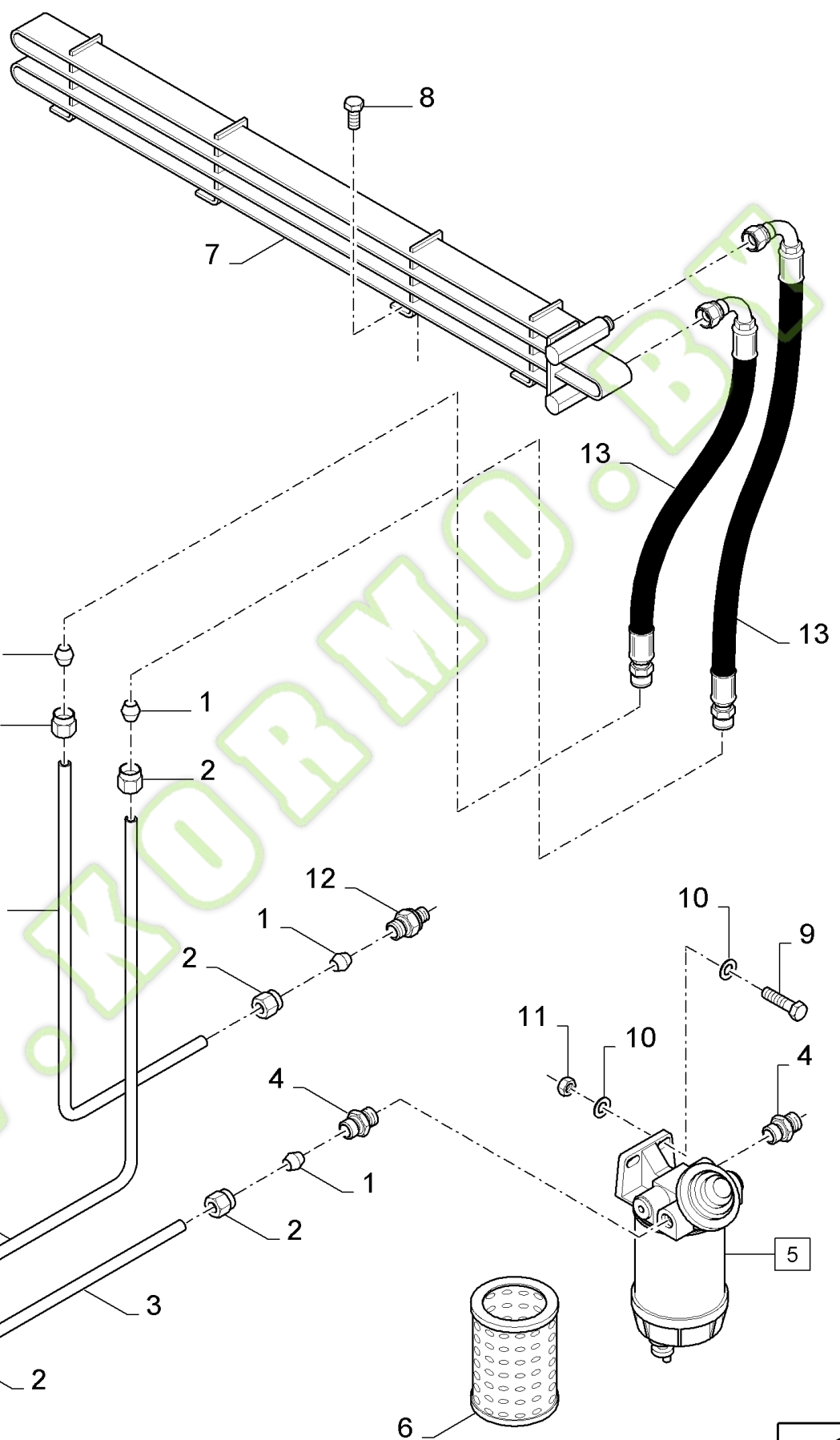
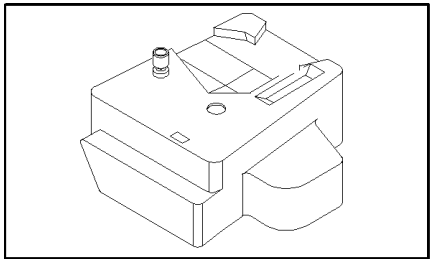




## FX48 SELF-PROPELLED FORAGE HARVESTER (9/98- )

## 01.020(01) FUEL TANK - C217

Ref	Part Number	Qty	Description
1	9512385	1	FILTER, FUEL, {PP:89512385} (2)
2	9512387	1	FILTER, ELEMENT, {PP:89512387}
3	420522	1	CONNECTOR, HYD., {PP:80420522}
4	100042	7	NUT, {PP:80100042}
5	150014	7	FERRULE, {PP:80150014}
6	84015878	1	TUBE, HYD,
7	220049	6	GASKET, {PP:80220049}
8	80354969	1	SCREW, HOLLOW,
9	43128	2	SCREW, {PP:80043128} Hex, M8 x 30, 8.8, Cap, HH, CL 8.8, M8 x 1.25 x 30
10	322358	4	WASHER, LOCK, {PP:80322358} Belleville, M8, 8MM
11	100015	2	NUT, {PP:80100015} M8, Cl 8, M8
12	84015876	1	TUBE, HYD,
13	385812	2	CONNECTOR, HYD., {PP:80385812}
14	84011517	1	DRAINCOCK/TAP, SUPPLY,
15	84015880	1	TUBE, HYD,
16	150017	2	CONNECTOR, HYD., {PP:80150017}
17	371539	AR	TUBE, RIGID, {PP:80371539} D=10MM,L=2M



1.21A

1.21A

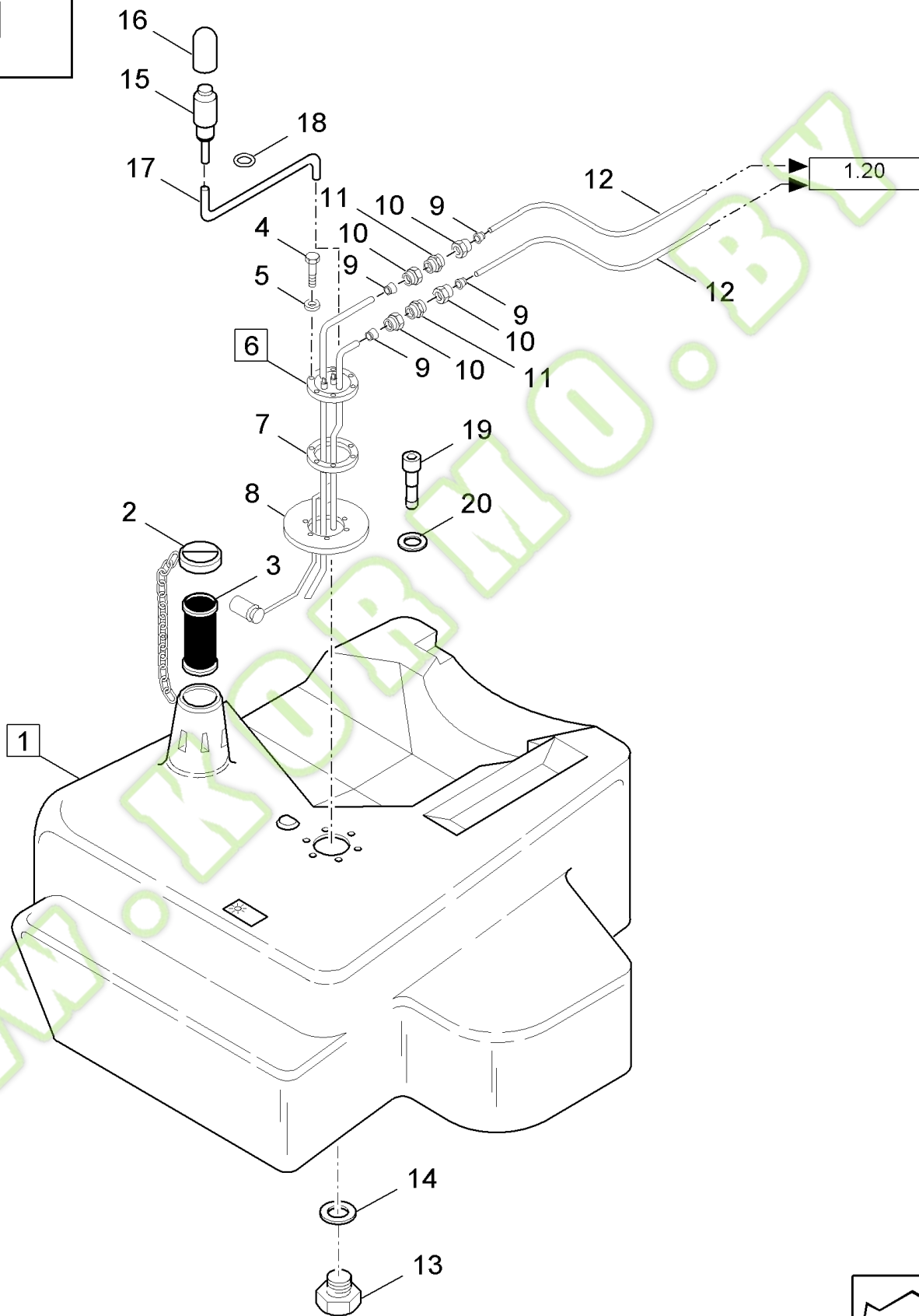
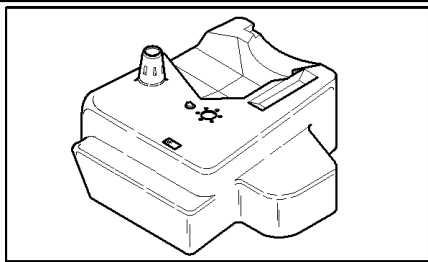


## FX48 SELF-PROPELLED FORAGE HARVESTER (9/98- )

## 01.020A(01) FUEL TANK - D218

Ref	Part Number	Qty	Description
1	150015	AR	FERRULE, {PP:80150015} 12MM
2	86548976	AR	NUT, M12
3	9513719	AR	TUBE, RIGID, {PP:89513719} D=12MMx1.5, L=2M
4	9850317	2	CONNECTOR, HYD., {PP:89850317}
5	84433378	1	FILTER, FUEL, (6)
6	84989840	1	FILTER, ELEMENT,
7	84433981	1	COOLER,
8	86511841	4	SCREW, Hex Flg, M8 x 16, 8.8, M8x16
9	43140	AR	BOLT, {PP:80043140} Hex, M10 x 30, 8.8, M10x30
10	140045	AR	WASHER, LOCK, {PP:80140045} Belleville, M10, 10MM
11	100016	AR	NUT, {PP:80100016} M10, CI 8, M10
12	84431916	1	CONNECTOR, HYD.,
13	84438990	2	HOSE, FLEXIBLE,

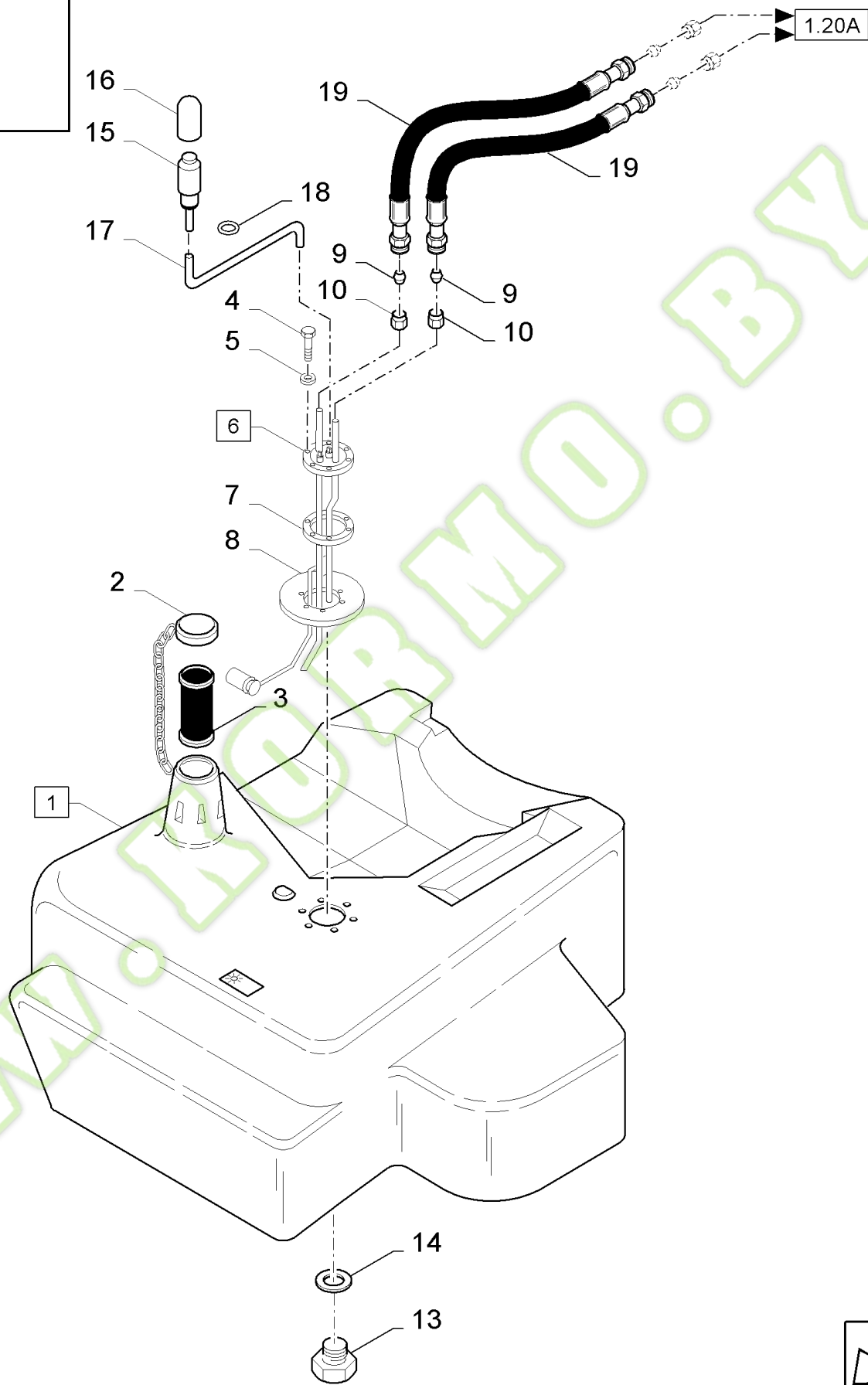
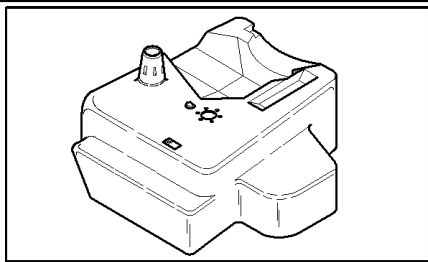
WWW.KORMO.BY



## FX48 SELF-PROPELLED FORAGE HARVESTER (9/98- )

## 01.021(01) FUEL TANK - C217

Ref	Part Number	Qty	Description
1	84057180	1	FUEL TANK, (2,3,13,14)
2	84041999	1	CAP,
3	9501200	1	FILTER, STRAINER, {PP:89501200}
4	120098	6	SCREW, {PP:80120098} Hex, M5 x 20, 8.8, Full Thd, M5x20
5	322356	6	WASHER, LOCK, {PP:80322356} 5MM
6	84058440	1	INDICATOR, (7), BSN C127
6	84075483	1	INDICATOR, , ASN D128
7	9832364	1	GASKET, {PP:89832364}
8	84017485	1	PLATE, COVER,
9	150014	4	FERRULE, {PP:80150014}
10	100042	4	NUT, {PP:80100042}
11	150017	2	CONNECTOR, HYD., {PP:80150017}
12	371539	1	TUBE, RIGID, {PP:80371539} D=10MM,L=2M
13	89831262	1	PLUG,
14	89831263	1	GASKET,
15	84075498	1	VALVE, SAFETY, , ASN D128
16	82012157	1	PLUG, , ASN D128
17	398094	AR	HOSE, {PP:80398094} 2830MM
18	747410	1	GROMMET, {PP:80747410}
19	84075434	1	SCREW, HOLLOW, , BSN C127
20	9832305	1	RING, {PP:89832305} , BSN C127

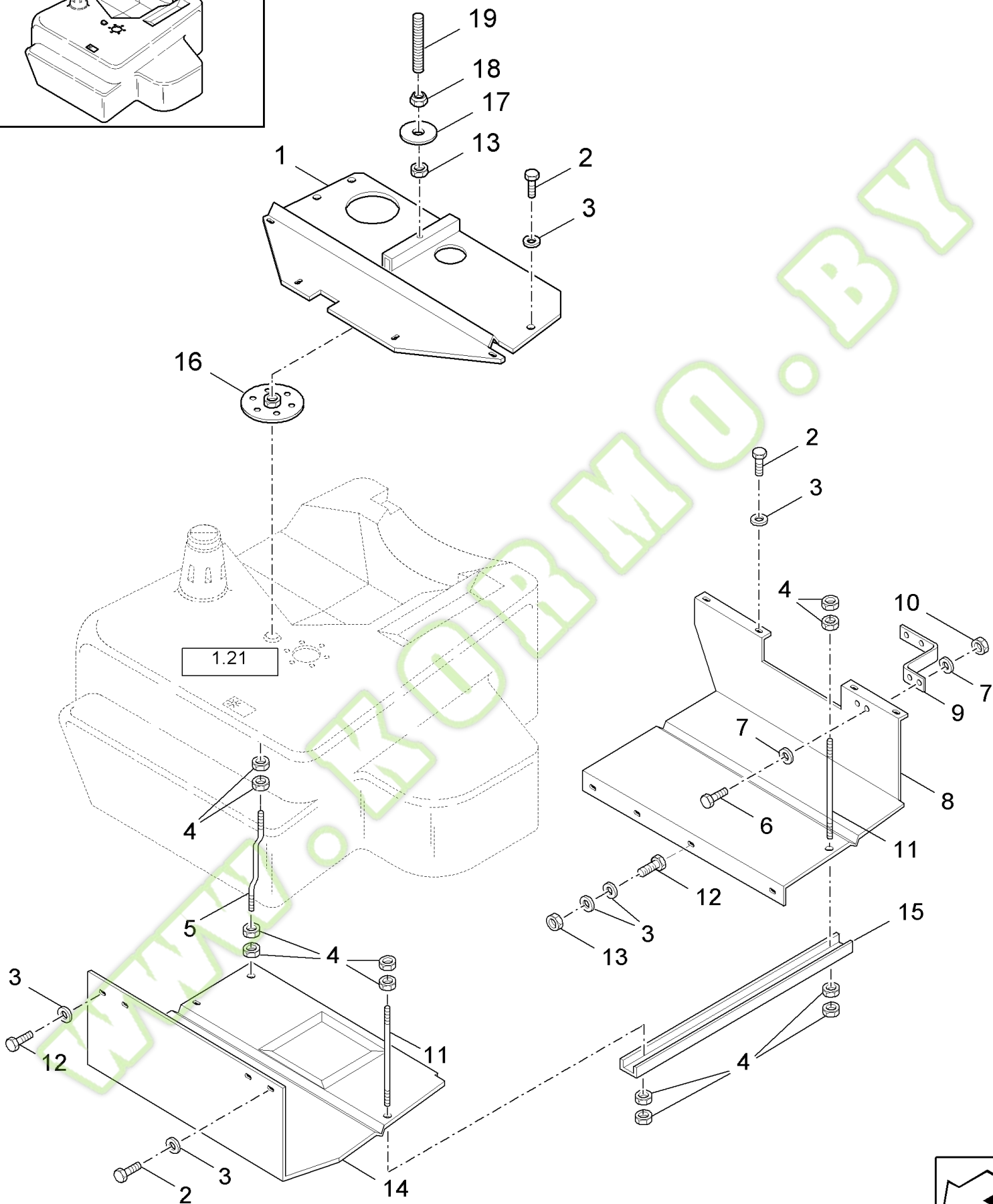
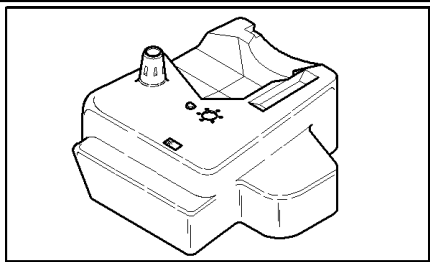


## FX48 SELF-PROPELLED FORAGE HARVESTER (9/98- )

## 01.021A(01) FUEL TANK - D218

Ref	Part Number	Qty	Description
1	84057180	1	FUEL TANK, (2,3,13,14)
2	84041999	1	CAP,
3	9501200	1	FILTER, STRAINER, {PP:89501200}
4	120098	6	SCREW, {PP:80120098} Hex, M5 x 20, 8.8, Full Thd, M5x20
5	322356	6	WASHER, LOCK, {PP:80322356} 5MM
6	84075484	1	INDICATOR, (7)
7	9832364	1	GASKET, {PP:89832364}
8	84017485	1	PLATE, COVER,
9	150015	AR	FERRULE, {PP:80150015} 12MM
10	86548976	AR	NUT, M12
13	89831262	1	PLUG,
14	89831263	1	GASKET,
15	84075498	1	VALVE, SAFETY,
16	82012157	1	PLUG,
17	398094	AR	HOSE, {PP:80398094} 2830MM
18	747410	1	GROMMET, {PP:80747410}
19	84437694	1	HOSE, FLEXIBLE,

01.022(01) FUEL TANK

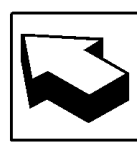
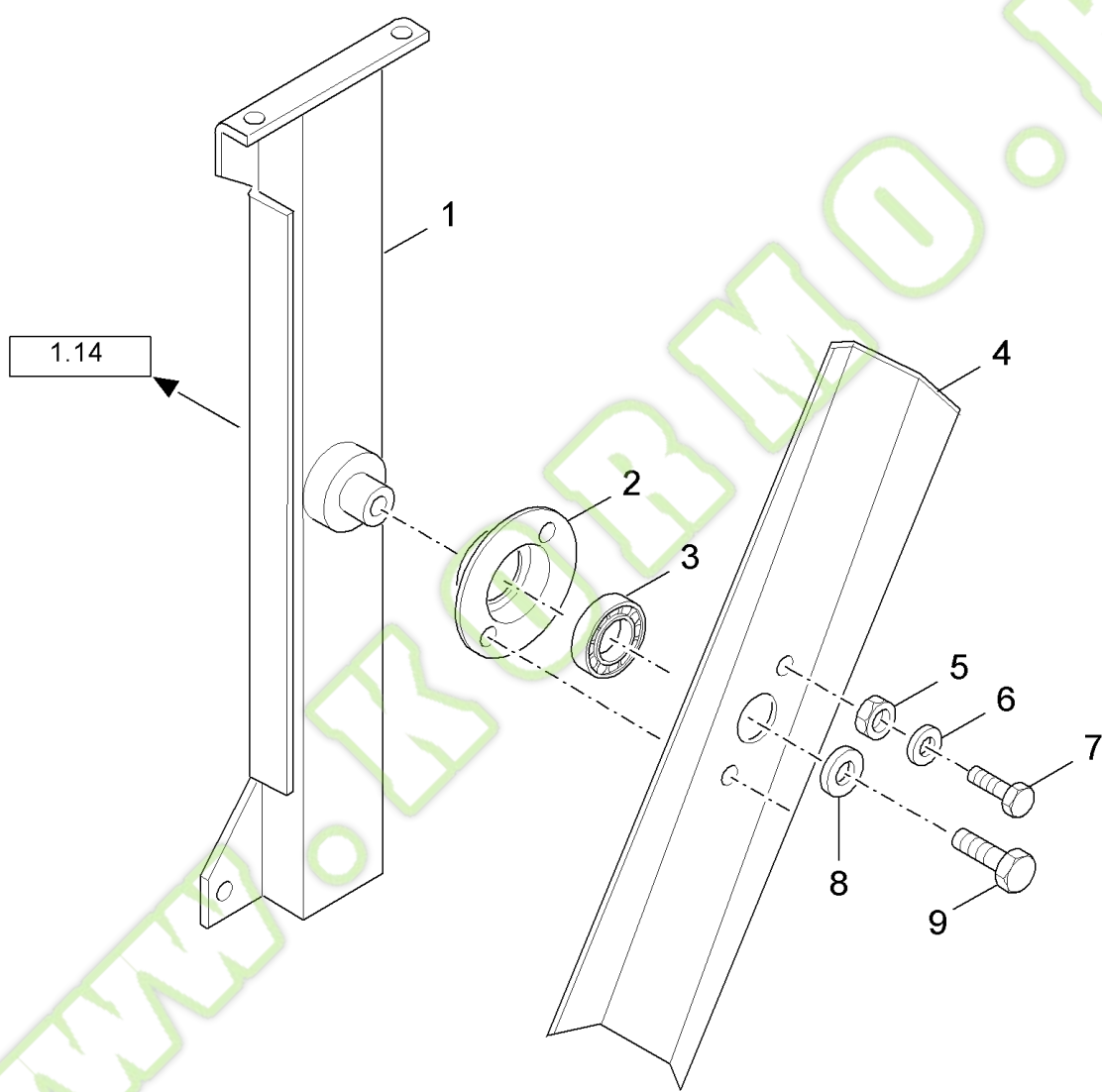
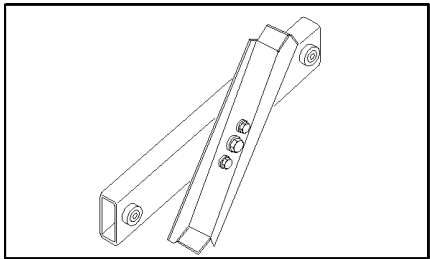




## FX48 SELF-PROPELLED FORAGE HARVESTER (9/98- )

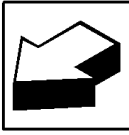
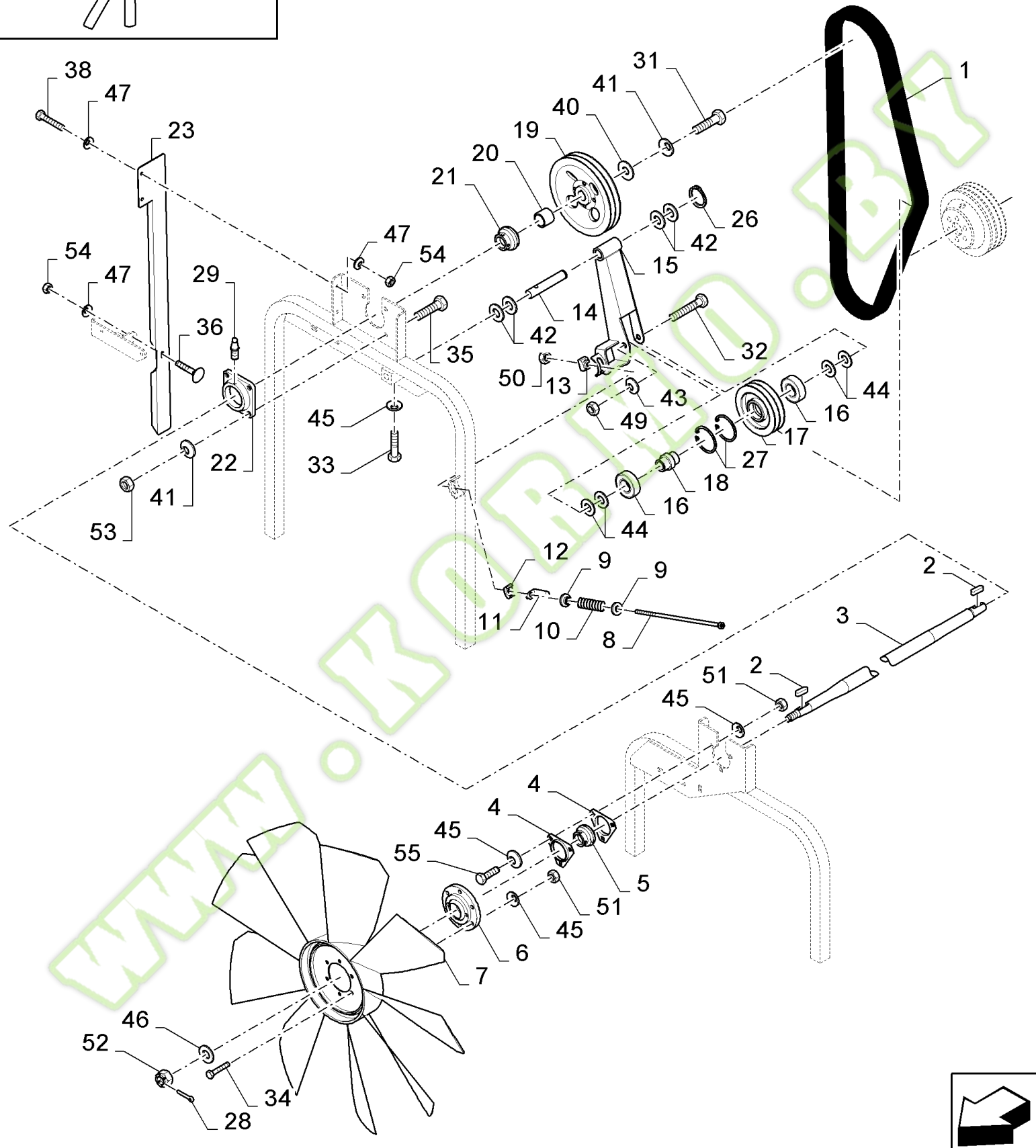
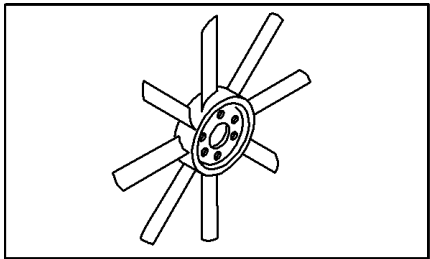
## 01.022(01) FUEL TANK

Ref	Part Number	Qty	Description
1	84035487	1	PLATE, , BSN C217
1	84435511	1	PLATE, , ASN D218
2	43140	10	BOLT, {PP:80043140} Hex, M10 x 30, 8.8, M10x30
3	140045	21	WASHER, LOCK, {PP:80140045} Belleville, M10, 10MM
4	337475	11	NUT, {PP:80337475} M12, CI 10, M10, BSN C185
4	89706685	11	NUT, M12, ASN D186
5	89593261	1	ROD, THREADED, , BSN C185
5	84434170	1	ROD, THREADED, , ASN D186
6	80120104	2	SCREW, M8x20
7	322358	4	WASHER, LOCK, {PP:80322358} Belleville, M8, 8MM
8	89812624	1	PLATE,
9	84022847	1	BRACKET,
10	89706690	2	NUT, CL 8, M8 x 1.25 x 13.0
11	89812626	2	ROD, THREADED,
12	120109	7	SCREW, {PP:80120109} Hex, M10 x 20, 8.8, Full Thd, M10x20
13	100016	AR	NUT, {PP:80100016} M10, CI 8, M6
14	89812630	1	PLATE,
15	89593264	1	PROFILE,
16	84058574	1	DISC,
17	456935	1	WASHER, {PP:80456935}
18	100037	1	NUT, {PP:80100037} M10 x 1.5, CI 8, M10
19	412310	1	STUD, {PP:80412310}



Ref	Part Number	Qty	Description
1	84041980	1	SUPPORT,
2	84017501	1	HOUSING,
3	362804	1	BEARING, BALL, {PP:80362804}
4	84057262	1	BLADE,
5	9706755	2	NUT, {PP:89706755} M6, CI 8, M6
6	322357	2	WASHER, LOCK, {PP:80322357} Belleville, M6, Belleville, M6
7	80120099	2	SCREW, Hex, M6 x 16, 8.8, M6x15
8	140045	1	WASHER, LOCK, {PP:80140045} Belleville, M10,
9	120109	1	SCREW, {PP:80120109} Hex, M10 x 20, 8.8, Full Thd, M10x20

WWW.KORMO.BY



## FX48 SELF-PROPELLED FORAGE HARVESTER (9/98- )

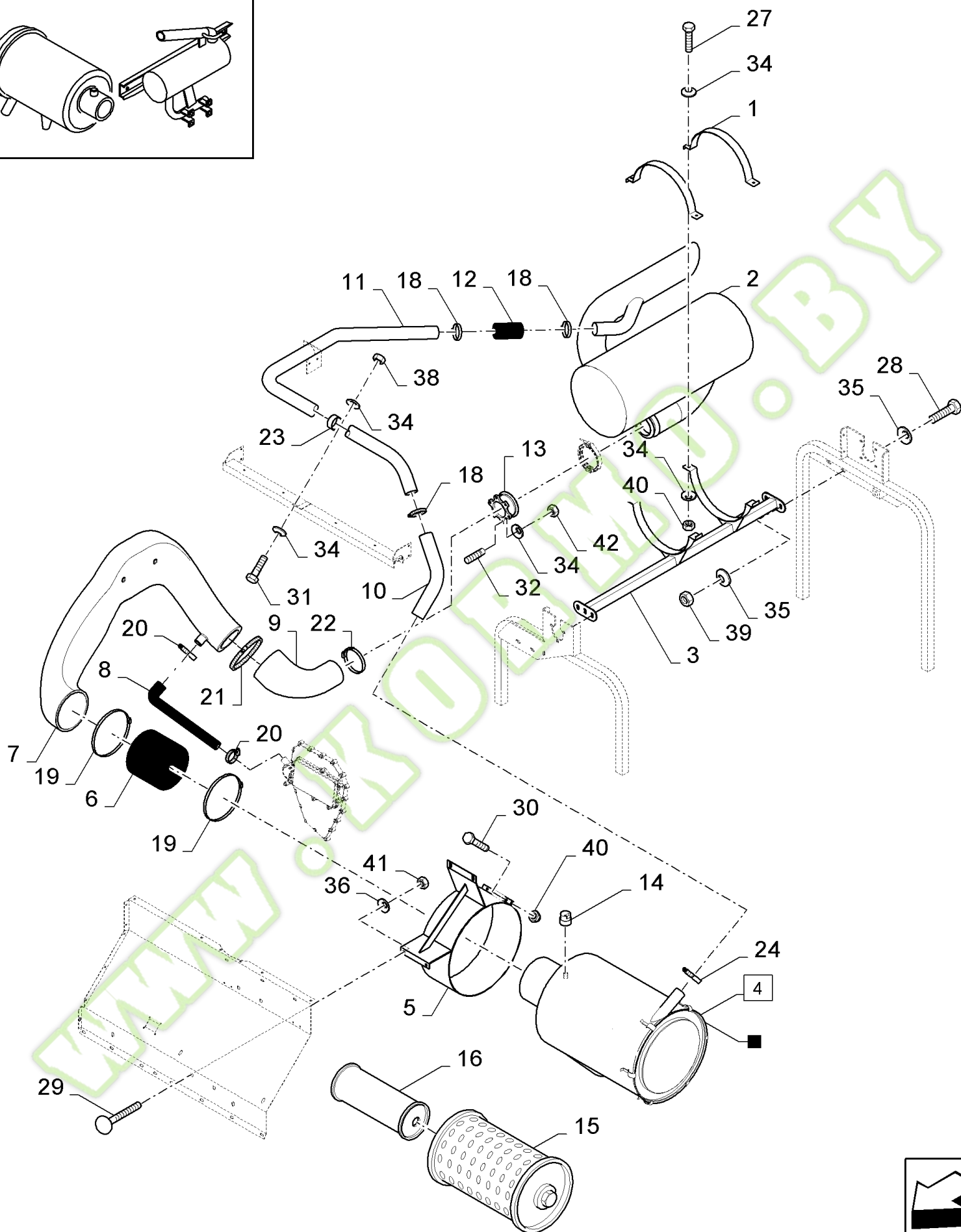
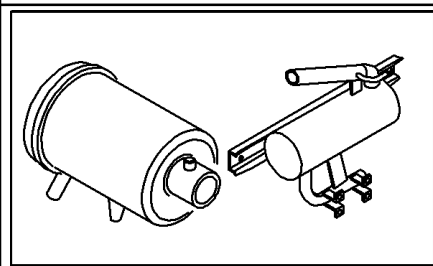
01.051(01) FAN - D218

Ref	Part Number	Qty	Description
1	84073615	1	BELTS, SET OF 2,
2	170008	2	KEY, {PP:80170008}
3	84077497	1	SHAFT, , FOR FX38-48 ONLY
3	84077490	1	SHAFT, , FOR FX28 ONLY
4	86548970	2	FLANGE,
5	84069440	1	BEARING ASSY,
6	84806885	1	FLANGE,
7	84077270	1	FAN,
8	84072445	1	ROD, THREADED, Hex, M10 x 370, 8.8, Full Thd,
9	84076699	2	BUSHING,
10	66317	1	SPRING, {PP:80066317}
11	84439578	1	INDICATOR,
12	442398	1	PAD, ADJUSTING, {PP:80442398}
13	754131	1	PAD, ADJUSTING, {PP:80754131}
14	84077726	1	PIN,
15	84434388	1	ARM,
16	443898	2	BEARING ASSY, {PP:80443898}
17	84437137	1	PULLEY,
18	84017221	1	BUSHING,
19	84075109	1	PULLEY,
20	84075290	1	BUSHING,
21	84069410	1	BEARING ASSY,
22	84437150	1	HOUSING, BEARING,
23	84433245	1	SUPPORT,
26	80370002	1	CIRCLIP,
27	370011	2	CIRCLIP, {PP:80370011}
28	300595	1	PIN, SPLIT (COTTER), {PP:80300595} M4 x 40,
29	9838669	1	NIPPLE, LUBE, {PP:89838669}
31	300389	1	SCREW, {PP:80300389} Hex, M12 x 35, 8.8, Full Thd, M12x35
32	120093	1	SCREW, {PP:80120093} Hex, M16 x 80, 8.8, Hex, M16 x 80, 8.8
33	43140	1	BOLT, {PP:80043140} Hex, M10 x 30, 8.8, M10x30
34	120068	6	SCREW, {PP:80120068} Hex, M10 x 40, 8.8, Full Thd, M10x40
35	86629541	4	BOLT, Hex, M12 x 40, 8.8, Full Thd, M12x40
36	120037	1	BOLT, {PP:80120037} Short NK, M8 x 20, Cl8.8, Full Thd, M8x20
38	43128	2	SCREW, {PP:80043128} Hex, M8 x 30, 8.8, Cap, HH, CL 8.8, M8 x 1.25 x 30
40	140085	1	WASHER, {PP:80140085}
41	140046	5	WASHER, LOCK, {PP:80140046} Belleville, M12, 12MM
42	140103	4	WASHER, {PP:80140103}
43	140048	1	WASHER, LOCK, {PP:80140048} Belleville, M16, 16MM
44	378246	4	WASHER, {PP:80378246} 16MM
45	140045	10	WASHER, LOCK, {PP:80140045} Belleville, M10, 10MM
46	9506874	1	WASHER, {PP:89506874}
47	322358	5	WASHER, LOCK, {PP:80322358} Belleville, M8, 8MM
49	100020	1	NUT, {PP:80100020} M16, Cl 8, M16, Cl 8
50	86514720	1	NUT, LOCK, M10

01.051(01) FAN - D218

Ref	Part Number	Qty	Description
51	100016	9	NUT, {PP:80100016} M10, Cl 8, M10
52	412144	1	SLOTTED NUT, {PP:80412144} M20 x 1.5, Cl 8, M20
53	89706685	4	NUT, M12
54	89706690	3	NUT, CL 8, M8 x 1.25 x 13.0
55	86512446	3	BOLT, Short NK, M10 x 30, Cl8.8, Full Thd, M10x30

WWW.KORMO.BY

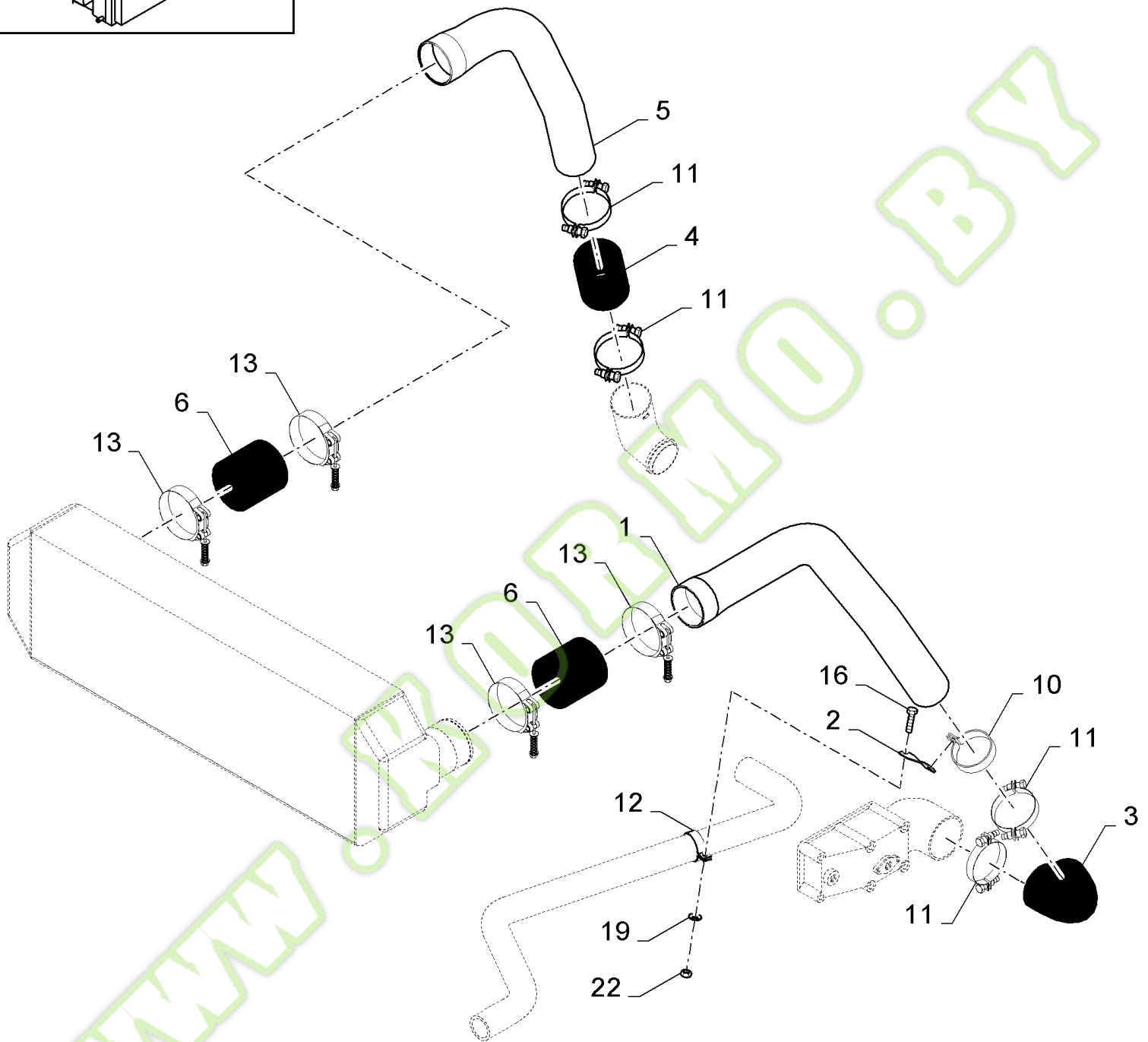
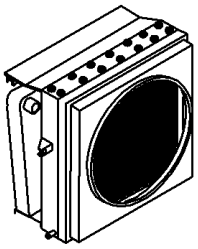


## FX48 SELF-PROPELLED FORAGE HARVESTER (9/98- )

## 01.052(01) AIR FILTER - MUFFLER - D218

Ref	Part Number	Qty	Description
1	84431019	2	BRACKET,
2	84989700	1	MUFFLER,
3	84431026	1	SUPPORT, , FOR FX38-48 ONLY
3	84433514	1	SUPPORT, , FOR FX28 ONLY
4	84072290	1	FILTER, AIR, (15,16)
5	84439219	1	SUPPORT,
6	84076677	1	HOSE,
7	84076361	1	TUBE,
8	84433579	1	HOSE,
9	84334710	1	ELBOW, , FOR FX38-48 ONLY
9	84989488	1	ELBOW, , FOR FX28 ONLY
10	84437676	1	ELBOW,
11	84077470	1	TUBE,
12	84011850	1	HOSE,
13	84433342	1	FLANGE, , FOR FX28 ONLY
14	84043184	1	SENDER UNIT,
15	84432503	1	FILTER, ELEMENT,
16	84432504	1	FILTER, ELEMENT,
18	556701	3	CLAMP, {PP:80556701}
19	80449815	2	CLAMP,
20	382528	2	CLAMP, {PP:80382528}
21	84012068	1	CLAMP,
22	89706924	1	CLAMP,
23	84042226	1	CLAMP,
24	360747	1	CLAMP, {PP:80360747}
27	43129	4	SCREW, {PP:80043129} Hex, M8 x 40, 8.8, Hex, M8 x 40, 8.8
28	86629541	4	BOLT, Hex, M12 x 40, 8.8, Full Thd, M12x40
29	120041	4	BOLT, {PP:80120041} Short NK, M10 x 20, CI8.8, Full Thd, M10x20
30	86585704	2	SCREW, Cross Pan Hd, M8 x 25, M8x25
31	120106	1	SCREW, {PP:80120106} Hex, M8 x 40, 8.8, Full Thd, Hex, M8 x 40, 8.8, Full Thd
32	84031344	6	STUD, , FOR FX28 ONLY
34	322358	16	WASHER, LOCK, {PP:80322358} Belleville, M8, 8MM
35	140046	8	WASHER, LOCK, {PP:80140046} Belleville, M12, 12MM
36	140045	4	WASHER, LOCK, {PP:80140045} Belleville, M10, 10MM
38	89706690	1	NUT, CL 8, M8 x 1.25 x 13.0
39	89706685	4	NUT, M12
40	86629542	6	NUT, M8 x 1.25", CI 8, M8
41	100016	4	NUT, {PP:80100016} M10, CI 8, M10
42	84041352	6	NUT, M8 x 1.25, CI8.8,

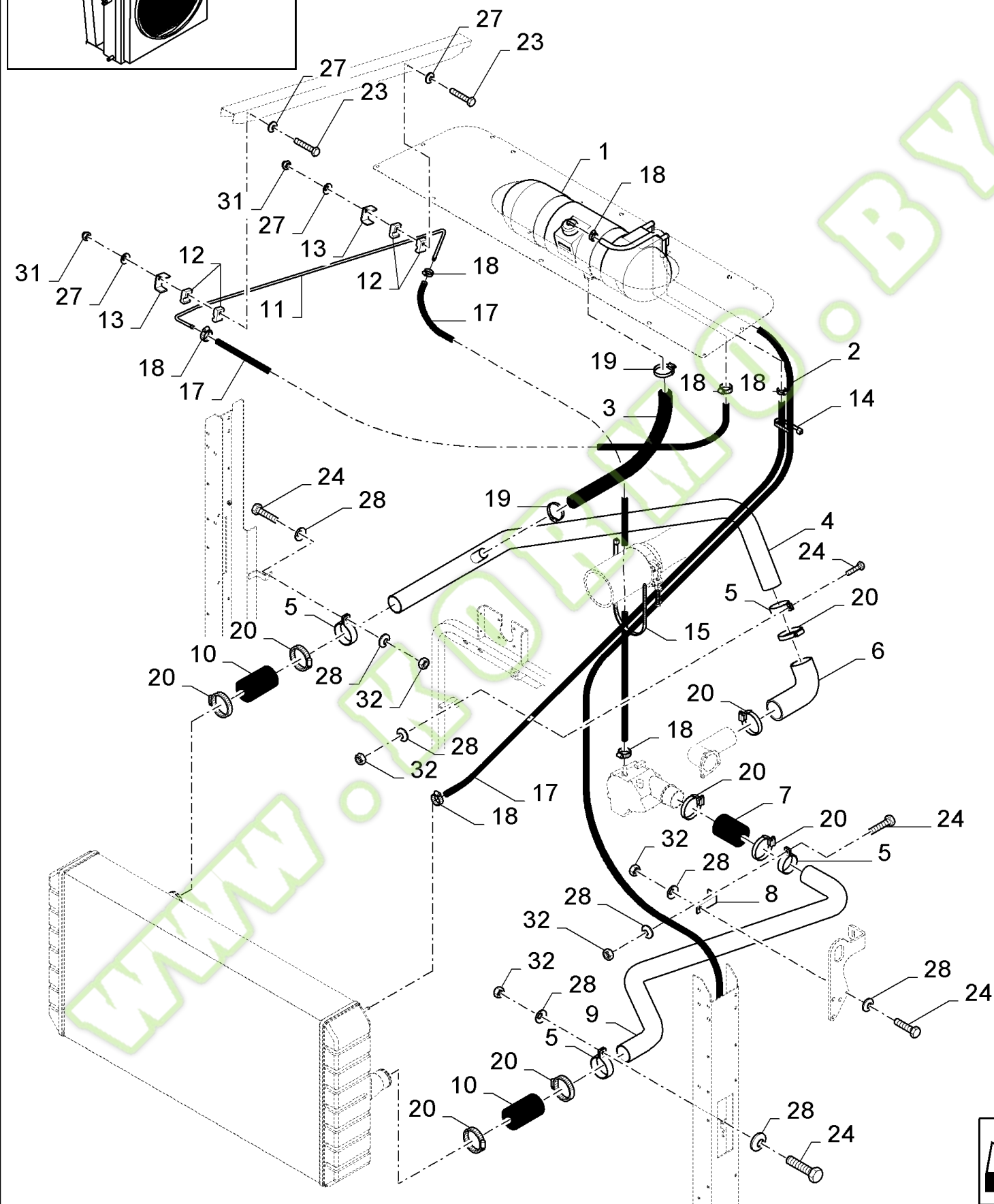
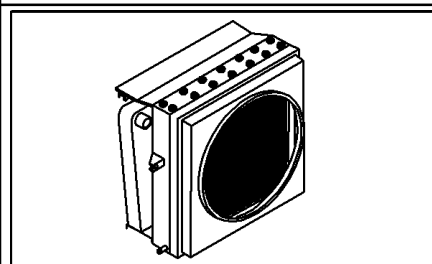




## FX48 SELF-PROPELLED FORAGE HARVESTER (9/98- )

## 01.054(01) AIR CIRCUIT - D218

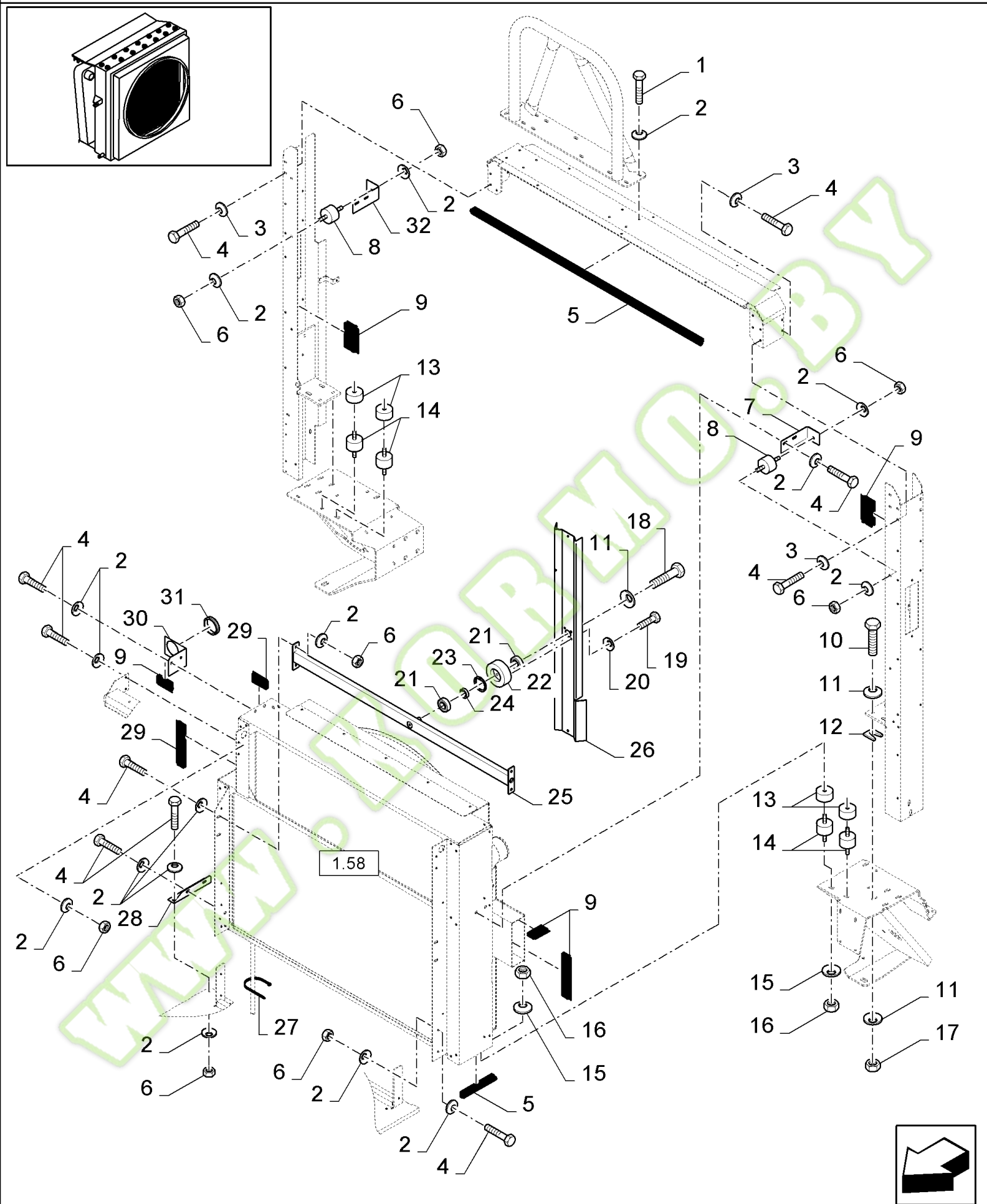
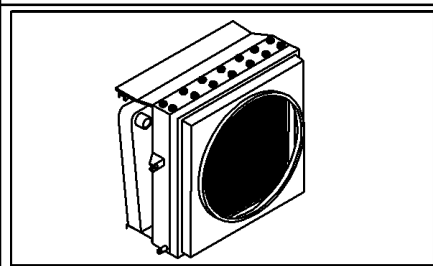
Ref	Part Number	Qty	Description
1	84076868	1	TUBE,
2	84435766	1	SUPPORT, , BSN C229
2	84441111	1	SUPPORT, , ASN D230
3	84061537	1	HOSE,
4	84015286	1	TUBE,
5	84334852	1	TUBE,
6	84432666	2	HOSE,
10	84038691	1	CLAMP,
11	84021019	4	CLAMP,
12	84015625	1	CLAMP,
13	84057503	4	CLAMP,
16	43128	2	SCREW, {PP:80043128} Hex, M8 x 30, 8.8, Cap, HH, CL 8.8, M8 x 1.25 x 30, BSN C229
16	120106	2	SCREW, {PP:80120106} Hex, M8 x 40, 8.8, Full Thd, Hex, M8 x 40, 8.8, Full Thd, ASN D230
19	322358	2	WASHER, LOCK, {PP:80322358} Belleville, M8, 8MM
22	89706690	2	NUT, CL 8, M8 x 1.25 x 13.0



## FX48 SELF-PROPELLED FORAGE HARVESTER (9/98- )

## 01.055(01) WATER CIRCUIT - D218

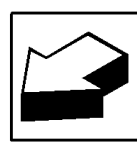
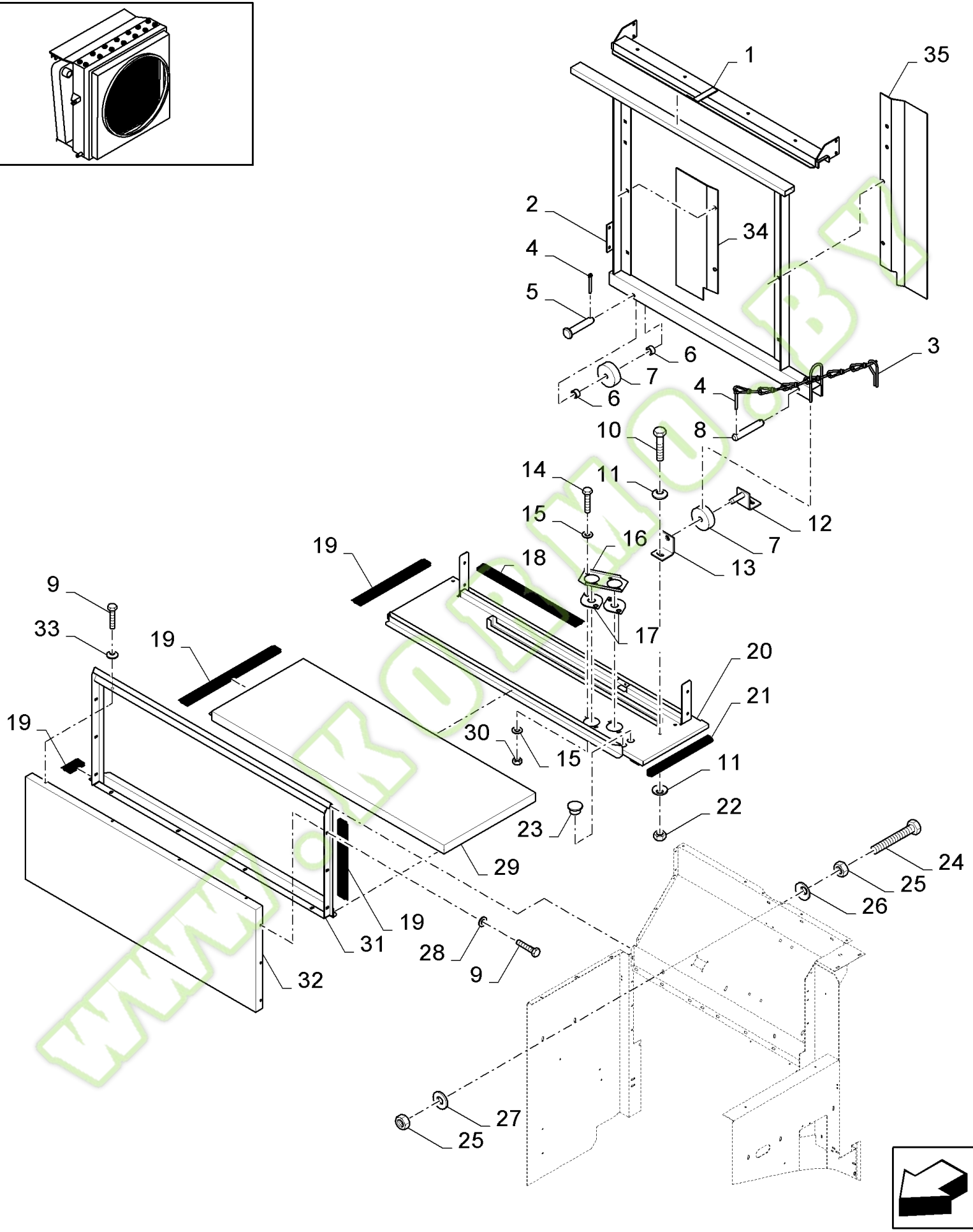
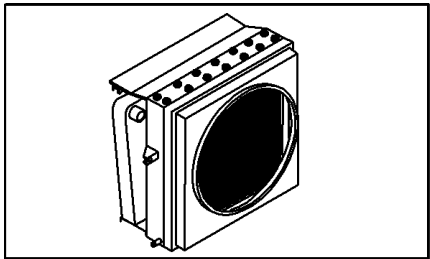
Ref	Part Number	Qty	Description
1	84069936	1	TANK,
2	398094	AR	HOSE, {PP:80398094} L=2830MM
3	84432685	1	HOSE, , BSN C221
3	84441037	1	HOSE, , ASN D222
4	84076818	1	TUBE, , FOR FX28 ONLY, BSN C221
4	84441038	1	TUBE, , FOR FX28 ONLY, ASN D222
4	84076851	1	TUBE, , FOR FX38-48 ONLY
5	84015625	4	CLAMP,
6	84035882	1	ELBOW,
7	89833673	1	HOSE,
8	84431385	1	BRACKET,
9	84076816	1	TUBE, , FOR FX28 ONLY
9	84076857	1	TUBE, , FOR FX38-48 ONLY
10	84432641	2	HOSE,
11	NS	1	NOT SERVICED, TUBE
12	433008	4	CLAMP, {PP:80433008}
13	433101	2	SUPPORT, {PP:80433101}
14	323597	1	STRAP, {PP:80323597}
15	396718	1	STRAP, {PP:80396718}
16	NS	AR	NOT SERVICED, HOSE
17	NS	AR	NOT SERVICED, HOSE
18	913888	7	CLAMP, {PP:80913888}
19	382527	2	CLAMP, {PP:80382527}
20	556701	8	CLAMP, {PP:80556701}
23	80043118	2	SCREW, Cap, HH, CL 8.8, M6 x 1 x 40
24	43128	5	SCREW, {PP:80043128} Hex, M8 x 30, 8.8, Cap, HH, CL 8.8, M8 x 1.25 x 30
27	412649	4	WASHER, LOCK, {PP:80412649} Belleville, M6, Belleville, M6
28	322358	8	WASHER, LOCK, {PP:80322358} Belleville, M8, 8MM
31	353308	2	NUT, {PP:80353308} M6 x 1, Cl 8, M6
32	89706690	5	NUT, CL 8, M8 x 1.25 x 13.0



## FX48 SELF-PROPELLED FORAGE HARVESTER (9/98- )

## 01.056(01) RADIATOR AND INTERCOOLER - D218

Ref	Part Number	Qty	Description
1	43127	AR	BOLT, {PP:80043127} Hex, M8 x 25, 8.8, Cap, HH, CL 8.8, M8 x 1.25 x 25
2	322358	AR	WASHER, LOCK, {PP:80322358} Belleville, M8, 8MM
3	412654	AR	WASHER, LOCK, {PP:80412654} 8MM
4	80120104	AR	SCREW, M8x20
5	84056063	AR	SEAL PROTECTION, 6M
6	89706690	AR	NUT, CL 8, M8 x 1.25 x 13.0
7	84435763	1	BRACKET,
8	84057804	2	DAMPER,
9	9838333	AR	ELEMENT, SEALING, {PP:89838333} 4M
10	43140	AR	BOLT, {PP:80043140} Hex, M10 x 30, 8.8, M10x30
11	140045	AR	WASHER, LOCK, {PP:80140045} Belleville, M10, 10MM
12	481489	AR	PLATE, ADJUSTING, {PP:80481489}
13	89850749	4	CAP, FLANGE COVER,
14	89850744	4	DAMPER,
15	140046	AR	WASHER, LOCK, {PP:80140046} Belleville, M12, 12MM
16	330327	AR	NUT, {PP:80330327} M12 x 1.25", CI 8, M12x1.5
17	100016	AR	NUT, {PP:80100016} M10, CI 8, M10
18	43138	AR	SCREW, {PP:80043138} Hex, M10 x 20, 8.8, Full Thd, M10x20
19	86508568	AR	SCREW, Hex, M6 x 16, 8.8, M6x16
20	322357	AR	WASHER, LOCK, {PP:80322357} Belleville, M6, Belleville, M6
21	34164	2	BEARING, BALL, {PP:80034164}
22	84437613	1	BUSHING,
23	80300642	1	CIRCLIP,
24	84334251	1	WASHER,
25	84432999	1	SUPPORT,
26	84439094	1	BLADE, TILLAGE,
27	323597	1	STRAP, {PP:80323597}
28	84437619	1	PLATE,
29	84056062	AR	SEAL PROTECTION, 6M
30	84432887	1	PLATE,
31	451556	AR	HOSE, {PP:80451556} 0.5M
32	84435765	1	BRACKET,

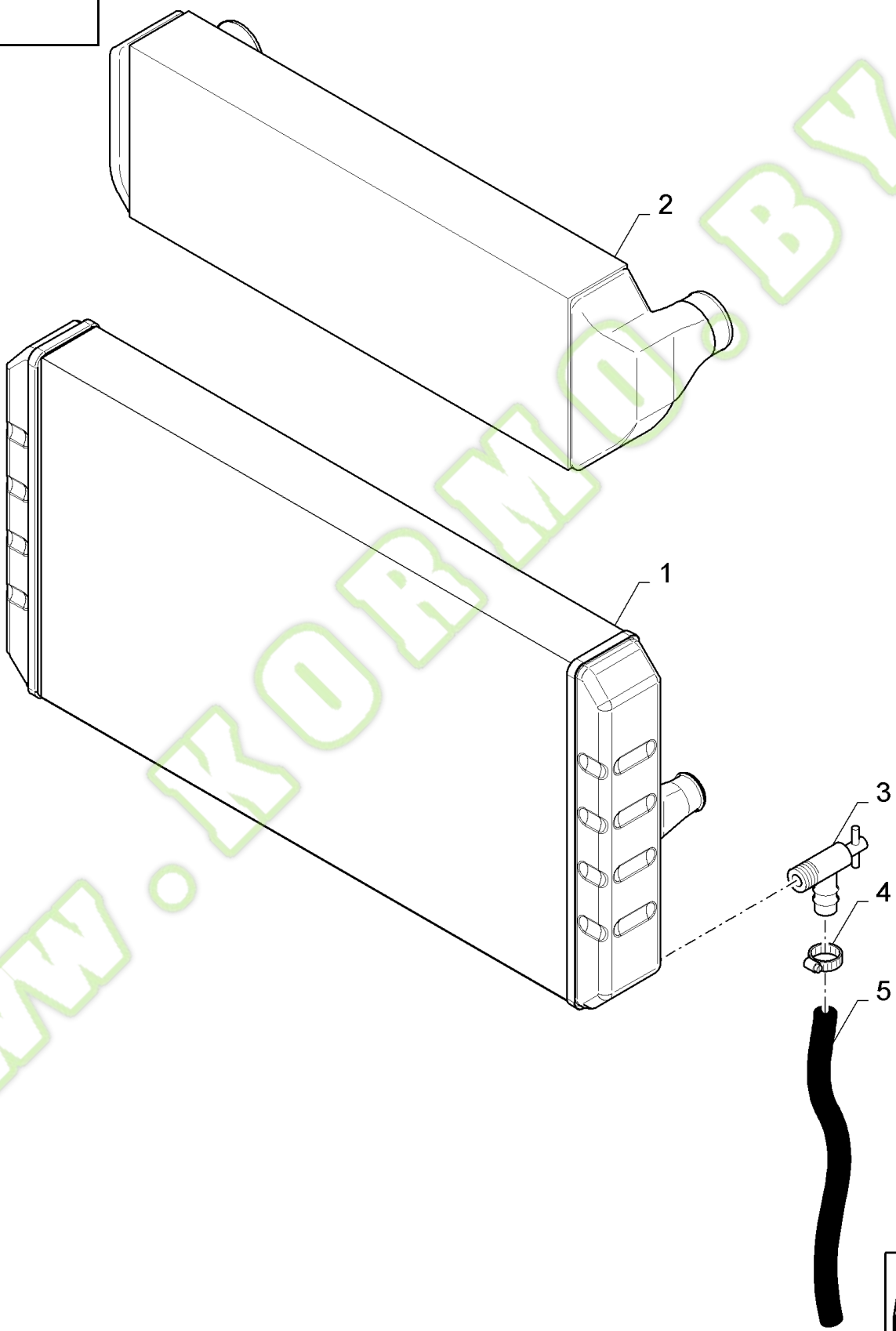
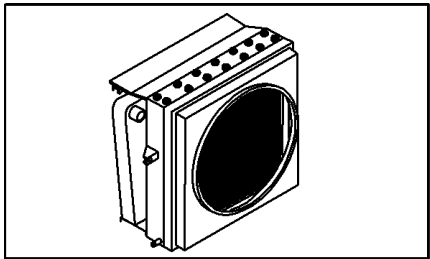


## FX48 SELF-PROPELLED FORAGE HARVESTER (9/98- )

## 01.057(01) RADIATOR AND INTERCOOLER - D218

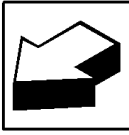
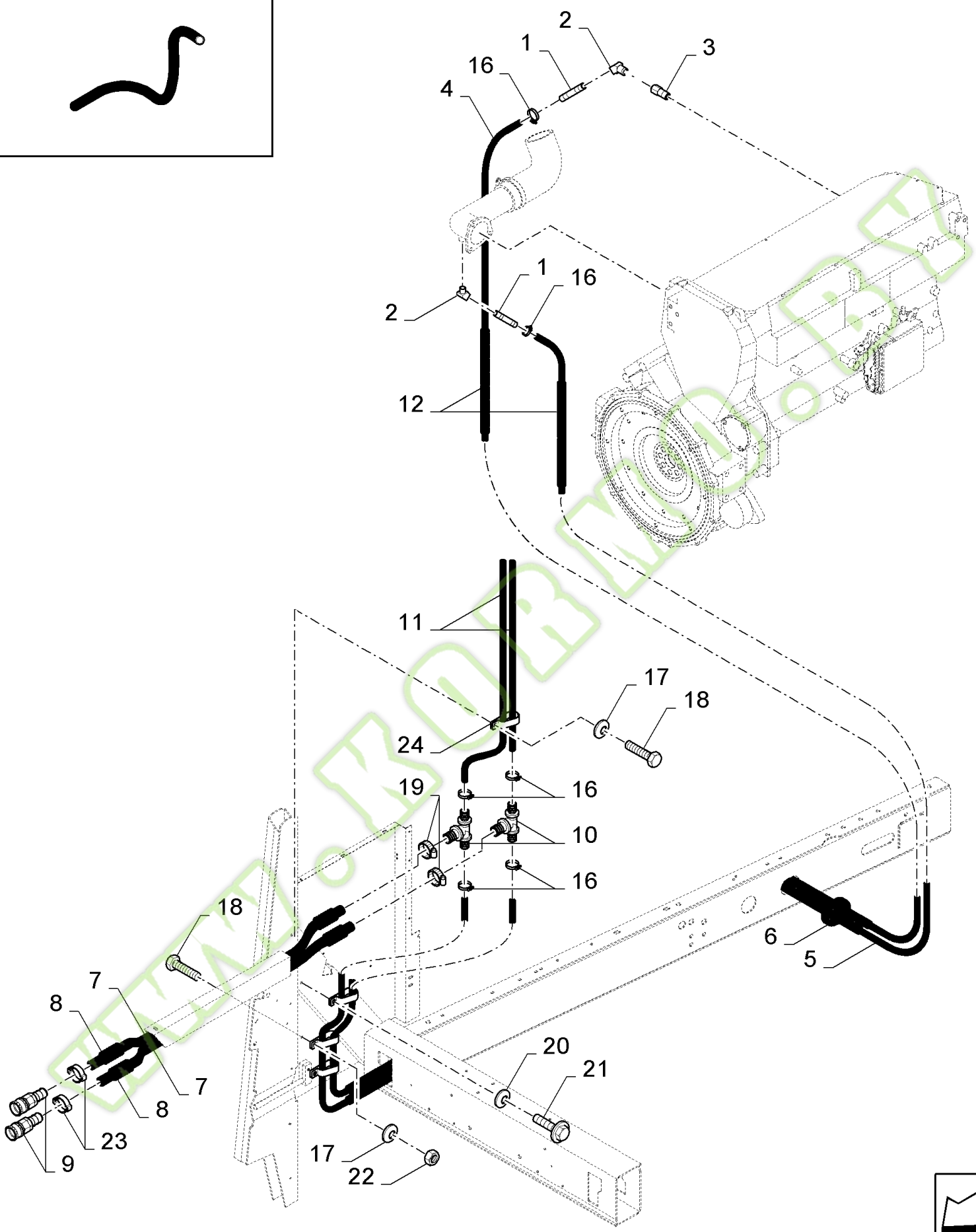
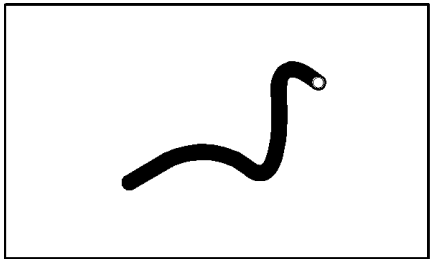
Ref	Part Number	Qty	Description
1	84434987	1	PROFILE,
2	84439396	1	SUPPORT,
3	370539	1	PIN, SPLIT (COTTER), {PP:80370539}
4	130004	2	PIN, SPLIT (COTTER), {PP:80130004} M3.2 x 25,
5	84018348	1	PIN, CLEVIS,
6	84015622	2	BUSHING,
7	84005506	2	ROLLER,
8	80353024	1	PIN, ROLL,
9	80378056	AR	SCREW, M6x10
10	80120104	AR	SCREW, M8x20
11	322358	AR	WASHER, LOCK, {PP:80322358} Belleville, M8, 8MM
12	84015193	1	SUPPORT,
13	84005501	1	BRACKET,
14	86977786	AR	BOLT, Hex, M6 x 25, 8.8, M6x25
15	140015	AR	WASHER, {PP:80140015} 6MM
16	84018144	1	GUIDE,
17	84023779	2	ELEMENT, SEALING,
18	9838333	AR	ELEMENT, SEALING, {PP:89838333} 4M
19	84056062	AR	SEAL PROTECTION, 6M
20	84437649	1	PLATE,
21	84056063	AR	SEAL PROTECTION, 6M
22	89706690	AR	NUT, CL 8, M8 x 1.25 x 13.0
23	433314	2	PLUG, {PP:80433314}
24	120070	AR	BOLT, {PP:80120070} Hex, M10 x 60, 8.8, M10x60
25	100016	AR	NUT, {PP:80100016} M10, CI 8, M10
26	140045	AR	WASHER, LOCK, {PP:80140045} Belleville, M10, 10MM
27	140042	AR	WASHER, LOCK, {PP:80140042} M10 x 34 x 3, 10MM
28	412649	AR	WASHER, LOCK, {PP:80412649} Belleville, M6, Belleville, M6
29	84433630	1	PLATE, , BSN C229
29	84440622	1	PLATE, , ASN D230
30	353308	AR	NUT, {PP:80353308} M6 x 1, CI 8, M6
31	84032363	1	FRAME,
32	84018384	1	PLATE,
33	322357	AR	WASHER, LOCK, {PP:80322357} Belleville, M6, Belleville, M6
34	84439392	1	PLATE,
35	84439391	1	PLATE,





Ref	Part Number	Qty	Description
1	84437772	1	RADIATOR,
2	84437773	1	INTERCOOLER,
3	441031	1	DRAINCOCK/TAP, SUPPLY, {PP:80441031}
4	913888	1	CLAMP, {PP:80913888}
5	398094	1	HOSE, {PP:80398094} L=2830MM

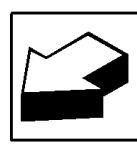
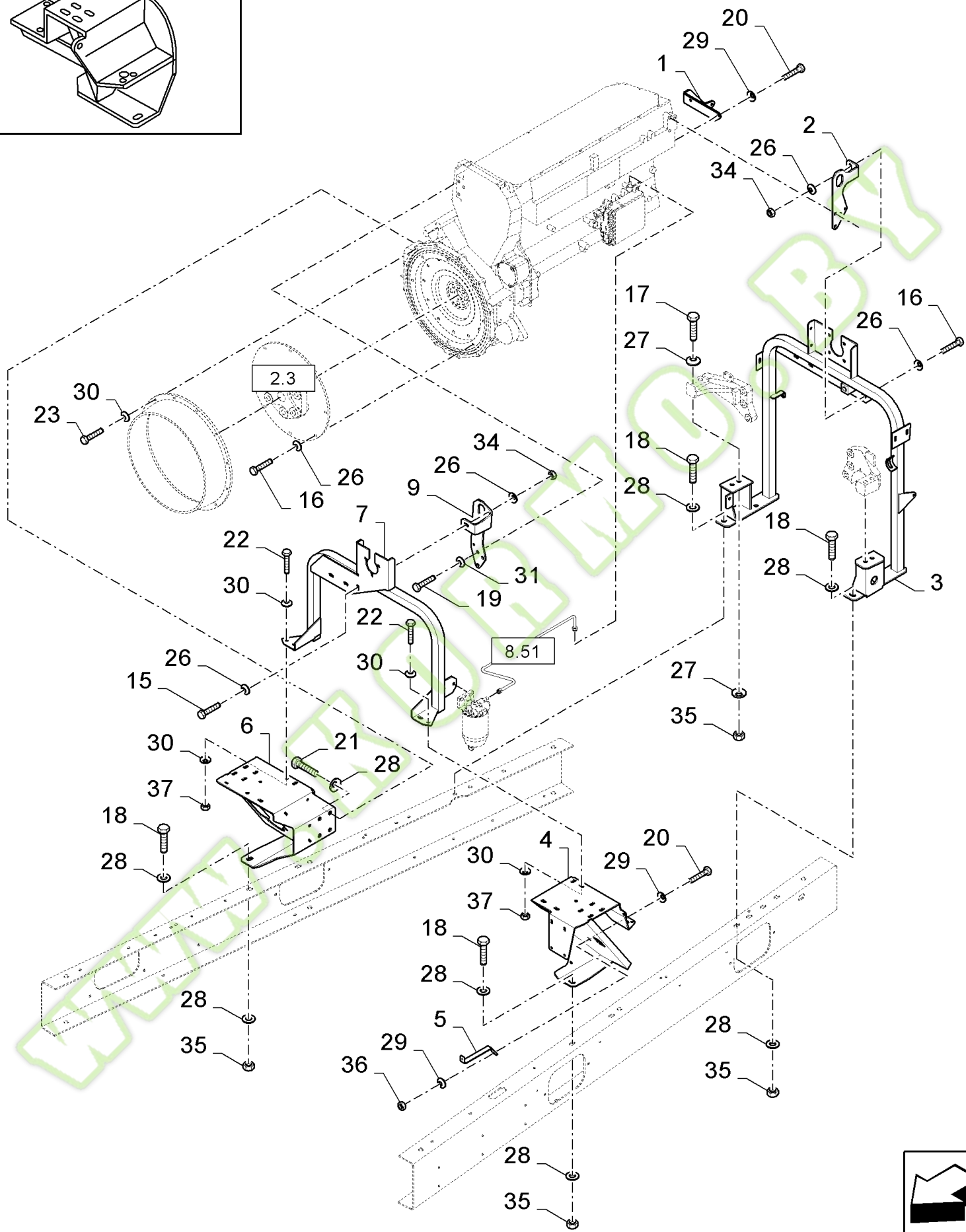
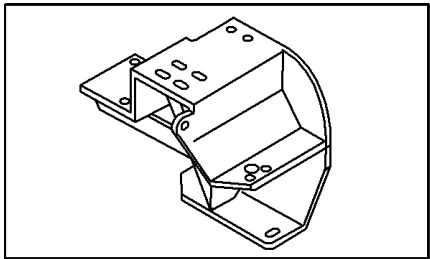
WWW.KORMO.BY



## FX48 SELF-PROPELLED FORAGE HARVESTER (9/98- )

01.059(01) HEATING - D218

Ref	Part Number	Qty	Description
1	84021074	2	TUBE,
2	353779S	2	ELBOW, {PP:83905214}
3	84334474	1	CONNECTOR, HYD.,
4	84434404	1	HOSE,
5	84434399	1	HOSE,
6	NSS	AR	NOT SERVICED SEPARATELY, PROTECTION
7	84058174	2	HOSE,
8	NSS	AR	NOT SERVICED SEPARATELY, PROTECTION
9	84607508	2	CONNECTOR, HYD.,
10	84057136	2	CONNECTION, 3 WAY,
11	84043021	2	HOSE,
12	NSS	AR	NOT SERVICED SEPARATELY, PROTECTION
16	326082	6	CLAMP, {PP:80326082}
17	322358	2	WASHER, LOCK, {PP:80322358} Belleville, M8, 8MM
18	43128	2	SCREW, {PP:80043128} Hex, M8 x 30, 8.8, Cap, HH, CL 8.8, M8 x 1.25 x 30
19	58948	2	CLAMP, {PP:80058948}
20	322357	1	WASHER, LOCK, {PP:80322357} Belleville, M6, Belleville, M6
21	80412357	1	SCREW, M6x25
22	100015	1	NUT, {PP:80100015} M8, CI 8, M10
23	84607087	2	CLAMP,
24	9513271	4	CLAMP, {PP:89513271}



## FX48 SELF-PROPELLED FORAGE HARVESTER (9/98- )

## 01.061(01) ENGINE, SUPPORT - D218

Ref	Part Number	Qty	Description
1	84433244	1	SUPPORT,
2	84075369	1	SUPPORT,
3	84075641	1	SUPPORT,
4	84076652	1	SUPPORT,
5	84053454	1	BRACKET,
6	84076655	1	SUPPORT,
7	84075262	1	SUPPORT,
8	NS	AR	NOT SERVICED, TUBE 12MM
9	84075278	1	SUPPORT,
15	86629541	2	BOLT, Hex, M12 x 40, 8.8, Full Thd, M12x40
16	9706687	8	SCREW, {PP:89706687} Hex, M12 x 30, 8.8, M12x30
17	374889	4	SCREW, {PP:80374889} Hex, M16 x 100, 8.8, M16x100
18	120090	8	SCREW, {PP:80120090} Hex, M16 x 50, 8.8, Hex, M16 x 50, 8.8
19	412677	3	BOLT, {PP:80412677} Hex, M12 x 30, 12.9, Full Thd, M12x30
20	80120104	3	SCREW, M8x20
21	43168	8	SCREW, {PP:80043168} Hex, M16 x 40, 8.8, Hex, M16 x 40, 8.8
22	43140	4	BOLT, {PP:80043140} Hex, M10 x 30, 8.8, M10x30
23	120068	12	SCREW, {PP:80120068} Hex, M10 x 40, 8.8, Full Thd, M10x40
26	140046	12	WASHER, LOCK, {PP:80140046} Belleville, M12, 12MM
27	140048	8	WASHER, LOCK, {PP:80140048} Belleville, M16, 16MM
28	86592702	22	WASHER, M16 x 45 x 6, HT, 16MM
29	322358	4	WASHER, LOCK, {PP:80322358} Belleville, M8, 8MM
30	140045	20	WASHER, LOCK, {PP:80140045} Belleville, M10, 10MM
31	86592701	3	WASHER, M12 x 35 x 5, HT, 12MM
34	89706685	2	NUT, M12
35	100020	10	NUT, {PP:80100020} M16, Cl 8, M16, Cl 8
36	89706690	1	NUT, CL 8, M8 x 1.25 x 13.0
37	100016	4	NUT, {PP:80100016} M10, Cl 8, M10

SECTIONS

SECTIONS

SECCIONES

AFSNIT

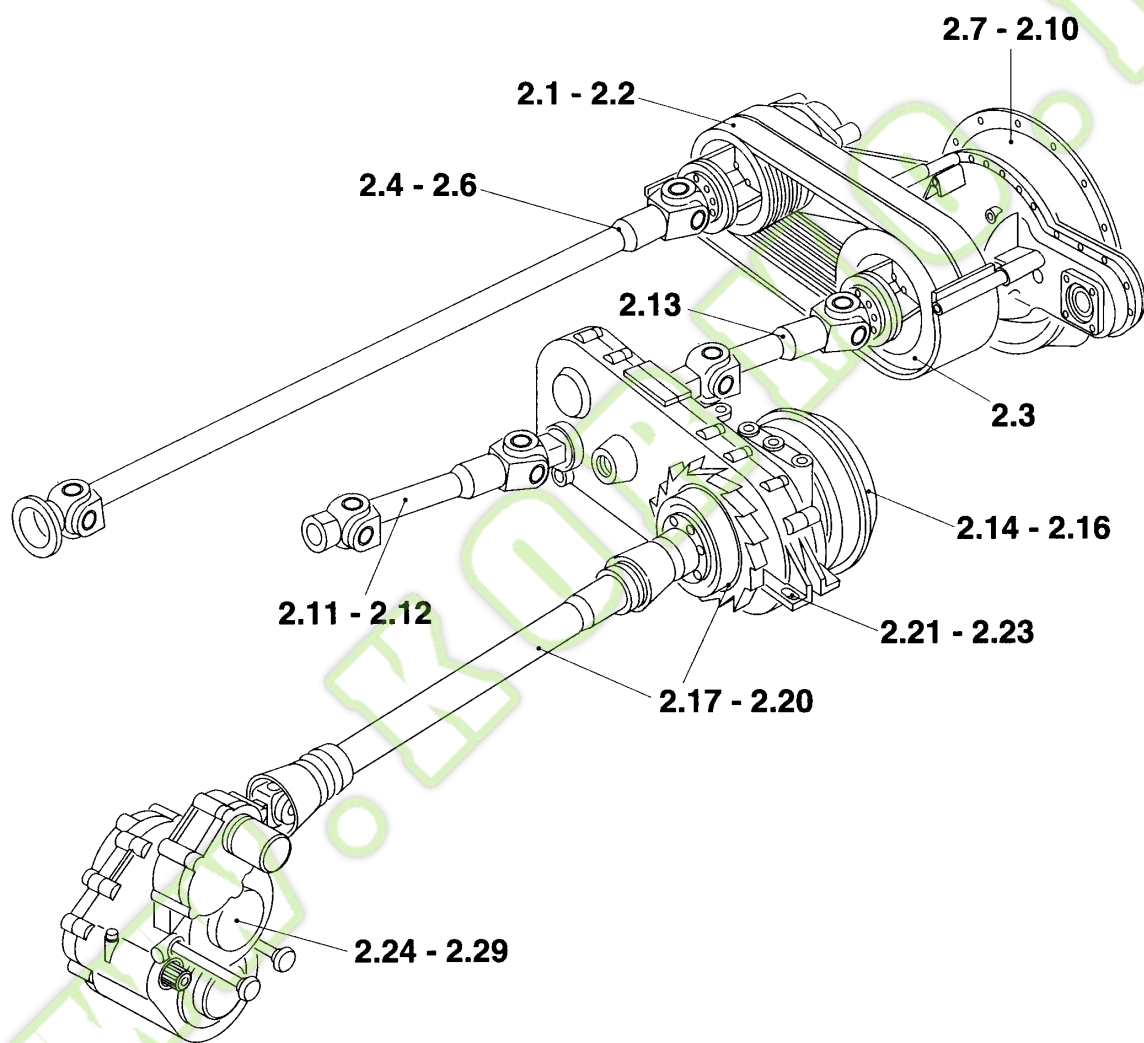
SEZIONI

ABSCHNITTE

SECÇÕES

SECTIES

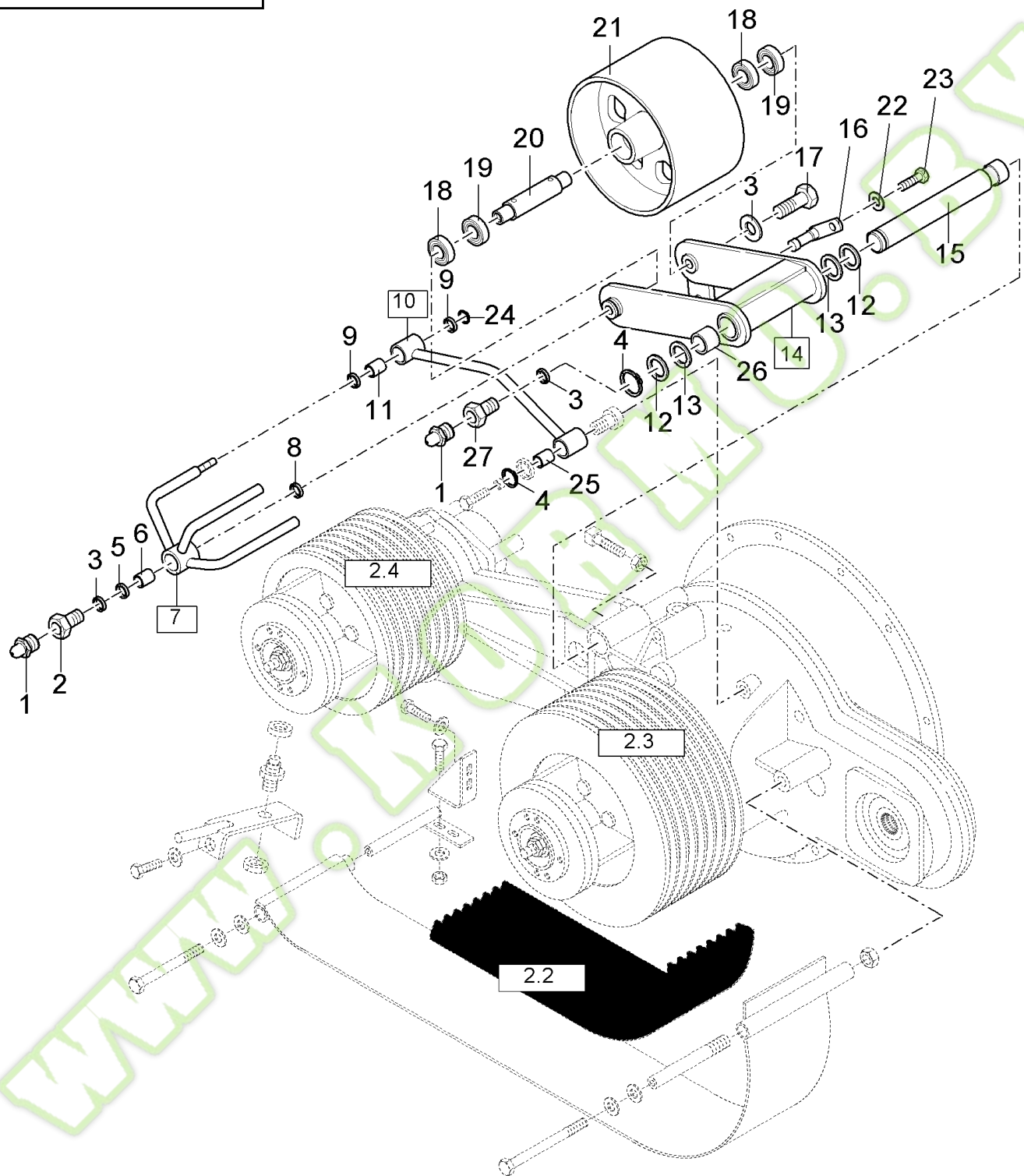
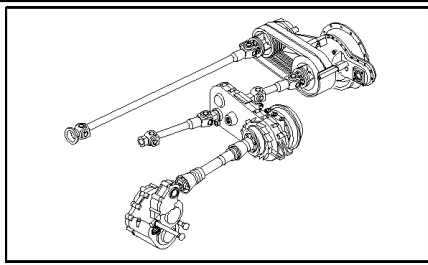
**SEC. 2**



Ref	Part Number	Qty	Description
<p>WWW.KORMO.BY</p>			



02.01(01) MAIN DRIVE

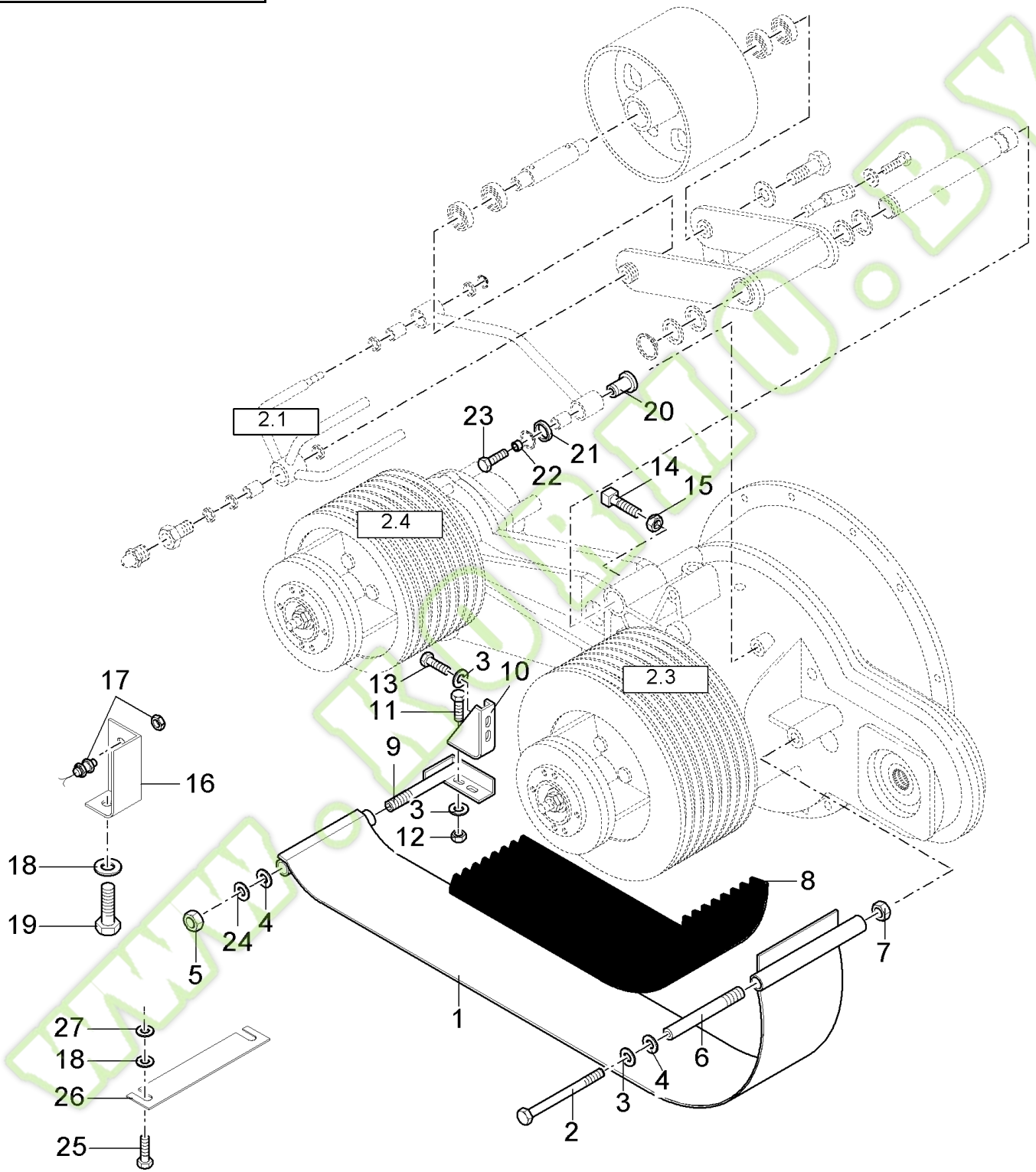
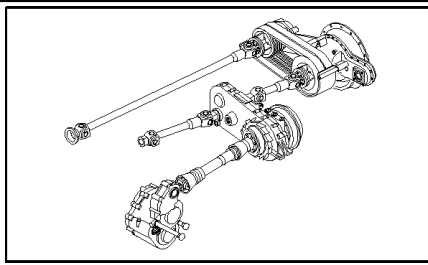


## FX48 SELF-PROPELLED FORAGE HARVESTER (9/98- )

## 02.01(01) MAIN DRIVE

Ref	Part Number	Qty	Description
1	321204	AR	NIPPLE, LUBE, {PP:80321204}
2	84022344	1	SCREW,
3	140046	AR	WASHER, LOCK, {PP:80140046} Belleville, M12, 12MM
4	370003	2	CIRCLIP, {PP:80370003}
5	80395606	1	WASHER,
6	210022	1	SLEEVE, {PP:80210022} , BSN C151
6	544295	1	BUSHING, {PP:80544295} , ASN D152
7	84056305	1	GUIDE, (6), BSN C127
7	84078895	1	GUIDE, (6), BSN F128151
7	84320528	1	GUIDE, , USE 84320528 TOGETHER WITH 84320586, ASN D152
8	748212	1	PLATE, ADJUSTING, {PP:80748212}
9	11158	2	WASHER, {PP:80011158}
10	84022331	1	ARM, (11,25), BSN C127
10	84078891	1	ARM, (11,25), ASN D128
11	84022259	1	SLEEVE,
12	441176	AR	WASHER, {PP:80441176}
13	140178	AR	WASHER, {PP:80140178}
14	84017654	1	ARM, (26), BSN C151
14	84320586	1	ARM, (26), USE 84320528 TOGETHER WITH 84320586, ASN D152
15	89516463	1	SHAFT,
16	84017725	1	ARM,
17	86629541	1	BOLT, Hex, M12 x 40, 8.8, Full Thd, M12x40
18	44680	2	BEARING ASSY, {PP:80044680}
19	412669	2	BEARING ASSY, {PP:80412669}
20	80750183	1	SHAFT,
21	84045963	1	PULLEY,
22	322358	1	WASHER, LOCK, {PP:80322358} Belleville, M8, 8MM
24	301615	1	RING, {PP:80301615}
25	210077	1	SLEEVE, {PP:80210077}
26	210022	2	SLEEVE, {PP:80210022}
27	84320369	1	SCREW, , ASN D136
23	16043224	1	SCREW, Hex, M8 x 16, 8.8, Full Thd, M8x16

02.02(01) MAIN DRIVE

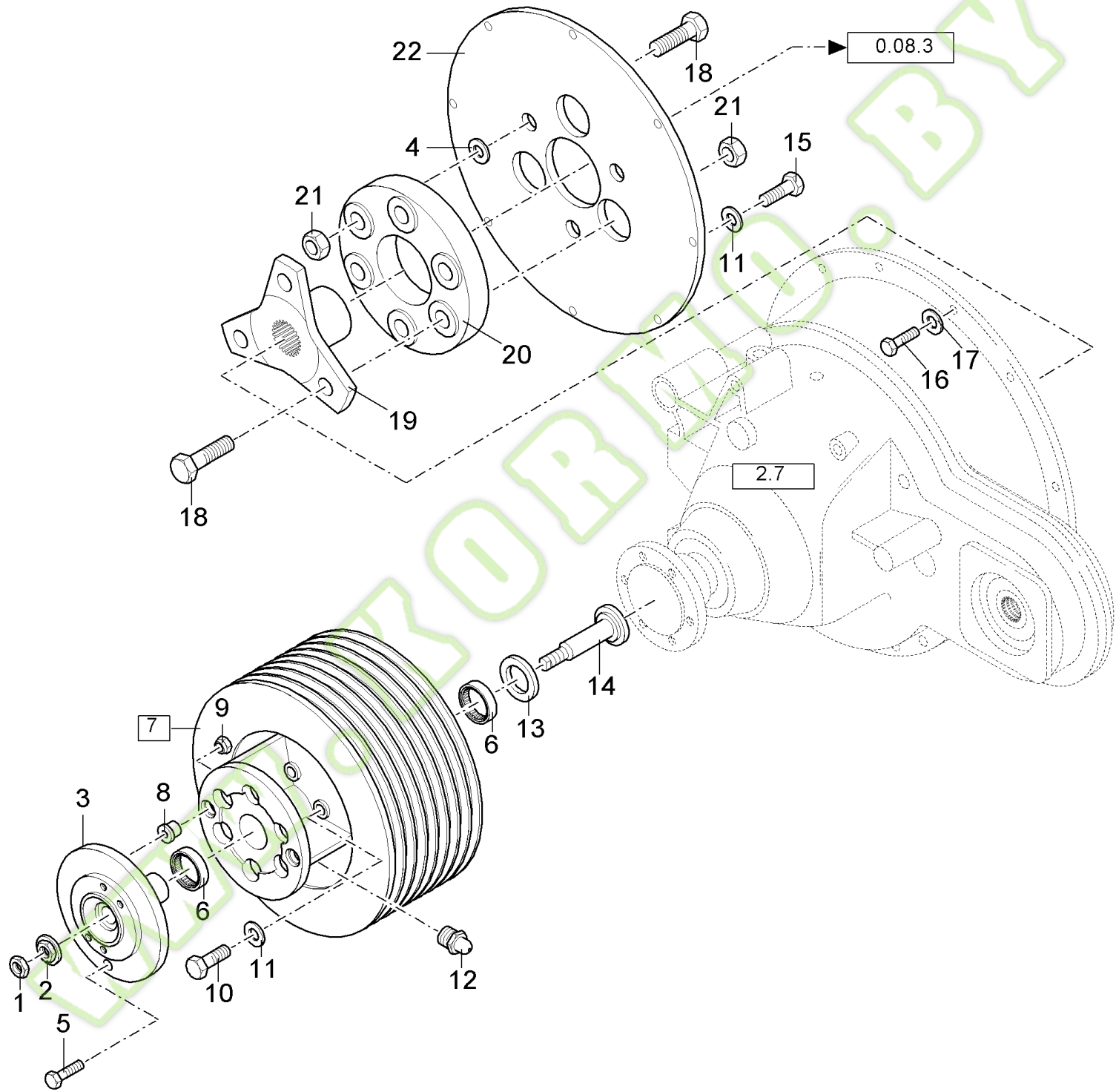
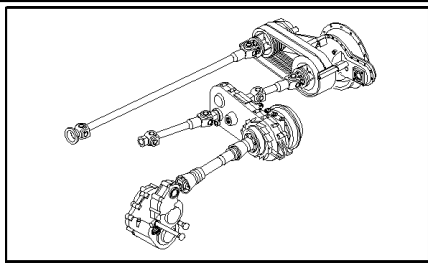


## FX48 SELF-PROPELLED FORAGE HARVESTER (9/98- )

## 02.02(01) MAIN DRIVE

Ref	Part Number	Qty	Description
1	84053663	1	GUIDE, , BSN C127
1	84078888	1	GUIDE, , ASN D128
1	84056587	1	GUIDE, Low speed, FOR FX28 NA ONLY
2	374887	1	SCREW, {PP:80374887} Hex, M12 x 100, 8.8, M12x100
3	322358	AR	WASHER, LOCK, {PP:80322358} Belleville, M8, 8MM
4	378246	AR	WASHER, {PP:80378246} 12MM
5	86000441	1	NUT, M12 x 1.75, CI 8, M12
6	84022023	1	STUD, , BSN C173
6	84429744	1	ROD, , ASN D174
7	100020	1	NUT, {PP:80100020} M16, CI 8, M16, CI 8, BSN C173
8	84074273	1	SET OF BELTS, , BSN C127
8	84074273	1	SET OF BELTS, , ASN D128
8	84036579	1	SET OF BELTS, Low speed, FOR FX28 NA ONLY
9	84062074	1	SUPPORT, M16, BSN C127
10	84062077	1	BRACKET, , BSN C127
11	80120104	2	SCREW, M8x20, BSN C127
12	89706690	2	NUT, CL 8, M8 x 1.25 x 13.0, BSN C127
14	9706687	1	SCREW, {PP:89706687} Hex, M12 x 30, 8.8, M12x30
15	89706685	1	NUT, M12
16	84043850	1	SUPPORT,
17	84056994	1	SENSOR,
18	140045	AR	WASHER, LOCK, {PP:80140045} Belleville, M10, 10MM
19	9706704	1	BOLT, {PP:89706704} Hex, M10 x 35, 8.8, Full Thd, M10x35
20	84022343	1	RING,
21	748212	AR	PLATE, ADJUSTING, {PP:80748212}
22	80412123	1	WASHER, LOCK,
23	84022173	1	SCREW, Hex Soc Hd, M8 x 35, 8.8, M12x30
24	140048	1	WASHER, LOCK, {PP:80140048} Belleville, M16, 16MM, BSN C127
25	43140	2	BOLT, {PP:80043140} Hex, M10 x 30, 8.8, M10x30, ASN D128
26	84078887	AR	SHIM, , ASN D128
27	140042	2	WASHER, LOCK, {PP:80140042} M10 x 34 x 3, , ASN D186
13	16043224	AR	SCREW, Hex, M8 x 16, 8.8, Full Thd, M8x16

02.03(01) MAIN DRIVE

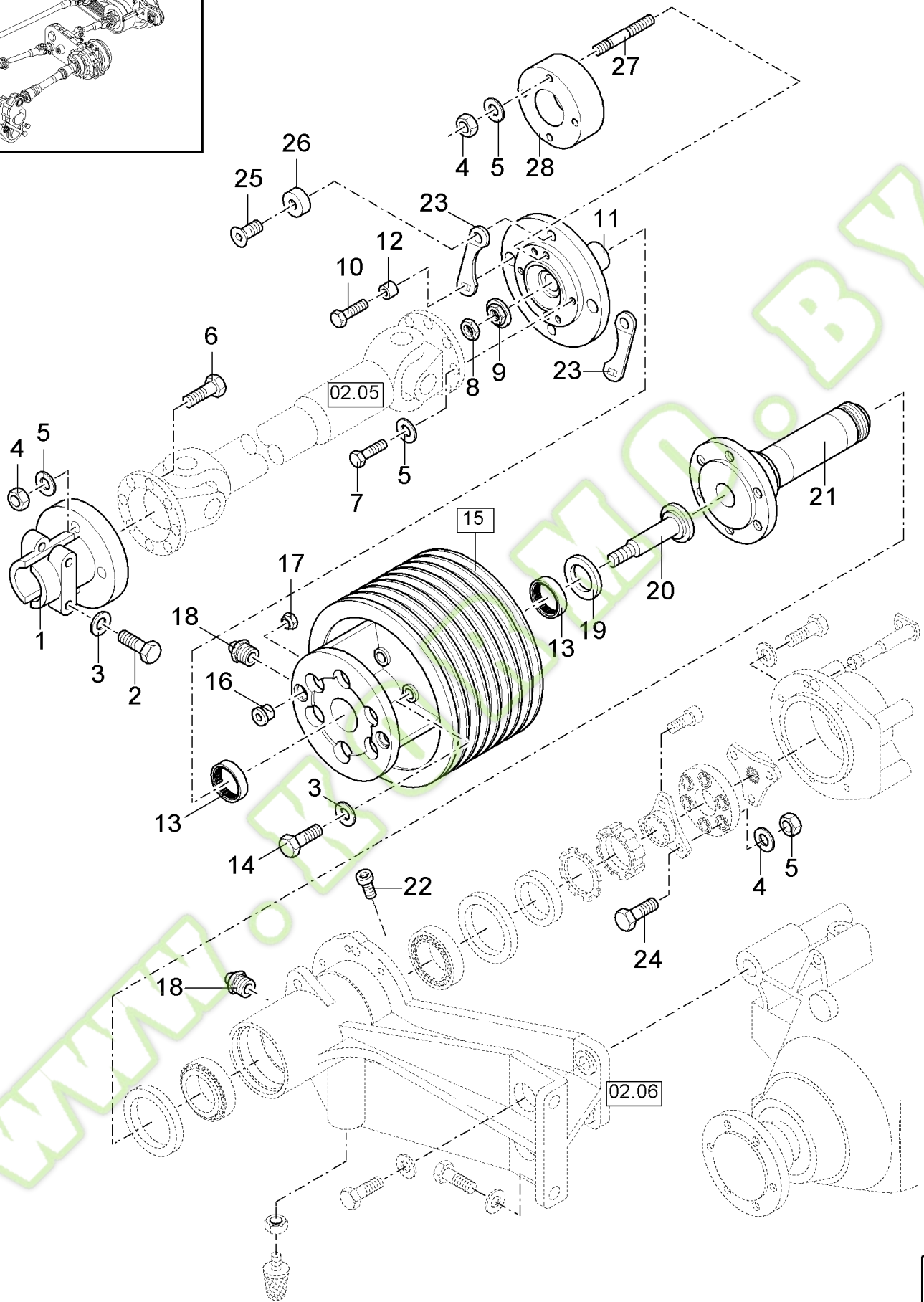
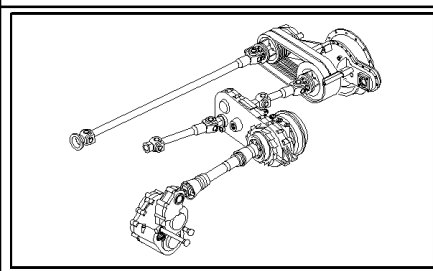


## FX48 SELF-PROPELLED FORAGE HARVESTER (9/98- )

## 02.03(01) MAIN DRIVE

Ref	Part Number	Qty	Description
1	364164	1	NUT, {PP:80364164} Thin, M16 x 1.5, CI 04, M16
2	84014953	1	NUT,
3	84056604	1	FLANGE,
4	84023555	3	RING, 22MM, FOR FX28-38-48 ONLY, FOR IVECO-ENGINE ONLY
4	84061017	3	WASHER, 22MM, FOR FX58 ONLY, FOR CAT-ENGINE ONLY
5	80536887	1	SCREW, M6x40
6	84015464	2	BEARING ASSY,
7	84043362	1	PULLEY, (6,8)
7	84043361	1	PULLEY, (6,8),LOW SPEED, FOR FX28 NA ONLY
8	84004370	1	SLEEVE, , BSN C185
8	84434534	2	SLEEVE, , ASN D186
9	9706755	1	NUT, {PP:89706755} M6, CI 8, M6
10	86629541	6	BOLT, Hex, M12 x 40, 8.8, Full Thd, M12x40
11	140046	14	WASHER, LOCK, {PP:80140046} Belleville, M12, 12MM
12	321204	1	NIPPLE, LUBE, {PP:80321204}
13	140061	1	WASHER, {PP:80140061}
14	84012444	1	SHAFT,
15	84021571	8	BOLT, Hex, M12 x 1.25 x 30, 8.8, Full Thd,
16	412460	12	BOLT, {PP:80412460} Short NK, M20 x 120, CI8.8, M10X30
17	140045	12	WASHER, LOCK, {PP:80140045} Belleville, M10, 10MM
18	89833397	6	SCREW, M22x75, FOR FX28-38-48 ONLY, FOR IVECO-ENGINE ONLY
18	84061021	6	SCREW, Hex, M24 x 2 x 80, 8.8, M22x75, FOR FX58 ONLY, FOR CAT-ENGINE ONLY
19	89514951	1	HUB, , FOR FX28-38-48 ONLY, FOR IVECO-ENGINE ONLY
19	84057909	1	HUB, , FOR FX58 ONLY, FOR CAT-ENGINE ONLY
20	84023585	1	COUPLING, QUICK, FEMALE, , FOR FX28-38-48 ONLY, FOR IVECO-ENGINE ONLY
20	84057788	1	COUPLING, QUICK, FEMALE, , FOR FX58 ONLY, FOR CAT-ENGINE ONLY
21	89833396	6	NUT, M22, FOR FX28-38-48 ONLY, FOR IVECO-ENGINE ONLY
21	300355	6	NUT, {PP:80300355} M24 x 2, CI 8, M22, FOR FX58 ONLY, FOR CAT-ENGINE ONLY
22	84023586	1	PLATE, , FOR FX28-38-48 ONLY, FOR IVECO-ENGINE ONLY
22	84057912	1	PLATE, , FOR FX58 ONLY, FOR CAT-ENGINE ONLY

02.04(01) MAIN DRIVE



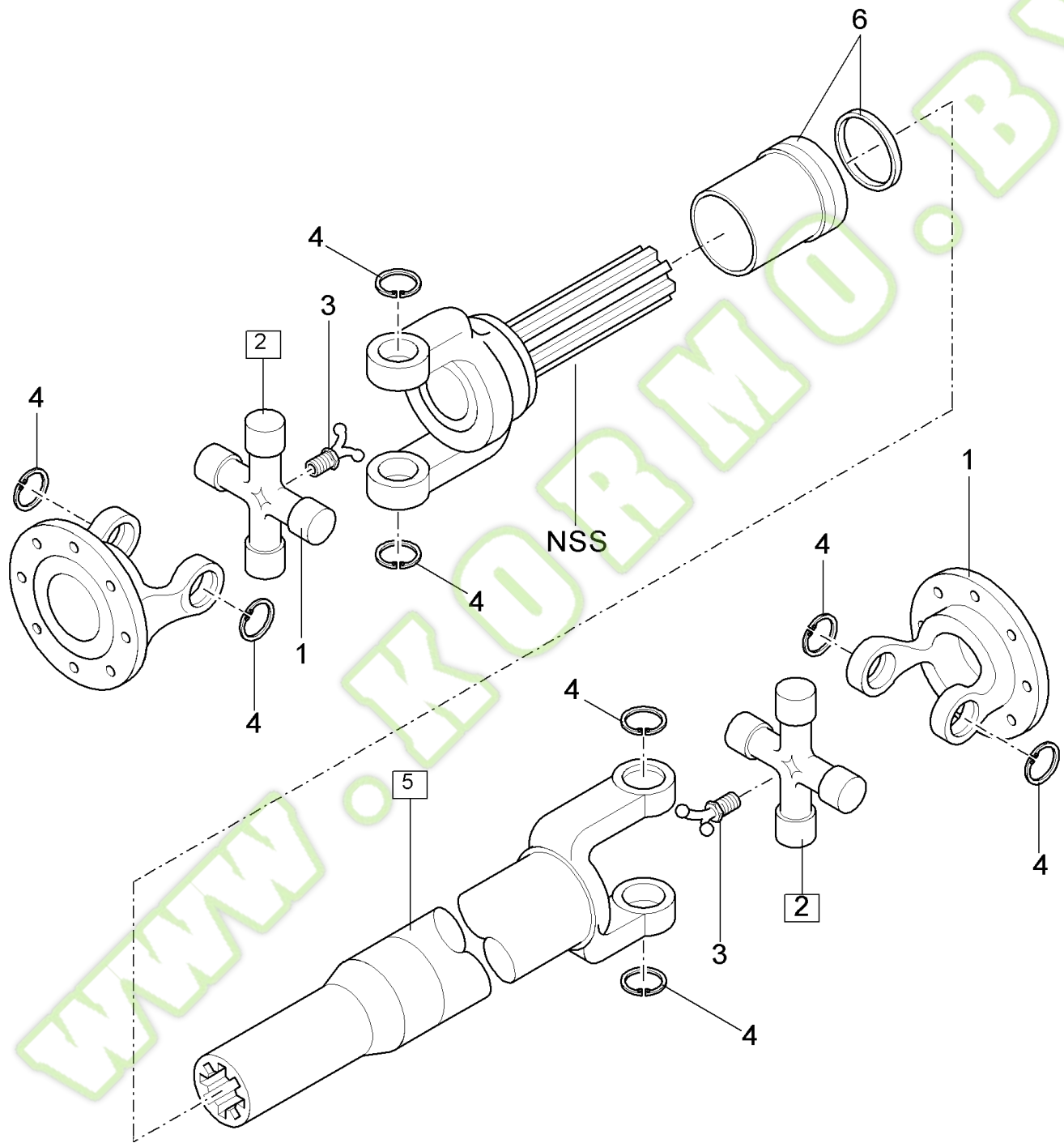
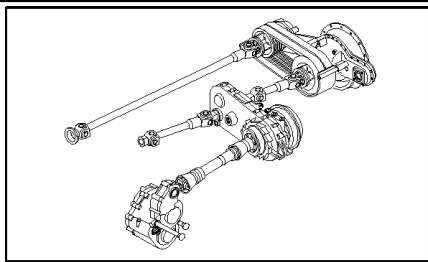
## FX48 SELF-PROPELLED FORAGE HARVESTER (9/98- )

## 02.04(01) MAIN DRIVE

Ref	Part Number	Qty	Description
1	89850296	1	FLANGE,
2	9706717	2	SCREW, {PP:89706717} Hex, M12 x 70, 8.8, Full Thd, Hex, M12 x 70, 8.8, Full Thd
3	140046	8	WASHER, LOCK, {PP:80140046} Belleville, M12, 12MM
4	100016	AR	NUT, {PP:80100016} M10, CI 8, M10
5	140045	8	WASHER, LOCK, {PP:80140045} Belleville, M10, 10MM
6	325829	4	SCREW, {PP:80325829} Hex, M10 x 45, 8.8, M10x45
7	43138	4	SCREW, {PP:80043138} Hex, M10 x 20, 8.8, Full Thd, M10x20
8	364164	1	NUT, {PP:80364164} Thin, M16 x 1.5, CI 04, M16
9	84014953	1	NUT,
10	80536887	2	SCREW, Shear
11	84056694	1	FLANGE, (12)
12	89516387	2	SLEEVE,
13	84015464	2	BEARING ASSY,
14	86629541	6	BOLT, Hex, M12 x 40, 8.8, Full Thd, M12x40
15	84043361	1	PULLEY, (13,16)
16	84004370	1	SLEEVE, , BSN C185
16	84434534	2	SLEEVE, , ASN D186
17	9706755	4	NUT, {PP:89706755} M6, CI 8, M6
18	321204	2	NIPPLE, LUBE, {PP:80321204}
19	140061	1	WASHER, {PP:80140061}
20	84012444	1	SHAFT,
21	89811518	1	SHAFT,
22	46566	1	BREATHER, {PP:80046566}
23	84043315	2	CLIP, SPRING, , BSN C217
23	84440202	2	PLATE, , ASN D218
24	9706704	6	BOLT, {PP:89706704} Hex, M10 x 35, 8.8, Full Thd, M10x35
25	80320772	2	SCREW,
25	86508568	4	SCREW, Hex, M6 x 16, 8.8, M6x16
26	84043324	2	WASHER,
26	322357	4	WASHER, LOCK, {PP:80322357} Belleville, M6, Belleville, M6
27	84433367	1	STUD, , FOR CROP PRO PLUS (NA) ONLY
28	84989815	1	FLANGE, , FOR CROP PRO PLUS (NA) ONLY



02.05(01) POWER TAKE-OFF

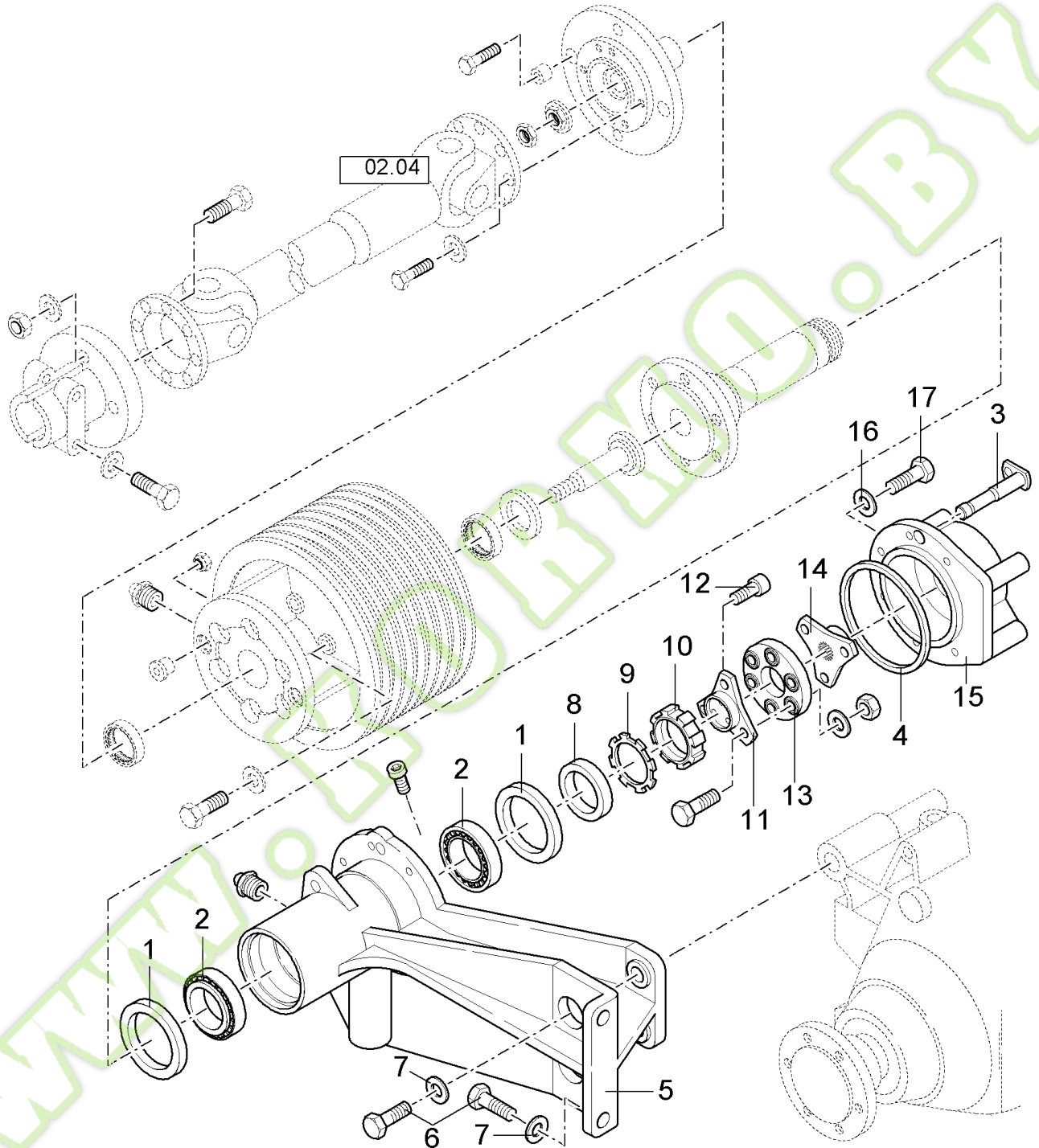
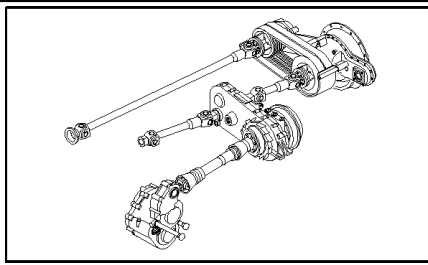


## 02.05(01) POWER TAKE-OFF

Ref	Part Number	Qty	Description
	89850690	1	SHAFT, PTO, (1 to 6)
1	84031229	2	YOKE,
2	84031230	2	SPIDER, (3,4)
3	84039155	2	NIPPLE, LUBE,
4	84031231	8	CIRCLIP,
5	84031232	1	SHAFT, (NSS)
6	84045266	1	ELEMENT, SEALING, , WELDED PARTS

WWW.KORMO.BY

02.06(01) MAIN DRIVE

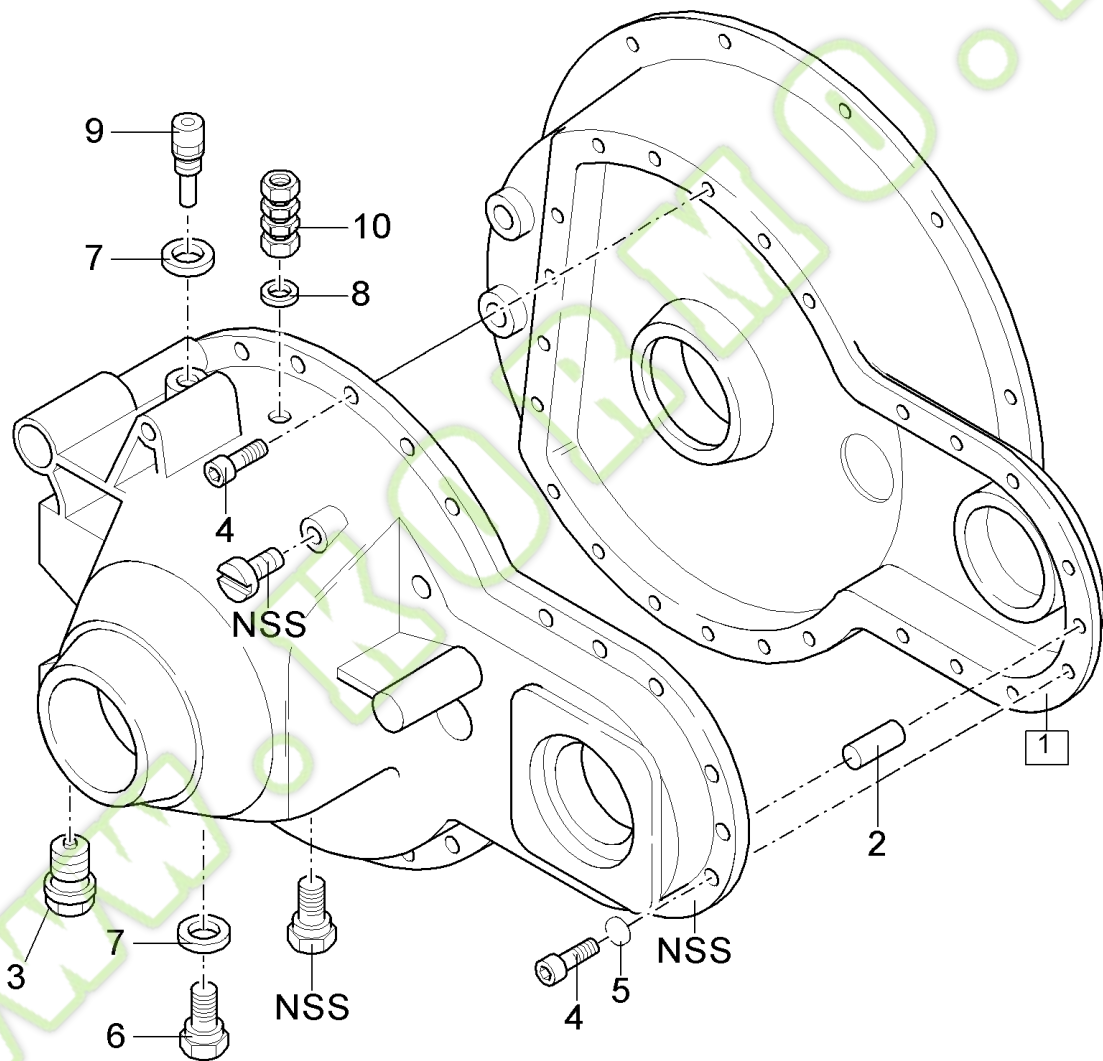
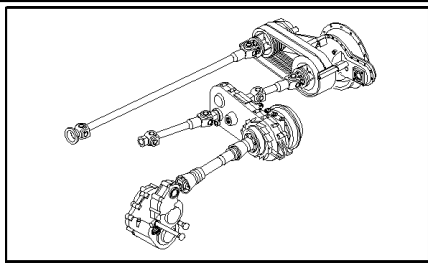


## FX48 SELF-PROPELLED FORAGE HARVESTER (9/98- )

## 02.06(01) MAIN DRIVE

Ref	Part Number	Qty	Description
1	220021	2	RING, {PP:80220021}
2	699613	2	BEARING ASSY, {PP:80699613}
3	84017728	1	PIN, ROLL,
4	84026074	1	RING,
5	89516483	1	HOUSING, BEARING,
6	43168	4	SCREW, {PP:80043168} Hex, M16 x 40, 8.8, Hex, M16 x 40, 8.8
7	140048	4	WASHER, LOCK, {PP:80140048} Belleville, M16, 16MM
8	89811516	1	SPACER,
9	382867	1	WASHER, LOCK, {PP:80382867}
10	9513020	1	NUT, {PP:89513020} M50x1.5
11	89811515	1	FLANGE,
12	412697	3	SCREW, {PP:80412697} Hex Soc Hd, M8 x 12, 8.8,
13	9811514	1	JOINT, UNIVERSAL, {PP:89811514}
14	89811517	1	FLANGE,
15	89811520	1	HOUSING, BEARING,
16	322358	6	WASHER, LOCK, {PP:80322358} Belleville, M8, 8MM
17	43128	6	SCREW, {PP:80043128} Hex, M8 x 30, 8.8, Cap, HH, CL 8.8, M8 x 1.25 x 30

02.07(01) MAIN DRIVE, GEARBOX

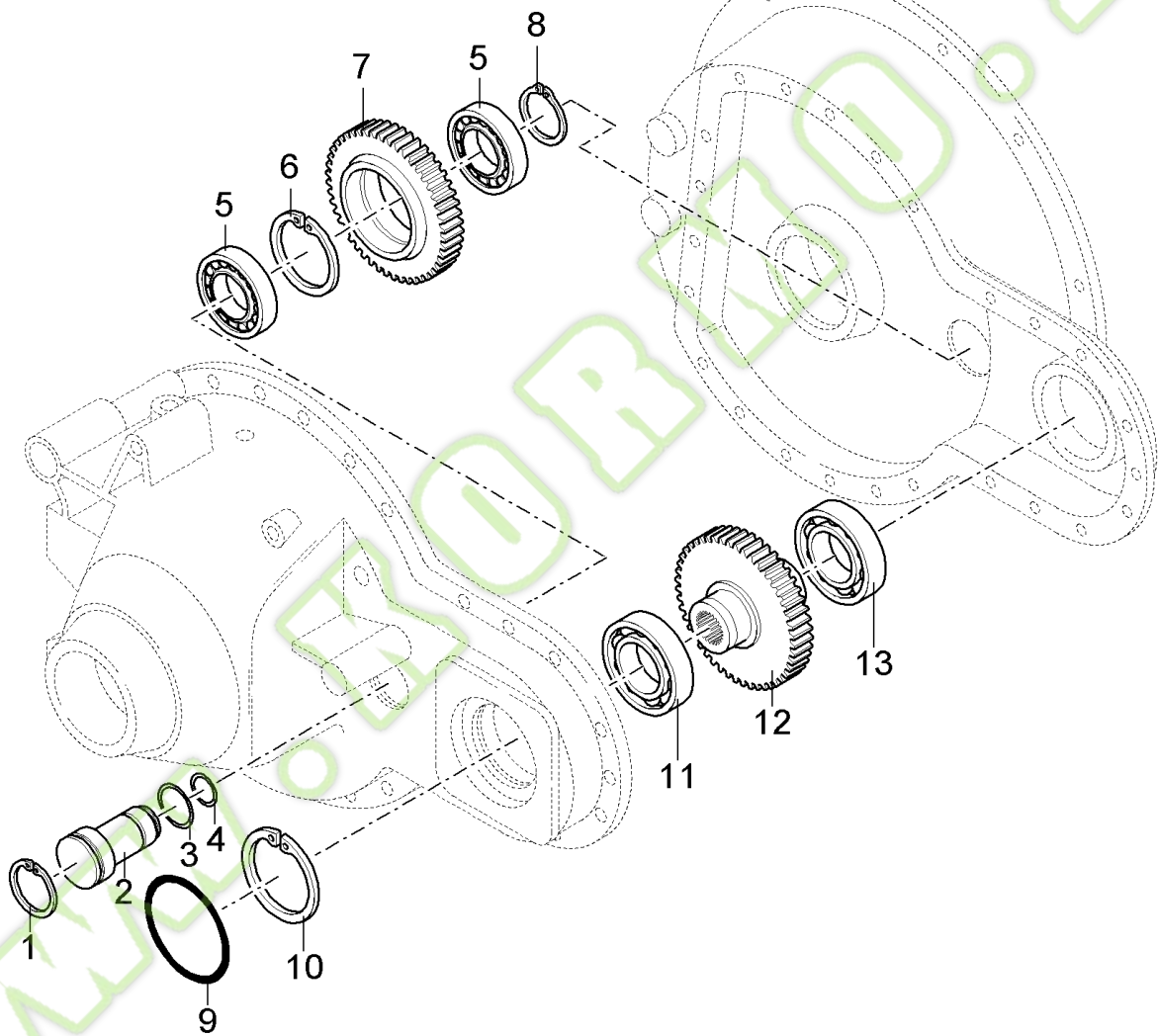
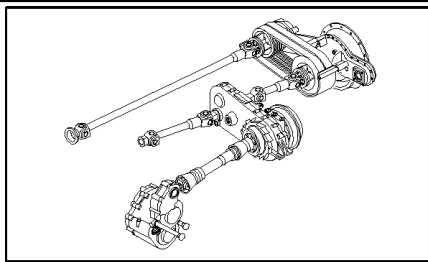


## FX48 SELF-PROPELLED FORAGE HARVESTER (9/98- )

## 02.07(01) MAIN DRIVE, GEARBOX

Ref	Part Number	Qty	Description
	89514958	1	GEARBOX, Incl.figs. 02.7 to 02.10, BSN C173
	84320147	1	GEARBOX, Incl.figs. 02.7 to 02.10, ASN D174
1	84021926	1	HOUSING, (2,4,5), BSN C173
1	84320149	1	HOUSING, (2,4,5), ASN D174
2	84021961	2	PIN, ROLL,
3	322062500	1	PLUG, Magnetic
4	120163	24	SCREW, {PP:80120163} Hex Soc Hd, M8 x 25, 8.8, M8x25
5	322358	AR	WASHER, LOCK, {PP:80322358} Belleville, M8, 8MM
6	84021927	1	PLUG,
7	84021928	1	RING,
8	220104	1	RING, {PP:80220104}
9	84021931	1	BREATHER,
10	84021932	1	CONNECTOR, HYD., , BSN C173

02.08(01) MAIN DRIVE, GEARBOX



## FX48 SELF-PROPELLED FORAGE HARVESTER (9/98- )

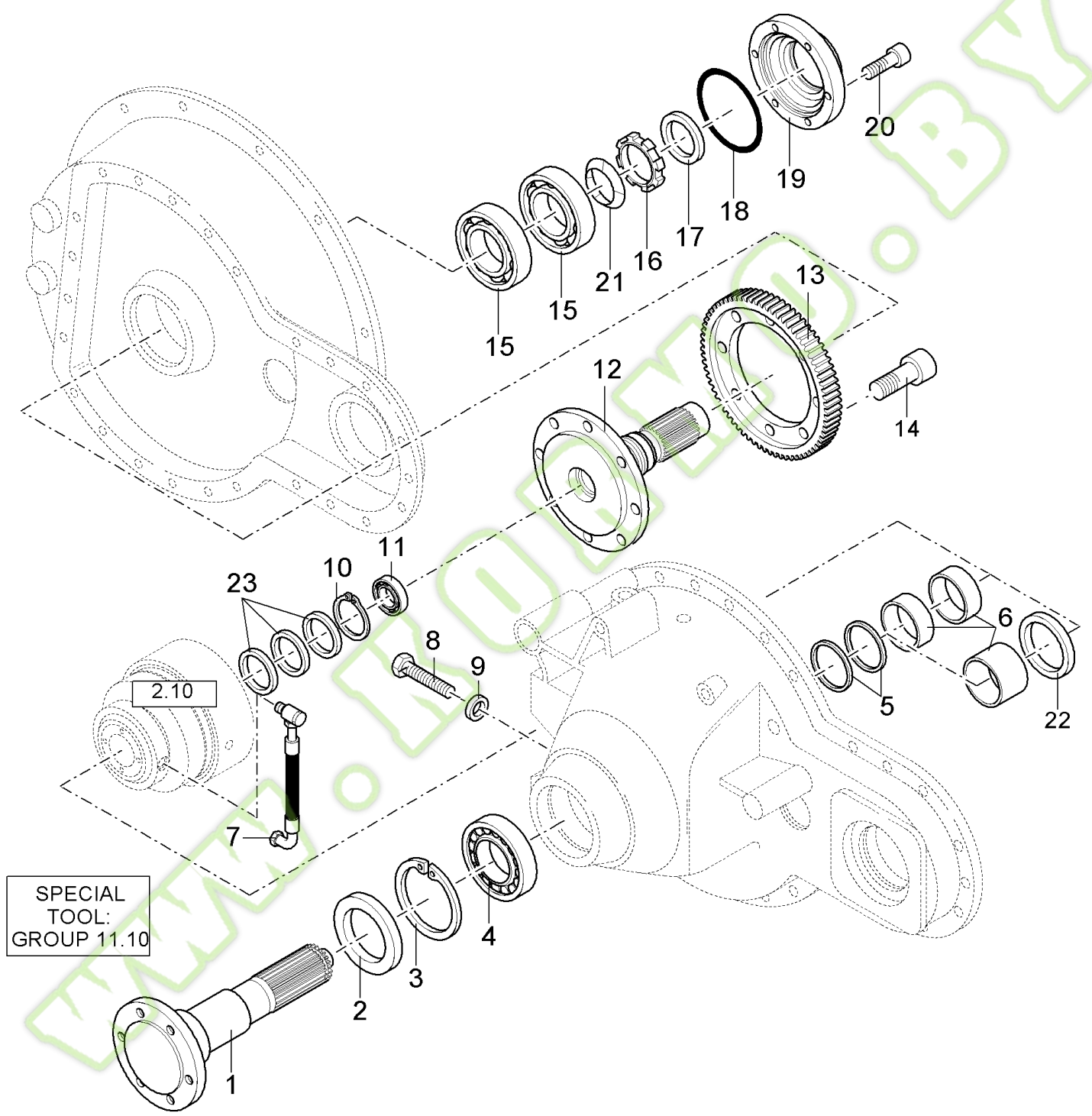
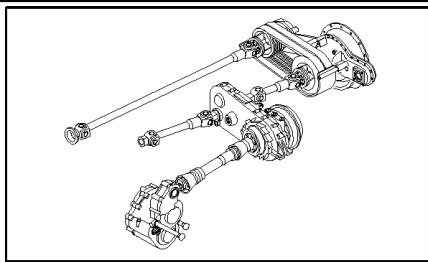
## 02.08(01) MAIN DRIVE, GEARBOX

Ref	Part Number	Qty	Description
1	758562	1	RING, {PP:80758562}
2	84021954	1	SPINDLE,
3	84021956	1	O-RING,
4	84021955	1	O-RING,
5	84021953	2	BEARING ASSY,
6	370013	1	RING, SNAP, {PP:80370013}
7	84021952	1	GEAR,
8	440442	1	CIRCLIP, {PP:80440442}
9	84021951	1	O-RING,
10	370026	1	CIRCLIP, {PP:80370026}
11	378724	1	BEARING ASSY, {PP:80378724}
12	84021950	1	GEAR,
13	327910	1	BEARING ASSY, {PP:80327910}

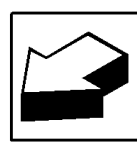
WWW.KORMO.BY



02.09(01) MAIN DRIVE, GEARBOX



SPECIAL TOOL: GROUP 11.10

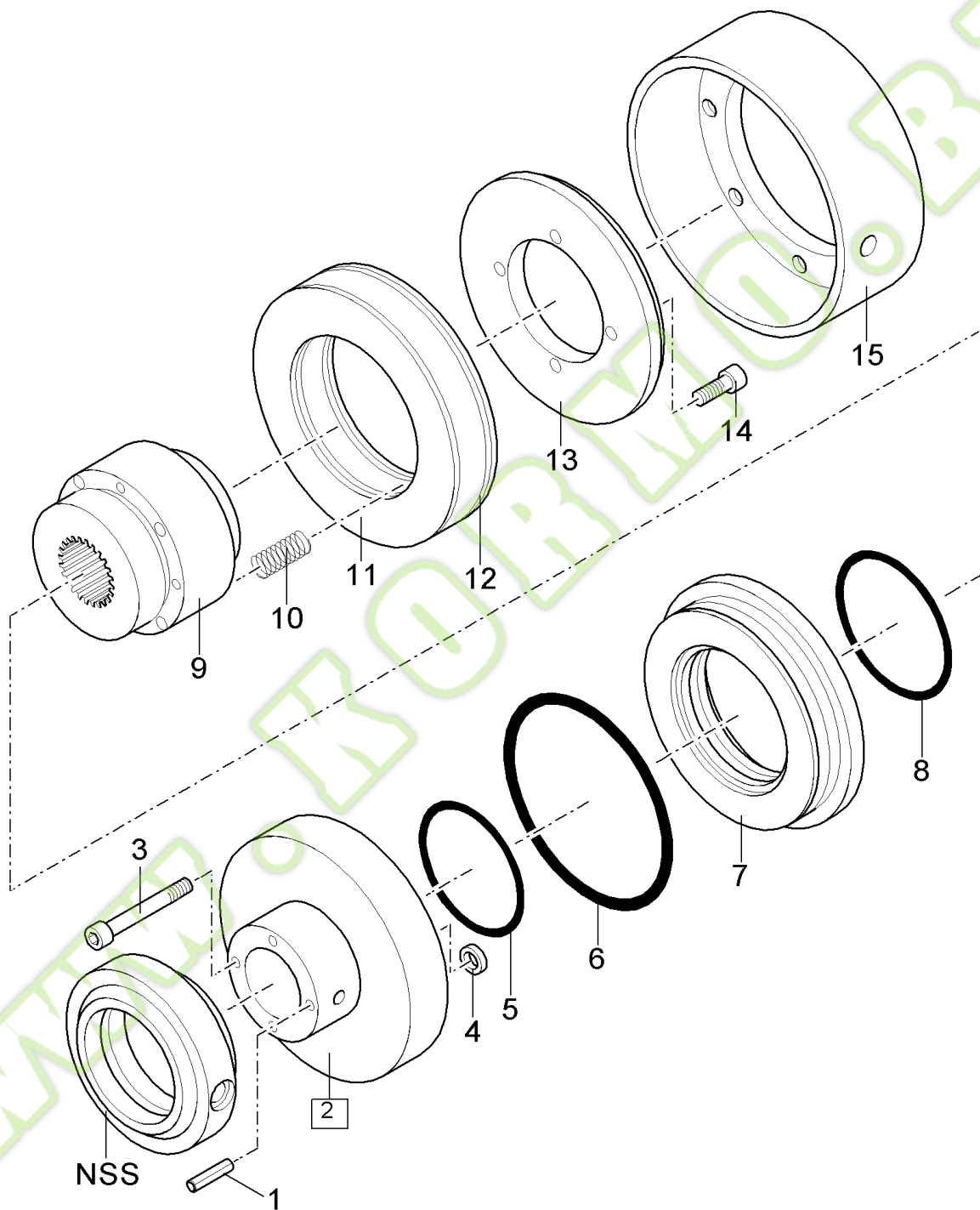
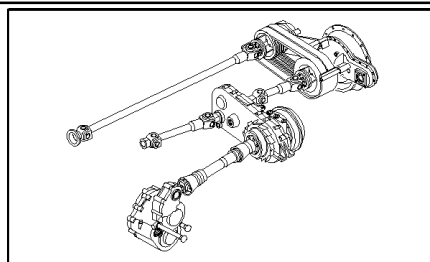


## FX48 SELF-PROPELLED FORAGE HARVESTER (9/98- )

## 02.09(01) MAIN DRIVE, GEARBOX

Ref	Part Number	Qty	Description
1	84021944	1	SHAFT, CONTROL,
2	84021949	1	RING,
3	301652	1	RING, SNAP, {PP:80301652}
4	84021946	1	BEARING ASSY,
5	556831	AR	SHIM, {PP:80556831}
6	84021947	2	BUSHING, , BSN C173
6	84429247	1	BUSHING, , ASN D174
7	84074169	1	HOSE, FLEXIBLE, , USE SPECIAL TOOL FOR MOUNTING, BSN C173
7	84320145	1	HOSE, FLEXIBLE, , USE SPECIAL TOOL FOR MOUNTING, ASN D174
8	86977775	1	SCREW, Hex, M10 x 60, 8.8, Full Thd, , BSN C173
8	309086	1	SCREW, {PP:80309086} Hex, M12 x 60, 8.8, Full Thd, , BSN F174201
8	84607596	1	SCREW, Hex Soc, M16 x 60, , ASN D202
9	84021930	1	RING, , BSN C173
9	84011379	1	RING, , BSN F174201
9	140020	1	WASHER, {PP:80140020} M16 x 30 x 3, 16MM, ASN D202
10	370008	1	CIRCLIP, {PP:80370008}
11	84021945	1	BEARING ASSY,
12	84021934	1	SHAFT, CONTROL,
13	84021935	1	GEAR,
14	84021936	8	SCREW,
15	84021937	2	BEARING ASSY,
16	84021938	1	NUT, M60x2
17	84021941	1	RING, OIL SCRAPER,
18	84021940	1	O-RING,
19	84021939	1	COVER,
20	120163	6	SCREW, {PP:80120163} Hex Soc Hd, M8 x 25, 8.8,
21	84023741	1	WASHER, LOCK,
22	84100556	1	WASHER, , ASN D174
23	539448	AR	SHIM, {PP:80539448} THK.: 0.1MM, ASN D174
23	539449	AR	SHIM, {PP:80539449} THK.: 0.3MM, ASN D174
23	539450	AR	PLATE, ADJUSTING, {PP:80539450} THK.: 0.5MM, ASN D174

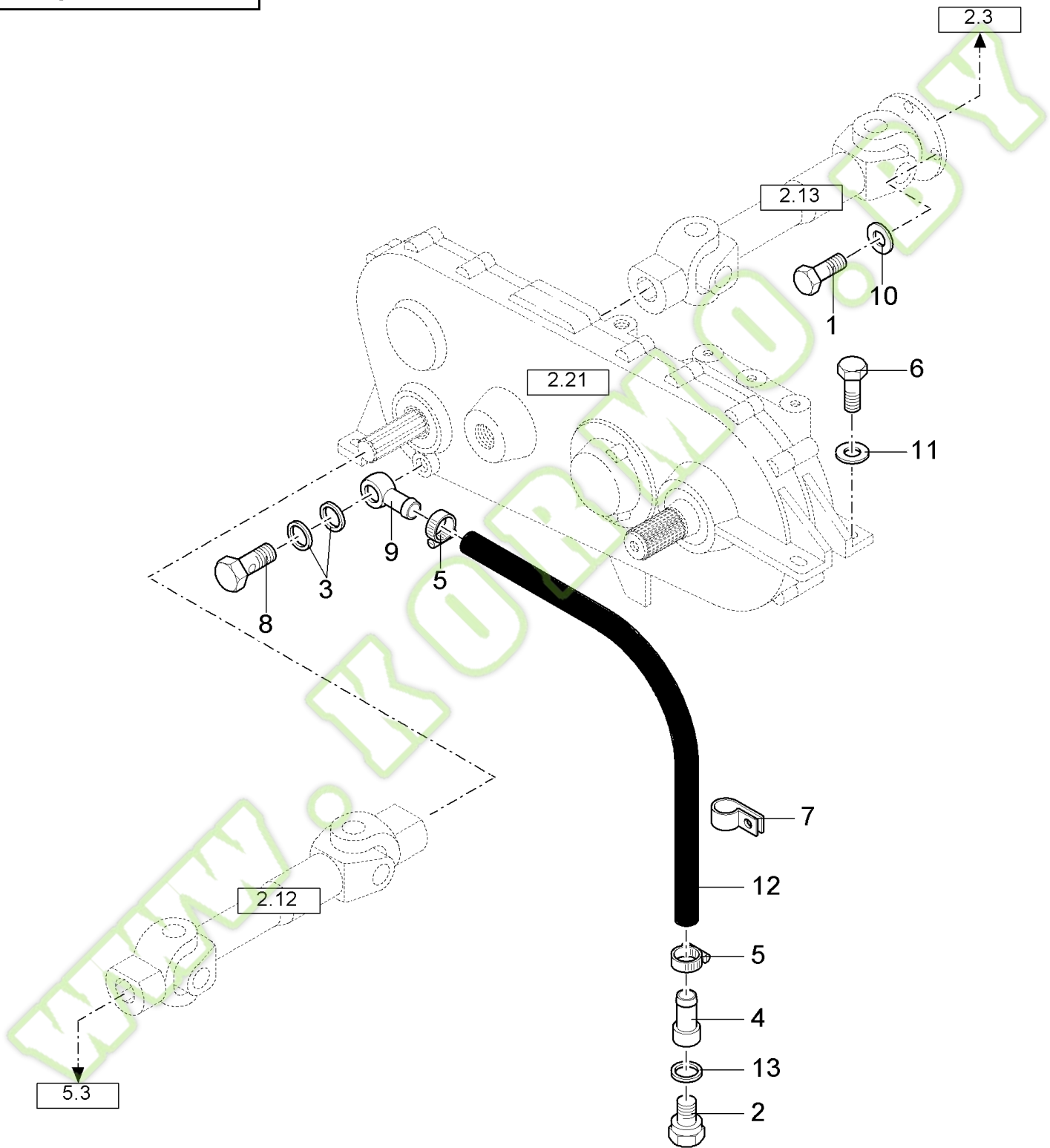
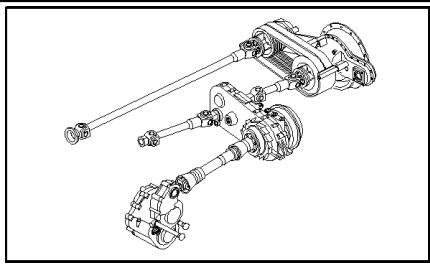
02.10(01) CLUTCH



## 02.10(01) CLUTCH

Ref	Part Number	Qty	Description
	84021942	1	CLUTCH, (1 to 15), USE SPECIAL TOOL (84074673) FOR MOUNTING, BSN C173
	84320148	1	CLUTCH, , USE SPECIAL TOOL (84074673) FOR MOUNTING, ASN D174
1	412688	2	PIN, {PP:80412688} M6 x 60, Slotted,
2	84032819	1	HOUSING, (NSS), BSN C173
2	84320533	1	HOUSING, (NSS), ASN D174
3	84023120	11	SCREW, M6x55
4	84023121	1	O-RING,
5	84023122	1	O-RING,
6	84023123	1	O-RING,
7	84023124	1	PLATE, CLUTCH, DRIVING,
8	84023144	1	O-RING,
9	84023143	1	HUB,
10	84023141	16	SPRING,
11	84023140	10	CLUTCH, PRESSURE PLATE,
12	84023730	9	CLUTCH, PRESSURE PLATE,
13	84023731	1	PLATE, CLUTCH, DRIVING,
14	84026103	12	SCREW, M6x16
15	84026104	1	HOUSING,

02.11(01) MAIN DRIVE



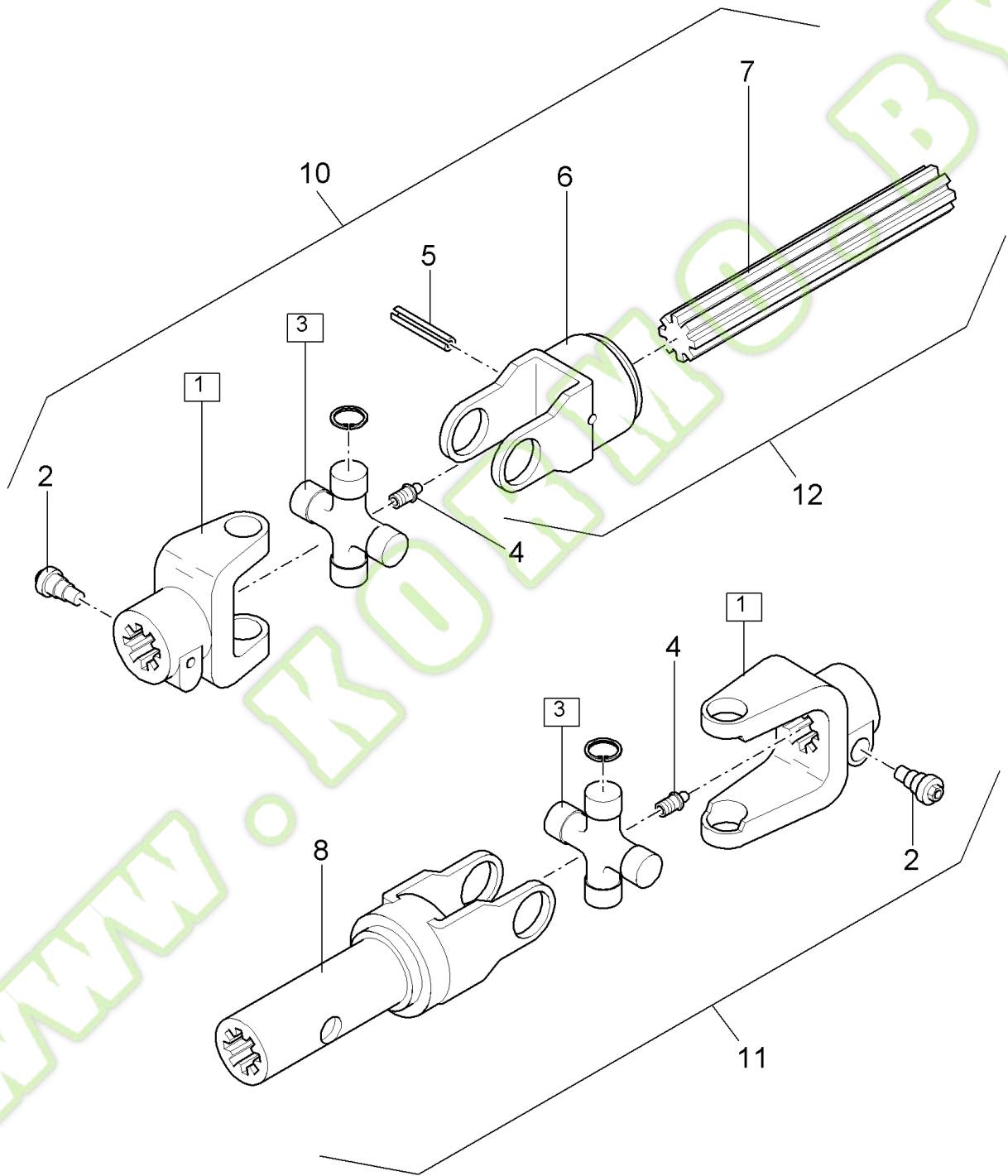
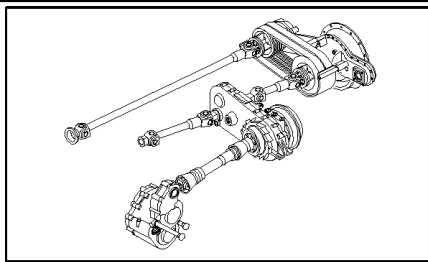
## FX48 SELF-PROPELLED FORAGE HARVESTER (9/98- )

## 02.11(01) MAIN DRIVE

Ref	Part Number	Qty	Description
1	43139	4	SCREW, {PP:80043139} Hex, M10 x 25, 8.8, Full Thd, M10x25
2	150060	1	PLUG, {PP:80150060}
3	220122	2	GASKET, {PP:80220122}
4	80326079	1	CONNECTOR, HYD.,
5	326082	2	CLAMP, {PP:80326082}
6	80337563	4	SCREW, M12Xx40
7	619284	1	CLAMP, {PP:80619284}
8	120258	1	SCREW, HOLLOW, {PP:80120258}
9	80326078	1	CONNECTOR, HYD.,
10	140045	4	WASHER, LOCK, {PP:80140045} Belleville, M10, 10MM
11	140046	4	WASHER, LOCK, {PP:80140046} Belleville, M12, 12MM
12	9516094	1	HOSE, {PP:89516094} L=2M
13	220122	1	GASKET, {PP:80220122} , BSN C213
13	9511034	1	GASKET, {PP:89511034} , ASN D214

WWW.KORMO.BY

02.12(01) POWER TAKE-OFF

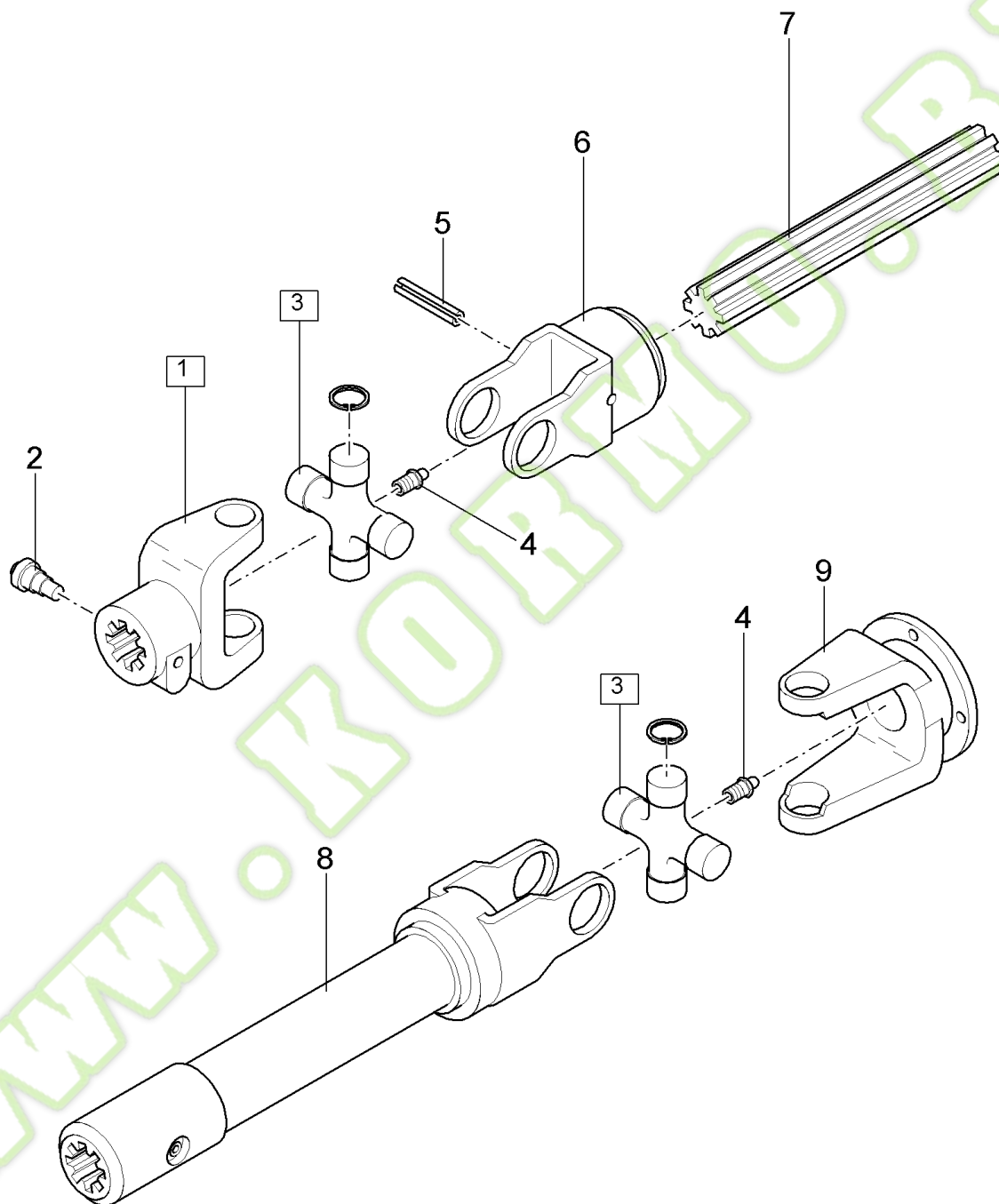
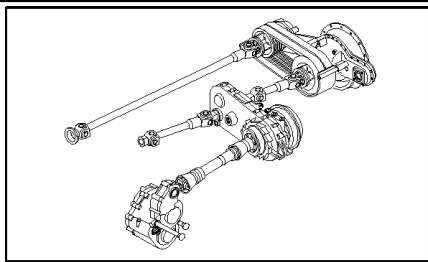


## FX48 SELF-PROPELLED FORAGE HARVESTER (9/98- )

## 02.12(01) POWER TAKE-OFF

Ref	Part Number	Qty	Description
	89833474	1	SHAFT, PTO, (1 to 8), FOR FX28-38-48 ONLY
	84031180	1	SHAFT, PTO, (1 to 7), FOR FX28-38-48 ONLY
	84031181	1	SHAFT, PTO, (1,3,8), FOR FX28-38-48 ONLY
	84031182	1	YOKE, (5 to 7), FOR FX28-38-48 ONLY
	84058804	1	SHAFT, PTO, , FOR FX58 ONLY
1	84031171	2	YOKE, (2), FOR FX28-38-48 ONLY
1	84801145	2	YOKE, (2), FOR FX58 ONLY
2	84031172	2	PIN, LOCK,
3	84031174	2	SPIDER, (4), FOR FX28-38-48 ONLY
3	84819703	2	SPIDER, (4), FOR FX58 ONLY
4	150024	2	NIPPLE, LUBE, {PP:80150024}
5	440437	1	PIN, ROLL, {PP:80440437} M10 x 80 Slotted, , FOR FX28-38-48 ONLY
5	84801149	1	PIN, ROLL, , FOR FX58 ONLY
6	84031176	1	YOKE, , FOR FX28-38-48 ONLY
6	84801148	1	YOKE, , FOR FX58 ONLY
7	84031183	1	SPINDLE, , FOR FX28-38-48 ONLY
7	84801150	1	SPINDLE, , FOR FX58 ONLY
8	84031184	1	YOKE, , FOR FX28-38-48 ONLY
8	84801151	1	YOKE, , FOR FX58 ONLY
10	84801143	1	YOKE, , FOR FX58 ONLY
11	84801144	1	YOKE, , FOR FX58 ONLY
12	84801147	1	YOKE, (5,6,7), FOR FX58 ONLY



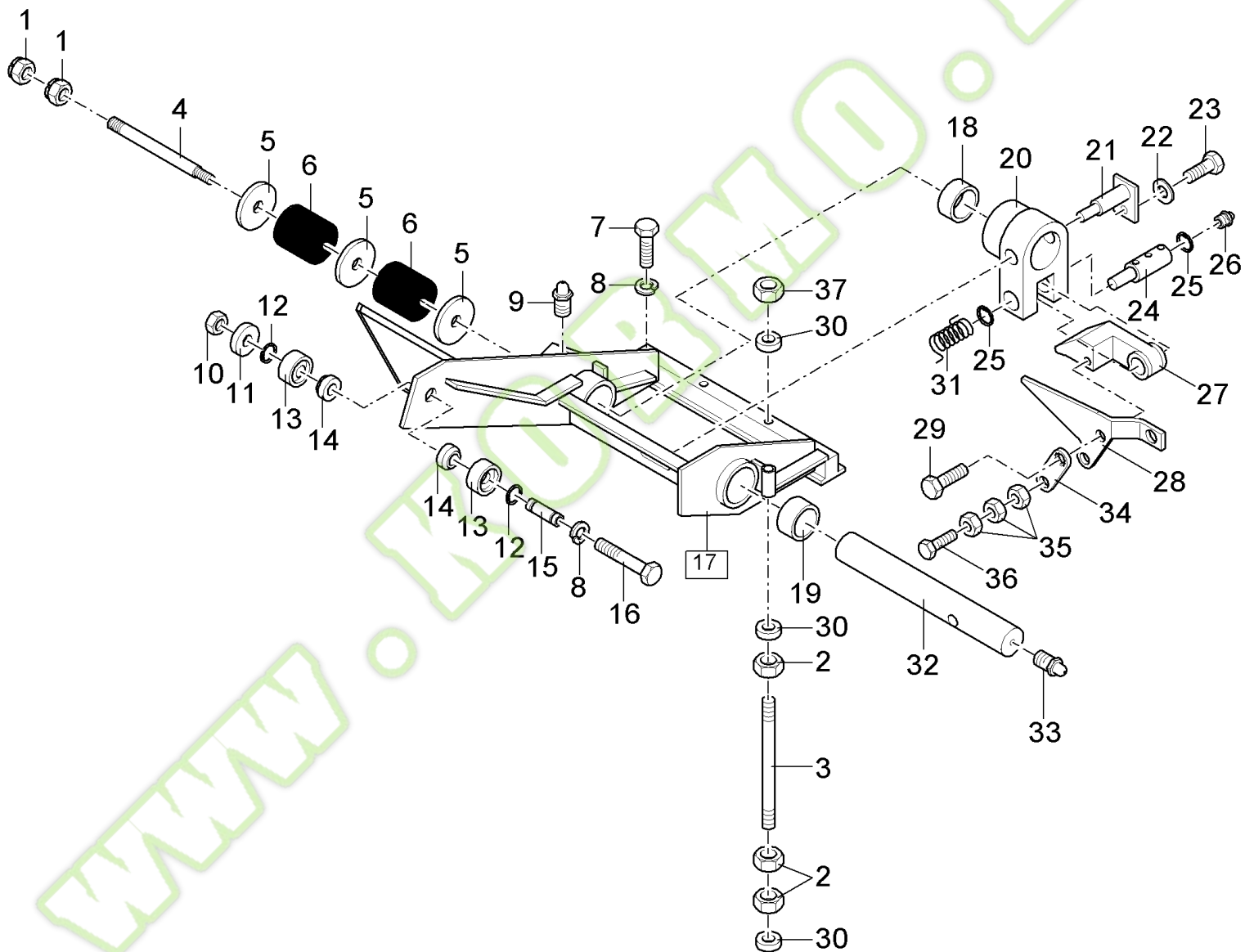
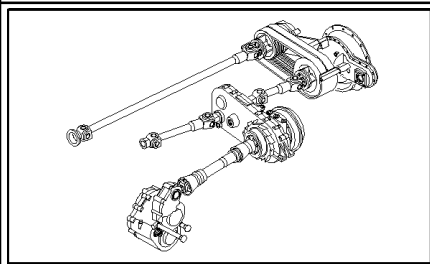


## FX48 SELF-PROPELLED FORAGE HARVESTER (9/98- )

02.13(01) POWER TAKE-OFF - FX28,38,48

Ref	Part Number	Qty	Description
	89833476	1	SHAFT, PTO, (1 to 9), FOR FX28-38-48 ONLY
	84031169	1	SHAFT, PTO, (1 to 7), FOR FX28-38-48 ONLY
	84031170	1	SHAFT, PTO, (3,8,9), FOR FX28-38-48 ONLY
	84031175	1	YOKE, (5 to 7), FOR FX28-38-48 ONLY
	84058805	1	SHAFT, PTO, , FOR FX58 ONLY, SUBPARTS NOT YET AVAILABLE
1	84031171	1	YOKE, (2), FOR FX28-38-48 ONLY
2	84031172	1	PIN, LOCK, , FOR FX28-38-48 ONLY
3	84031174	2	SPIDER, (4), FOR FX28-38-48 ONLY
4	150024	2	NIPPLE, LUBE, {PP:80150024} , FOR FX28-38-48 ONLY
5	440437	1	PIN, ROLL, {PP:80440437} M10 x 80 Slotted, , FOR FX28-38-48 ONLY
6	84031176	1	YOKE, , FOR FX28-38-48 ONLY
7	84031177	1	SHAFT, , FOR FX28-38-48 ONLY
8	84031178	1	YOKE, , FOR FX28-38-48 ONLY
9	84031173	1	YOKE, , FOR FX28-38-48 ONLY

02.14(01) STOP SYSTEM METAL DETECTOR

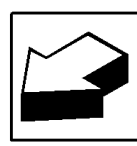
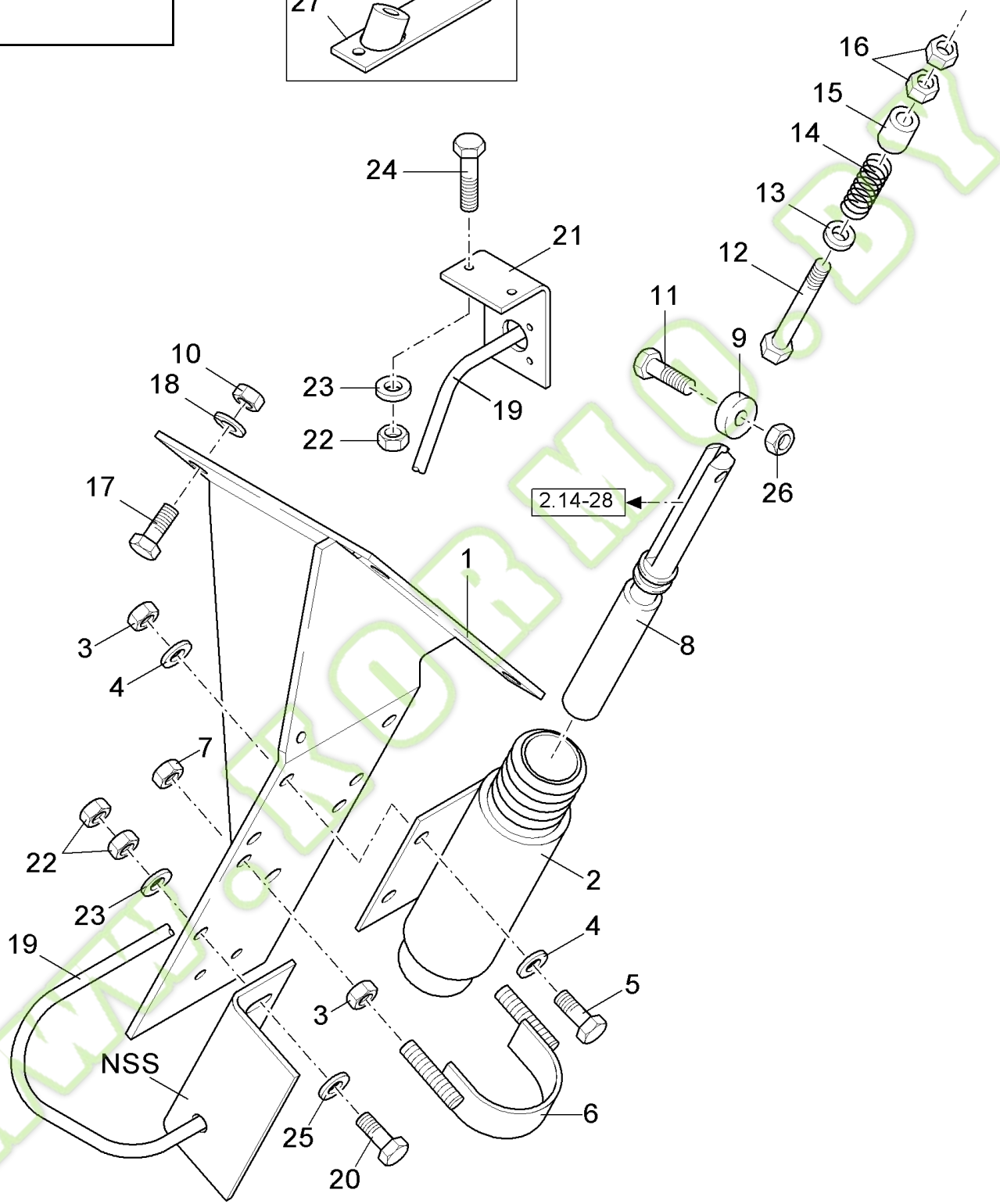
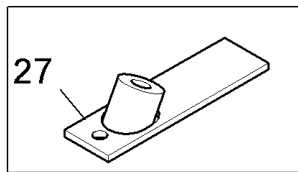
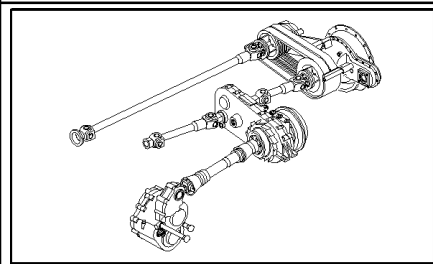


## FX48 SELF-PROPELLED FORAGE HARVESTER (9/98- )

## 02.14(01) STOP SYSTEM METAL DETECTOR

Ref	Part Number	Qty	Description
1	100085	2	NUT, {PP:80100085} M20 x 1.5, CI 8, M20
2	337475	1	NUT, {PP:80337475} M12, CI 10, M12
3	84039467	1	ROD, THREADED,
4	84039376	1	SHAFT, M20
5	84018062	3	WASHER,
6	612764	2	SPRING, {PP:80612764}
7	412085	3	SCREW, {PP:80412085} Hex, M12 x 80, 10.9, M12x80
8	140046	4	WASHER, LOCK, {PP:80140046} Belleville, M12, 12MM
9	321204	1	NIPPLE, LUBE, {PP:80321204}
10	337475	1	NUT, {PP:80337475} M12, CI 10, M12
11	80748068	1	WASHER,
12	370024	2	RING, SNAP, {PP:80370024}
13	84023168	2	RING,
14	84023169	2	RING,
15	84023167	1	BEARING, CAMSHAFT,
16	120183	1	SCREW, {PP:80120183} Hex, M12 x 90, 8.8, M12x90
17	84429903	1	SUPPORT, (18,19)
18	84007329	1	SLEEVE,
19	84007330	1	SLEEVE,
20	84023310	1	SUPPORT,
21	84023333	1	PIN,
22	322358	1	WASHER, LOCK, {PP:80322358} Belleville, M8, 8MM
24	84026851	1	PIN,
25	301644	2	RING, SNAP, {PP:80301644}
26	321204	1	NIPPLE, LUBE, {PP:80321204}
27	84041108	1	PAWL,
28	84036821	1	GUIDE, , BSN C127
28	84071117	1	GUIDE, , ASN D128
29	84039516	1	SCREW, Hex, M10 x 40, 8.8,
30	394630	3	WASHER, {PP:80394630}
31	84036950	1	SPRING,
32	84037316	1	SHAFT, M20
33	323713	1	NIPPLE, LUBE, {PP:80323713}
34	84038821	1	PLATE, LOCKING, , BSN C127
34	84071076	1	PLATE, LOCKING, , ASN D128
35	353308	3	NUT, {PP:80353308} M6 x 1, CI 8, M6, BSN C127
35	89837227	2	NUT, , ASN D128
36	43117	1	SCREW, {PP:80043117} Hex, M6 x 30, 8.8, M6x30, BSN C127
36	80412160	1	BOLT, M10x30, ASN D128
37	100038	1	NUT, LOCK, {PP:80100038} M12 x 1.75, CI 8, M12
23	16043224	1	SCREW, Hex, M8 x 16, 8.8, Full Thd, M8x16

02.15(01) STOP SYSTEM METAL DETECTOR

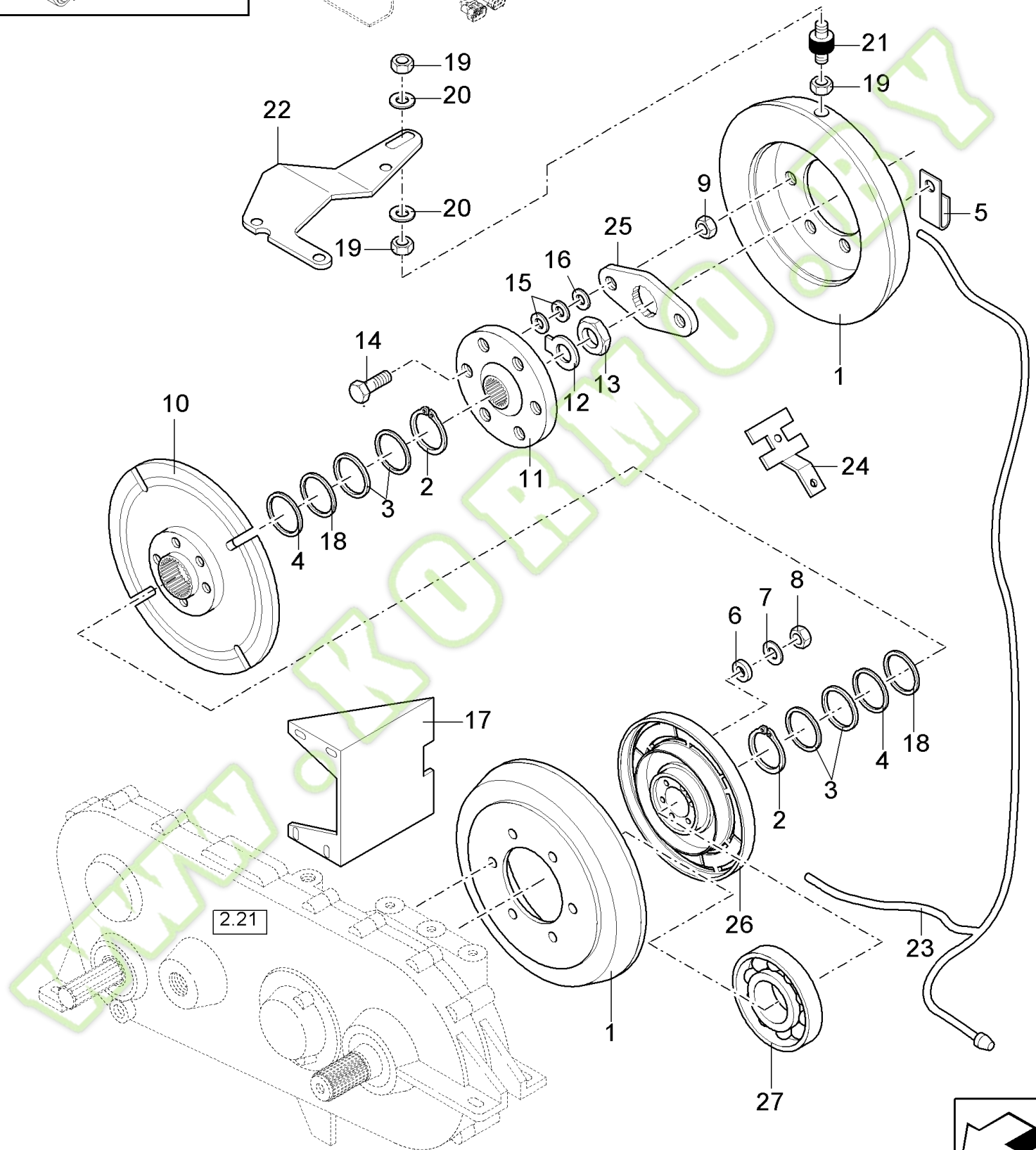
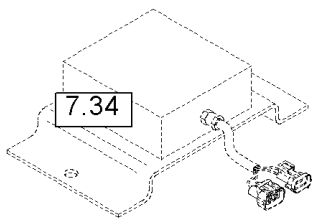
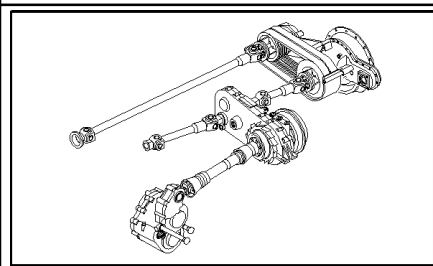


## FX48 SELF-PROPELLED FORAGE HARVESTER (9/98- )

## 02.15(01) STOP SYSTEM METAL DETECTOR

Ref	Part Number	Qty	Description
1	84036823	1	SUPPORT,
2	84038194	1	ELECTROMAGNET,
3	100015	6	NUT, {PP:80100015} M8, CI 8, M8
4	322358	8	WASHER, LOCK, {PP:80322358} Belleville, M8,
5	43128	4	SCREW, {PP:80043128} Hex, M8 x 30, 8.8, Cap, HH, CL 8.8, M8 x 1.25 x 30
6	84039226	1	CLAMP,
7	43442	2	NUT, {PP:80043442} M8 x 1.25", CI 8, M8
8	84036999	1	SHAFT,
9	84037173	1	ROLLER,
10	100037	3	NUT, {PP:80100037} M10 x 1.5, CI 8, M10
11	386045	1	SCREW, {PP:80386045} Hex, M8 x 45, 8.8, M8x45, BSN C173
11	385772	1	BOLT, {PP:80385772} Hex, M8 x 35, 10.9, M8x35, ASN D174
12	120073	1	SCREW, {PP:80120073} Hex, M10 x 80, 8.8, M10x80, BSN C173
12	120074	1	SCREW, {PP:80120074} Hex, M10 x 90, 8.8, M10x90, ASN D174
13	378244	1	WASHER, LOCK, {PP:80378244} 10MM
14	320502	1	SPRING, {PP:80320502}
15	9514390	1	RING, {PP:89514390} , BSN C173
16	100016	2	NUT, {PP:80100016} M10, CI 8, M10
17	120112	3	SCREW, {PP:80120112} Hex, M10 x 40, 8.8, Full Thd, M10x40
18	140045	3	WASHER, LOCK, {PP:80140045} Belleville, M10, 10MM
19	84035132	1	HARNESS, WIRE, (NSS)
20	120101	2	SCREW, {PP:80120101} Hex, M6 x 30, 8.8, Full Thd, M6x30
21	84039350	1	BRACKET,
22	9706755	2	NUT, {PP:89706755} M6, CI 8, M6
23	322357	2	WASHER, LOCK, {PP:80322357} Belleville, M6, Belleville, M6
24	120100	2	BOLT, {PP:80120100} Hex, M6 x 20, 8.8, M6x20
25	140015	2	WASHER, {PP:80140015} 6MM
26	43442	1	NUT, {PP:80043442} M8 x 1.25", CI 8, , BSN C173
26	43362	2	NUT, {PP:80043362} M8, CI 10, , ASN D174
27	84432089	1	PLATE, , BSN C163

02.16(01) REVERSING CLUTCH



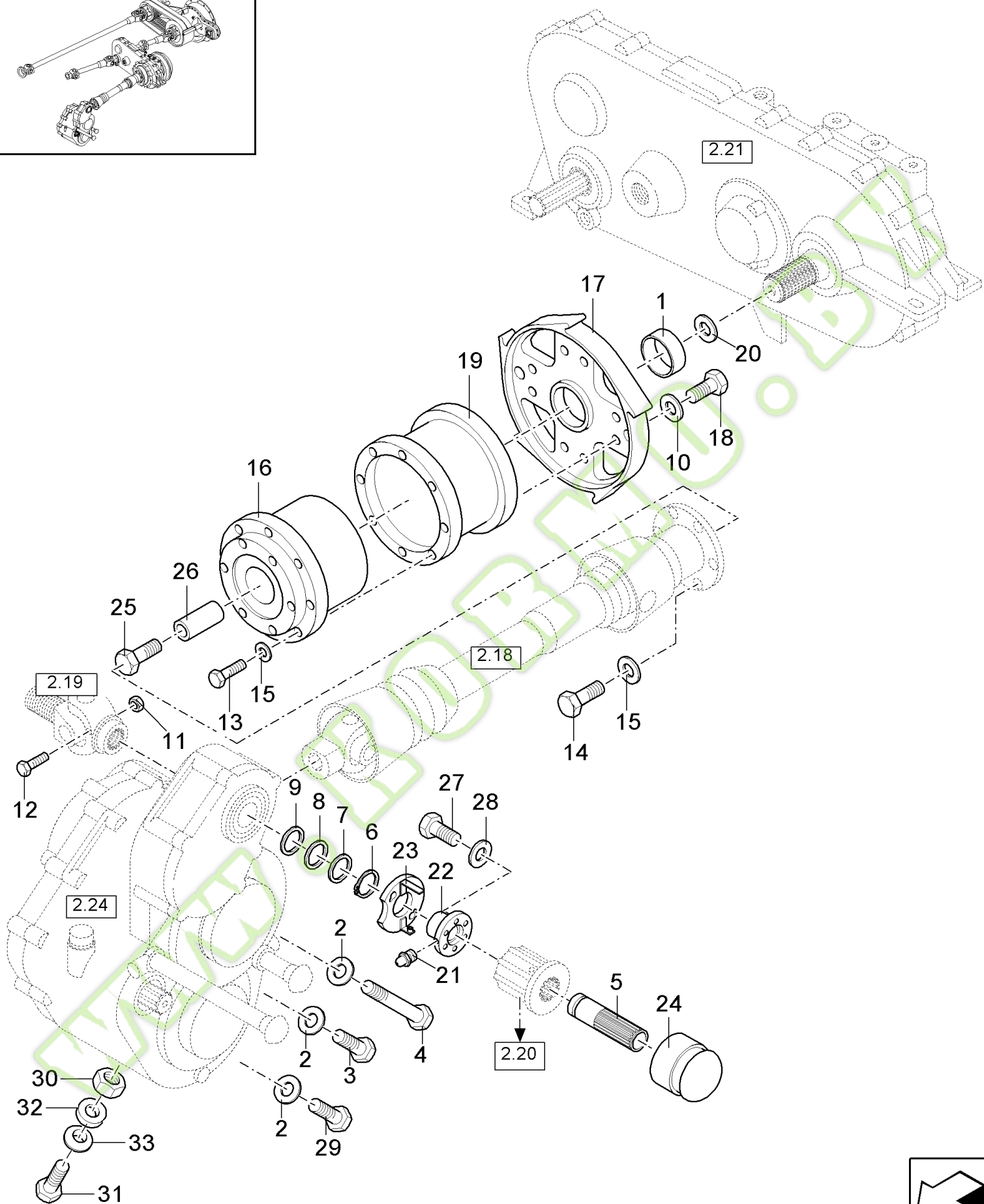
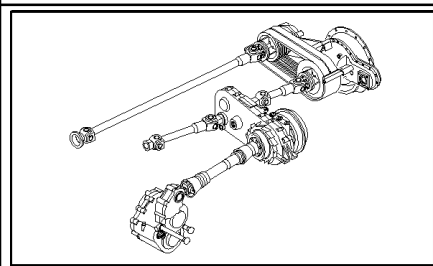
## FX48 SELF-PROPELLED FORAGE HARVESTER (9/98- )

## 02.16(01) REVERSING CLUTCH

Ref	Part Number	Qty	Description
	84062314	1	CLUTCH, (1,10,26)
1	84058013	2	MAGNET, Front
1	84058015	1	MAGNET, Back
2	327911	2	CIRCLIP, {PP:80327911}
3	84005650	AR	PLATE, ADJUSTING, THK.:0.5MM
4	84005649	AR	SHIM, THK.:1.5MM
5	134578	1	CLIP, {PP:80134578}
6	378245	4	WASHER, {PP:80378245}
7	140046	8	WASHER, LOCK, {PP:80140046} Belleville, M12, 12MM
8	337475	8	NUT, {PP:80337475} M12, CI 10, M12
9	100016	1	NUT, {PP:80100016} M10, CI 8,
10	84058014	1	PLATE, MAGNET,
11	84045123	1	HUB,
12	80717363	1	WASHER,
13	412321	2	NUT, {PP:80412321} M26 x 1.5, CI 8, M26x1.5
14	84062222	6	SCREW, Hex, M10 x 45, 8.8, Full Thd, M10x50
15	84058025	AR	SHIM, THK.:0.38MM
16	84058024	AR	SHIM, THK.:1.5MM
17	84041520	1	SHIELD,
18	84058023	AR	SHIM, THK.:0.2MM
19	100015	3	NUT, {PP:80100015} M8, CI 8, M8
20	412650	2	WASHER, LOCK, {PP:80412650} Belleville, M8, 8MM
21	393802	1	SHOCK ABSORBER, {PP:80393802}
22	84056784	1	PLATE,
23	84064100	1	HARNESS, WIRE,
24	84032700	1	SUPPORT,
25	84062167	1	PLATE, LOCKING,
26	84068744	1	ROTOR,
27	84100276	1	BEARING ASSY,



02.17(01) MAIN DRIVE

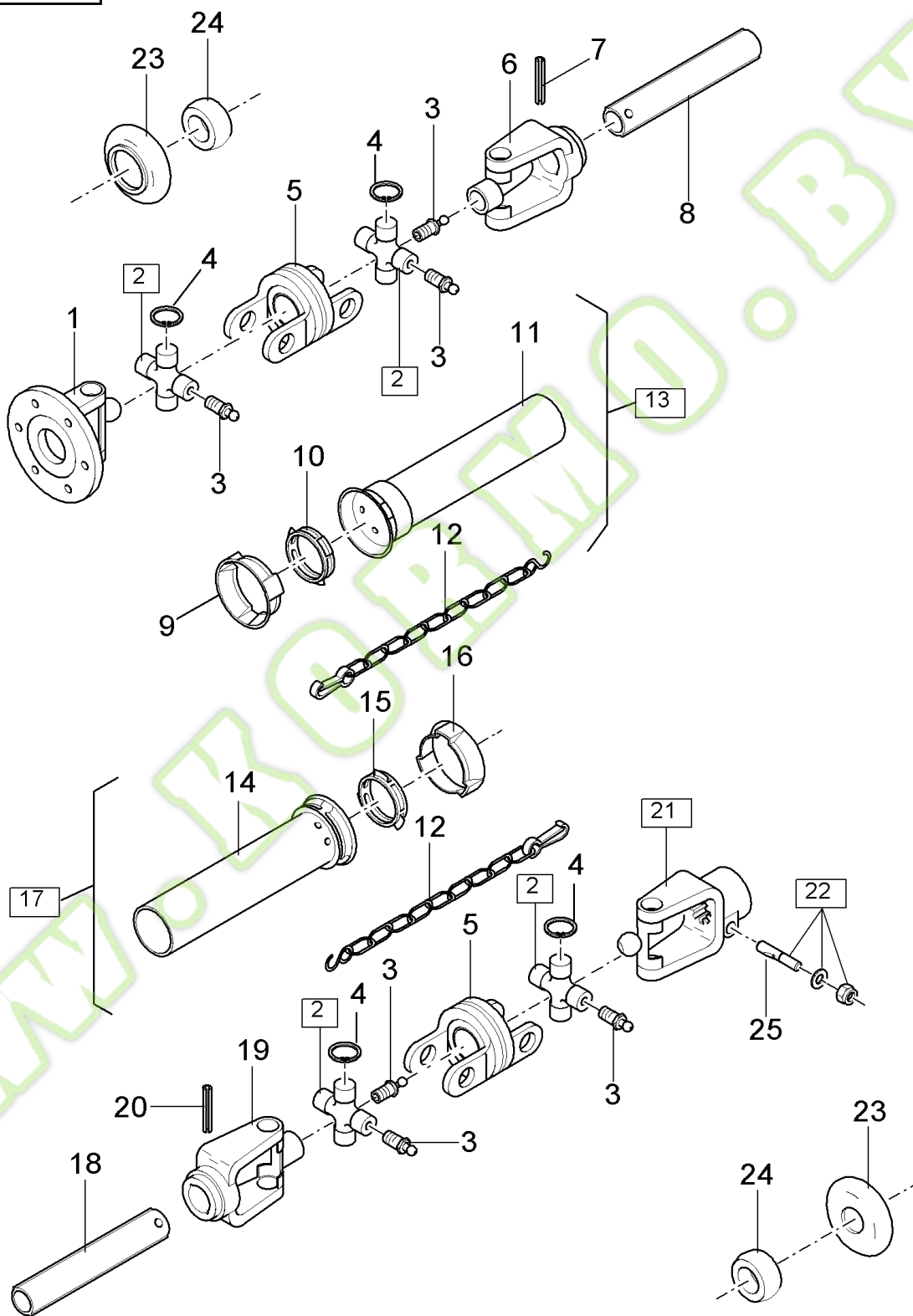
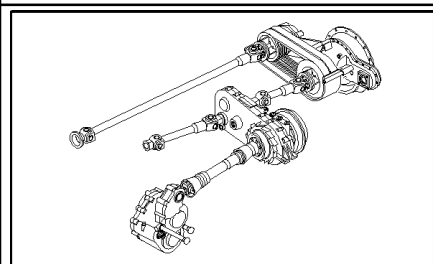


## FX48 SELF-PROPELLED FORAGE HARVESTER (9/98- )

## 02.17(01) MAIN DRIVE

Ref	Part Number	Qty	Description
1	84005391	1	SLEEVE,
2	394631	5	WASHER, {PP:80394631}
3	80334967	1	SCREW, M16x140, BSN C213
3	362573	1	SCREW, {PP:80362573} Hex, M16 x 150, 8.8, M16x150, ASN D214
4	86508585	1	SCREW, Hex, M16 x 190, 8.8, M16x190
5	84032461	1	SHAFT, , BSN C151
5	84320190	1	SHAFT, , ASN D152
6	370004	1	CIRCLIP, {PP:80370004}
7	140119	AR	WASHER, {PP:80140119}
8	80922593	AR	PLATE, ADJUSTING,
9	58630	AR	SHIM, {PP:80058630}
10	394630	8	WASHER, {PP:80394630} 12MM
11	43442	1	NUT, {PP:80043442} M8 x 1.25", CI 8, M8
12	120062	1	SCREW, {PP:80120062} Hex, M8 x 70, 8.8, M8x70
13	86629541	8	BOLT, Hex, M12 x 40, 8.8, Full Thd, M12x40
14	9706687	6	SCREW, {PP:89706687} Hex, M12 x 30, 8.8, M12x30
15	140046	14	WASHER, LOCK, {PP:80140046} Belleville, M12, 12MM
16	84021378	1	CLUTCH, , SUBPARTS NOT SERVICED
17	84039377	1	RATCHET,
18	80379753	8	SCREW, M12x35
19	84019941	1	HUB,
20	84032576	1	RING,
21	321204	1	NIPPLE, LUBE, {PP:80321204}
22	84032460	1	HUB,
23	84039428	1	PLATE,
24	84039430	1	COVER,
25	86508581	1	SCREW, Hex, M12 x 90, 8.8, M12x90
26	84038406	1	BEARING, CAMSHAFT,
27	84053582	6	SCREW,
28	322358	6	WASHER, LOCK, {PP:80322358} Belleville, M8,
29	354360	1	SCREW, {PP:80354360} Hex, M16 x 130, 8.8, M16x130
30	100020	2	NUT, {PP:80100020} M16, CI 8, M16, CI 8
31	412587	1	SCREW, {PP:80412587} Hex, M16 x 90, 8.8, Full Thd, M16x90
32	84053239	2	RING,
33	84053238	2	WASHER,

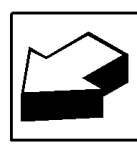
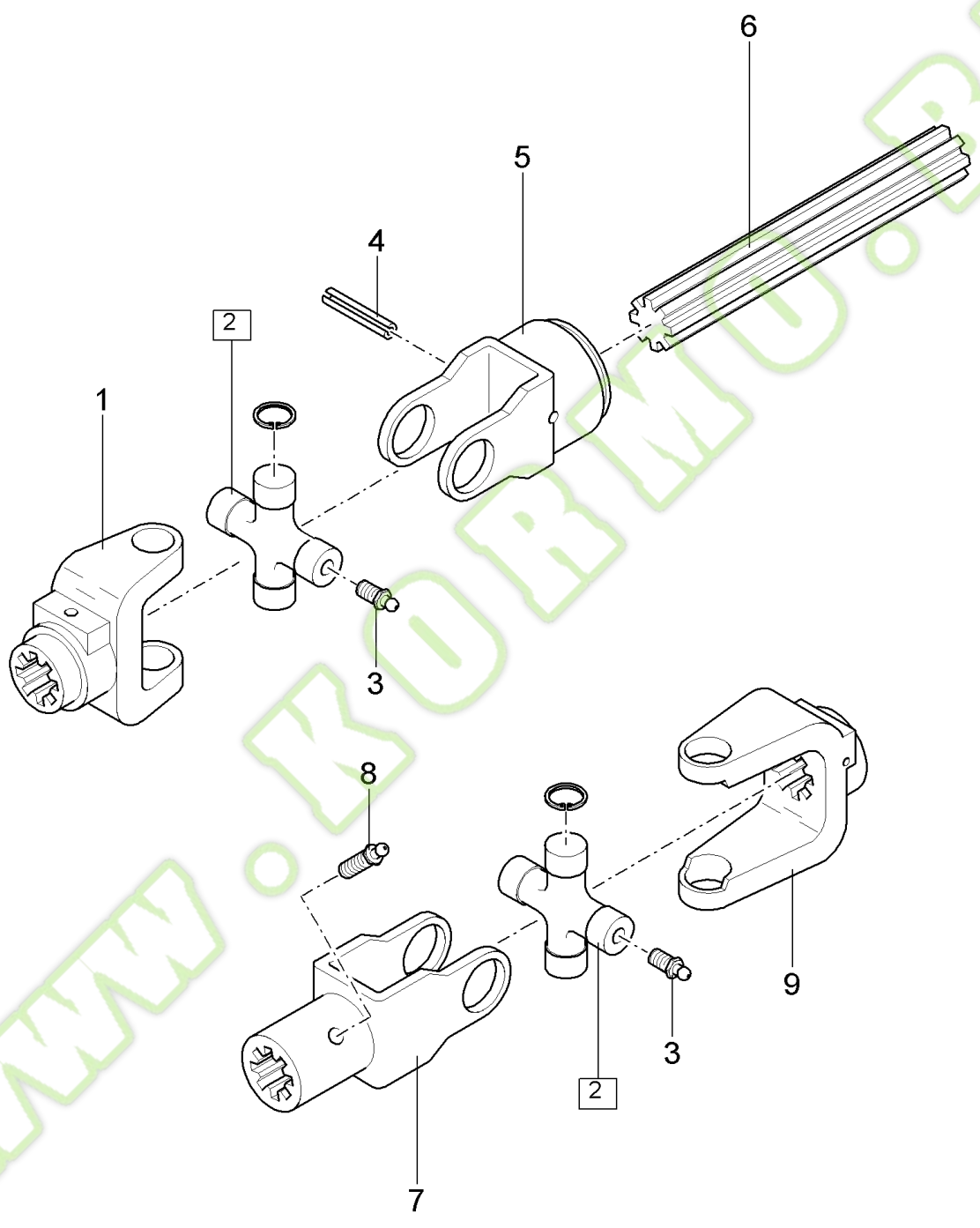
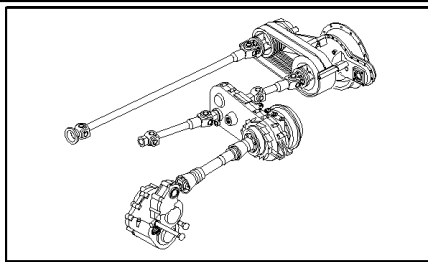
02.18(01) POWER TAKE-OFF



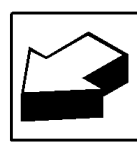
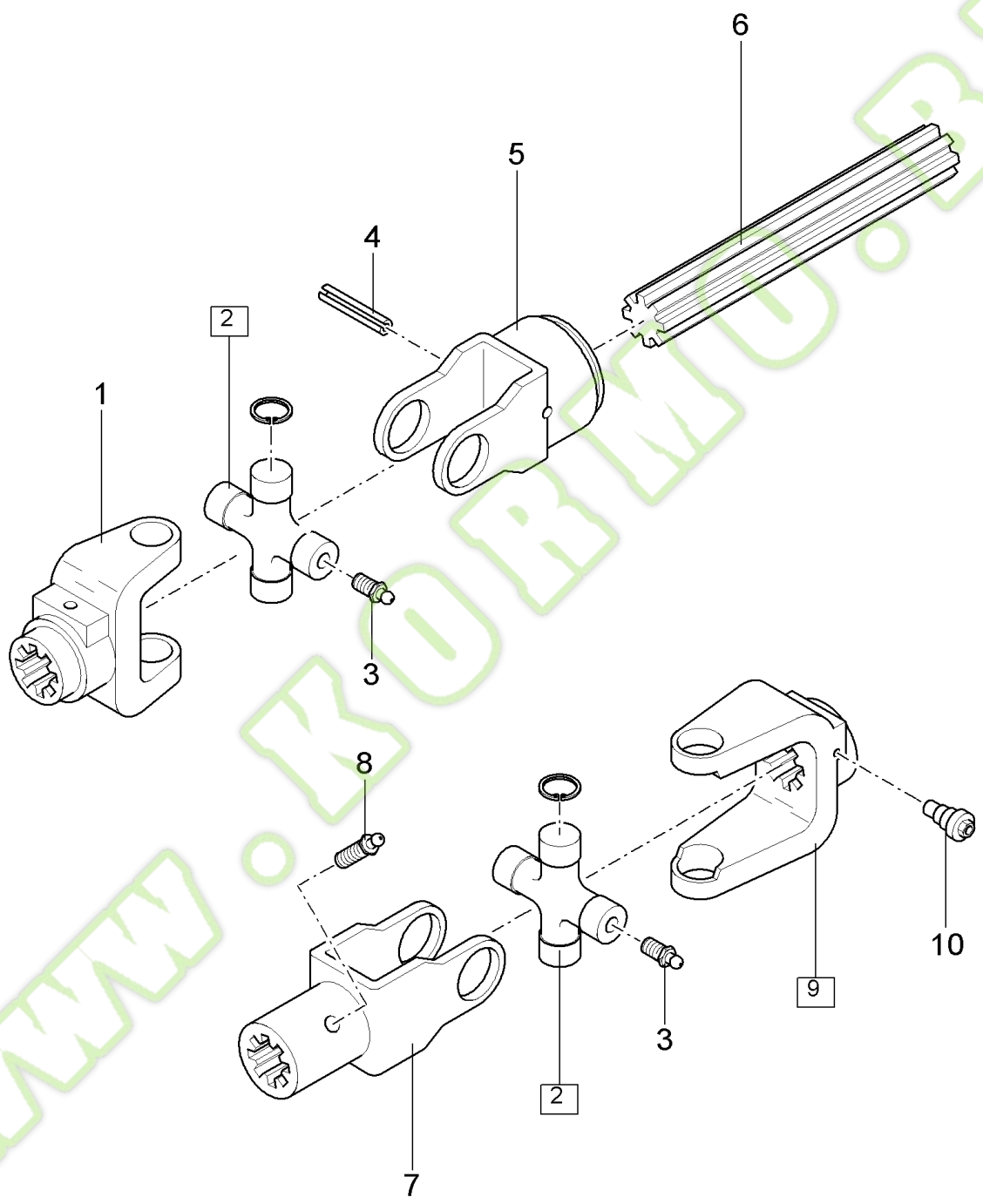
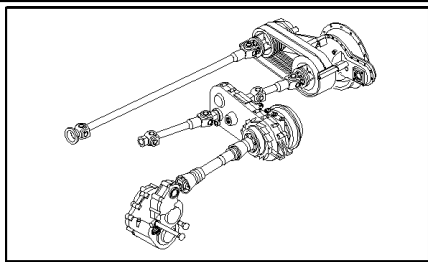
## FX48 SELF-PROPELLED FORAGE HARVESTER (9/98- )

## 02.18(01) POWER TAKE-OFF

Ref	Part Number	Qty	Description
	84056951	1	SHAFT, PTO,
	84074575	1	SHAFT, PTO, (1 to 13,23,24)
	84074576	1	SHAFT, PTO, (2 to 5,12,14 to 24)
1	84068127	1	YOKE,
2	84074564	4	SPIDER, (3,4)
3	380429	18	NIPPLE, LUBE, {PP:80380429}
4	84036362	16	CIRCLIP,
5	84074565	2	YOKE,
6	84074566	1	YOKE,
7	62218	1	PIN, {PP:80062218} M10 x 75, Slotted,
8	84068125	1	TUBE,
9	84074569	1	RING,
10	84036372	1	RING,
11	84068128	1	PROTECTING COVER,
12	84036378	2	CHAIN,
13	84074577	1	PROTECTING COVER, (9 to 12)
14	84068129	1	PROTECTING COVER,
15	84036377	1	EXTENSION,
16	84074570	1	RING,
17	84074578	1	PROTECTING COVER, (12,14 to 16)
18	84068126	1	TUBE,
19	84074567	1	YOKE,
20	84036368	1	PIN,
21	84068124	1	YOKE, (22)
22	84068563	1	BOLT AND NUT, (25)
23	84074568	2	PROTECTING COVER,
24	84074571	2	BALL,
25	84074572	1	PIN,



Ref	Part Number	Qty	Description
	84043070	1	SHAFT, PTO, (1 to 9), BSN C151
	84045705	1	SHAFT, PTO, HALF,(1 to 6)
	84031269	1	SHAFT, PTO, HALF(2,7 to 9)
	84031273	1	YOKE, (4 to 6)
1	84045706	1	YOKE,
2	84031272	2	SPIDER, (3)
3	321204	4	NIPPLE, LUBE, {PP:80321204}
4	440437	1	PIN, ROLL, {PP:80440437} M10 x 80 Slotted,
5	84031274	1	YOKE,
6	84031275	1	SHAFT,
7	84031276	1	YOKE, (8)
8	84031277	1	NIPPLE, LUBE,
9	84031271	1	YOKE,



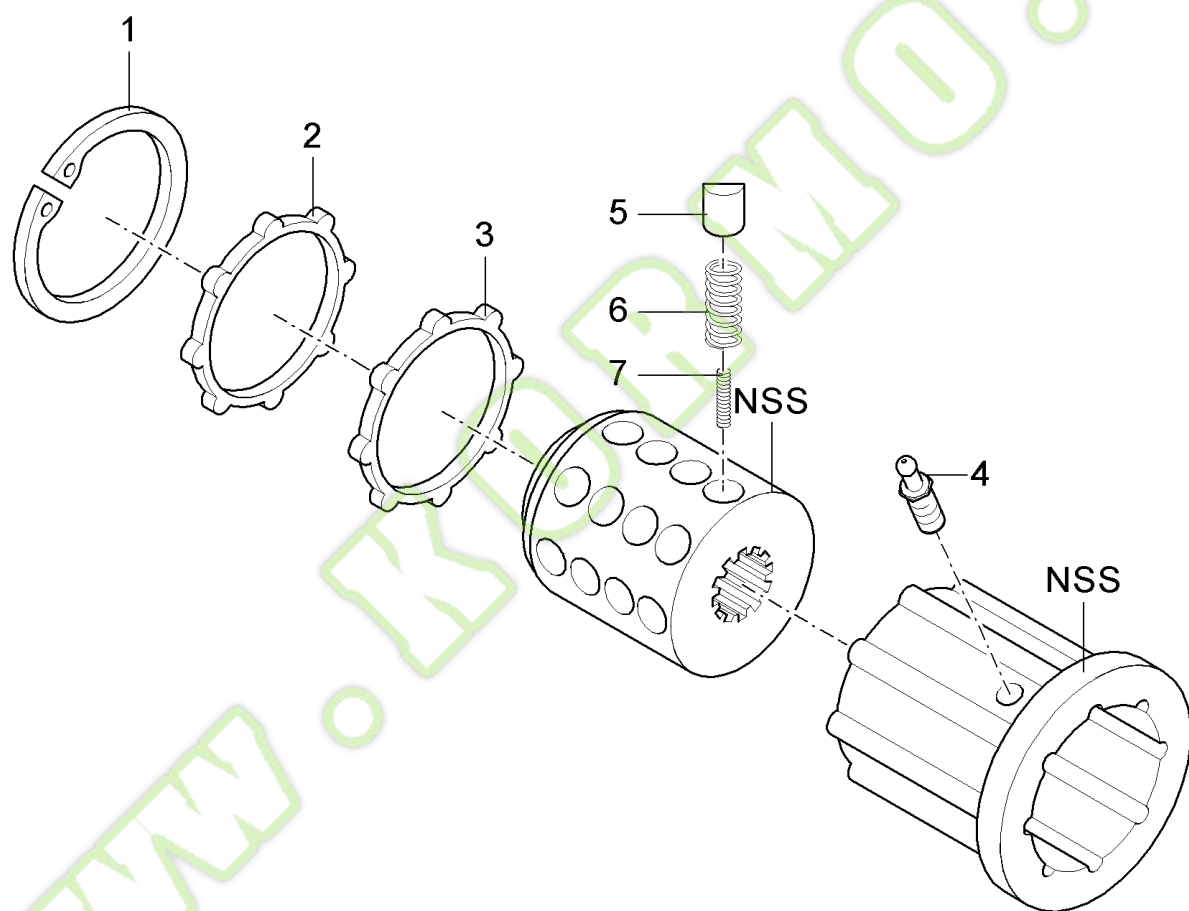
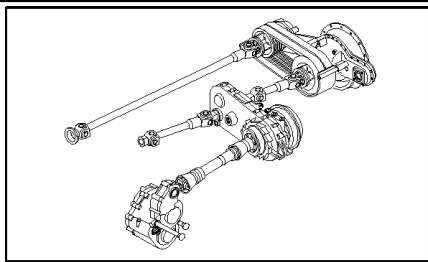
## FX48 SELF-PROPELLED FORAGE HARVESTER (9/98- )

## 02.19A(01) POWER TAKE-OFF - D152

Ref	Part Number	Qty	Description
	84100033	1	SHAFT, PTO, (1 to 10)
	84801179	1	YOKE, (1 to 6)
	84801180	1	YOKE,
	84801184	1	SHAFT, (4 to 6)
1	84801181	1	YOKE,
2	84801183	2	SPIDER, (3)
3	750236	4	NIPPLE, LUBE, {PP:80750236}
4	412690	1	PIN, LOCK, {PP:80412690} M10 x 65, Slotted,
5	84817831	1	YOKE,
6	84801185	1	SHAFT,
7	84031276	1	YOKE, (8)
8	300919	1	NIPPLE, LUBE, {PP:80300919}
9	84801182	1	YOKE, (10)
10	84031172	1	PIN, LOCK,



02.20(01) CLUTCH ASSEMBLY

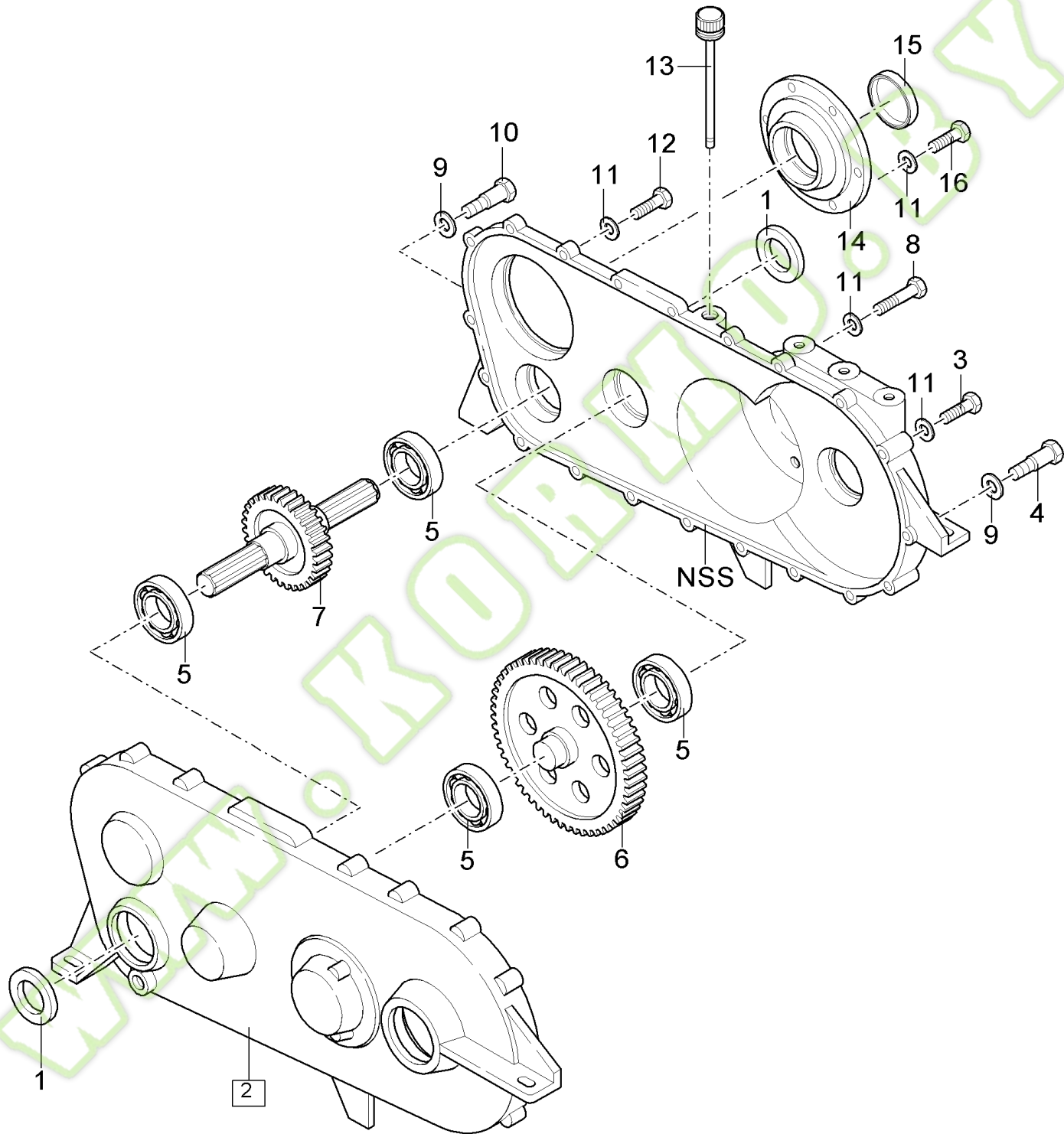
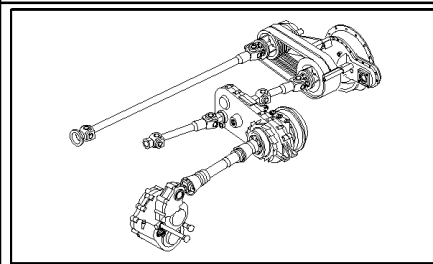


## 02.20(01) CLUTCH ASSEMBLY

Ref	Part Number	Qty	Description
	84058742	1	CLUTCH, (1 to 7)
1	80300633	1	RING, SNAP,
2	411960	1	RING, {PP:80411960}
3	411959	1	RING, {PP:80411959}
4	300919	1	NIPPLE, LUBE, {PP:80300919}
5	386509	32	CAM, {PP:80386509}
6	386510	32	SPRING, {PP:80386510}
7	386511	23	SPRING, {PP:80386511}

WWW.KORMO.BY

02.21(01) STANDARD REVERSE GEARBOX

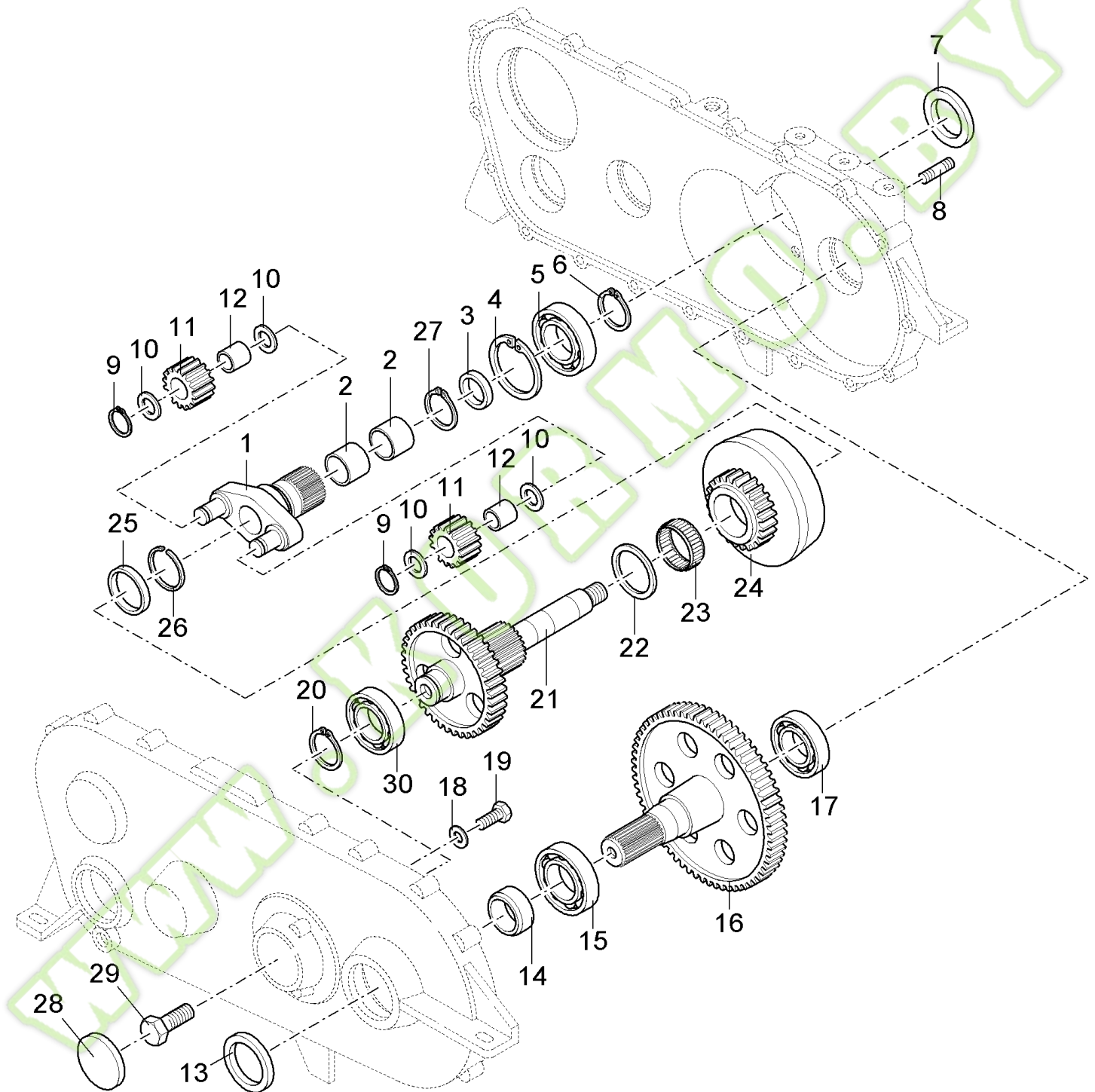
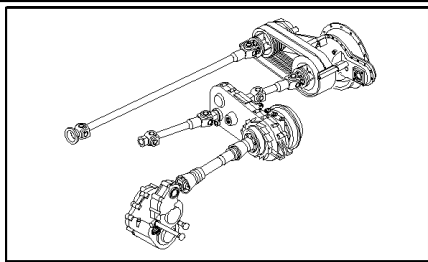


## FX48 SELF-PROPELLED FORAGE HARVESTER (9/98- )

## 02.21(01) STANDARD REVERSE GEARBOX

Ref	Part Number	Qty	Description
	84037969	1	GEARBOX, Incl. figs 2.22
1	84041899	2	RING, OIL SCRAPER,
2	84038081	1	GEARBOX, , INCLUDES 2 HALVES
3	80120061	3	SCREW, M8x60
4	84005607	1	SCREW, Hex, M8 x 60, 8.8, M8x9
5	301164	4	BEARING ASSY, {PP:80301164}
6	89833768	1	GEAR,
7	89833765	1	SHAFT,
8	120062	2	SCREW, {PP:80120062} Hex, M8 x 70, 8.8, M8x70
9	84019410	2	WASHER,
10	84000985	1	SCREW, Hex, M8 x 35, 10.9, Full Thd, M8x9
11	322358	10	WASHER, LOCK, {PP:80322358} Belleville, M8, 8MM
12	300381	13	SCREW, {PP:80300381} Hex, M8 x 35, 8.8, M8x35
13	84045840	1	INDICATOR,
14	89833783	1	CAP, FLANGE COVER,
15	84005692	1	CAP, FLANGE COVER,
16	43127	6	BOLT, {PP:80043127} Hex, M8 x 25, 8.8, M8x25

02.22(01) STANDARD REVERSE GEARBOX

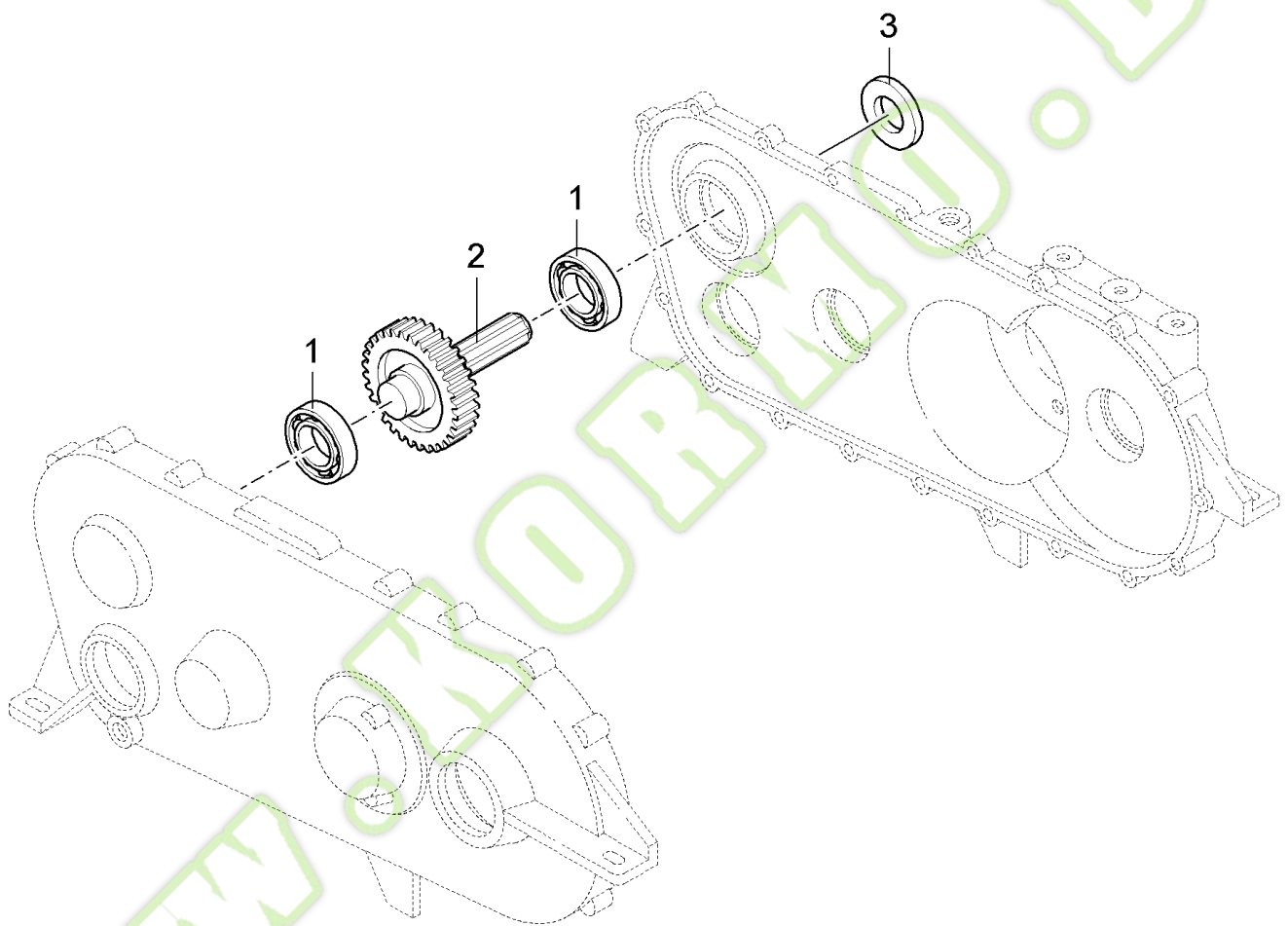
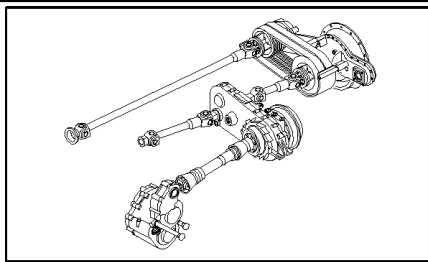


## FX48 SELF-PROPELLED FORAGE HARVESTER (9/98- )

## 02.22(01) STANDARD REVERSE GEARBOX

Ref	Part Number	Qty	Description
1	84037973	1	SHAFT,
2	80535318	2	BUSHING, , NOT USED ON GEARBOX SERIAL NUMBER xxxxxE
2	419621	2	SLEEVE, {PP:80419621} , USED ON GEARBOX SERIAL NUMBER xxxxxE
3	84041902	1	ELEMENT, SEALING, 45 x 35 x 7
3	444355	1	SEAL, {PP:80444355} 43 x 35 x 4
4	370013	1	RING, SNAP, {PP:80370013}
5	84037967	1	BEARING ASSY,
6	327911	1	CIRCLIP, {PP:80327911}
7	84041900	1	RING, OIL SCRAPER,
8	430945	4	STUD, {PP:80430945}
9	370024	2	RING, SNAP, {PP:80370024}
10	84005625	4	WASHER,
11	89833775	2	GEAR, , NOT USED ON GEARBOX SERIAL NUMBER xxxxxE
11	84058624	2	GEAR, Includes bushing, USED ON GEARBOX SERIAL NUMBER xxxxxE
12	84005674	2	SLEEVE, , NOT USED ON GEARBOX SERIAL NUMBER xxxxxE
12	NSS	2	NOT SERVICED SEPARATELY, Bushing, USED ON GEARBOX SERIAL NUMBER xxxxxE
13	84017986	1	ELEMENT, SEALING,
14	84005677	1	BUSHING,
15	440395	1	BEARING ASSY, {PP:80440395}
16	89833776	1	GEAR,
17	301164	1	BEARING ASSY, {PP:80301164}
18	322358	3	WASHER, LOCK, {PP:80322358} Belleville, M8, 8MM
19	80120104	3	SCREW, M8x20
20	84037972	1	CIRCLIP,
21	84037970	1	GEAR,
22	84005660	1	RING,
23	84005624	1	BEARING ASSY,
24	89833771	1	GEAR, RING,
25	89833772	1	RING,
26	84005626	1	RING, SNAP,
27	84037855	1	CIRCLIP,
28	84005692	1	CAP, FLANGE COVER,
29	84037971	1	SCREW, Hex Soc Flat Hd, M12 x 25, 8.8, M12x25
30	323327	1	BEARING ASSY, {PP:80323327}

02.23(01) HIGH BLOWER SPEED

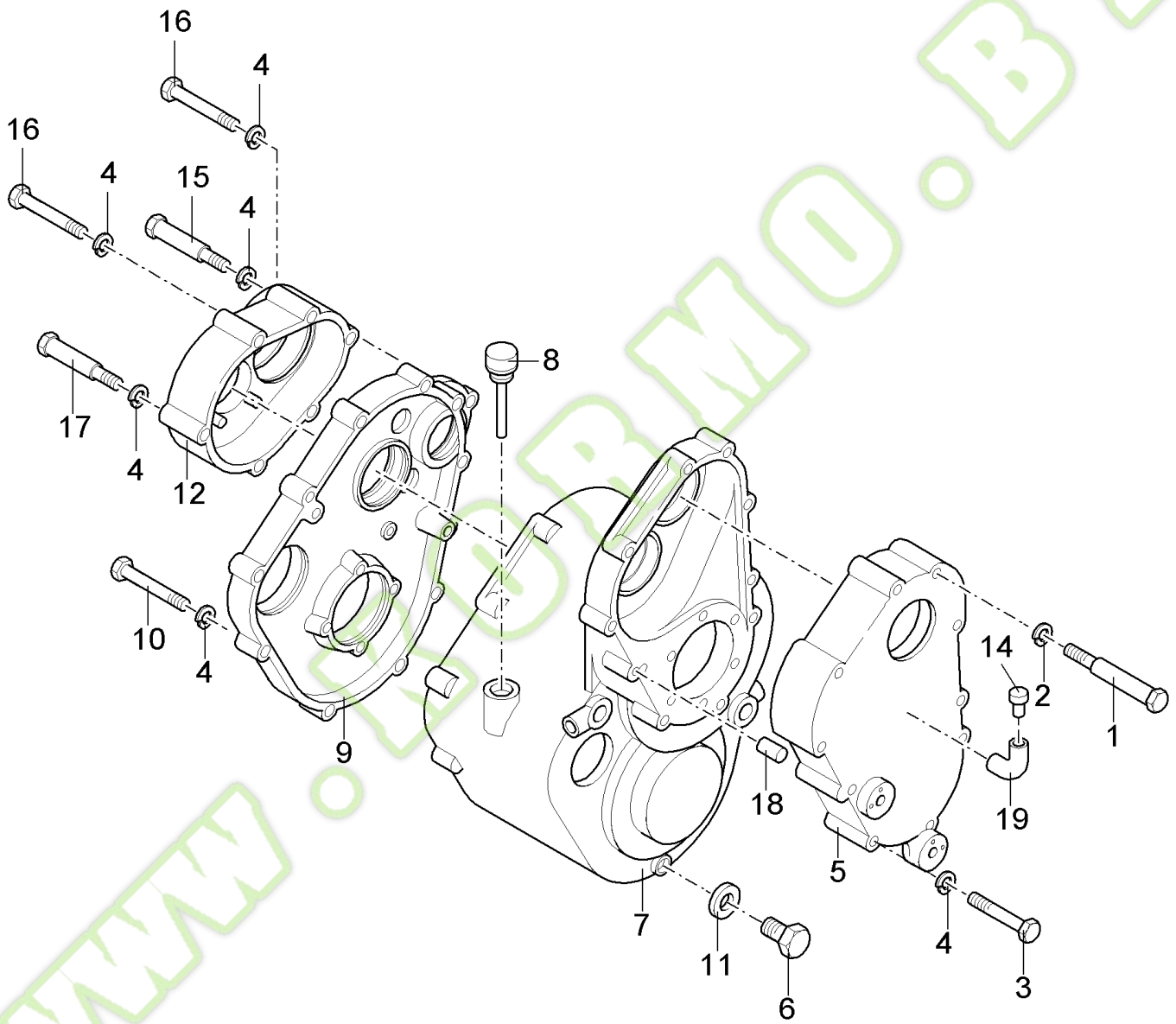
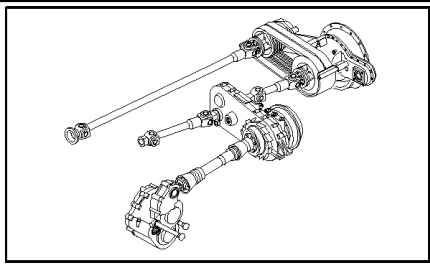


Ref	Part Number	Qty	Description
1	301164	2	BEARING ASSY, {PP:80301164}
2	89833779	1	SHAFT, CONTROL,
3	84041899	1	RING, OIL SCRAPER,

WWW.KORMO.BY



02.24(01) "L.O.C." GEARBOX

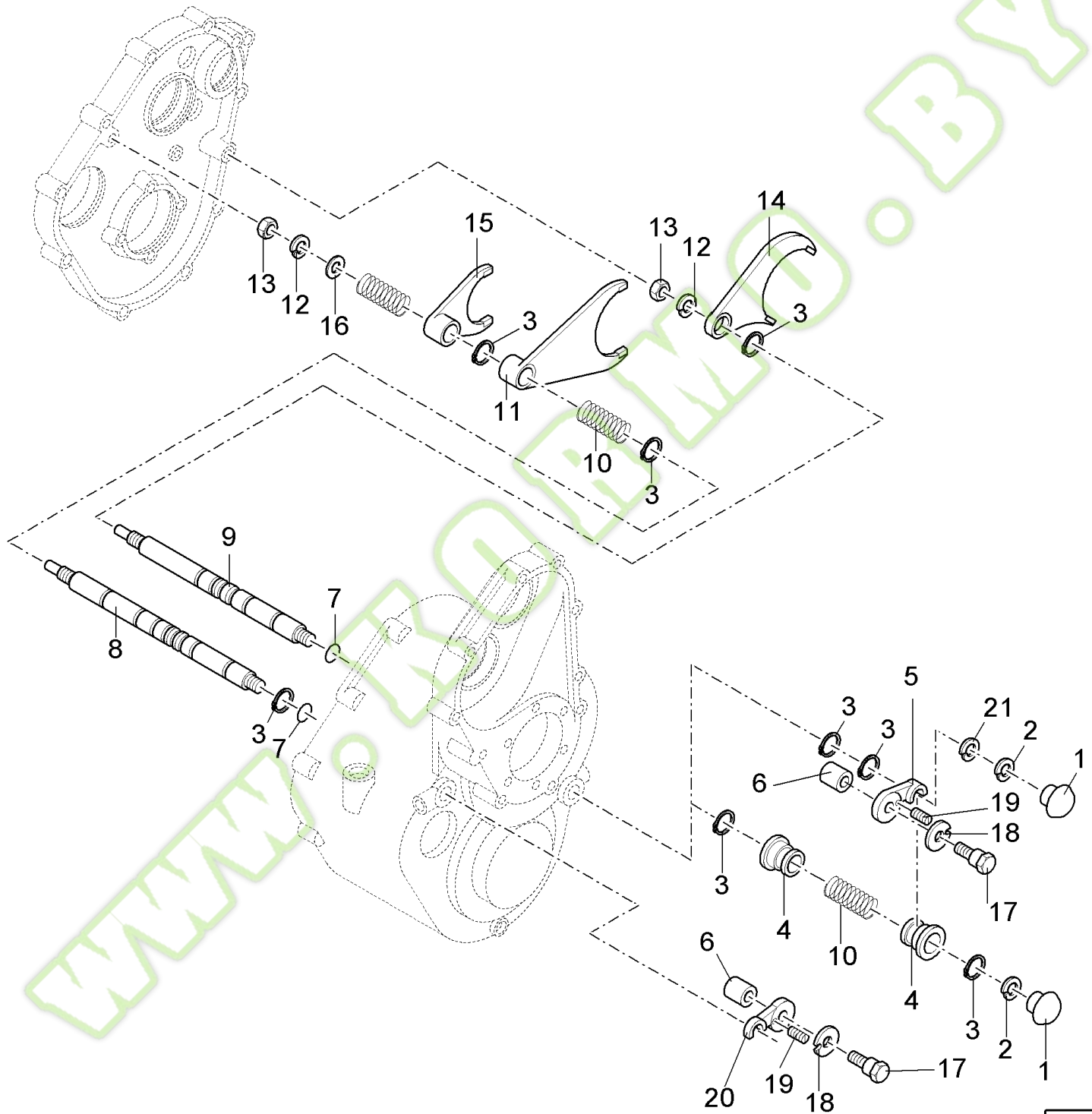
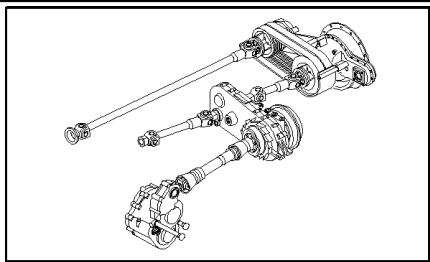


## FX48 SELF-PROPELLED FORAGE HARVESTER (9/98- )

## 02.24(01) "L.O.C." GEARBOX

Ref	Part Number	Qty	Description
	84056918	1	GEARBOX, Incl.figs. 2.25 to 2.29, NOT FOR NA, BSN C127
	84056918	1	GEARBOX, Incl.figs. 2.25 to 2.29, FOR NA ONLY, BSN C090
	84074912	1	GEARBOX, Incl.figs. 2.25 to 2.29, FOR NA ONLY, ASN D091
	84074912	1	GEARBOX, Incl.figs. 2.25 to 2.29, ASN D128
1	84021886	2	BOLT, M10x90
2	80412123	3	WASHER, LOCK, 12MM
3	84056952	9	SCREW, Hex, M10 x 85, 8.8, M10x85
4	394629	AR	WASHER, LOCK, {PP:80394629} 10MM
5	84056903	1	HOUSING,
6	84037192	1	PLUG, Magnetic
7	84056536	1	HOUSING,
8	84031833	1	INDICATOR,
9	84056537	1	COVER,
10	120069	12	SCREW, {PP:80120069} Hex, M10 x 50, 8.8, M10x50
11	84011380	1	RING,
12	84056904	1	HOUSING,
13	87880	2	WASHER, LOCK, {PP:80087880} 19MM
14	84068655	1	BREATHER,
15	120074	1	SCREW, {PP:80120074} Hex, M10 x 90, 8.8, M10x90
16	80120075	2	SCREW, M10x100
18	84022677	1	DIPSTICK,
19	86511898	1	ELBOW,
17	43144	3	SCREW, {PP:80043144} Hex, M10 x 70, 8.8, M10x70

02.25(01) "L.O.C." GEARBOX

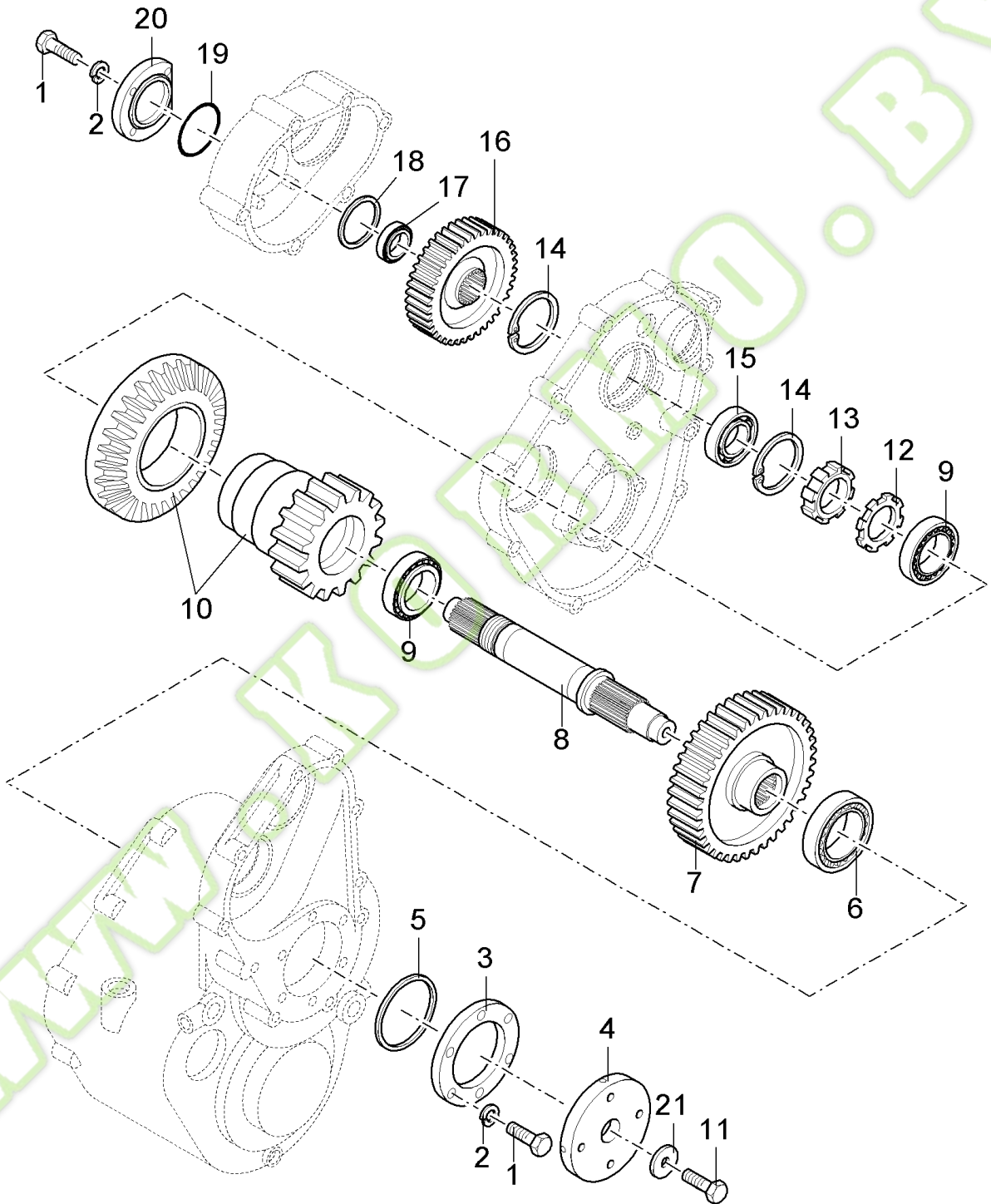
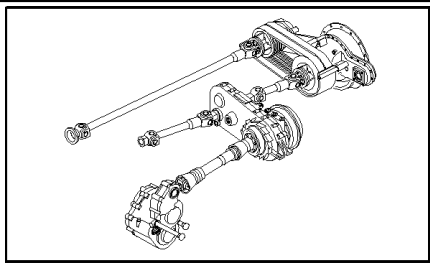


## FX48 SELF-PROPELLED FORAGE HARVESTER (9/98- )

## 02.25(01) "L.O.C." GEARBOX

Ref	Part Number	Qty	Description
1	84021892	2	KNOB,
2	140045	2	WASHER, LOCK, {PP:80140045} Belleville, M10, 10MM
3	84021874	6	CIRCLIP,
4	84056543	2	RETAINER,
5	84056541	1	LOCK, (II)
6	84037095	2	BUSHING,
7	84021873	2	O-RING,
8	84056905	1	SHAFT,
9	84056542	1	SHAFT,
10	84005595	3	SPRING,
11	89833499	1	YOKE, (I)
12	140046	2	WASHER, LOCK, {PP:80140046} Belleville, M12, 12MM
13	89706685	2	NUT, M12
14	89833507	1	YOKE, (II)
15	89833506	1	YOKE, (III)
16	362298	1	WASHER, {PP:80362298} 12MM
17	43139	2	SCREW, {PP:80043139} Hex, M10 x 25, 8.8, Full Thd, M10x25
18	86511323	2	WASHER, M10 x 20 x 2, 10MM
19	84022678	2	SPRING,
20	84021368	1	LOCK, (I+III)
21	300627	1	RING, SNAP, {PP:80300627} , ASN D156

02.26(01) "L.O.C." GEARBOX

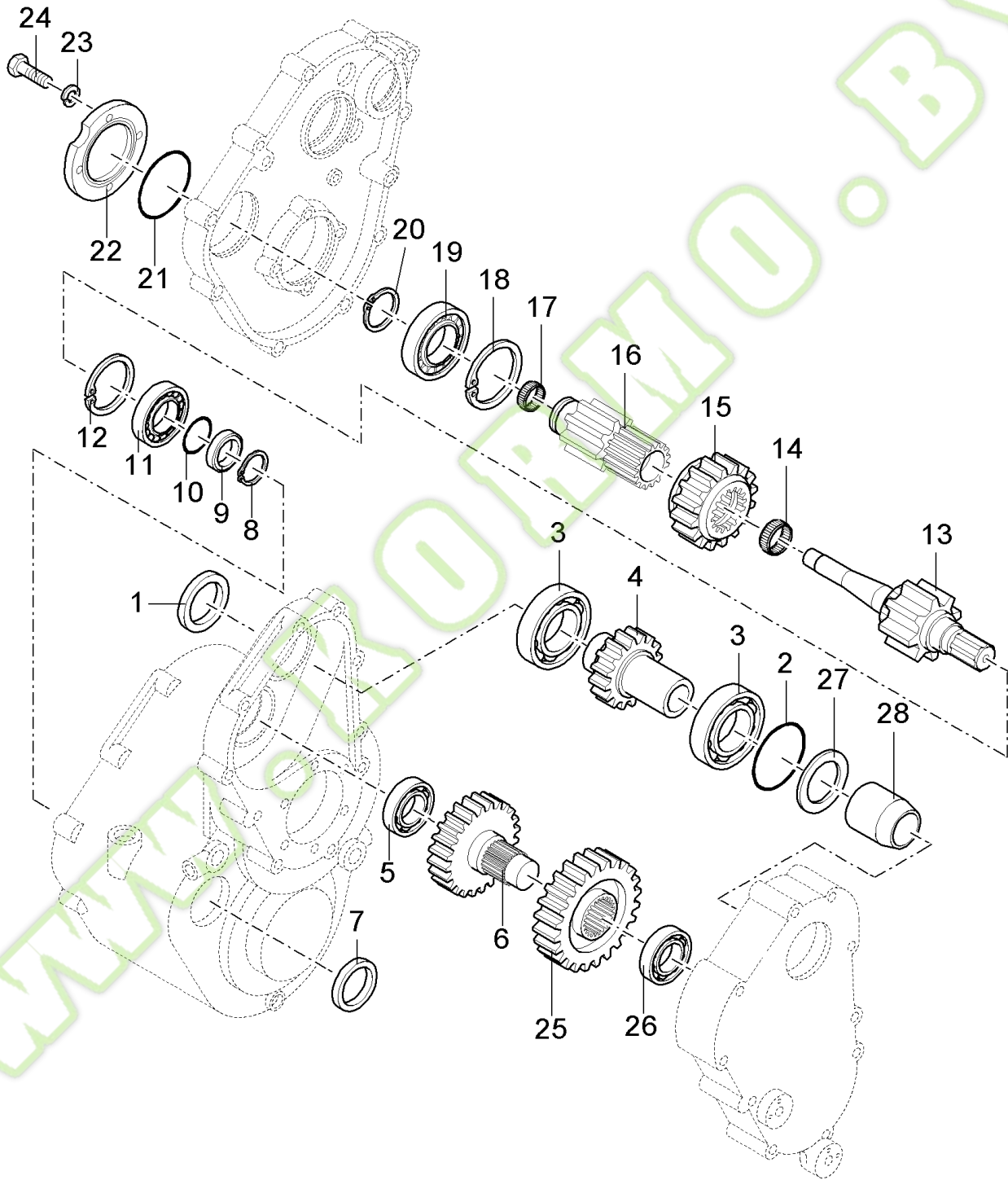
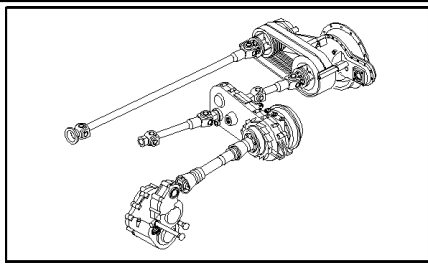


## FX48 SELF-PROPELLED FORAGE HARVESTER (9/98- )

## 02.26(01) "L.O.C." GEARBOX

Ref	Part Number	Qty	Description
1	43128	8	SCREW, {PP:80043128} Hex, M8 x 30, 8.8, Cap, HH, CL 8.8, M8 x 1.25 x 30
2	140016	10	WASHER, {PP:80140016} M8 x 16 x 1.6, 8MM
3	89833504	1	COVER,
4	84019878	1	DISC,
5	89833515	AR	PLATE, ADJUSTING, THK.:0.05MM
6	84021880	1	BEARING ASSY,
7	84005438	1	GEAR,
8	84056539	1	SPINDLE,
9	84021879	2	BEARING ASSY, , BSN C155
9	84438713	2	BEARING ASSY, , ASN D156
10	84045207	1	GEAR SET, , NOT FOR NA, BSN C127
10	84045207	1	GEAR SET, , FOR NA ONLY, BSN C090
10	84068745	1	GEAR SET, , FOR NA ONLY, ASN D091
10	84068745	1	GEAR SET, , NOT FOR NA, ASN D128
11	43140	1	BOLT, {PP:80043140} Hex, M10 x 30, 8.8, M10x30
12	80410880	1	RING, LOCKING,
13	410475	1	NUT, {PP:80410475} M45x1.5
14	80300633	2	RING, SNAP,
15	84062059	1	BEARING ASSY,
16	84056538	1	GEAR,
17	309085	1	BEARING ASSY, {PP:80309085}
18	89833516	AR	PLATE, ADJUSTING, THK.:0.05MM
19	84021868	1	O-RING,
20	89833522	1	COVER,
21	84032695	1	WASHER,

02.27(01) "L.O.C." GEARBOX



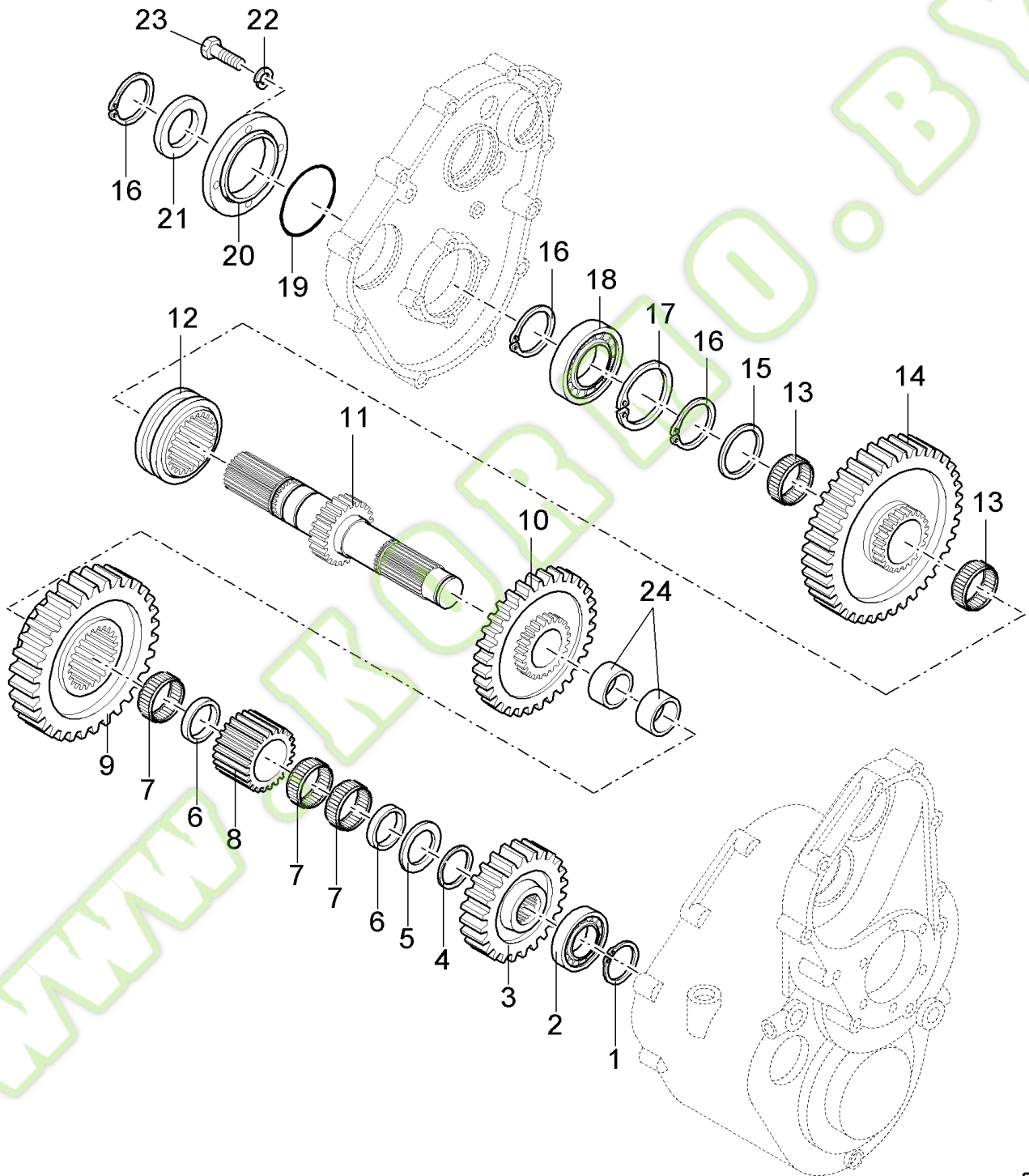
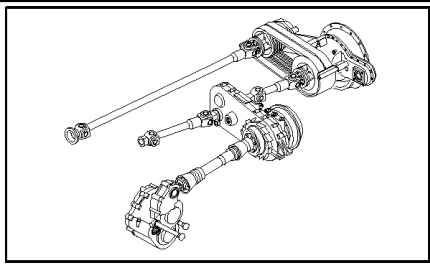
## FX48 SELF-PROPELLED FORAGE HARVESTER (9/98- )

## 02.27(01) "L.O.C." GEARBOX

Ref	Part Number	Qty	Description
1	84045426	1	RING, OIL SCRAPER,
2	84043137	1	RING,
3	89811496	2	BEARING ASSY,
4	84045209	1	GEAR,
5	25953	2	BEARING, BALL, {PP:80025953}
6	84045205	1	GEAR,
7	84045425	1	GASKET,
8	370004	1	CIRCLIP, {PP:80370004}
9	89833500	1	SPACER,
10	84021871	1	O-RING,
11	323327	1	BEARING ASSY, {PP:80323327}
12	80300633	1	RING, SNAP,
13	84045208	1	SHAFT,
14	84021888	1	BEARING ASSY,
15	84045195	1	GEAR,
16	84045199	1	SHAFT,
17	84021890	1	BEARING ASSY,
18	370021	1	CIRCLIP, {PP:80370021} M85 x 3, Int,
19	84062061	1	BEARING ASSY,
20	370007	1	CIRCLIP, {PP:80370007}
21	84021870	1	O-RING,
22	89835063	1	COVER,
23	140016	4	WASHER, {PP:80140016} M8 x 16 x 1.6, 8MM
24	43128	4	SCREW, {PP:80043128} Hex, M8 x 30, 8.8, Cap, HH, CL 8.8, M8 x 1.25 x 30
25	84045206	1	GEAR,
26	330052	1	BEARING ASSY, {PP:80330052}
27	84045428	1	RING, OIL SCRAPER,
28	84032463	1	BUSHING,



02.28(01) "L.O.C." GEARBOX

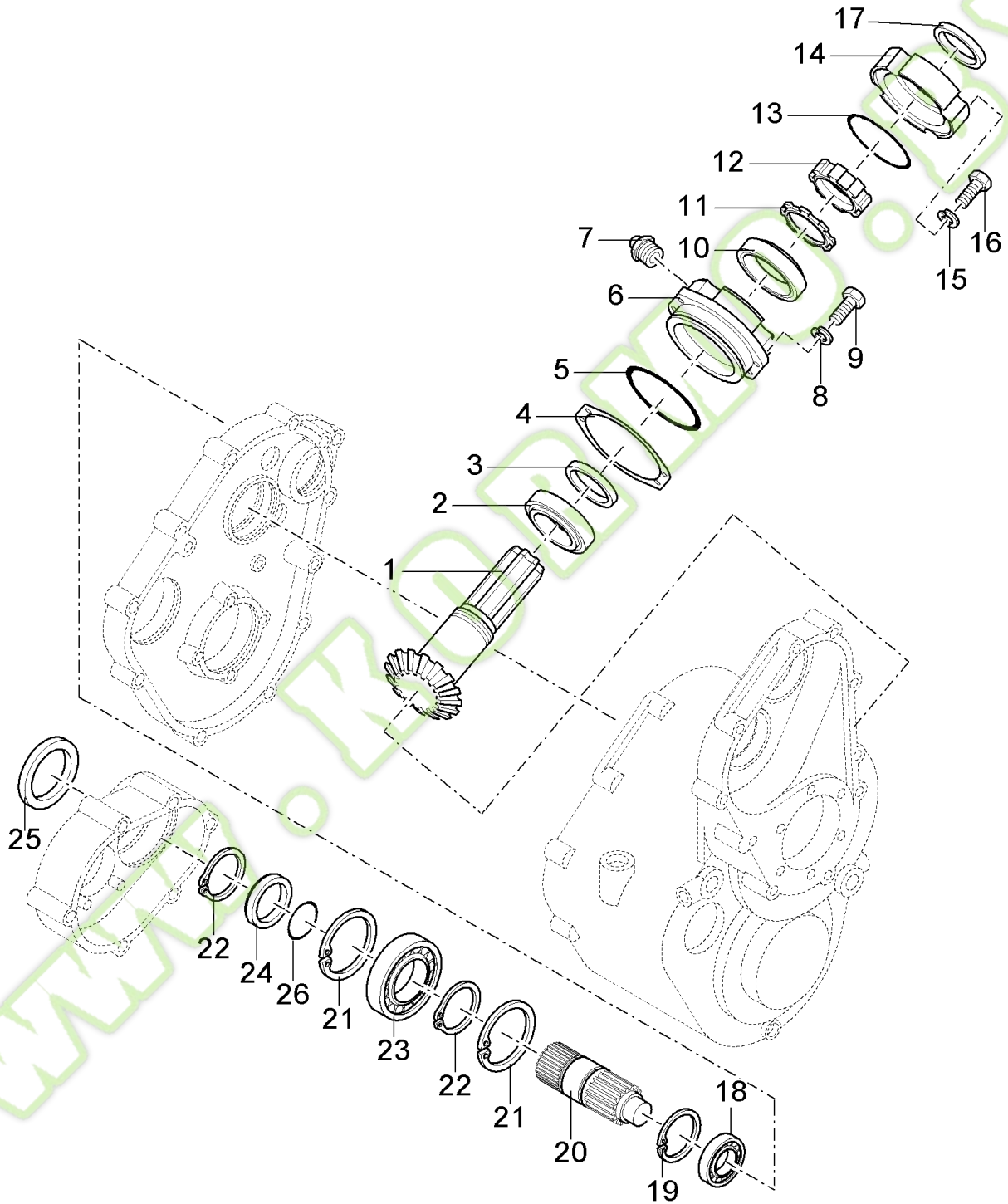
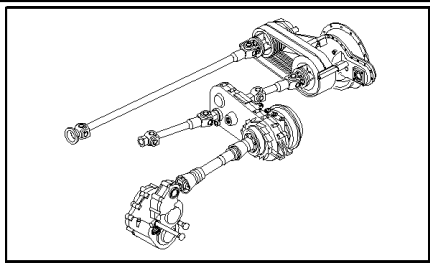


## FX48 SELF-PROPELLED FORAGE HARVESTER (9/98- )

## 02.28(01) "L.O.C." GEARBOX

Ref	Part Number	Qty	Description
1	370006	1	CIRCLIP, {PP:80370006}
2	322365	1	BEARING ASSY, {PP:80322365}
3	84045204	1	GEAR,
4	84032053	1	RING,
5	84021876	1	DISC,
6	89833502	2	SPACER,
7	84037449	1	SET OF CONN ROD BRGS U/S, (Set of 3)
8	84045198	1	GEAR,
9	89833495	1	GEAR, RING,
10	84045197	1	GEAR,
11	84056540	1	SPINDLE,
12	9837152	1	SYNCHRONIZER, {PP:89837152}
13	84037450	1	SET OF CONN ROD BRGS U/S, (Set of 2)
14	84045196	1	GEAR,
15	84021875	1	DISC,
16	370008	3	CIRCLIP, {PP:80370008}
17	370013	1	RING, SNAP, {PP:80370013}
18	84021881	1	BEARING ASSY,
19	84021869	1	O-RING,
20	89833501	1	COVER,
21	84045427	1	GASKET,
22	140016	4	WASHER, {PP:80140016} M8 x 16 x 1.6, 8MM
23	43128	4	SCREW, {PP:80043128} Hex, M8 x 30, 8.8, Cap, HH, CL 8.8, M8 x 1.25 x 30
24	84031536	1	BEARING SET,

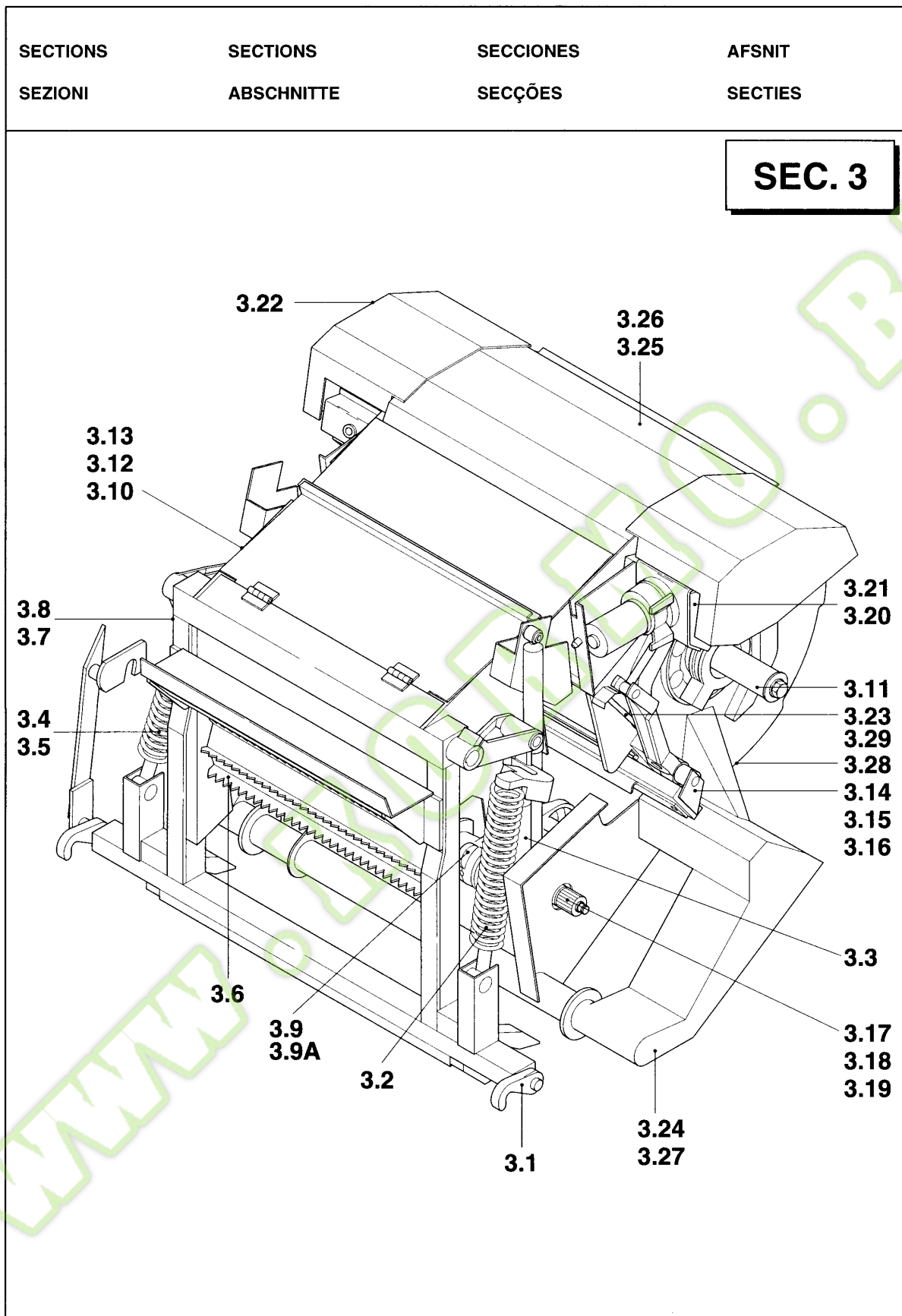
02.29(01) "L.O.C." GEARBOX



## FX48 SELF-PROPELLED FORAGE HARVESTER (9/98- )

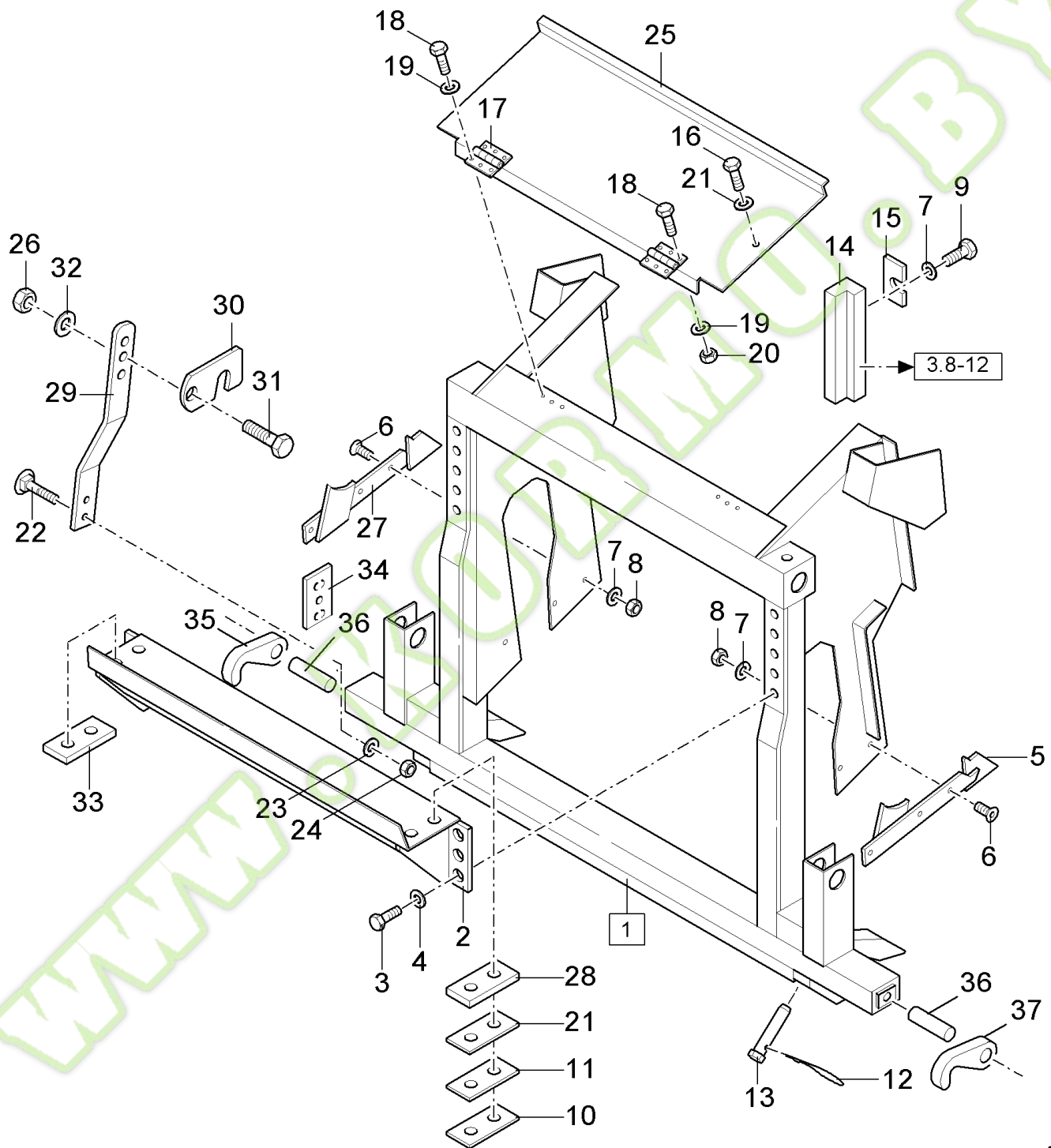
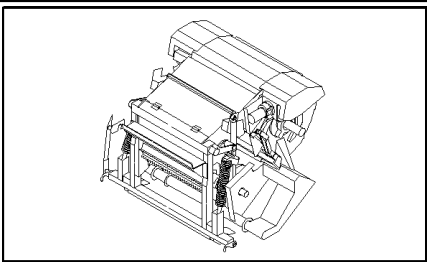
## 02.29(01) "L.O.C." GEARBOX

Ref	Part Number	Qty	Description
1	84045194	1	GEAR,
2	84021878	1	BEARING ASSY,
3	84045430	1	RING, OIL SCRAPER,
4	84053817	AR	PLATE, ADJUSTING, THK.:0.05MM
5	84021872	1	O-RING,
6	84056544	1	HOUSING, BEARING,
7	84062065	1	NIPPLE, LUBE,
8	394629	4	WASHER, LOCK, {PP:80394629} 10MM
9	43140	4	BOLT, {PP:80043140} Hex, M10 x 30, 8.8, M10X30
10	84021877	1	BEARING ASSY,
11	382867	1	WASHER, LOCK, {PP:80382867}
12	9513020	1	NUT, {PP:89513020}
13	84021867	1	O-RING,
14	89833509	1	COVER,
15	140015	4	WASHER, {PP:80140015} 6MM
16	80120102	4	SCREW, M6X40
17	84045424	1	RING, OIL SCRAPER,
18	84062062	1	BEARING ASSY,
19	370012	1	CIRCLIP, {PP:80370012}
20	84045201	1	GEAR,
21	370013	2	RING, SNAP, {PP:80370013}
22	370008	2	CIRCLIP, {PP:80370008}
23	84062060	1	BEARING ASSY,
24	84005664	1	RING,
25	84045429	1	RING, OIL SCRAPER,
26	441273	1	O-RING, {PP:80441273} 50x3MM, ASN D206



Ref	Part Number	Qty	Description
<p>WWW.KORMO.BY</p>			

03.01(01) FRAME UPPER FEEDROLLS

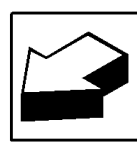
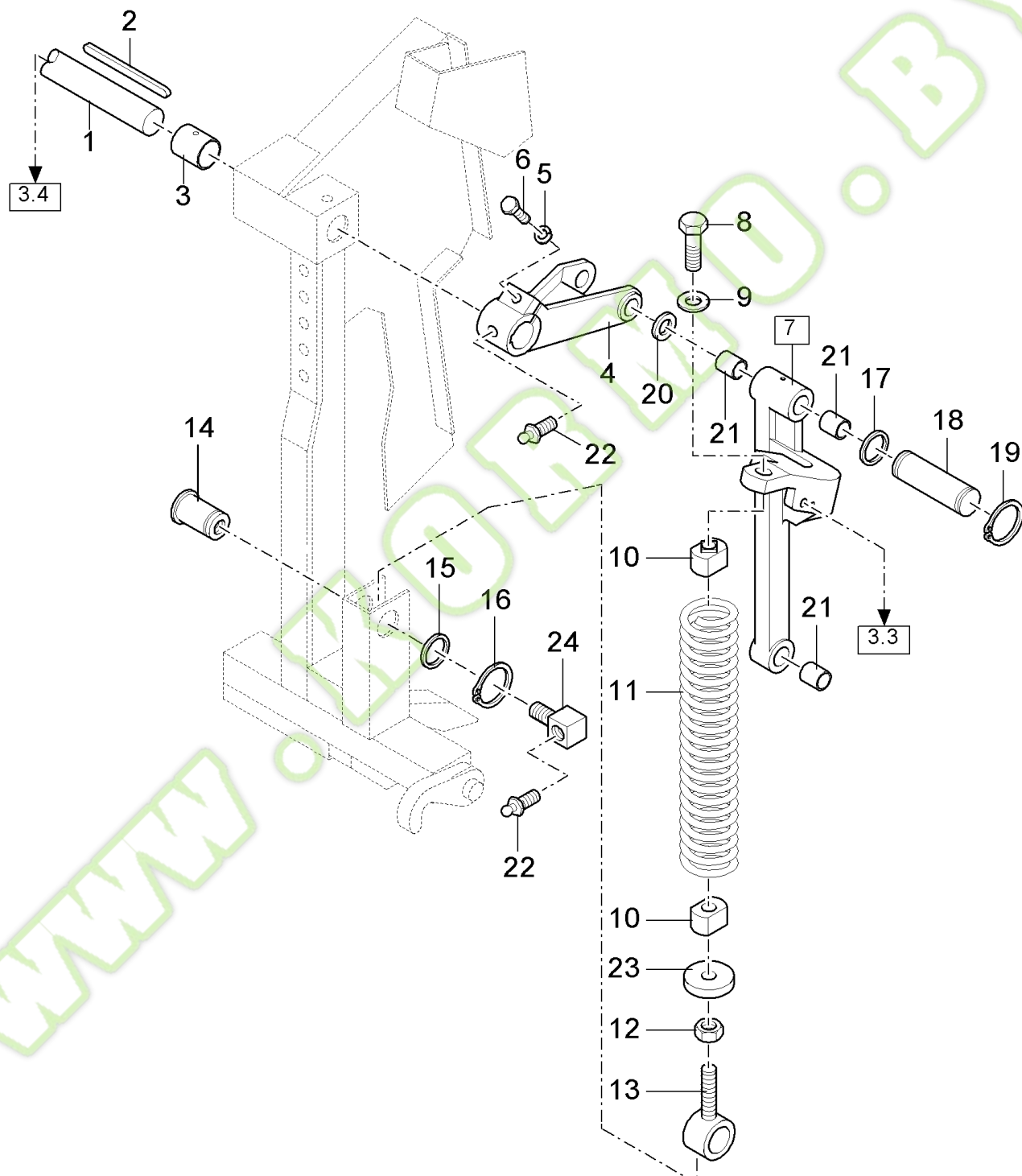
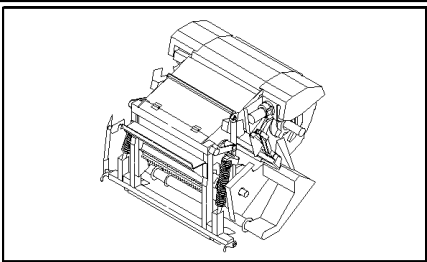


## FX48 SELF-PROPELLED FORAGE HARVESTER (9/98- )

## 03.01(01) FRAME UPPER FEEDROLLS

Ref	Part Number	Qty	Description
1	84058943	1	FRAME, (34 to 37)
2	84057964	1	SUPPORT,
3	9512573	6	SCREW, {PP:89512573} Hex, M20 x 40, 10.9, M20x40
4	322359	6	WASHER, LOCK, {PP:80322359} Belleville, M20,
5	89850511	1	SUPPORT,
6	86511859	6	SCREW, Hex Flat Hd, M10 x 30, 4.8, M10x30
7	140045	14	WASHER, LOCK, {PP:80140045} Belleville, M10, 10MM
8	100037	6	NUT, {PP:80100037} M10 x 1.5, CI 8, M10
9	43138	4	SCREW, {PP:80043138} Hex, M10 x 20, 8.8, Full Thd, M10x20
10	84058180	2	SHIM, THK.:1MM
11	84058179	2	SHIM, THK.:0.5MM
12	9832679	2	PIN, SPLIT (COTTER), {PP:89832679}
13	84026700	2	PIN,
14	84043722	2	BAR, , BSN C151
14	84100027	2	BAR, , ASN D152
15	84037453	AR	PLATE, ADJUSTING,
16	120109	6	SCREW, {PP:80120109} Hex, M10 x 20, 8.8, Full Thd, M10x20
17	9833212	2	HINGE, {PP:89833212}
18	86508568	12	SCREW, Hex, M6 x 16, 8.8, M6x16
19	322357	12	WASHER, LOCK, {PP:80322357} Belleville, M6, Belleville, M6
20	9706755	6	NUT, {PP:89706755} M6, CI 8, M6
21	306506	2	WASHER, {PP:80306506}
21	84058177	2	SHIM, THK.:3MM
22	328754	2	BOLT, {PP:80328754} Short NK, M12 x 40, CI8.8, Full Thd, M12x40
23	394630	2	WASHER, {PP:80394630} 12MM
24	89706685	2	NUT, M12
25	89835694	1	PLATE,
26	100038	1	NUT, LOCK, {PP:80100038} M12 x 1.75, CI 8, M12
27	89850512	1	SUPPORT,
28	84058178	2	SHIM, THK.:2MM
29	84042011	1	LEVER,
30	84023191	1	SUPPORT,
31	300502	1	SCREW, {PP:80300502} Hex Soc Flat Hd, M12 x 40, 8.8, M12x40
32	378245	1	WASHER, {PP:80378245}
33	84058175	2	PLATE, THK.:6MM
34	84042009	1	PLATE, , WELDED PARTS
35	84031023	1	HOOK, RH, WELDED PARTS
36	89835510	1	SHAFT, , WELDED PARTS
37	89835508	1	HOOK, LH, WELDED PARTS





## FX48 SELF-PROPELLED FORAGE HARVESTER (9/98- )

## 03.02(01) UPPER FEEDROLLS, SPRING ASSEMBLY, LH

Ref	Part Number	Qty	Description
1	84036580	1	SHAFT,
2	170055	1	KEY, {PP:80170055}
3	80397205	1	BEARING ASSY,
4	84032940	1	LEVER,
5	140046	1	WASHER, LOCK, {PP:80140046} Belleville, M12,
6	89628065	1	SCREW, M12x45
7	84058651	1	LEVER, (21)
8	89835096	1	SCREW, M20x240
9	322359	1	WASHER, LOCK, {PP:80322359} Belleville, M20,
10	84041800	2	NUT, M20, BSN C127
11	84015297	1	SPRING, , BSN C127
11	84100191	1	SPRING, , ASN D128
12	9706694	1	NUT, {PP:89706694} M20, CI 8, M20
13	89835006	1	BOLT, BANJO,
14	84056347	1	PIN,
15	84021217	AR	WASHER,
16	370006	1	CIRCLIP, {PP:80370006}
17	140229	AR	WASHER, {PP:80140229}
18	84036582	1	PIN,
19	80370002	1	CIRCLIP, 25x1.2
20	9839230	AR	WASHER, {PP:89839230} 26MM
21	420760	3	BUSHING, {PP:80420760}
22	9838669	AR	NIPPLE, LUBE, {PP:89838669} , ASN D128
23	84334212	1	WASHER, , ASN D140
24	84053211	1	CONNECTOR, HYD., , ASN D152

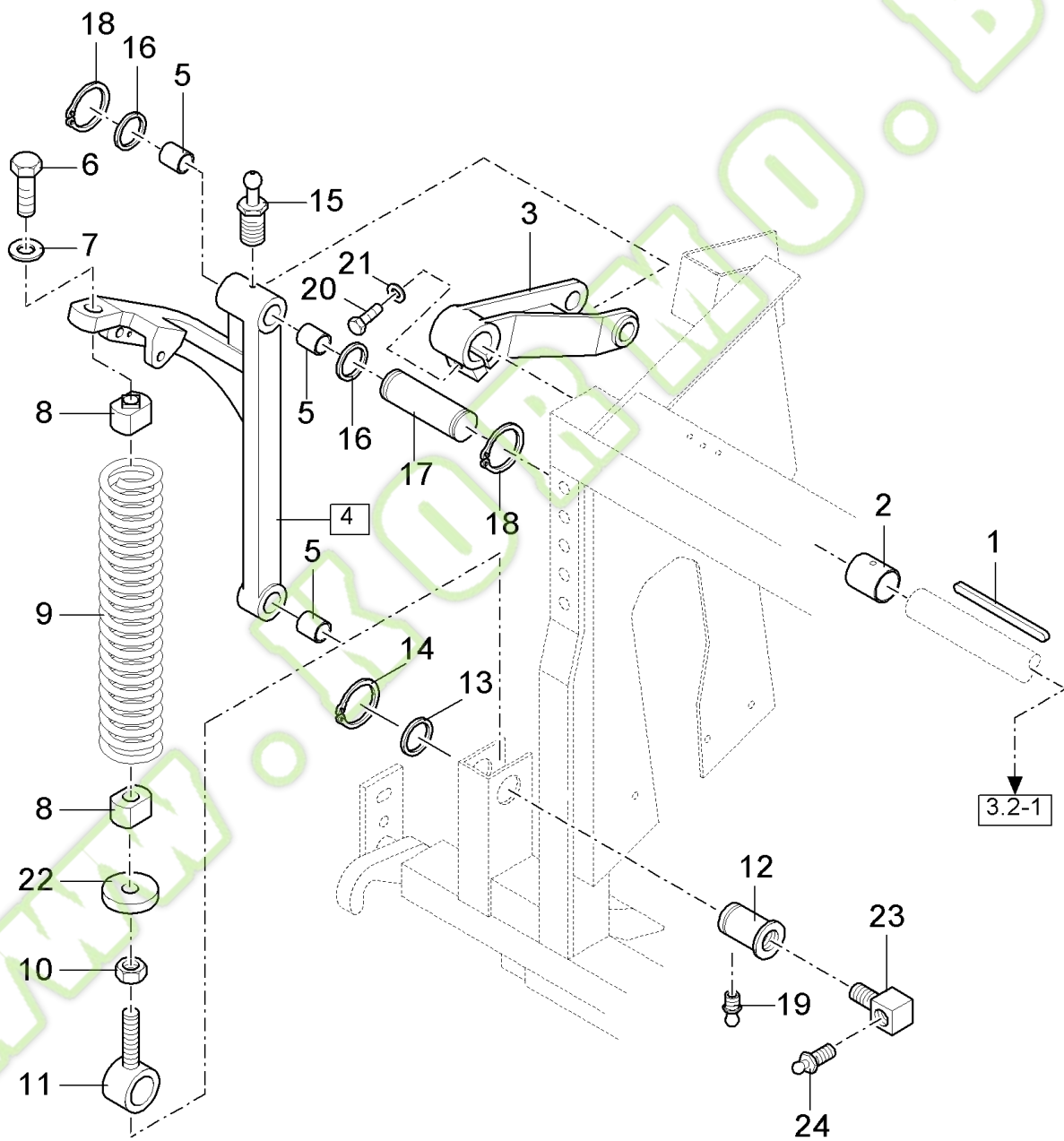
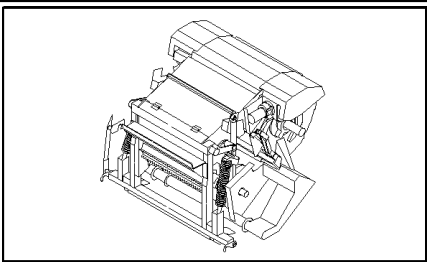


## FX48 SELF-PROPELLED FORAGE HARVESTER (9/98- )

## 03.03(01) UPPER FEEDROLLS, SHOCK ABSORBER, LH

Ref	Part Number	Qty	Description
1	84036789	1	DAMPER,
2	86505259	1	SCREW, Hex, M12 x 70, 10.9, M12x70
3	378245	5	WASHER, {PP:80378245}
4	100038	2	NUT, LOCK, {PP:80100038} M12 x 1.75, CI 8, M12
5	84036788	1	DAMPER,
6	84045925	1	SUPPORT, , BSN C151
7	394630	1	WASHER, {PP:80394630} 12MM
8	120183	1	SCREW, {PP:80120183} Hex, M12 x 90, 8.8, M12x90
9	322358	2	WASHER, LOCK, {PP:80322358} Belleville, M8, , BSN C151
10	412619	2	BOLT, {PP:80412619} Hex, M8 x 60, 12.9, M8x60, BSN C151
11	130005	2	PIN, SPLIT (COTTER), {PP:80130005} M3.2 x 32,
12	84045510	1	PIN,
13	84032994	1	WASHER, , BSN C092
13	84074229	1	WASHER, , ASN D093

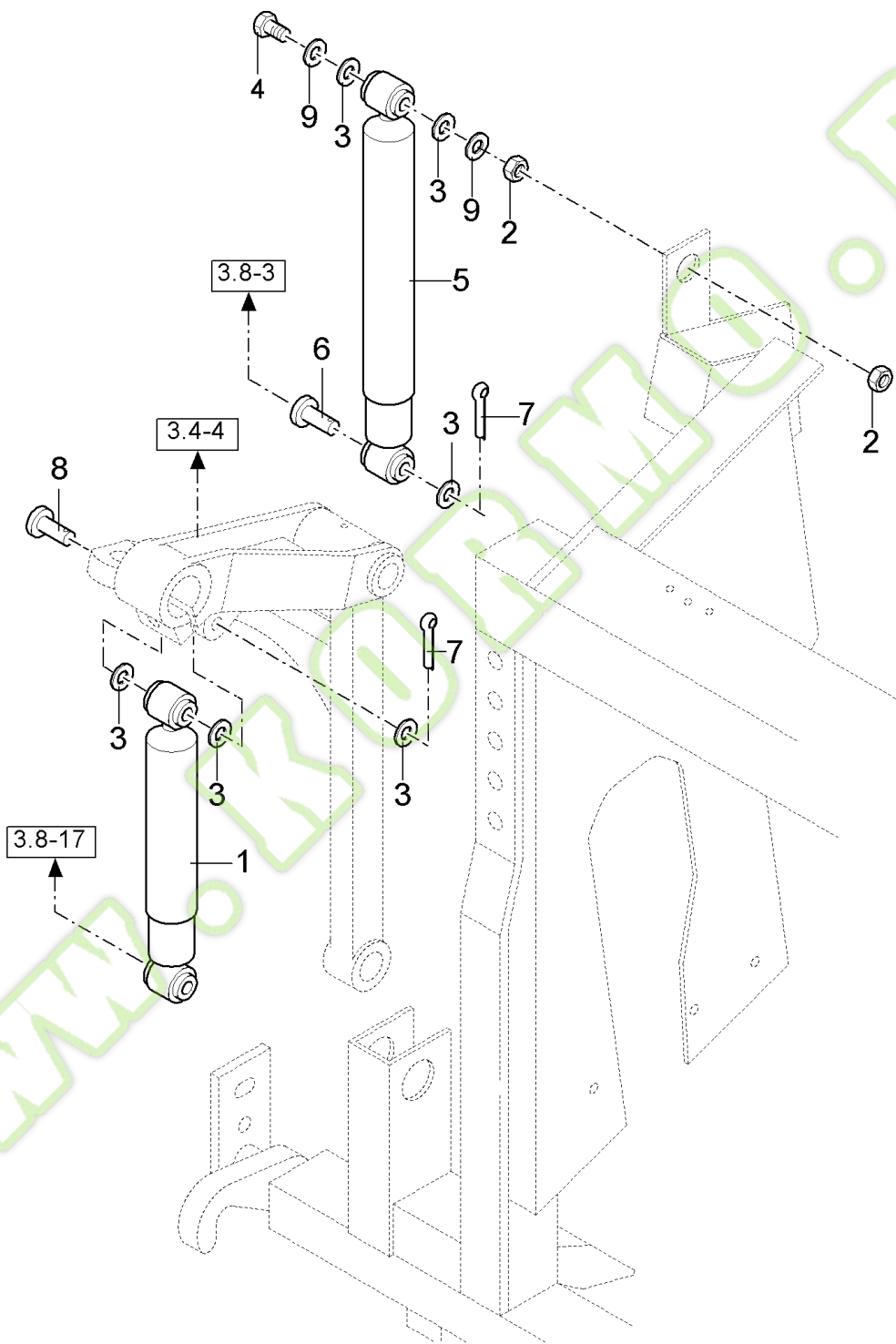
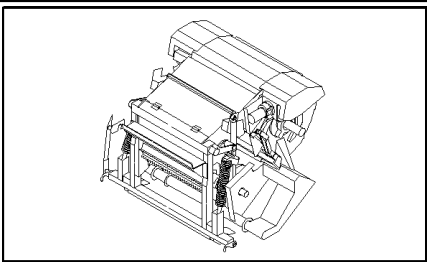
03.04(01) UPPER FEEDROLLS, SPRING, RH



## FX48 SELF-PROPELLED FORAGE HARVESTER (9/98- )

## 03.04(01) UPPER FEEDROLLS, SPRING, RH

Ref	Part Number	Qty	Description
1	170055	1	KEY, {PP:80170055}
2	80397205	1	BEARING ASSY,
3	84032940	1	LEVER,
4	84058652	1	LEVER, (5)
5	420760	3	BUSHING, {PP:80420760}
6	89835096	1	SCREW, M20x240
7	322359	1	WASHER, LOCK, {PP:80322359} Belleville, M20,
8	84041800	2	NUT, M20, BSN C127
9	84015297	1	SPRING, , BSN C127
9	84100191	1	SPRING, , ASN D128
10	9706694	1	NUT, {PP:89706694} M20, CI 8, M20
11	89835006	1	BOLT, BANJO,
12	84004261	1	PIN,
13	84021217	AR	WASHER,
14	370006	1	CIRCLIP, {PP:80370006}
15	321204	1	NIPPLE, LUBE, {PP:80321204}
16	140229	AR	WASHER, {PP:80140229}
17	84036582	1	PIN,
18	80370002	2	CIRCLIP, 25x1.2MM
19	323713	1	NIPPLE, LUBE, {PP:80323713}
20	89628065	1	SCREW, M12x45
21	140046	1	WASHER, LOCK, {PP:80140046} Belleville, M12, 12MM
22	84334212	1	WASHER, , ASN D140
23	84053211	1	CONNECTOR, HYD., , ASN D152
24	9838669	1	NIPPLE, LUBE, {PP:89838669} , ASN D152

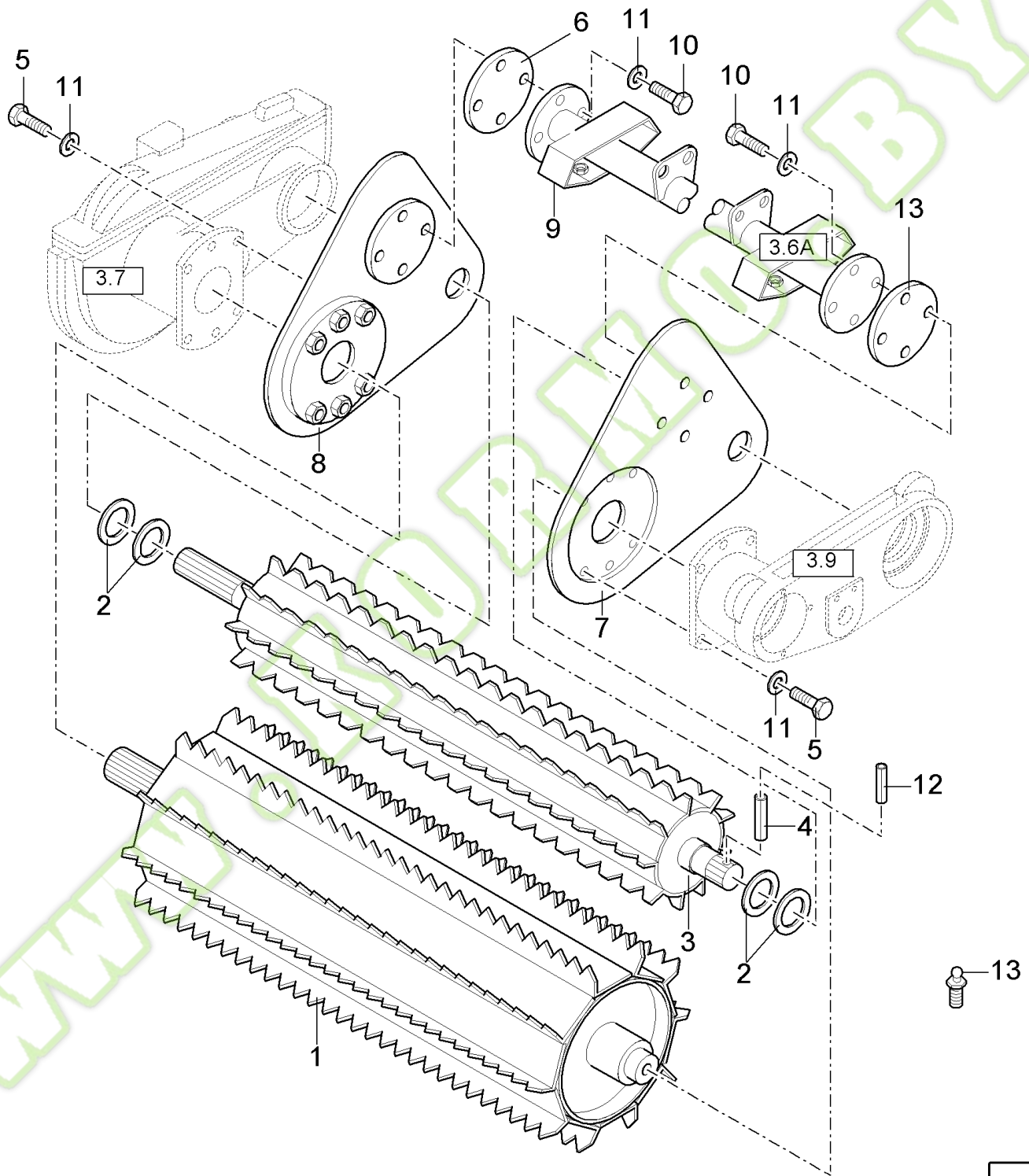
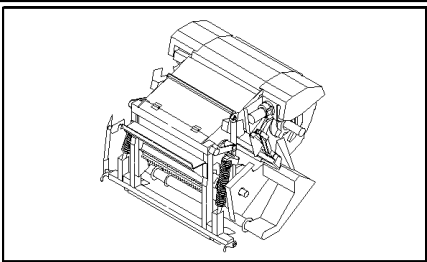


Ref	Part Number	Qty	Description
1	84036789	1	DAMPER,
2	100038	2	NUT, LOCK, {PP:80100038} M12 x 1.75, CI 8, M12
3	378245	AR	WASHER, {PP:80378245}
4	86508581	AR	SCREW, Hex, M12 x 90, 8.8, M12x90
5	84036788	1	DAMPER,
6	84045619	1	PIN,
7	130005	2	PIN, SPLIT (COTTER), {PP:80130005} M3.2 x 32,
8	84045510	1	PIN,
9	84032994	2	WASHER,

WWW.KORMO.BY



03.06(01) UPPER FEEDROLLS

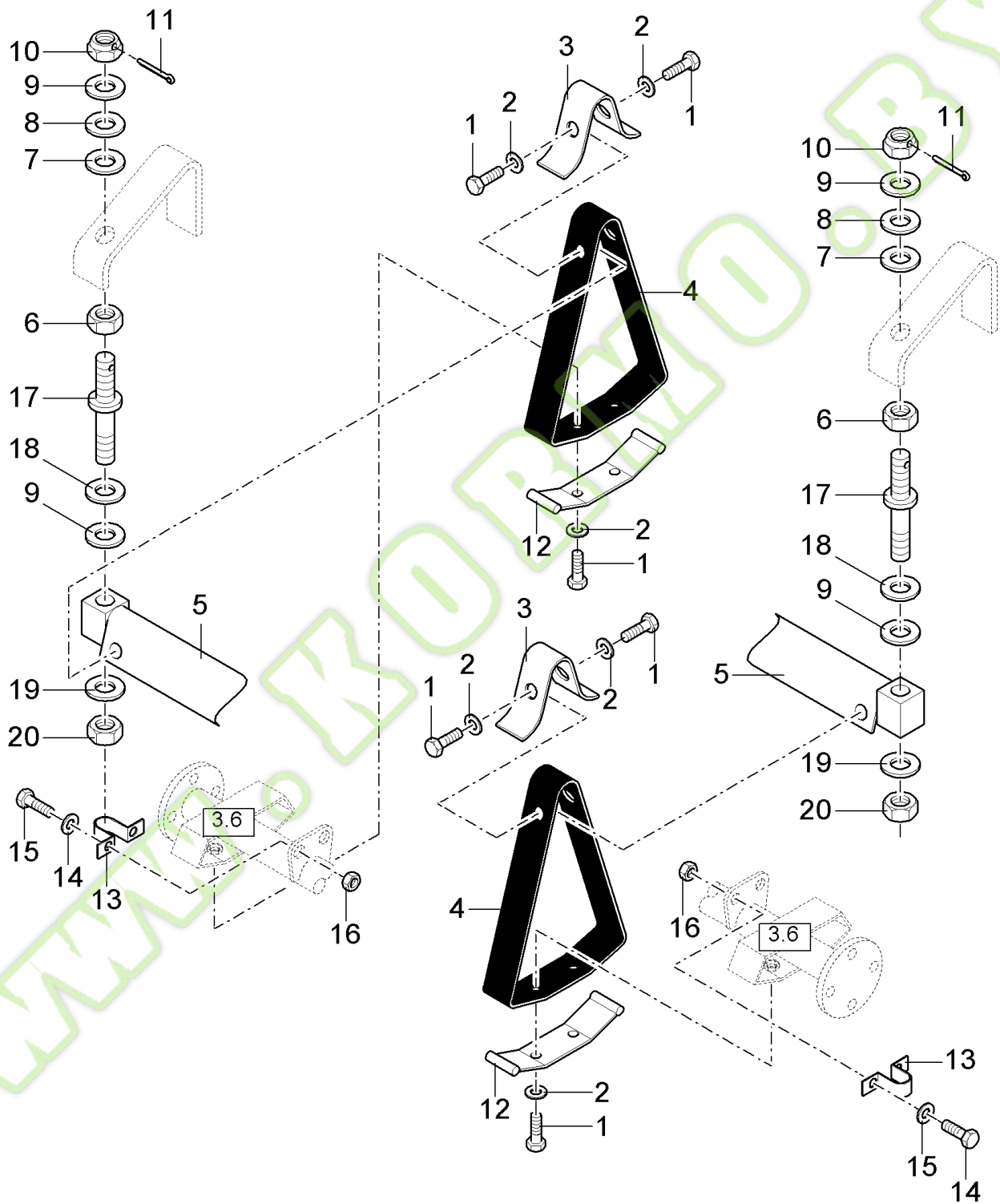
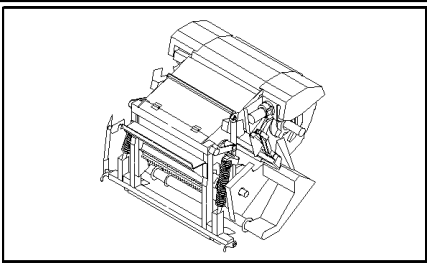


## FX48 SELF-PROPELLED FORAGE HARVESTER (9/98- )

## 03.06(01) UPPER FEEDROLLS

Ref	Part Number	Qty	Description
1	84004139	1	ROLLER,
2	140061	4	WASHER, {PP:80140061}
3	84004141	1	ROLLER, FEED, , BSN C151
3	84429119	1	ROLLER, FEED, , IMPROVED VERSION (WITHOUT TEETH), BSN C151
3	84078966	1	ROLLER, FEED, , ASN D152
4	412202	1	PIN, {PP:80412202} M8 x 65, Slotted, 8x65MM, BSN C151
5	43138	12	SCREW, {PP:80043138} Hex, M10 x 20, 8.8, Full Thd, M10x20
6	84037346	AR	PLATE,
7	84069068	1	SUPPORT,
8	84069069	1	SUPPORT,
9	84053252	1	SUPPORT,
10	43139	8	SCREW, {PP:80043139} Hex, M10 x 25, 8.8, Full Thd, M10x25
11	140045	20	WASHER, LOCK, {PP:80140045} Belleville, M10, 10MM
12	9823343	1	PIN, ROLL, {PP:89823343} M5 x 65, Slotted, 5x65MM, BSN C151
13	9838669	2	NIPPLE, LUBE, {PP:89838669} , ASN D152

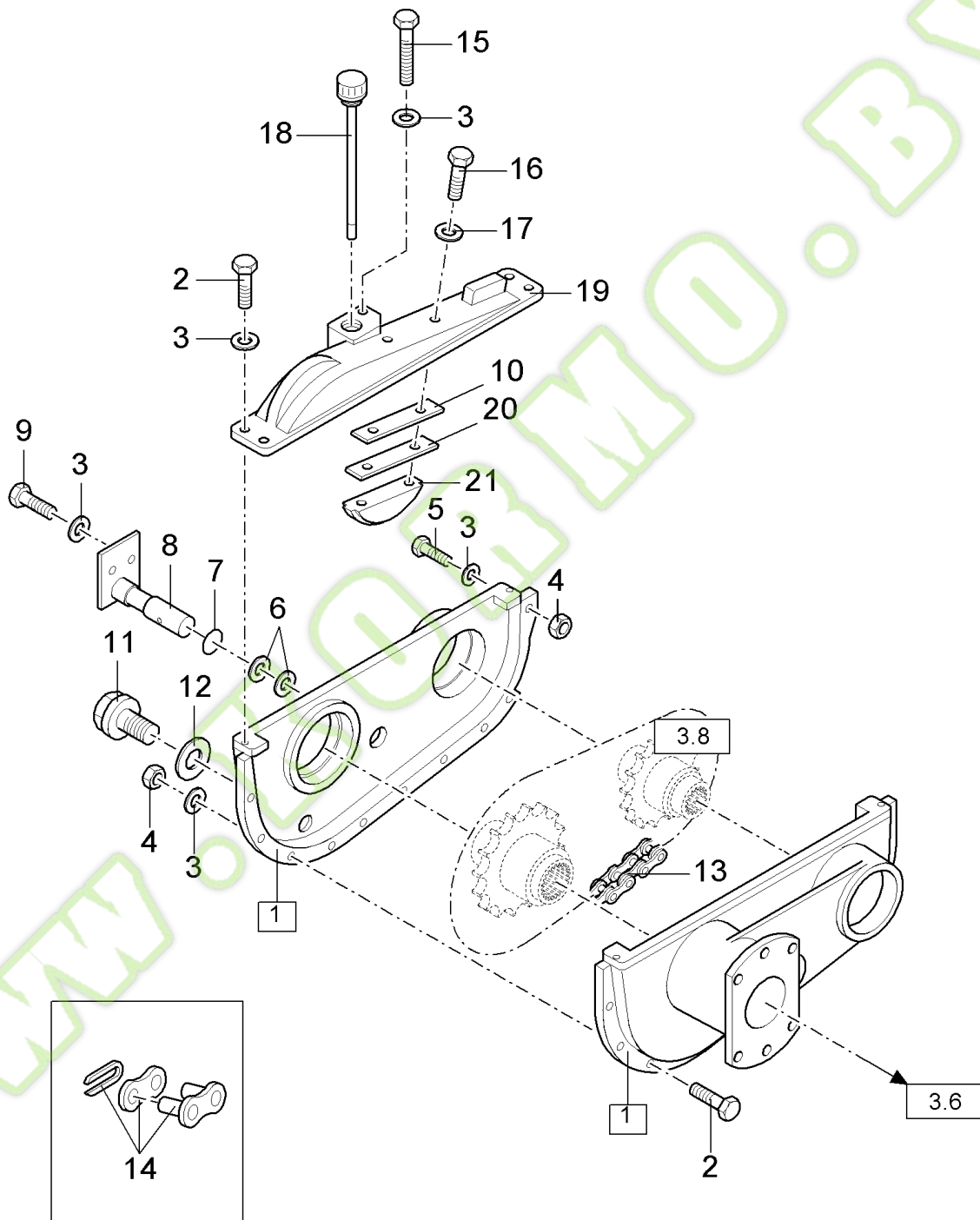
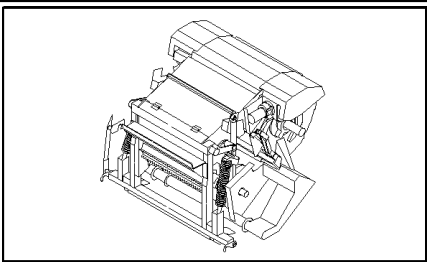
03.06A(01) UPPER FEEDROLLS



## FX48 SELF-PROPELLED FORAGE HARVESTER (9/98- )

## 03.06A(01) UPPER FEEDROLLS

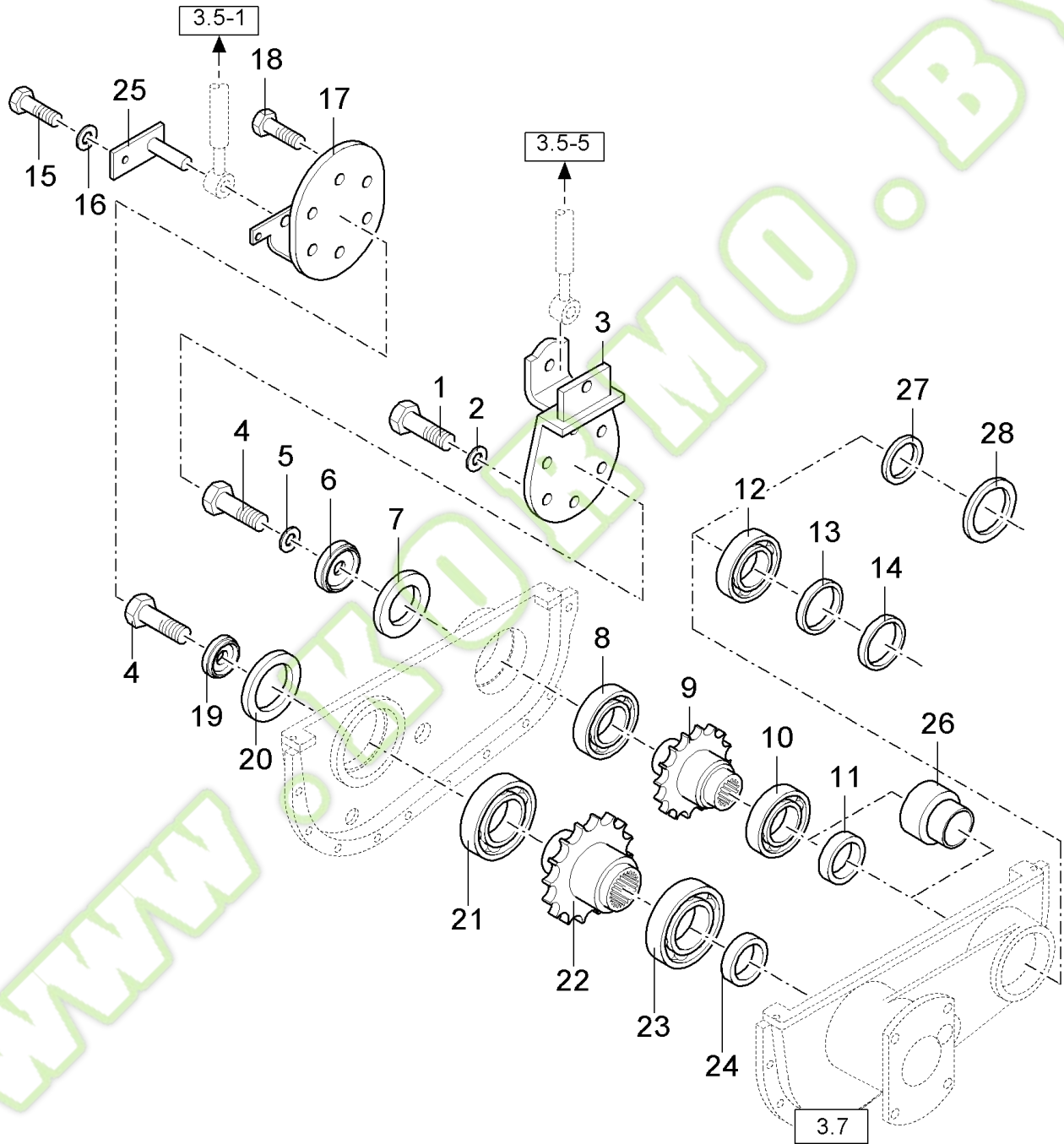
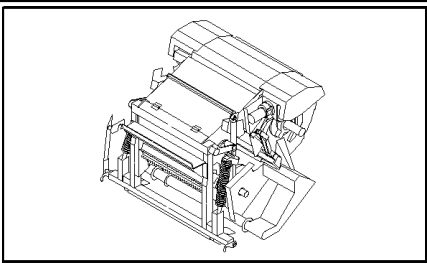
Ref	Part Number	Qty	Description
1	449532	AR	SCREW, {PP:80449532} Hex Lock, M10 x 25, 8.8,
2	140045	AR	WASHER, LOCK, {PP:80140045} Belleville, M10,
3	84038791	1	SUPPORT,
4	84062420	2	RUBBER BAND,
5	84045269	1	SUPPORT,
6	320771	2	NUT, {PP:80320771} Thin, M20 x 1.5, CI 04, M20x1.5
7	378247	AR	WASHER, {PP:80378247} 20MM
8	395901	AR	WASHER, {PP:80395901}
9	140094	AR	WASHER, {PP:80140094}
10	412144	2	SLOTTED NUT, {PP:80412144} M20 x 1.5, CI 8, M20x1.5
11	300595	2	PIN, SPLIT (COTTER), {PP:80300595} M4 x 40,
12	84056653	2	SUPPORT,
13	84056174	2	BRACKET,
14	80120104	4	SCREW, M8x20
15	322358	4	WASHER, LOCK, {PP:80322358} Belleville, M8, 8MM
16	100015	4	NUT, {PP:80100015} M8, CI 8, M8
17	84056717	2	PIN,
18	425971	2	WASHER, {PP:80425971}
19	394632	2	WASHER, {PP:80394632} M10 x 28 x 4, HT,
20	100085	2	NUT, {PP:80100085} M20 x 1.5, CI 8,



## FX48 SELF-PROPELLED FORAGE HARVESTER (9/98- )

## 03.07(01) UPPER FEEDROLLS, DRIVE,RH

Ref	Part Number	Qty	Description
1	84068330	1	HOUSING, (2 to 5), BSN C151
1	84078962	1	HOUSING, , ASN D152
2	120058	14	SCREW, {PP:80120058} Hex, M8 x 30, 8.8, M8x30
3	322358	AR	WASHER, LOCK, {PP:80322358} Belleville, M8, 8MM
4	100015	14	NUT, {PP:80100015} M8, CI 8, M8
5	84000985	2	SCREW, Hex, M8 x 35, 10.9, Full Thd, M8x9
6	356526	AR	WASHER, {PP:80356526}
7	27286	2	O-RING, {PP:80027286} -214, 70 Duro, .984" ID x .139" Thk,
8	84056340	1	PIN,
9	80120104	2	SCREW, M8x20
10	84037495	AR	PLATE,
11	150060	1	PLUG, {PP:80150060}
12	220122	1	GASKET, {PP:80220122}
13	84031780	1	CHAIN, (14)
14	9811888	AR	LINK, CHAIN, {PP:89811888}
15	120062	1	SCREW, {PP:80120062} Hex, M8 x 70, 8.8, M8x70
16	43140	2	BOLT, {PP:80043140} Hex, M10 x 30, 8.8, M10x30
17	140045	2	WASHER, LOCK, {PP:80140045} Belleville, M10, 10MM
18	84004177	1	INDICATOR,
19	84000992	1	COVER,
20	84037494	AR	PLATE,
21	89850551	1	GUIDE,

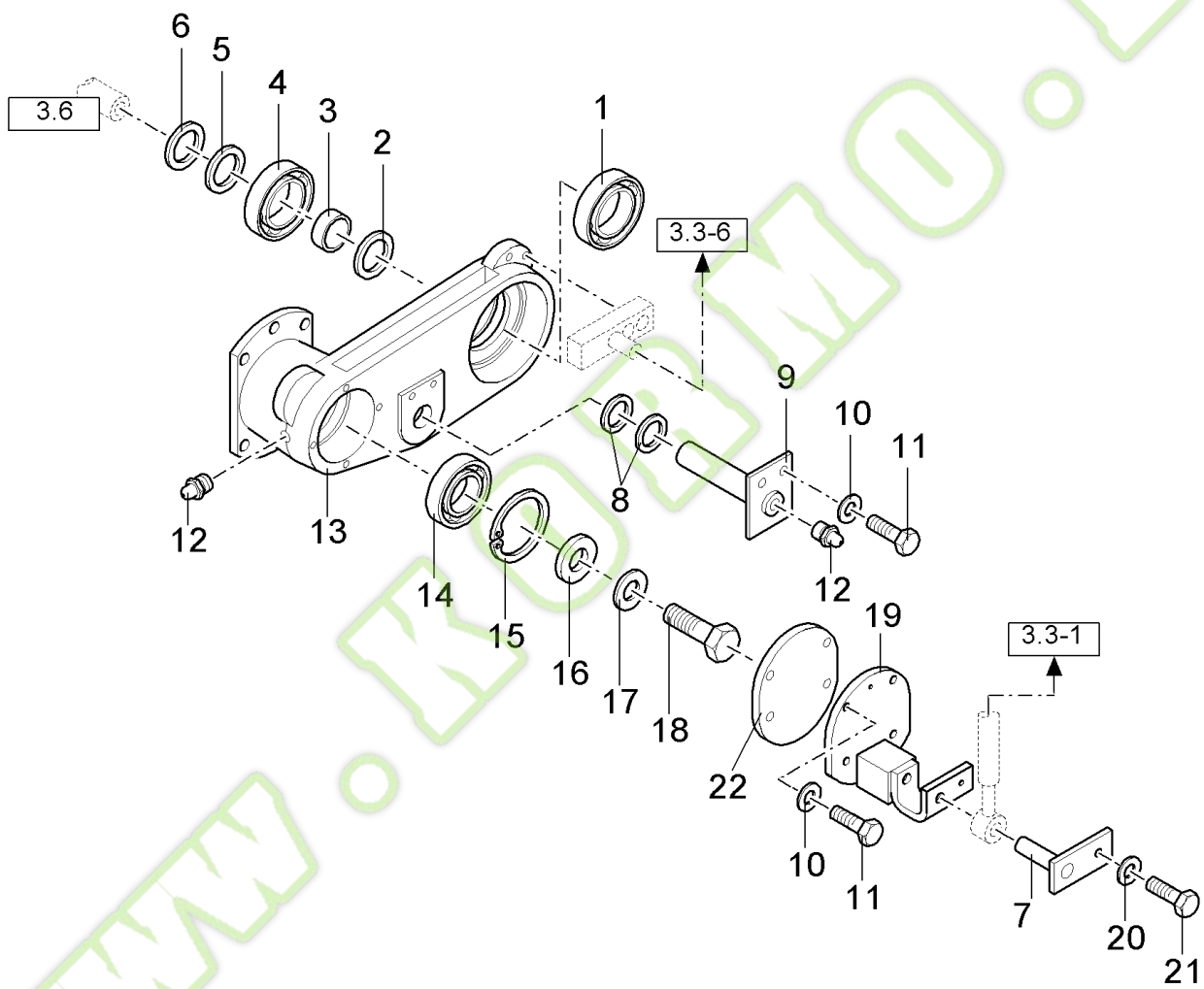
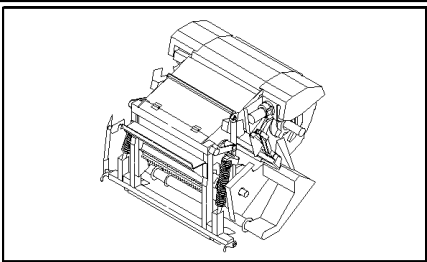


## FX48 SELF-PROPELLED FORAGE HARVESTER (9/98- )

## 03.08(01) UPPER FEEDROLLS, DRIVE, RH

Ref	Part Number	Qty	Description
1	80120104	4	SCREW, M8x20
2	322358	4	WASHER, LOCK, {PP:80322358} Belleville, M8,
3	84074537	1	SUPPORT,
4	86508583	2	SCREW, Hex, M16 x 35, 8.8, Hex, M16 x 35, 8.8
5	140048	1	WASHER, LOCK, {PP:80140048} Belleville, M16, 16MM
6	84004154	1	SPACER,
7	80535911	1	GASKET,
8	37198	1	BEARING, BALL, {PP:80037198}
9	84004158	1	SPROCKET, DRIVEN,
10	44936	1	BEARING ASSY, {PP:80044936}
11	84036396	1	BUSHING, , BSN C151
12	84000262	1	ROLLER, , BSN C151
13	140119	1	WASHER, {PP:80140119}
14	84036395	1	WASHER,
15	86508568	1	SCREW, Hex, M6 x 16, 8.8, M6x16
16	322357	1	WASHER, LOCK, {PP:80322357} Belleville, M6, Belleville, M6
17	84045652	1	SUPPORT,
18	412495	6	SCREW, {PP:80412495} Hex Soc Flat Hd, M8 x 20, 8.8, M8x20
19	84004153	1	SPACER,
20	552118	1	GASKET, {PP:80552118}
21	9825886	1	BEARING ASSY, {PP:89825886}
22	84004156	1	SPROCKET, DRIVEN,
23	84004206	1	BEARING ASSY,
24	89833276	1	SPACER,
25	84045612	1	PIN,
26	84320945	1	BUSHING, , ASN D152
27	84100030	1	RING, OIL SCRAPER, , ASN D152
28	84078963	1	RING, , ASN D152

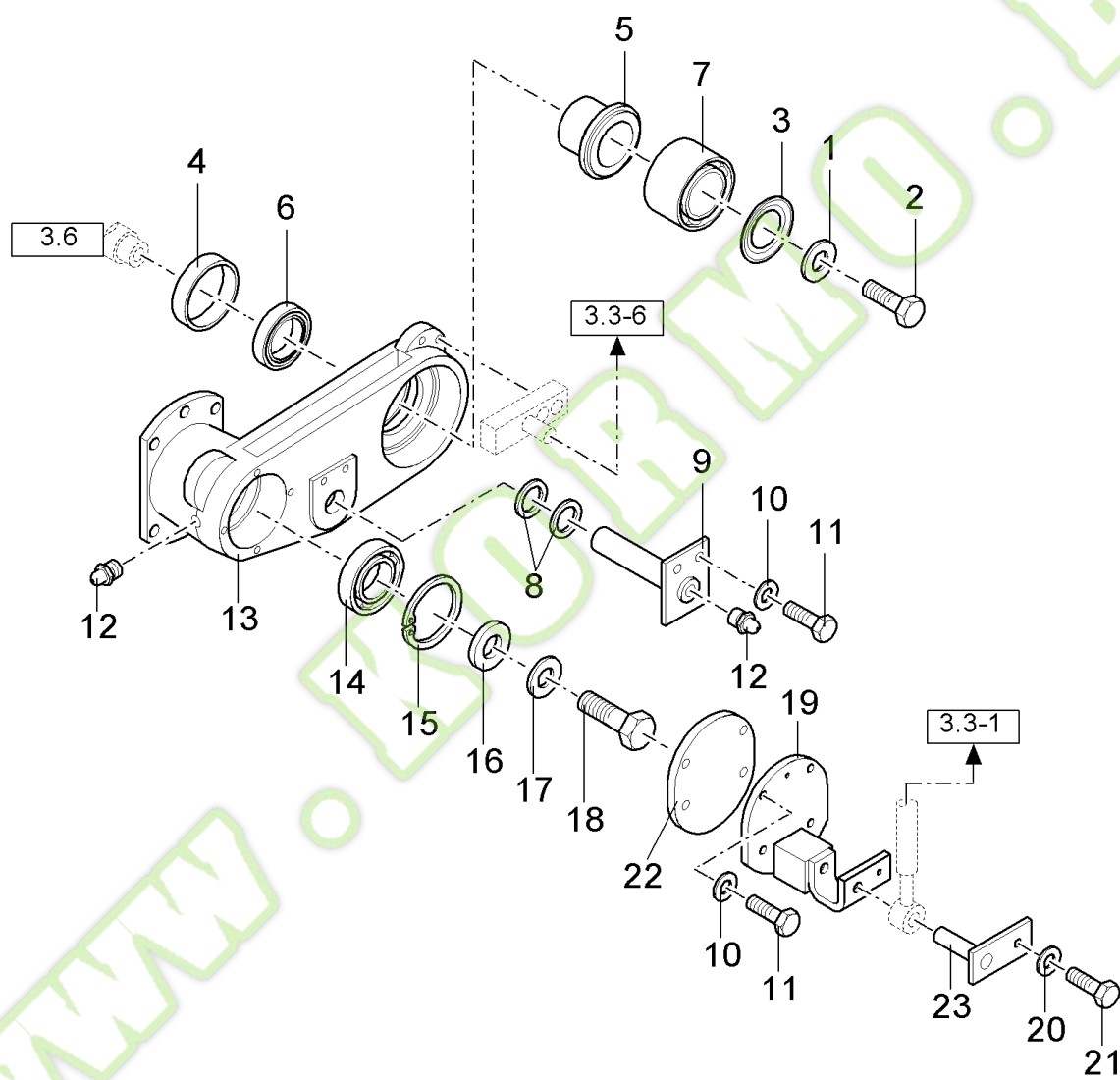
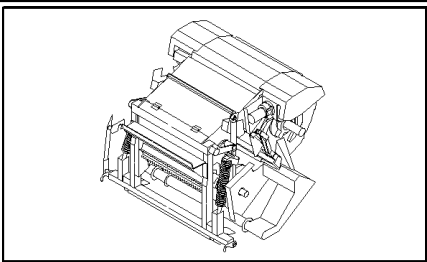




## FX48 SELF-PROPELLED FORAGE HARVESTER (9/98- )

03.09(01) UPPER FEEDROLLS, DRIVE, LH - C151

Ref	Part Number	Qty	Description
1	89811496	1	BEARING ASSY,
2	84017436	AR	PLATE, ADJUSTING,
3	84036394	1	BUSHING,
4	84000262	1	ROLLER,
5	140119	1	WASHER, {PP:80140119}
6	84036395	1	WASHER,
7	84045612	1	PIN,
8	356526	AR	WASHER, {PP:80356526}
9	84056342	1	PIN,
10	322358	4	WASHER, LOCK, {PP:80322358} Belleville, M8, 8MM
11	80120104	6	SCREW, M8x20
12	321204	2	NIPPLE, LUBE, {PP:80321204}
13	84056358	1	HUB,
14	278913	1	BEARING ASSY, {PP:80278913}
15	80300633	1	RING, SNAP,
16	80410228	1	WASHER,
17	140048	3	WASHER, LOCK, {PP:80140048} Belleville, M16, 16MM
18	86508583	1	SCREW, Hex, M16 x 35, 8.8, Hex, M16 x 35, 8.8
19	84053897	1	SUPPORT,
20	322357	1	WASHER, LOCK, {PP:80322357} Belleville, M6, Belleville, M6
21	80120099	1	SCREW, Hex, M6 x 16, 8.8, M6x16
22	84043604	1	PLATE, COVER,

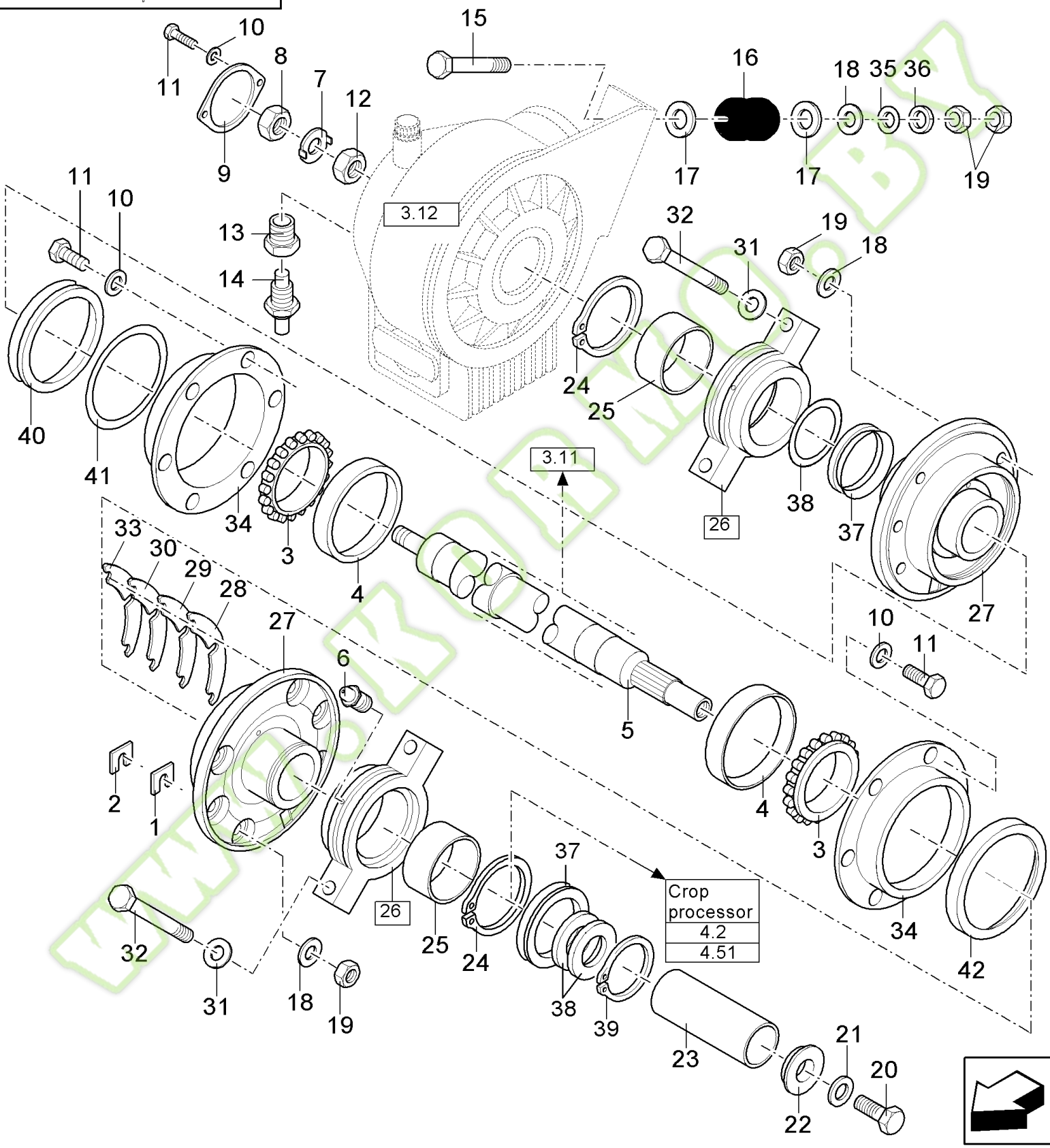
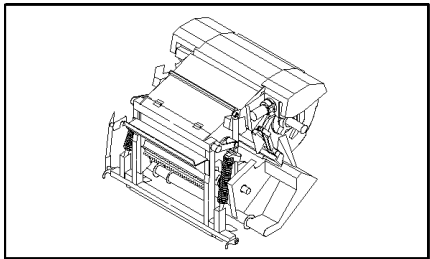


## FX48 SELF-PROPELLED FORAGE HARVESTER (9/98- )

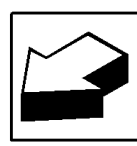
## 03.09A(01) UPPER FEEDROLLS, DRIVE, LH - D152

Ref	Part Number	Qty	Description
1	325594	1	WASHER, {PP:80325594}
2	398885	1	SCREW, {PP:80398885}
3	84100029	1	RING,
4	84078963	1	RING,
5	84320946	1	BUSHING,
6	84100030	1	RING, OIL SCRAPER,
7	84100031	1	BEARING ASSY,
8	356526	AR	WASHER, {PP:80356526}
9	84056342	1	PIN,
10	322358	4	WASHER, LOCK, {PP:80322358} Belleville, M8, 8MM
11	80120104	6	SCREW, M8x20
12	321204	2	NIPPLE, LUBE, {PP:80321204}
13	84078938	1	HUB,
14	278913	1	BEARING ASSY, {PP:80278913}
15	80300633	1	RING, SNAP,
16	80410228	1	WASHER,
17	140048	3	WASHER, LOCK, {PP:80140048} Belleville, M16, 16MM
18	86508583	1	SCREW, Hex, M16 x 35, 8.8, Hex, M16 x 35, 8.8
19	84100024	1	SUPPORT,
20	322357	1	WASHER, LOCK, {PP:80322357} Belleville, M6, Belleville, M6
21	80120099	1	SCREW, Hex, M6 x 16, 8.8, M6x16
22	84043604	1	PLATE, COVER,
23	84045612	1	PIN,

03.10(01) CUTTERHEAD



Crop processor
4.2
4.51

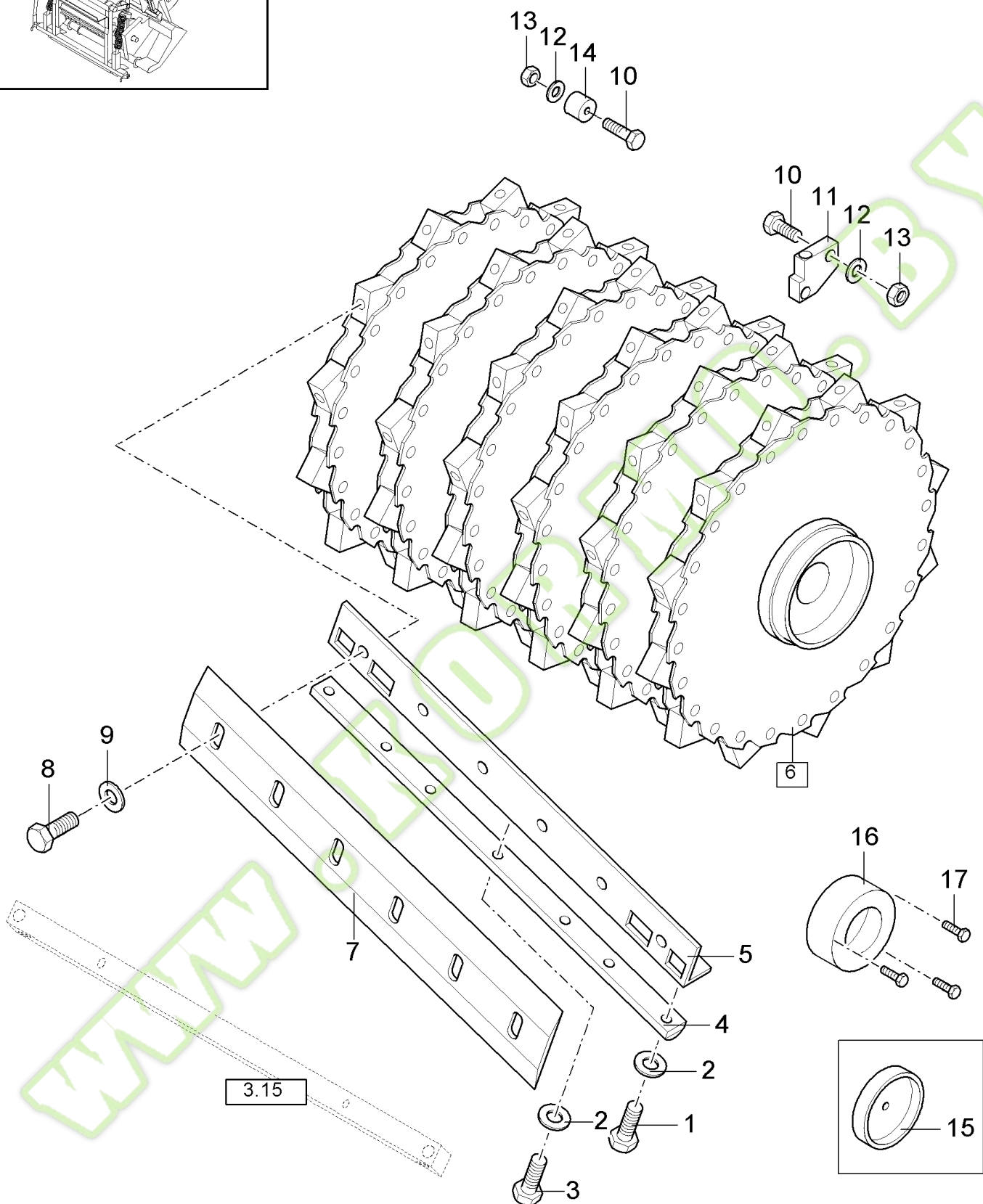
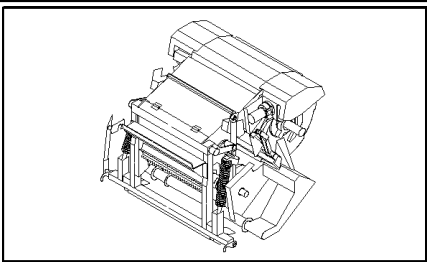


## FX48 SELF-PROPELLED FORAGE HARVESTER (9/98- )

## 03.10(01) CUTTERHEAD

Ref	Part Number	Qty	Description
1	84022134	AR	PLATE, ADJUSTING, THK.:0.15MM
2	84022133	AR	PLATE, ADJUSTING, THK.:0.1MM
3	572266	2	BEARING, CONE, {PP:80572266}
4	572265	2	BEARING, CUP, {PP:80572265}
5	84012001	1	SHAFT,
6	84043366	1	NIPPLE, LUBE, 16MM
7	84022885	1	RING,
8	100033	1	NUT, {PP:80100033} Thin, M24 x 1.5, CI 04, M24
9	84019821	1	COVER,
10	322357	12	WASHER, LOCK, {PP:80322357} Belleville, M6, Belleville, M6
11	120100	12	BOLT, {PP:80120100} Hex, M6 x 20, 8.8, M6x20
12	100024	1	NUT, {PP:80100024} M24 x 1.5, CI 8, M24
13	87628	1	BUSHING, {PP:80087628}
14	84015885	1	SWITCH, THERMOSTATIC,
15	84015573	1	SCREW, Hex, M16 x 120, 10.9, M16x120
16	632436	1	DAMPER, {PP:80632436}
17	337522	2	WASHER, LOCK, {PP:80337522} M16 x 56 x 5, 16MM
18	140048	12	WASHER, LOCK, {PP:80140048} Belleville, M16, 16MM
19	100020	14	NUT, {PP:80100020} M16, CI 8, M16, CI 8
20	84015757	1	BOLT, Hex, M24 x 40, 8.8, Full Thd, M24x40
21	84015771	1	WASHER,
22	84015775	1	RING, , WITHOUT CROP PROCESSOR
23	84068399	1	BUSHING, , WITHOUT CROP PROCESSOR
24	370010	2	CIRCLIP, {PP:80370010}
25	84015298	2	SLEEVE,
26	84056356	2	SUPPORT, (25)
27	84073181	2	HOUSING, BEARING,
28	84022138	AR	PLATE, ADJUSTING, THK.:1.5MM
29	84022137	AR	PLATE, ADJUSTING, THK.:0.5MM
30	84022136	AR	PLATE, ADJUSTING, THK.:0.25MM
31	322359	4	WASHER, LOCK, {PP:80322359} Belleville, M20, 20MM
32	395528	4	BOLT, {PP:80395528} Hex, M20 x 100, 8.8, M20x100
33	84022135	AR	PLATE, ADJUSTING, THK.:0.3MM
34	84043080	2	COVER,
35	84053238	1	WASHER,
36	84053239	1	RING,
37	84068419	1	RING, , WITHOUT CROP PROCESSOR
38	84068394	AR	SHIM, THK.:0.5MM, WITHOUT CROP PROCESSOR
39	300636	1	CIRCLIP, {PP:80300636} , WITHOUT CROP PROCESSOR
40	84068420	2	RING, , ASN D128
41	84078822	2	RING, , ASN D128
41	84068393	2	SHIM, THK.:0.5MM, COMPONENT OF CUTTERHEAD BEARING SEALS KIT, BSN C127
42	84068392	1	RING, RH, COMPONENT OF CUTTERHEAD BEARING SEALS KIT, WELDED ON ROTOR, BSN C127
42	84068396	1	RING, LH, COMPONENT OF CUTTERHEAD BEARING SEALS KIT, WELDED ON ROTOR, BSN C127

03.11(01) CUTTERHEAD, KNIVES AND CORN CRACKER



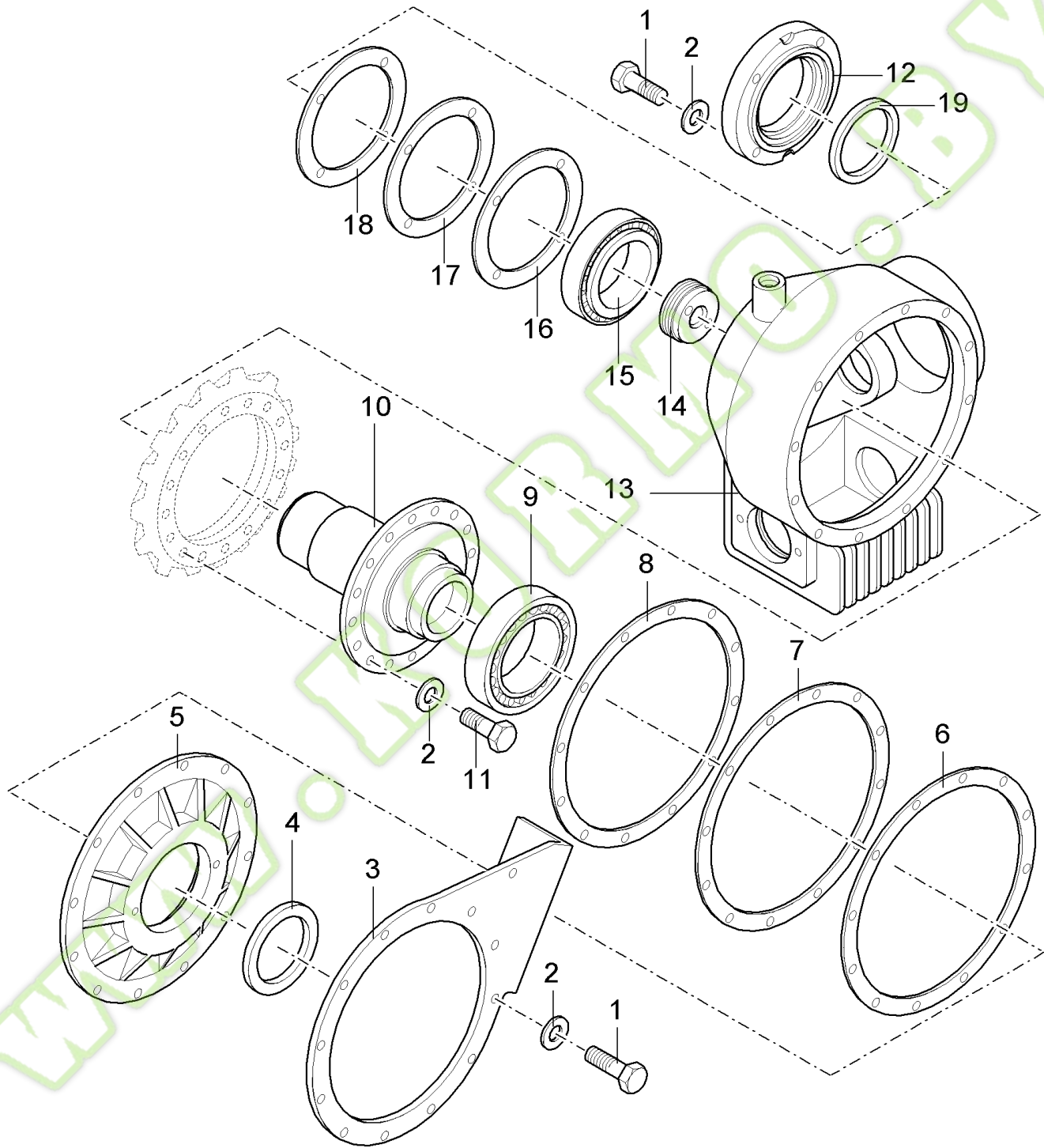
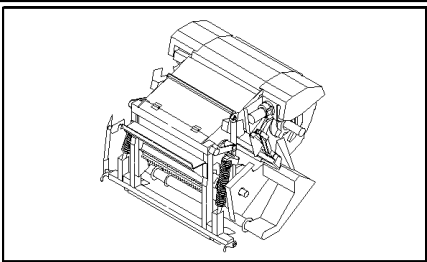
## FX48 SELF-PROPELLED FORAGE HARVESTER (9/98- )

## 03.11(01) CUTTERHEAD, KNIVES AND CORN CRACKER

Ref	Part Number	Qty	Description
1	43127	AR	BOLT, {PP:80043127} Hex, M8 x 25, 8.8, M8x25
2	322358	AR	WASHER, LOCK, {PP:80322358} Belleville, M8, 8MM
3	80120104	AR	SCREW, M8x20
4	84005242	AR	DIA KIT, HARVESTER, , ACCESSORY
5	86503031	AR	SUPPORT,
6	89806975	1	KNIFE HOLDER, (10 to 13)
6	84068811	1	KNIFE HOLDER, (10 to 14), FOR FX58 NA ONLY, WITH 8 KNIVES
7	9819423	AR	KNIFE SET, {PP:89819423} (Set of 2), SPECIFIC FOR GRASS, DO NOT MIX LUND AND BUSATIS ON ONE DRUM, LUND
7	84058342	AR	KNIFE SET, (Set of 2), SPECIFIC FOR GRASS, DO NOT MIX LUND AND BUSATIS ON ONE DRUM, BUSATIS
7	84041142	AR	KNIFE SET, (Set of 2), SPECIFIC FOR CORN
8	280732	AR	SCREW, {PP:80280732}
9	84437220	AR	WASHER,
10	385923	AR	SCREW, {PP:80385923} Hex, M16 x 55, 8.8, Full Thd, Hex, M16 x 55, 8.8, Full Thd
11	84035233	AR	SUPPORT,
12	394631	AR	WASHER, {PP:80394631} 16MM
13	100020	AR	NUT, {PP:80100020} M16, CI 8, M16, CI 8
14	84068892	48	BUSHING, , FOR FX58 NA ONLY, WITH 8 KNIVES
15	84078152	AR	RING, , SPECIAL TOOL TO FIT RINGS 84068392 AND 84068396, BSN C127
16	84078252	1	BUSHING, , COMPONENT OF CUTTERHEAD SHAFT REPAIR KIT
17	300476	3	SCREW, {PP:80300476} Hex Soc, M8 x 12 Cup Pt, M8x12, COMPONENT OF CUTTERHEAD SHAFT REPAIR KIT



03.12(01) GEARBOX

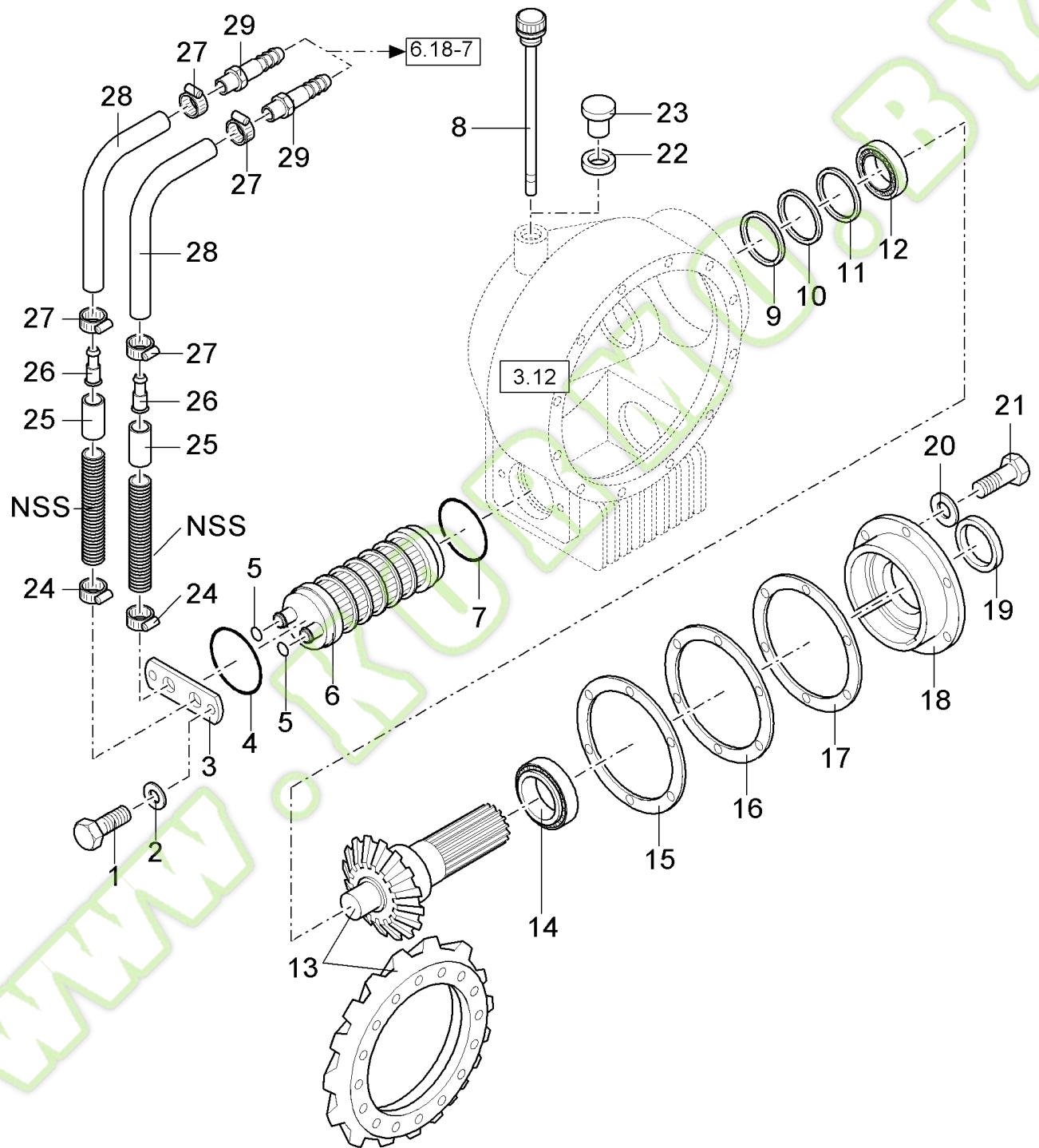
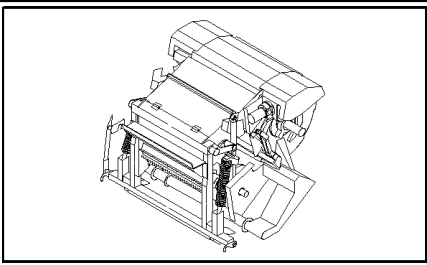


## FX48 SELF-PROPELLED FORAGE HARVESTER (9/98- )

## 03.12(01) GEARBOX

Ref	Part Number	Qty	Description
	89623000	1	GEARBOX, Incl.figs. 3.12 and 3.13, BSN C201
	89623000	1	GEARBOX, , COMER PARTS NOT YET AVAILABLE, ASN D202
1	120112	16	SCREW, {PP:80120112} Hex, M10 x 40, 8.8, Full Thd, M10x40
2	140045	32	WASHER, LOCK, {PP:80140045} Belleville, M10, 10MM
3	84007715	1	PLATE, COVER, , BSN C229
3	84807807	1	PLATE, COVER, , ASN D230
4	84015422	1	ELEMENT, SEALING, , BSN C151
4	84074275	1	RING, OIL SCRAPER, , ASN D152
5	89622996	1	COVER,
6	89800210	AR	SHIM, THK.:0.4MM
7	89800211	AR	SHIM, THK.:0.3MM
8	89800212	AR	SHIM, THK.:0.25MM
9	412284	1	BEARING ASSY, {PP:80412284}
10	89623001	1	HUB,
11	84053789	16	SCREW, M10x25
12	89804379	1	COVER,
13	89623003	1	GEARBOX,
14	89804351	1	NUT,
15	84011248	1	BEARING ASSY,
16	89804381	AR	SHIM, THK.:0.25MM
17	89804382	AR	SHIM, THK.:0.3MM
18	89804383	AR	SHIM, THK.:0.4MM
19	750298	1	ELEMENT, SEALING, {PP:80750298} , BSN C151
19	84074276	1	RING, OIL SCRAPER, , ASN D152

03.13(01) GEARBOX

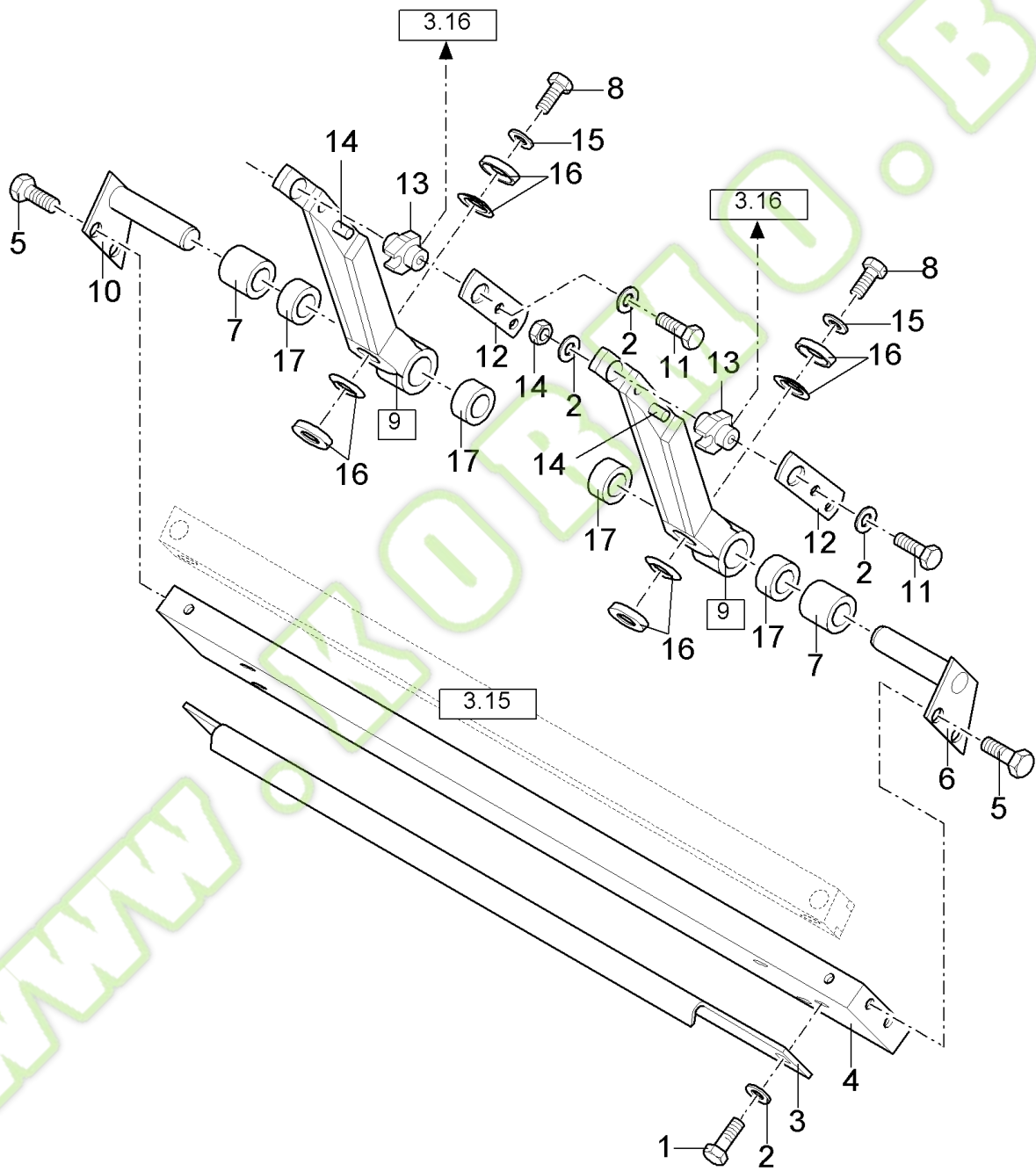
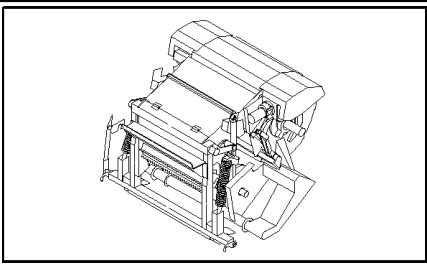


## FX48 SELF-PROPELLED FORAGE HARVESTER (9/98- )

## 03.13(01) GEARBOX

Ref	Part Number	Qty	Description
2	322358	2	WASHER, LOCK, {PP:80322358} Belleville, M8, 8MM
3	84015511	1	PLATE,
4	608377	1	O-RING, {PP:80608377} -234, CI 7, 2.984" ID x .139" Thk,
5	122056	1	O-RING, {PP:80122056} -017, 70 Duro, .676" ID x .070" Thk,
6	84031079	1	HEAT EXCHANGER,
7	271622	1	O-RING, {PP:80271622} -231, 70 Duro, 2.609" ID x .139" Thk,
8	84015504	1	INDICATOR, , ORDER SEPARATELY, NOT INCLUDED IN GEARBOX, BSN C201
9	644320	AR	SHIM, {PP:80644320} THK.:0.25MM
10	89801742	AR	SHIM, THK.:0.3MM
11	89801743	AR	SHIM, THK.:0.4MM
12	84011249	1	BEARING ASSY,
13	89803177	1	GEAR SET,
14	84011224	1	BEARING ASSY,
15	89623005	AR	SHIM, THK.:0.4MM
16	89623006	AR	SHIM, THK.:0.25MM
17	89801744	AR	SHIM, THK.:0.3MM
18	89622998	1	HUB,
19	220020	1	RING, OIL SCRAPER, {PP:80220020} , BSN C151
19	84074274	1	RING, OIL SCRAPER, , ASN D152
20	140045	6	WASHER, LOCK, {PP:80140045} Belleville, M10, 10MM
21	43140	6	BOLT, {PP:80043140} Hex, M10 x 30, 8.8, M10x30
22	84021928	1	RING,
23	387512	1	PLUG, {PP:80387512}
24	326082	2	CLAMP, {PP:80326082} , ORDER SEPARATELY, NOT INCLUDED IN GEARBOX
25	9501676	2	HOSE, FLEXIBLE, {PP:89501676} 19x4, ORDER SEPARATELY, NOT INCLUDED IN GEARBOX, BSN C151
26	84043504	2	CONNECTOR, HYD., , ORDER SEPARATELY, NOT INCLUDED IN GEARBOX, BSN C151
27	84038324	4	CLAMP, , ORDER SEPARATELY, NOT INCLUDED IN GEARBOX, BSN C151
28	84043020	2	HOSE, , ORDER SEPARATELY, NOT INCLUDED IN GEARBOX
29	84017825	2	COUPLING, QUICK, MALE, , ORDER SEPARATELY, NOT INCLUDED IN GEARBOX, BSN C151
29	84320546	2	COUPLING, QUICK, MALE, , BSN F152201
29	84607509	2	COUPLING, QUICK, MALE, , ASN D202
1	16043224	2	SCREW, Hex, M8 x 16, 8.8, Full Thd, M8x16

03.14(01) SHEARBAR ADJUSTMENT

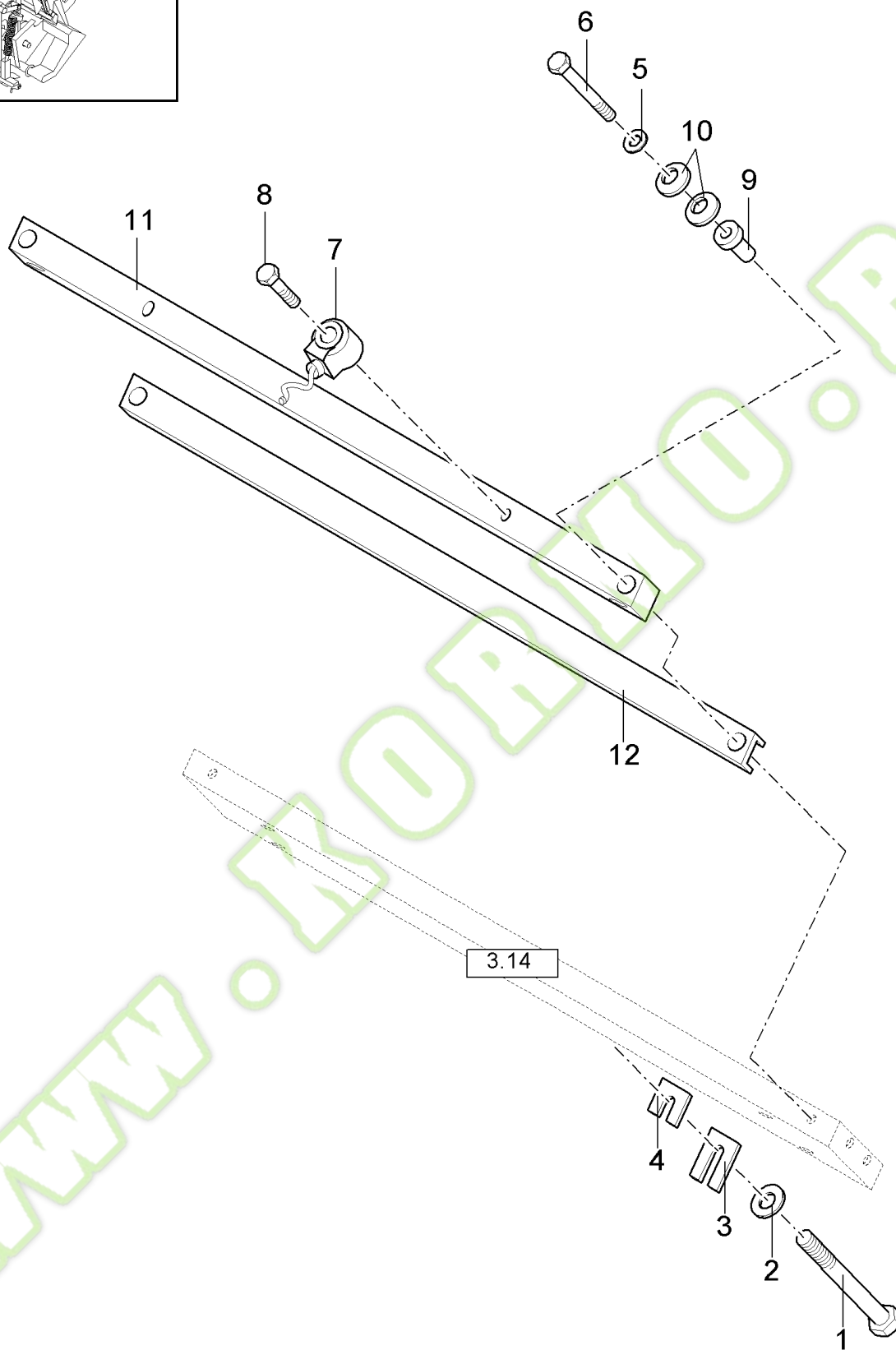
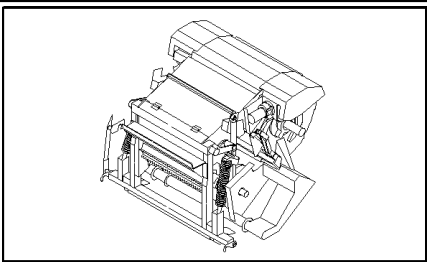


## FX48 SELF-PROPELLED FORAGE HARVESTER (9/98- )

## 03.14(01) SHEARBAR ADJUSTMENT

Ref	Part Number	Qty	Description
1	9706687	2	SCREW, {PP:89706687} Hex, M12 x 30, 8.8, M12x30
2	394630	2	WASHER, {PP:80394630} 12MM
3	84036892	1	BLADE, SCRAPER,
4	84042945	1	SUPPORT,
5	161697	4	BOLT, {PP:80161697} M14x1.5
6	751296	1	SUPPORT, {PP:80751296}
7	84021005	2	SPACER,
8	280227	2	SCREW, {PP:80280227} Hex, 3/4-16 x 4 1/4", G8,
9	84056357	2	LEVER, (17,22)
10	84021713	1	SUPPORT,
11	300512	2	SCREW, {PP:80300512} Hex, M12 x 55, 8.8, M12x55
12	84068666	2	PLATE,
13	84037660	2	PIN,
14	84022333	2	PIN,
15	378247	2	WASHER, {PP:80378247} 20MM
16	84045639	4	SET OF RINGS,
17	210026	4	BUSHING, {PP:80210026}

03.15(01) SHEARBAR



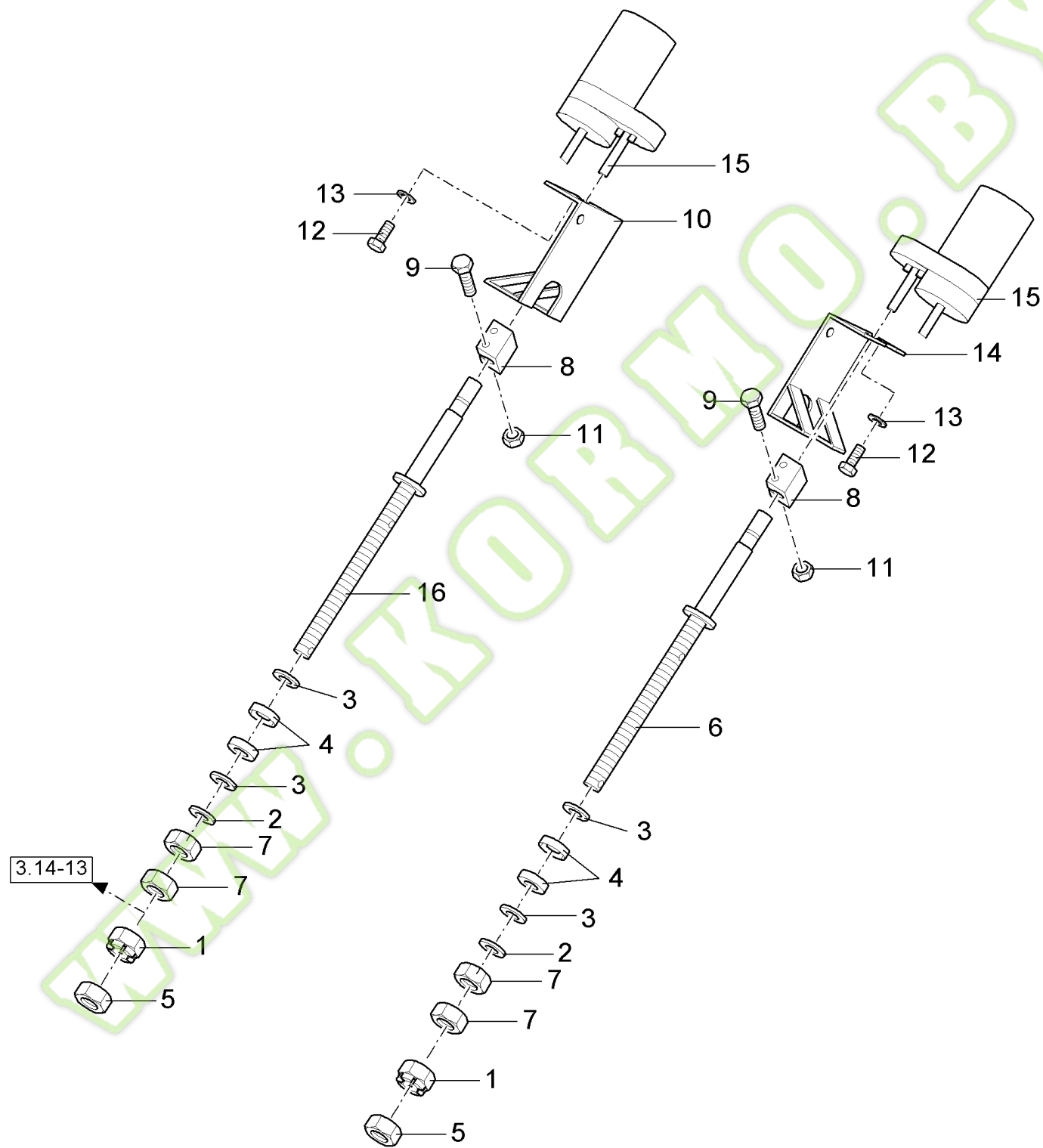
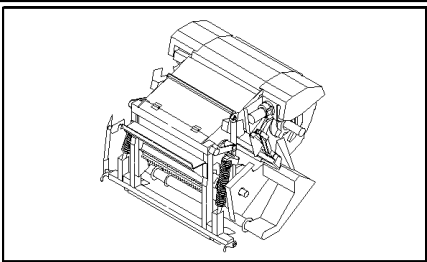
## FX48 SELF-PROPELLED FORAGE HARVESTER (9/98- )

## 03.15(01) SHEARBAR

Ref	Part Number	Qty	Description
1	86508586	3	SCREW, Hex, M16 x 240, 8.8, M16x240, BSN C113
1	84100159	3	SCREW, Hex, M16 x 250, 8.8, M16x250, ASN D114
2	140048	3	WASHER, LOCK, {PP:80140048} Belleville, M16, 6MM
3	84039023	AR	SHIM, THK.:0.5MM
4	84039024	AR	SHIM, THK.:0.3MM
5	140046	2	WASHER, LOCK, {PP:80140046} Belleville, M12, 12MM
6	9706717	2	SCREW, {PP:89706717} Hex, M12 x 70, 8.8, Full Thd, Hex, M12 x 70, 8.8, Full Thd
7	84058692	2	SENSOR,
8	43128	2	SCREW, {PP:80043128} Hex, M8 x 30, 8.8, Cap, HH, CL 8.8, M8 x 1.25 x 30
9	84038820	2	SPACER,
10	861575	12	DISC, {PP:80861575}
11	84062352	1	SHEAR BAR, Corn
11	84058335	1	SHEAR BAR, Grass, BUSATIS
11	84100395	1	SHEAR BAR, Maize, HEAVY DUTY, ASN D190
11	84062351	1	SHEAR BAR, Grass, LUND
12	84038417	1	PLATE, COVER,



03.16(01) SHEARBAR ADJUSTMENT

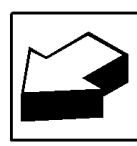
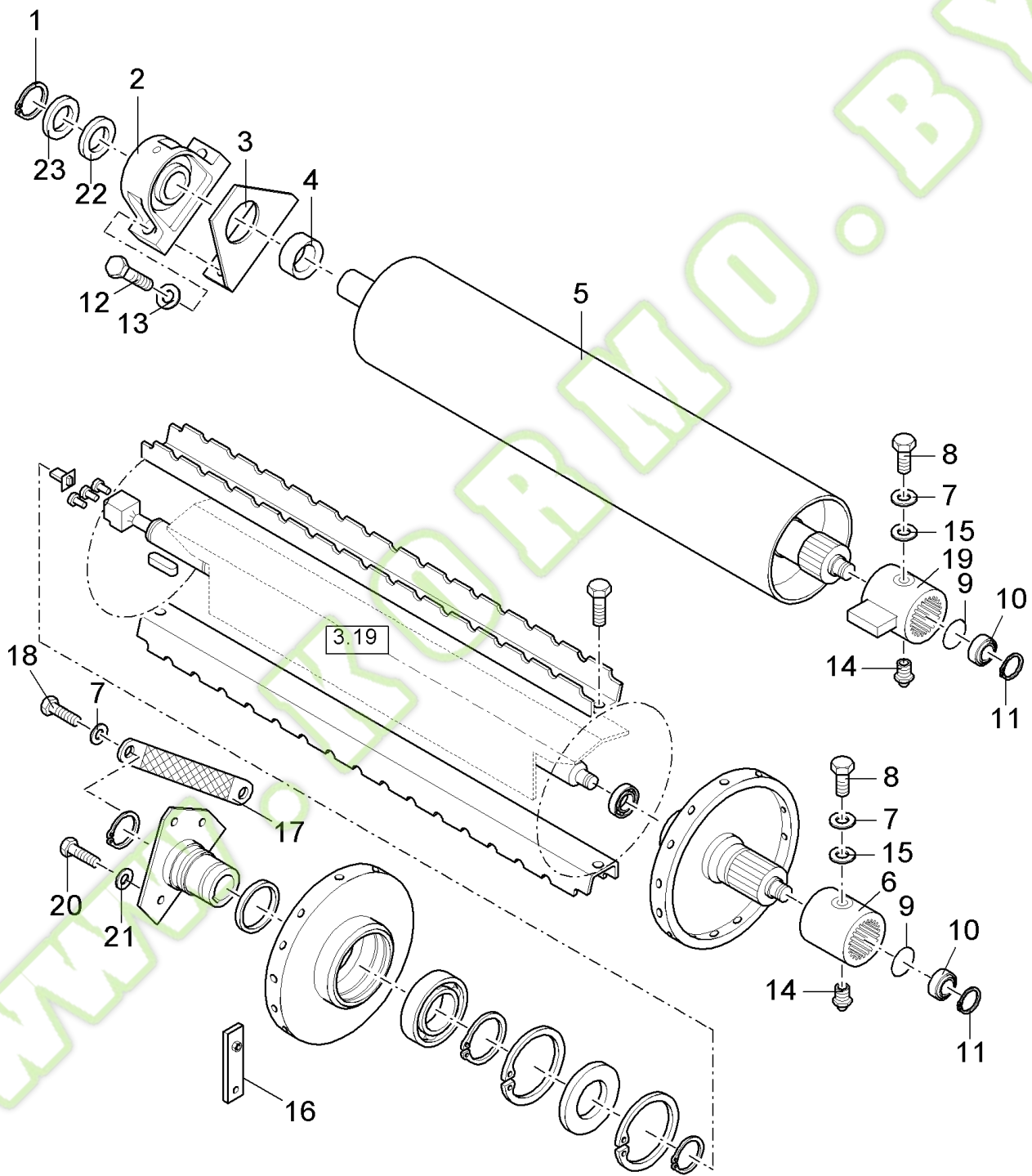
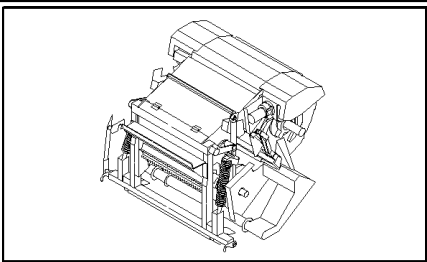


## FX48 SELF-PROPELLED FORAGE HARVESTER (9/98- )

## 03.16(01) SHEARBAR ADJUSTMENT

Ref	Part Number	Qty	Description
1	84045296	2	NUT, 5/8"
2	378246	2	WASHER, {PP:80378246} 16MM
3	49637	4	WASHER, {PP:80049637} 16MM
4	851697	4	CLAMP, {PP:80851697}
5	9636972	2	NUT, {PP:89636972} Jam, 5/8"-11, G2, 5/8"
6	84014743	1	ROD,
7	280374	4	NUT, {PP:80280374} 5/8"-11, G5, G5, 5/8"-11
8	84068366	2	BLOCK, CONNECTING,
9	412479	4	SCREW, {PP:80412479} Hex, M8 x 35, 8.8, M8x35, BSN C092
9	43128	4	SCREW, {PP:80043128} Hex, M8 x 30, 8.8, Cap, HH, CL 8.8, M8 x 1.25 x 30, ASN D093
10	84036696	1	SUPPORT,
11	43442	4	NUT, {PP:80043442} M8 x 1.25", CI 8, M8
12	9707580	6	SCREW, {PP:89707580} Hex, 1/4"-20 x 3/4", G5, Full Thd, .25"x.75"
13	322357	6	WASHER, LOCK, {PP:80322357} Belleville, M6, Belleville, M6
14	84036697	1	SUPPORT,
15	84019725	2	MOTOR, ELECTRIC,
16	89808157	1	ROD,

03.17(01) LOWER FEEDROLLS WITH METAL DETECTOR

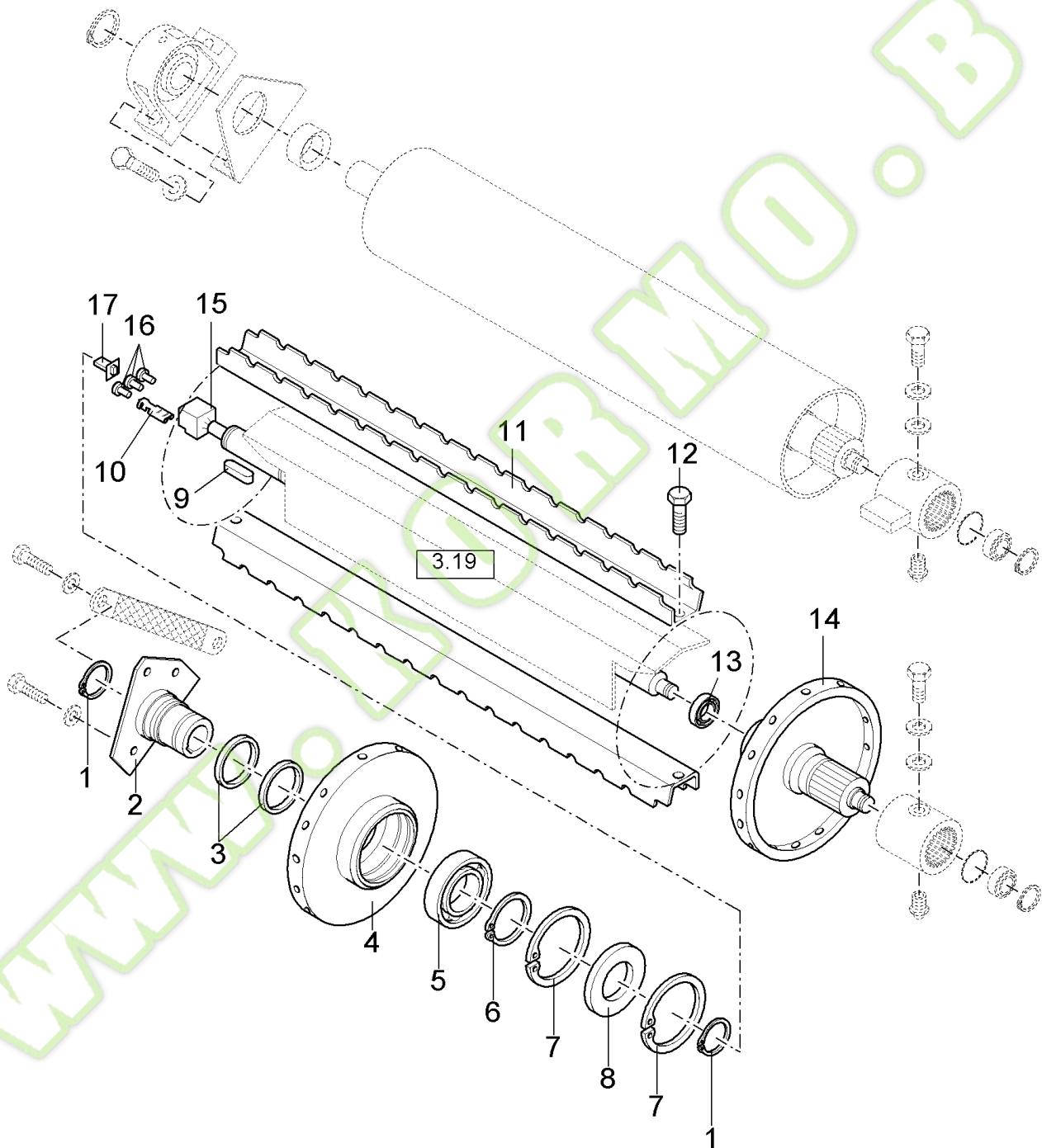
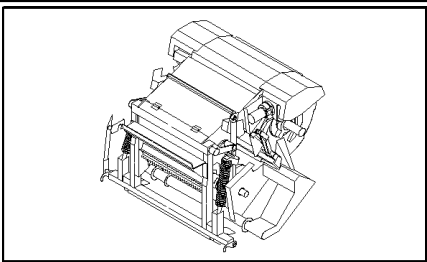


## FX48 SELF-PROPELLED FORAGE HARVESTER (9/98- )

## 03.17(01) LOWER FEEDROLLS WITH METAL DETECTOR

Ref	Part Number	Qty	Description
1	370004	1	CIRCLIP, {PP:80370004}
2	84037010	1	BEARING ASSY,
3	89835431	1	PLATE, COVER,
4	84017070	1	BUSHING,
5	89804073	1	ROLLER,
6	84004877	1	BLOCK, COUPLING,
7	322358	3	WASHER, LOCK, {PP:80322358} Belleville, M8,
8	84017119	2	SCREW, Hex Soc, M8 x 16,
9	84012754	2	O-RING,
10	84004940	2	BEARING ASSY,
11	370024	2	RING, SNAP, {PP:80370024}
12	86629541	2	BOLT, Hex, M12 x 40, 8.8, Full Thd, M12x40
13	140046	2	WASHER, LOCK, {PP:80140046} Belleville, M12, 12MM
14	321204	2	NIPPLE, LUBE, {PP:80321204}
15	378243	2	WASHER, {PP:80378243}
16	84062651	1	SUPPORT,
17	635541	1	CABLE, GROUND, {PP:80635541}
18	80120104	1	SCREW, M8x20
19	84058814	1	BLOCK, COUPLING,
20	43138	3	SCREW, {PP:80043138} Hex, M10 x 20, 8.8, Full Thd, M10x20
21	140045	3	WASHER, LOCK, {PP:80140045} Belleville, M10, 10MM
22	58630	AR	SHIM, {PP:80058630} THK.:0.8MM
23	84017436	AR	PLATE, ADJUSTING, THK.:0.2MM

03.18(01) LOWER FEEDROLLS WITH METAL DETECTOR

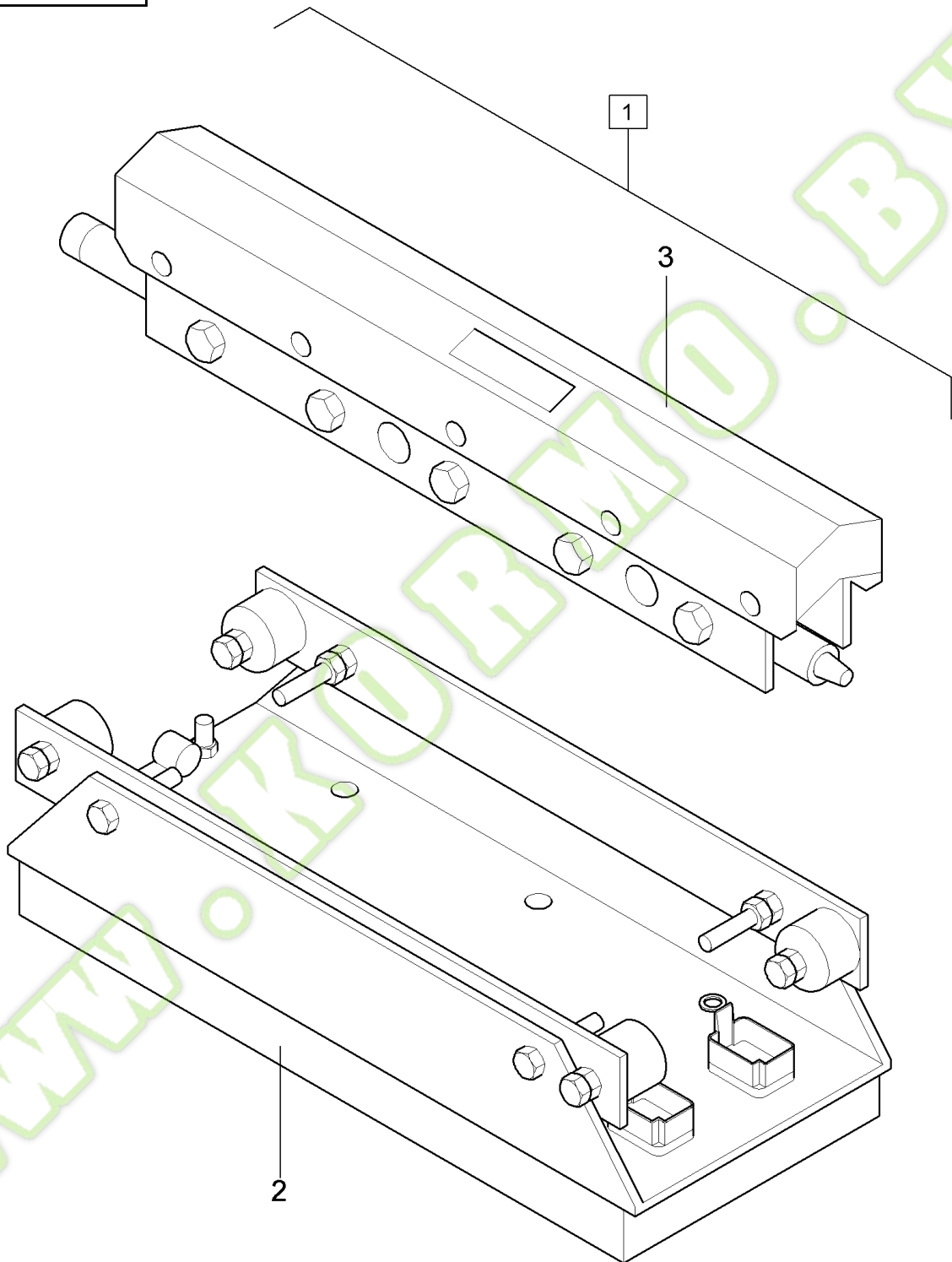
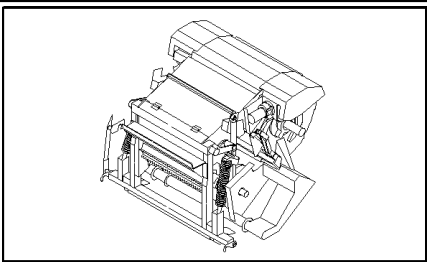


## FX48 SELF-PROPELLED FORAGE HARVESTER (9/98- )

## 03.18(01) LOWER FEEDROLLS WITH METAL DETECTOR

Ref	Part Number	Qty	Description
1	40974	2	RING, SNAP, {PP:80040974} #125, Ext, #125, Ext
2	84056348	1	SUPPORT, , BSN C201
2	84807345	1	SUPPORT, , ASN D202
3	89850344	1	SET OF RINGS,
4	84004936	1	HUB,
5	84004939	1	BEARING ASSY,
6	370008	1	CIRCLIP, {PP:80370008}
7	370013	2	RING, SNAP, {PP:80370013}
8	80419954	1	GASKET,
9	170030	1	KEY, {PP:80170030}
10	84018979	5	TERMINAL,
11	84038048	1	ROLLER,
12	84056909	32	BOLT, Hex, Lock, M10 x 25,
13	362804	1	BEARING, BALL, {PP:80362804}
14	89827156	1	HUB,
15	84018972	1	CONNECTOR, , BSN C173
16	84018985	3	PLUG, , BSN C173
17	84018978	1	LOCK, , BSN C173

03.19(01) METAL DETECTOR ASSEMBLY



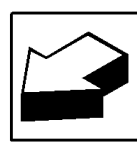
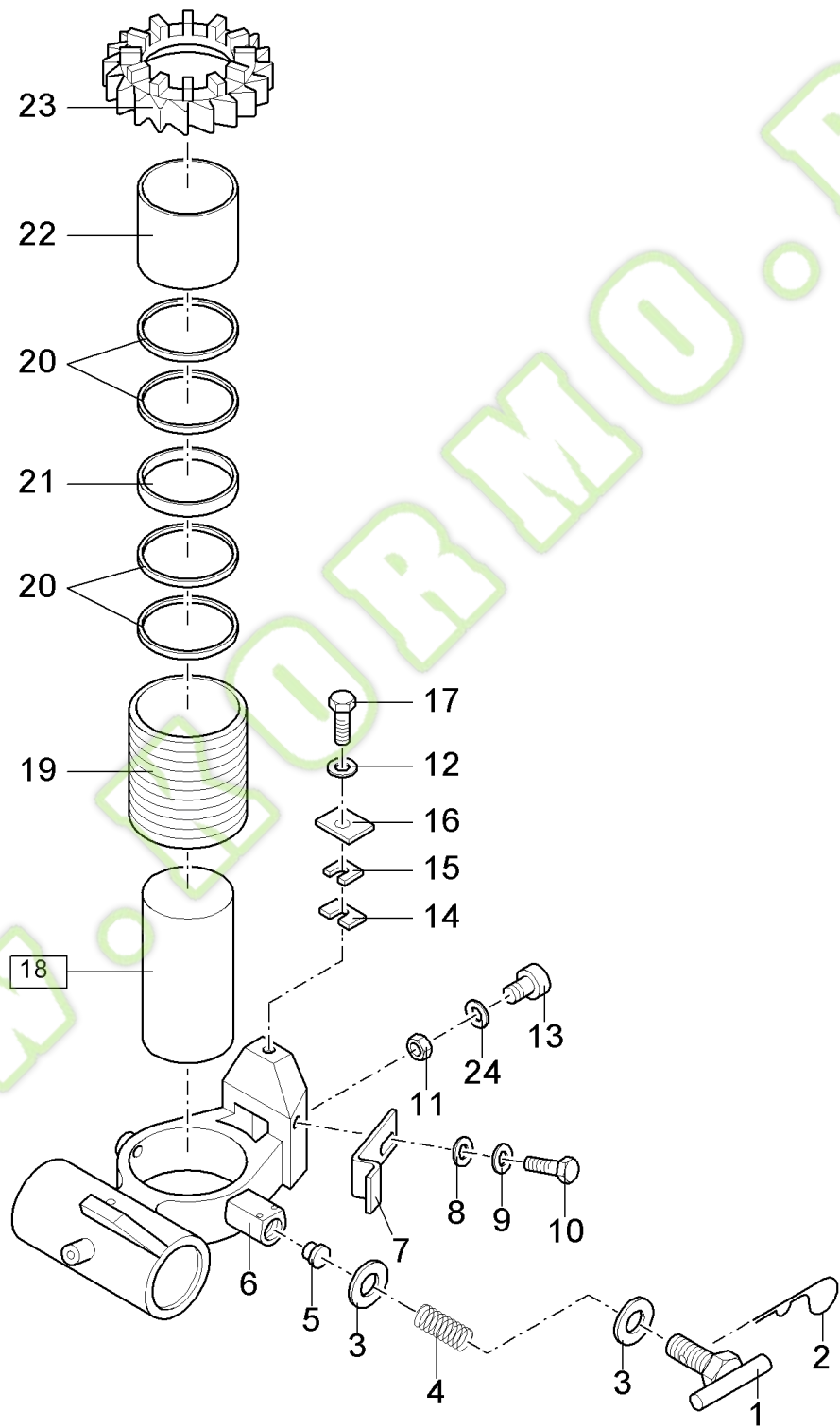
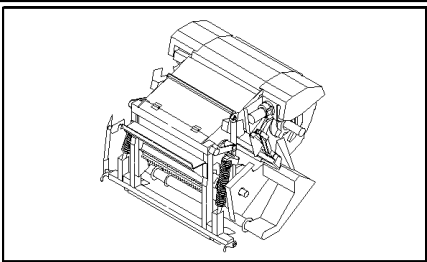
## 03.19(01) METAL DETECTOR ASSEMBLY

Ref	Part Number	Qty	Description
1	84022922	1	DETECTOR, METAL, (2,3), BSN C147
1	84100706	1	DETECTOR, METAL, , BSN F148173
1	84400176	1	DETECTOR, METAL, (2,3), ASN D174
2	86516392	1	ELECTRONIC UNIT, CONTROL, , BSN C147
2	84078327	1	ELECTRONIC UNIT, CONTROL, , ASN D148
3	86516391	1	KIT,

WWW.KORMO.BY



03.20(01) KNIFE SHARPENER

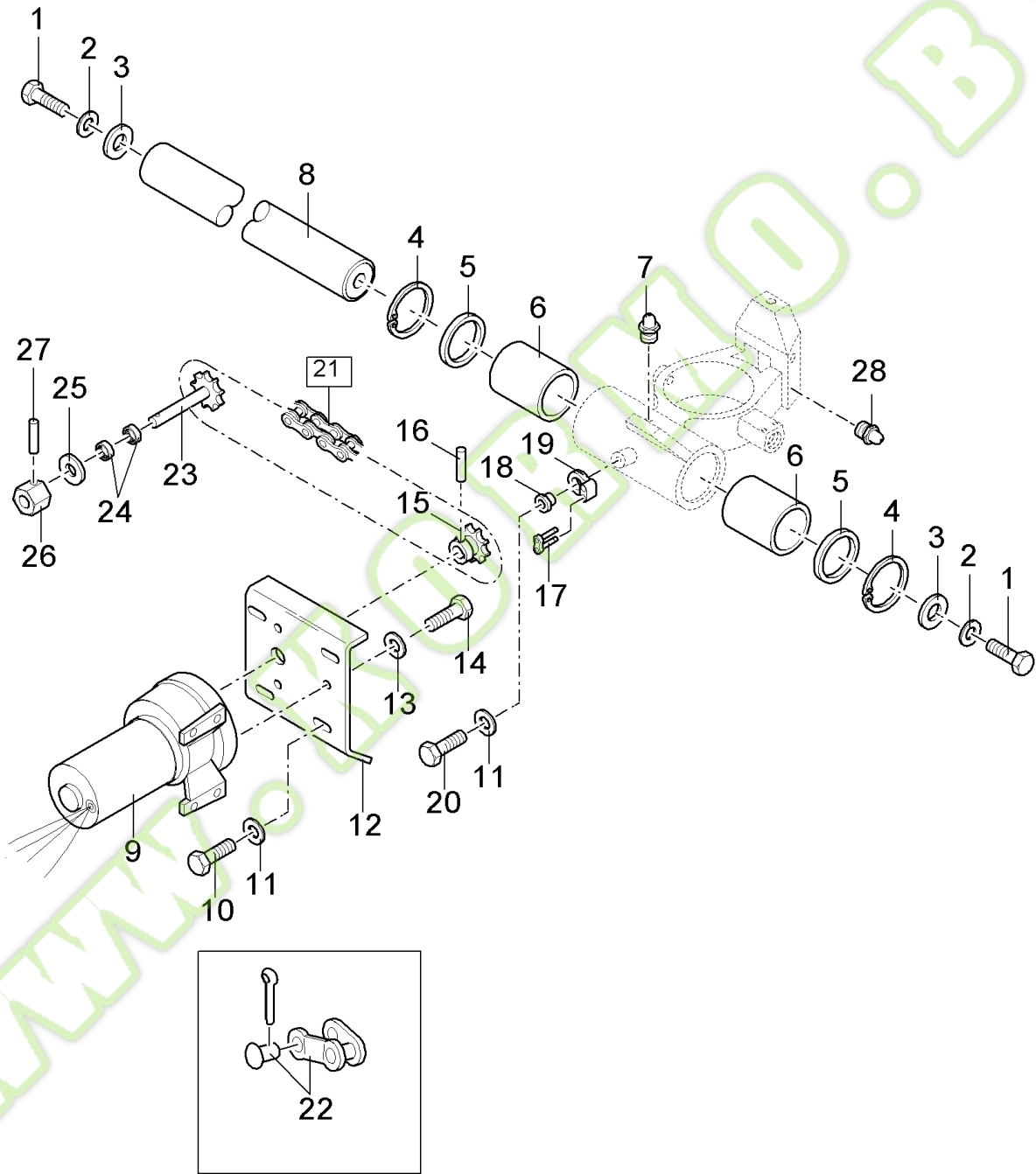
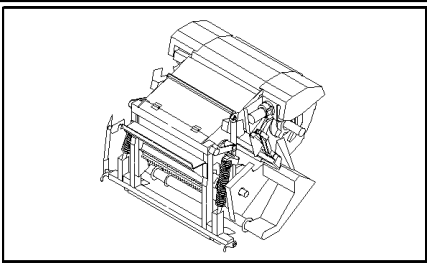


## FX48 SELF-PROPELLED FORAGE HARVESTER (9/98- )

## 03.20(01) KNIFE SHARPENER

Ref	Part Number	Qty	Description
1	84004557	1	ROD,
2	86511448	1	PIN, SPLIT (COTTER),
3	140015	1	WASHER, {PP:80140015} 6MM
4	29524	1	SPRING, {PP:80029524}
5	788299	1	PLUG, {PP:80788299}
6	84004476	1	SUPPORT,
7	9806478	1	CLIP, SPRING, {PP:89806478}
8	378243	1	WASHER, {PP:80378243} 8MM
9	322358	1	WASHER, LOCK, {PP:80322358} Belleville, M8, 8MM
10	80120104	1	SCREW, M8x20
11	84022934	1	NUT, M10 x 1, CI 8, M10
12	322357	2	WASHER, LOCK, {PP:80322357} Belleville, M6, Belleville, M6
13	84004515	1	ROLLER,
14	84022925	AR	PLATE, ADJUSTING, THK.:0.15MM
15	84022926	AR	PLATE, ADJUSTING, THK.:0.5MM
16	84032606	1	PLATE, COVER,
17	120100	1	BOLT, {PP:80120100} Hex, M6 x 20, 8.8, M6x20
18	84056379	1	GRINDSTONE,
18	84056378	1	GRINDSTONE, , FOR BUSATIS KNIVES ONLY, WITH YELLOW TOP SURFACE ONLY,SPECIFIC FOR CORN
19	NH774493	1	HOLDER, {PP:80774493}
20	774490	4	RING, RUBBER, {PP:80774490}
21	774491	1	SHIM, {PP:80774491}
22	774492	1	SPACER, {PP:80774492}
23	774484	1	CAP, {PP:80774484} , BSN C201
23	84806519	1	HOUSING, , ASN D202
24	140045	1	WASHER, LOCK, {PP:80140045} Belleville, M10,

03.21(01) KNIFE SHARPENER

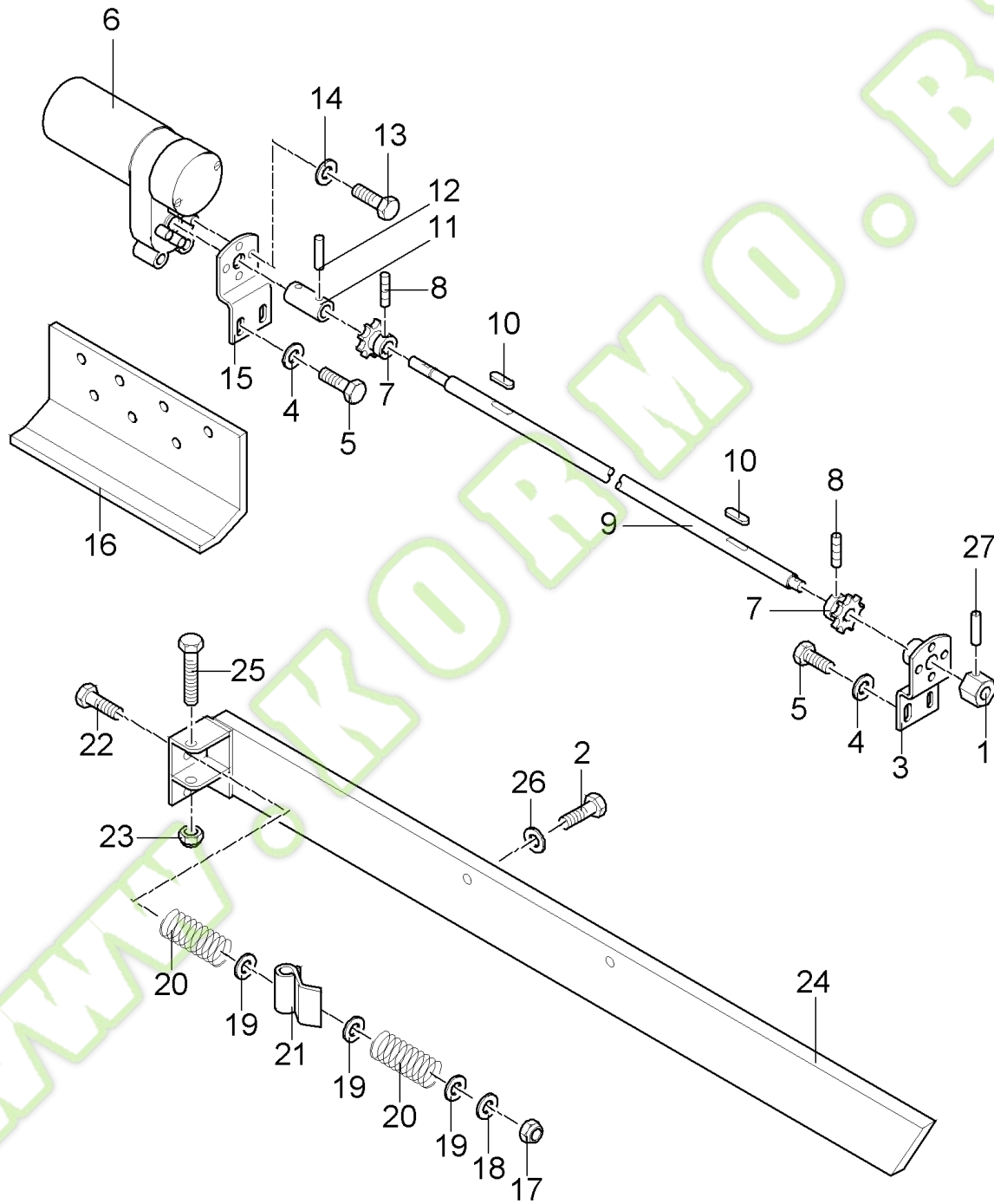
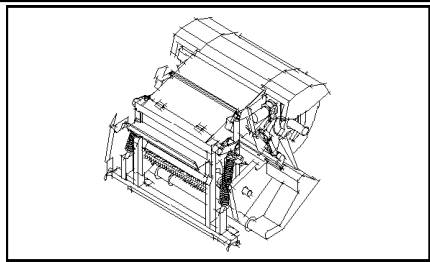


## FX48 SELF-PROPELLED FORAGE HARVESTER (9/98- )

## 03.21(01) KNIFE SHARPENER

Ref	Part Number	Qty	Description
1	43168	2	SCREW, {PP:80043168} Hex, M16 x 40, 8.8, Hex, M16 x 40, 8.8
2	140048	2	WASHER, LOCK, {PP:80140048} Belleville, M16, 16MM
3	84022135	AR	PLATE, ADJUSTING,
4	370012	2	CIRCLIP, {PP:80370012}
5	84014095	2	ELEMENT, SEALING,
6	697045	2	BEARING ASSY, {PP:80697045}
7	323787	1	NIPPLE, LUBE, {PP:80323787}
8	89835162	1	SHAFT,
9	84019727	1	MOTOR, ELECTRIC, SMALL,
10	43128	4	SCREW, {PP:80043128} Hex, M8 x 30, 8.8, Cap, HH, CL 8.8, M8 x 1.25 x 30
11	322358	5	WASHER, LOCK, {PP:80322358} Belleville, M8, 8MM
12	89809223	1	SUPPORT,
13	322357	3	WASHER, LOCK, {PP:80322357} Belleville, M6, Belleville, M6
14	280641	3	SCREW, {PP:80280641} Hex, 1/4"-20 x 5/8", G5, Full Thd, .25"x.625"
15	84017037	1	SPROCKET, DRIVEN,
16	84012755	1	SCREW, Hex Soc, M6 x 5, M6x5
17	9620443	1	LINK, CONNECTING, {PP:89620443}
18	9617010	1	SPACER, {PP:89617010}
19	9620444	1	CONNECTOR, HYD., {PP:89620444}
20	84041541	1	SCREW, Hex, M8 x 20, 8.8, Full Thd, M8
21	89835411	1	CHAIN, (22)
22	25815	1	LINK, CONNECTING, {PP:80025815}
23	84000304	1	SPROCKET, DRIVEN,
24	791972	2	BEARING ASSY, {PP:80791972}
25	791993	2	WASHER, {PP:80791993}
26	84015867	1	RING,
27	393871	1	PIN, ROLL, {PP:80393871} M5 x 30, Slotted,
28	321204	1	NIPPLE, LUBE, {PP:80321204}

03.22(01) KNIFE SHARPENER

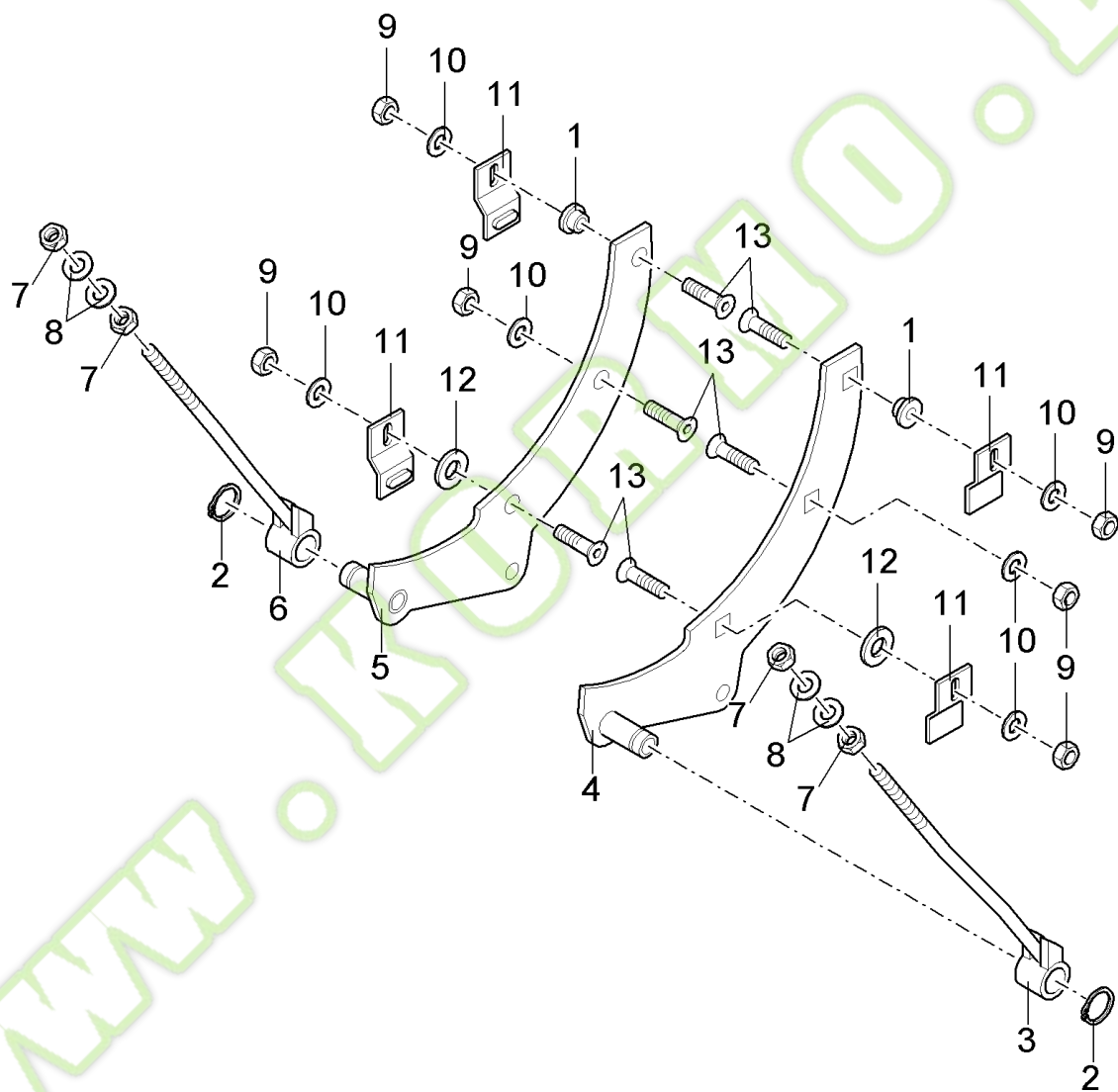
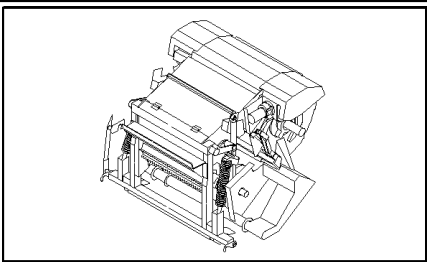


## FX48 SELF-PROPELLED FORAGE HARVESTER (9/98- )

## 03.22(01) KNIFE SHARPENER

Ref	Part Number	Qty	Description
1	84015867	1	RING,
2	43140	7	BOLT, {PP:80043140} Hex, M10 x 30, 8.8, M10x30
3	89809086	1	SUPPORT,
4	140046	4	WASHER, LOCK, {PP:80140046} Belleville, M12, 12MM
5	86517808	4	SCREW, Cap, HH, CL 8.8, M12 x 1.75 x 25
6	84019724	1	MOTOR, ELECTRIC, SMALL,
7	84017038	2	SPROCKET, DRIVEN,
8	84012755	2	SCREW, Hex Soc, M6 x 5, M6x5
9	84068816	1	SHAFT,
10	336126	2	KEY, {PP:80336126}
11	84019855	1	BLOCK, COUPLING,
12	130045	2	PIN, {PP:80130045} M5 x 26, Slotted,
13	9707580	4	SCREW, {PP:89707580} Hex, 1/4"-20 x 3/4", G5, Full Thd, .25"x.75"
14	322357	4	WASHER, LOCK, {PP:80322357} Belleville, M6, Belleville, M6
15	84017797	1	SUPPORT,
16	84031574	1	PLATE,
17	353308	1	NUT, {PP:80353308} M6 x 1, CI 8, M6
18	140015	1	WASHER, {PP:80140015} 6MM
19	130298	3	SHIM, {PP:80130298}
20	35674	2	SPRING, {PP:80035674}
21	84043010	1	BRACKET,
22	80043118	1	SCREW, Cap, HH, CL 8.8, M6 x 1 x 40
23	100037	1	NUT, {PP:80100037} M10 x 1.5, CI 8, M10
24	84032931	1	SUPPORT,
26	140045	7	WASHER, LOCK, {PP:80140045} Belleville, M10, 10MM
27	393871	1	PIN, ROLL, {PP:80393871} M5 x 30, Slotted,
25	43144	1	SCREW, {PP:80043144} Hex, M10 x 70, 8.8, M10x70

03.23(01) CUTTERHEAD ACCESSORIES

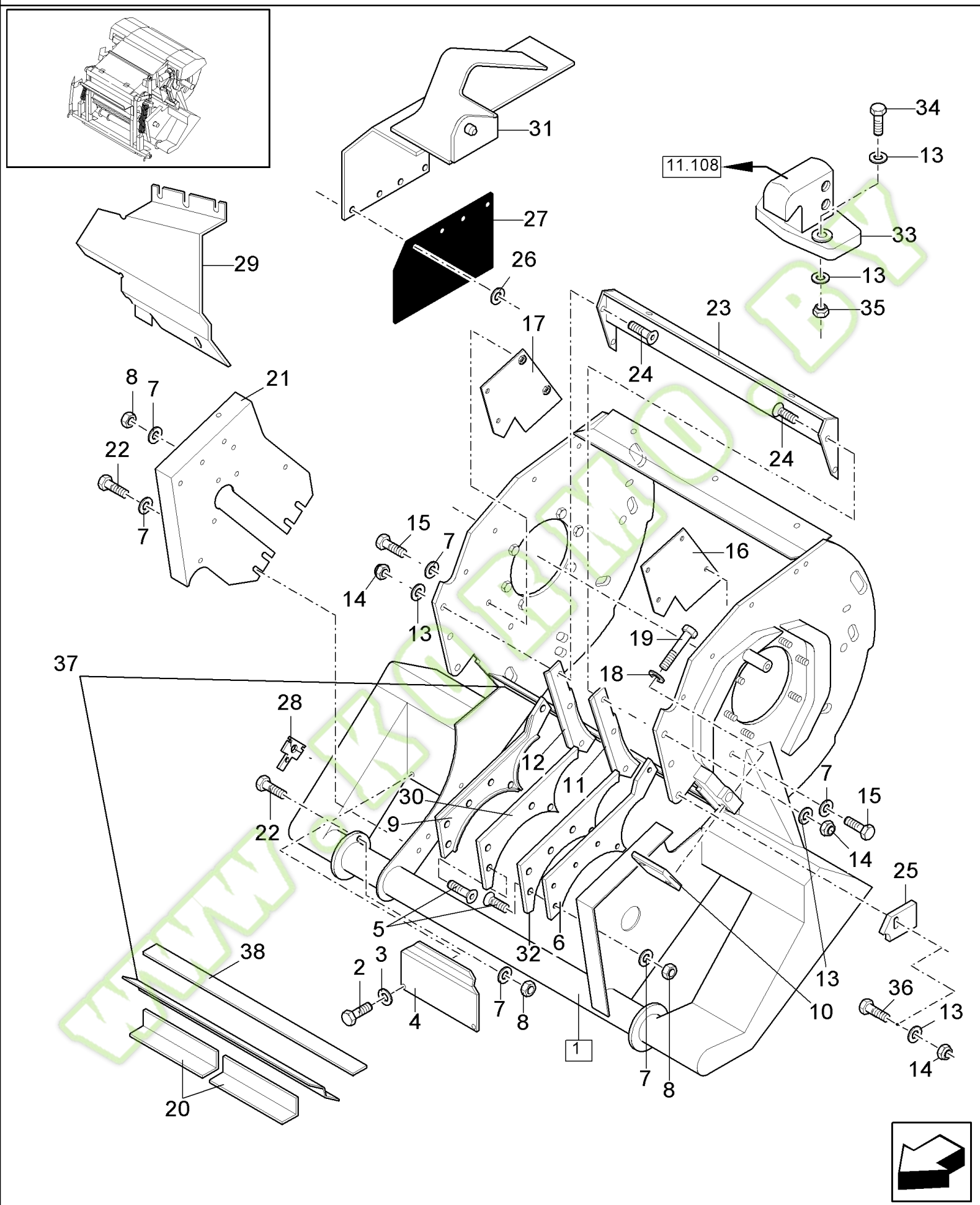


## 03.23(01) CUTTERHEAD ACCESSORIES

Ref	Part Number	Qty	Description
1	84012049	4	SPACER,
2	80370002	2	CIRCLIP,
3	84012054	1	TIE-ROD,
4	89850234	1	PROFILE, , FOR NA ONLY
4	84058776	1	PROFILE,
5	89850235	1	PROFILE, , FOR NA ONLY
5	84058775	1	PROFILE,
6	84000206	1	TIE-ROD,
7	89706685	4	NUT, M12
8	140046	4	WASHER, LOCK, {PP:80140046} Belleville, M12, 12MM
9	100016	6	NUT, {PP:80100016} M10, CI 8, M10
10	140045	6	WASHER, LOCK, {PP:80140045} Belleville, M10, 10MM
11	84018137	4	COVER,
12	362810	2	WASHER, {PP:80362810}
13	84018214	6	BOLT, M10x35



03.24(01) CUTTERHEAD FRAME

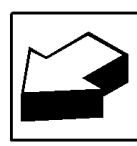
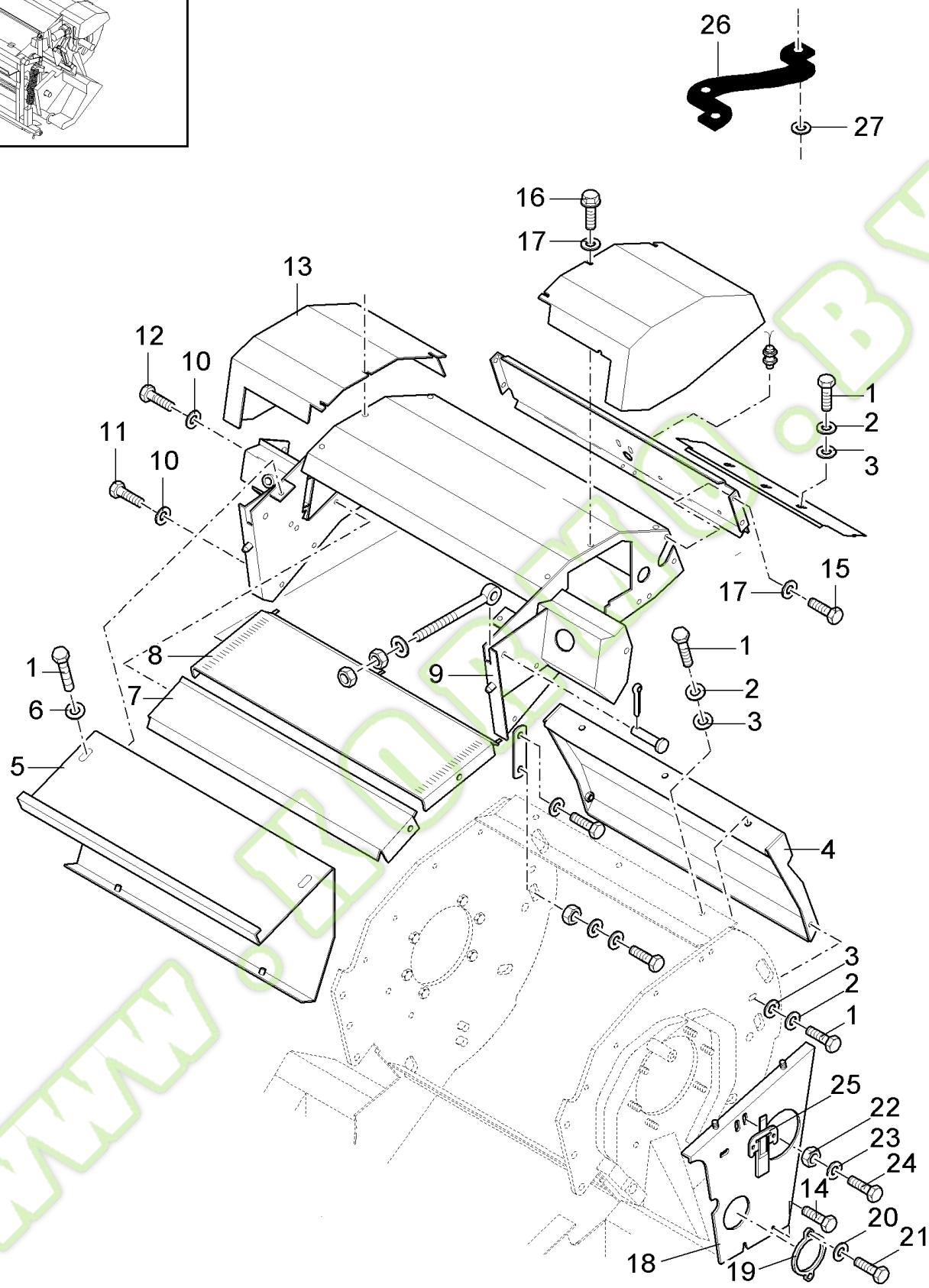
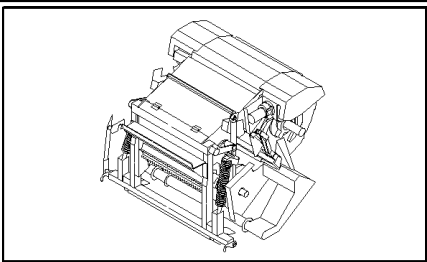


## FX48 SELF-PROPELLED FORAGE HARVESTER (9/98- )

## 03.24(01) CUTTERHEAD FRAME

Ref	Part Number	Qty	Description
1	84058661	1	CUTTERHEAD, (20)
2	80120104	2	SCREW, M8x20
3	322358	AR	WASHER, LOCK, {PP:80322358} Belleville, M8, 8MM
4	84068773	1	COVER,
5	392127	12	SCREW, {PP:80392127} M10
6	84036724	1	PLATE, COVER,
7	140045	AR	WASHER, LOCK, {PP:80140045} Belleville, M10, 10MM
8	100016	13	NUT, {PP:80100016} M10, CI 8, M10
9	84036725	1	PLATE, COVER,
10	89808768	2	BLOCK,
11	84036551	1	GUIDE, , BSN C197
11	84607566	1	GUIDE, , ASN D198
12	84607563	1	GUIDE, , BSN C197
12	84607563	1	GUIDE, , ASN D198
13	140046	AR	WASHER, LOCK, {PP:80140046} Belleville, M12, 12MM
14	100038	AR	NUT, LOCK, {PP:80100038} M12 x 1.75, CI 8, M12
15	9706687	4	SCREW, {PP:89706687} Hex, M12 x 30, 8.8, M12x30
16	89839485	1	PLATE, COVER,
17	89839486	1	PLATE, COVER,
18	140048	4	WASHER, LOCK, {PP:80140048} Belleville, M16, 6MM
19	350616	4	SCREW, {PP:80350616} Hex, M16 x 90, 8.8, M16x90
20	84042946	2	PLATE, COVER, Weld on
21	84036744	1	PLATE, COVER,
22	43140	AR	BOLT, {PP:80043140} Hex, M10 x 30, 8.8, M10x30
23	84056592	1	SUPPORT,
24	300502	6	SCREW, {PP:80300502} Hex Soc Flat Hd, M12 x 40, 8.8, M12x40
25	84058781	2	PLATE,
26	140182	4	WASHER, {PP:80140182} M5 x 18 x 2,
27	84056437	1	CANVAS,
28	84032700	AR	SUPPORT,
29	84056812	1	SHIELD,
30	84038863	1	PLATE, COVER,
31	84056431	1	GUARD,
32	84038864	1	PLATE, COVER,
33	84056708	1	HOOK,
34	86629541	3	BOLT, Hex, M12 x 40, 8.8, Full Thd,
35	89706685	3	NUT,
36	84058886	2	SCREW, Hex Soc Flat Hd, M12 x 45, 10.9,
37	89835197	1	PLATE, , WELD-ON
38	84062482	1	PLATE, , WELD-ON

03.25(01) SHIELDS

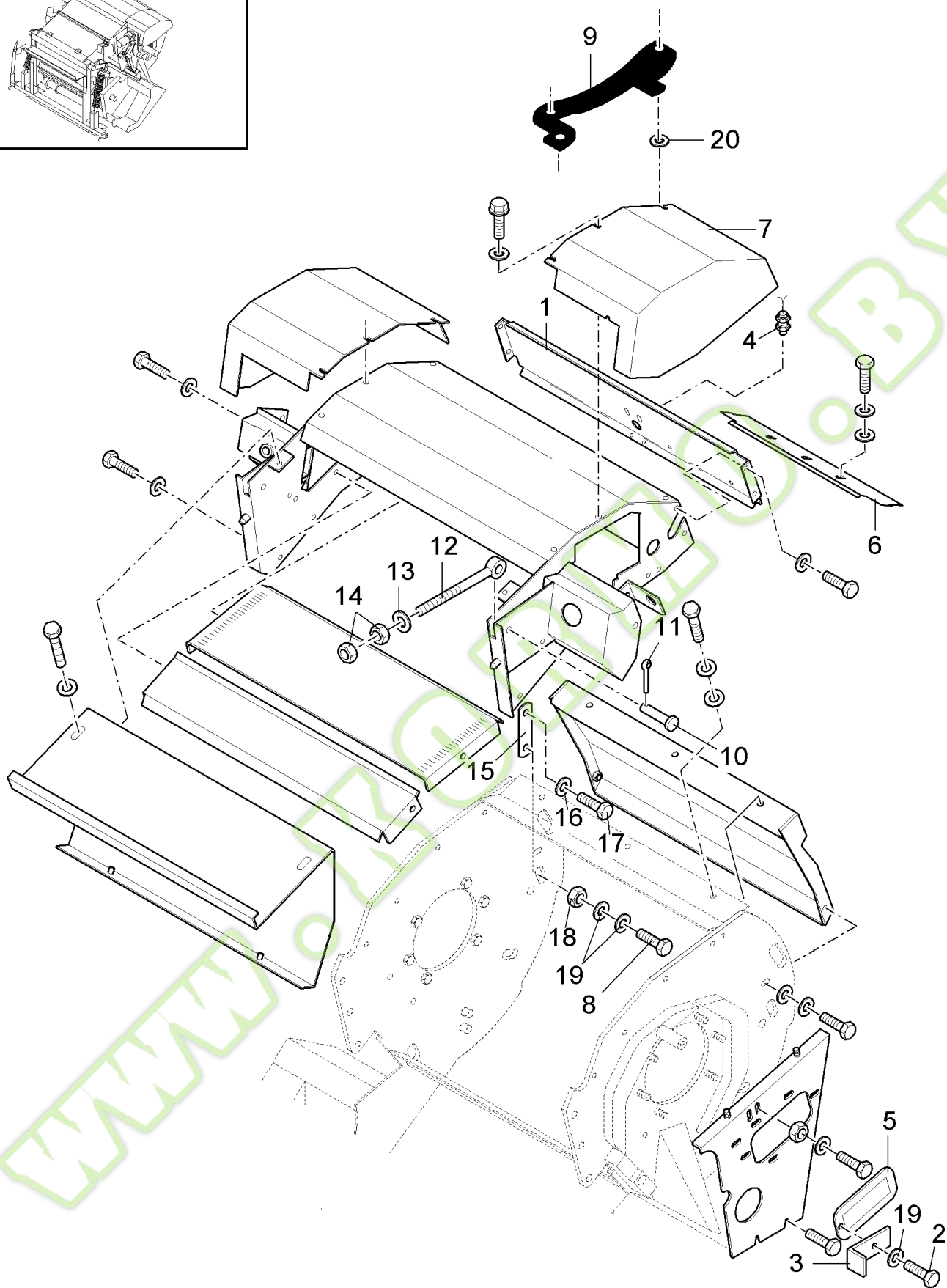
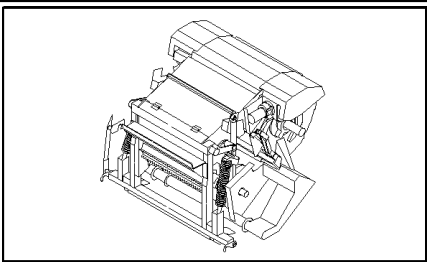


## FX48 SELF-PROPELLED FORAGE HARVESTER (9/98- )

## 03.25(01) SHIELDS

Ref	Part Number	Qty	Description
1	43140	10	BOLT, {PP:80043140} Hex, M10 x 30, 8.8, M10x30
2	140045	AR	WASHER, LOCK, {PP:80140045} Belleville, M10, 10MM
3	378244	AR	WASHER, LOCK, {PP:80378244} 10MM
4	84062555	1	COVER, , NOT FOR NA
4	84062555	1	COVER, 266mm Wide, FOR NA ONLY, BSN C193
4	84075427	1	COVER, 239mm Wide, FOR NA ONLY, ASN D174
5	84038830	1	COVER,
6	140042	2	WASHER, LOCK, {PP:80140042} M10 x 34 x 3, 10MM
7	89809704	1	PLATE, COVER,
8	84068815	1	COVER,
9	84058653	1	PANEL, BOXED,
10	140046	8	WASHER, LOCK, {PP:80140046} Belleville, M12, 12MM
11	80043151	6	SCREW, M12x20
12	86517808	2	SCREW, Cap, HH, CL 8.8, M12 x 1.75 x 25
13	84043270	1	GUARD,
14	391510	3	SCREW, {PP:80391510} M8x20
15	80120104	4	SCREW, M8x20
16	391510	AR	SCREW, {PP:80391510} M8x20
17	322358	7	WASHER, LOCK, {PP:80322358} Belleville, M8, 8MM
18	84019363	1	COVER,
19	84019821	1	COVER,
20	322357	1	WASHER, LOCK, {PP:80322357} Belleville, M6, Belleville, M6
21	120100	1	BOLT, {PP:80120100} Hex, M6 x 20, 8.8, M6x20
22	86508813	2	NUT, M4, CI 8, M5
23	322356	2	WASHER, LOCK, {PP:80322356}
24	80300806	2	SCREW, M5x10
25	244457	1	CLAMP, {PP:80244457}
26	84039259	1	BAND, , FOR NA ONLY
27	140182	2	WASHER, {PP:80140182} M5 x 18 x 2,

03.26(01) SHIELDS

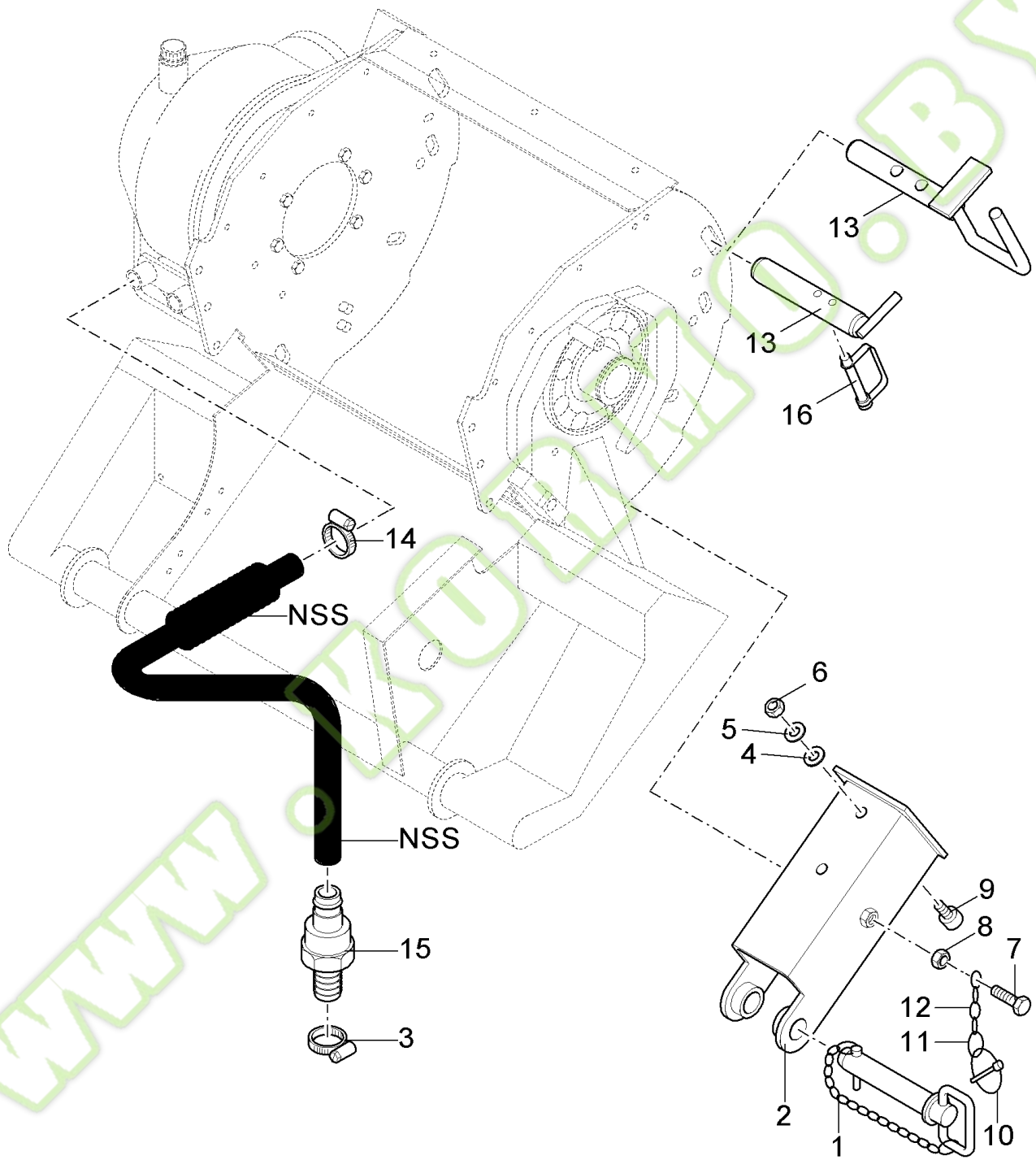
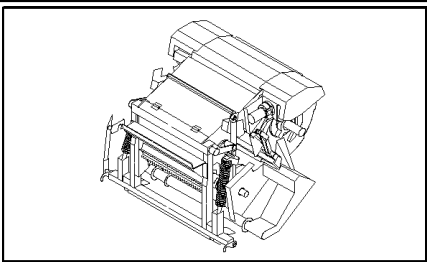


## FX48 SELF-PROPELLED FORAGE HARVESTER (9/98- )

## 03.26(01) SHIELDS

Ref	Part Number	Qty	Description
1	84038827	1	COVER,
2	80120104	1	SCREW,
3	425093	1	CLIP, {PP:80425093}
4	84056994	3	SENSOR,
5	84053087	1	COVER,
6	84038826	1	PLATE,
7	84043271	1	GUARD,
8	43128	1	SCREW, {PP:80043128} Hex, M8 x 30, 8.8, Cap, HH, CL 8.8, M8 x 1.25 x 30
9	84039232	1	BAND, , FOR NA ONLY
10	390071	2	PIN, {PP:80390071}
11	130007	2	PIN, SPLIT (COTTER), {PP:80130007} M4 x 25, , BSN C143
11	130004	2	PIN, SPLIT (COTTER), {PP:80130004} M3.2 x 25, , ASN D144
12	84023279	2	BOLT,
13	378246	2	WASHER, {PP:80378246} 6MM
14	100020	4	NUT, {PP:80100020} M16, Cl 8, M16, Cl 8
15	84022631	1	BRACKET,
16	140046	1	WASHER, LOCK, {PP:80140046} Belleville, M12,
17	9706687	1	SCREW, {PP:89706687} Hex, M12 x 30, 8.8, M12x30
18	89706690	1	NUT, CL 8, M8 x 1.25 x 13.0
19	322358	3	WASHER, LOCK, {PP:80322358} Belleville, M8,
20	140182	2	WASHER, {PP:80140182} M5 x 18 x 2,

03.27(01) CUTTERHEAD ACCESSORIES



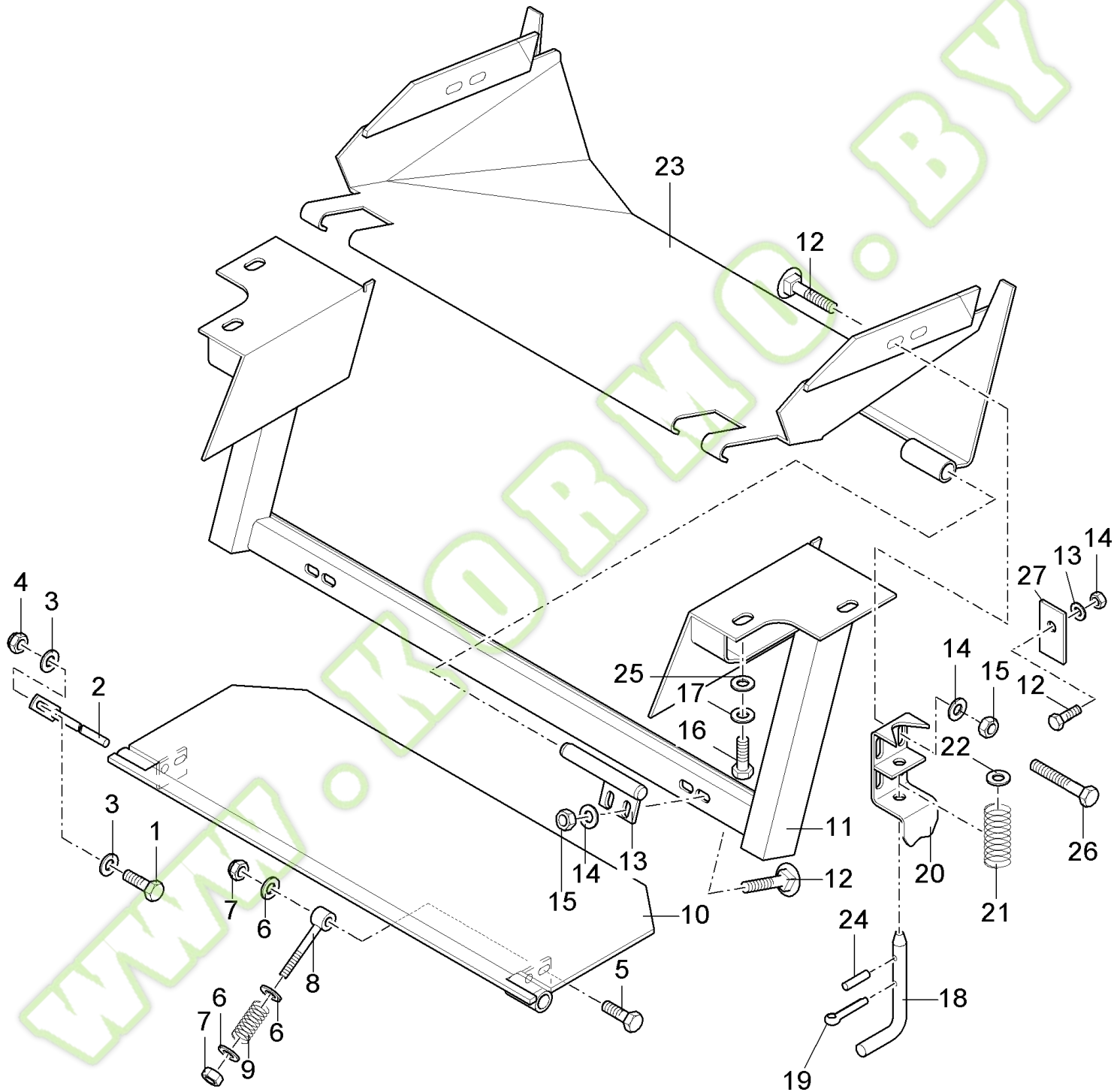
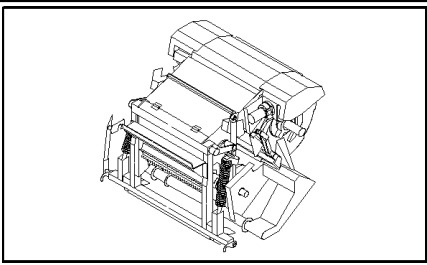
## FX48 SELF-PROPELLED FORAGE HARVESTER (9/98- )

## 03.27(01) CUTTERHEAD ACCESSORIES

Ref	Part Number	Qty	Description
1	84014750	2	PIN,
2	84042542	2	SUPPORT, , BSN C185
2	84435093	2	COVER, , ASN D186
3	84038324	2	CLAMP,
4	140015	2	WASHER, {PP:80140015}
5	322357	2	WASHER, LOCK, {PP:80322357} Belleville, M6, Belleville, M6
6	9706755	4	NUT, {PP:89706755} M6, CI 8, M6
7	9706717	2	SCREW, {PP:89706717} Hex, M12 x 70, 8.8, Full Thd, Hex, M12 x 70, 8.8, Full Thd
8	89706685	2	NUT, M12
9	916454	2	DAMPER, {PP:80916454}
10	84021024	2	PIN, ROLL,
11	354957	2	HOOK, {PP:80354957}
12	9506868	2	CHAIN, {PP:89506868}
13	89837146	1	HANDLE, , BSN C185
13	84806524	1	HANDLE, , ASN D186
14	326082	2	CLAMP, {PP:80326082}
15	84017825	2	COUPLING, QUICK, MALE,
16	647695	1	PIN, {PP:80647695}



03.28(01) GRASS PLATE

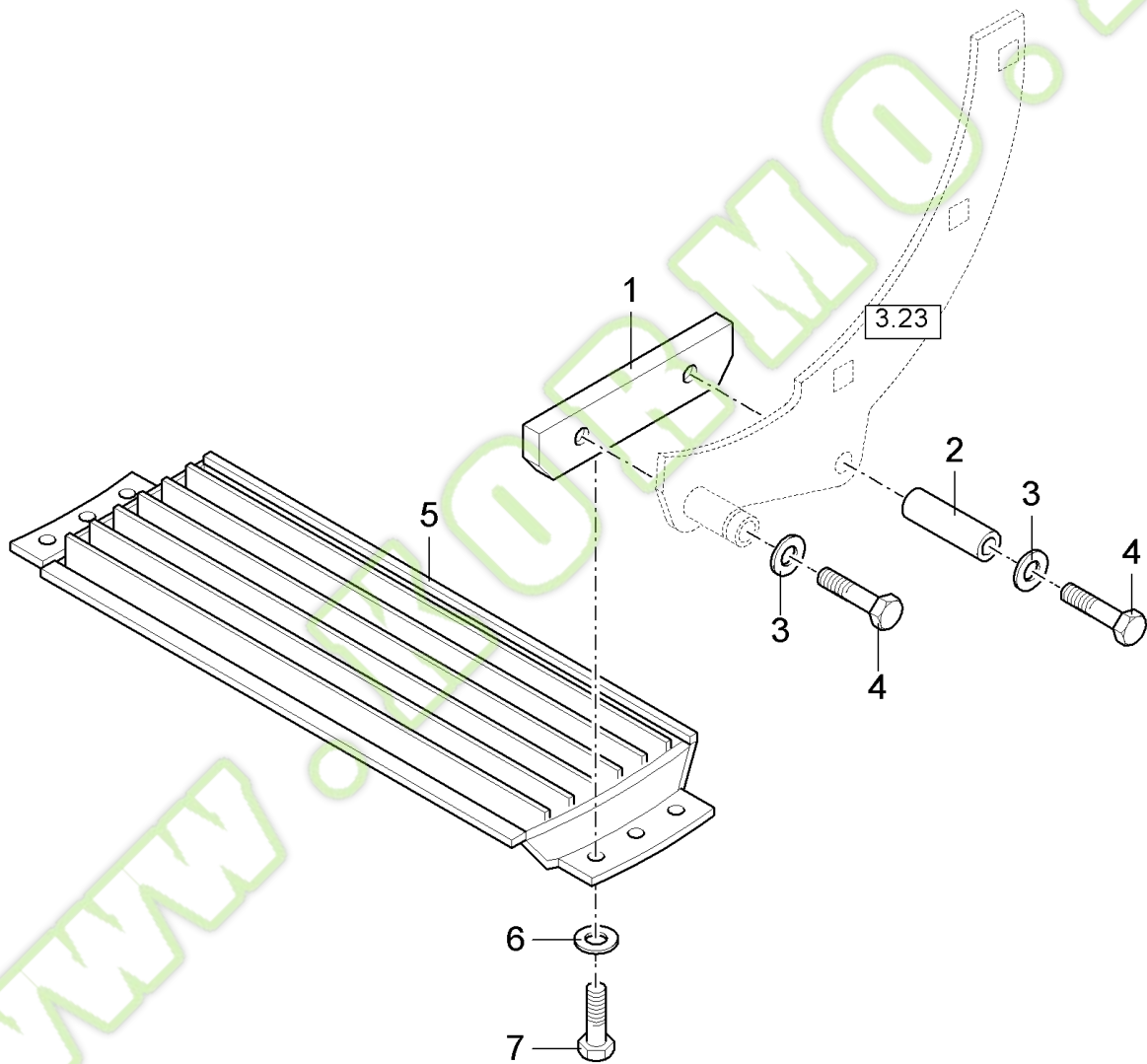
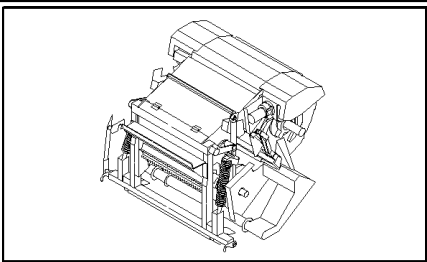


## FX48 SELF-PROPELLED FORAGE HARVESTER (9/98- )

## 03.28(01) GRASS PLATE

Ref	Part Number	Qty	Description
1	9706687	2	SCREW, {PP:89706687} Hex, M12 x 30, 8.8, M12x30
2	84045688	2	PIN,
3	140046	4	WASHER, LOCK, {PP:80140046} Belleville, M12, 12MM
4	89706685	2	NUT, M12
5	9706704	1	BOLT, {PP:89706704} Hex, M10 x 35, 8.8, Full Thd, M10x35
6	378244	3	WASHER, LOCK, {PP:80378244} 10MM
7	100037	2	NUT, {PP:80100037} M10 x 1.5, Cl 8, M10
8	84021756	1	BOLT, BANJO, M10x160
9	84021757	1	SPRING,
10	84068493	1	PLATE,
10	84432602	1	PLATE, , TO REPLACE CROP PRO PLUS TM
11	84018408	1	SUPPORT,
11	84334440	1	FRAME, , TO REPLACE CROP PRO PLUS TM
12	86507486	AR	BOLT (CARRIAGE), Short NK, M8 x 20, Cl8.8, Full Thd, M8x20
13	84014619	2	HINGE,
14	322358	AR	WASHER, LOCK, {PP:80322358} Belleville, M8, 8MM
15	89706690	AR	NUT, CL 8, M8 x 1.25 x 13.0
16	43167	4	BOLT, {PP:80043167} Hex, M16 x 30, 8.8, Full Thd, Hex, M16 x 30, 8.8, Full Thd
17	140048	4	WASHER, LOCK, {PP:80140048} Belleville, M16, 16MM
18	84014616	2	HANDLE, CRANKED,
19	130004	2	PIN, SPLIT (COTTER), {PP:80130004} M3.2 x 25,
20	84017507	2	GUIDE,
21	226829	2	SPRING, {PP:80226829}
22	86511324	2	WASHER, M12 x 24 x 2.5, 12MM
23	84005239	1	PLATE,
24	370539	2	PIN, SPLIT (COTTER), {PP:80370539}
25	337522	4	WASHER, LOCK, {PP:80337522} M16 x 56 x 5,
26	43130	2	SCREW, {PP:80043130} Hex, M8 x 50, 8.8, M8x50, TO REPLACE CROP PRO PLUS TM
27	84069989	AR	PLATE, ADJUSTING, , TO REPLACE CROP PRO PLUS TM

03.29(01) SHREDBAR KIT



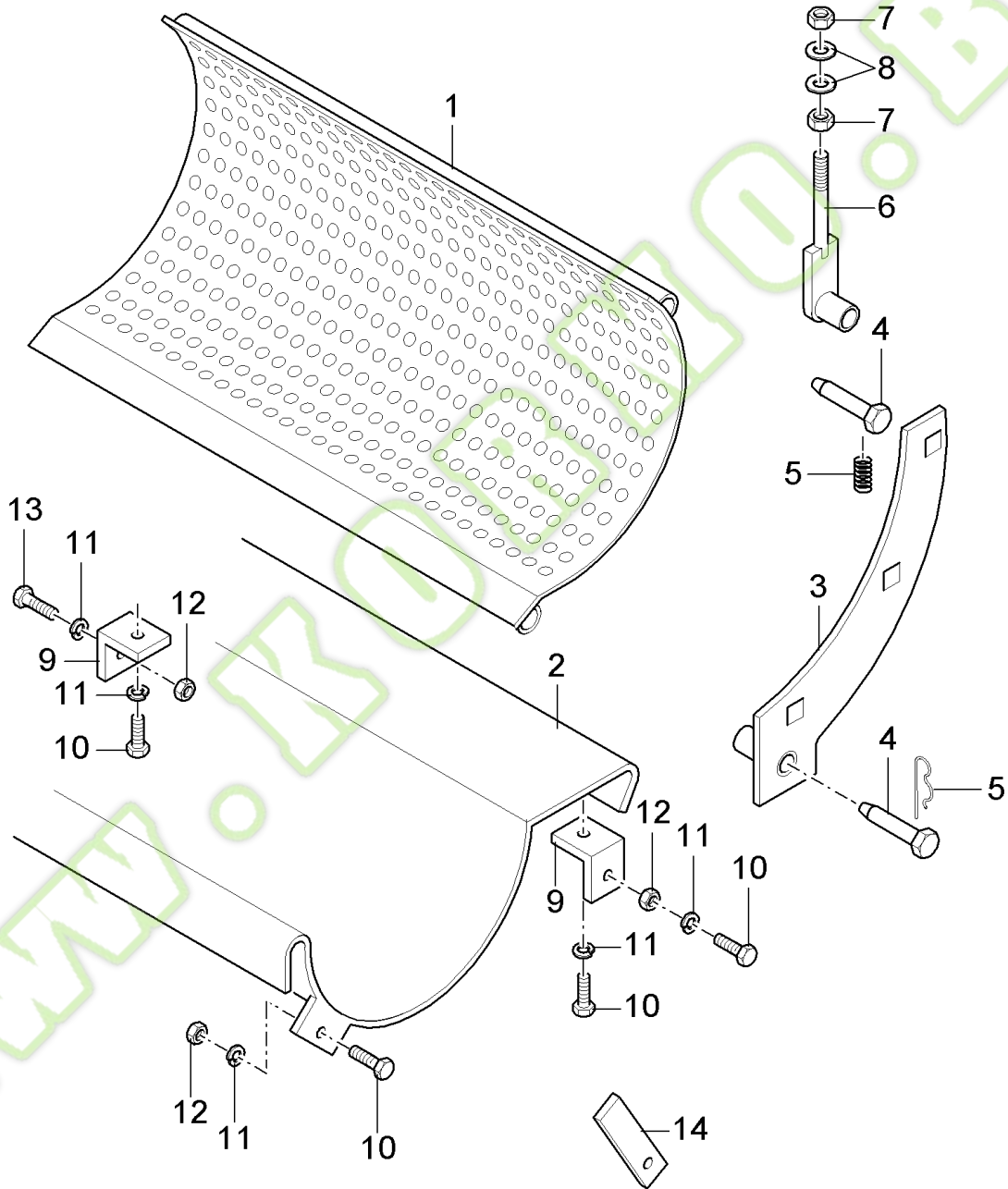
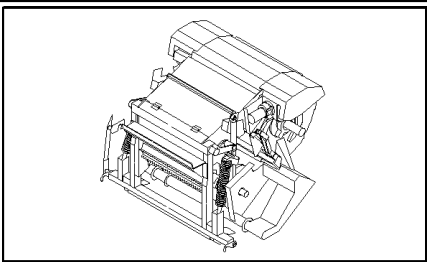
## FX48 SELF-PROPELLED FORAGE HARVESTER (9/98- )

## 03.29(01) SHREDBAR KIT

Ref	Part Number	Qty	Description
1	84012059	2	SUPPORT,
2	84022728	2	BUSHING,
3	394631	4	WASHER, {PP:80394631} 16MM
4	120093	4	SCREW, {PP:80120093} Hex, M16 x 80, 8.8, Hex, M16 x 80, 8.8
5	84012061	1	BLADE, SCRAPER,
5	84053191	1	DIA KIT, HARVESTER, , SHORT SHREDBAR
6	412655	6	WASHER, LOCK, {PP:80412655} Belleville, M10, 10MM
7	43138	6	SCREW, {PP:80043138} Hex, M10 x 20, 8.8, Full Thd, M10x20

WWW.KORMO.BY

03.30(01) RECUTTER SCREEN - OPTION



## FX48 SELF-PROPELLED FORAGE HARVESTER (9/98- )

## 03.30(01) RECUTTER SCREEN - OPTION

Ref	Part Number	Qty	Description
1	84032280	1	SCREEN, 25.4x152.4MM
1	84032281	1	SCREEN, 28x145MM
1	84032282	1	SCREEN, 32x145MM
1	84032283	1	SCREEN, 35x145MM
1	84032284	1	SCREEN, 38x145MM
1	84032285	1	SCREEN, 41x145MM
1	84037798	1	SCREEN, 75x170MM
1	84037801	1	SCREEN, 25.4MM
1	84037802	1	SCREEN, 3/4", FOR NA ONLY
1	84037800	1	SCREEN, 1 1/4", FOR NA ONLY
1	84037797	1	SCREEN, 1 3/4"x3", FOR NA ONLY
1	84037799	1	SCREEN, 2 1/4"x6 1/8", FOR NA ONLY
2	84032214	1	PLATE,
3	84058780	1	PROFILE, LH
3	84058779	1	PROFILE, RH
4	84032273	4	PIN,
5	740591	4	PIN, SPLIT (COTTER), {PP:80740591}
6	84032251	2	ADJUSTER,
7	337475	4	NUT, {PP:80337475} M12, CI 10, M12
8	140046	4	WASHER, LOCK, {PP:80140046} Belleville, M12,
9	84032210	2	ANGLE,
10	120109	AR	SCREW, {PP:80120109} Hex, M10 x 20, 8.8, Full Thd, M10x20
11	140045	AR	WASHER, LOCK, {PP:80140045} Belleville, M10,
12	100016	AR	NUT, {PP:80100016} M10, CI 8, M10
13	120068	AR	SCREW, {PP:80120068} Hex, M10 x 40, 8.8, Full Thd, M10x40
14	84032211	1	PLATE,

SECTIONS

SECTIONS

SECCIONES

AFSNIT

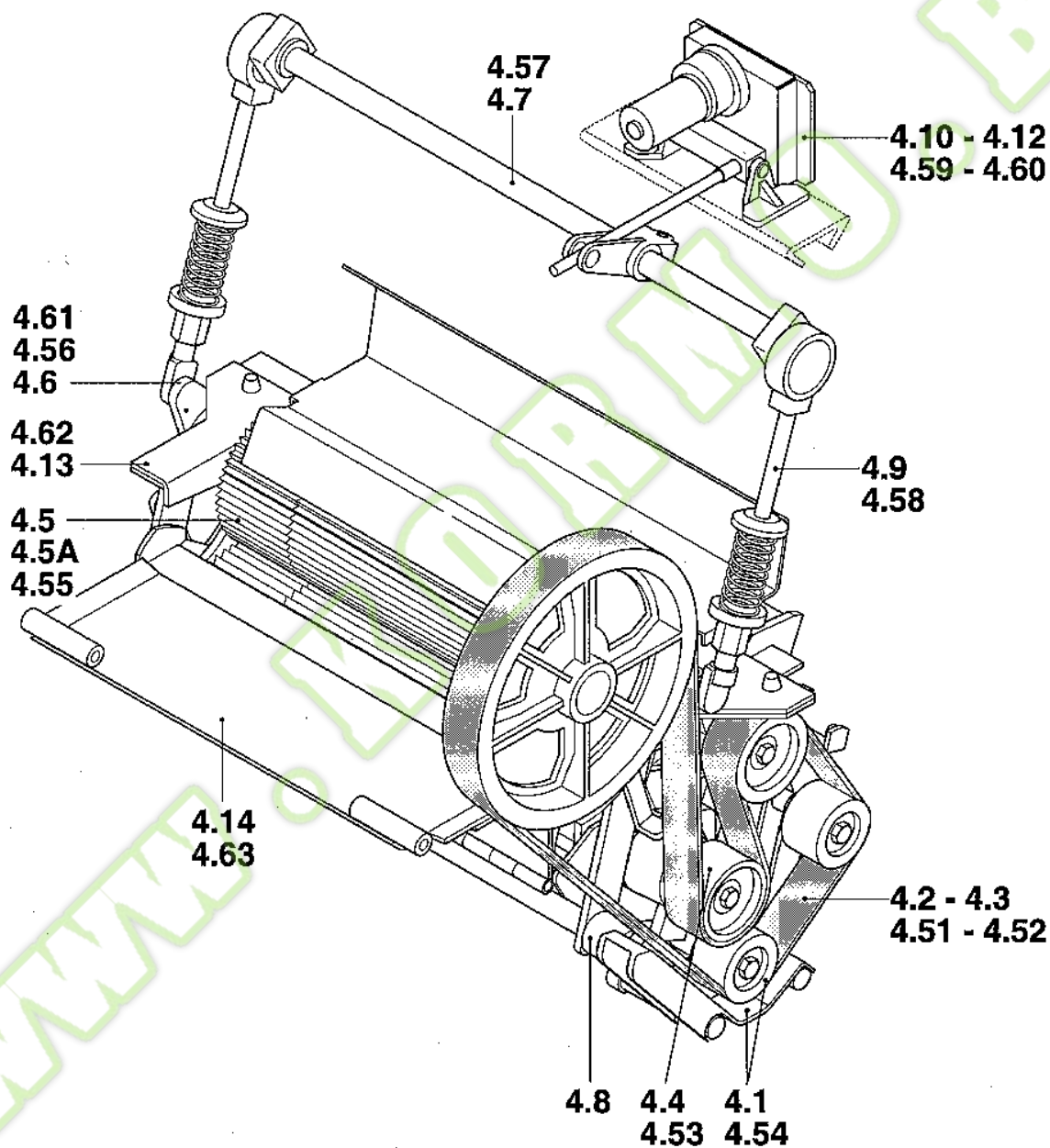
SEZIONI

ABSCHNITTE

SECÇÕES

SECTIES

**SEC. 4**



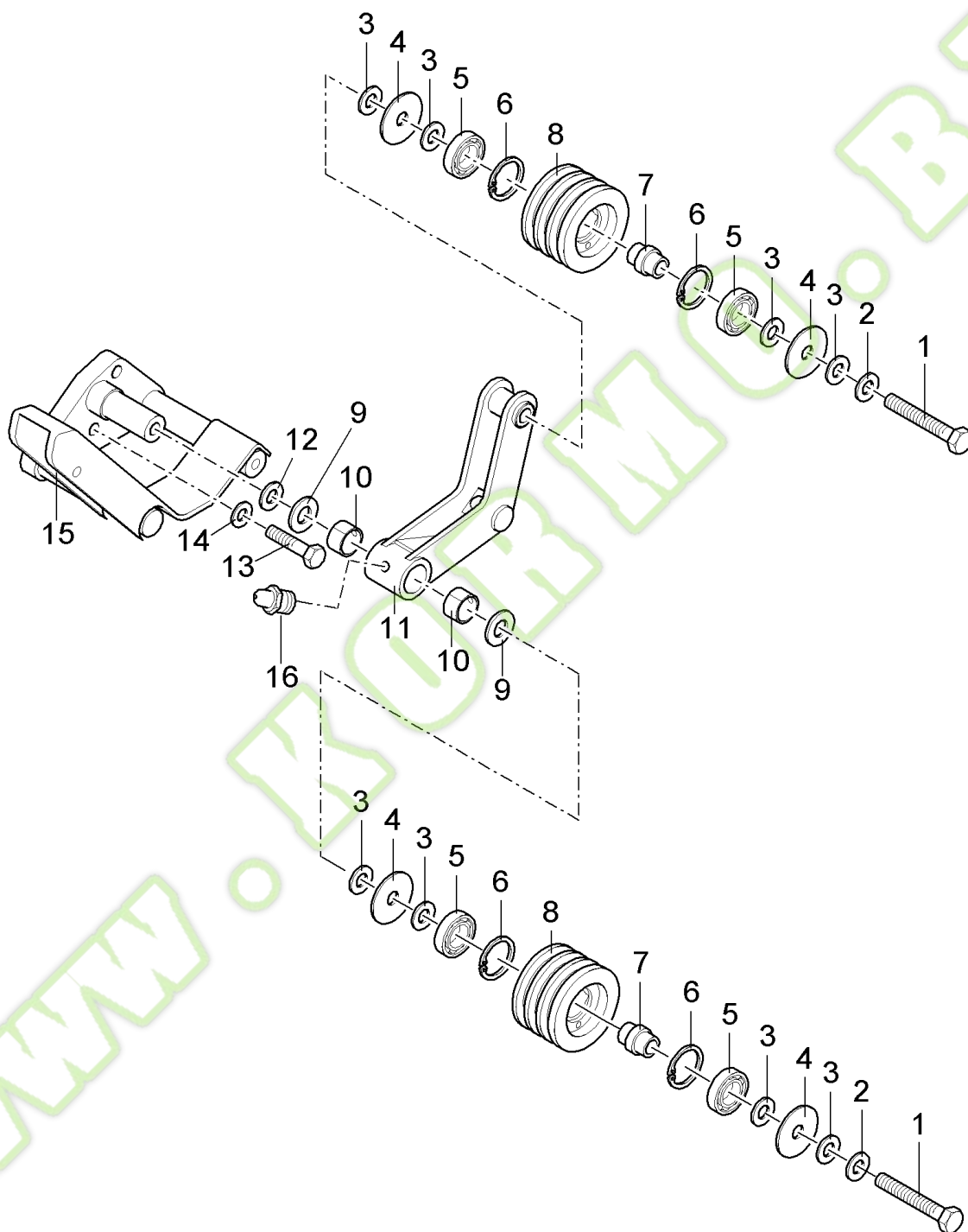
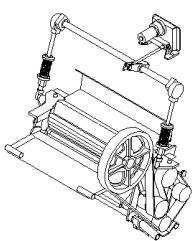
**Normal Crop processor: 4.1 - 4.15**

**Crop Pro Plus: 4.51 - 4.63**

Ref	Part Number	Qty	Description
<p>WWW.KORMO.BY</p>			



04.01(01) DRIVE



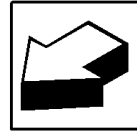
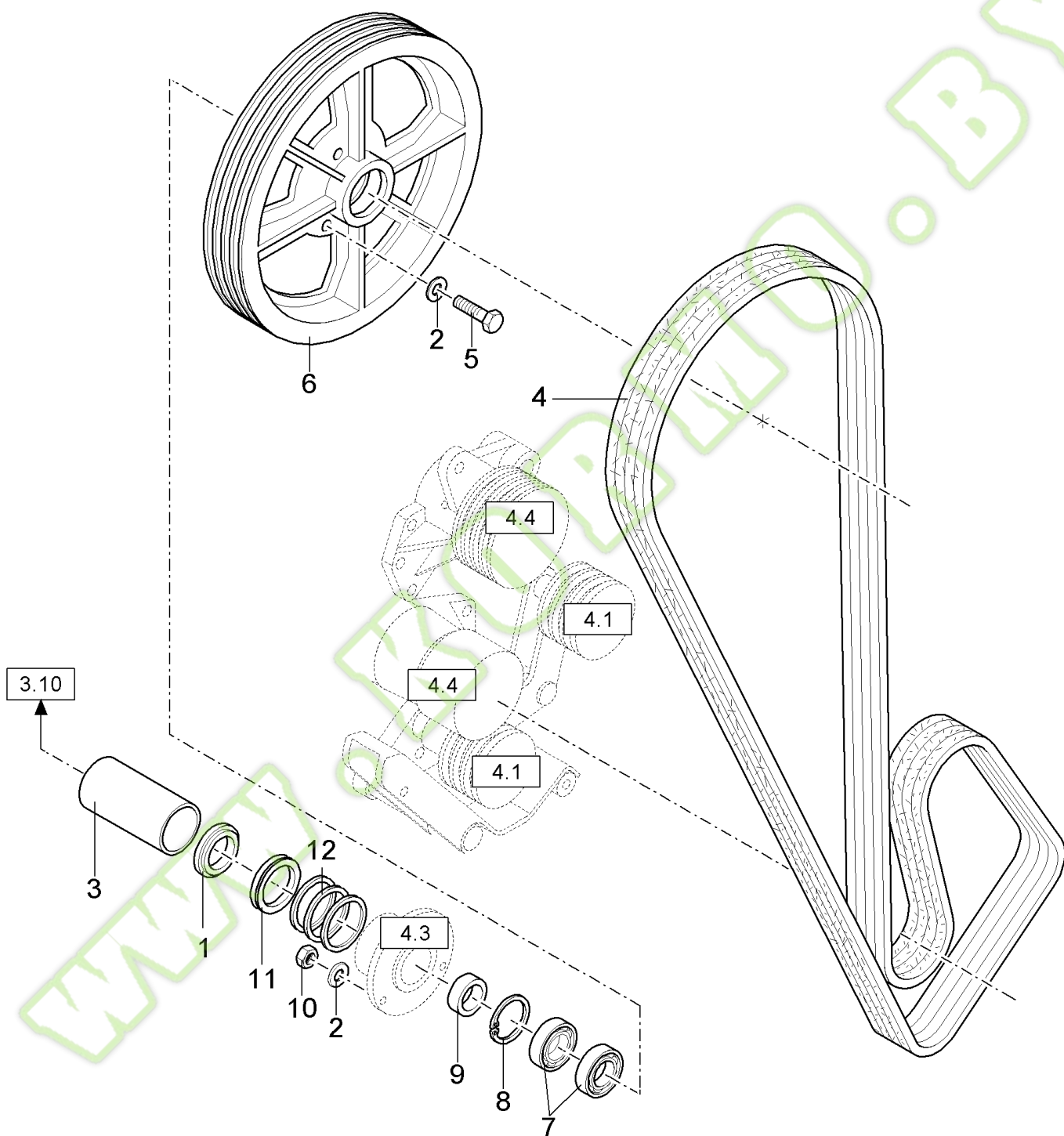
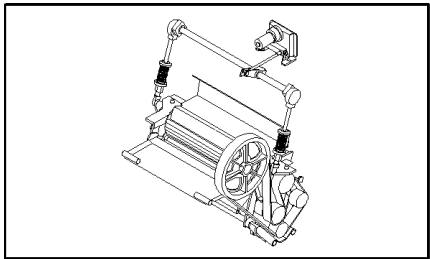
## FX48 SELF-PROPELLED FORAGE HARVESTER (9/98- )

## 04.01(01) DRIVE

Ref	Part Number	Qty	Description
1	350616	2	SCREW, {PP:80350616} Hex, M16 x 90, 8.8, M16x90
2	140048	2	WASHER, LOCK, {PP:80140048} Belleville, M16, 16MM
3	378246	8	WASHER, {PP:80378246}
4	84017220	4	WASHER,
5	443898	4	BEARING ASSY, {PP:80443898}
6	370011	4	CIRCLIP, {PP:80370011}
7	84017221	2	BUSHING,
8	84000844	2	PULLEY,
9	9838356	2	WASHER, {PP:89838356}
10	420434	2	BUSHING, {PP:80420434}
11	84056351	1	LEVER,
12	140108	1	WASHER, {PP:80140108}
13	80337563	2	SCREW, M12x40
14	140046	2	WASHER, LOCK, {PP:80140046} Belleville, M12, 12MM
15	84015258	1	SUPPORT,
16	9838669	1	NIPPLE, LUBE, {PP:89838669}

WWW.KORMO.BY

04.02(01) DRIVE

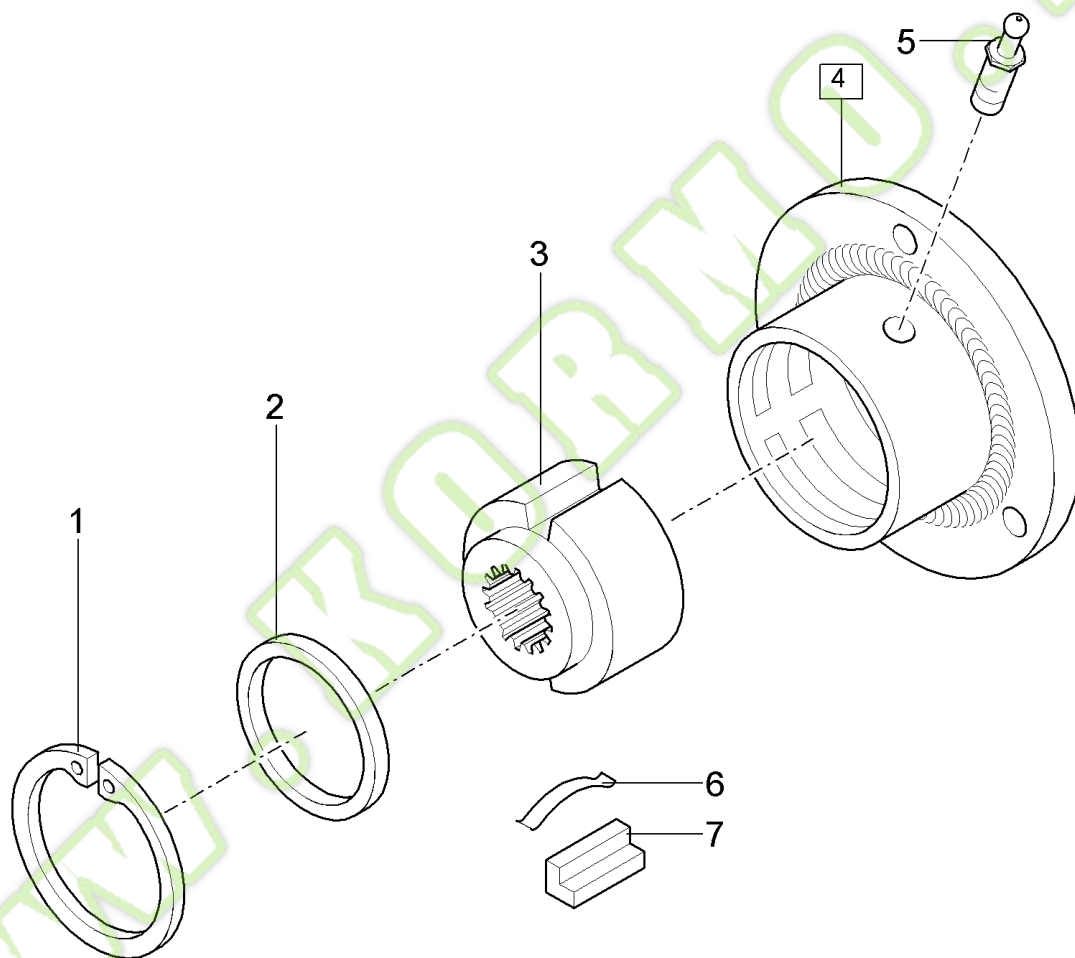
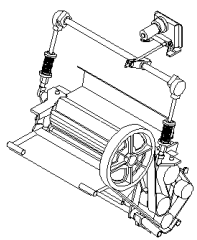


## FX48 SELF-PROPELLED FORAGE HARVESTER (9/98- )

## 04.02(01) DRIVE

Ref	Part Number	Qty	Description
1	84026028	1	RING, , BSN C127
1	84077930	1	RING, , ASN D128
2	140045	3	WASHER, LOCK, {PP:80140045} Belleville, M10, 10MM
3	84026021	1	BUSHING, , BSN C127
3	84068398	1	BUSHING, , ASN D128
4	84026761	1	SET OF BELTS,
4	84435248	1	BELT, TRANSMISSION, 4HA, BSN C201
4	84435248	1	BELT, TRANSMISSION, 4HA, ASN D202
4	84075677	1	SET OF BELTS, , WITH V ON BOTH SIDES, BSN C181
5	120068	3	SCREW, {PP:80120068} Hex, M10 x 40, 8.8, Full Thd, M10x40
6	84012003	1	PULLEY,
7	25953	2	BEARING, BALL, {PP:80025953}
8	370018	1	RING, SNAP, {PP:80370018}
9	84015773	1	SPACER,
10	100016	3	NUT, {PP:80100016} M10, CI 8, M10
11	84068419	1	RING,
12	84068394	3	SHIM, THK.:0.5MM

04.03(01) CLUTCH

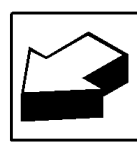
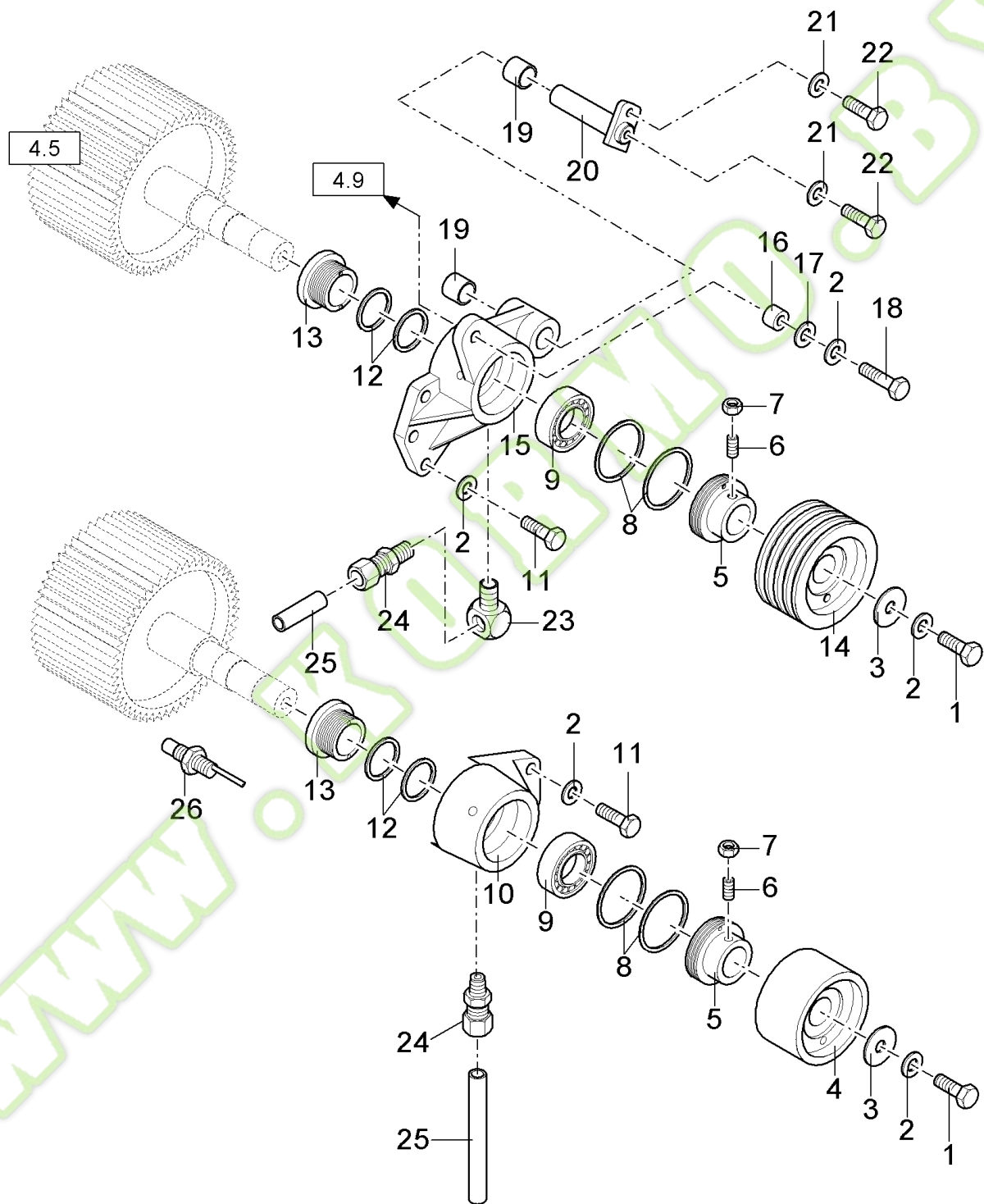
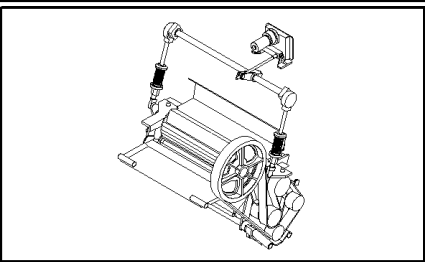


## 04.03(01) CLUTCH

Ref	Part Number	Qty	Description
	84011945	1	CLUTCH, (1 to 7)
1	370018	1	RING, SNAP, {PP:80370018}
2	84031293	1	WASHER,
3	84031294	1	HUB,
4	84031295	1	HOUSING, (5)
5	300919	1	NIPPLE, LUBE, {PP:80300919}
6	449317	2	SPRING, {PP:80449317}
7	449316	2	KEY, {PP:80449316}

WWW.KORMO.BY

04.04(01) DRIVE

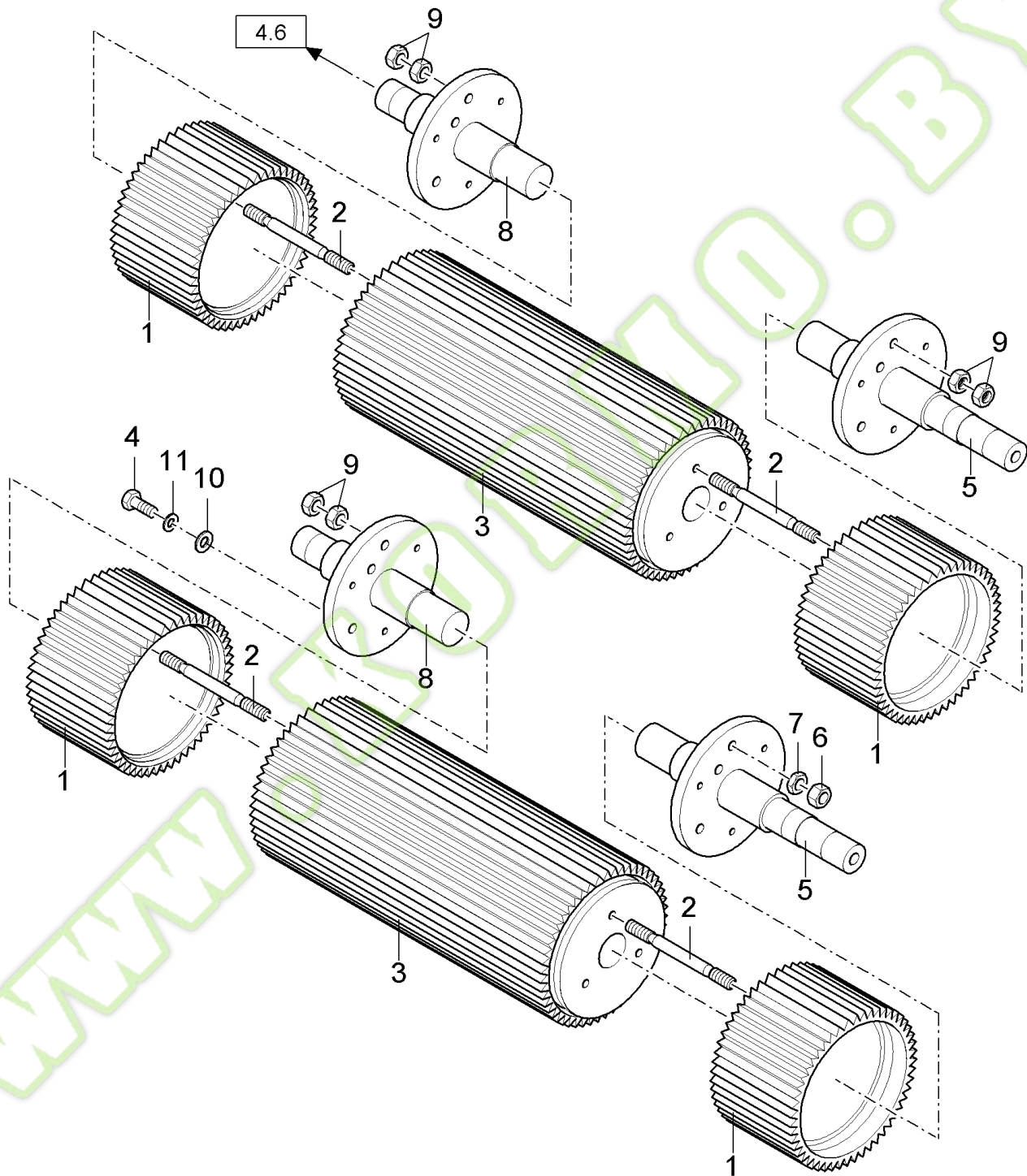
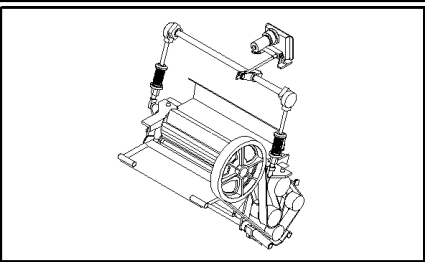


## FX48 SELF-PROPELLED FORAGE HARVESTER (9/98- )

## 04.04(01) DRIVE

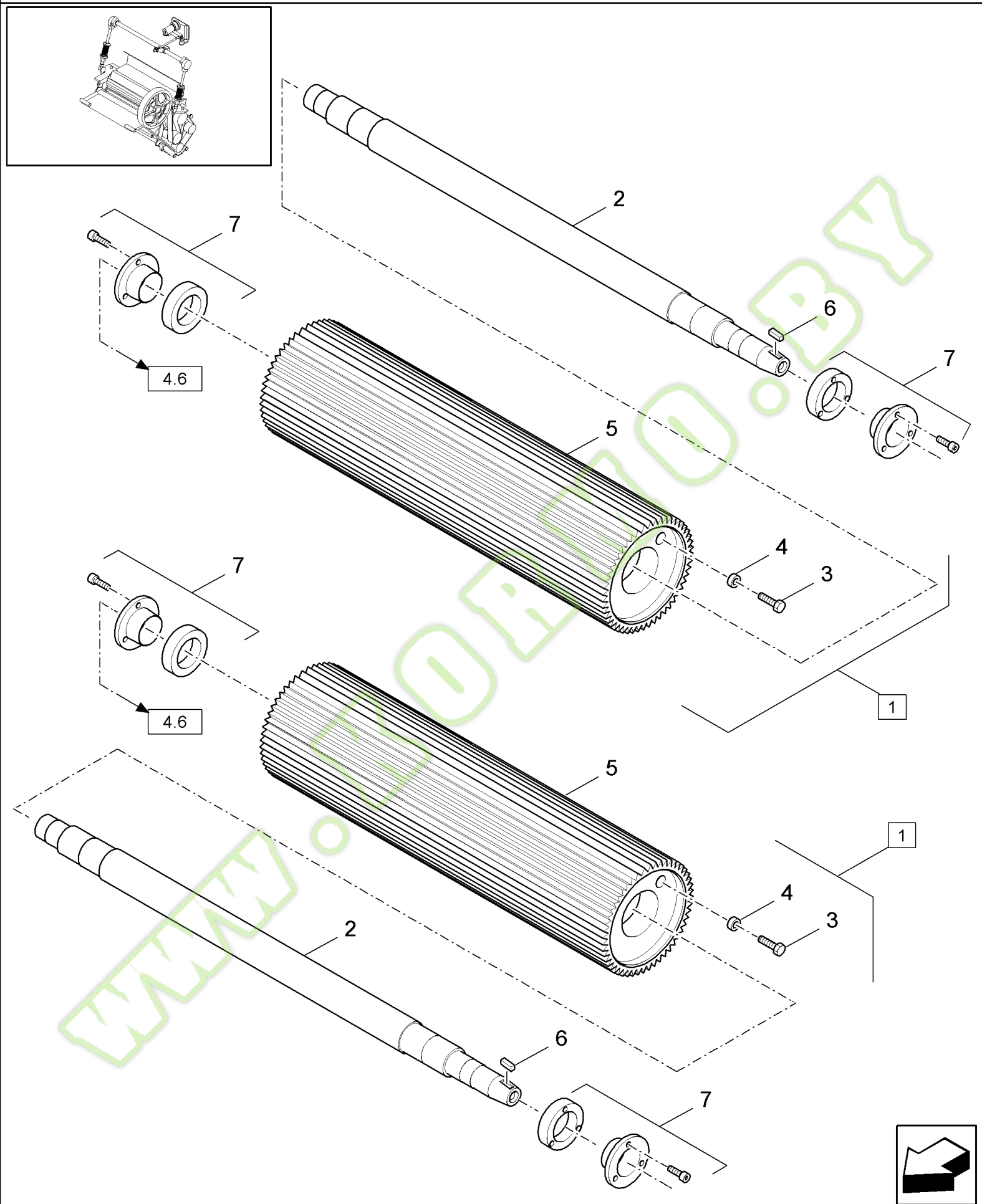
Ref	Part Number	Qty	Description
1	9706687	2	SCREW, {PP:89706687} Hex, M12 x 30, 8.8, M12x30
2	140046	10	WASHER, LOCK, {PP:80140046} Belleville, M12, 12MM
2	140048	5	WASHER, LOCK, {PP:80140048} Belleville, M16, 16MM
3	9801096	2	WASHER, {PP:89801096}
4	84023882	1	ROLLER, , BSN C173
4	84989267	1	PULLEY, , BSN F174237
4	84814181	1	PULLEY, , ASN D238
4	84075970	1	PULLEY, , ONLY FOR USE WITH BELT WITH V ON BOTH SIDES, BSN C181
4	84434574	1	PULLEY, , IN HIGH SPEED DIFFERENCE KIT, BSN C173
5	84000852	2	FLANGE,
6	300478	2	SCREW, {PP:80300478} Hex Soc, M8 x 20, Cup Pt, M8x20, BSN C173
6	300477	2	SCREW, {PP:80300477} Hex Soc, M8 x 16, Cup Pt, M8x16, ASN D174
7	100015	2	NUT, {PP:80100015} M8, CI 8, M8
8	89850345	2	SET OF RINGS,
9	323327	2	BEARING ASSY, {PP:80323327}
10	84056353	1	HOUSING, BEARING, , BSN C189
10	84400460	1	HOUSING, BEARING, , ASN D190
11	80337563	6	SCREW, M12x40
11	43168	5	SCREW, {PP:80043168} Hex, M16 x 40, 8.8, Hex, M16 x 40, 8.8
12	89850344	2	SET OF RINGS,
13	84000853	2	FLANGE,
14	84000692	1	PULLEY, , BSN C173
14	84434604	1	PULLEY, , IN HIGH SPEED DIFFERENCE KIT, BSN C173
14	84989258	1	PULLEY, , BSN F174237
14	84814180	1	PULLEY, , ASN D238
15	84056359	1	HOUSING, BEARING, , BSN C189
15	84400461	1	HOUSING, BEARING, , ASN D190
16	84000851	2	BUSHING,
17	378245	2	WASHER, {PP:80378245} 12MM
18	300389	2	SCREW, {PP:80300389} Hex, M12 x 35, 8.8, Full Thd, M12x35
19	84019797	4	BUSHING,
20	84058961	2	PIN,
21	140045	3	WASHER, LOCK, {PP:80140045} Belleville, M10, 10MM
22	120109	3	SCREW, {PP:80120109} Hex, M10 x 20, 8.8, Full Thd, M10x20
23	84053211	1	CONNECTOR, HYD., , ASN D190
24	84037349	2	CONNECTOR, HYD., , ASN D190
25	84039176	AR	TUBE, RIGID, L=3M, ASN D190
26	84056994	1	SENSOR,





Ref	Part Number	Qty	Description
1	84019782	4	ROLLER,
2	84004047	12	ROD, THREADED,
3	84019783	2	ROLLER,
4	120119	6	BOLT, {PP:80120119} Hex, M12 x 20, 8.8, Full Thd, M12x20
5	84000685	2	FLANGE,
6	06113193	3	NUT, {PP:84018179} M12
7	323238	3	NUT, {PP:80323238} Thin, M12 x 1.75, CI 05, M12
8	84000684	2	FLANGE,
9	337475	18	NUT, {PP:80337475} M12, CI 10, M12
10	378245	AR	WASHER, {PP:80378245} 13MM
11	140046	6	WASHER, LOCK, {PP:80140046} Belleville, M12, 12MM

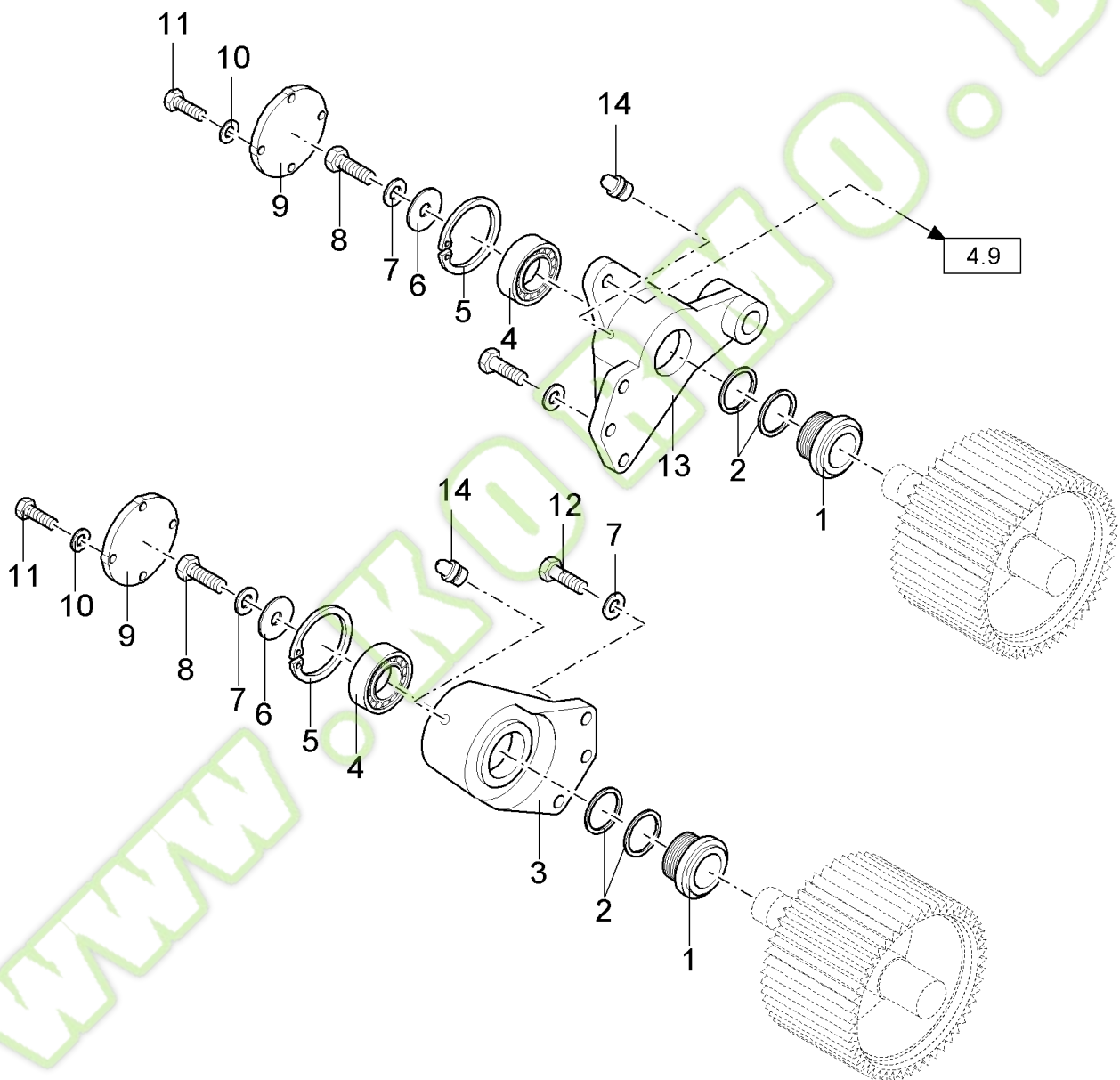
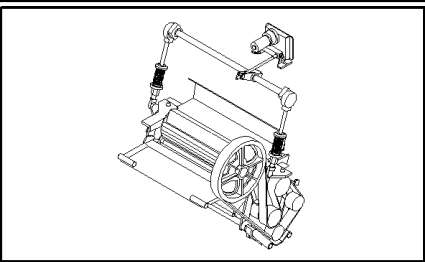
WWW.KORMO.BY



Ref	Part Number	Qty	Description
1	84073448	2	ROLLER, (2to7), 99 SERRATIONS
2	84074960	2	SHAFT,
3	300388	6	SCREW, {PP:80300388} Hex, M12 x 25, 8.8, M12x25
4	84056580	6	BUSHING,
5	84074961	2	ROLLER, 99 Serrations
5	84073406	2	ROLLER, 77 Serrations
5	84989817	2	ROLLER, 132 Serrations
6	360956	4	KEY, {PP:80360956}
7	84078347	4	RING, , BSN C237
7	84814419	4	RING, , ASN D238

WWW.KORMO.BY

04.06(01) DRIVE, RH



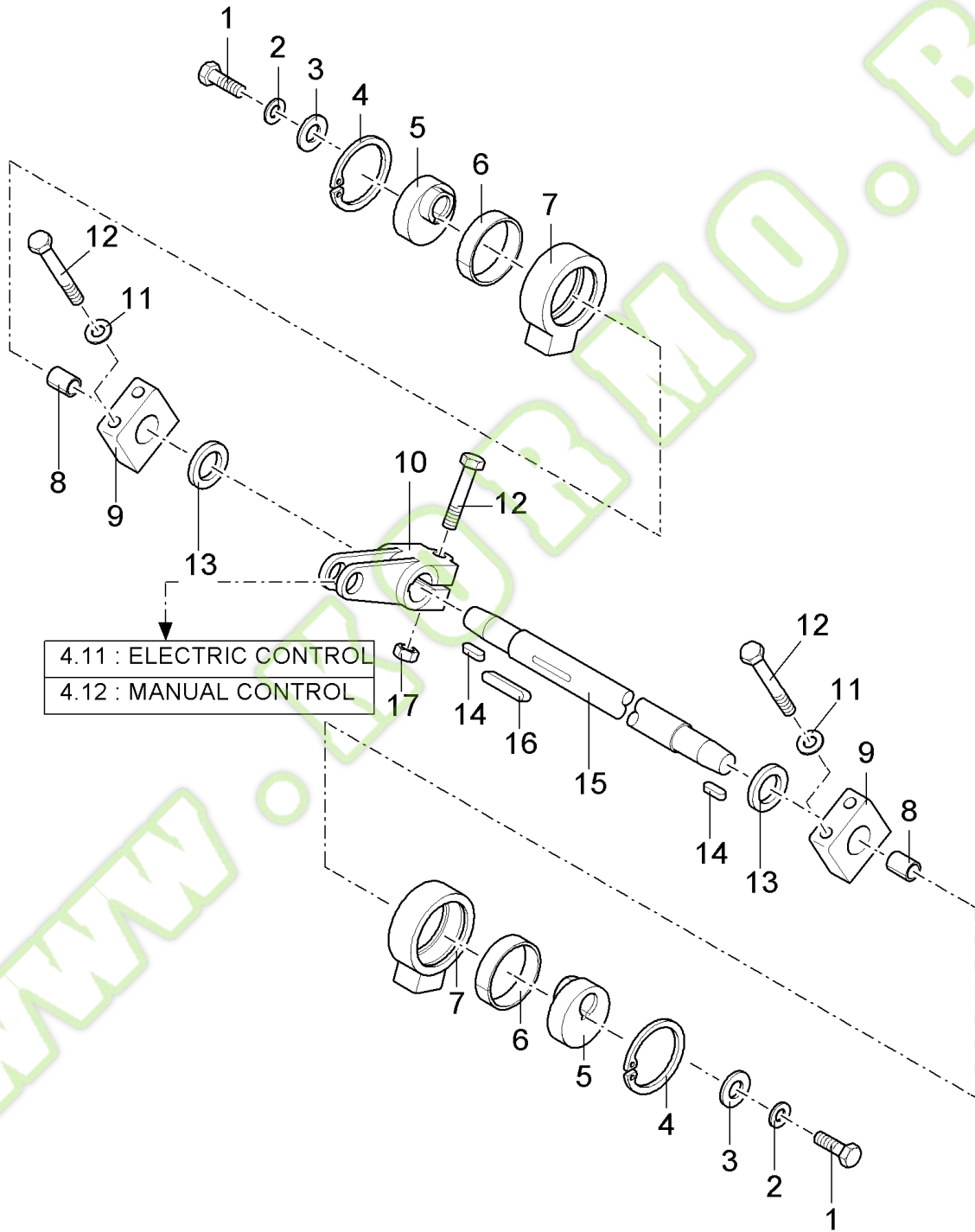
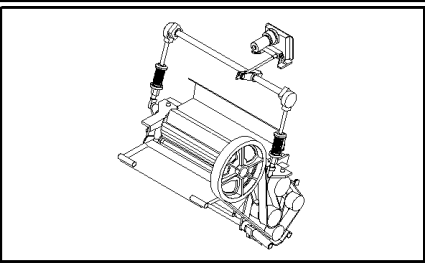
## FX48 SELF-PROPELLED FORAGE HARVESTER (9/98- )

04.06(01) DRIVE, RH

Ref	Part Number	Qty	Description
1	84000853	2	FLANGE,
2	89850344	2	SET OF RINGS,
3	84056354	1	HOUSING, BEARING,
4	323327	2	BEARING ASSY, {PP:80323327}
5	80300633	2	RING, SNAP,
6	9801096	2	WASHER, {PP:89801096}
7	140046	8	WASHER, LOCK, {PP:80140046} Belleville, M12, 12MM
8	9706687	2	SCREW, {PP:89706687} Hex, M12 x 30, 8.8, M12x30
9	84018071	2	COVER,
10	322357	8	WASHER, LOCK, {PP:80322357} Belleville, M6, Belleville, M6
11	80120099	8	SCREW, Hex, M6 x 16, 8.8, M6x16
12	80337563	6	SCREW, M12x40
13	84056360	1	HOUSING, BEARING,
14	9838669	4	NIPPLE, LUBE, {PP:89838669}

WWW.KORMO.BY

04.07(01) ROLL ADJUSTMENT



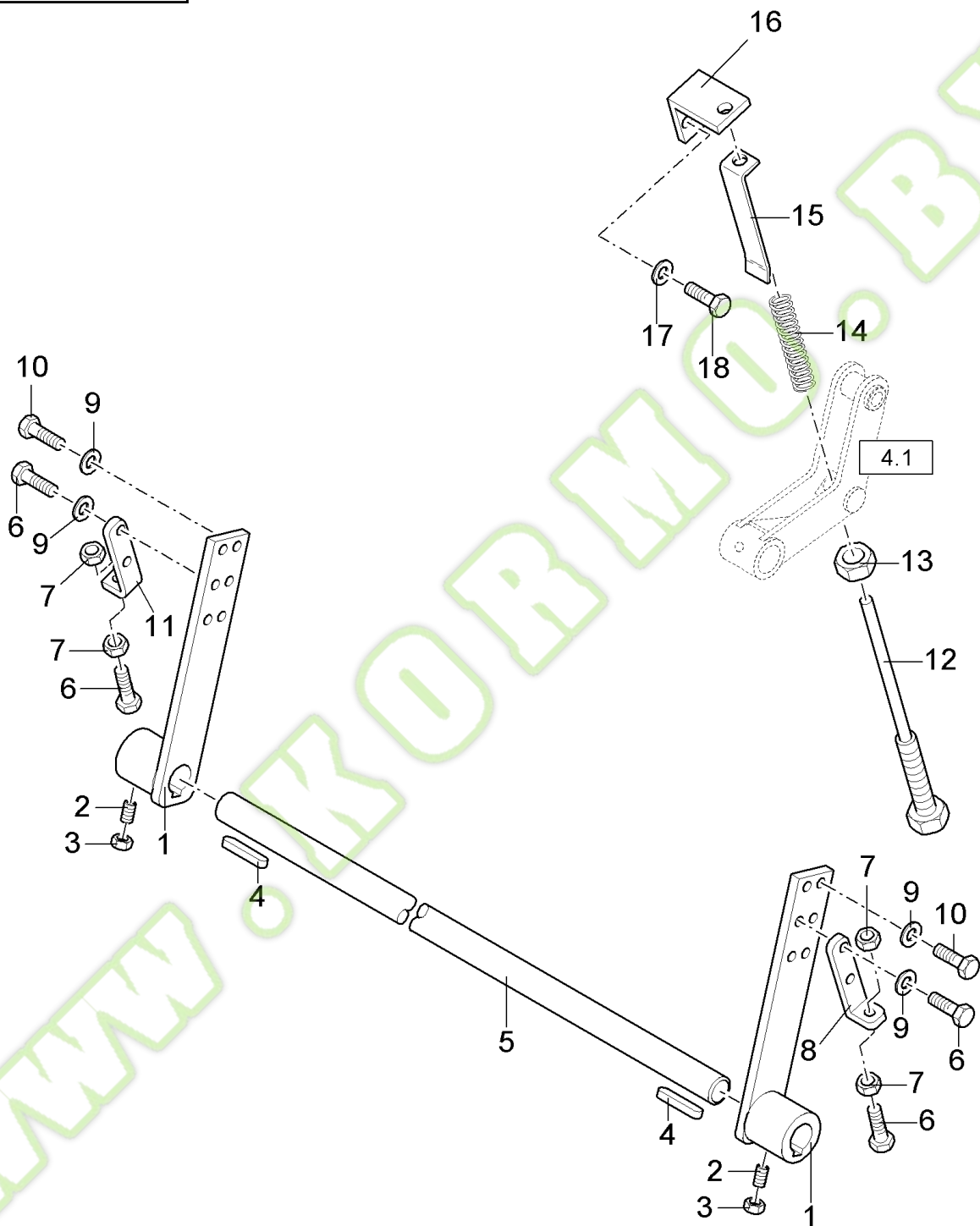
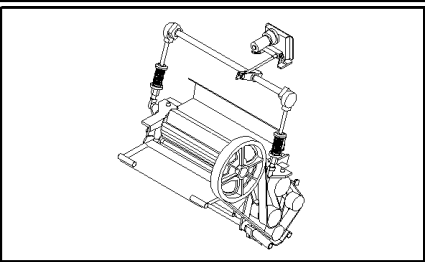
## FX48 SELF-PROPELLED FORAGE HARVESTER (9/98- )

## 04.07(01) ROLL ADJUSTMENT

Ref	Part Number	Qty	Description
1	120109	2	SCREW, {PP:80120109} Hex, M10 x 20, 8.8, Full Thd, M10x20
2	140045	2	WASHER, LOCK, {PP:80140045} Belleville, M10, 10MM
3	140042	2	WASHER, LOCK, {PP:80140042} M10 x 34 x 3, 10MM
4	80300633	2	RING, SNAP,
5	84011789	2	ECCENTRIC,
6	84036158	2	SLEEVE,
7	84011665	2	HOUSING, BEARING,
8	210022	2	SLEEVE, {PP:80210022}
9	84036200	2	HOUSING, BEARING, (8)
10	84036404	1	LEVER,
11	140046	4	WASHER, LOCK, {PP:80140046} Belleville, M12, 12MM
12	120084	5	SCREW, {PP:80120084} Hex, M12 x 80, 8.8, M12x80
13	743469	2	WASHER, {PP:80743469}
14	170005	2	KEY, {PP:80170005}
15	84011790	1	SHAFT,
16	170012	1	KEY, {PP:80170012}
17	337475	1	NUT, {PP:80337475} M12, CI 10, M12



04.08(01) ROLL ADJUSTMENT

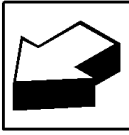
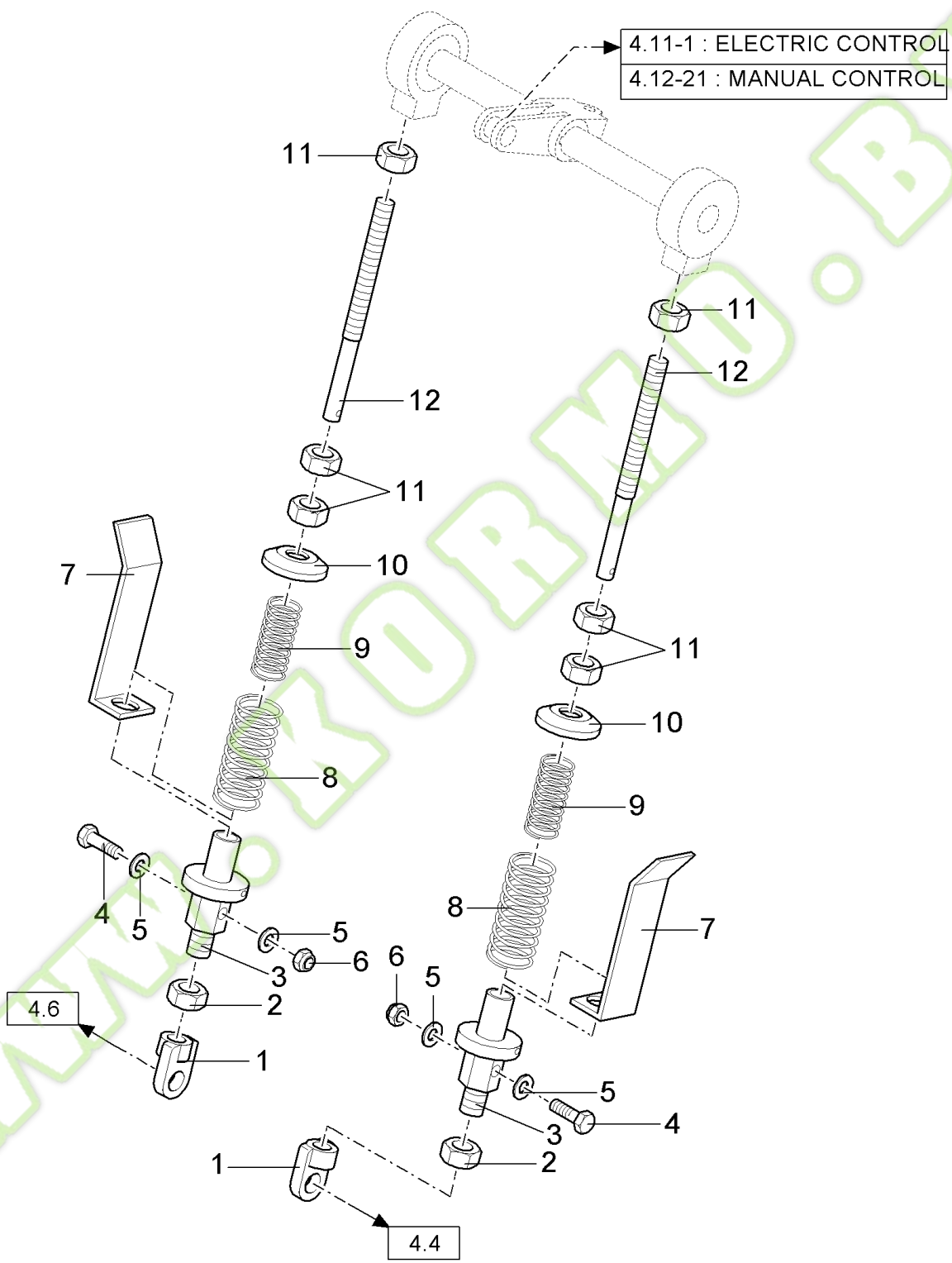
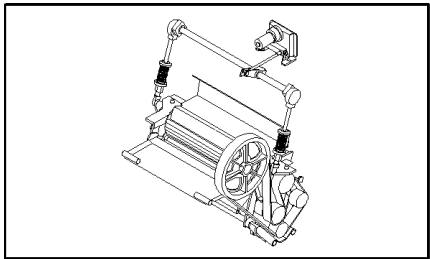


## FX48 SELF-PROPELLED FORAGE HARVESTER (9/98- )

## 04.08(01) ROLL ADJUSTMENT

Ref	Part Number	Qty	Description
1	84000848	2	SUPPORT,
2	300478	2	SCREW, {PP:80300478} Hex Soc, M8 x 20, Cup Pt, M8x20
3	100015	2	NUT, {PP:80100015} M8, CI 8, M8
4	323190	2	KEY, {PP:80323190}
5	84000850	1	SHAFT,
6	80337563	6	SCREW, M12x40
7	337475	4	NUT, {PP:80337475} M12, CI 10, M12
8	84017962	1	BRACKET,
9	140046	6	WASHER, LOCK, {PP:80140046} Belleville, M12, 12MM
10	300389	2	SCREW, {PP:80300389} Hex, M12 x 35, 8.8, Full Thd, M12x35
11	84017961	1	BRACKET,
12	84000921	1	ROD, THREADED,
13	100033	1	NUT, {PP:80100033} Thin, M24 x 1.5, CI 04, M24
14	354085	1	SPRING, {PP:80354085} , NOT IN COMBINATION WITH BELT WITH V ON BOTH SIDES, BSN C127
14	84078522	1	SPRING, , ASN D128
15	84042679	1	INDICATOR, , BSN C127
16	84056393	1	BRACKET,
17	140045	2	WASHER, LOCK, {PP:80140045} Belleville, M10, 10MM
18	120069	2	SCREW, {PP:80120069} Hex, M10 x 50, 8.8, M10x50,LH
18	325829	2	SCREW, {PP:80325829} Hex, M10 x 45, 8.8, M10x45,RH

04.09(01) ROLL ADJUSTMENT

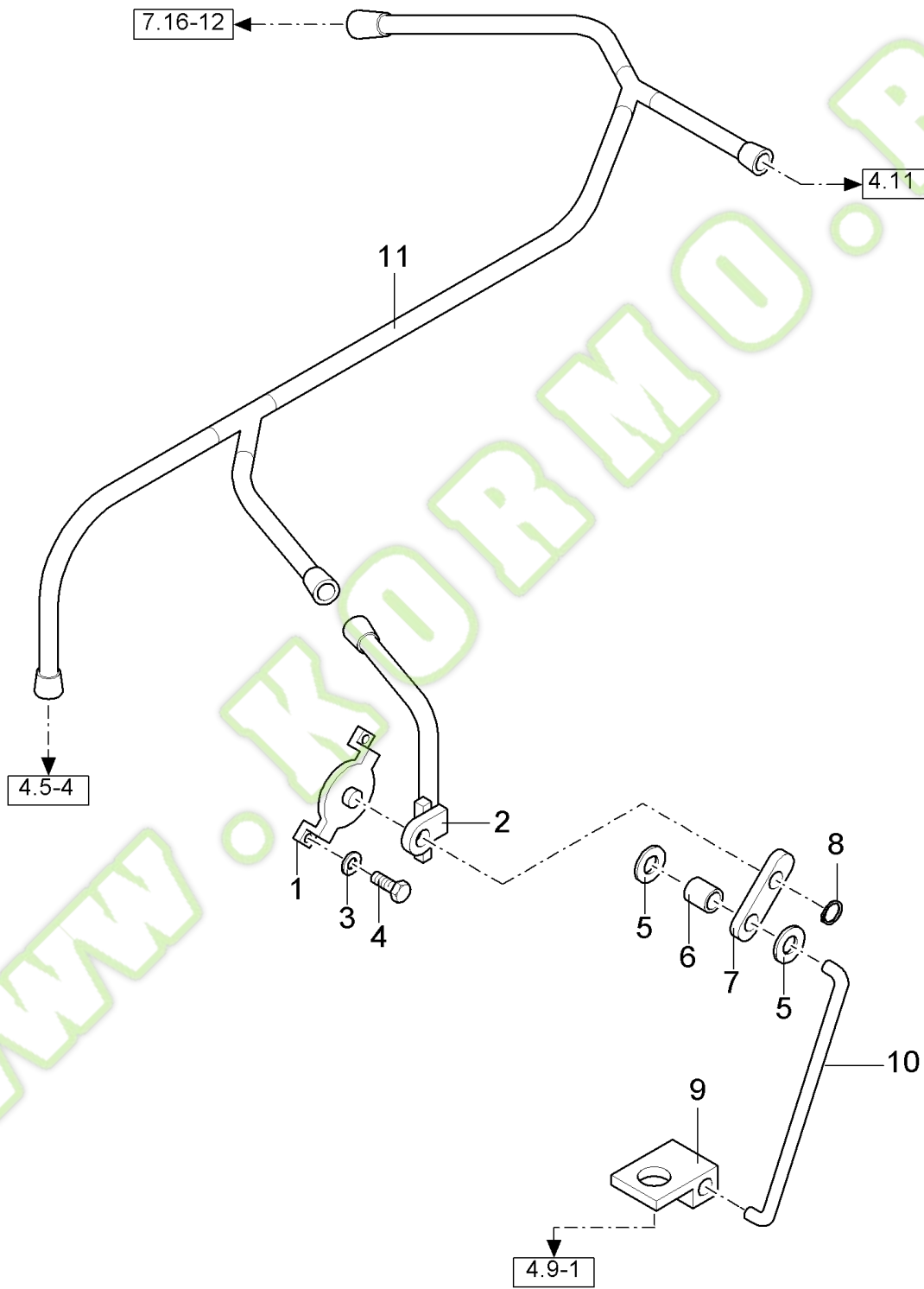
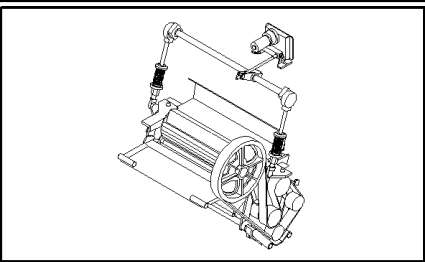


## FX48 SELF-PROPELLED FORAGE HARVESTER (9/98- )

## 04.09(01) ROLL ADJUSTMENT

Ref	Part Number	Qty	Description
1	84000855	2	SUPPORT,
2	84011539	2	NUT, Thin, M20 x 1.5, CI 05, LH, M20
3	84056349	2	SUPPORT,
4	120069	2	SCREW, {PP:80120069} Hex, M10 x 50, 8.8, M10x50, BSN C131
4	412151	2	BOLT, {PP:80412151} Hex, M10 x 55, 8.8, M10x55, ASN D132
5	378244	4	WASHER, LOCK, {PP:80378244}
6	100037	2	NUT, {PP:80100037} M10 x 1.5, CI 8, M10, BSN C131
6	100016	2	NUT, {PP:80100016} M10, CI 8, M10, ASN D132
7	84037178	2	INDICATOR,
8	9814760	2	SPRING, {PP:89814760}
9	9814761	2	SPRING, {PP:89814761}
10	89850009	2	RING,
11	320771	6	NUT, {PP:80320771} Thin, M20 x 1.5, CI 04, M20
12	84012281	2	ROD, THREADED,

04.10(01) ELECTRICAL CONTROL



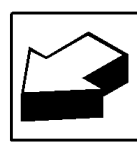
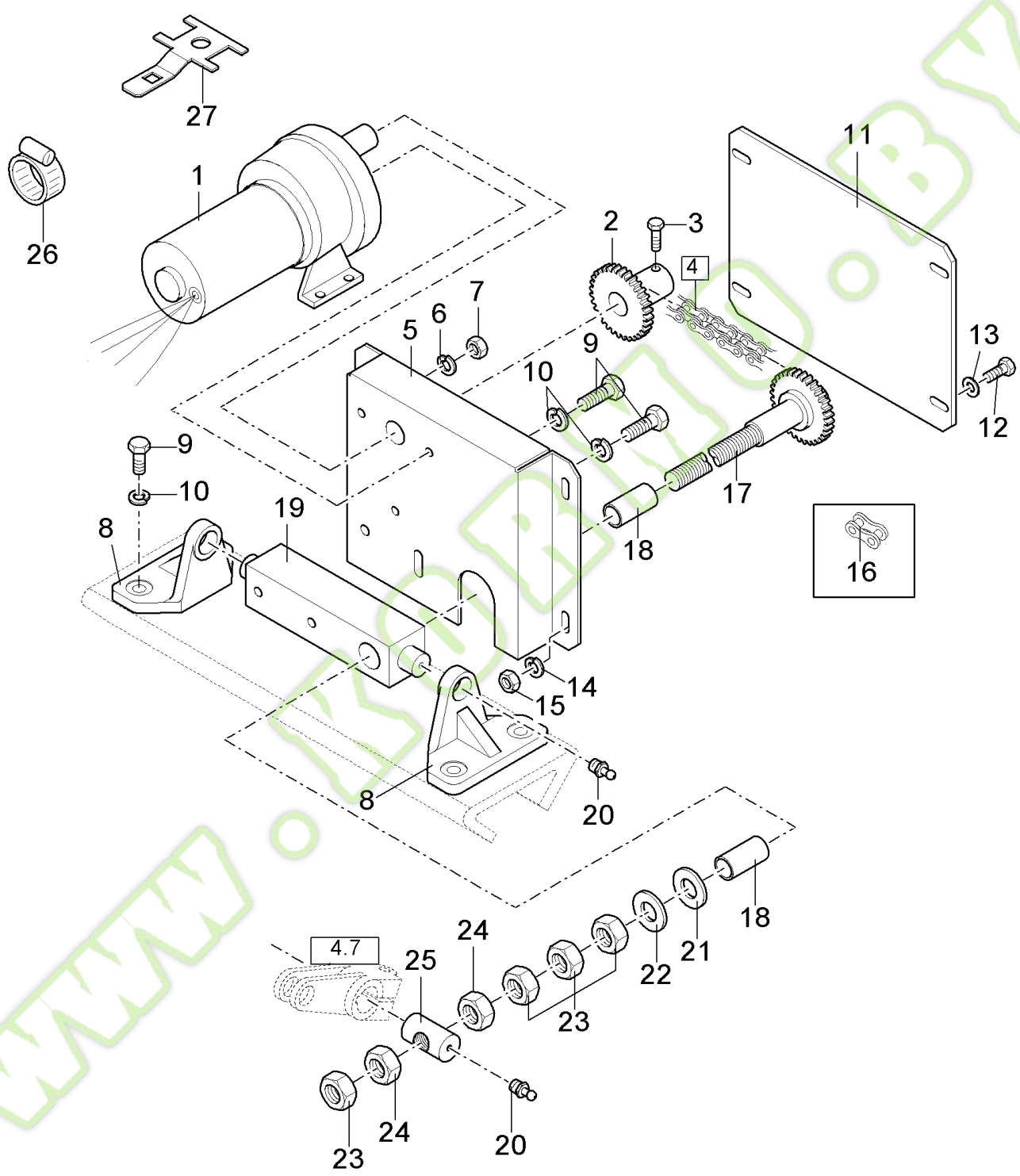
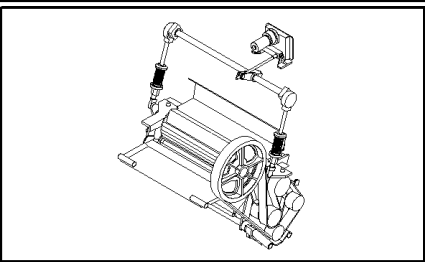
## FX48 SELF-PROPELLED FORAGE HARVESTER (9/98- )

## 04.10(01) ELECTRICAL CONTROL

Ref	Part Number	Qty	Description
1	E6NNT936AA	1	BRACKET, {PP:83981890}
2	9594791	1	SENSOR, {PP:89594791}
3	140045	2	WASHER, LOCK, {PP:80140045} Belleville, M10, 10MM
4	120109	2	SCREW, {PP:80120109} Hex, M10 x 20, 8.8, Full Thd, M10x20
5	398561	4	CLIP, {PP:80398561}
6	E6NNT934AA	1	BUSHING, {PP:83981915}
7	E6NNT933AA	1	LEVER, {PP:83981913}
8	N663107S36	1	CIRCLIP, {PP:83981963}
9	84011824	1	BRACKET,
10	84011825	1	ROD,
11	84035639	1	HARNESS, WIRE,

WWW.KORMO.BY

04.11(01) ELECTRICAL CONTROL



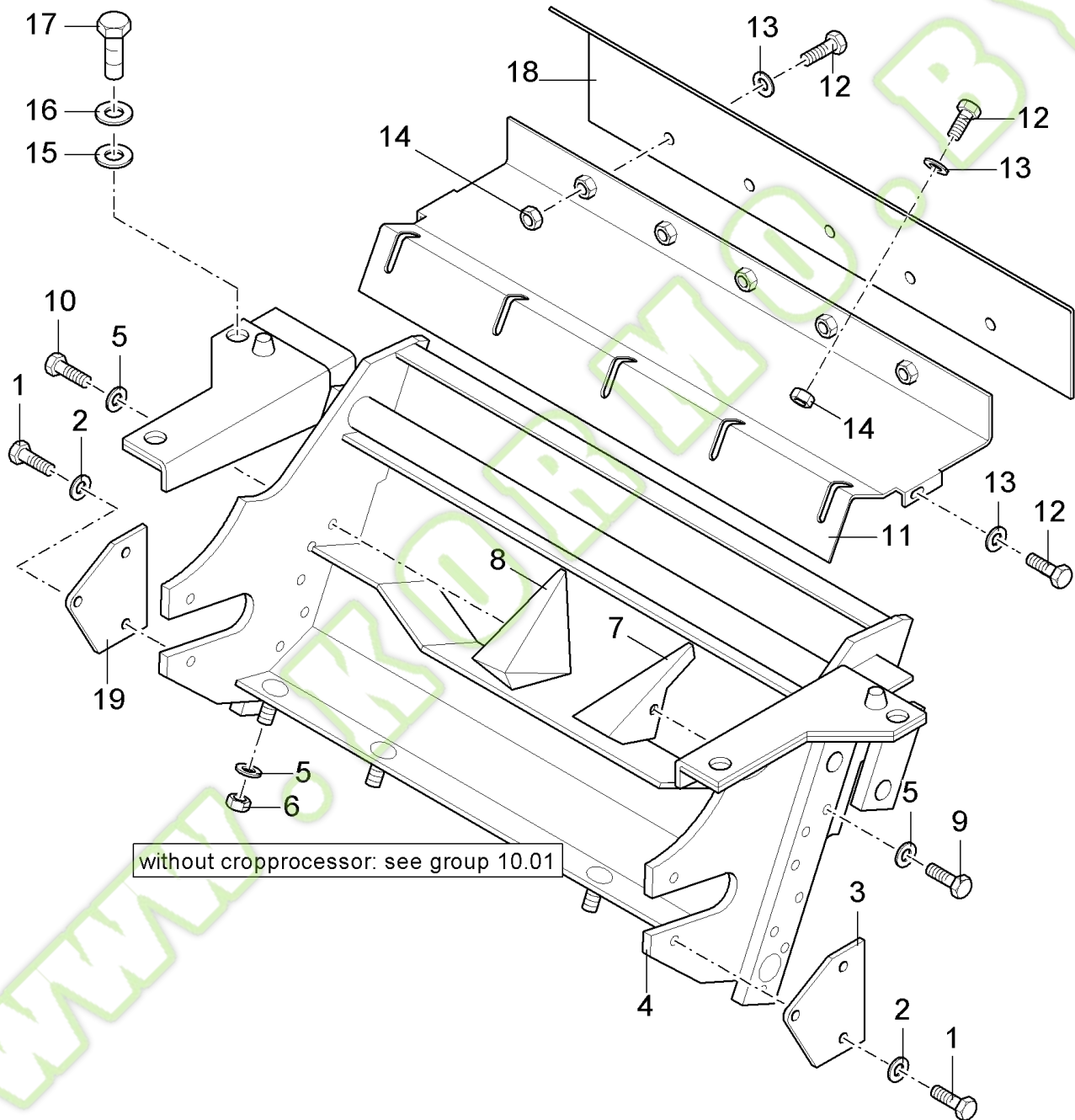
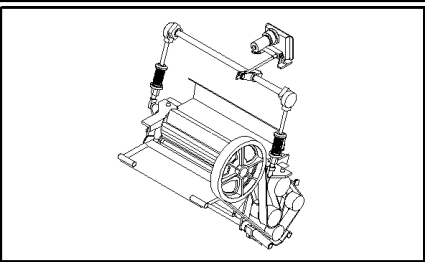
## FX48 SELF-PROPELLED FORAGE HARVESTER (9/98- )

## 04.11(01) ELECTRICAL CONTROL

Ref	Part Number	Qty	Description
1	84019727	1	MOTOR, ELECTRIC, SMALL,
2	84017037	1	SPROCKET, DRIVEN,
3	84012755	1	SCREW, Hex Soc, M6 x 5, M6x6
4	84036397	1	CHAIN, (16)
5	84036403	1	SUPPORT,
6	322357	3	WASHER, LOCK, {PP:80322357} Belleville, M6, Belleville, M6
7	88542	3	SCREW, {PP:80088542} Hex, 1/4"-20 x 1/2", G5, Full Thd, .25"x50"
8	84036413	2	HOUSING, BEARING,
9	43139	4	SCREW, {PP:80043139} Hex, M10 x 25, 8.8, Full Thd, M10x25
10	140045	4	WASHER, LOCK, {PP:80140045} Belleville, M10,
11	84036401	1	PLATE,
13	378243	4	WASHER, {PP:80378243}
14	322358	4	WASHER, LOCK, {PP:80322358} Belleville, M8,
15	100015	4	NUT, {PP:80100015} M8, CI 8, M8
16	25195	1	LINK, CONNECTING, {PP:80025195}
17	84036437	1	ROD, THREADED,
18	382975	2	BUSHING, {PP:80382975}
19	84058650	1	SUPPORT,
20	321204	2	NIPPLE, LUBE, {PP:80321204}
21	168100	4	SHIM, {PP:80168100}
22	378247	1	WASHER, {PP:80378247}
23	320771	4	NUT, {PP:80320771} Thin, M20 x 1.5, CI 04, M20x1.5
24	84036420	2	NUT, M20x1.5
25	84056346	1	PIN,
26	381145	1	CLAMP, {PP:80381145} , ASN D206
27	84032700	1	SUPPORT, , ASN D206
12	16043224	4	SCREW, Hex, M8 x 16, 8.8, Full Thd, M8x16



04.13(01) FRAME AND GUARDS

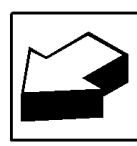
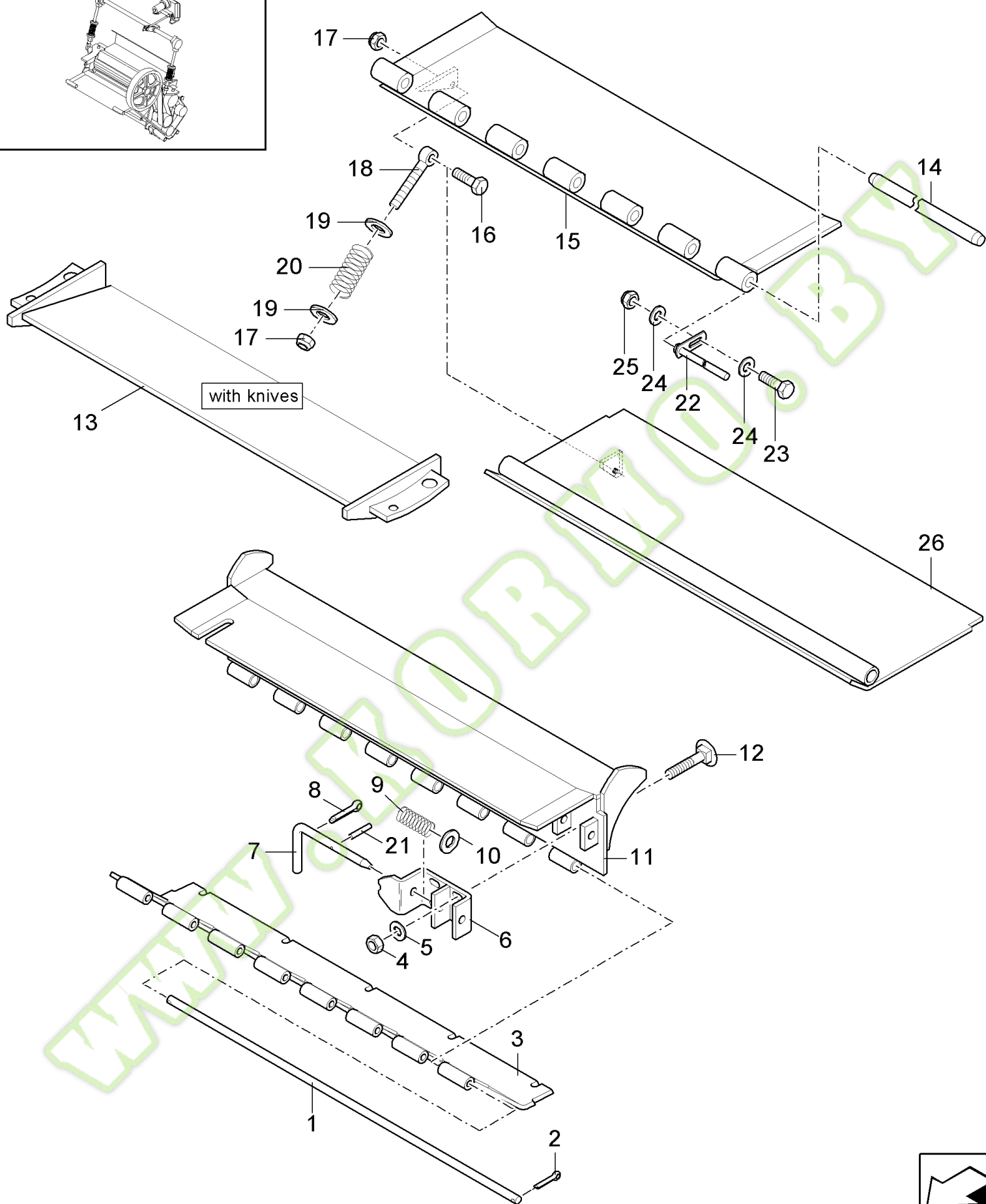
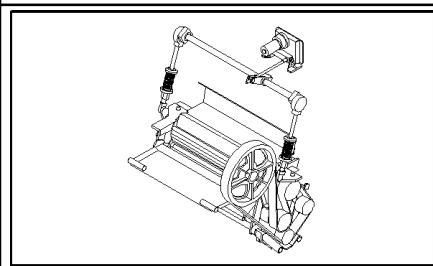


## FX48 SELF-PROPELLED FORAGE HARVESTER (9/98- )

## 04.13(01) FRAME AND GUARDS

Ref	Part Number	Qty	Description
1	120119	4	BOLT, {PP:80120119} Hex, M12 x 20, 8.8, Full Thd, M12x20
2	140046	4	WASHER, LOCK, {PP:80140046} Belleville, M12, 12MM
3	84056338	1	PLATE, COVER, LH
4	84061573	1	FRAME,
5	140045	9	WASHER, LOCK, {PP:80140045} Belleville, M10, 10MM
6	100016	5	NUT, {PP:80100016} M10, CI 8, M10
7	84001328	1	PLATE, SKID,
8	84001329	1	PLATE, SKID,
9	120069	2	SCREW, {PP:80120069} Hex, M10 x 50, 8.8, M10x50
10	325829	2	SCREW, {PP:80325829} Hex, M10 x 45, 8.8, M10x45
11	84026149	1	COVER,
12	80120104	12	SCREW, M8x20
13	322358	12	WASHER, LOCK, {PP:80322358} Belleville, M8,
14	100015	10	NUT, {PP:80100015} M8, CI 8, M8
15	378246	4	WASHER, {PP:80378246}
16	140048	4	WASHER, LOCK, {PP:80140048} Belleville, M16, 16MM
17	120089	4	BOLT, {PP:80120089} Hex, M16 x 40, 8.8, Hex, M16 x 40, 8.8
18	84026147	1	COVER,
19	84056337	1	PLATE, COVER, RH

04.14(01) GUIDES

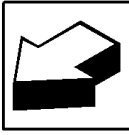
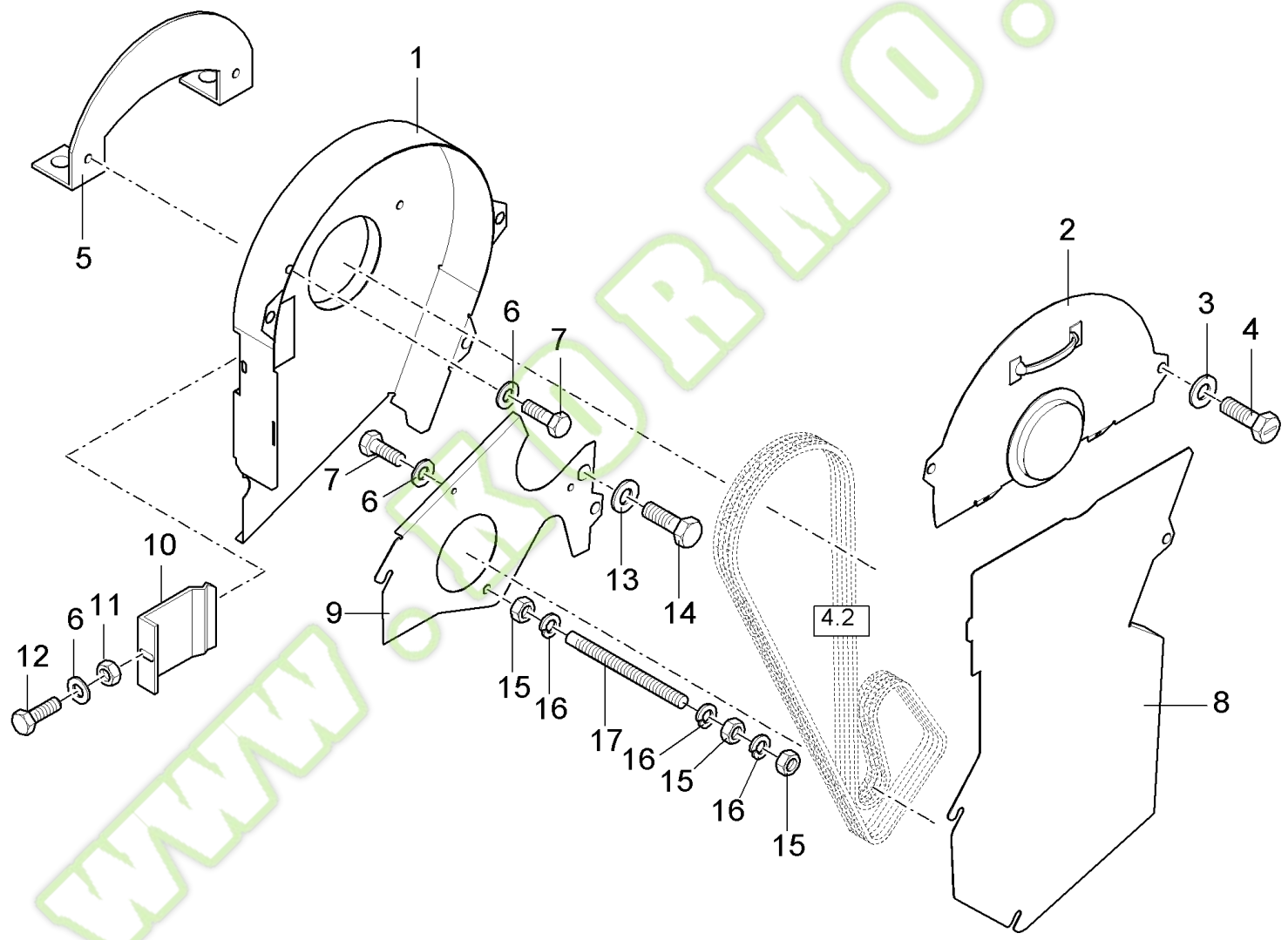
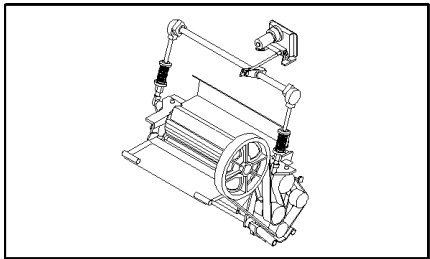


## FX48 SELF-PROPELLED FORAGE HARVESTER (9/98- )

## 04.14(01) GUIDES

Ref	Part Number	Qty	Description
1	84014996	1	ROD,
2	9512667	2	PIN, SPLIT (COTTER), {PP:89512667} M6.3 x 40,
3	84015016	1	COVER,
4	100015	6	NUT, {PP:80100015} M8, CI 8, M8
5	322358	6	WASHER, LOCK, {PP:80322358} Belleville, M8, 8MM
6	84017507	2	GUIDE,
7	84014616	2	HANDLE, CRANKED,
8	130004	2	PIN, SPLIT (COTTER), {PP:80130004} M3.2 x 25,
9	226829	2	SPRING, {PP:80226829}
10	140018	2	WASHER, {PP:80140018} M12 x 24 x 2.5, 12MM
11	84053116	1	PLATE,
12	120037	6	BOLT, {PP:80120037} Short NK, M8 x 20, CI8.8, Full Thd, M8x20
13	84056777	1	PLATE, , WITH KNIVES
14	84053194	1	PIN,
15	84045533	1	PLATE, , IN COMBINATION WITH KNIFE PLATE
16	43140	1	BOLT, {PP:80043140} Hex, M10 x 30, 8.8, M10x30
17	100037	2	NUT, {PP:80100037} M10 x 1.5, CI 8, M10
18	84021756	1	BOLT, BANJO,
19	378244	2	WASHER, LOCK, {PP:80378244}
20	84021757	1	SPRING,
21	370539	2	PIN, SPLIT (COTTER), {PP:80370539}
22	84045688	2	PIN,
23	9706687	2	SCREW, {PP:89706687} Hex, M12 x 30, 8.8, M12x30
24	140046	4	WASHER, LOCK, {PP:80140046} Belleville, M12, 12MM
25	337475	2	NUT, {PP:80337475} M12, CI 10, M12
26	84001350	1	PLATE, , FOR EUROPE ONLY, NON EUROPE ORDERS 84334176, BSN C155
26	84334176	1	PLATE, , ASN D156

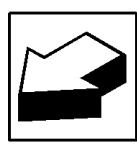
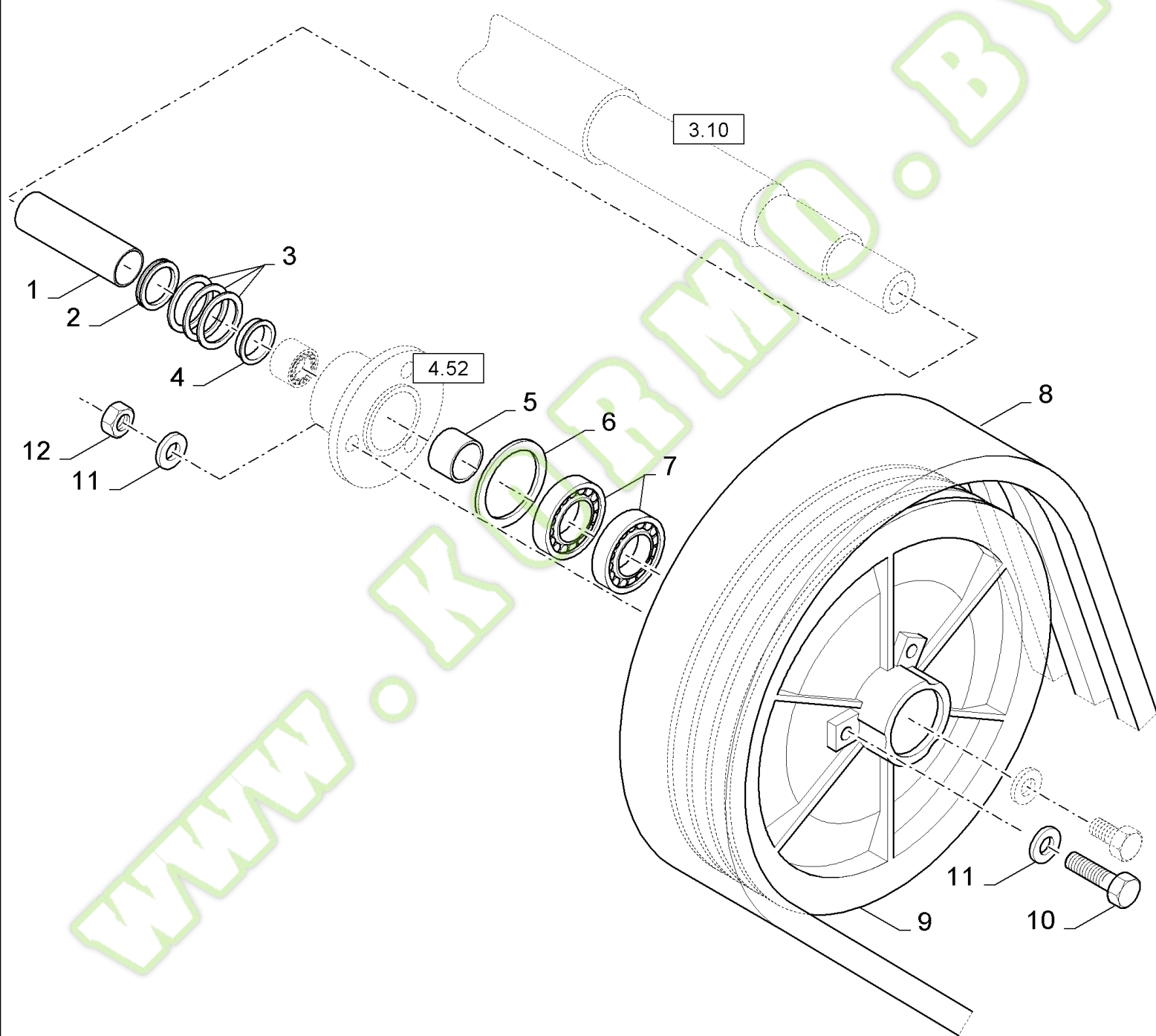
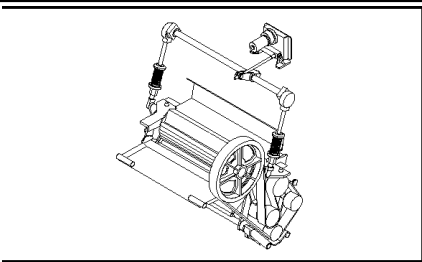
04.15(01) GUARDS



## FX48 SELF-PROPELLED FORAGE HARVESTER (9/98- )

## 04.15(01) GUARDS

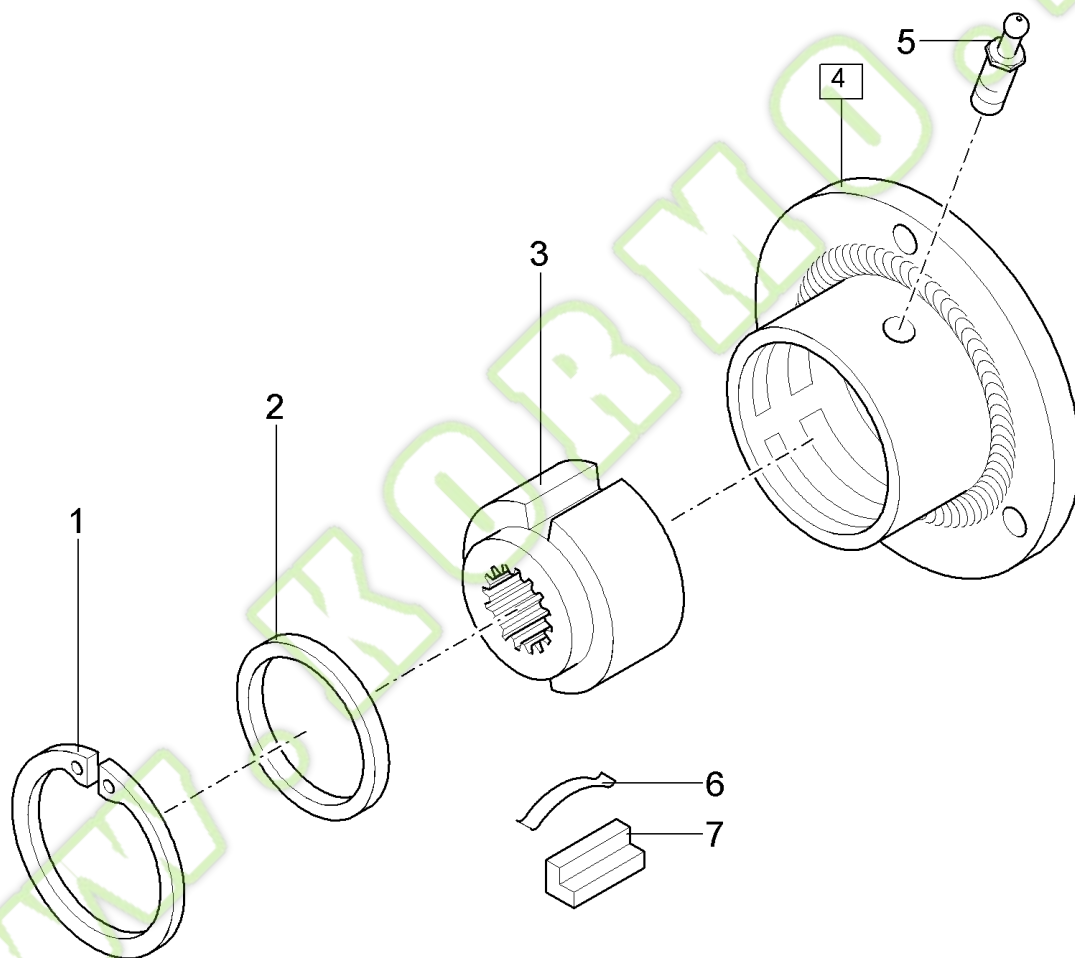
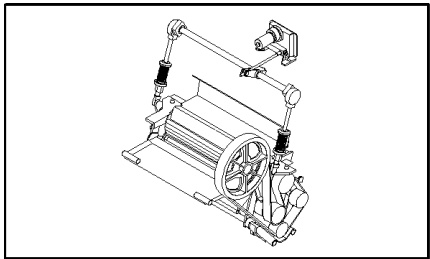
Ref	Part Number	Qty	Description
1	84035876	1	PLATE,
2	84052063	1	SHIELD,
3	9514605	4	RING, LOCKING, {PP:89514605}
4	89514603	4	LOCK,
5	84052769	1	BRACKET,
6	322358	4	WASHER, LOCK, {PP:80322358} Belleville, M8, 8MM
7	80120104	3	SCREW, M8x20
8	84052011	1	PLATE, COVER,
9	84035944	1	PLATE,
10	84052375	1	COVER,
11	100015	1	NUT, {PP:80100015} M8, CI 8,
12	120037	1	BOLT, {PP:80120037} Short NK, M8 x 20, CI8.8, Full Thd,
13	140045	1	WASHER, LOCK, {PP:80140045} Belleville, M10,
14	120109	1	SCREW, {PP:80120109} Hex, M10 x 20, 8.8, Full Thd,
15	337475	3	NUT, {PP:80337475} M12, CI 10, M12, BSN C085
15	100020	3	NUT, {PP:80100020} M16, CI 8, M16, CI 8, ASN D086
16	140046	3	WASHER, LOCK, {PP:80140046} Belleville, M12, 12MM, BSN C085
16	140048	3	WASHER, LOCK, {PP:80140048} Belleville, M16, 16MM, ASN D086
17	80412024	1	ROD, THREADED, M12x140, BSN C085
17	84068869	1	ROD, THREADED, , ASN D086



Ref	Part Number	Qty	Description
1	84068398	1	BUSHING,
2	84068419	1	RING,
3	84068394	AR	SHIM,
4	84077930	1	RING,
5	84015773	1	SPACER,
6	370018	1	RING, SNAP, {PP:80370018}
7	25953	2	BEARING, BALL, {PP:80025953}
8	84054417	1	BELT, TRANSMISSION,
9	84334890	1	PULLEY,
10	100016	3	NUT, {PP:80100016} M10, CI 8, M10
11	140045	6	WASHER, LOCK, {PP:80140045} Belleville, M10, 10MM
12	120068	3	SCREW, {PP:80120068} Hex, M10 x 40, 8.8, Full Thd, M10x40

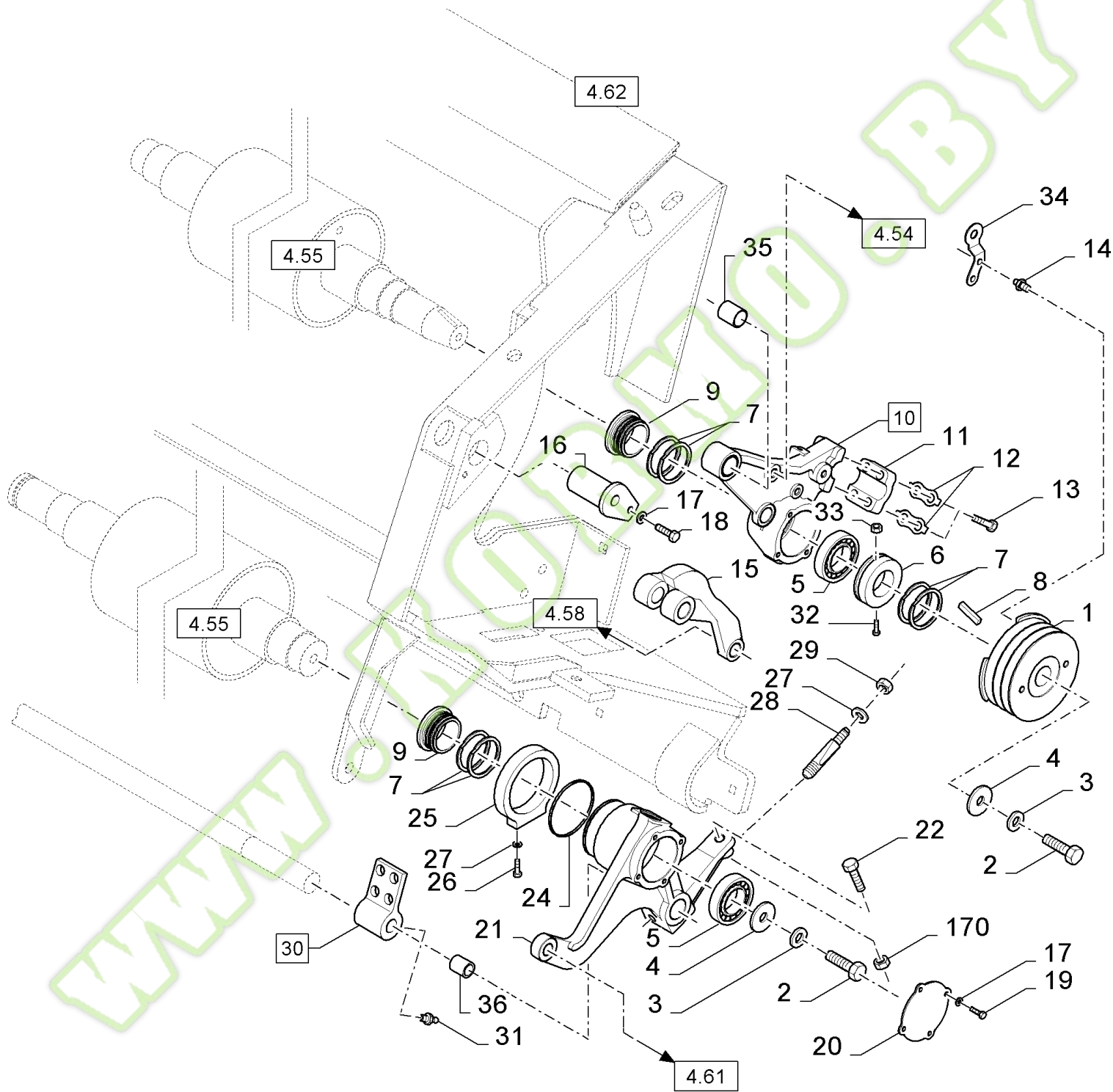
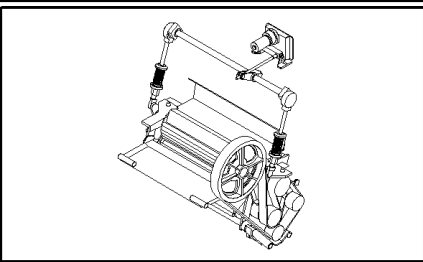
WWW.KORMO.BY





Ref	Part Number	Qty	Description
	84011945	1	CLUTCH, (1 to 7)
1	370018	1	RING, SNAP, {PP:80370018}
2	84031293	1	WASHER,
3	84031294	1	HUB,
4	84031295	1	HOUSING, (5)
5	300919	1	NIPPLE, LUBE, {PP:80300919}
6	449317	2	SPRING, {PP:80449317}
7	449316	2	KEY, {PP:80449316}

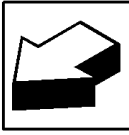
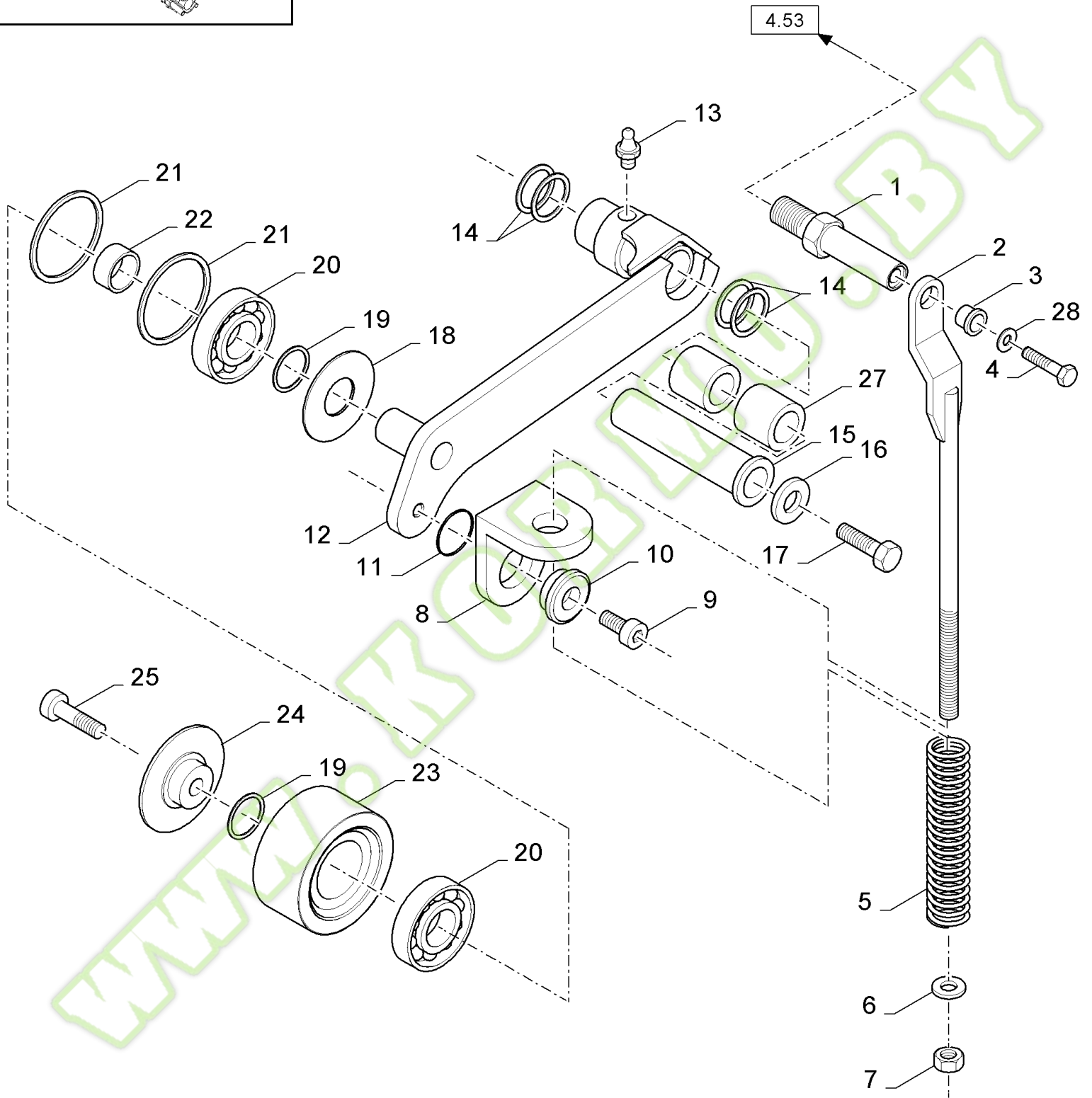
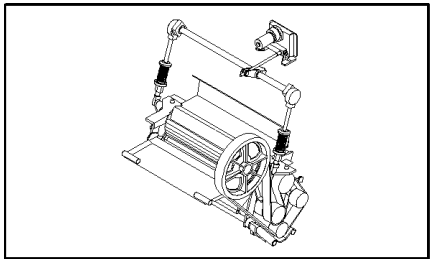
WWW.KORMO.BY



## FX48 SELF-PROPELLED FORAGE HARVESTER (9/98- )

04.53(01) CROP PRO PLUS TM, ROLLS - LH - D186

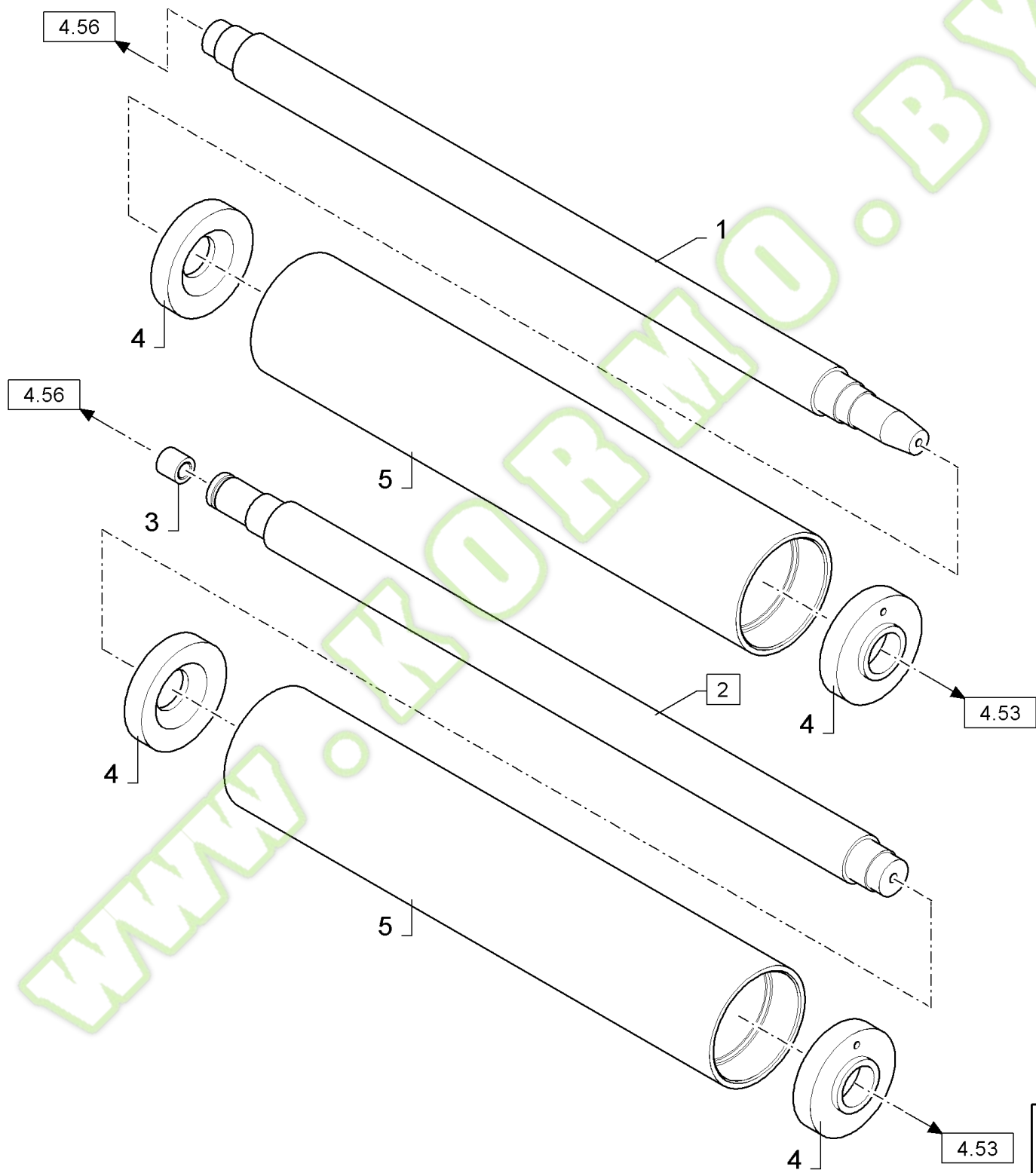
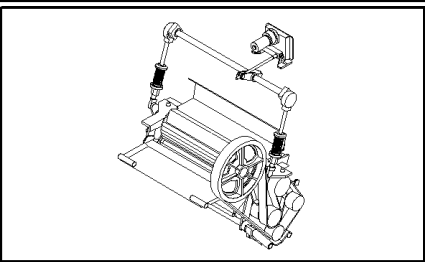
Ref	Part Number	Qty	Description
1	84334898	1	PULLEY,
2	9706687	AR	SCREW, {PP:89706687} Hex, M12 x 30, 8.8, M12x30
3	140046	AR	WASHER, LOCK, {PP:80140046} Belleville, M12, 12MM
4	9801096	2	WASHER, {PP:89801096}
5	323327	2	BEARING ASSY, {PP:80323327}
6	84077521	1	RING,
7	89850344	3	SET OF RINGS,
8	360956	1	KEY, {PP:80360956}
9	84000853	2	FLANGE,
10	84334979	1	HOUSING, BEARING, (35), BSN C189
10	84435643	1	HOUSING, BEARING, , ASN D190
11	84077738	1	CLAMP,
12	84431904	2	PLATE, LOCKING,
13	120068	AR	SCREW, {PP:80120068} Hex, M10 x 40, 8.8, Full Thd, M10x40
14	84056907	1	SENSOR,
15	84432431	1	CAM,
16	84075366	1	PIN,
17	322358	AR	WASHER, LOCK, {PP:80322358} Belleville, M8, 8MM
18	80120104	AR	SCREW, M8x20
20	84432724	1	COVER,
21	84334814	1	HOUSING, BEARING,
22	394674	2	BOLT, {PP:80394674} Hex, M16 x 80, 8.8, Full Thd, Hex, M16 x 80, 8.8, Full Thd
23	100020	AR	NUT, {PP:80100020} M16, CI 8, M16, CI 8
24	370010	1	CIRCLIP, {PP:80370010}
25	84075050	1	BUSHING,
26	43139	AR	SCREW, {PP:80043139} Hex, M10 x 25, 8.8, Full Thd, M10x25
27	140045	AR	WASHER, LOCK, {PP:80140045} Belleville, M10, 10MM
28	84989980	2	STUD,
29	100016	AR	NUT, {PP:80100016} M10, CI 8, M10
30	84334121	1	HOUSING, BEARING, (36)
31	9838669	AR	NIPPLE, LUBE, {PP:89838669}
32	300479	AR	SCREW, {PP:80300479} Hex Soc, M8 x 25, Cup Pt, M8x25
33	89706690	AR	NUT, CL 8, M8 x 1.25 x 13.0
34	84434923	1	SUPPORT,
35	84054389	1	SLEEVE,
36	412365	1	SLEEVE, {PP:80412365}
19	16043224	AR	SCREW, Hex, M8 x 16, 8.8, Full Thd, M8x16



## FX48 SELF-PROPELLED FORAGE HARVESTER (9/98- )

## 04.54(01) CROP PRO PLUS TM, TENSION ROLL - D186

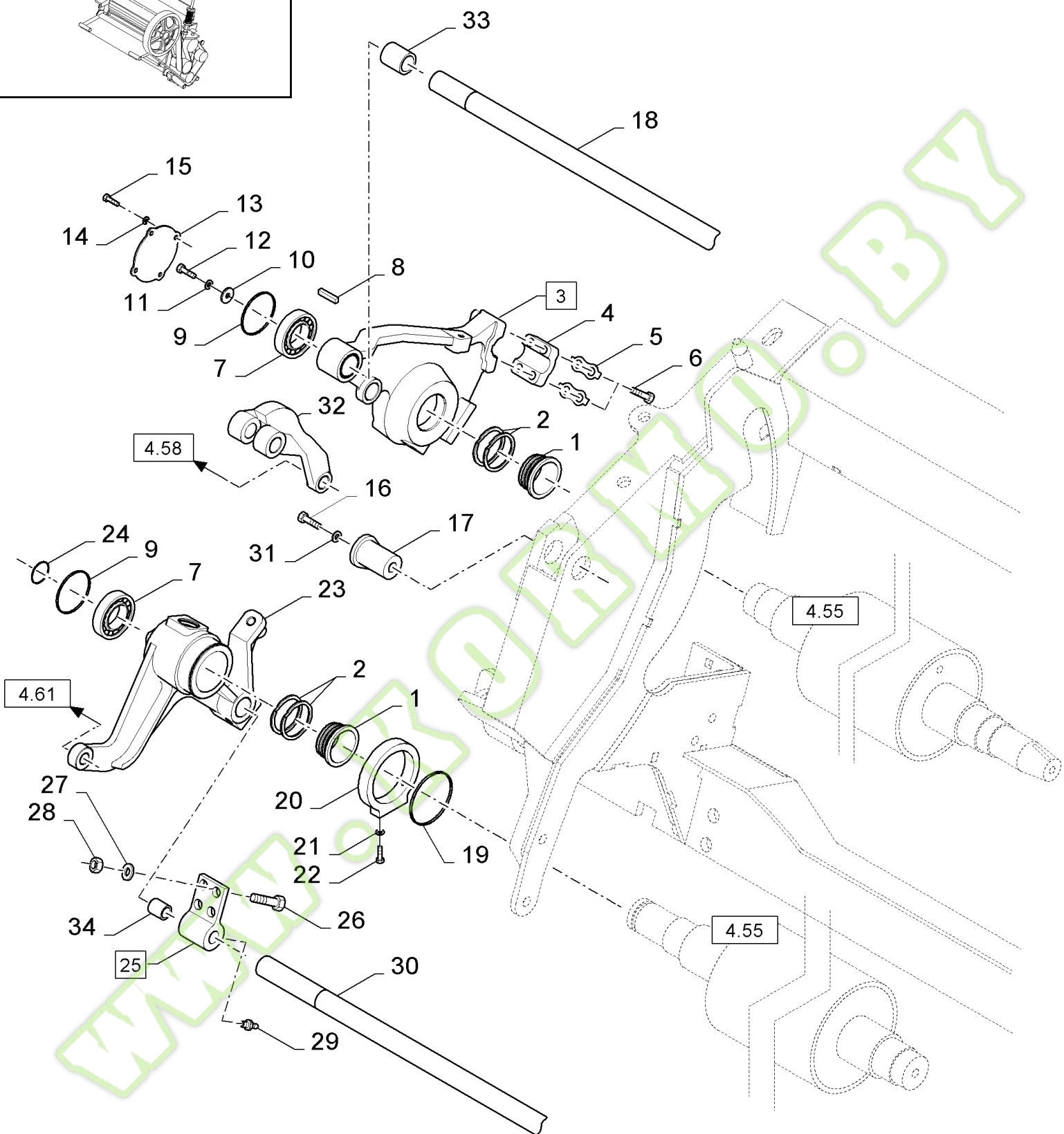
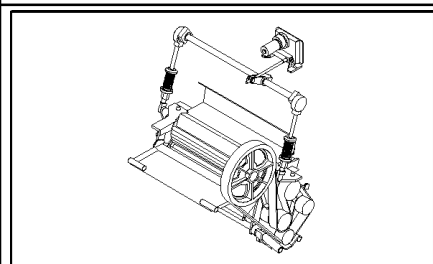
Ref	Part Number	Qty	Description
1	84433029	1	SHAFT,
2	84434678	1	ROD,
3	84434679	1	BUSHING,
4	43140	1	BOLT, {PP:80043140} Hex, M10 x 30, 8.8, M10x30
5	84078666	1	SPRING,
6	378245	AR	WASHER, {PP:80378245} 12MM
7	89706685	AR	NUT, M12
8	84432908	1	BRACKET,
9	84433115	1	SCREW, , BSN C205
9	412671	1	SCREW, {PP:80412671} Hex Soc Flat Hd, M10 x 20, 8.8, , ASN D206
10	84432917	1	BUSHING, , BSN C205
10	84435970	1	BUSHING, , ASN D206
11	140100	1	WASHER, {PP:80140100}
12	84077579	1	SUPPORT,
13	9838669	AR	NIPPLE, LUBE, {PP:89838669}
14	385188	4	SHIM, {PP:80385188}
15	84432944	1	SHAFT, , BSN C189
15	84435640	1	SHAFT, , ASN D190
16	140020	AR	WASHER, {PP:80140020} M16 x 30 x 3, 16MM
17	354360	1	SCREW, {PP:80354360} Hex, M16 x 130, 8.8, M16x130
18	84075353	1	WASHER,
19	66288	2	WASHER, {PP:80066288}
20	443898	2	BEARING ASSY, {PP:80443898}
21	370011	2	CIRCLIP, {PP:80370011}
22	84433030	1	BUSHING,
23	84334973	1	WHEEL, IDLER,
24	84434160	1	RING,
25	86528768	1	SCREW, Hex Soc Hd, M10 x 20, 12.9, M10x20
26	140043	1	WASHER, {PP:80140043} 10MM
27	80395589	2	SLEEVE,
28	140045	1	WASHER, LOCK, {PP:80140045} Belleville, M10, 10MM



Ref	Part Number	Qty	Description
1	84074960	1	SHAFT, , UPPER
2	84078633	1	SHAFT, , LOWER(3)
3	84434744	1	BUSHING,
4	84078347	4	RING, , BSN C237
4	84814419	4	RING, , ASN D238
5	84074961	2	ROLLER,

WWW.KORMO.BY

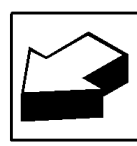
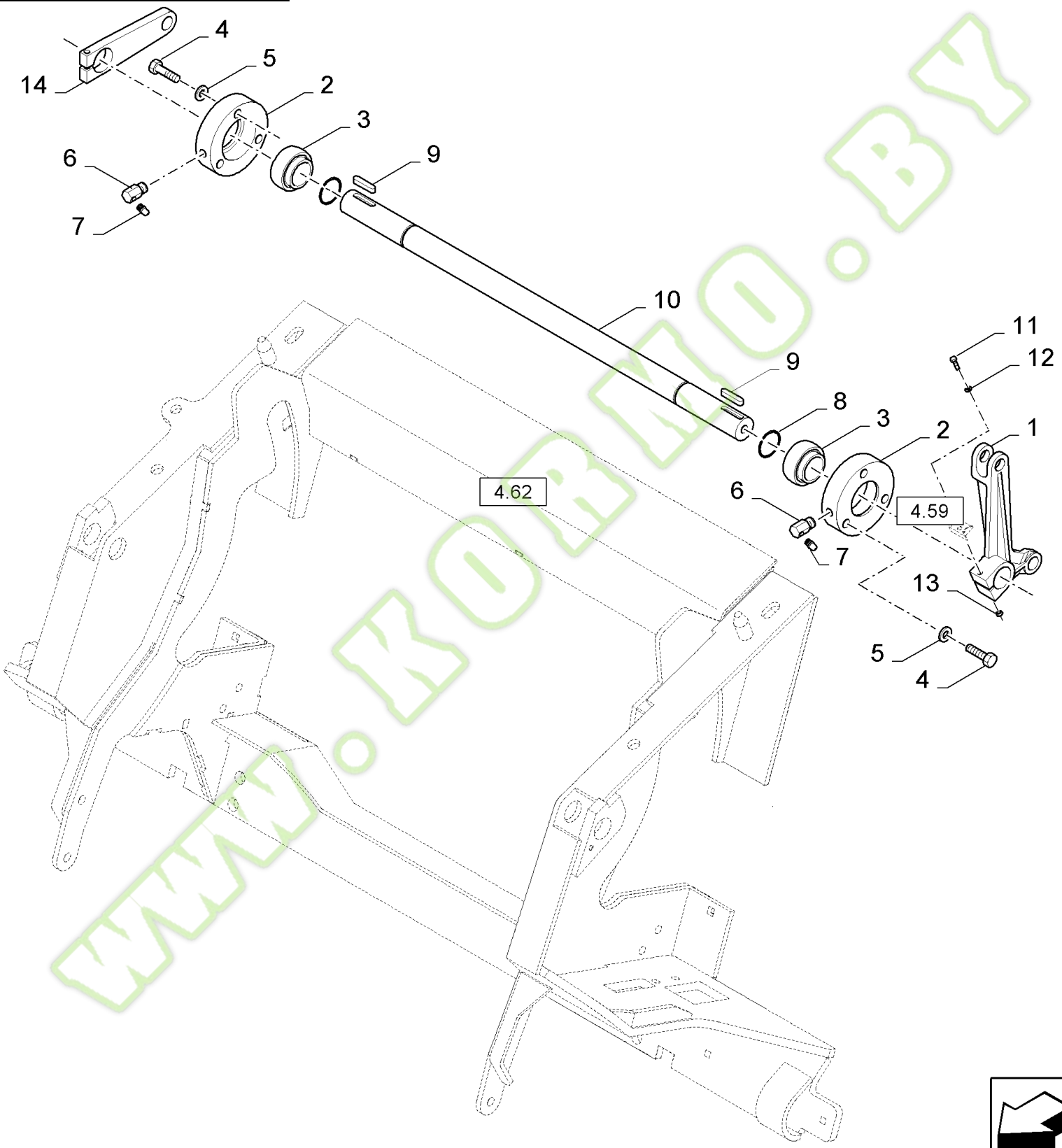
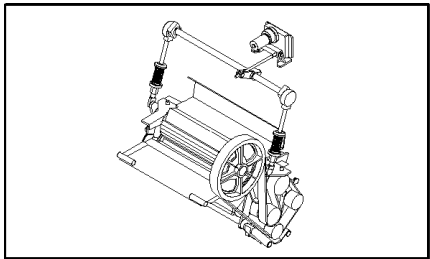




## FX48 SELF-PROPELLED FORAGE HARVESTER (9/98- )

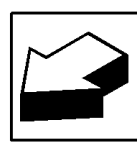
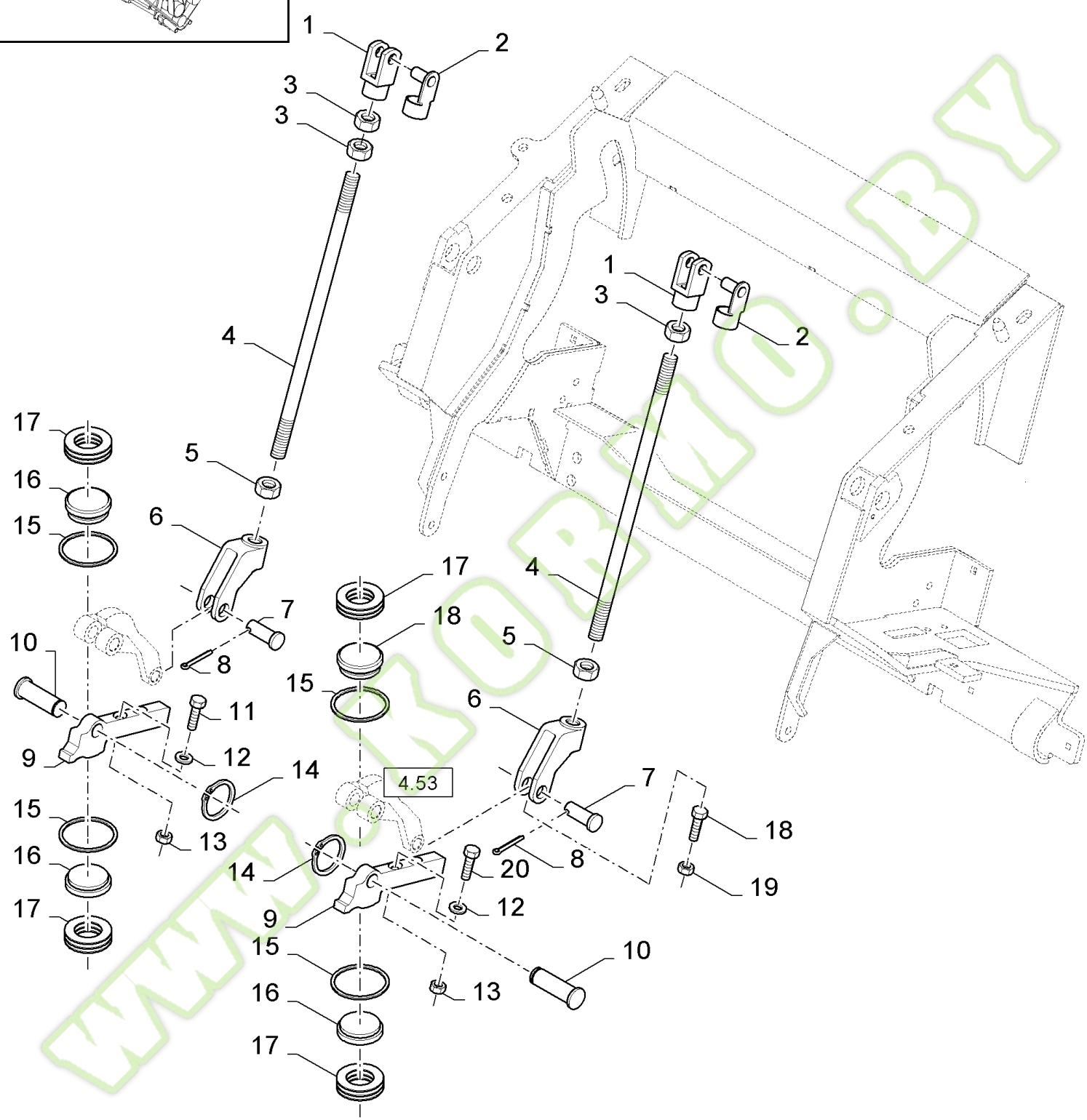
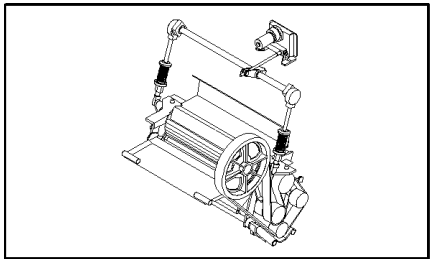
04.56(01) CROP PRO PLUS TM, ROLLS - RH - D186

Ref	Part Number	Qty	Description
1	84000853	2	FLANGE,
2	89850344	2	SET OF RINGS,
3	84334899	1	HOUSING, BEARING, (33)
4	84077738	2	CLAMP,
5	84431904	2	PLATE, LOCKING,
6	120068	AR	SCREW, {PP:80120068} Hex, M10 x 40, 8.8, Full Thd, M10x40
7	323327	2	BEARING ASSY, {PP:80323327}
8	354775	AR	KEY, {PP:80354775}
9	80300633	2	RING, SNAP,
10	9801096	1	WASHER, {PP:89801096}
11	140046	AR	WASHER, LOCK, {PP:80140046} Belleville, M12, 12MM
12	9706687	AR	SCREW, {PP:89706687} Hex, M12 x 30, 8.8, M12x30
13	84432724	1	COVER,
14	322358	AR	WASHER, LOCK, {PP:80322358} Belleville, M8, 8MM
16	80120104	AR	SCREW, M8x20
17	84075366	1	PIN,
18	84433209	1	SHAFT,
19	370010	1	CIRCLIP, {PP:80370010}
20	84075050	1	BUSHING,
21	140045	AR	WASHER, LOCK, {PP:80140045} Belleville, M10, 10MM
22	43139	AR	SCREW, {PP:80043139} Hex, M10 x 25, 8.8, Full Thd, M10x25
23	84334860	AR	HOUSING, BEARING,
24	370006	1	CIRCLIP, {PP:80370006}
25	84989500	1	HOUSING, BEARING, (34)
26	120090	AR	SCREW, {PP:80120090} Hex, M16 x 50, 8.8, Hex, M16 x 50, 8.8
27	140048	AR	WASHER, LOCK, {PP:80140048} Belleville, M16, 16MM
28	100020	AR	NUT, {PP:80100020} M16, CI 8, M16, CI 8
29	321204	AR	NIPPLE, LUBE, {PP:80321204}
30	84433211	1	SHAFT,
31	322358	AR	WASHER, LOCK, {PP:80322358} Belleville, M8, 8MM
32	84432411	1	CAM,
33	84054389	1	SLEEVE,
34	412365	1	SLEEVE, {PP:80412365}
15	16043224	AR	SCREW, Hex, M8 x 16, 8.8, Full Thd, M8x16



Ref	Part Number	Qty	Description
1	84334827	1	LINK, LIFT,
2	84334577	2	HOUSING, BEARING,
3	84334566	2	BEARING ASSY,
4	325829	AR	SCREW, {PP:80325829} Hex, M10 x 45, 8.8, M10x45
5	140045	AR	WASHER, LOCK, {PP:80140045} Belleville, M10, 10MM
6	84053211	AR	CONNECTOR, HYD.,
7	9838669	AR	NIPPLE, LUBE, {PP:89838669}
8	370004	2	CIRCLIP, {PP:80370004}
9	354775	AR	KEY, {PP:80354775}
10	84433210	1	SHAFT,
12	140045	AR	WASHER, LOCK, {PP:80140045} Belleville, M10, 10MM
13	100016	AR	NUT, {PP:80100016} M10, CI 8, M10
14	84334817	1	LINK, LIFT,
11	43144	2	SCREW, {PP:80043144} Hex, M10 x 70, 8.8, M10x70

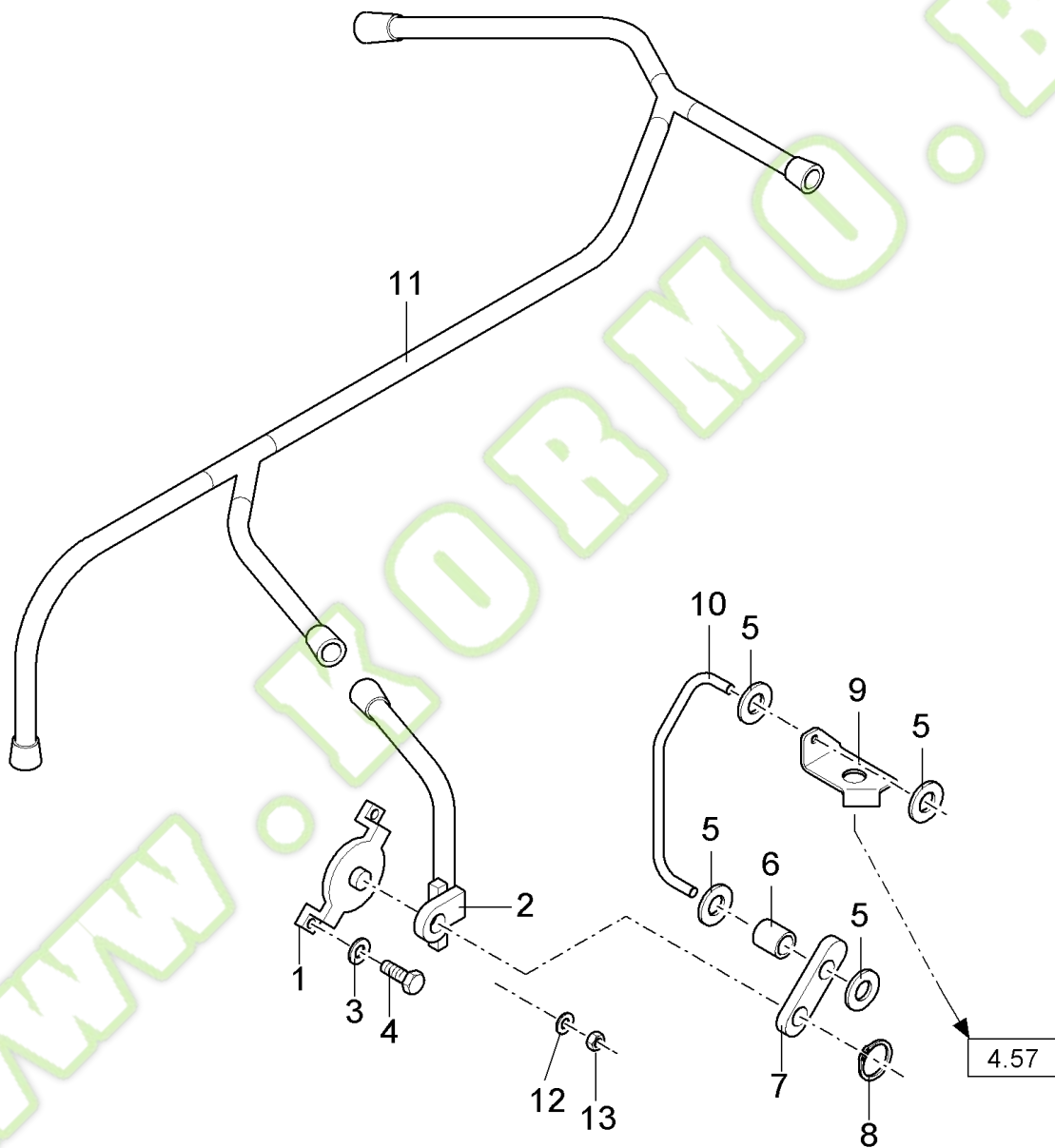
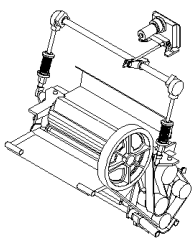
WWW.KORMO.BY



## FX48 SELF-PROPELLED FORAGE HARVESTER (9/98- )

## 04.58(01) CROP PRO PLUS TM, ROLL ADJUSTMENT - LOWER - D186

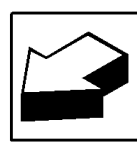
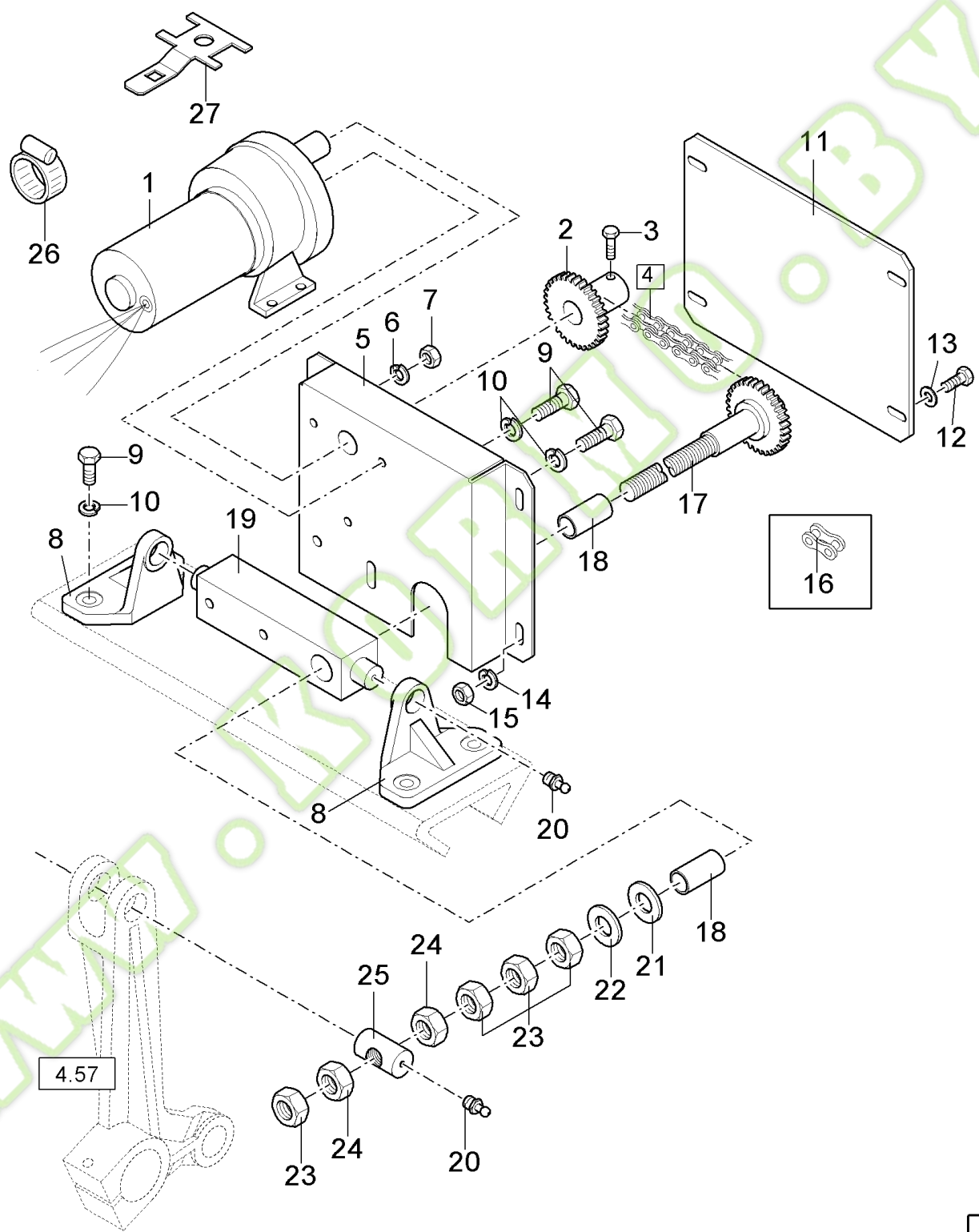
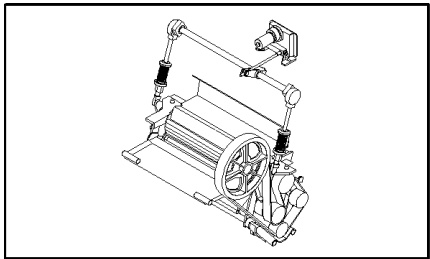
Ref	Part Number	Qty	Description
1	9811840	2	CLEVIS, {PP:89811840}
2	84078959	2	CLEVIS,
3	100020	AR	NUT, {PP:80100020} M16, CI 8, M16, CI 8
4	84334269	2	STUD,
5	89505466	2	NUT, M16
6	84334968	2	FORK, , BSN C193
6	84435919	2	FORK, , ASN D194
7	390089	2	SPINDLE, {PP:80390089} , BSN C185
8	130007	2	PIN, SPLIT (COTTER), {PP:80130007} M4 x 25,
9	84989385	2	CAM, , BSN C221
9	84440700	2	CAM, , ASN D222
10	84073494	2	PIN,
11	325829	AR	SCREW, {PP:80325829} Hex, M10 x 45, 8.8, M10x45
12	140045	AR	WASHER, LOCK, {PP:80140045} Belleville, M10, 10MM
13	100016	AR	NUT, {PP:80100016} M10, CI 8, M10
14	300627	2	RING, SNAP, {PP:80300627}
15	80300642	4	CIRCLIP,
16	84077122	4	STOP,
17	84334884	12	SHIM,
18	86629541	2	BOLT, Hex, M12 x 40, 8.8, Full Thd, M12x40, BSN C193
18	120122	2	SCREW, {PP:80120122} Hex, M12 x 50, 8.8, Full Thd, M12x50, ASN D194
19	89706685	2	NUT, M12
20	80378862	4	SCREW, M10x50, BSN C229
20	84041534	4	SCREW, Hex Soc Flat Hd, M10 x 55, 8.8, M10x55, ASN D230



Ref	Part Number	Qty	Description
1	E6NNT936AA	1	BRACKET, {PP:83981890}
2	9594791	1	SENSOR, {PP:89594791}
3	140045	2	WASHER, LOCK, {PP:80140045} Belleville, M10, 10MM
4	43138	2	SCREW, {PP:80043138} Hex, M10 x 20, 8.8, Full Thd, M10x20
5	398561	4	CLIP, {PP:80398561}
6	E6NNT934AA	1	BUSHING, {PP:83981915}
7	E6NNT933AA	1	LEVER, {PP:83981913}
8	N663107S36	1	CIRCLIP, {PP:83981963}
9	84432815	1	SUPPORT,
10	84433191	1	ROD,
11	84432383	1	HARNESS, WIRE,
12	322355	1	WASHER, LOCK, {PP:80322355} Belleville, M4, 4MM
13	100012	1	NUT, {PP:80100012} M4, CI 8, M4

WWW.KORMO.BY

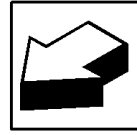
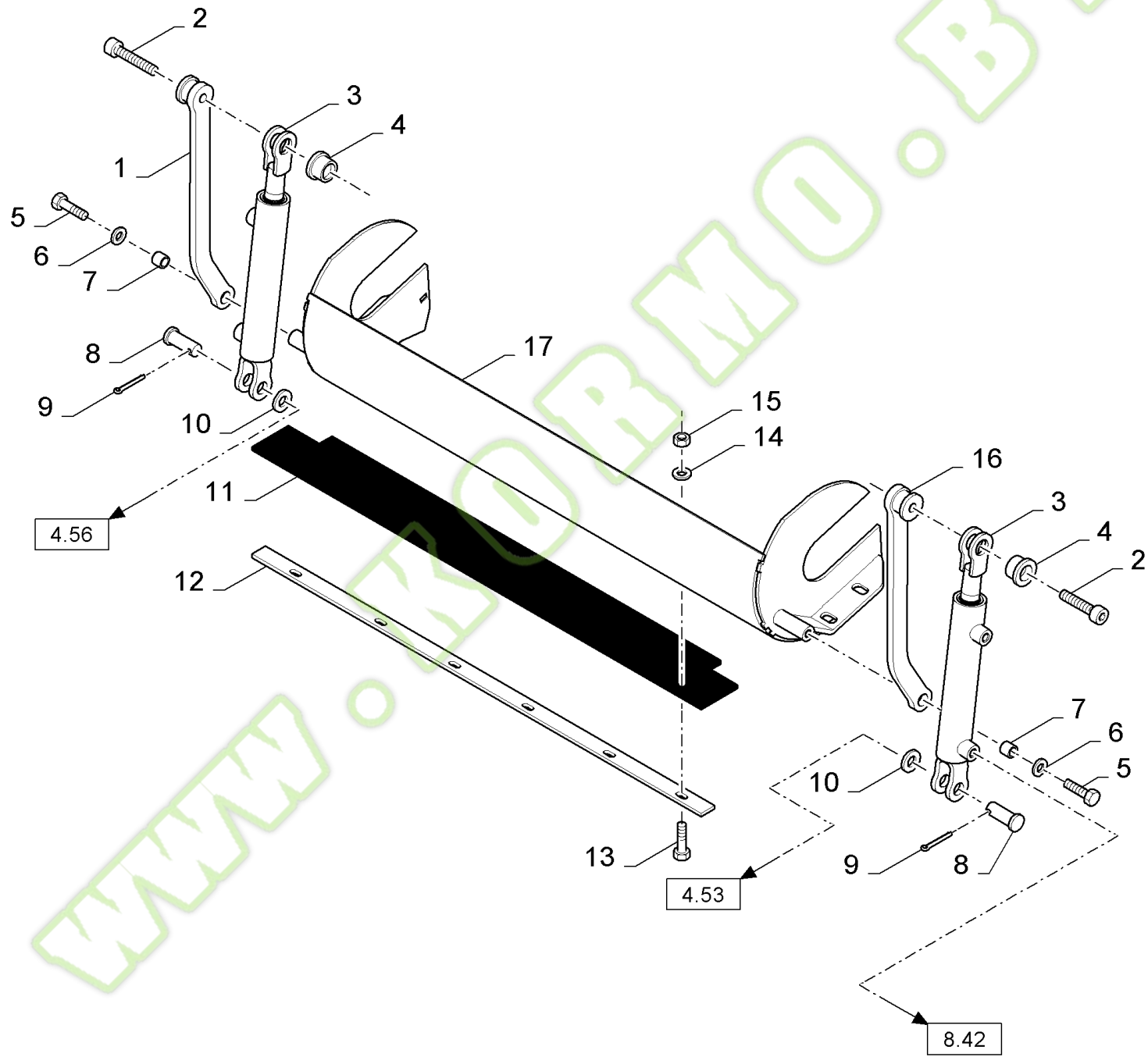
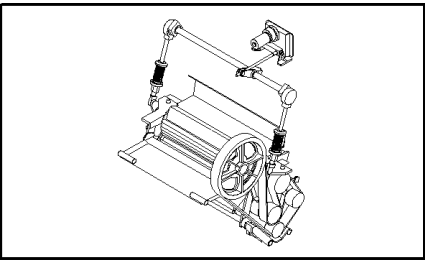




## FX48 SELF-PROPELLED FORAGE HARVESTER (9/98- )

## 04.60(01) CROP PRO PLUS TM, ELECTRICAL CONTROL ENGINE - D186

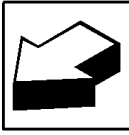
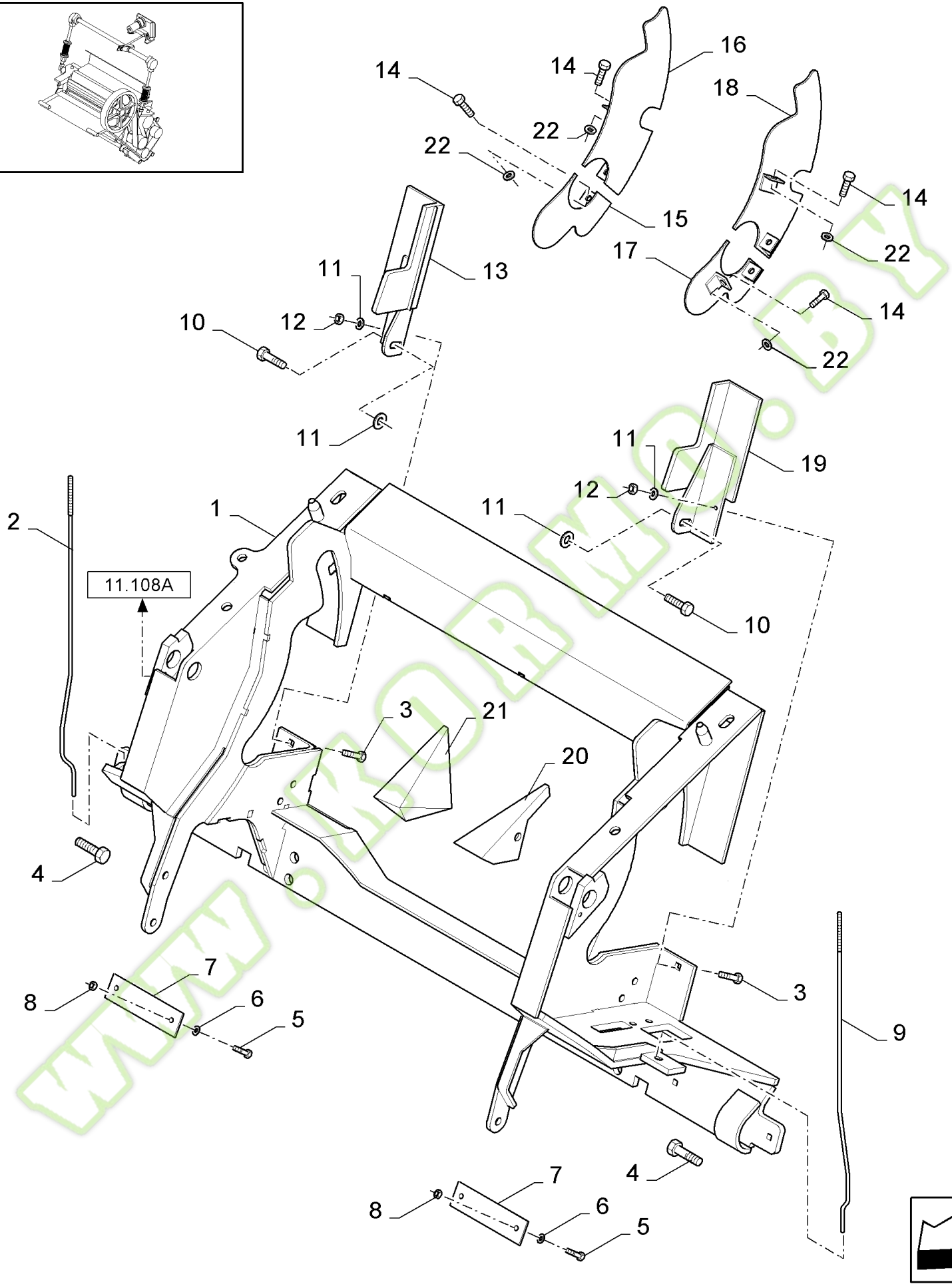
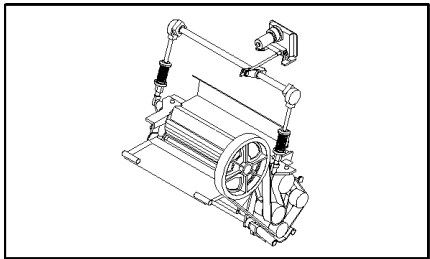
Ref	Part Number	Qty	Description
1	84019727	1	MOTOR, ELECTRIC, SMALL,
2	84017037	1	SPROCKET, DRIVEN,
3	84012755	1	SCREW, Hex Soc, M6 x 5, M6x5
4	84036397	1	CHAIN, (16)
5	84036403	1	SUPPORT,
6	322357	3	WASHER, LOCK, {PP:80322357} Belleville, M6, Belleville, M6
7	88542	3	SCREW, {PP:80088542} Hex, 1/4"-20 x 1/2", G5, Full Thd, .25"x50"
8	84036413	2	HOUSING, BEARING,
9	43139	4	SCREW, {PP:80043139} Hex, M10 x 25, 8.8, Full Thd, M10x25
10	140045	4	WASHER, LOCK, {PP:80140045} Belleville, M10, 10MM
11	84036401	1	PLATE,
13	378243	4	WASHER, {PP:80378243}
14	322358	4	WASHER, LOCK, {PP:80322358} Belleville, M8, 8MM
15	89706690	4	NUT, CL 8, M8 x 1.25 x 13.0
16	25195	1	LINK, CONNECTING, {PP:80025195}
17	84054410	1	ROD, THREADED,
18	382975	2	BUSHING, {PP:80382975}
19	84058650	1	SUPPORT,
20	321204	2	NIPPLE, LUBE, {PP:80321204}
21	168100	4	SHIM, {PP:80168100}
22	378247	1	WASHER, {PP:80378247} 20MM
23	320771	4	NUT, {PP:80320771} Thin, M20 x 1.5, Cl 04, M20x1.5
24	84036420	2	NUT, M20x1.5
25	84056346	1	PIN,
26	381145	1	CLAMP, {PP:80381145} , ASN D206
27	84032700	1	SUPPORT, , ASN D206
12	16043224	4	SCREW, Hex, M8 x 16, 8.8, Full Thd, M8x16



## FX48 SELF-PROPELLED FORAGE HARVESTER (9/98- )

## 04.61(01) SWITCH OVER SYSTEM MAIZ/GRASS - D186

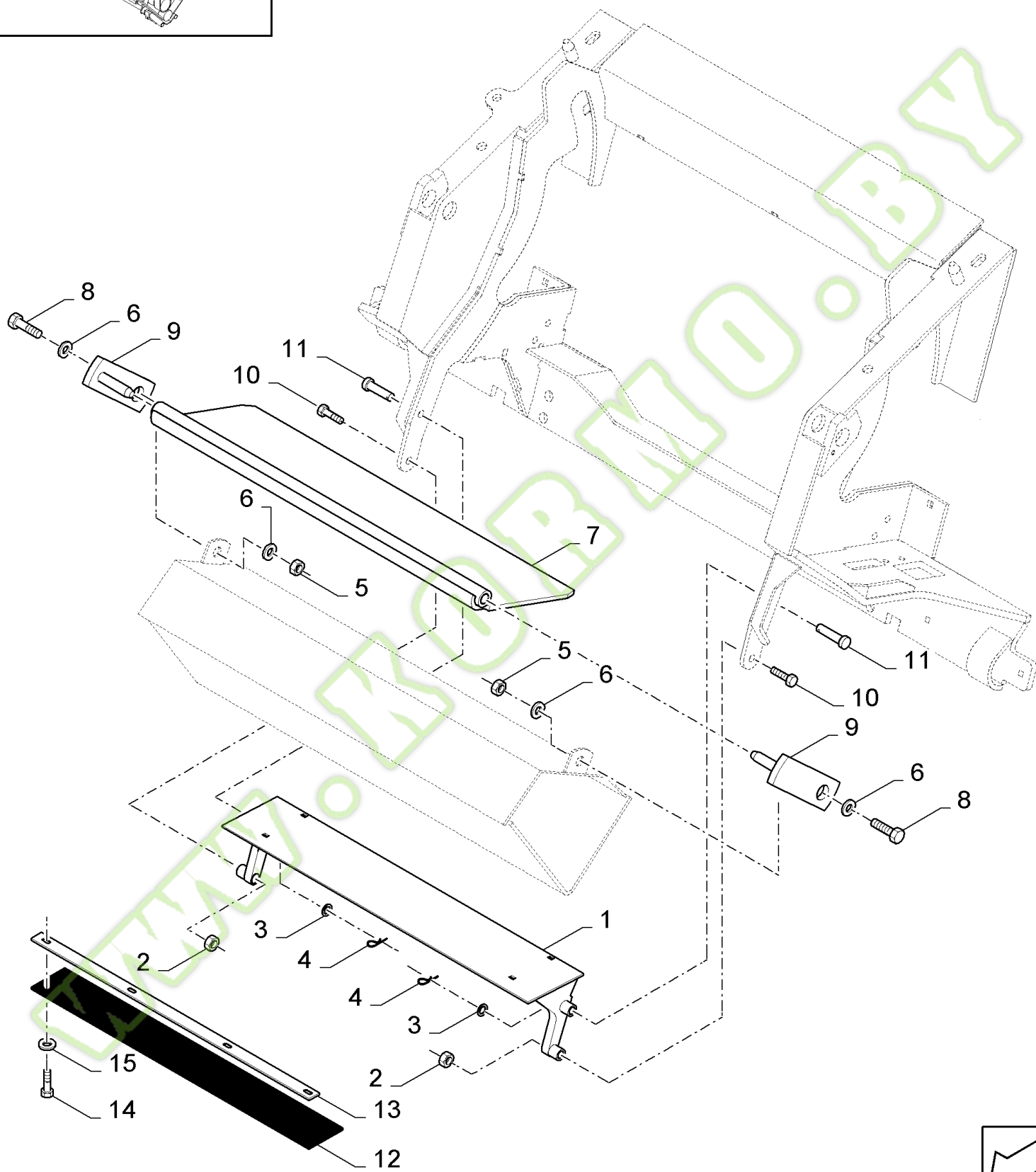
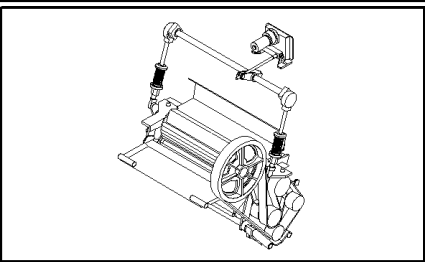
Ref	Part Number	Qty	Description
1	84432540	1	LINK/SHACKLE,
2	280685	2	SCREW, {PP:80280685} Hex Soc Hd, M12 x 40, 12.9, M12x40
3	84431304	2	HYDRAULIC CYLINDER,
4	84433199	2	BUSHING,
5	43140	AR	BOLT, {PP:80043140} Hex, M10 x 30, 8.8, M10x30
6	378244	AR	WASHER, LOCK, {PP:80378244} 10MM
7	84433200	2	BUSHING,
8	80383965	2	PIN,
9	412685	2	PIN, SPLIT (COTTER), {PP:80412685} M4 x 32,
10	140022	2	WASHER, {PP:80140022} M24 x 44 x 4, 24MM
11	84073770	1	CANVAS,
12	84432543	1	PLATE,
13	308761	6	SCREW, {PP:80308761} Short NK, M8 x 25, CI8.8, Full Thd, M8x25
14	322358	AR	WASHER, LOCK, {PP:80322358} Belleville, M8, 8MM
15	43442	6	NUT, {PP:80043442} M8 x 1.25", CI 8, M8
16	84432541	1	LINK/SHACKLE,
17	84434682	1	COVER,



## FX48 SELF-PROPELLED FORAGE HARVESTER (9/98- )

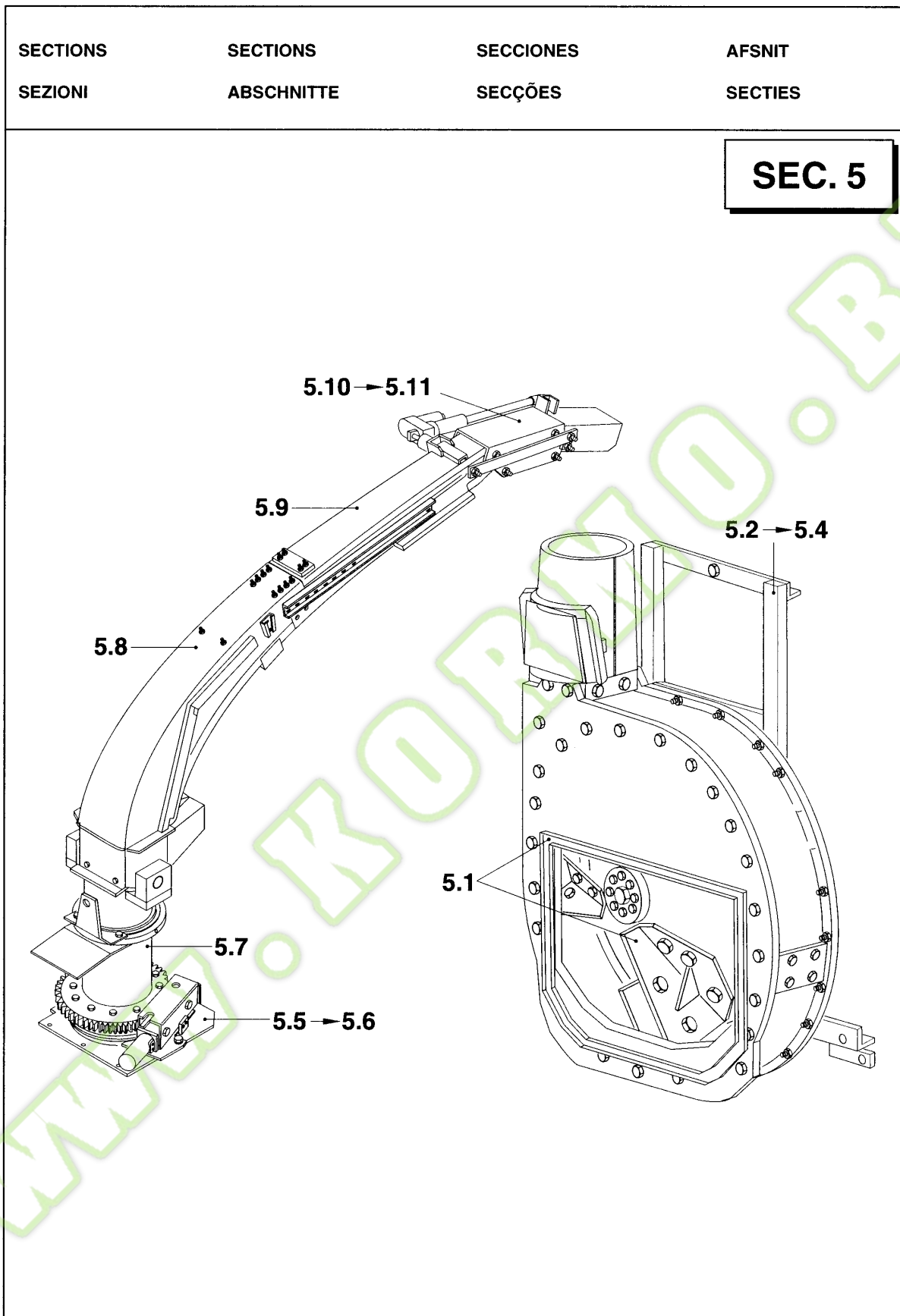
## 04.62(01) CROP PRO PLUS TM, FRAME AND GUARDS - D186

Ref	Part Number	Qty	Description
1	84989054	1	FRAME,
2	84432718	1	ROD,
3	338949	2	SCREW, {PP:80338949} Short NK, M10 x 25, CI8.8, Full Thd,
4	86512444	2	SCREW, Short NK, M8 x 40, CI8.8, Full Thd, M8x40
5	80120138	AR	M8x30
6	322358	AR	WASHER, LOCK, {PP:80322358} Belleville, M8, 8MM
7	84432675	2	SHIM,
8	89706690	AR	NUT, CL 8, M8 x 1.25 x 13.0
9	84432715	1	ROD,
10	120068	AR	SCREW, {PP:80120068} Hex, M10 x 40, 8.8, Full Thd, M10x40
11	140045	AR	WASHER, LOCK, {PP:80140045} Belleville, M10, 10MM
12	100016	AR	NUT, {PP:80100016} M10, CI 8, M10
13	84073236	1	PLATE, COVER,
14	80120104	AR	SCREW, M8x20
15	84073473	1	PLATE, COVER,
16	84073467	1	PLATE, COVER,
17	84073441	1	PLATE, COVER,
18	84073427	1	PLATE, COVER,
19	84073227	1	PLATE, COVER,
20	84001328	1	PLATE, SKID,
21	84001329	1	PLATE, SKID,
22	412650	8	WASHER, LOCK, {PP:80412650} Belleville, M8,



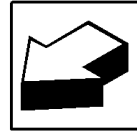
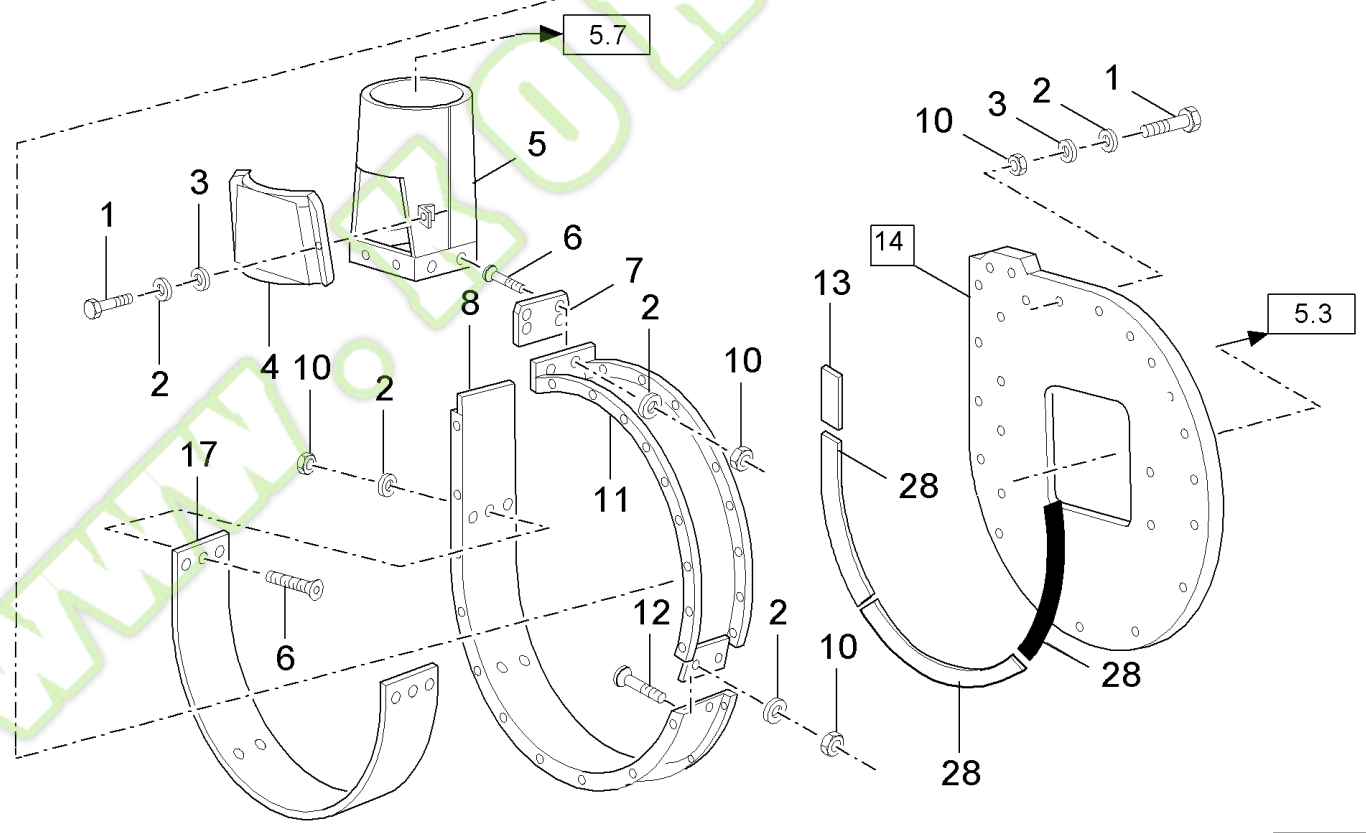
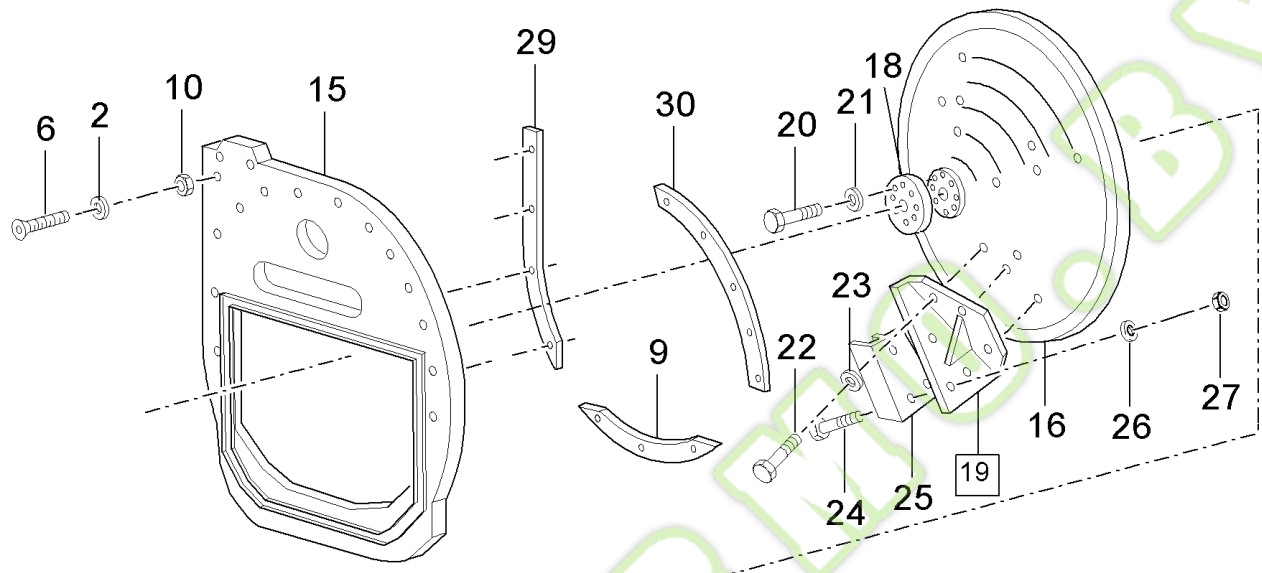
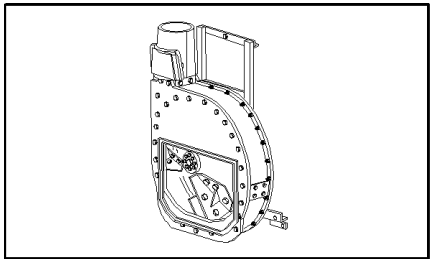
Ref	Part Number	Qty	Description
1	84434498	1	SUPPORT,
2	100038	2	NUT, LOCK, {PP:80100038} M12 x 1.75, Cl 8, M12
3	378245	AR	WASHER, {PP:80378245} 12MM
4	370539	2	PIN, SPLIT (COTTER), {PP:80370539}
5	89706685	2	NUT, M12
6	140046	AR	WASHER, LOCK, {PP:80140046} Belleville, M12, 12MM
7	84334020	1	PLATE,
8	9706687	AR	SCREW, {PP:89706687} Hex, M12 x 30, 8.8, M12x30
9	84045688	2	PIN,
10	80300809	2	SCREW, M12x65
11	84018348	2	PIN, CLEVIS,
12	84435048	1	CANVAS,
13	84435108	1	PLATE, FIXING,
14	80120104	4	SCREW, M8x20
15	322358	4	WASHER, LOCK, {PP:80322358} Belleville, M8, 8MM





Ref	Part Number	Qty	Description
<p>WWW.KORMO.BY</p>			

05.01(01) BLOWER

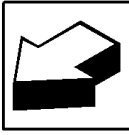
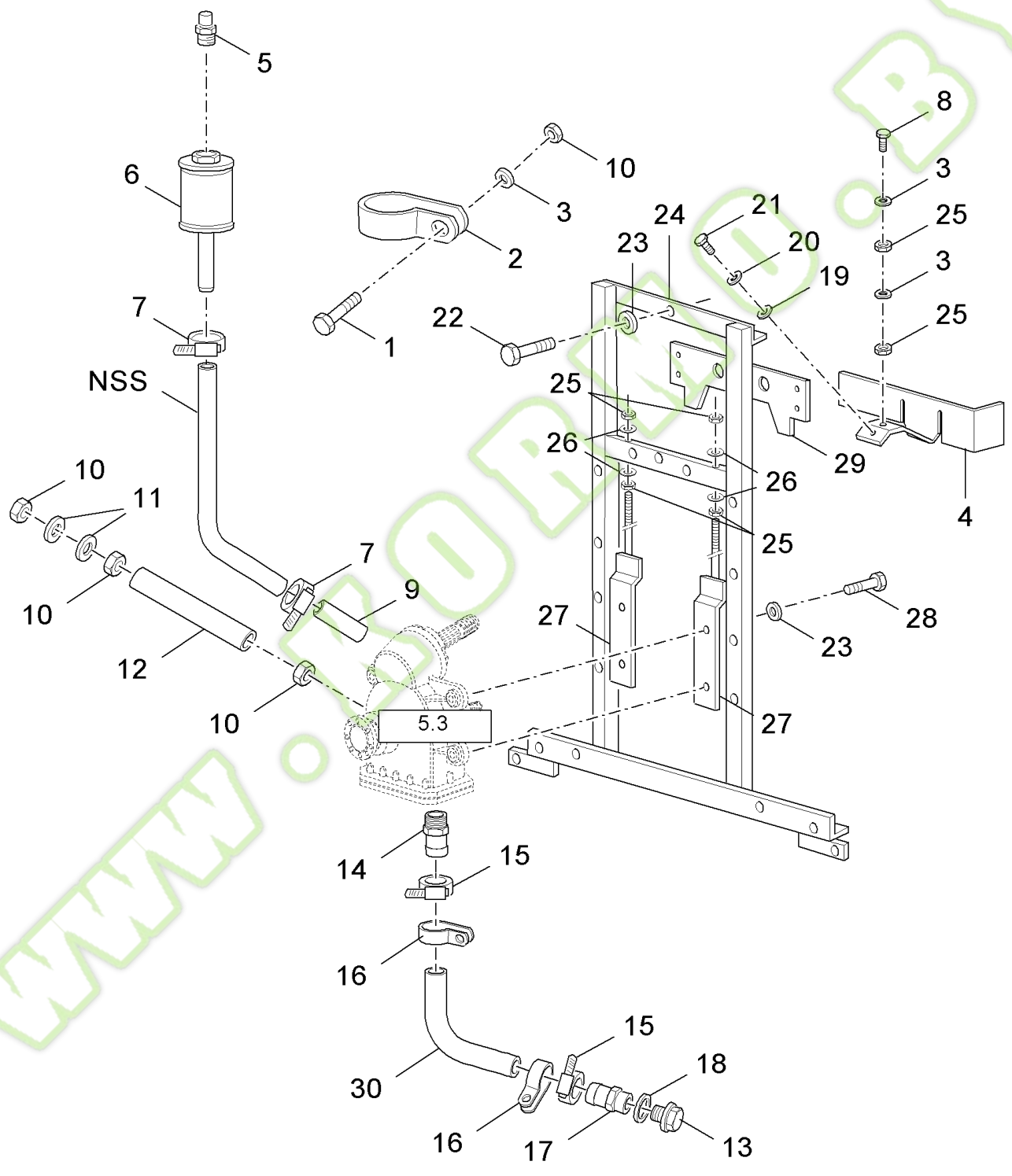
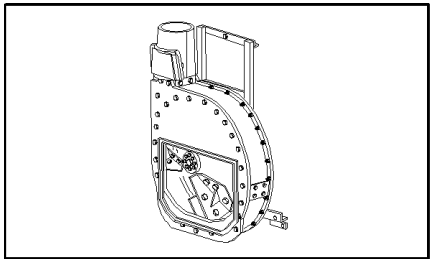


## FX48 SELF-PROPELLED FORAGE HARVESTER (9/98- )

## 05.01(01) BLOWER

Ref	Part Number	Qty	Description
1	43128	51	SCREW, {PP:80043128} Hex, M8 x 30, 8.8, Cap, HH, CL 8.8, M8 x 1.25 x 30
2	322358	AR	WASHER, LOCK, {PP:80322358} Belleville, M8, 8MM
3	378243	11	WASHER, {PP:80378243} 8MM
4	84037329	1	COVER,
5	84002448	1	GUIDE,
6	412495	AR	SCREW, {PP:80412495} Hex Soc Flat Hd, M8 x 20, 8.8, M8x20
7	84045350	1	PLATE, COVER,
8	84004410	1	BAND,
9	84015366	1	PLATE, COVER,
10	89706690	AR	NUT, CL 8, M8 x 1.25 x 13.0
11	84004583	1	BAND,
12	300498	4	SCREW, {PP:80300498} Hex Soc Flat Hd, M8 x 25, 10.9, M8x25, BSN C253
12	84814921	4	SCREW, Hex Soc Flat Hd, M8 x 25, 10.9, M8x25, FLAT HEAD, ASN D254
13	84039221	1	PLATE, , WELDED PARTS
14	84015418	1	PLATE, (13,31)
15	89623030	1	SHEET, FRONT,
16	84017260	1	DISC,
17	84023856	1	WEAR STRIP,
18	84021023	1	PLATE, COVER,
19	84004619	2	BLADE, TILLAGE, (Set of 2) (24 to 27), SEE OPERATOR'S MANUAL, PARAGRAPH 5.7.1 FOR ASSEMBLY
20	80379753	8	SCREW, M12x35
21	140046	8	WASHER, LOCK, {PP:80140046} Belleville, M12, 12MM
22	9706687	16	SCREW, {PP:89706687} Hex, M12 x 30, 8.8, M12x30, WELDED PARTS
23	394630	16	WASHER, {PP:80394630} 12MM
24	84037444	12	BOLT, M10x30
25	84004820	4	WEAR STRIP, , SEE OPERATOR'S MANUAL, PARAGRAPH 5.7.1 FOR ASSEMBLY, BSN C173
25	84078162	4	WEAR STRIP, , SEE OPERATOR'S MANUAL, PARAGRAPH 5.7.1 FOR ASSEMBLY, ASN D174
26	362810	6	WASHER, {PP:80362810}
27	86500689	6	NUT, M10, CI 10, M10
28	84015417	3	PLATE, , WELDED PARTS
29	84041029	1	PLATE,
30	84039239	1	PLATE,

05.02(01) BLOWER

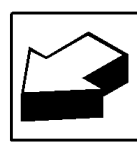
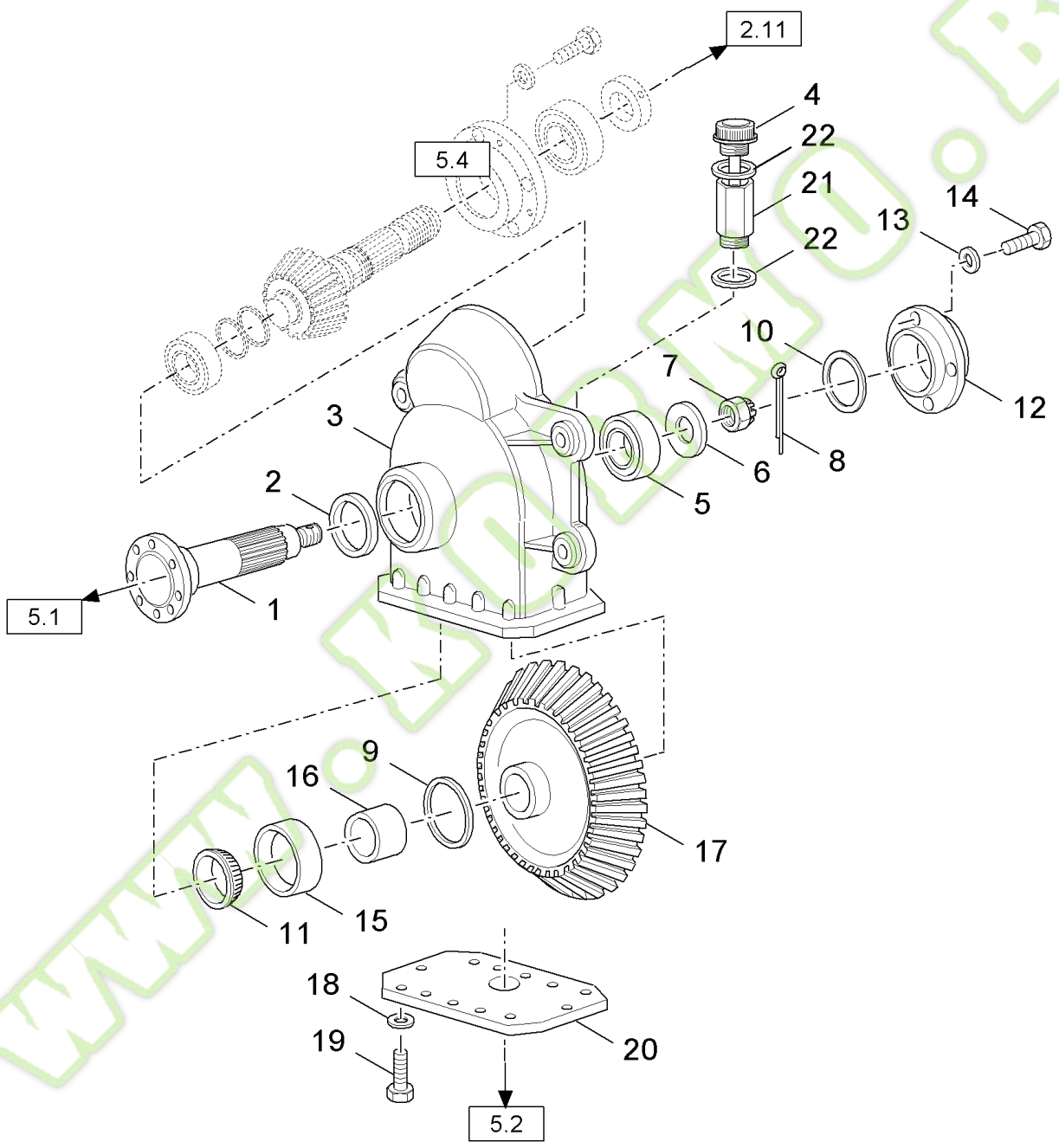
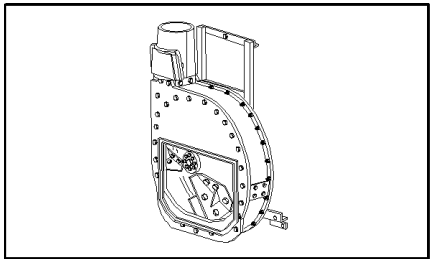


## FX48 SELF-PROPELLED FORAGE HARVESTER (9/98- )

## 05.02(01) BLOWER

Ref	Part Number	Qty	Description
1	9706687	1	SCREW, {PP:89706687} Hex, M12 x 30, 8.8, M12x30
2	9837593	1	CLAMP, {PP:89837593}
3	140046	5	WASHER, LOCK, {PP:80140046} Belleville, M12, 12MM
4	84031943	1	PLATE, LH
4	84031944	1	PLATE, RH
5	84068655	1	BREATHER,
6	80456040	1	RESERVOIR, BRAKE FLUID,
7	80150064	2	CLAMP,
8	120122	4	SCREW, {PP:80120122} Hex, M12 x 50, 8.8, Full Thd, M12x50
9	84032257	1	TUBE,
10	337475	7	NUT, {PP:80337475} M12, CI 10, M12
11	378245	4	WASHER, {PP:80378245} 12MM
12	84017315	2	ROD, THREADED,
13	150060	1	PLUG, {PP:80150060}
14	80449160	1	CONNECTOR, HYD.,
15	326082	2	CLAMP, {PP:80326082}
16	619284	2	CLAMP, {PP:80619284}
17	80326079	1	CONNECTOR, HYD.,
18	722441	1	GASKET,
19	362776	4	WASHER, {PP:80362776}
20	322357	4	WASHER, LOCK, {PP:80322357} Belleville, M6, Belleville, M6
21	80120099	4	SCREW, Hex, M6 x 16, 8.8, M6x16
22	120126	1	SCREW, {PP:80120126} Hex, M16 x 30, 8.8, Full Thd, Hex, M16 x 30, 8.8, Full Thd
23	140048	1	WASHER, LOCK, {PP:80140048} Belleville, M16, 16MM
24	89802958	1	SUPPORT,
25	337475	8	NUT, {PP:80337475} M12, CI 10, M12
26	378245	4	WASHER, {PP:80378245} 12MM
27	84004859	2	TIE-ROD, THREADED,
28	84000007	4	SCREW, Hex, M16 x 1.5 x 50, 8.8, Full Thd, M16x1.5x50
29	84031936	1	PLATE,
30	419447	1	HOSE, {PP:80419447} L=1100MM

05.03(01) BLOWER, GEARBOX

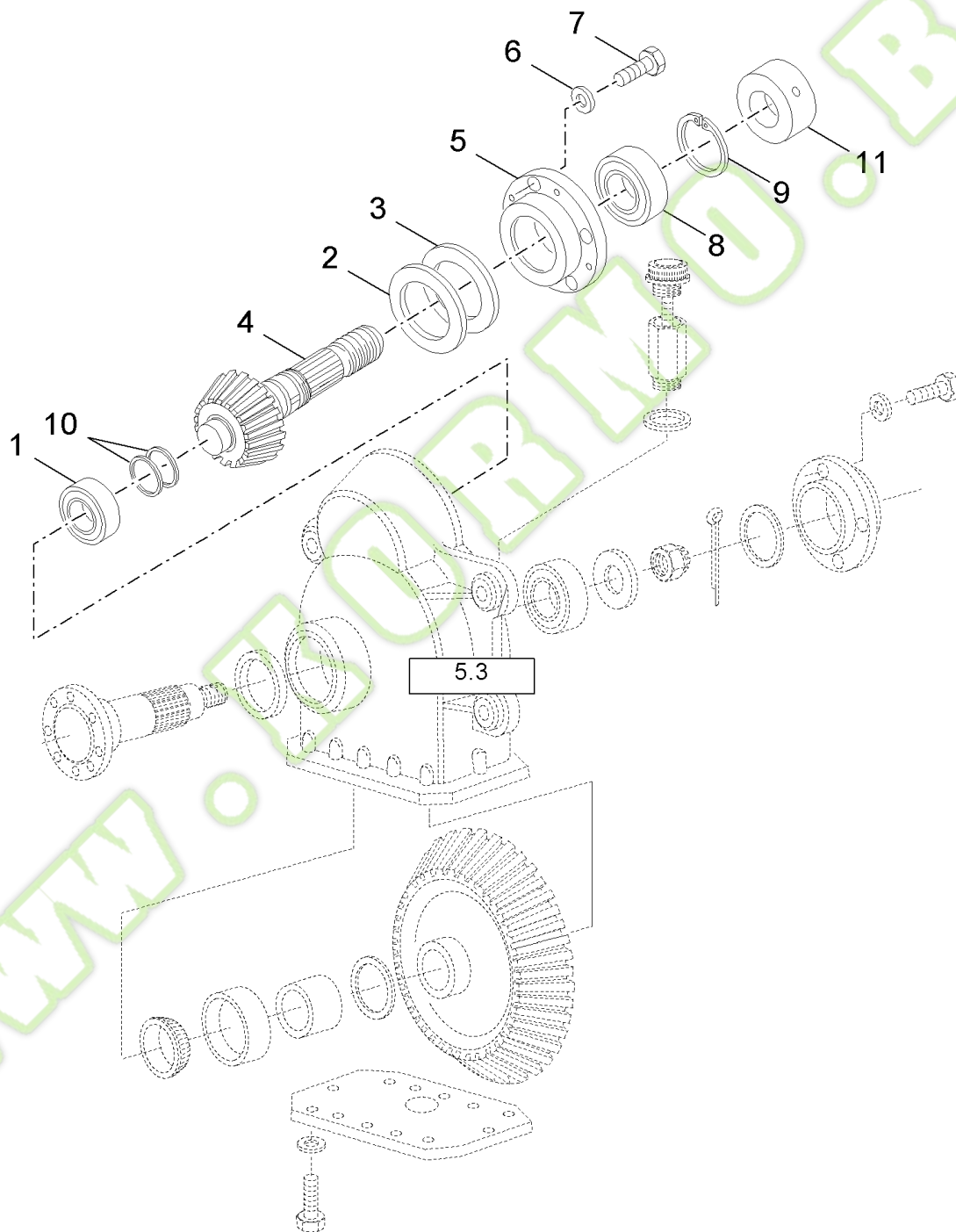
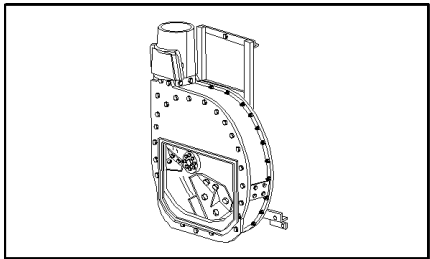


## FX48 SELF-PROPELLED FORAGE HARVESTER (9/98- )

## 05.03(01) BLOWER, GEARBOX

Ref	Part Number	Qty	Description
	84053905	1	GEARBOX, Incl.figs.5.3 and 5.4, FOR FX28-38-48 ONLY
	84058269	1	GEARBOX, Incl.figs.5.3 and 5.4, FOR FX58 ONLY
1	84053908	1	SHAFT,
2	381858	1	O-RING, {PP:80381858}
3	84053909	1	HOUSING,
4	84053916	1	INDICATOR, , SCREW TYPE
4	84807623	1	INDICATOR, , PUSH TYPE
5	853535	1	BEARING ASSY, {PP:80853535}
6	84053913	1	WASHER,
7	84053918	1	NUT, M25 x 1.5, CI 8, M20x1.5
8	84056633	1	PIN, SPLIT (COTTER),
9	84053923	AR	SHIM, SET
10	84053920	AR	SHIM, SET
11	381505	1	BEARING, CONE, {PP:80381505}
12	84053910	1	FLANGE,
13	140045	4	WASHER, LOCK, {PP:80140045} Belleville, M10, 10MM
14	43140	4	BOLT, {PP:80043140} Hex, M10 x 30, 8.8, M10x30
15	381510	1	CUP, {PP:80381510}
16	84053914	1	BUSHING,
17	84053907	1	GEAR, , FOR FX28-38-48 ONLY
17	84062044	1	GEAR, , FOR FX58 ONLY
18	322358	12	WASHER, LOCK, {PP:80322358} Belleville, M8, 8MM
20	84053915	1	COVER, , FOR FX28-38-48 ONLY
20	84062045	1	COVER, , FOR FX58 ONLY
21	84053912	1	CONNECTOR, HYD.,
22	220022	AR	GASKET, {PP:80220022}
19	16043224	12	SCREW, Hex, M8 x 16, 8.8, Full Thd, M8x16





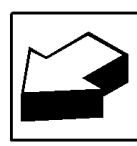
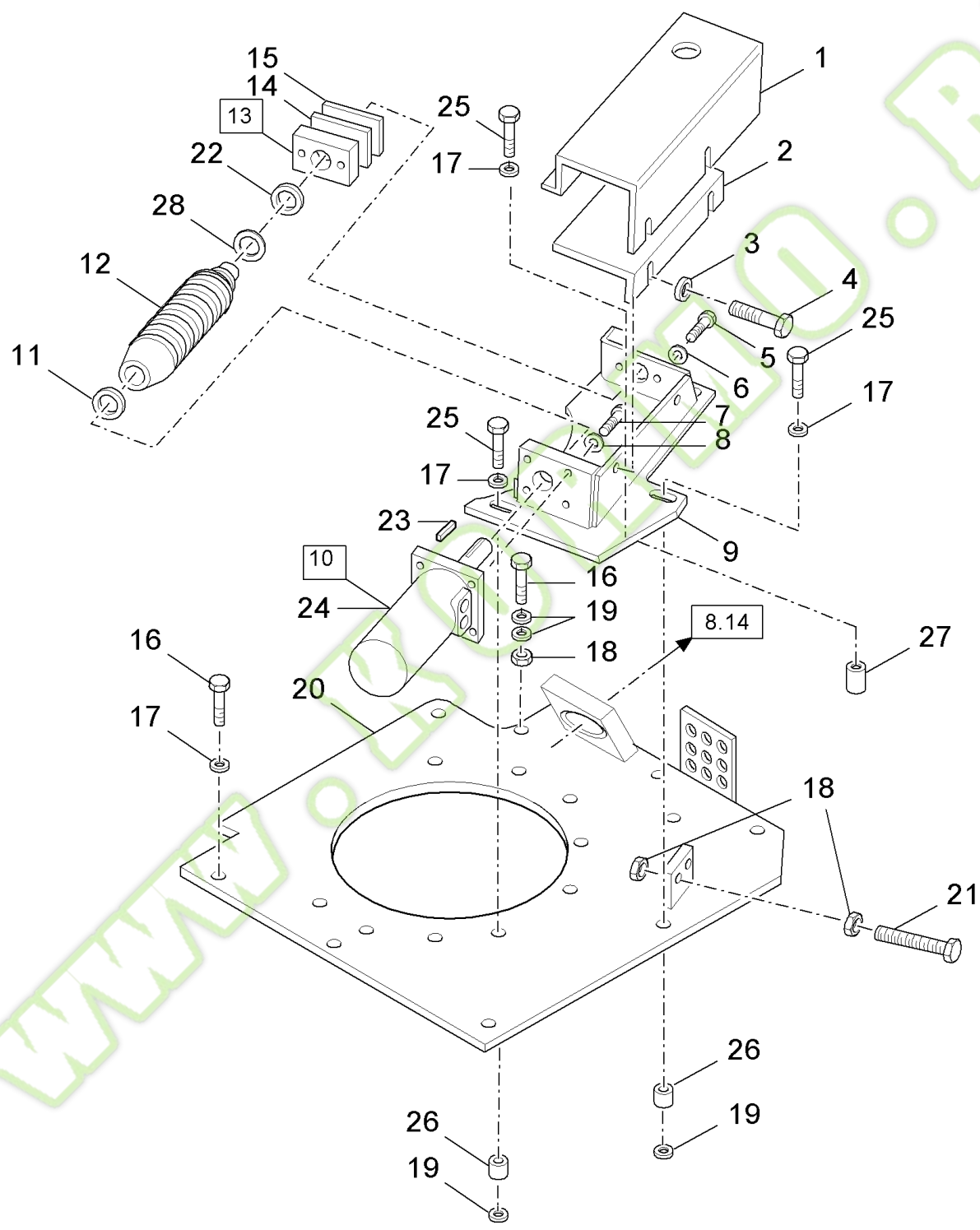
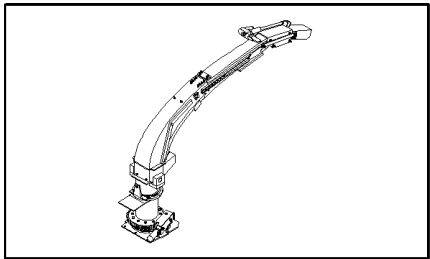
## FX48 SELF-PROPELLED FORAGE HARVESTER (9/98- )

## 05.04(01) BLOWER, GEARBOX

Ref	Part Number	Qty	Description
1	309085	1	BEARING ASSY, {PP:80309085} , FOR FX28-38-48 ONLY
1	80439692	1	BEARING ASSY, , FOR FX58 ONLY
2	84053921	AR	SHIM,
3	84053922	AR	SHIM,
4	84053906	1	SHAFT, , FOR FX28-38-48 ONLY
4	84062043	1	SHAFT, , FOR FX58 ONLY
5	84053911	1	COVER,
6	322358	4	WASHER, LOCK, {PP:80322358} Belleville, M8, 8MM
7	43127	4	BOLT, {PP:80043127} Hex, M8 x 25, 8.8, M8x25
8	84053917	1	BEARING ASSY,
9	370021	1	CIRCLIP, {PP:80370021} M85 x 3, Int,
10	84053919	1	SHIM, Set
11	84053924	1	RING, OIL SCRAPER,

WWW.KORMO.BY

05.05(01) SPOUT

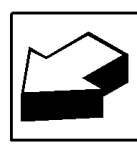
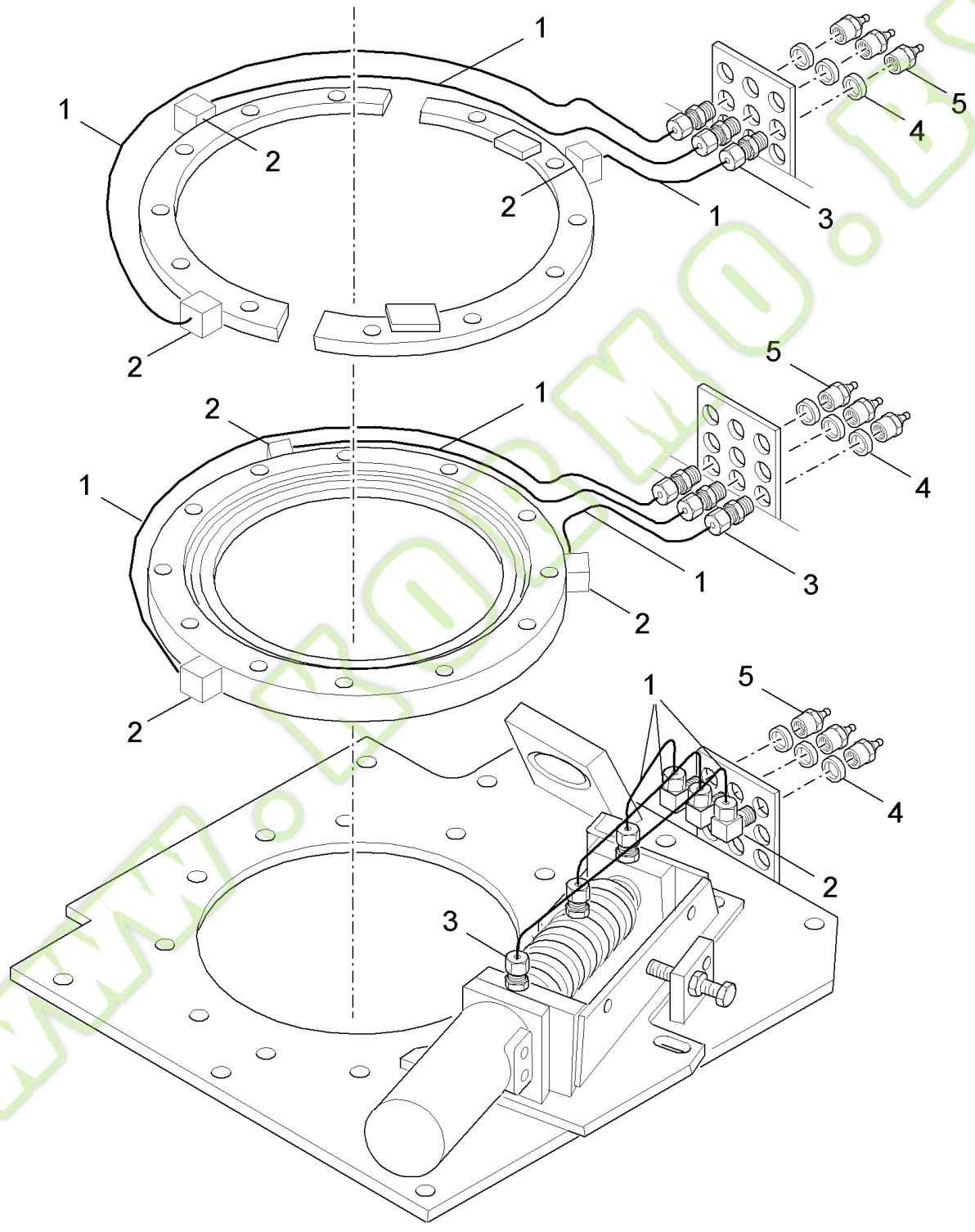
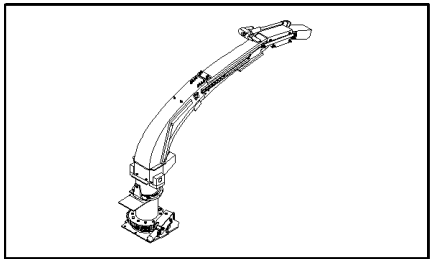


## FX48 SELF-PROPELLED FORAGE HARVESTER (9/98- )

## 05.05(01) SPOUT

Ref	Part Number	Qty	Description
1	84043721	1	COVER,
2	84017384	1	COVER,
3	322358	2	WASHER, LOCK, {PP:80322358} Belleville, M8, 8MM
4	80120104	2	SCREW, M8x20
5	43140	4	BOLT, {PP:80043140} Hex, M10 x 30, 8.8, M10x30
6	140045	4	WASHER, LOCK, {PP:80140045} Belleville, M10, 10MM
7	280165	4	SCREW, {PP:80280165} Hex, 3/8"-16 x 1 1/4", G8, Full Thd, 3/8"x11/4"
8	80680	4	WASHER, LOCK, {PP:80080680} 3/8", 3/8"
9	84045386	1	SUPPORT,
10	84007218	1	MOTOR, HYDRAULIC, (23,24)
11	36622	1	WASHER, {PP:80036622}
12	84007262	1	SCREW, WORM,
13	84017370	1	BLOCK, (22)
14	84022832	AR	PLATE, ADJUSTING,
15	84022831	AR	PLATE, ADJUSTING,
16	80337563	7	SCREW, M12x40
17	140046	12	WASHER, LOCK, {PP:80140046} Belleville, M12, 12MM
18	337475	10	NUT, {PP:80337475} M12, CI 10, M12
19	394630	11	WASHER, {PP:80394630} 12MM
20	84056065	1	SUPPORT,
21	309086	2	SCREW, {PP:80309086} Hex, M12 x 60, 8.8, Full Thd, M12x60
22	44776	1	BUSHING, {PP:80044776}
23	84056871	1	KEY,
24	84022557	1	KIT, SEALS,
25	86505259	4	SCREW, Hex, M12 x 70, 10.9, M12x70
26	84015131	3	BUSHING,
27	84042920	1	BUSHING,
28	442245	1	RING, {PP:80442245}

05.06(01) SPOUT, LUBRICATION

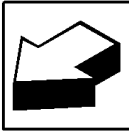
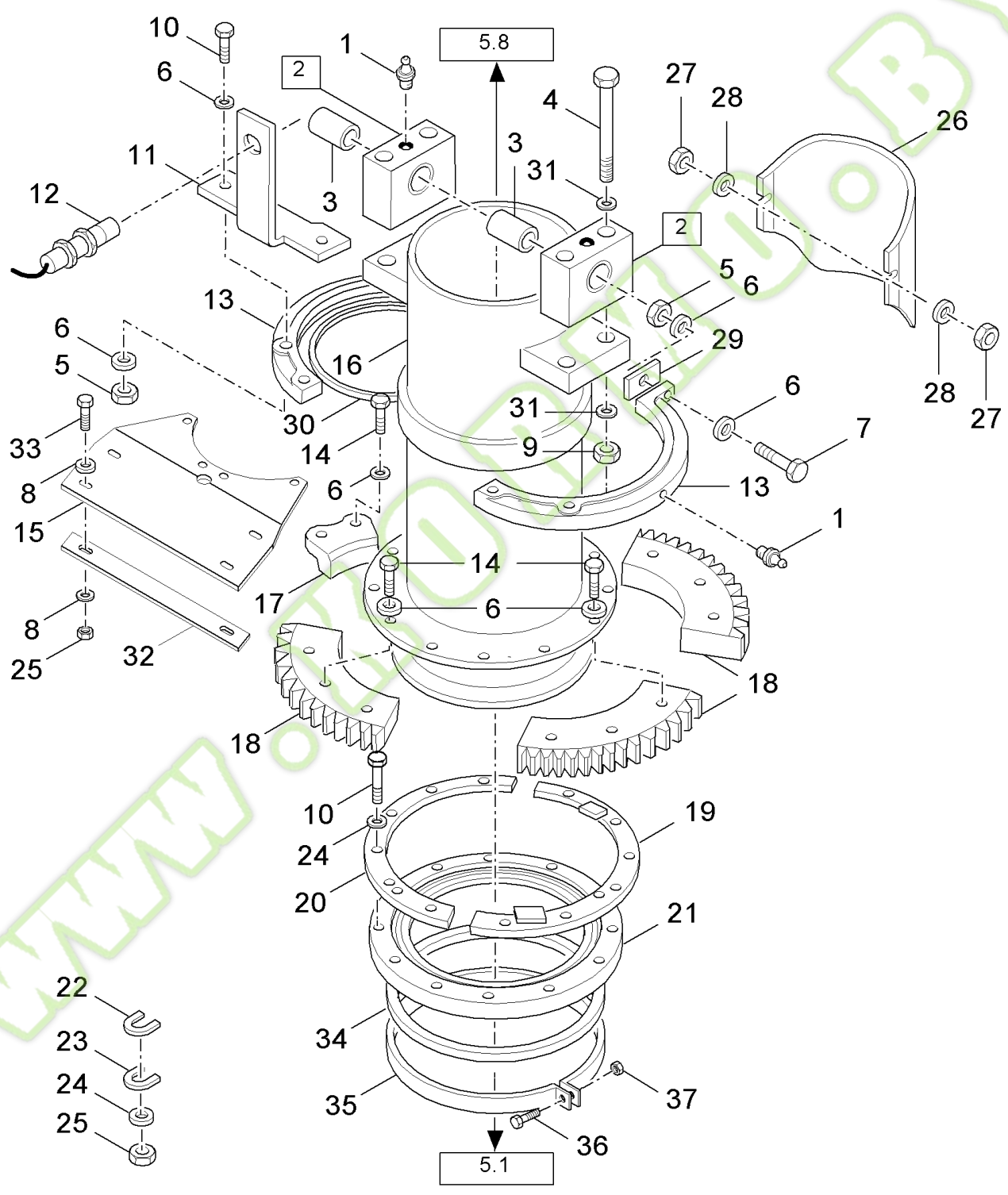
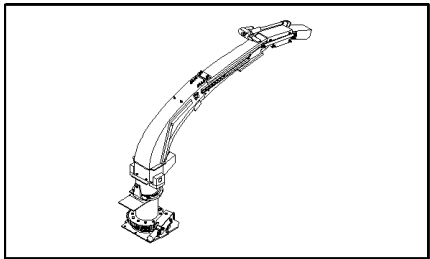


## 05.06(01) SPOUT, LUBRICATION

Ref	Part Number	Qty	Description
1	84032151	AR	TUBE, RIGID, 2.5M
2	48564	9	ELBOW, {PP:80048564}
3	11787	9	CONNECTOR, HYD., {PP:80011787}
4	140045	9	WASHER, LOCK, {PP:80140045} Belleville, M10, 10MM
5	84303	9	NIPPLE, LUBE, {PP:80084303} 1/8"-27 NPT x 1" lg, Fem,

WWW.KORMO.BY

05.07(01) SPOUT



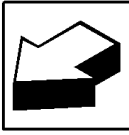
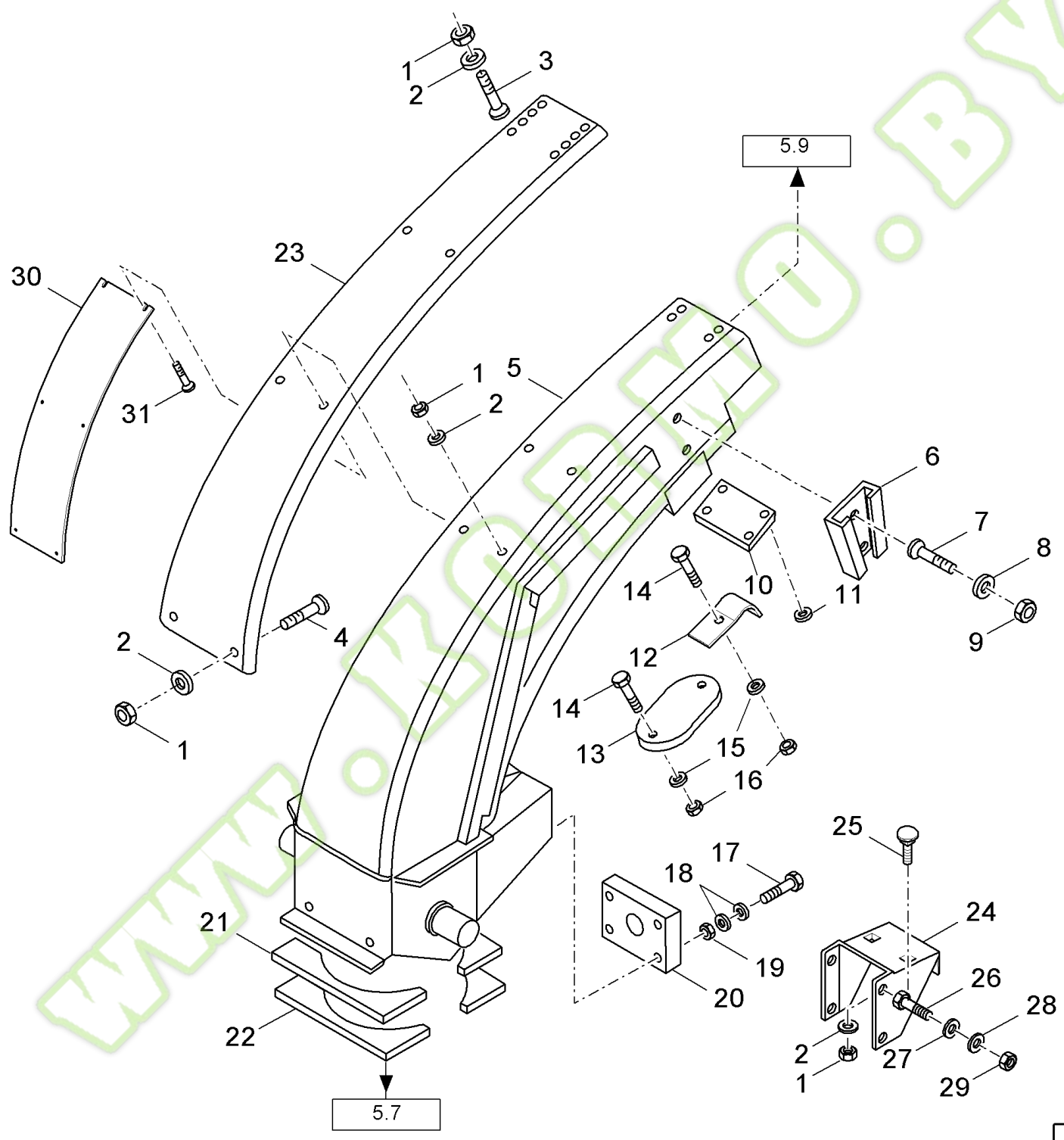
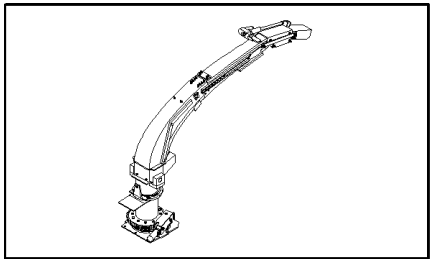
## FX48 SELF-PROPELLED FORAGE HARVESTER (9/98- )

## 05.07(01) SPOUT

Ref	Part Number	Qty	Description
1	323787	4	NIPPLE, LUBE, {PP:80323787}
2	84017450	2	SUPPORT, (3)
3	606351	2	BUSHING, {PP:80606351}
4	354360	4	SCREW, {PP:80354360} Hex, M16 x 130, 8.8, M16x130
5	337475	9	NUT, {PP:80337475} M12, CI 10, M12
6	140046	19	WASHER, LOCK, {PP:80140046} Belleville, M12, 12MM
7	120083	1	SCREW, {PP:80120083} Hex, M12 x 70, 8.8, M12x70
8	394630	8	WASHER, {PP:80394630} 12MM
9	100039	4	NUT, {PP:80100039} M16 x 2, CI 8, M16
10	120083	16	SCREW, {PP:80120083} Hex, M12 x 70, 8.8, M12x70
11	84041894	1	BRACKET,
12	84056994	1	SENSOR,
13	84042925	2	HALF-RING,
14	9706687	14	SCREW, {PP:89706687} Hex, M12 x 30, 8.8, M12x30, WELDED PARTS
15	84043751	1	BRACKET,
16	84038387	1	SUPPORT,
17	84004215	1	STOP,
18	84004214	3	GEAR,
19	84001111	1	RING,
20	9822805	1	PLATE, RETAINING, {PP:89822805}
21	84017186	1	RING,
22	9840320	AR	SHIM, {PP:89840320} THK.:0.25MM
23	9622227	AR	SHIM, {PP:89622227} THK.:0.5MM
24	378245	24	WASHER, {PP:80378245} 12MM
25	100038	16	NUT, LOCK, {PP:80100038} M12 x 1.75, CI 8, M12
26	84019125	1	COVER,
27	100015	2	NUT, {PP:80100015} M8, CI 8, M8
28	322358	2	WASHER, LOCK, {PP:80322358} Belleville, M8, 8MM
29	84042924	2	PLATE, ADJUSTING,
30	84042923	1	O-RING,
31	140048	4	WASHER, LOCK, {PP:80140048} Belleville, M16, 16MM
32	84043756	AR	PLATE, ADJUSTING,
33	80337563	4	SCREW, M12x40
34	84052510	1	RING,
35	84052507	1	RING,
36	80120104	1	SCREW, M8x20
37	100067	1	NUT, {PP:80100067} M8 x 1.25", CI 8, M8



05.08(01) SPOUT

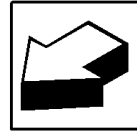
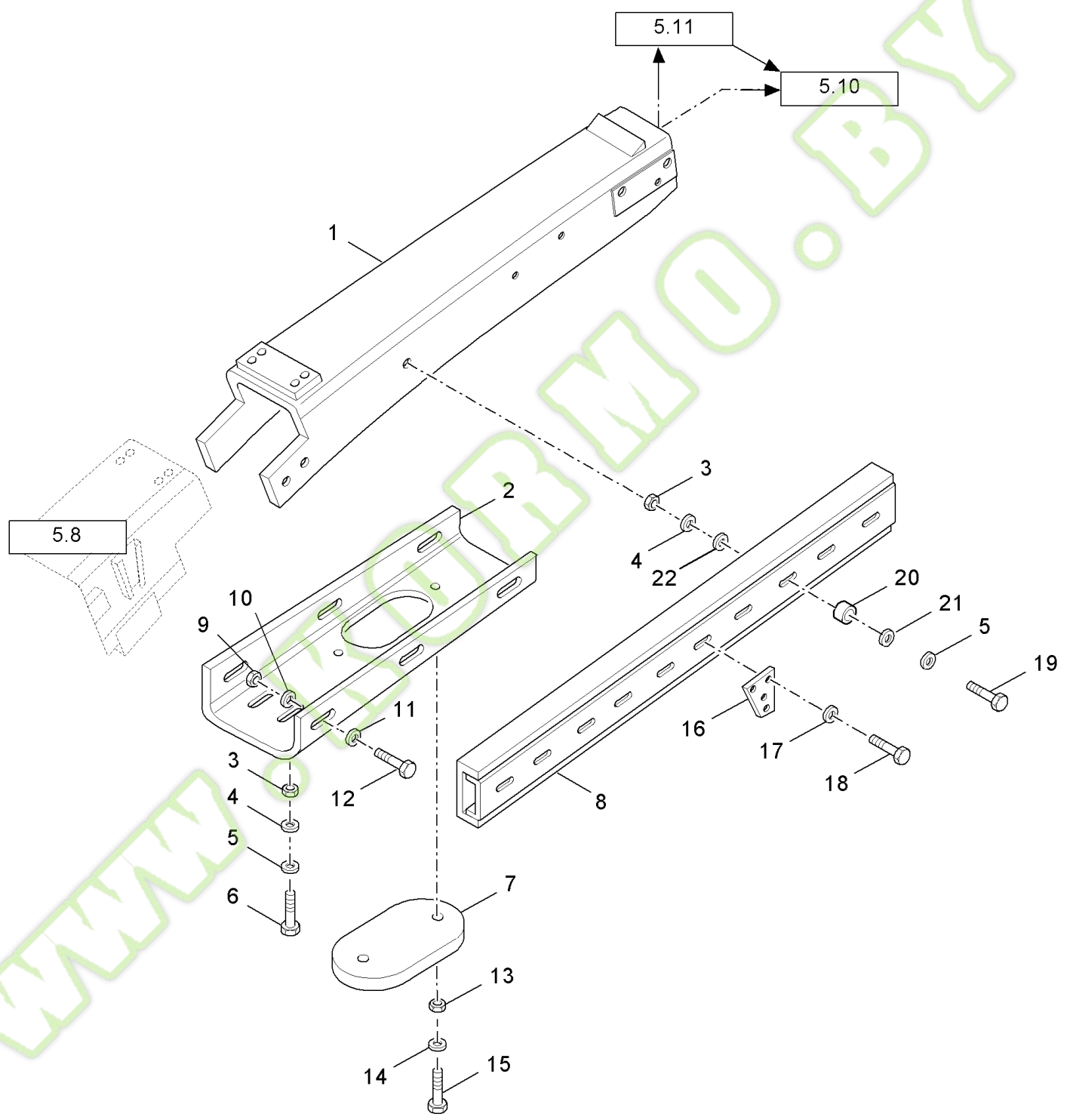
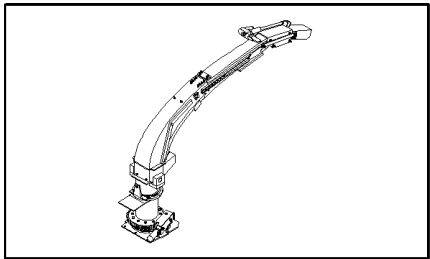


## FX48 SELF-PROPELLED FORAGE HARVESTER (9/98- )

## 05.08(01) SPOUT

Ref	Part Number	Qty	Description
1	100016	AR	NUT, {PP:80100016} M10, CI 8, M10
2	140045	AR	WASHER, LOCK, {PP:80140045} Belleville, M10, 10MM
3	379528	10	SCREW, {PP:80379528} Hex Flat Hd, M10 x 25, 4.8, M10x25
4	120041	2	BOLT, {PP:80120041} Short NK, M10 x 20, CI8.8, Full Thd, M10x20
5	84017677	1	SPOUT, DISCHARGE, , BSN C173
5	84400038	1	SPOUT, DISCHARGE, , ASN D174
6	9837606	2	CLIP, {PP:89837606}
8	322358	4	WASHER, LOCK, {PP:80322358} Belleville, M8, 8MM
9	100015	4	NUT, {PP:80100015} M8, CI 8, M8
10	84012923	1	INSULATOR BLOCK,
11	140182	4	WASHER, {PP:80140182} M5 x 18 x 2, 5MM
12	84000008	3	CLAMP,
13	84031783	2	DOOR,
14	120032	4	BOLT, {PP:80120032} Short NK, M6 x 20, CI8.8, Full Thd, M6x20
15	322357	4	WASHER, LOCK, {PP:80322357} Belleville, M6, Belleville, M6
16	9706755	4	NUT, {PP:89706755} M6, CI 8, M6
17	80337563	4	SCREW, M12x40
18	140046	4	WASHER, LOCK, {PP:80140046} Belleville, M12, 12MM
19	337475	4	NUT, {PP:80337475} M12, CI 10, M12
20	84019181	1	SUPPORT,
21	89839251	2	CANVAS,
22	89839250	2	PLATE,
23	683948	1	PLATE, SKID, {PP:80683948}
24	84038254	1	SUPPORT,
25	190029	2	INSULATOR BLOCK, {PP:80190029}
26	120089	4	BOLT, {PP:80120089} Hex, M16 x 40, 8.8, Hex, M16 x 40, 8.8
27	394631	4	WASHER, {PP:80394631} 16MM
28	140048	4	WASHER, LOCK, {PP:80140048} Belleville, M16, 16MM
29	100039	4	NUT, {PP:80100039} M16 x 2, CI 8, M16
30	84072132	1	PLATE, SKID,
31	62338	4	BOLT, {PP:80062338} , EXTRA WEARING PLATE
7	16043224	4	SCREW, Hex, M8 x 16, 8.8, Full Thd, M8x16

05.09(01) SPOUT

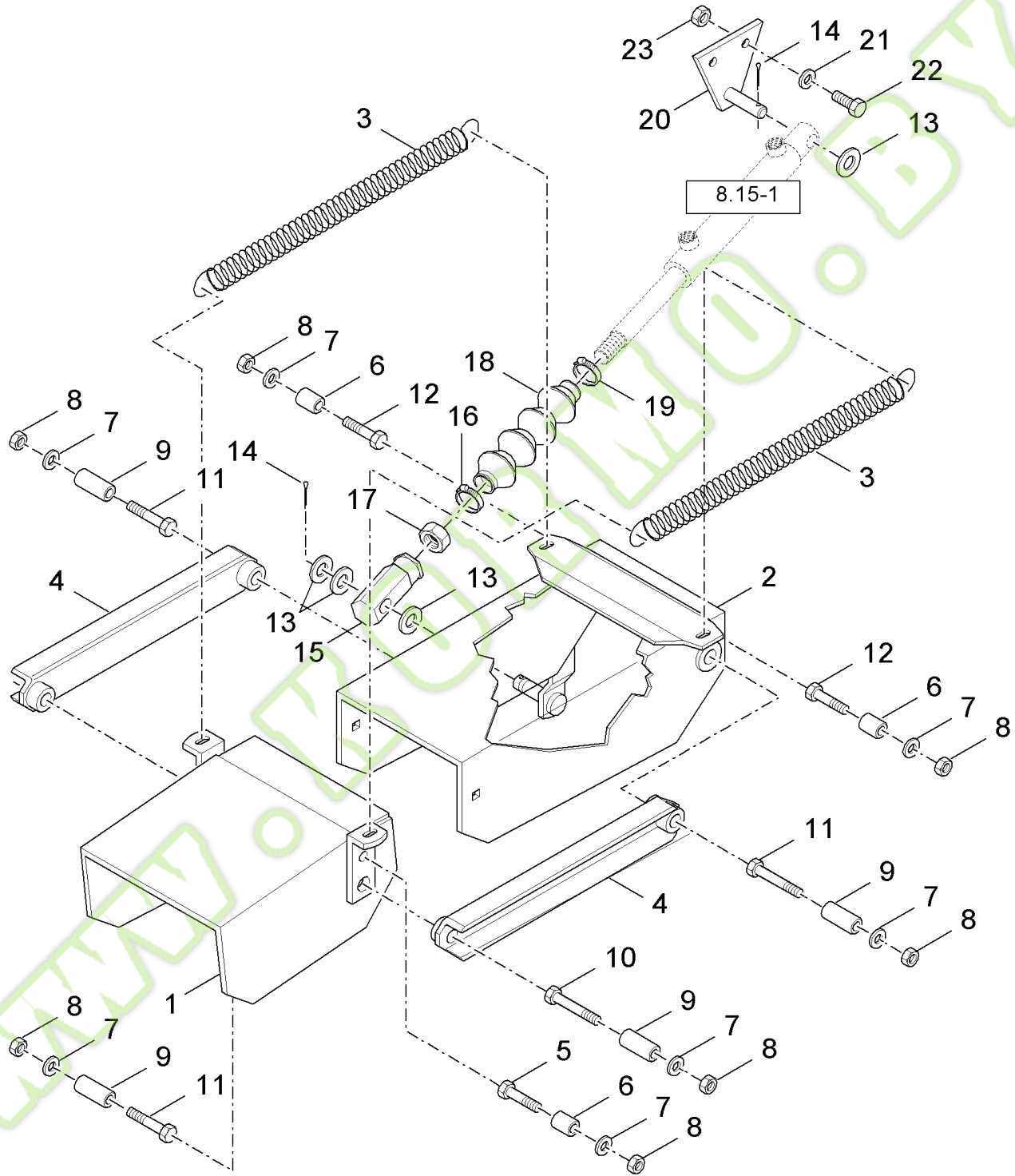
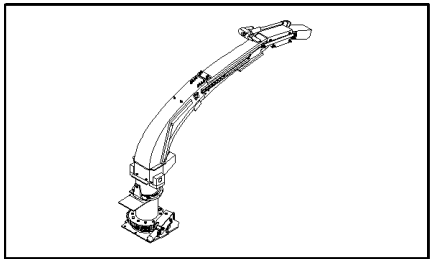


## FX48 SELF-PROPELLED FORAGE HARVESTER (9/98- )

## 05.09(01) SPOUT

Ref	Part Number	Qty	Description
1	84038105	1	SPOUT, DISCHARGE, , BSN C173
1	84400039	1	SPOUT, DISCHARGE, , ASN D174
1	84043355	1	SPOUT, DISCHARGE, , FOR NA ONLY, SHORT SPOUT, BSN C173
1	84400040	1	SPOUT, DISCHARGE, , FOR NA ONLY, SHORT SPOUT, ASN D174
2	683951	1	SHIELD, {PP:80683951}
3	100016	24	NUT, {PP:80100016} M10, CI 8, M10
4	140045	24	WASHER, LOCK, {PP:80140045} Belleville, M10, 10MM
5	140018	14	WASHER, {PP:80140018} M12 x 24 x 2.5, 12MM
6	120041	AR	BOLT, {PP:80120041} Short NK, M10 x 20, CI8.8, Full Thd, M10x20
7	84031783	1	DOOR,
8	84038155	2	PROFILE,
9	100015	2	NUT, {PP:80100015} M8, CI 8, M8
10	322358	6	WASHER, LOCK, {PP:80322358} Belleville, M8, 8MM
11	378243	2	WASHER, {PP:80378243} 8MM
12	120037	2	BOLT, {PP:80120037} Short NK, M8 x 20, CI8.8, Full Thd, M8x20
13	9706755	2	NUT, {PP:89706755} M6, CI 8, M6
14	322357	2	WASHER, LOCK, {PP:80322357} Belleville, M6, Belleville, M6
15	120032	2	BOLT, {PP:80120032} Short NK, M6 x 20, CI8.8, Full Thd, M6x20
16	84043902	2	PLATE, COVER,
17	140046	4	WASHER, LOCK, {PP:80140046} Belleville, M12, 12MM
18	388113	4	SCREW, {PP:80388113} Hex, M12 x 16, 8.8, Full Thd, M12x16
19	412183	8	BOLT, {PP:80412183} Short NK, M10 x 35, CI8.8, Full Thd, M10x35
20	9514390	8	RING, {PP:89514390} , ASN D095
21	378244	8	WASHER, LOCK, {PP:80378244} 10MM
22	140042	8	WASHER, LOCK, {PP:80140042} M10 x 34 x 3, 10MM

05.10(01) SPOUT

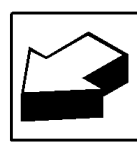
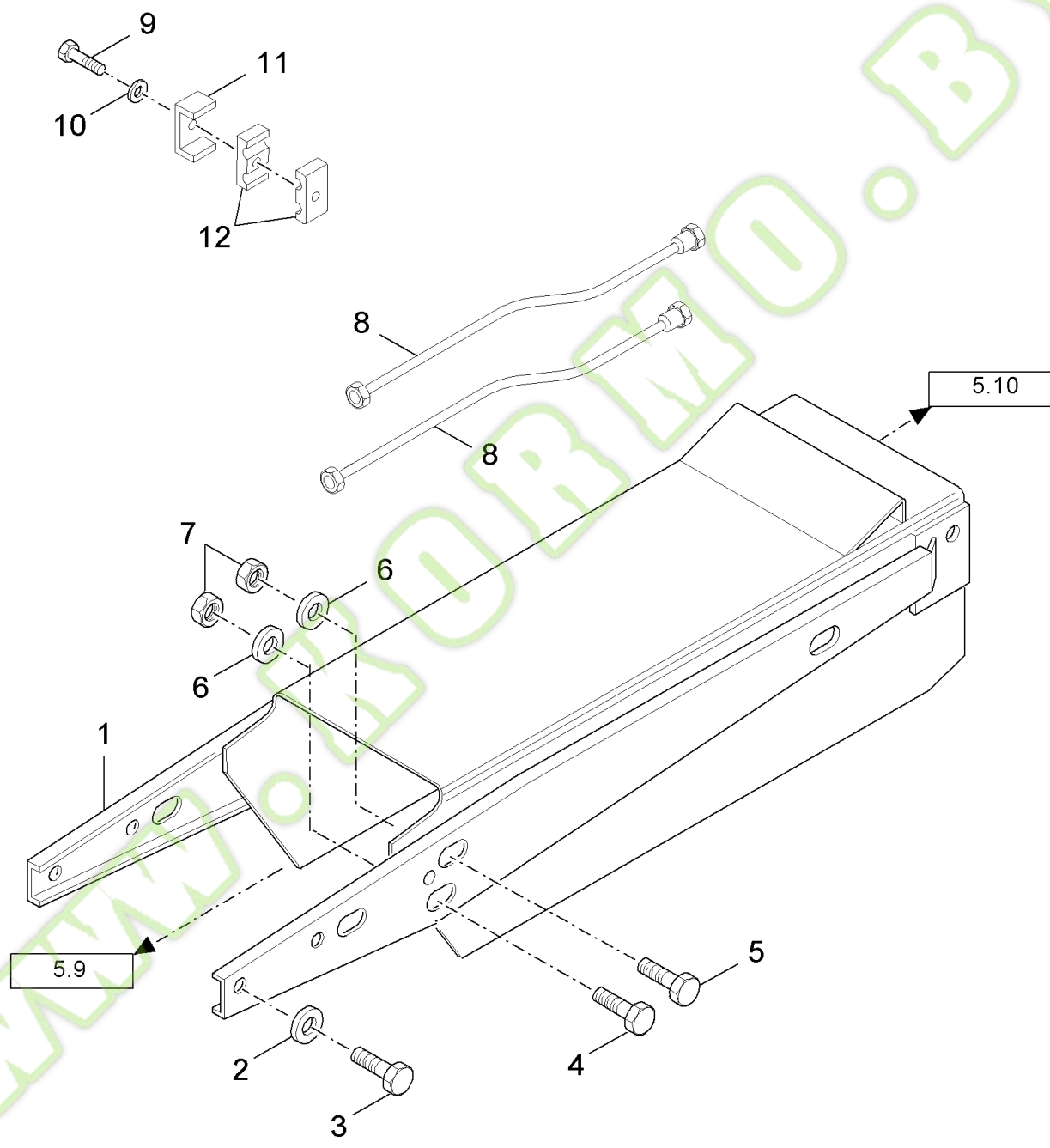
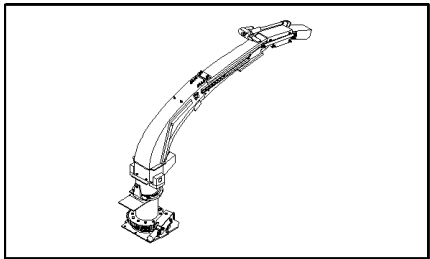


## FX48 SELF-PROPELLED FORAGE HARVESTER (9/98- )

## 05.10(01) SPOUT

Ref	Part Number	Qty	Description
1	84032125	1	DEFLECTOR, , FOR GRASS ONLY
1	84032127	1	DEFLECTOR, , FOR CORN ONLY
2	84032124	1	DEFLECTOR, , FOR GRASS ONLY
2	84032126	1	DEFLECTOR, , FOR CORN ONLY
3	86516632	2	SPRING,
4	84043464	2	BRACKET,
5	120245	2	SCREW, {PP:80120245} Short NK, M10 x 30, CI8.8, Full Thd, M10x30
6	84043454	4	BUSHING,
7	140045	8	WASHER, LOCK, {PP:80140045} Belleville, M10, 10MM
8	100016	8	NUT, {PP:80100016} M10, CI 8, M10
9	84043453	4	BUSHING,
10	120259	2	SCREW, {PP:80120259} Hex Soc Flat Hd, M10 x 40, 8.8, M10x40
11	374892	2	BOLT, {PP:80374892} Short NK, M10 x 40, CI8.8, Full Thd, M10x40
12	80320772	2	SCREW, M10x30
13	378245	3	WASHER, {PP:80378245} 12MM
14	130005	2	PIN, SPLIT (COTTER), {PP:80130005} M3.2 x 32, 3x32
15	84032120	1	CONNECTOR, HYD.,
16	95874S	1	CLAMP, {PP:83937270}
17	364164	1	NUT, {PP:80364164} Thin, M16 x 1.5, CI 04, M16x1.5
18	84021572	1	BELLOWS,
19	382527	1	CLAMP, {PP:80382527}
20	84032119	1	SUPPORT,
21	140046	2	WASHER, LOCK, {PP:80140046} Belleville, M12, 12MM
22	388113	2	SCREW, {PP:80388113} Hex, M12 x 16, 8.8, Full Thd, M12x16, BSN C163
22	120119	2	BOLT, {PP:80120119} Hex, M12 x 20, 8.8, Full Thd, M12x20, ASN D164
23	337475	2	NUT, {PP:80337475} M12, CI 10, M12

05.11(01) SPOUT EXTENSION



## 05.11(01) SPOUT EXTENSION

Ref	Part Number	Qty	Description
1	84043354	1	EXTENSION,
2	140046	4	WASHER, LOCK, {PP:80140046} Belleville, M12, 12MM
3	120119	4	BOLT, {PP:80120119} Hex, M12 x 20, 8.8, Full Thd, M12x20
4	120041	2	BOLT, {PP:80120041} Short NK, M10 x 20, CI8.8, Full Thd, M10x20
5	412671	2	SCREW, {PP:80412671} Hex Soc Flat Hd, M10 x 20, 8.8, M10x20
6	140045	4	WASHER, LOCK, {PP:80140045} Belleville, M10, 10MM
7	100016	4	NUT, {PP:80100016} M10, CI 8, M10
8	9831825	2	HOSE, {PP:89831825}
9	120056	2	SCREW, {PP:80120056} Hex, M6 x 50, 8.8, M6x50
10	322357	2	WASHER, LOCK, {PP:80322357} Belleville, M6, Belleville, M6
11	431941	2	SUPPORT, {PP:80431941}
12	430357	4	CLAMP, {PP:80430357}

WWW.KORMO.BY



SECTIONS

SECTIONS

SECCIONES

AFSNIT

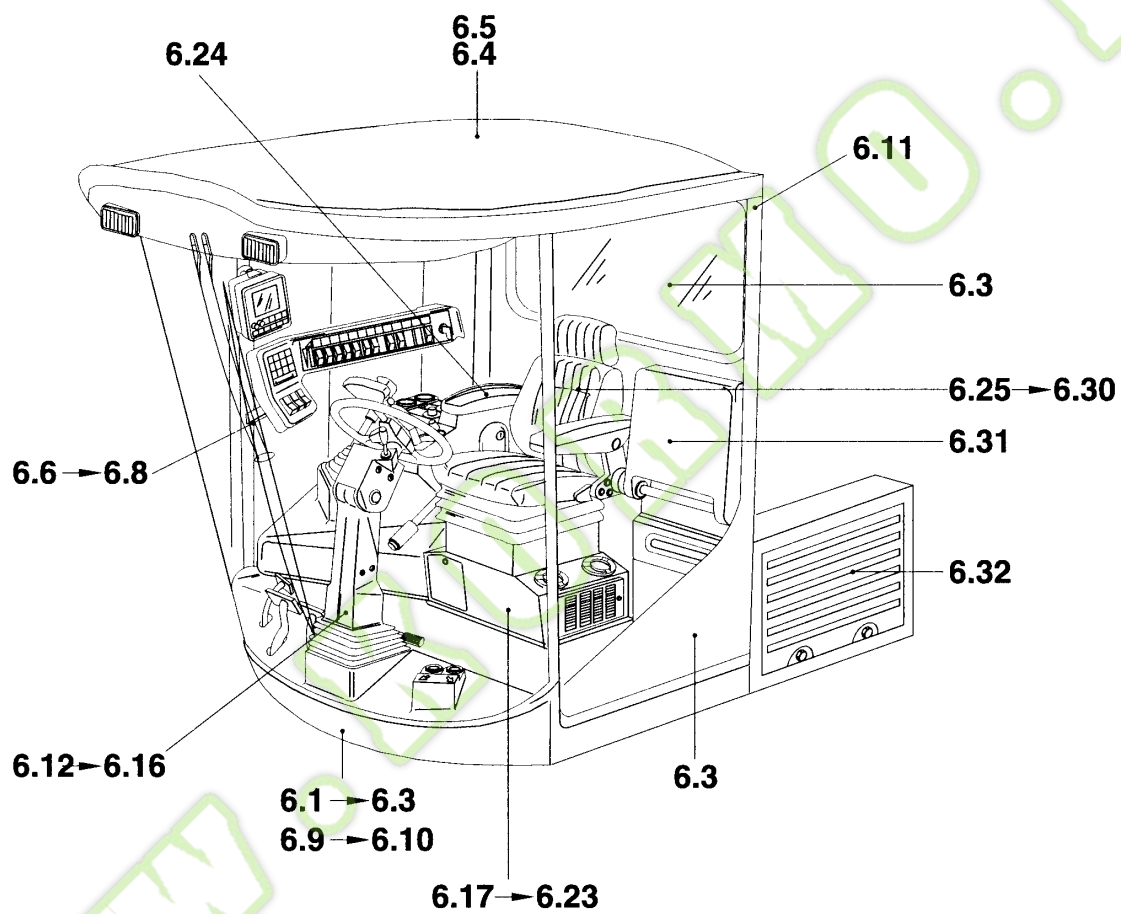
SEZIONI

ABSCHNITTE

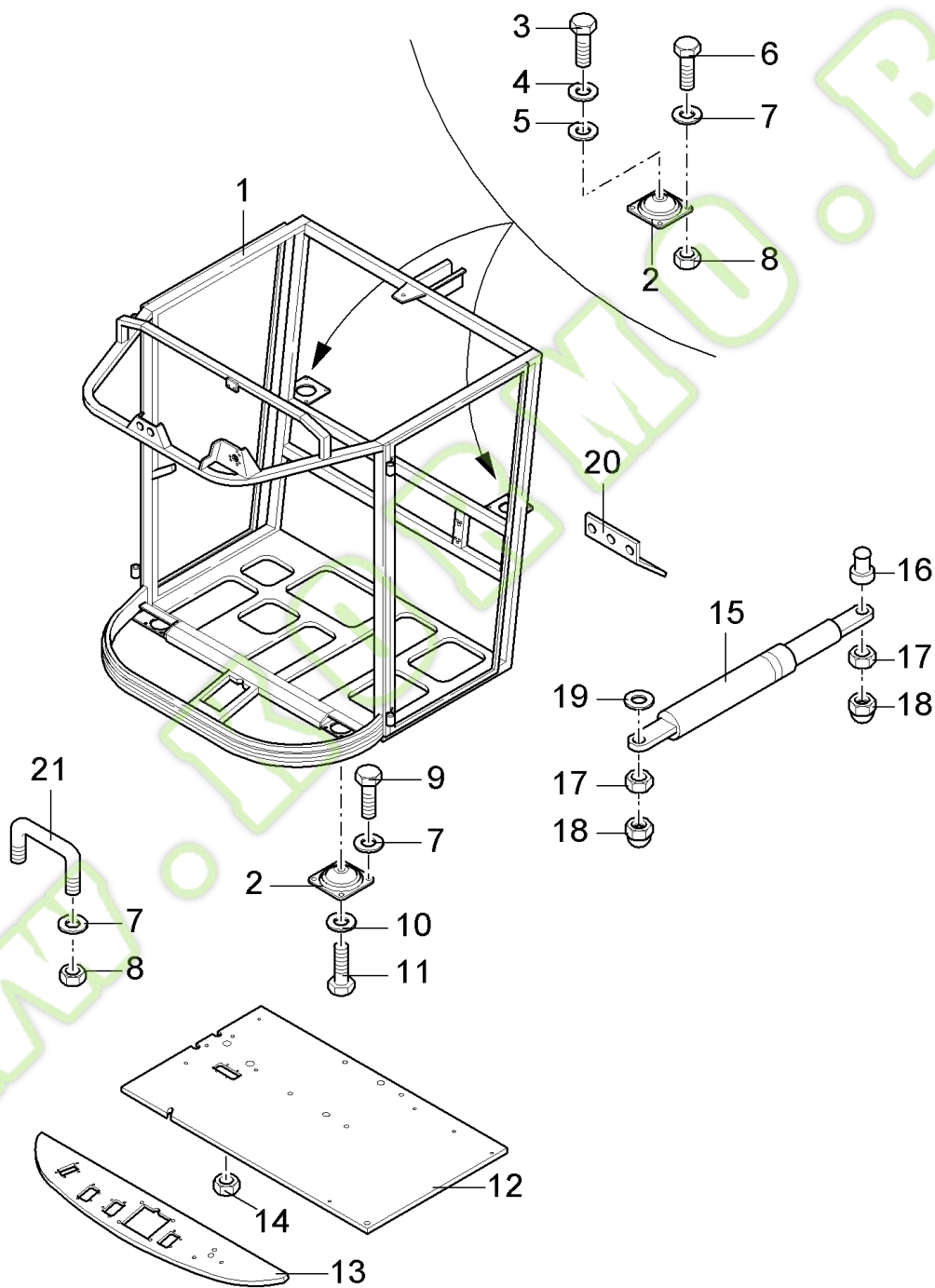
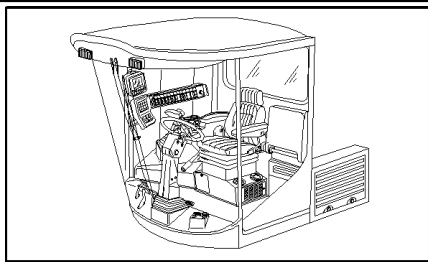
SECÇÕES

SECTIES

**SEC. 6**



Ref	Part Number	Qty	Description
<p>WWW.KORMO.BY</p>			

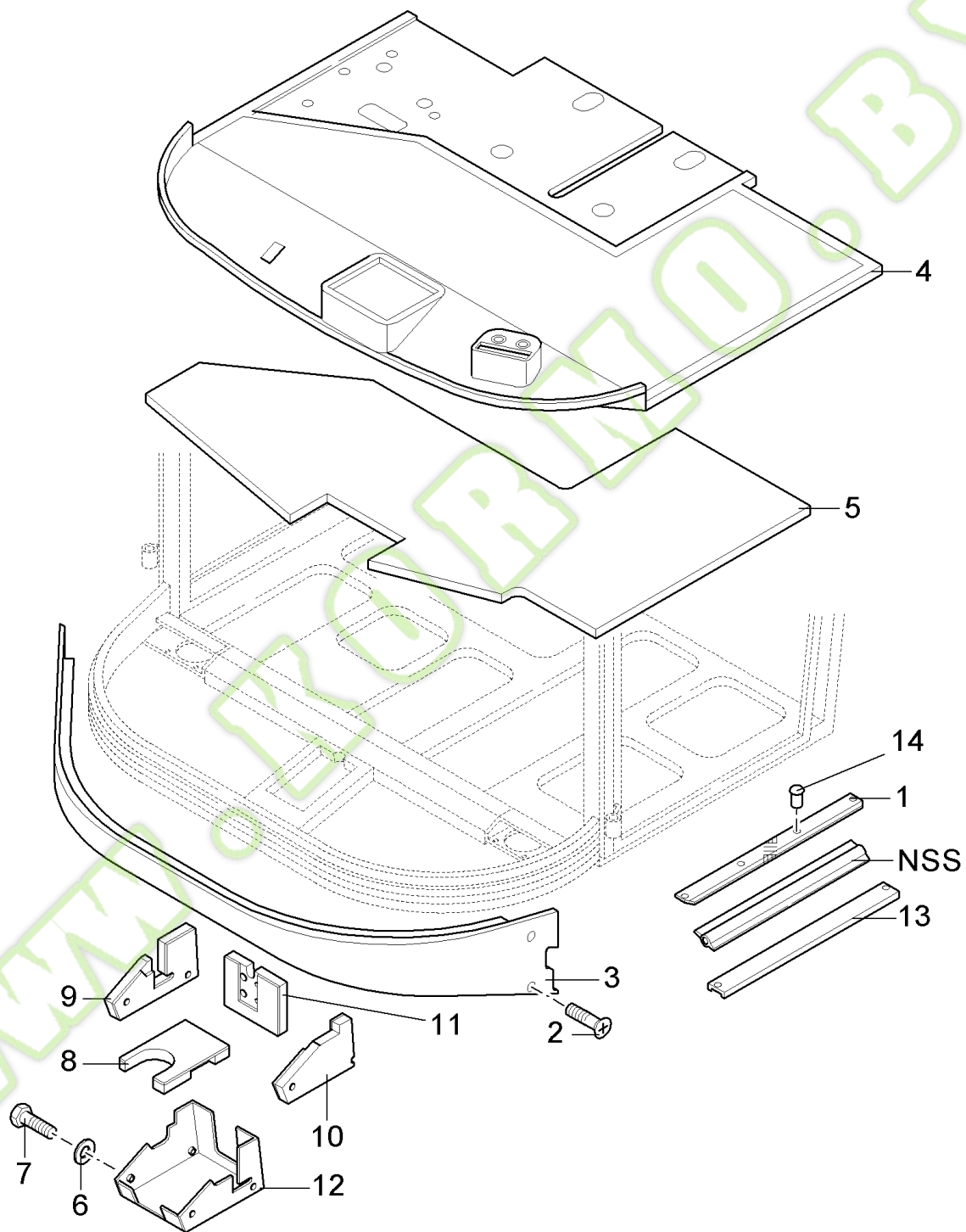
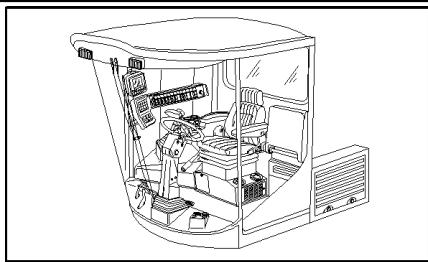


## FX48 SELF-PROPELLED FORAGE HARVESTER (9/98- )

06.01(01) CAB

Ref	Part Number	Qty	Description
1	84001211	1	CAB,
2	84053736	4	DAMPER,
3	120072	2	SCREW, {PP:80120072} Hex, M10 x 70, 8.8, M10x70
4	140045	2	WASHER, LOCK, {PP:80140045} Belleville, M10, 10MM
5	446694	2	WASHER, {PP:80446694}
6	80120104	8	SCREW, M8x20
7	322358	18	WASHER, LOCK, {PP:80322358} Belleville, M8, 8MM
8	100015	10	NUT, {PP:80100015} M8, CI 8, M8
10	140046	2	WASHER, LOCK, {PP:80140046} Belleville, M12, 12MM
11	9706687	2	SCREW, {PP:89706687} Hex, M12 x 30, 8.8, M12x30
12	84002531	1	FLOOR,
13	84001618	1	MAT,
14	353068	4	NUT, {PP:80353068} M6
15	84021178	1	GAS STRUT,
16	9812123	1	BUSHING, {PP:89812123}
17	100067	2	NUT, {PP:80100067} M8 x 1.25", CI 8, M8
18	458639	2	PLUG, {PP:80458639}
19	350240	2	WASHER, {PP:80350240}
20	84002257	1	PLATE, COVER,
21	84014562	1	SUPPORT, , FOR FRANCE ONLY
9	16043224	8	SCREW, Hex, M8 x 16, 8.8, Full Thd, M8x16

06.02(01) CAB FLOOR

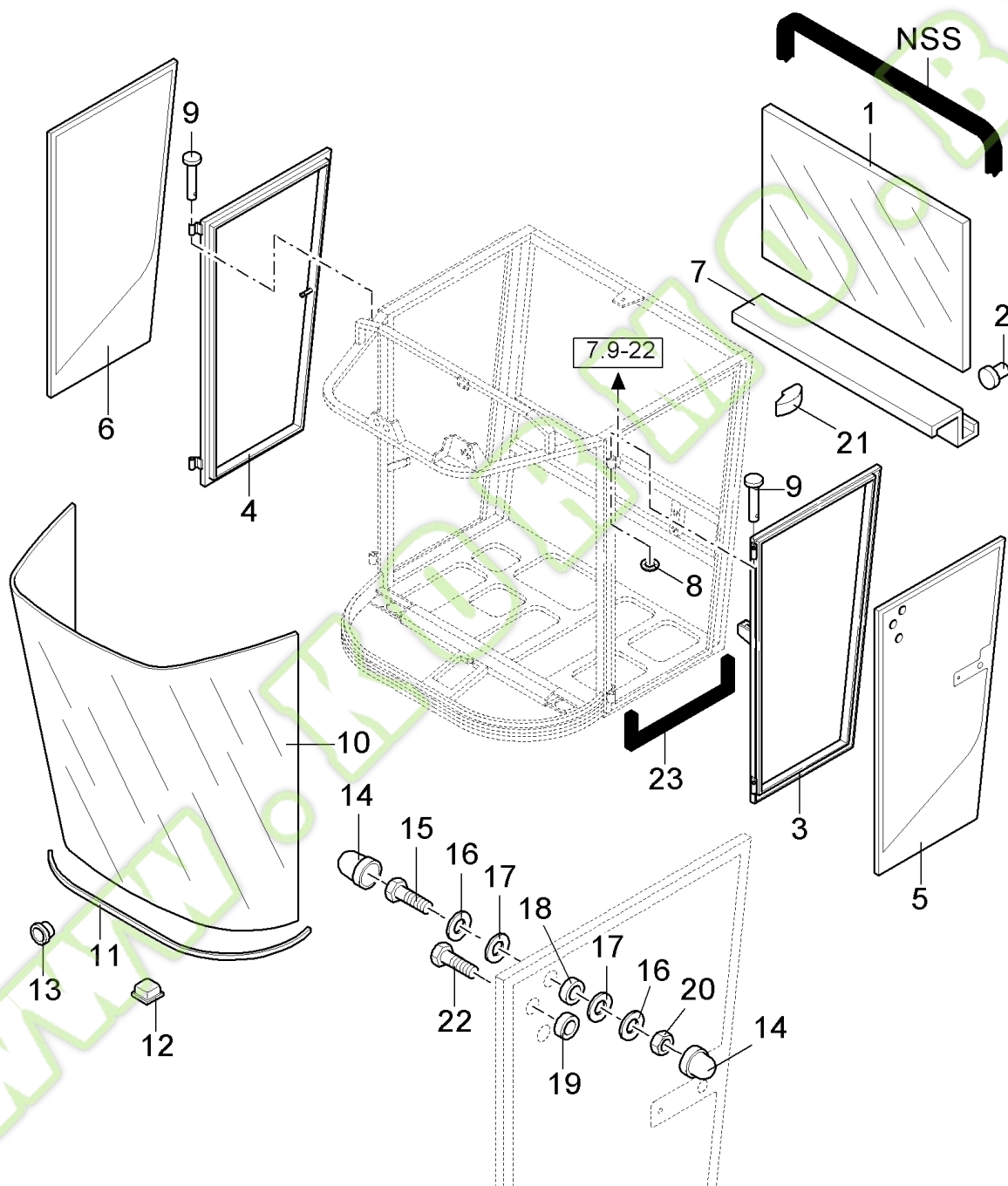
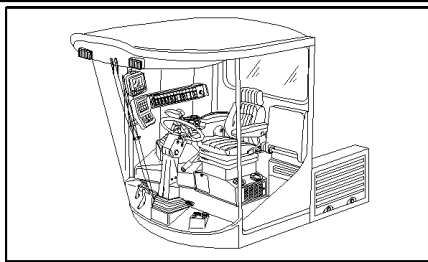


## FX48 SELF-PROPELLED FORAGE HARVESTER (9/98- )

## 06.02(01) CAB FLOOR

Ref	Part Number	Qty	Description
1	84001240	1	PLATE, COVER,
2	84007083	4	SCREW,
3	84001674	1	COVER, , BSN C173
3	84429739	1	COVER, , ASN D174
4	84035029	1	MAT, , BSN C201
4	84435821	1	MAT, , ASN D202
5	84001569	1	PLATE,
6	322357	4	WASHER, LOCK, {PP:80322357} Belleville, M6, Belleville, M6
7	80120099	AR	SCREW, Hex, M6 x 16, 8.8, M6x16
8	84011276	1	SOFT TRIM,
9	84011277	1	SOFT TRIM,
10	84011278	1	SOFT TRIM,
11	84011279	1	SOFT TRIM,
12	84015542	1	COVER,
13	84002922	AR	PLATE, COVER,
14	425520	4	RIVET, {PP:80425520}

06.03(01) CAB WINDOW PANES

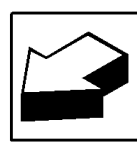
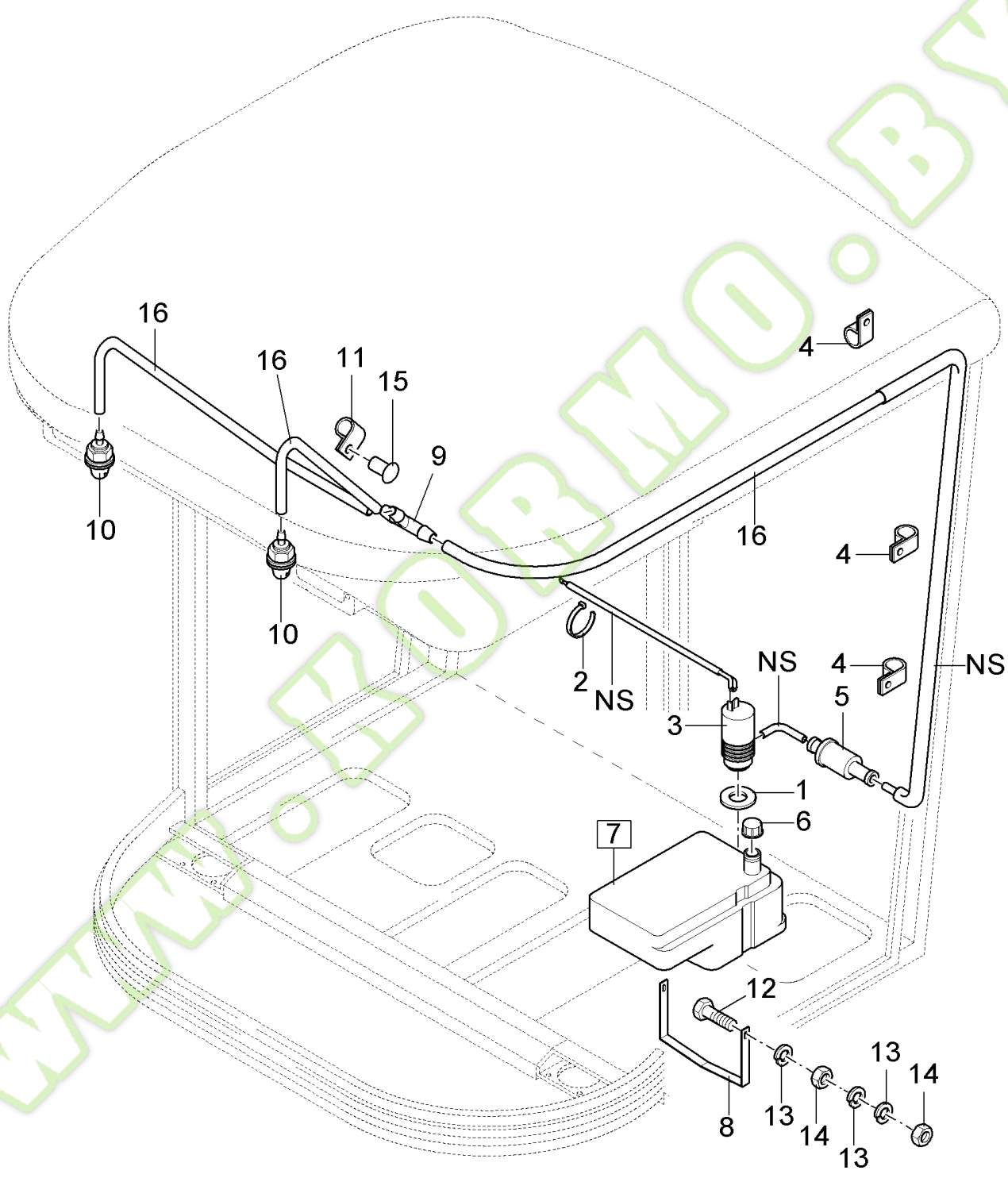
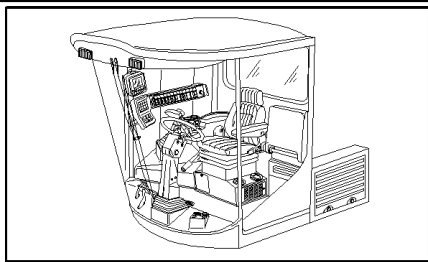


## FX48 SELF-PROPELLED FORAGE HARVESTER (9/98- )

## 06.03(01) CAB WINDOW PANES

Ref	Part Number	Qty	Description
1	89812479	1	GLASS, Includes glued on sealing strip
2	9992358	AR	ELASTIC STOP, {PP:89992358}
3	84001701	1	CAB DOOR, LH, , BSN C181
3	84607347	1	CAB DOOR, LH, , ASN D182
4	9500096	1	CAB DOOR, RH, {PP:89500096} , BSN C181
4	84607346	1	CAB DOOR, RH, , ASN D182
5	84002641	1	GLASS ASSY, CAB,
6	84002642	1	GLASS ASSY, CAB,
7	84001896	2	BRACKET,
8	431021	AR	RING, LOCKING, {PP:80431021}
9	412561	4	PIN, CLEVIS, {PP:80412561} , BSN C181
9	84607358	4	PIN, , ASN D182
10	740775	1	GLASS, {PP:80740775}
11	9501985	AR	ELEMENT, SEALING, {PP:89501985} L=10M
12	9818501	AR	PLUG, {PP:89818501}
13	9992359	AR	PLUG, {PP:89992359}
14	458639	12	PLUG, {PP:80458639}
15	43127	6	BOLT, {PP:80043127} Hex, M8 x 25, 8.8, M8x25
16	84042302	12	WASHER,
17	338260	12	WASHER, {PP:80338260}
18	84002644	4	BUSHING,
19	84002643	2	BUSHING,
20	100015	6	NUT, {PP:80100015} M8, CI 8, M8
21	9500198	1	HOOK, {PP:89500198}
22	331619	1	SCREW, {PP:80331619}
23	84014500	AR	ELEMENT, SEALING,





## FX48 SELF-PROPELLED FORAGE HARVESTER (9/98- )

## 06.04(01) SCREEN WASHER FOR FRONT WINDOW

Ref	Part Number	Qty	Description
1	84037531	1	ELEMENT, SEALING,
2	323597	3	STRAP, {PP:80323597}
3	84037533	1	PUMP, WATER,
4	9503930	3	CLAMP, {PP:89503930} RP16
5	84037530	1	VALVE, ADVANCE,
6	84041004	1	CAP,
7	84002498	1	RESERVOIR, WINDSH. WASH, (1,3,6)
8	84002499	1	CLAMP,
9	84037529	1	CONNECTION, 3 WAY,
10	84037532	2	NOZZLE,
11	353072	2	CLAMP, {PP:80353072}
12	86977786	2	BOLT, Hex, M6 x 25, 8.8, M6x25
13	322357	6	WASHER, LOCK, {PP:80322357} Belleville, M6, Belleville, M6
14	9706755	4	NUT, {PP:89706755} M6, CI 8, M6
15	425520	2	RIVET, {PP:80425520}
16	85006504	AR	HOSE, L=4.7M

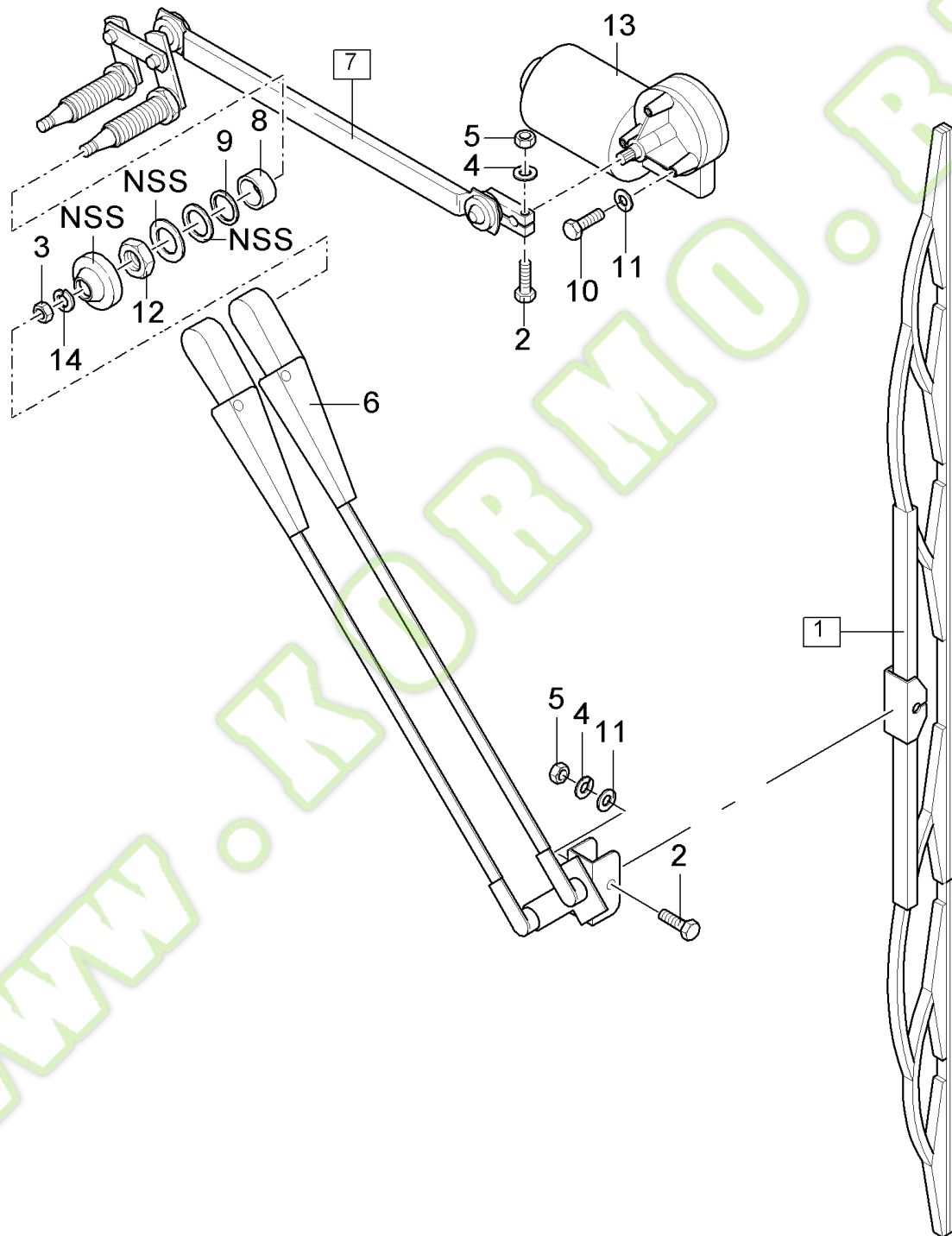
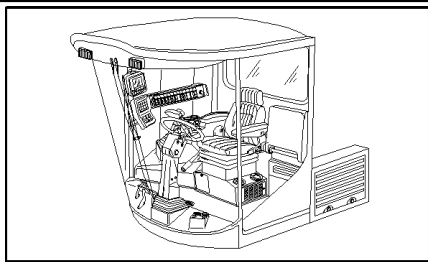


## FX48 SELF-PROPELLED FORAGE HARVESTER (9/98- )

## 06.05(01) CAB ROOF

Ref	Part Number	Qty	Description
1	84035353	1	ROOF, , INCLUDING REF. 19 ON FIG. 7.10 (ANTENNE), BSN C173
1	84429743	1	ROOF, , ASN D174
2	9500185	1	HANDLE GRIP, {PP:89500185}
3	140015	2	WASHER, {PP:80140015}
4	353068	2	NUT, {PP:80353068} M6
5	378243	2	WASHER, {PP:80378243} 8MM
6	120015	2	SCREW, {PP:80120015} Cross Pan Hd, M6 x 25, M6x25
7	322357	AR	WASHER, LOCK, {PP:80322357} Belleville, M6, Belleville, M6
8	86011713	1	MIRROR, REAR-VIEW, LH, BSN C185
9	84002697	1	SUPPORT, , BSN C185
10	9504368	5	PLUG, {PP:89504368}
11	84035031	1	SOFT TRIM, , BSN C163
11	84429898	1	SOFT TRIM, , ASN D164
12	9500213	1	SUN VISOR, {PP:89500213}
13	9504600	6	GRILLE, {PP:89504600}
14	F1NN9404587AA	2	PLATE, {PP:81868985}
15	9835804	AR	SCREW, {PP:89835804}
16	84005699	AR	CLIP,
17	322355	4	WASHER, LOCK, {PP:80322355} Belleville, M4, 4MM
18	86511042	4	SCREW, Cross Pan Hd, M4 x 16, M4x16
19	84014802	1	PLUG,
20	84000834	18	PLUG,
21	84002869	1	PLATE, COVER,
22	84400981	1	SUPPORT, , ASN D186
23	84400980	1	MIRROR, REAR-VIEW, , ASN D186

06.06(01) WINDSCREEN WIPER, FRONT

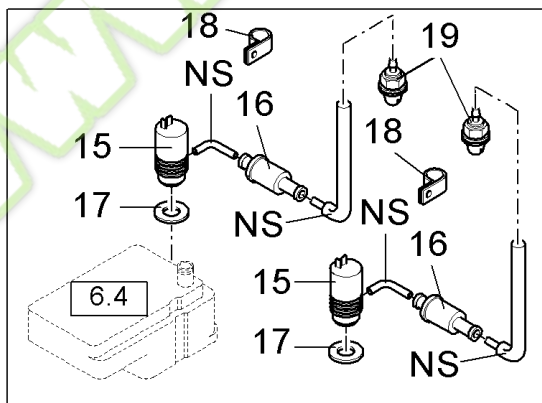
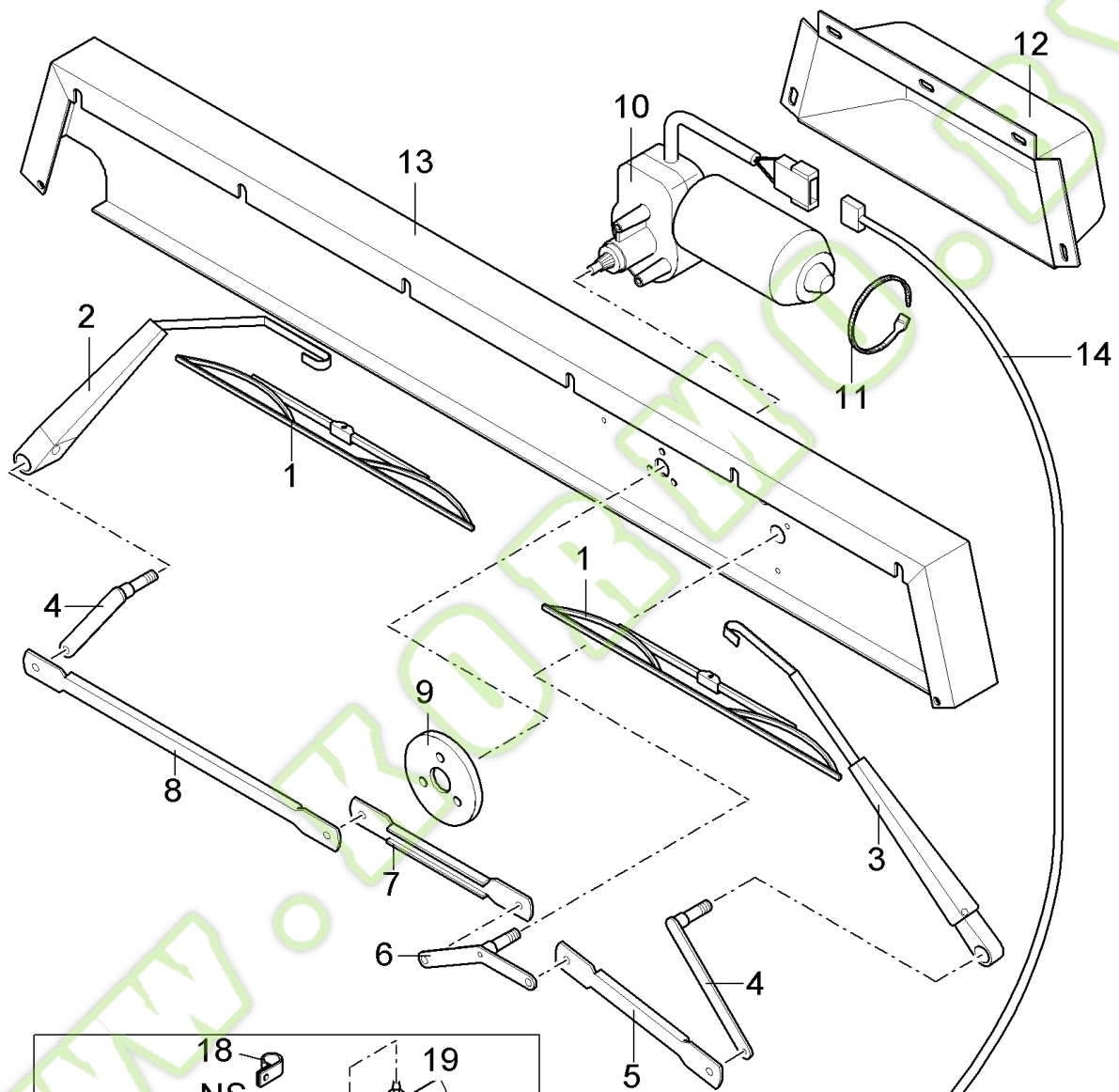
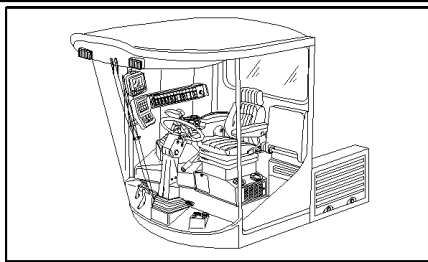


## FX48 SELF-PROPELLED FORAGE HARVESTER (9/98- )

## 06.06(01) WINDSCREEN WIPER, FRONT

Ref	Part Number	Qty	Description
1	84007417	1	WIPER BLADE, (2 to 5)
2	120101	2	SCREW, {PP:80120101} Hex, M6 x 30, 8.8, Full Thd, M6x30
3	100016	2	NUT, {PP:80100016} M10, CI 8, M10
4	140015	2	WASHER, {PP:80140015} 6MM
5	353308	2	NUT, {PP:80353308} M6 x 1, CI 8, M6
6	84007418	1	ARM,
7	84007420	1	ARM, (8 to 15)
8	32406	1	SPACER, {PP:80032406}
9	412568	2	WASHER, {PP:80412568}
10	80120099	3	SCREW, Hex, M6 x 16, 8.8, M6x16
11	322357	4	WASHER, LOCK, {PP:80322357} Belleville, M6, Belleville, M6
12	412569	2	NUT, {PP:80412569} M26 x 1, CI 8, M26
13	84007419	1	WIPER MOTOR,
14	140045	2	WASHER, LOCK, {PP:80140045} Belleville, M10,

06.07(01) WINDSCREEN WIPER, REAR



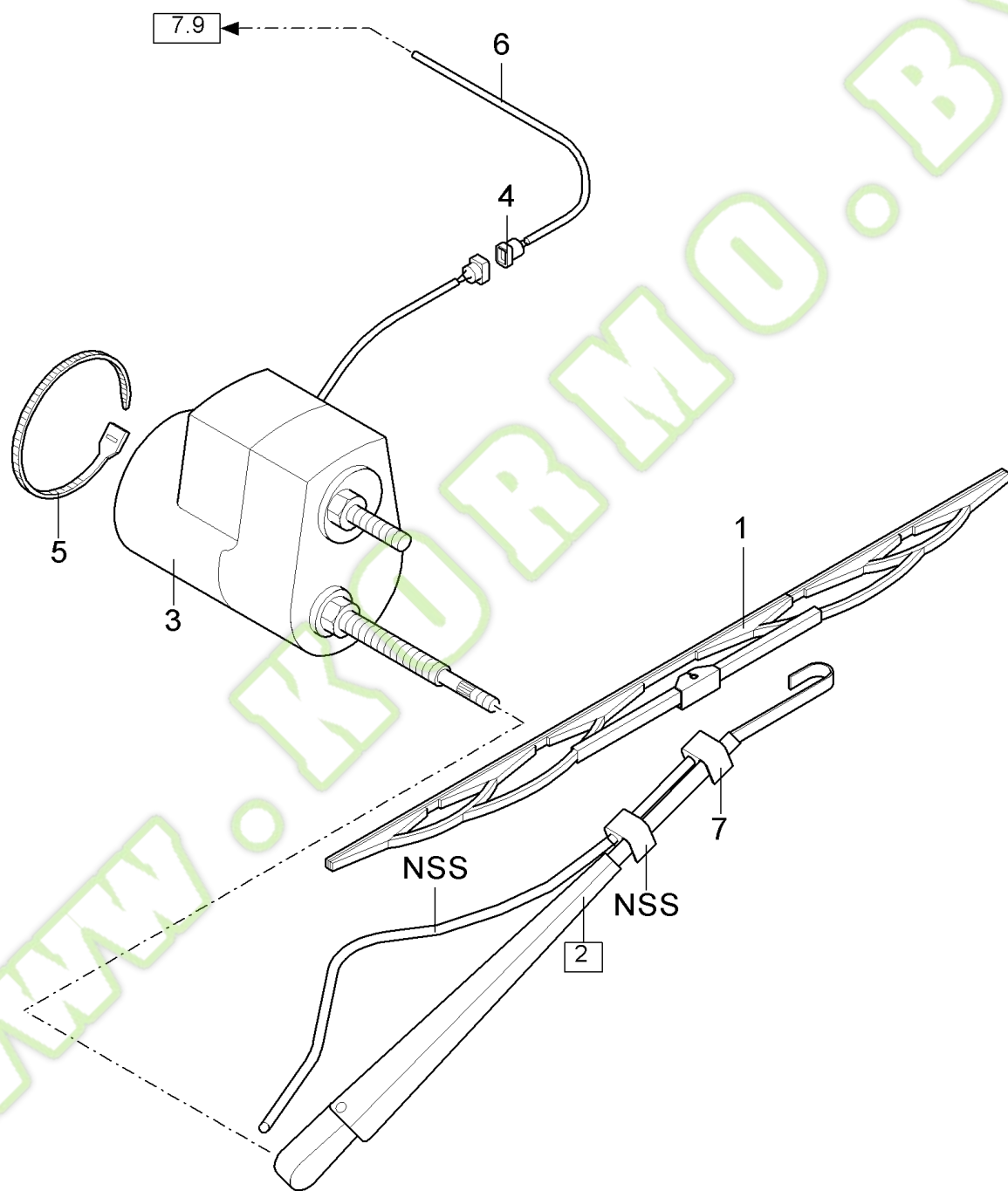
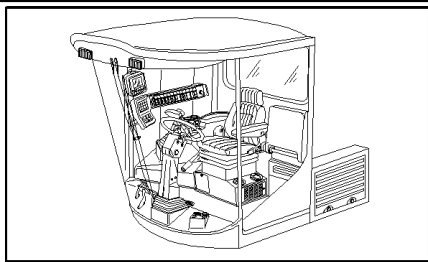
## FX48 SELF-PROPELLED FORAGE HARVESTER (9/98- )

## 06.07(01) WINDSCREEN WIPER, REAR

Ref	Part Number	Qty	Description
1	84041733	2	WIPER BLADE,
2	84041735	1	WIPER ARM, RH
3	84041734	1	WIPER ARM, LH
4	84042633	2	LEVER,
5	84042634	1	LEVER,
6	84042635	1	LEVER,
7	84042636	1	ROD,
8	84042638	1	LEVER,
9	84042637	1	LEVER,
10	84041732	1	MOTOR, ELECTRIC,
11	396718	1	STRAP, {PP:80396718}
12	84002948	1	SHIELD,
13	84002451	1	PLATE, COVER,
14	84002937	1	HARNES, WIRE,
15	84037533	2	PUMP, WATER, 12V
16	84037530	2	VALVE, ADVANCE,
17	84037531	2	ELEMENT, SEALING,
18	332401	5	CLAMP, WIRE, {PP:80332401}
18	353072	9	CLAMP, {PP:80353072}
19	84037532	2	NOZZLE,



06.08(01) WINDSCREEN WIPER, SIDE

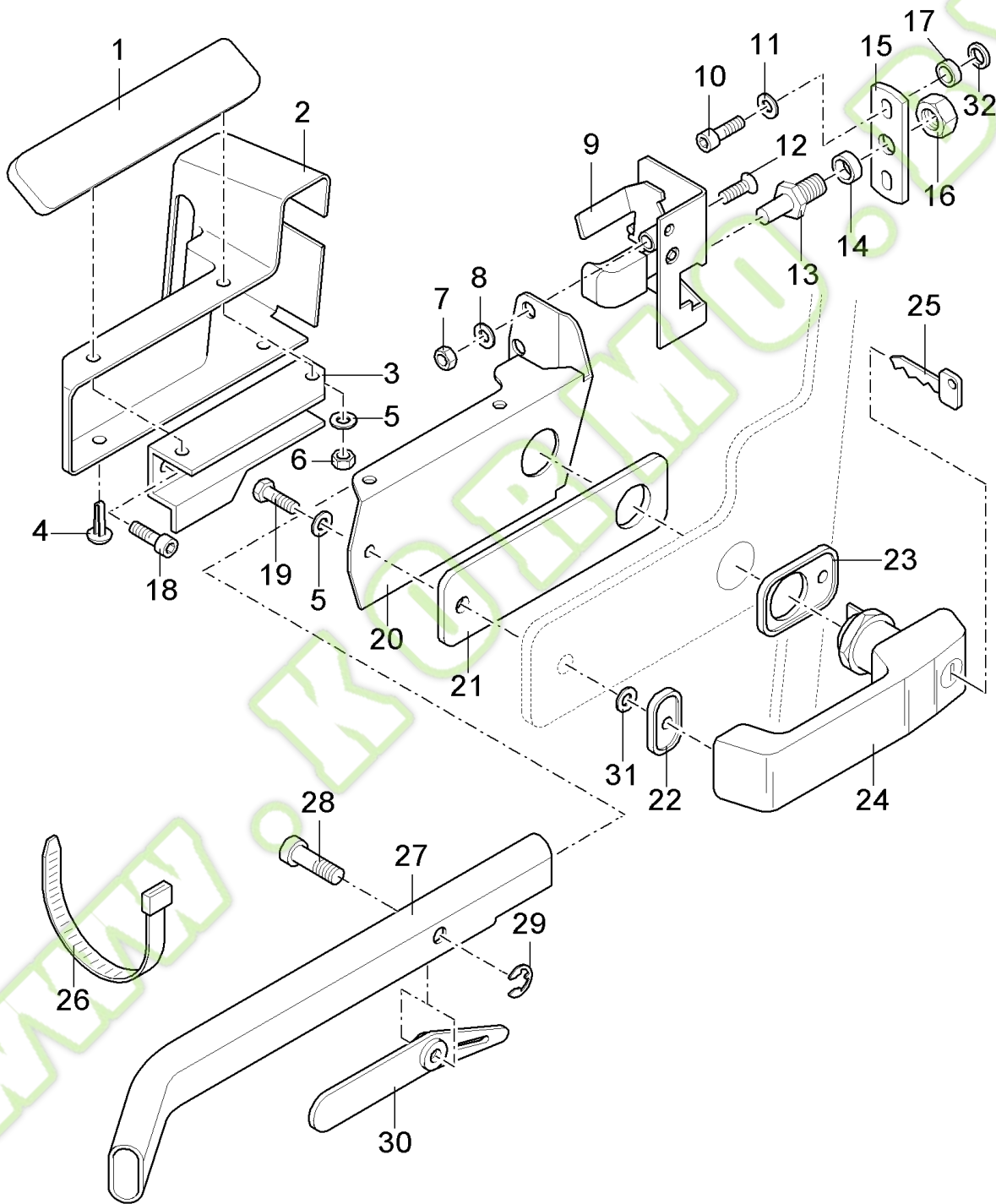
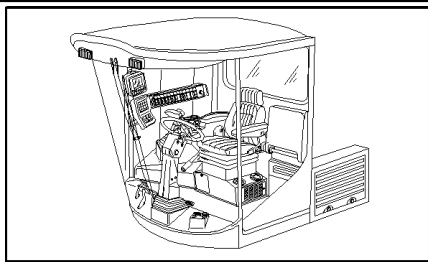


## 06.08(01) WINDSCREEN WIPER, SIDE

Ref	Part Number	Qty	Description
1	84041733	2	WIPER BLADE,
2	84041736	1	WIPER ARM, RH (7)
2	84041741	1	WIPER ARM, LH (7)
3	84041738	1	MOTOR, ELECTRIC, RH
3	84041737	1	MOTOR, ELECTRIC, LH
4	450238	2	CONNECTOR, {PP:80450238} 4-POLIG
5	95874S	2	CLAMP, {PP:83937270}
6	84002938	1	HARNESS, WIRE,
7	84058729	2	NOZZLE, LUB. OIL JET,

WWW.KORMO.BY

06.09(01) DOOR LOCK

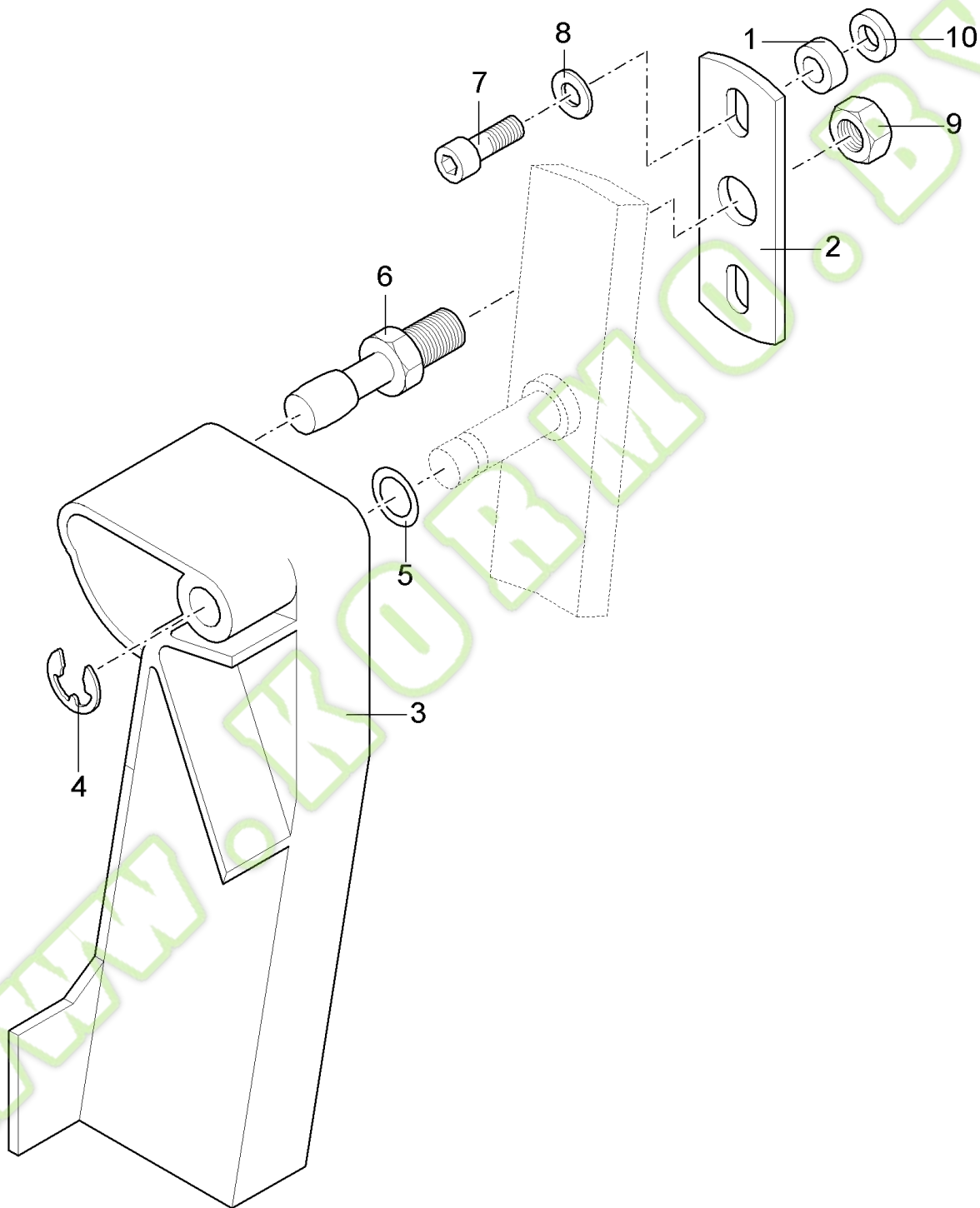
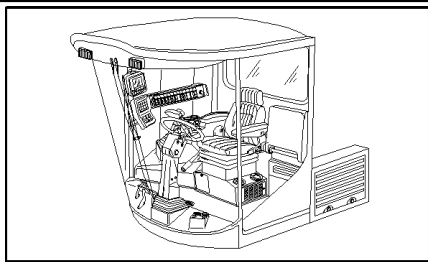


## FX48 SELF-PROPELLED FORAGE HARVESTER (9/98- )

## 06.09(01) DOOR LOCK

Ref	Part Number	Qty	Description
1	84001710	1	PLATE,
2	9594290	1	COVER, {PP:89594290}
3	84001709	1	SUPPORT,
4	446914	2	PLUG, {PP:80446914}
5	322357	3	WASHER, LOCK, {PP:80322357} Belleville, M6, Belleville, M6
6	9706755	2	NUT, {PP:89706755} M6, CI 8, M6
7	100015	2	NUT, {PP:80100015} M8, CI 8, M8
8	322358	2	WASHER, LOCK, {PP:80322358} Belleville, M8, 8MM
9	9817980	1	LOCK, {PP:89817980}
10	84007540	2	SCREW, M6x25
11	84007539	2	WASHER,
12	300352	2	SCREW, {PP:80300352} Hex Flat Hd, M8 x 40, 4.8, M8x40
13	9594675	1	STOP, {PP:89594675}
14	750159	1	RING, {PP:80750159}
15	9812327	2	BRACKET, {PP:89812327}
16	9818861	1	NUT, {PP:89818861} M12 x 1, CI 8, M12x1
17	396606	2	RING, {PP:80396606}
18	380426	2	SCREW, {PP:80380426} M6x10
19	120101	1	SCREW, {PP:80120101} Hex, M6 x 30, 8.8, Full Thd, M6x30
20	84001515	1	SUPPORT,
21	9593403	1	GASKET, {PP:89593403}
22	9513969	1	GASKET, {PP:89513969}
23	9513968	1	GASKET, {PP:89513968}
24	9513970	1	HANDLE, {PP:89513970}
25	E8NN9422053AA	1	KEY, DOOR LOCK, {PP:83963811} Code 1008
25	84032451	1	KEY, DOOR LOCK, Code 201
26	747159	1	CLAMP, {PP:80747159}
27	84001707	1	TUBE,
28	84001708	1	PIN,
29	E663210S71	1	CIRCLIP, {PP:83971493}
30	84001706	1	LEVER,
31	264036	1	BUSHING, {PP:80264036}
32	140015	AR	WASHER, {PP:80140015}

06.10(01) EMERGENCY DOOR LOCK

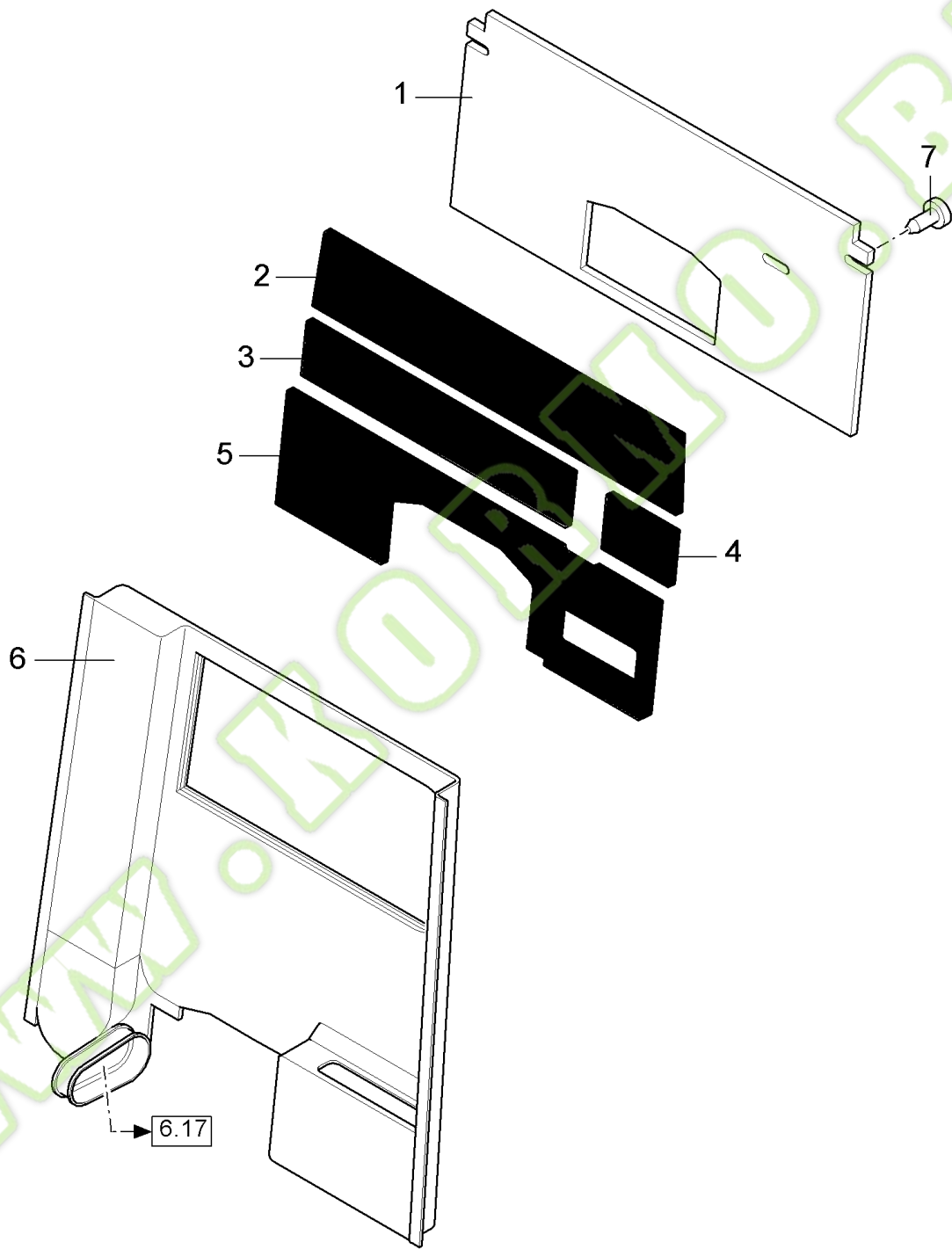
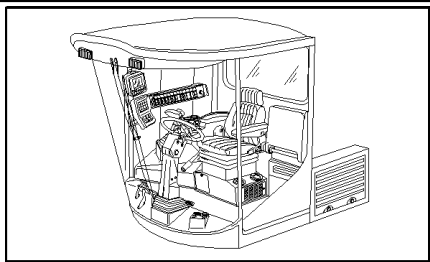


## 06.10(01) EMERGENCY DOOR LOCK

Ref	Part Number	Qty	Description
1	396606	2	RING, {PP:80396606}
2	9812327	1	BRACKET, {PP:89812327}
3	83992586	1	HANDLE,
4	E663210S71	1	CIRCLIP, {PP:83971493}
5	236535	1	O-RING, {PP:80236535} -110, 90 Duro, .362" ID x .103" Thk, 90 Duro, .362" ID x .103" Thk
6	E7NN94296N05AC	1	PIN, SPLIT (COTTER), {PP:81871857}
7	84007540	5	SCREW, M6x25
8	84007539	2	WASHER,
9	100016	1	NUT, {PP:80100016} M10, CI 8, M10
10	140015	AR	WASHER, {PP:80140015}

WWW.KORMO.BY

06.11(01) UPHOLSTERY



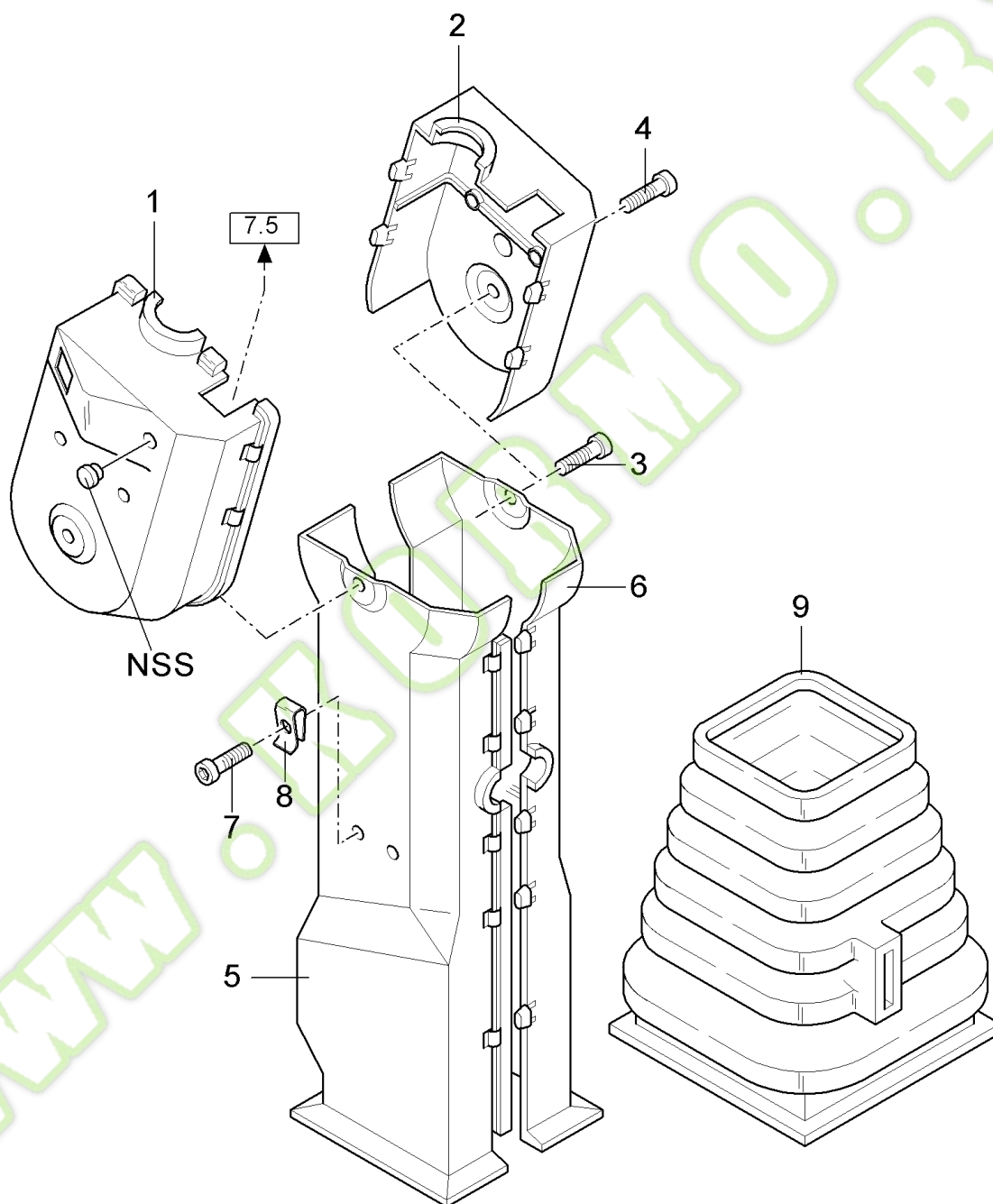
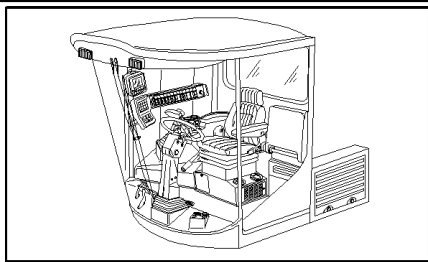
## 06.11(01) UPHOLSTERY

Ref	Part Number	Qty	Description
1	84002452	1	PLATE,
2	84035098	1	SOFT TRIM,
3	84001242	1	SOFT TRIM,
4	84001243	1	SOFT TRIM,
5	84001244	1	SOFT TRIM,
6	84001314	1	SOFT TRIM,
7	336455	8	PLUG, {PP:80336455}

WWW.KORMO.BY



06.12(01) PIVOTING STEERING COLUMN

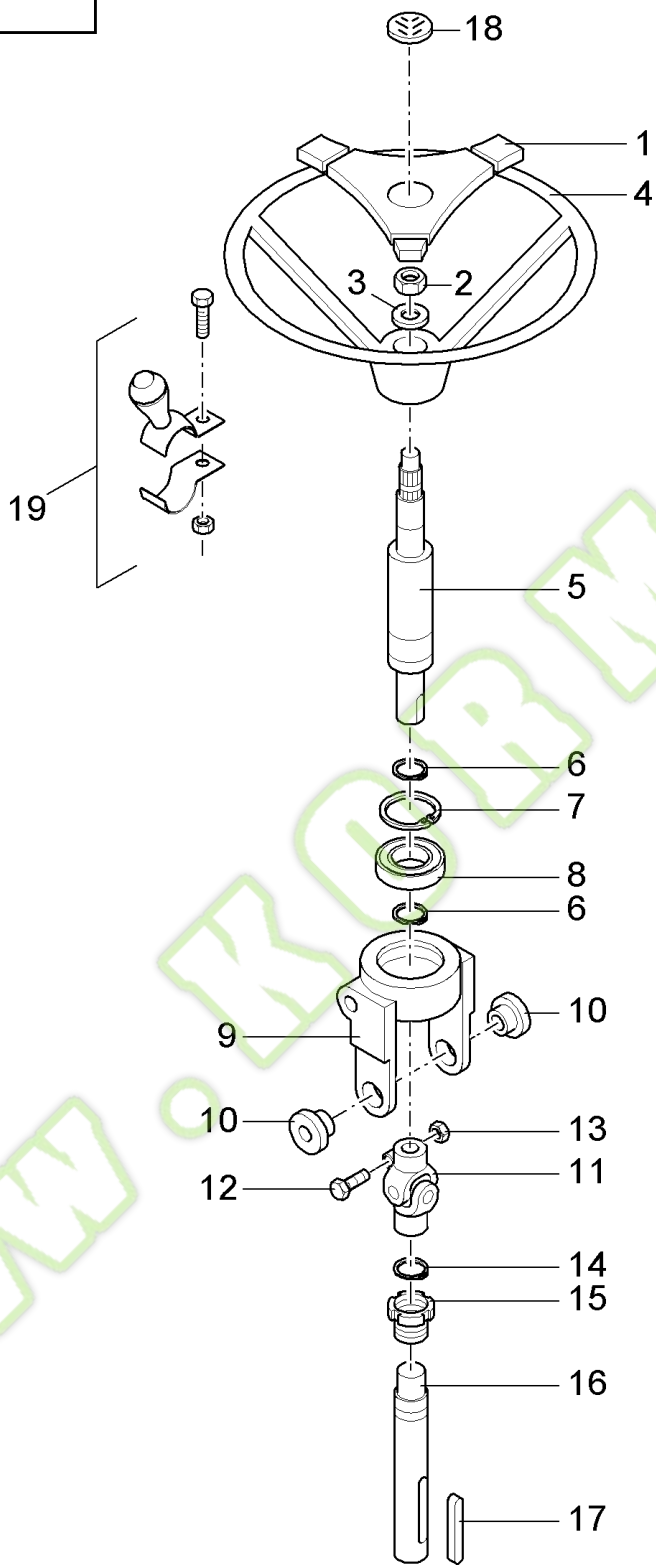
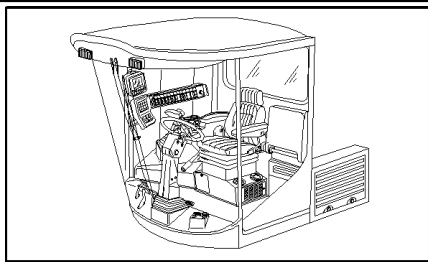


## 06.12(01) PIVOTING STEERING COLUMN

Ref	Part Number	Qty	Description
1	84022426	1	COVER,
2	84014916	1	COVER,
3	43128	1	SCREW, {PP:80043128} Hex, M8 x 30, 8.8, Cap, HH, CL 8.8, M8 x 1.25 x 30
4	120007	4	SCREW, {PP:80120007} Cross Pan Hd, M4 x 16, M14x14
5	84014918	1	COVER,
6	84014963	1	COVER,
7	9819754	4	SCREW, {PP:89819754}
8	9819712	4	CLIP, {PP:89819712}
9	9819608	1	BELLOWS, {PP:89819608}

WWW.KORMO.BY

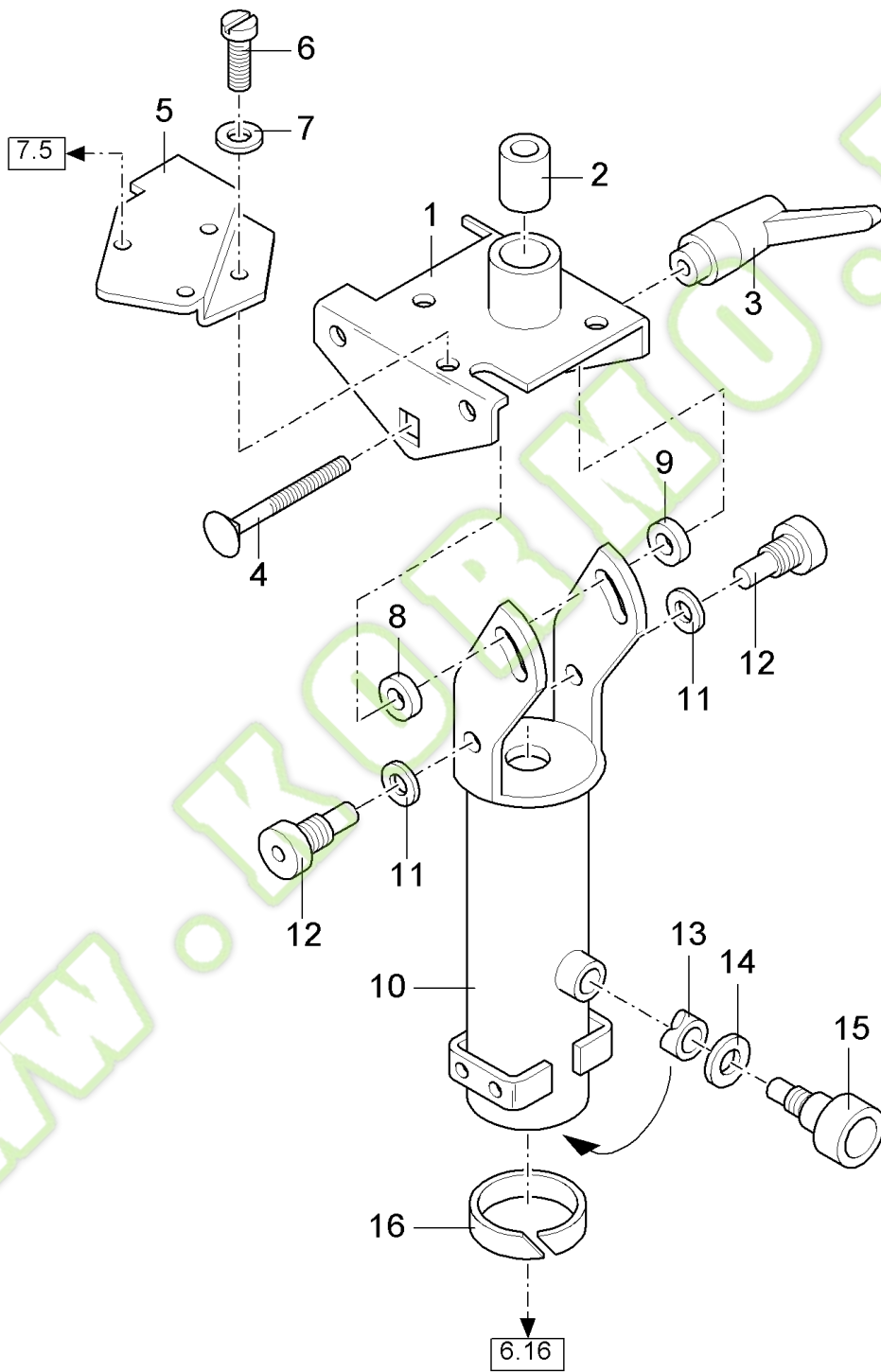
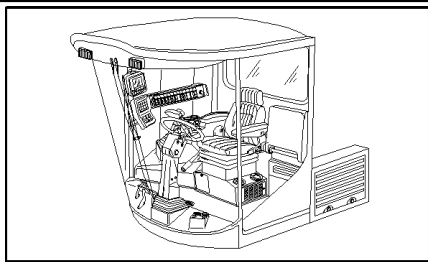
06.13(01) PIVOTING STEERING COLUMN



## 06.13(01) PIVOTING STEERING COLUMN

Ref	Part Number	Qty	Description
1	84015153	1	COVER,
2	86450	1	NUT, {PP:80086450} 5/8"-18UNF
3	140048	1	WASHER, LOCK, {PP:80140048} Belleville, M16, 16MM
4	F0NN3600AA	1	STEERING WHEEL, {PP:81862887}
5	84014884	1	SHAFT,
6	370024	2	RING, SNAP, {PP:80370024}
7	80300645	1	CIRCLIP,
8	412669	1	BEARING ASSY, {PP:80412669}
9	84014885	1	YOKE,
10	84014886	2	BUSHING,
11	84056200	1	JOINT, UNIVERSAL,
12	412479	1	SCREW, {PP:80412479} Hex, M8 x 35, 8.8, M8x35
13	100067	1	NUT, {PP:80100067} M8 x 1.25", CI 8, M8
14	370001	1	CIRCLIP, {PP:80370001}
15	84014883	1	NUT,
16	84014880	1	SHAFT,
17	84014882	1	KEY,
18	84015154	1	EMBLEM,
19	84100978	1	KNOB, , BSN F132163
19	84432447	1	KNOB, , ASN D164

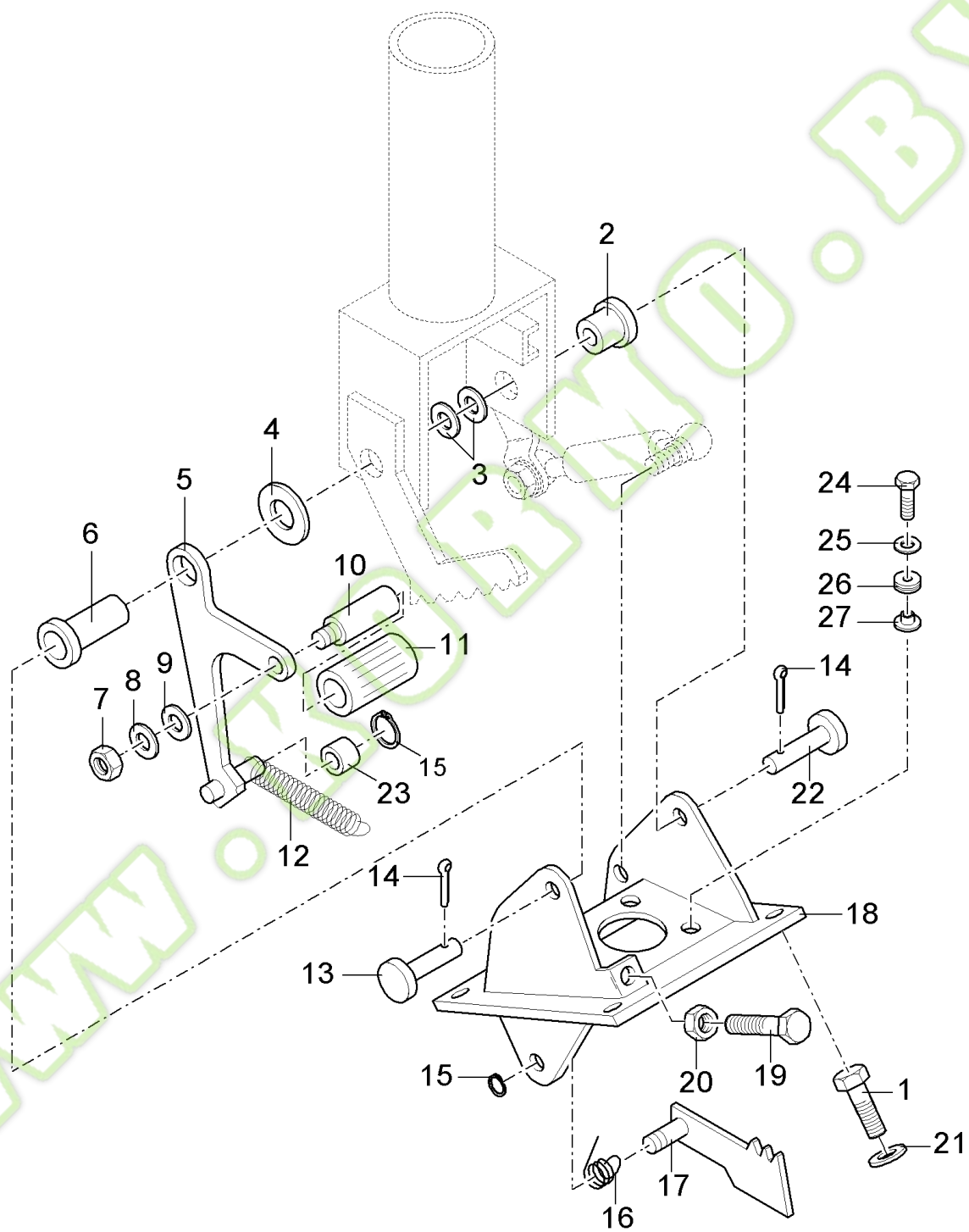
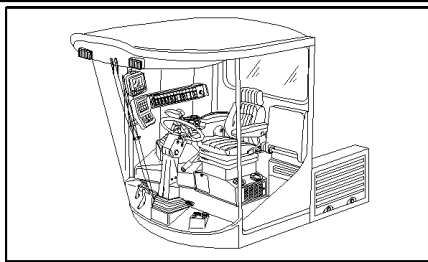
06.14(01) PIVOTING STEERING COLUMN



## 06.14(01) PIVOTING STEERING COLUMN

Ref	Part Number	Qty	Description
1	84014912	1	SUPPORT,
2	84014911	1	BUSHING,
3	84014891	1	HANDLE,
4	84014888	1	SCREW,
5	84014914	1	SUPPORT,
6	321803	2	BOLT, {PP:80321803} Cross Pan Hd, M4 x 10, M4x10
7	322355	2	WASHER, LOCK, {PP:80322355} Belleville, M4,
8	84014889	1	WASHER, LOCK,
9	84014890	1	WASHER, LOCK,
10	84014875	1	STEERING COLUMN,
11	140028	2	WASHER, {PP:80140028} M10,
12	84014887	2	SCREW,
13	84014910	1	WASHER,
14	140045	1	WASHER, LOCK, {PP:80140045} Belleville, M10,
15	84014909	1	KNOB,
16	84014877	2	SLEEVE,

06.15(01) PIVOTING STEERING COLUMN



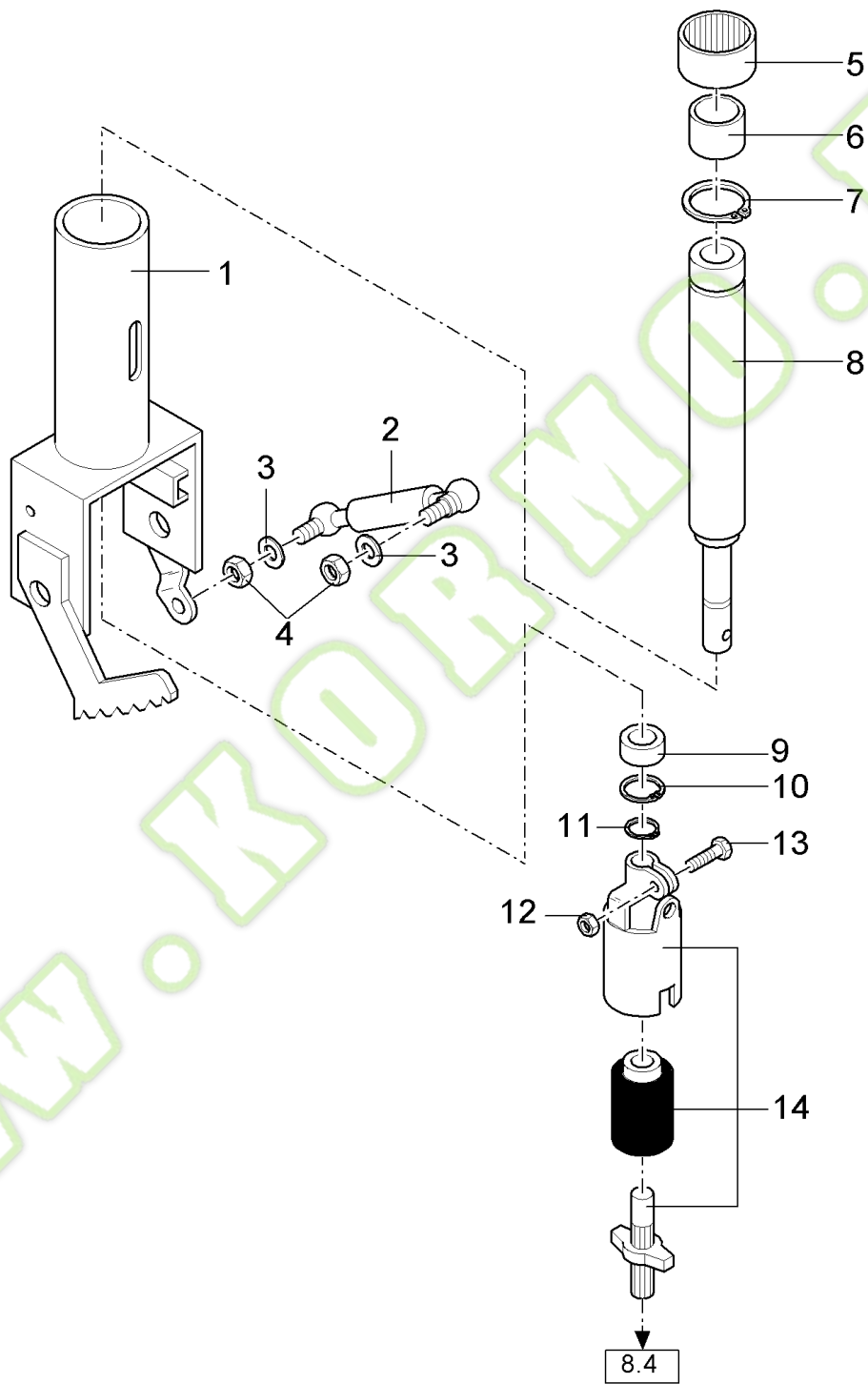
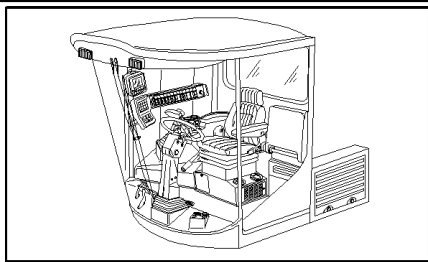
## FX48 SELF-PROPELLED FORAGE HARVESTER (9/98- )

## 06.15(01) PIVOTING STEERING COLUMN

Ref	Part Number	Qty	Description
1	80120104	1	SCREW, M8x20
2	84014896	1	BUSHING,
3	325291	2	WASHER, {PP:80325291}
4	84014898	1	WASHER,
5	84014899	1	LEVER,
6	84014897	1	BUSHING,
7	100016	1	NUT, {PP:80100016} M10, CI 8, M10
8	140028	1	WASHER, {PP:80140028} M10,
9	378244	1	WASHER, LOCK, {PP:80378244}
10	84014905	1	PEDAL,
11	84014906	1	PAD, RUBBER,
12	84014904	1	SPRING,
13	84014894	1	PIN,
14	130007	2	PIN, SPLIT (COTTER), {PP:80130007} M4 x 25,
15	84014901	2	CIRCLIP,
16	84014903	1	SPRING,
17	84014902	1	TAB, LOCKING,
18	84014893	1	SUPPORT,
19	43128	6	SCREW, {PP:80043128} Hex, M8 x 30, 8.8, Cap, HH, CL 8.8, M8 x 1.25 x 30
20	100015	2	NUT, {PP:80100015} M8, CI 8, M8
21	322358	6	WASHER, LOCK, {PP:80322358} Belleville, M8,
22	84014895	1	PIN,
23	84014900	1	BUSHING,
24	43140	4	BOLT, {PP:80043140} Hex, M10 x 30, 8.8, M10x30
25	140045	4	WASHER, LOCK, {PP:80140045} Belleville, M10, 10MM
26	89514935	4	SHOCK ABSORBER,
27	89819785	4	FLANGE,



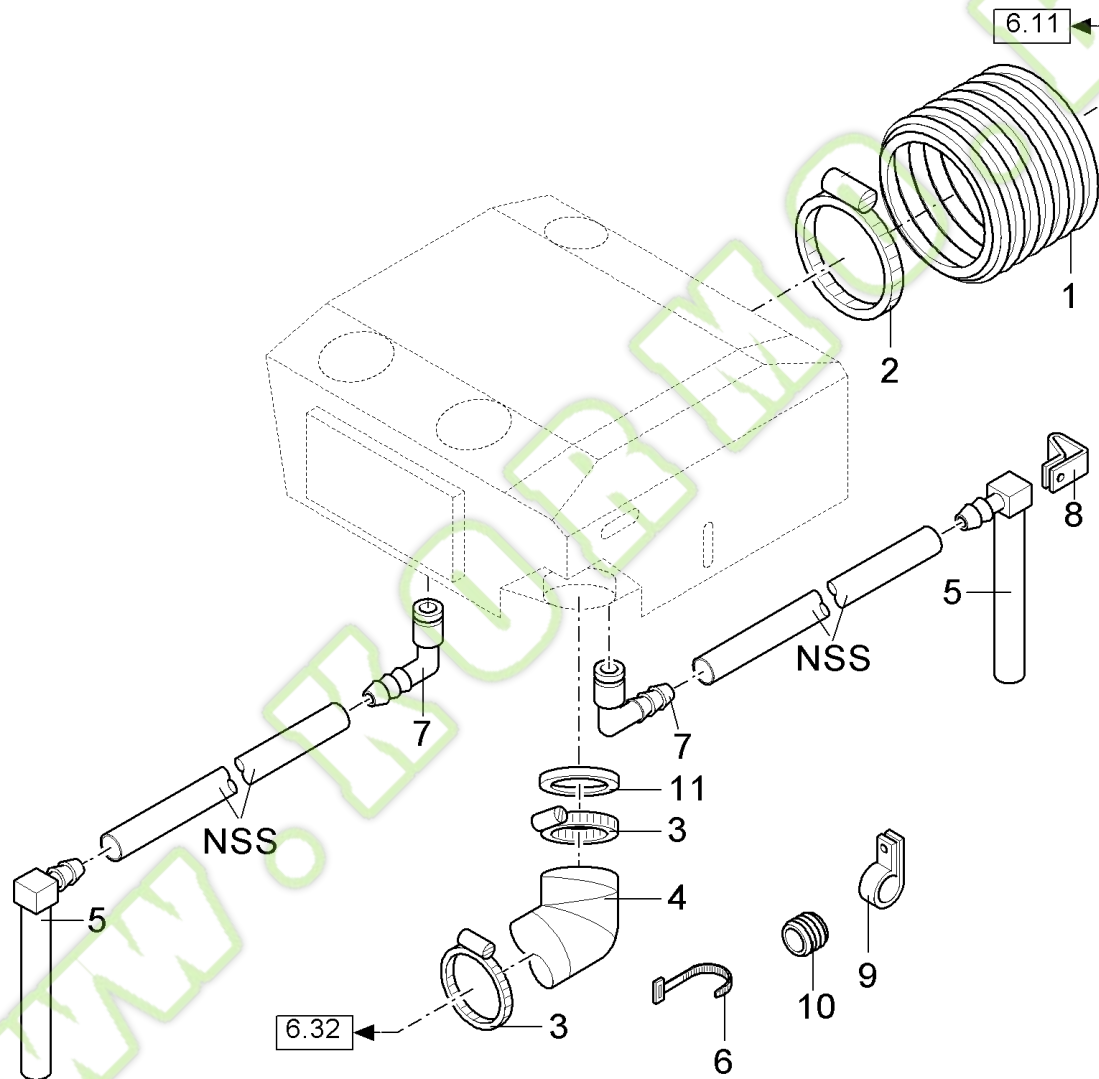
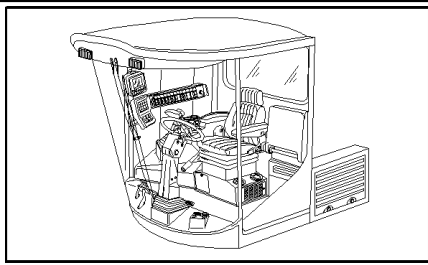
06.16(01) PIVOTING STEERING COLUMN



## 06.16(01) PIVOTING STEERING COLUMN

Ref	Part Number	Qty	Description
1	84014875	1	STEERING COLUMN,
2	84014907	1	GAS STRUT,
3	322358	2	WASHER, LOCK, {PP:80322358} Belleville, M8,
4	100015	2	NUT, {PP:80100015} M8, CI 8, M8
5	84014913	1	BEARING ASSY,
6	84014878	1	BUSHING,
7	370004	1	CIRCLIP, {PP:80370004}
8	84014879	1	GUIDE,
9	412669	1	BEARING ASSY, {PP:80412669}
10	80300645	1	CIRCLIP,
11	370024	1	RING, SNAP, {PP:80370024}
12	100067	1	NUT, {PP:80100067} M8 x 1.25", CI 8, M8
13	412479	1	SCREW, {PP:80412479} Hex, M8 x 35, 8.8, M8x35
14	84014908	1	JOINT, UNIVERSAL,

06.17(01) AIR CONDITIONER

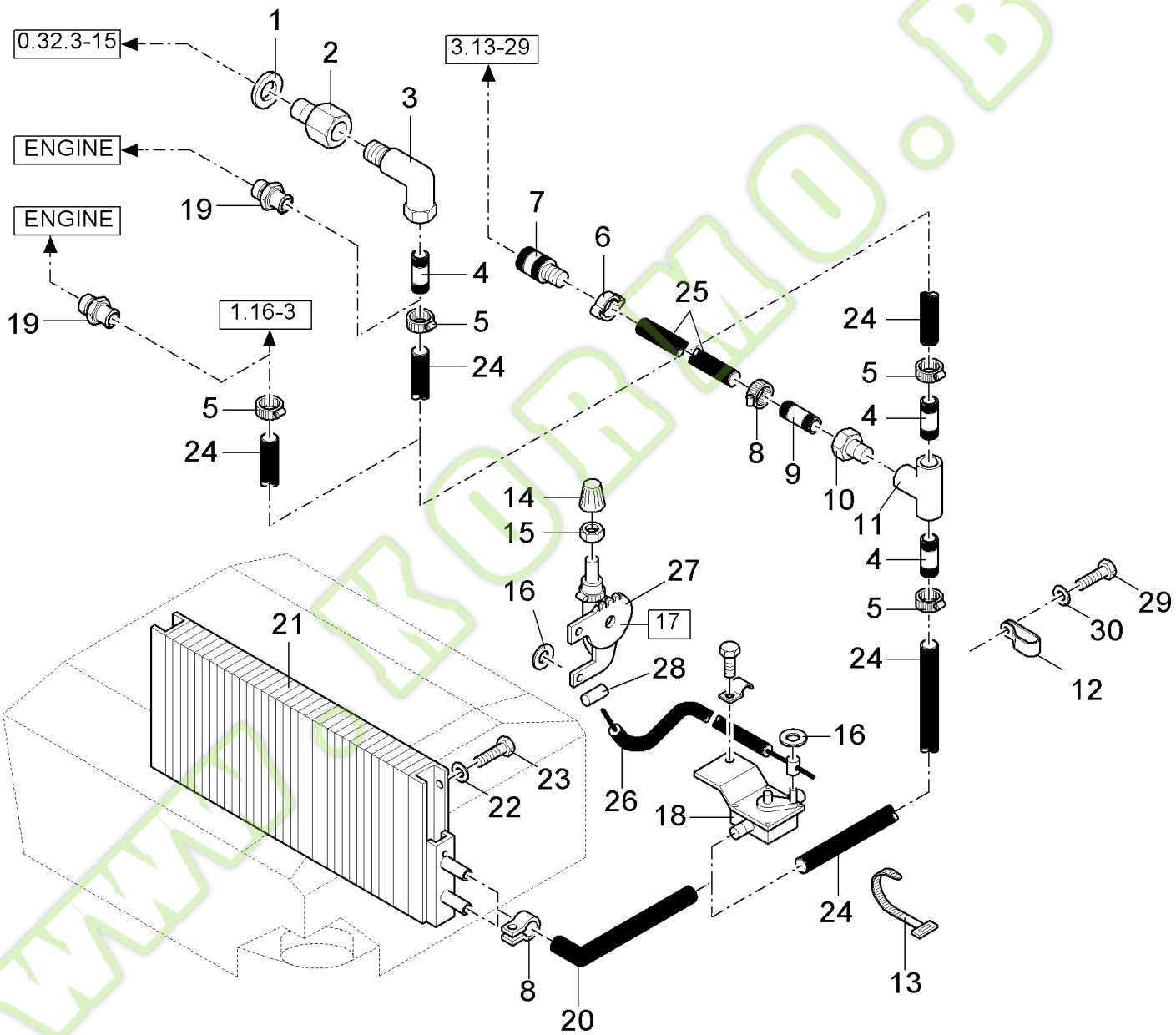
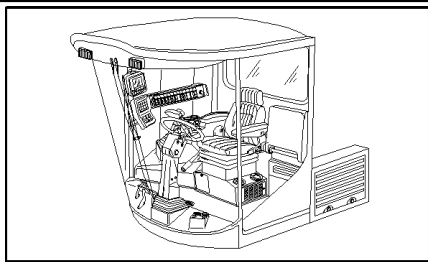


## 06.17(01) AIR CONDITIONER

Ref	Part Number	Qty	Description
1	9819551	1	HOSE, {PP:89819551}
2	84011664	2	CLAMP,
3	381144	2	CLAMP, {PP:80381144}
4	84039258	1	HOSE, , BSN C173
4	84400210	1	HOSE, , ASN D174
5	9833900	2	TUBE, {PP:89833900}
6	323597	AR	STRAP, {PP:80323597}
7	9850816	2	ELBOW, {PP:89850816}
8	9513271	AR	CLAMP, {PP:89513271}
9	711051	AR	CLAMP, {PP:80711051}
10	102043	2	GROMMET, {PP:80102043}
11	84400209	1	COLLAR,

WWW.KORMO.BY

06.18(01) HEATING

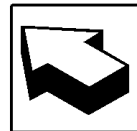
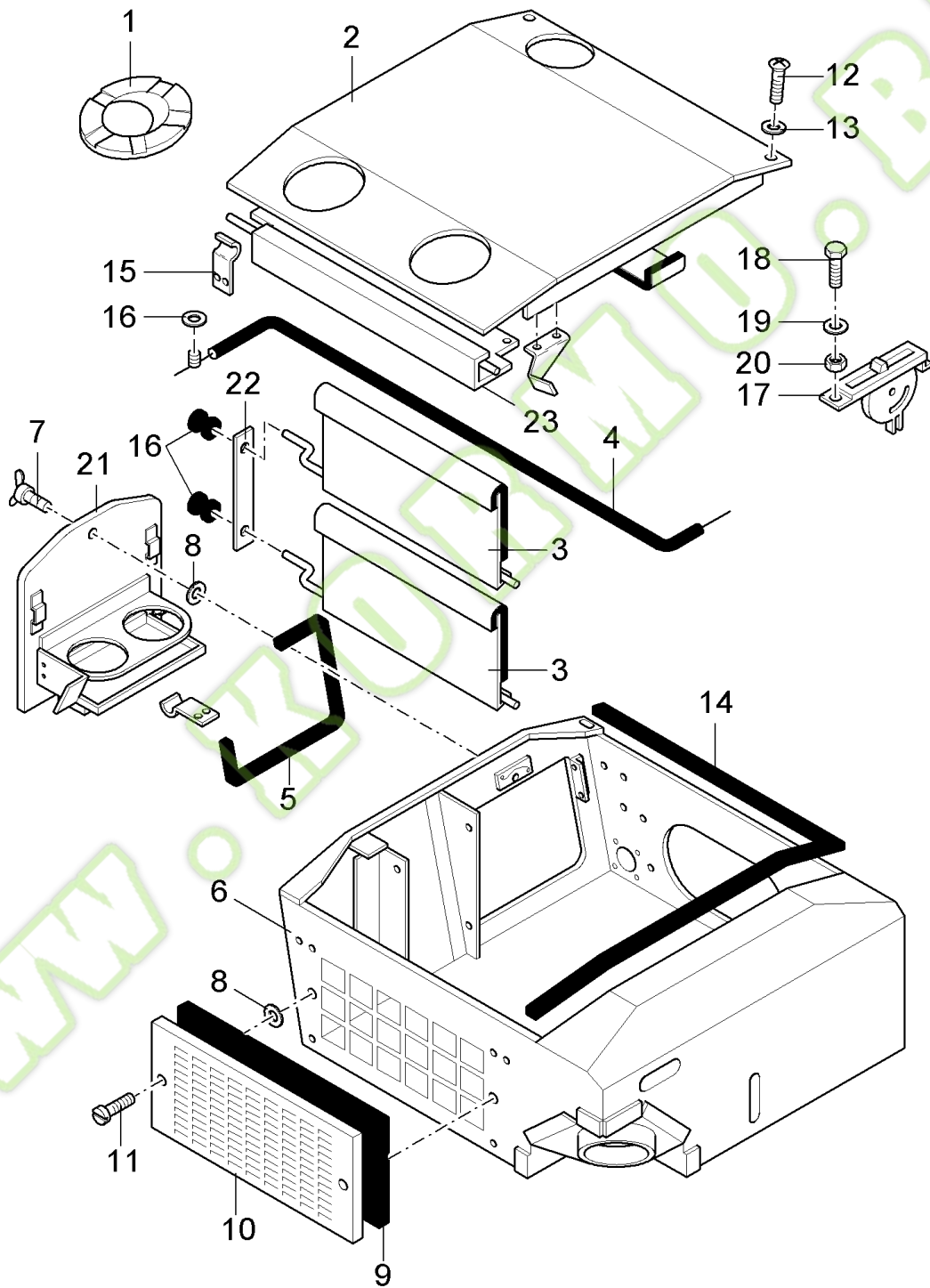
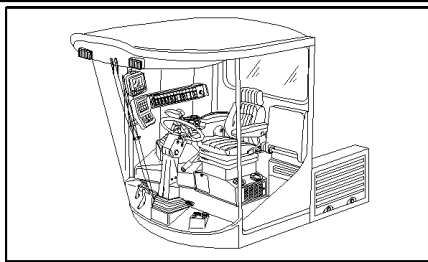


## FX48 SELF-PROPELLED FORAGE HARVESTER (9/98- )

## 06.18(01) HEATING

Ref	Part Number	Qty	Description
1	220104	1	RING, {PP:80220104}
2	80433257	1	CONNECTOR, HYD.,
3	103198	1	ELBOW, {PP:80103198}
4	84021074	4	TUBE,
5	326082	2	CLAMP, {PP:80326082}
6	84038324	2	CLAMP, , BSN C185
6	84607087	2	CLAMP, , ASN D186
7	84017826	2	CONNECTOR, HYD., FEMALE, BSN C201
7	84607508	2	CONNECTOR, HYD., FEMALE, ASN D202
8	9706921	3	CLAMP, {PP:89706921}
9	84021075	2	TUBE,
10	511955	2	REDUCER, {PP:80511955}
11	84057136	2	CONNECTION, 3 WAY,
12	9513271	6	CLAMP, {PP:89513271}
13	323597	AR	STRAP, {PP:80323597}
14	9850811	1	KNOB, {PP:89850811}
15	84000368	1	NUT, 7/16"-20, G2, 7/16"
16	398561	1	CLIP, {PP:80398561}
17	9837974	1	CABLE, {PP:89837974} (16,26 to 28)
18	9832336	1	VALVE, {PP:89832336}
19	84045523	1	CONNECTOR, HYD.,
20	9835205	2	ELBOW, {PP:89835205}
21	84039021	1	RADIATOR,
22	322358	3	WASHER, LOCK, {PP:80322358} Belleville, M8,
23	80300806	3	SCREW, M5x10
24	84052958	AR	HOSE, L=5610MM
25	84058174	2	HOSE, L=1100MM
26	84058994	1	CABLE,
27	84058995	1	CONTROL,
28	84058996	1	SPIDER,
29	80412357	1	SCREW, M6x25
30	322357	1	WASHER, LOCK, {PP:80322357} Belleville, M6, Belleville, M6

06.19(01) AIR CONDITIONER



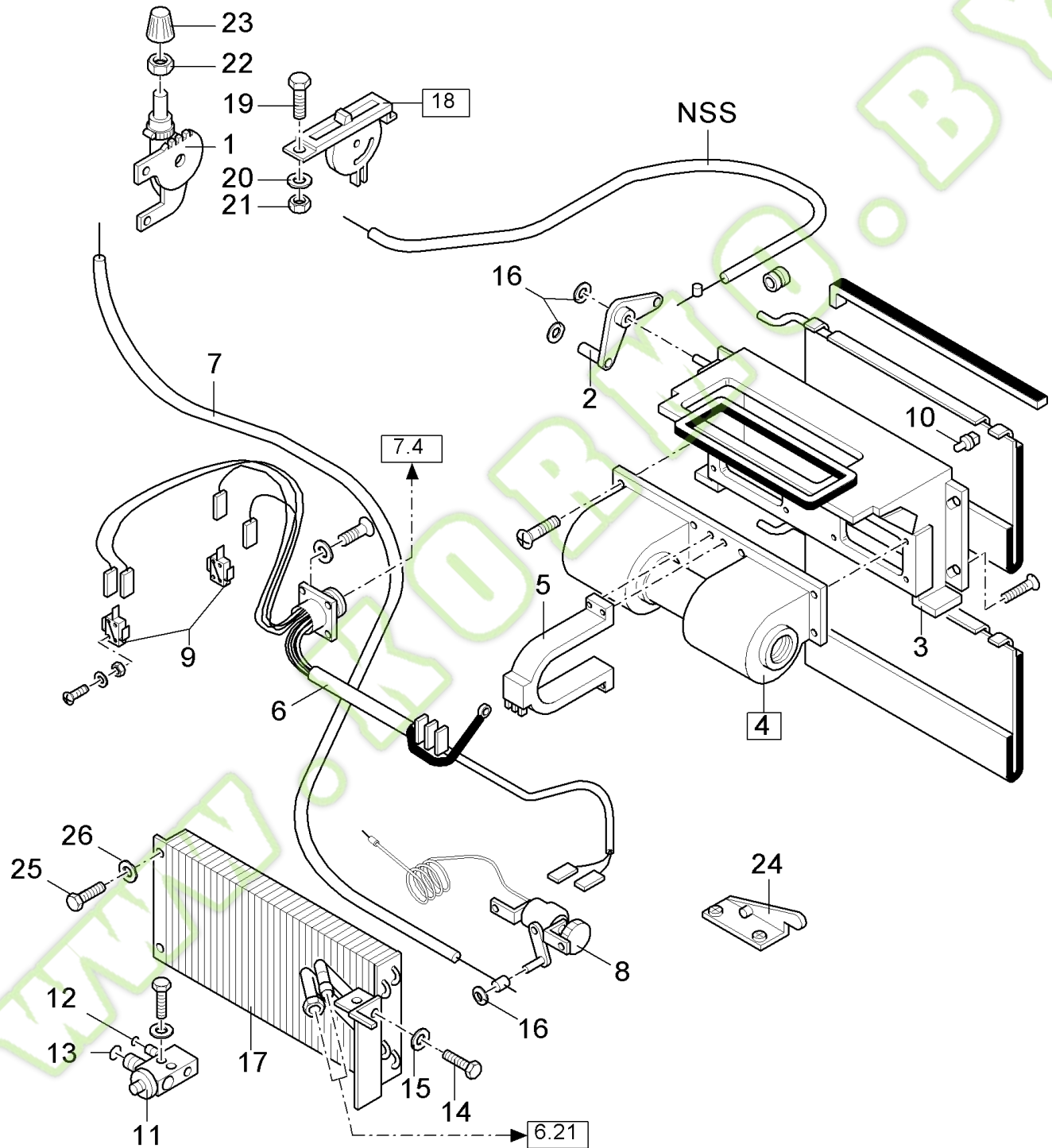
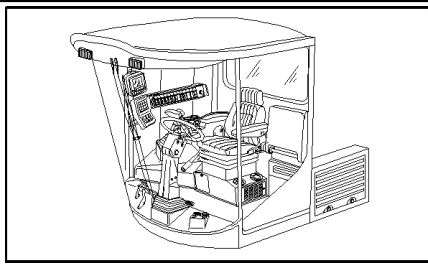
## FX48 SELF-PROPELLED FORAGE HARVESTER (9/98- )

## 06.19(01) AIR CONDITIONER

Ref	Part Number	Qty	Description
1	84015380	3	PIPE, VENTILATION,
2	84043996	1	COVER,
3	84043997	1	COVER, Upper
3	84043998	1	COVER, Lower
4	84015385	1	CABLE,
5	84015382	1	ELEMENT, SEALING,
6	84043995	1	ENVELOPE,
7	84015391	1	SCREW,
8	84015390	3	RING, LOCKING,
9	84045002	1	FILTER, ELEMENT,
10	84043999	1	GRILLE,
11	84015389	2	SCREW,
12	62320	2	SCREW, {PP:80062320} M10x25
13	378244	2	WASHER, LOCK, {PP:80378244} 10MM
14	84045003	1	ELEMENT, SEALING,
15	84015376	2	BRACKET,
16	426735	1	RING, LOCKING, {PP:80426735}
17	9833562	1	CONTROL, {PP:89833562}
18	412475	1	SCREW, {PP:80412475} M4x16
19	322355	1	WASHER, LOCK, {PP:80322355} Belleville, M4, 4MM
20	100012	1	NUT, {PP:80100012} M4, CI 8, M4
21	84032083	1	DOOR,
22	84045001	1	PLATE, COVER,
23	84068439	1	PLATE,



06.20(01) AIR CONDITIONER



ALL PARTS WITHOUT NO. ARE NOT AVAILABLE

## FX48 SELF-PROPELLED FORAGE HARVESTER (9/98- )

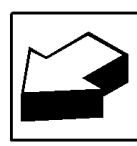
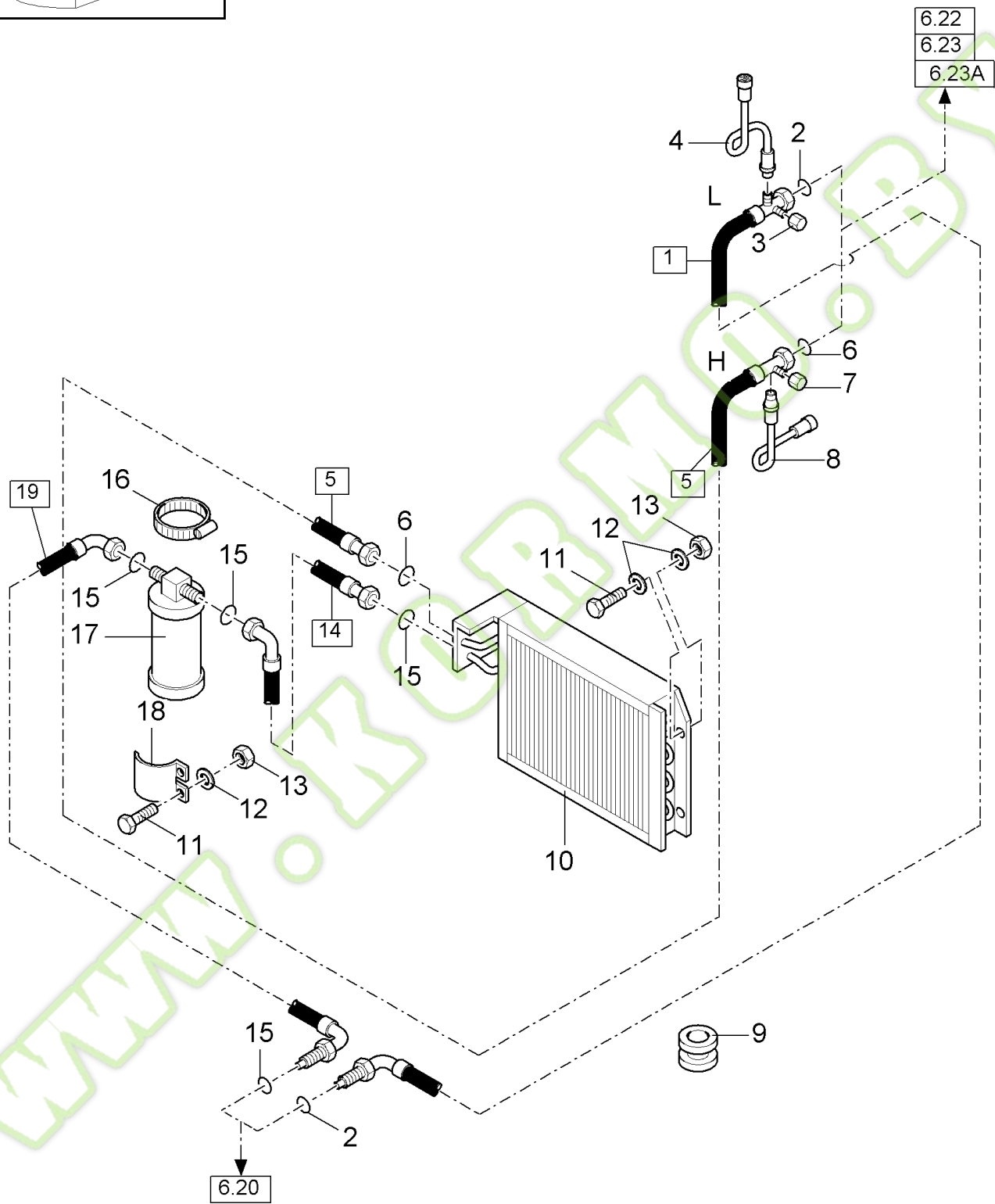
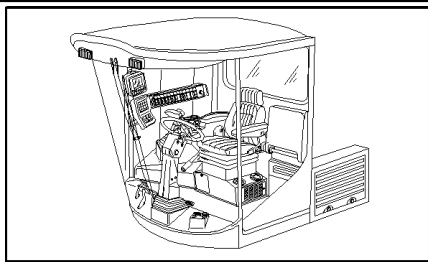
## 06.20(01) AIR CONDITIONER

Ref	Part Number	Qty	Description
1	84015393	1	CONTROL,
2	84015375	1	LEVER,
3	84045745	1	ENVELOPE,
4	84045746	1	BLOWER,
5	84045748	1	RESISTOR,
6	84045747	1	HARNESS, WIRE,
7	84015394	1	CABLE,
8	84037990	1	THERMOSTAT,
9	84015384	2	SWITCH, ASSY,
10	84015388	2	CLIP,
11	84015397	1	VALVE, HYDRAULIC,
12	84817009	1	O-RING,
13	84015398	1	O-RING,
14	80120102	2	SCREW, M6x40
15	140015	2	WASHER, {PP:80140015} 6MM
16	426735	3	RING, LOCKING, {PP:80426735}
17	84038330	1	EVAPORATOR,
18	9833562	1	CONTROL, {PP:89833562} (NSS)
19	412475	1	SCREW, {PP:80412475} M4x16
20	322355	1	WASHER, LOCK, {PP:80322355} Belleville, M4, 4MM
21	100012	1	NUT, {PP:80100012} M4, CI 8, M4
22	84000368	1	NUT, 7/16"-20, G2, 7/16"
23	9832337	1	KNOB, {PP:89832337}
24	84042749	1	BRACKET,
25	412188	2	SCREW, {PP:80412188} Phil Flat Hd, M5 x 12, 4.8,
26	322356	2	WASHER, LOCK, {PP:80322356}

ALL PARTS WITHOUT NO. ARE NOT AVAILABLE



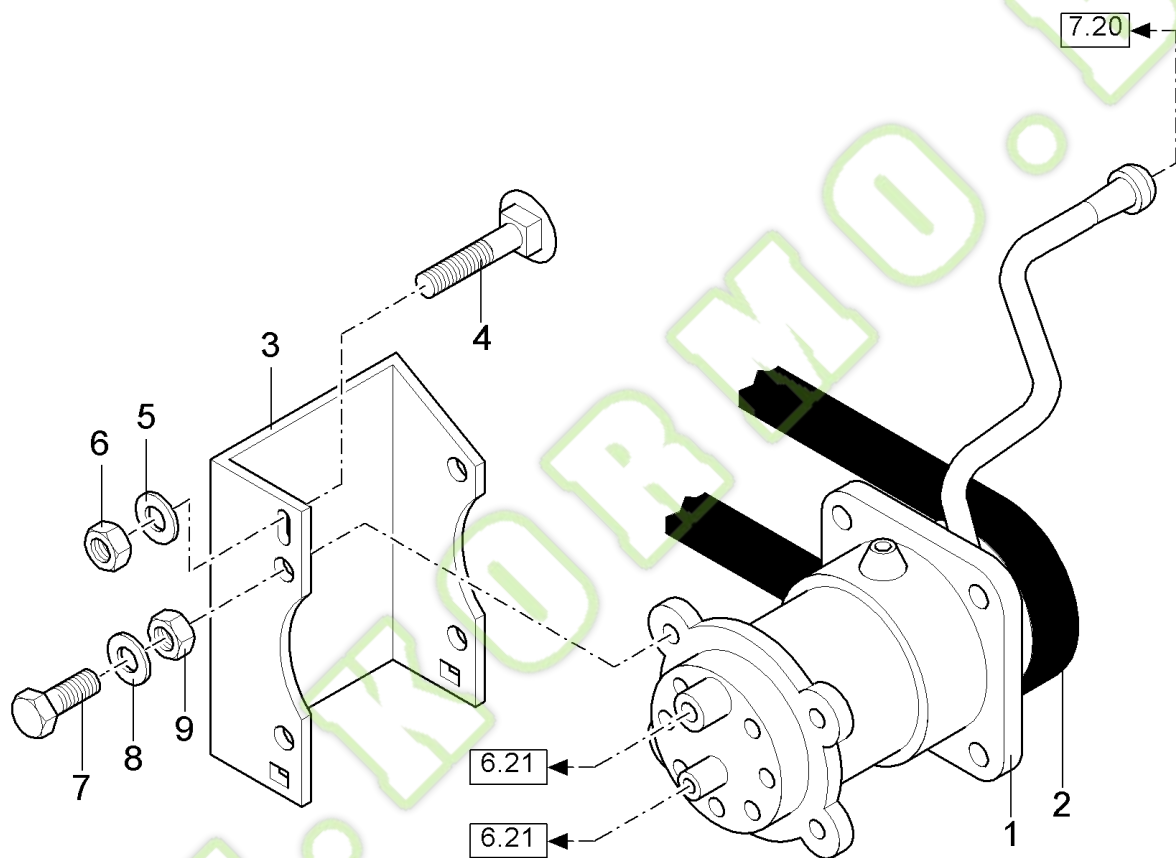
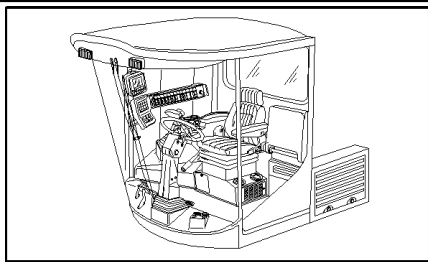
06.21(01) AIR CONDITIONER



## FX48 SELF-PROPELLED FORAGE HARVESTER (9/98- )

## 06.21(01) AIR CONDITIONER

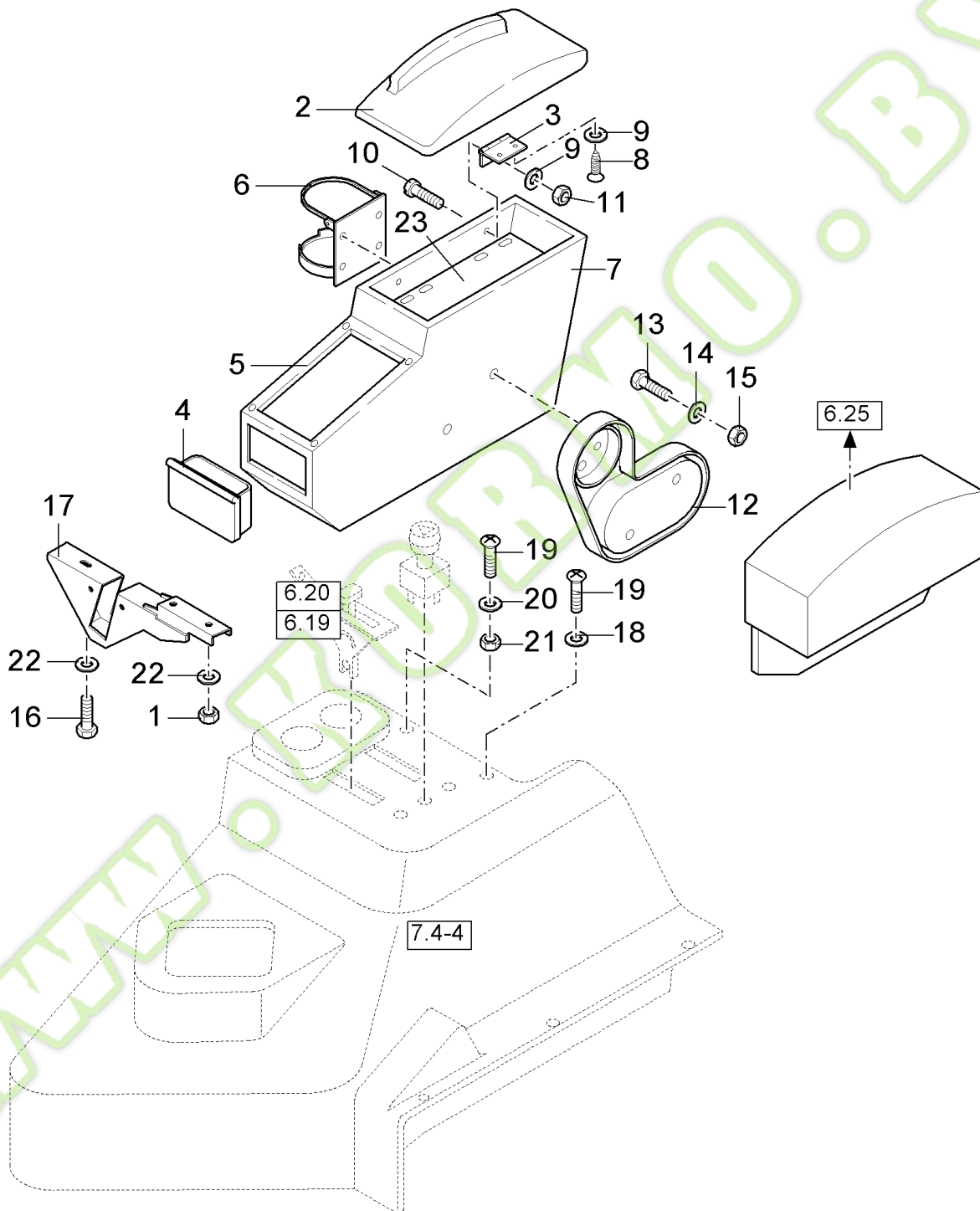
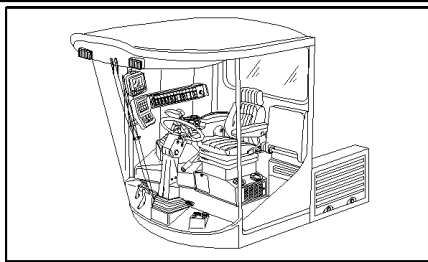
Ref	Part Number	Qty	Description
1	89850871	1	HOSE, FLEXIBLE, (2,3), FOR FX28-38-48 ONLY, BSN C217
1	84814271	1	HOSE, FLEXIBLE, , FOR FX28-38-48 ONLY, ASN D218
1	84053964	1	HOSE, FLEXIBLE, (2,3), FOR FX58 ONLY
2	89827059	2	O-RING,
3	9843388	1	DUST CAP, {PP:89843388}
4	84056421	1	SWITCH, Low
5	89850874	1	HOSE, FLEXIBLE, (6,7), FOR FX28-38-48 ONLY, BSN C217
5	84814272	1	HOSE, FLEXIBLE, , FOR FX28-38-48 ONLY, BSN F218229
5	84814663	1	HOSE, FLEXIBLE, , FOR FX28-38-48 ONLY, ASN D230
5	84053963	1	HOSE, FLEXIBLE, (6,7), FOR FX58 ONLY
6	9827058	2	O-RING, {PP:89827058} .426" ID x .070" Thk
7	9843389	1	DUST CAP, {PP:89843389}
8	84056420	1	SWITCH, High
9	102043	4	GROMMET, {PP:80102043}
10	84007881	1	CONDENSER,
11	120109	6	SCREW, {PP:80120109} Hex, M10 x 20, 8.8, Full Thd, M10x20
12	140045	7	WASHER, LOCK, {PP:80140045} Belleville, M10, 10MM
13	100016	5	NUT, {PP:80100016} M10, CI 8, M10
14	89850873	1	HOSE, FLEXIBLE, (15), FOR FX28-38-48 ONLY, BSN C229
14	84814638	1	HOSE, FLEXIBLE, , FOR FX28-38-48 ONLY, ASN D230
14	89850873	1	HOSE, FLEXIBLE, , FOR FX58 ONLY
15	9827060	4	O-RING, {PP:89827060}
16	381144	1	CLAMP, {PP:80381144}
17	9832539	1	RECEIVER-DRYER, {PP:89832539} , FOR FX28-38-48 ONLY, BSN C217
17	84058791	1	RECEIVER-DRYER, , FOR FX28-38-48 ONLY, ASN D218
17	84031407	1	RECEIVER-DRYER, , FOR SCANDINAVIE ONLY
17	9832539	1	RECEIVER-DRYER, {PP:89832539} , FOR FX58 ONLY
18	9819763	1	SUPPORT, {PP:89819763} , FOR FX28-38-48 ONLY, BSN C217
18	84438634	1	SUPPORT, , FOR FX28-38-48 ONLY, ASN D218
18	9819763	1	SUPPORT, {PP:89819763} , FOR FX58 ONLY
19	89850872	1	HOSE, FLEXIBLE, (15), BSN C217
19	84400803	1	HOSE, FLEXIBLE, , ASN D218



Ref	Part Number	Qty	Description
1	84056429	1	COMPRESSOR, AIR,
2	89835815	1	BELT, TRANSMISSION,
3	84014767	1	SUPPORT,
4	120044	3	BOLT, {PP:80120044} Short NK, M12 x 30, CI8.8, Full Thd, M12x30
5	394630	3	WASHER, {PP:80394630} 12MM
6	337475	3	NUT, {PP:80337475} M12, CI 10, M12
7	43140	4	BOLT, {PP:80043140} Hex, M10 x 30, 8.8, M10x30
8	140045	4	WASHER, LOCK, {PP:80140045} Belleville, M10, 10MM
9	100016	4	NUT, {PP:80100016} M10, CI 8, M10

WWW.KORMO.BY

06.24(01) ARMREST, RH



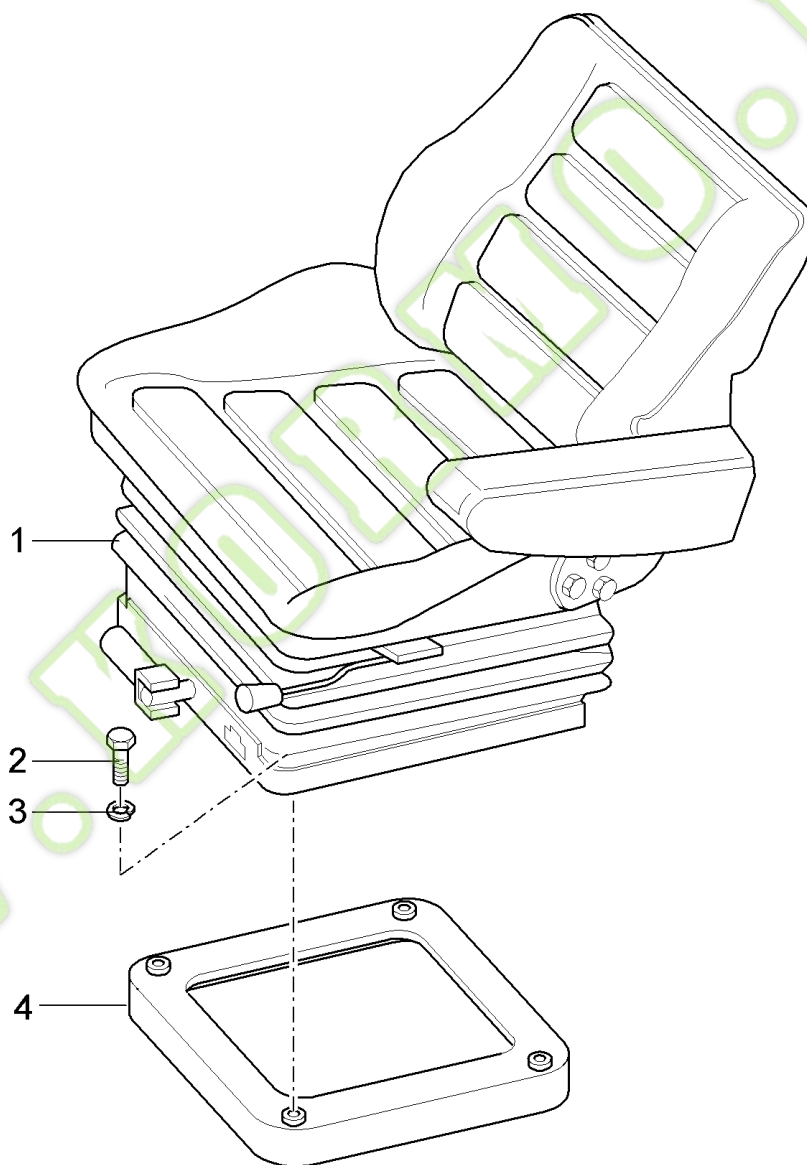
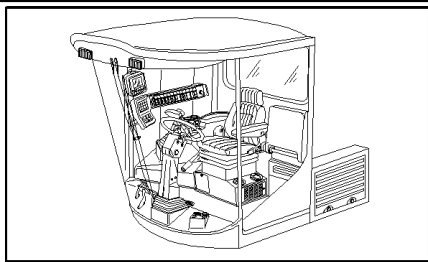
## FX48 SELF-PROPELLED FORAGE HARVESTER (9/98- )

06.24(01) ARMREST, RH

Ref	Part Number	Qty	Description
1	100015	3	NUT, {PP:80100015} M8, CI 8, M8
2	9831167	1	ARMREST, {PP:89831167}
3	9831042	2	HINGE, {PP:89831042}
4	E7NN94048N05AA	1	ASH TRAY, {PP:83961822}
5	9831404	1	CASE, {PP:89831404}
6	9819041	1	CLAMP, {PP:89819041}
7	9831564	1	SOFT TRIM, {PP:89831564}
8	412684	4	SCREW, {PP:80412684}
9	322357	6	WASHER, LOCK, {PP:80322357} Belleville, M6, Belleville, M6
10	412491	2	SCREW, {PP:80412491} M6x16
11	9706755	2	NUT, {PP:89706755} M6, CI 8, M6
12	9831401	1	COVER, {PP:89831401}
13	120109	2	SCREW, {PP:80120109} Hex, M10 x 20, 8.8, Full Thd, M10x20
14	140045	2	WASHER, LOCK, {PP:80140045} Belleville, M10,
15	100016	2	NUT, {PP:80100016} M10, CI 8, M10
17	9831402	1	SUPPORT, {PP:89831402}
18	448889	2	WASHER, {PP:80448889}
19	412475	4	SCREW, {PP:80412475} M4x16
20	322355	2	WASHER, LOCK, {PP:80322355} Belleville, M4,
21	100012	2	NUT, {PP:80100012} M4, CI 8, M4
22	322358	3	WASHER, LOCK, {PP:80322358} Belleville, M8,
23	84001403	1	PLATE,
16	16043224	1	SCREW, Hex, M8 x 16, 8.8, Full Thd, M8x16



06.25(01) SEAT

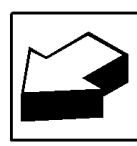
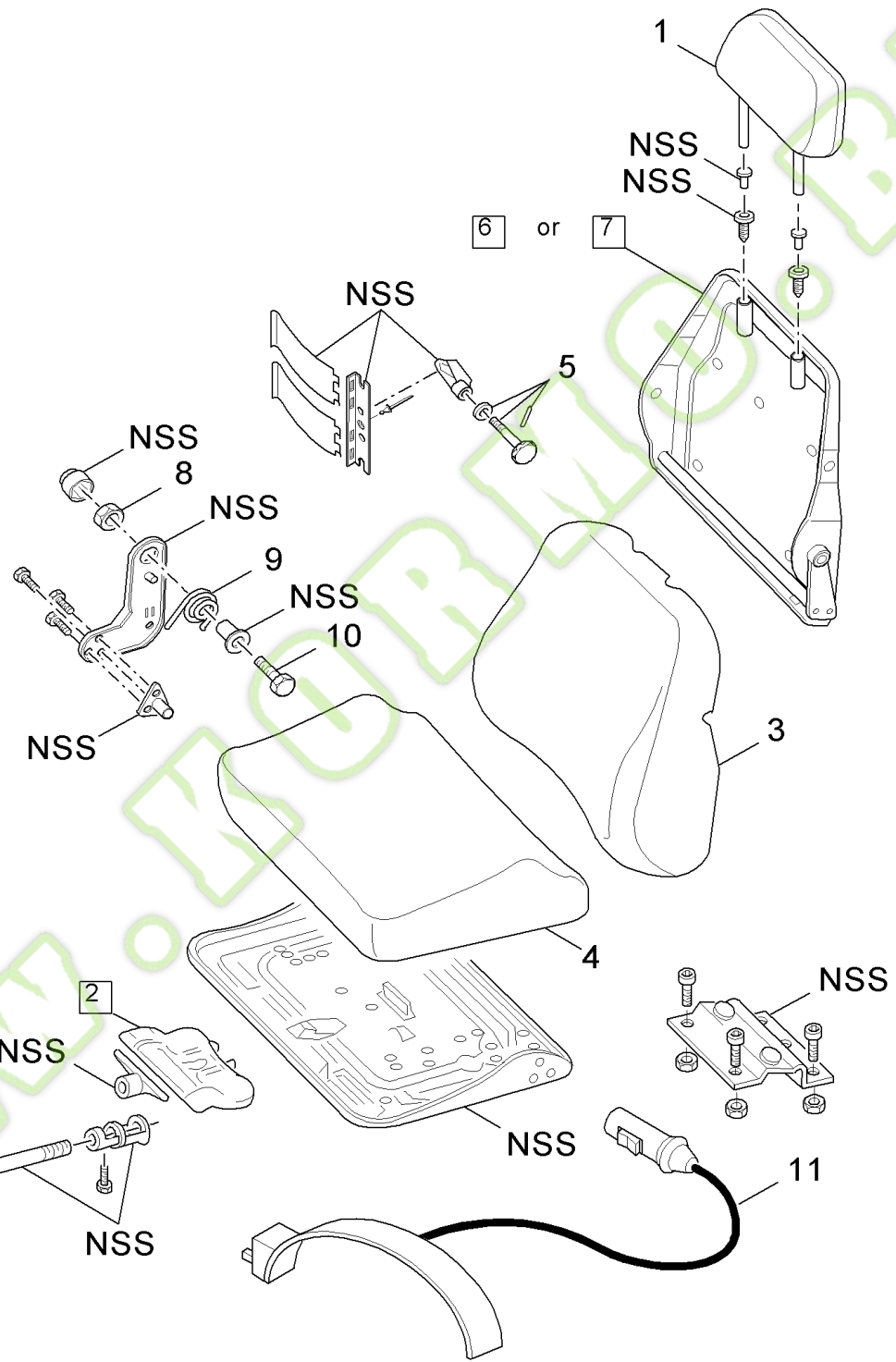
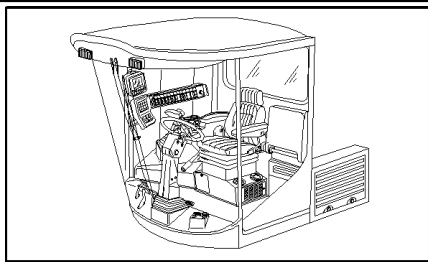


## 06.25(01) SEAT

Ref	Part Number	Qty	Description
1	84019911	1	SEAT, DRIVER, , INCL. FIGS. 6.26 TO 6.29
1	84019910	1	SEAT, DRIVER, , INCL. FIGS.6.26, 6.27 AND 6.30
2	120228	4	SCREW, {PP:80120228} Hex Soc Hd, M8 x 20, 8.8, M8x20
2	80120061	4	SCREW, M8x60
3	322358	4	WASHER, LOCK, {PP:80322358} Belleville, M8, 8MM
4	9594528	1	SUPPORT, {PP:89594528} Std

WWW.KORMO.BY

06.26(01) SEAT



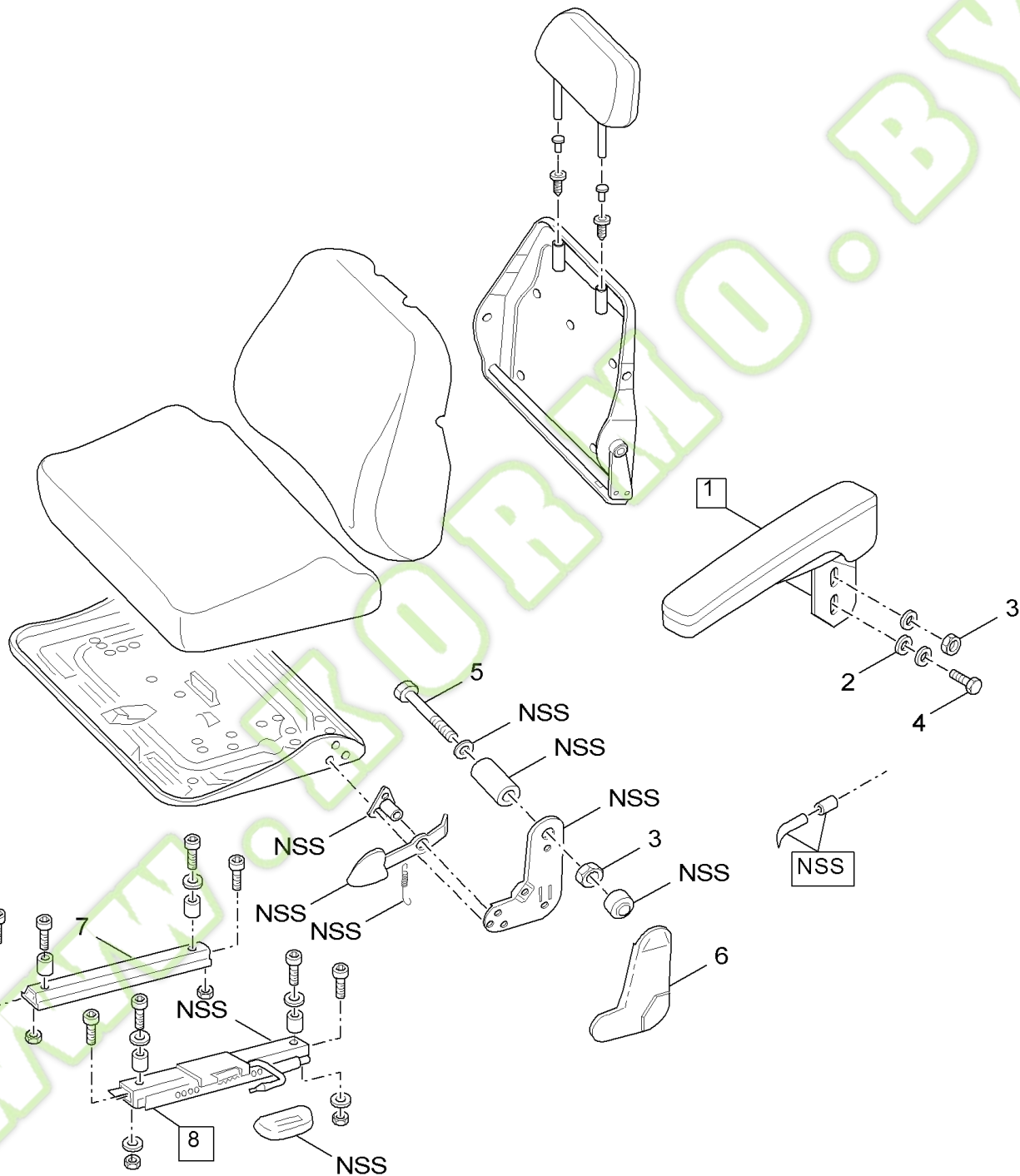
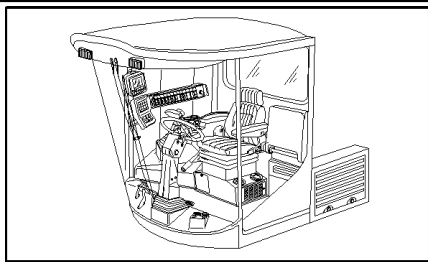
## FX48 SELF-PROPELLED FORAGE HARVESTER (9/98- )

06.26(01) SEAT

Ref	Part Number	Qty	Description
1	84021181	1	HEADREST, SEAT, , AIR SUSPENDED SEAT
2	84021182	1	PAD, ADJUSTING,
3	84021184	1	CUSHION, SEAT, , AIR SUSPENDED SEAT
3	84026495	1	CUSHION, SEAT, , STANDARD SEAT
4	84026496	1	CUSHION, SEAT, , STANDARD SEAT
4	84026497	1	CUSHION, SEAT, , AIR SUSPENDED SEAT
5	84021188	1	SCREW,
6	84021187	1	SUPPORT, , STANDARD SEAT
7	84021189	1	SUPPORT, (6), AIR SUSPENDED SEAT
8	100067	1	NUT, {PP:80100067} M8 x 1.25", CI 8, M8
9	84021190	1	SPRING,
10	300381	1	SCREW, {PP:80300381} Hex, M8 x 35, 8.8, M8x35
11	84026499	1	SWITCH,

WWW.KORMO.BY

06.27(01) SEAT



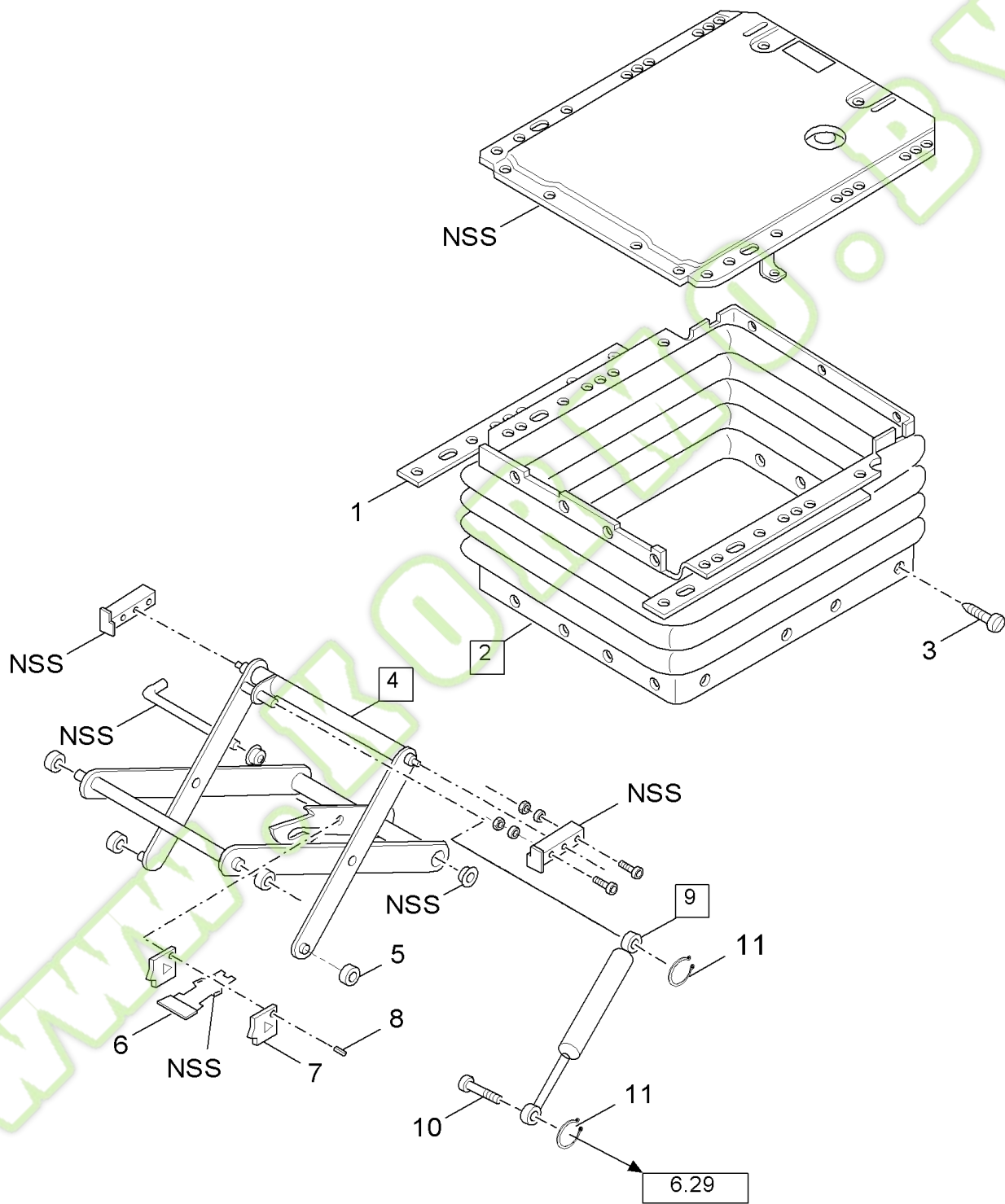
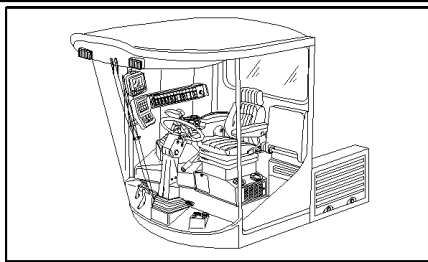
## FX48 SELF-PROPELLED FORAGE HARVESTER (9/98- )

06.27(01) SEAT

Ref	Part Number	Qty	Description
1	84017114	1	ARMREST, (2 to 4)
2	412228	3	WASHER, {PP:80412228}
3	100067	2	NUT, {PP:80100067} M8 x 1.25", CI 8, M8
5	300381	1	SCREW, {PP:80300381} Hex, M8 x 35, 8.8, M8x35
6	84005802	1	COVER,
7	84021191	1	PROFILE,
8	84021195	1	PROFILE,
4	16043224	1	SCREW, Hex, M8 x 16, 8.8, Full Thd, M8x16

WWW.KORMO.BY

06.28(01) SEAT



FOR STANDARD SEAT ONLY

FX48 SELF-PROPELLED FORAGE HARVESTER (9/98- )

06.28(01) SEAT

Ref	Part Number	Qty	Description
1	446927	2	PLATE, {PP:80446927}
2	84021192	1	BELLOWS, (1,3)
3	446914	22	PLUG, {PP:80446914}
4	84021193	1	ADJUSTER, (5 to 8)
5	446921	4	ROLLER, {PP:80446921}
6	446924	1	PLATE, {PP:80446924}
7	446922	2	PLATE, {PP:80446922}
8	446925	1	SHAFT, {PP:80446925}
9	84021196	4	DAMPER, (10,11)
10	412515	1	BOLT, {PP:80412515}
11	412516	2	CIRCLIP, {PP:80412516}

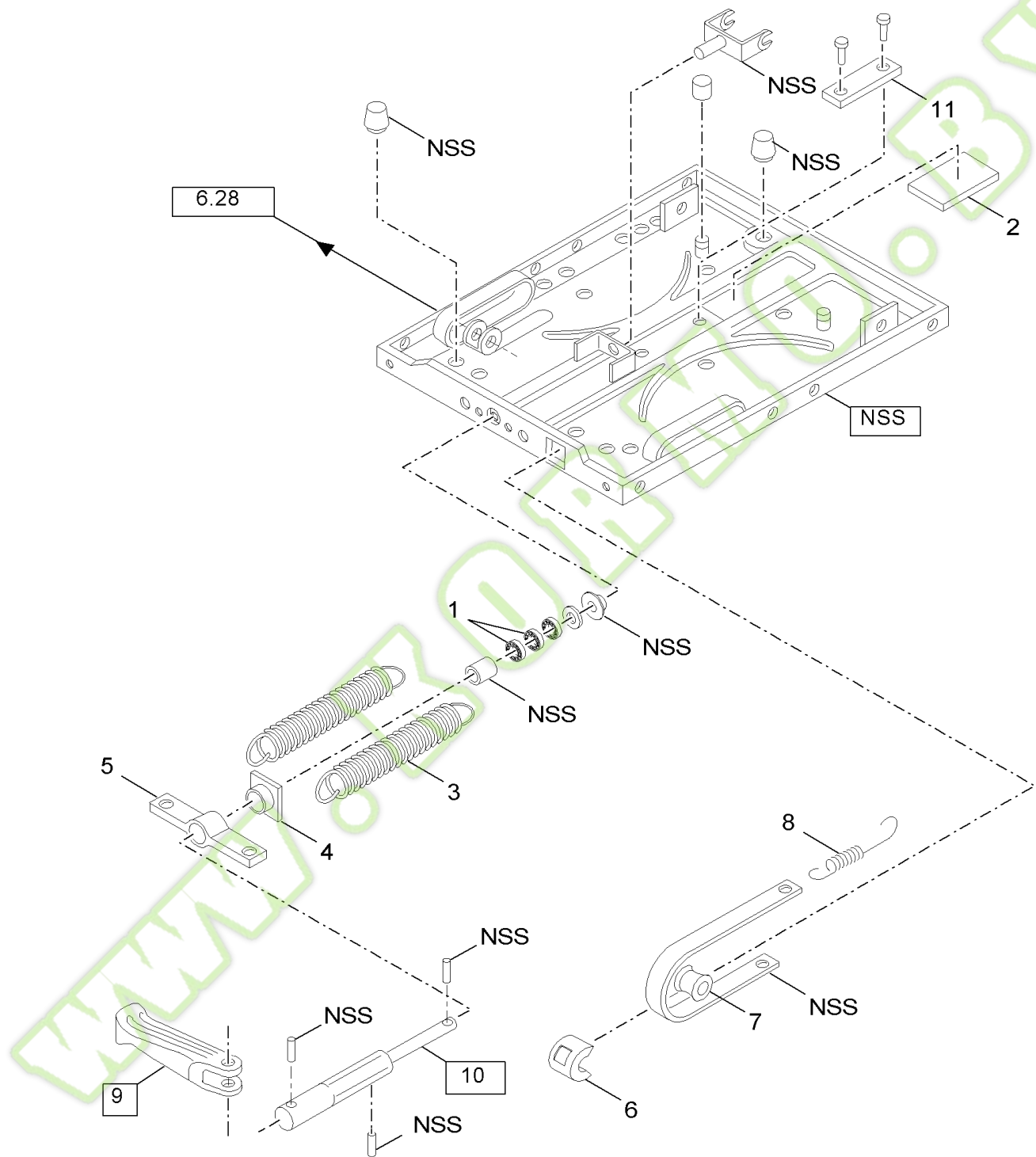
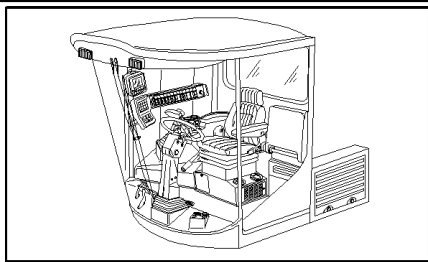
WWW.KORMO.BY

FOR STANDARD SEAT ONLY





06.29(01) SEAT



FOR STANDARD SEAT ONLY

FX48 SELF-PROPELLED FORAGE HARVESTER (9/98- )

06.29(01) SEAT

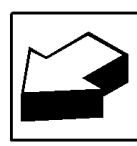
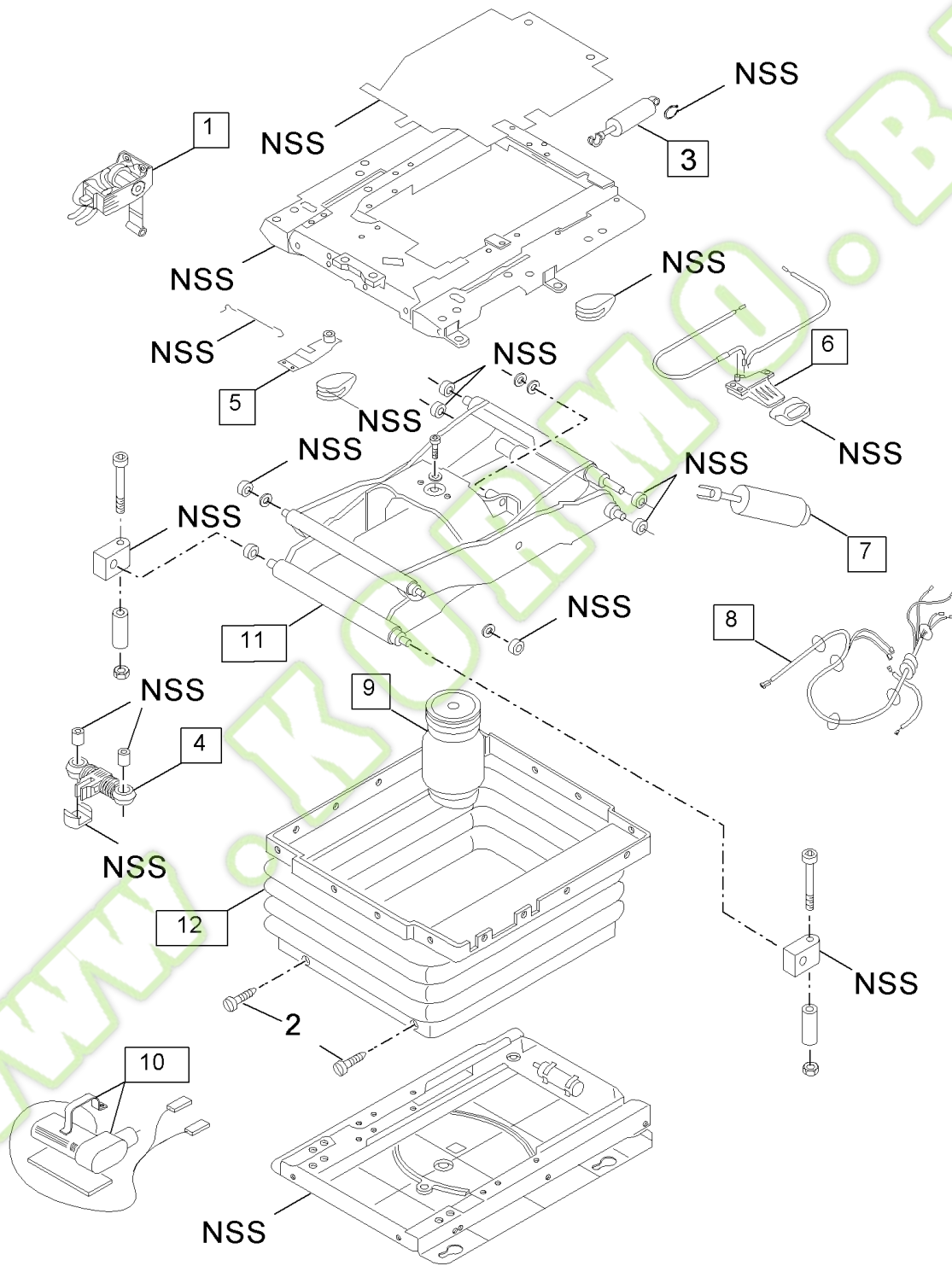
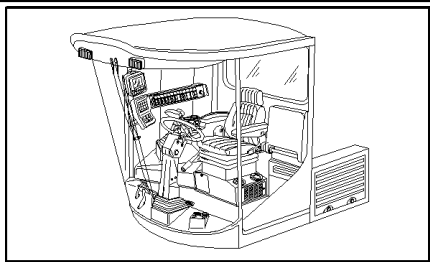
Ref	Part Number	Qty	Description
1	446943	1	BEARING ASSY, {PP:80446943}
2	446932	1	PLATE, {PP:80446932}
3	84021197	2	SPRING,
4	412520	1	COLLAR, {PP:80412520}
5	446942	1	BRACKET, {PP:80446942}
6	446935	1	CAP, {PP:80446935}
7	446936	1	ROLLER, {PP:80446936}
8	446937	1	SPRING, {PP:80446937}
9	84021198	1	HANDLE,
10	84021199	1	SCREW, (9)
11	446931	1	PLATE, {PP:80446931}

WWW.KORMO.BY

FOR STANDARD SEAT ONLY



06.30(01) AIR SUSPENDED SEAT

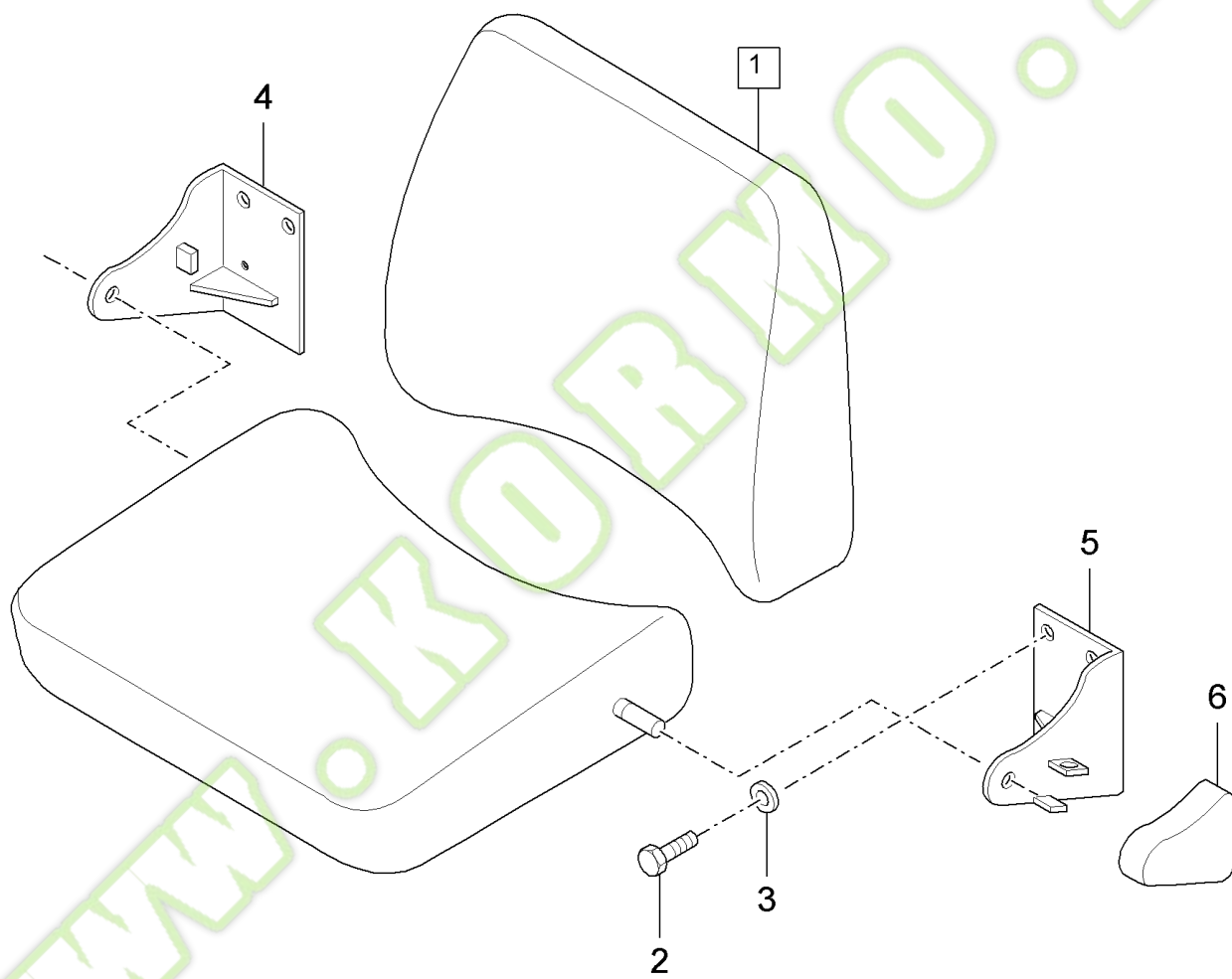
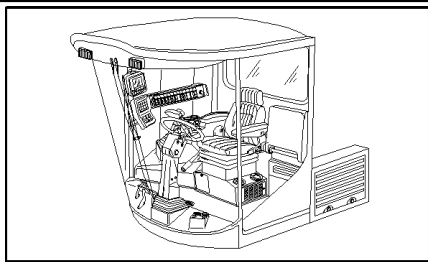


## 06.30(01) AIR SUSPENDED SEAT

Ref	Part Number	Qty	Description
1	84021200	1	ADJUSTER,
2	446914	24	PLUG, {PP:80446914}
3	84021202	1	DAMPER, (2)
4	84021203	1	PLATE, (2)
5	84021204	1	PLATE,
6	84021205	1	ADJUSTER, (2)
7	84026498	1	DAMPER, (2)
8	84021208	1	CABLE,
9	84021209	1	COMPRESSOR, SPRING, (2)
10	84021210	1	COMPRESSOR, AIR, (2)
11	84021211	1	ADAPTER, (2)
12	84021212	1	BELLOWS, (2)

WWW.KORMO.BY

06.31(01) BUDDY SEAT

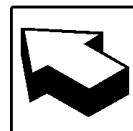
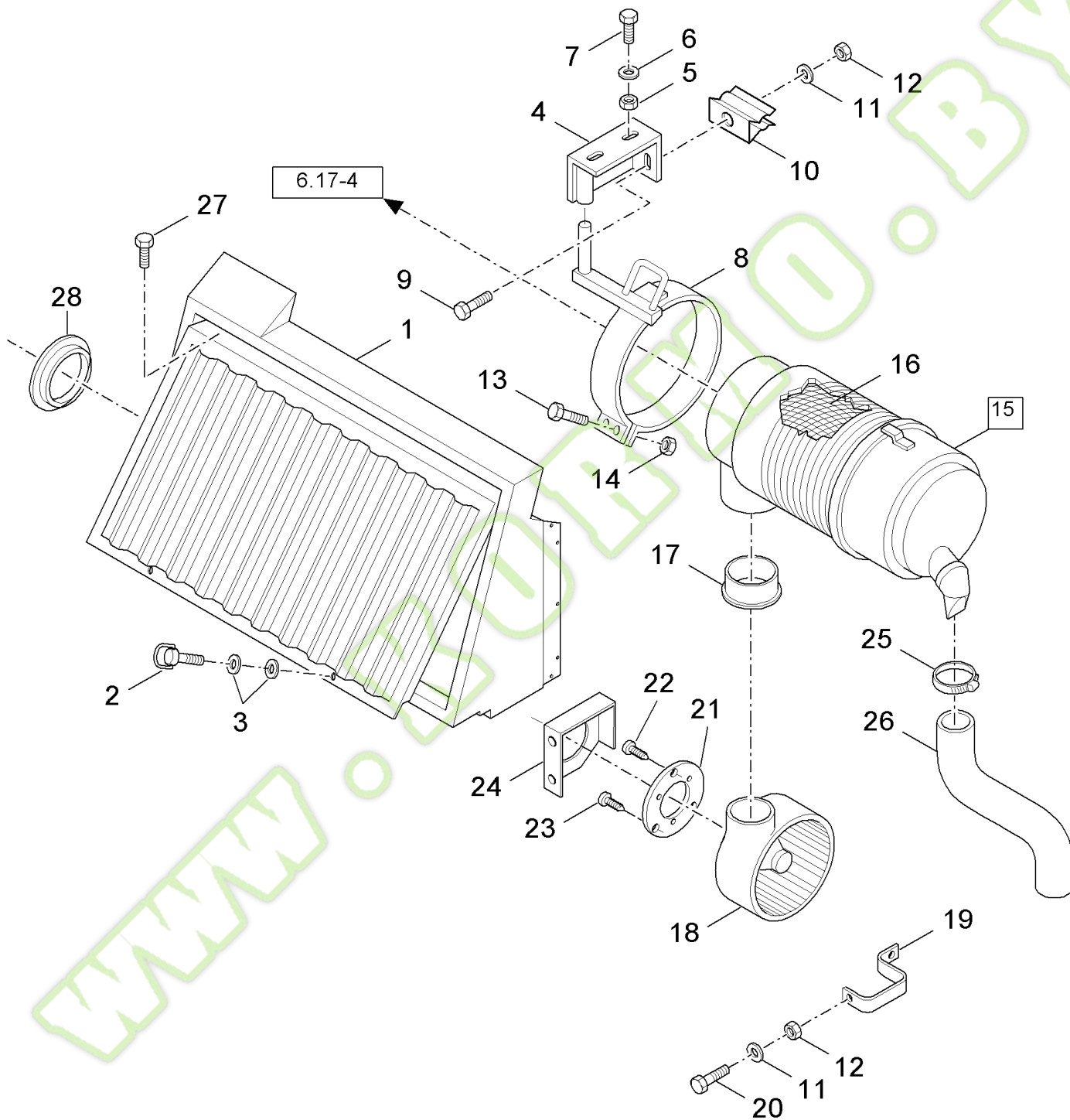
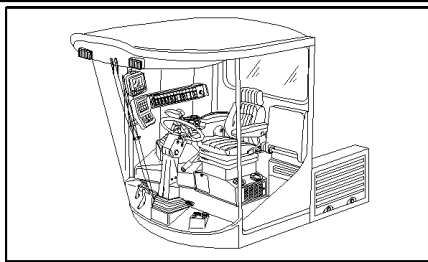


## 06.31(01) BUDDY SEAT

Ref	Part Number	Qty	Description
1	84015303	1	SEAT, PASSENGER,
2	43127	4	BOLT, {PP:80043127} Hex, M8 x 25, 8.8, M8x25
3	322358	4	WASHER, LOCK, {PP:80322358} Belleville, M8, 8MM
4	84037866	1	PLATE, RH
5	84037867	1	PLATE, LH
6	84037868	1	COVER,

WWW.KORMO.BY

06.32(01) FILTER



## FX48 SELF-PROPELLED FORAGE HARVESTER (9/98- )

## 06.32(01) FILTER

Ref	Part Number	Qty	Description
1	84068749	1	PANEL, BOXED, , BSN C173
1	84400206	1	PANEL, BOXED, , ASN D174
2	89819681	2	TAB, LOCKING,
3	84000656	4	RING,
4	84002840	1	SUPPORT,
5	89706690	2	NUT, CL 8, M8 x 1.25 x 13.0
6	322358	2	WASHER, LOCK, {PP:80322358} Belleville, M8, 8MM
7	86507486	2	BOLT (CARRIAGE), Short NK, M8 x 20, Cl8.8, Full Thd, M8x20
8	84002841	1	SUPPORT,
9	86511831	1	SCREW, Cross Pan Hd, M6 x 25, M6x25
10	84035664	1	CLIP,
11	412649	3	WASHER, LOCK, {PP:80412649} Belleville, M6, Belleville, M6
12	9706755	3	NUT, {PP:89706755} M6, Cl 8, M6
13	43128	2	SCREW, {PP:80043128} Hex, M8 x 30, 8.8, Cap, HH, CL 8.8, M8 x 1.25 x 30
14	43442	2	NUT, {PP:80043442} M8 x 1.25", Cl 8, M8
15	84036675	1	FILTER, (16)
16	84036676	1	FILTER, ELEMENT,
17	84002842	1	RING,
18	84056300	1	BLOWER,
19	84045782	1	CLAMP,
20	86508568	2	SCREW, Hex, M6 x 16, 8.8, M6x16
21	84043303	1	RING,
22	84043238	4	SCREW,
23	84043237	3	SCREW,
24	84002837	1	SUPPORT,
25	360747	1	CLAMP, {PP:80360747}
26	84039471	1	HOSE,
27	331233	2	PLUG, {PP:80331233}
28	84045349	1	PLUG,



SECTIONS

SECTIONS

SECCIONES

AFSNIT

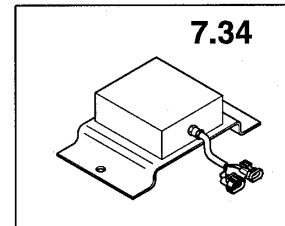
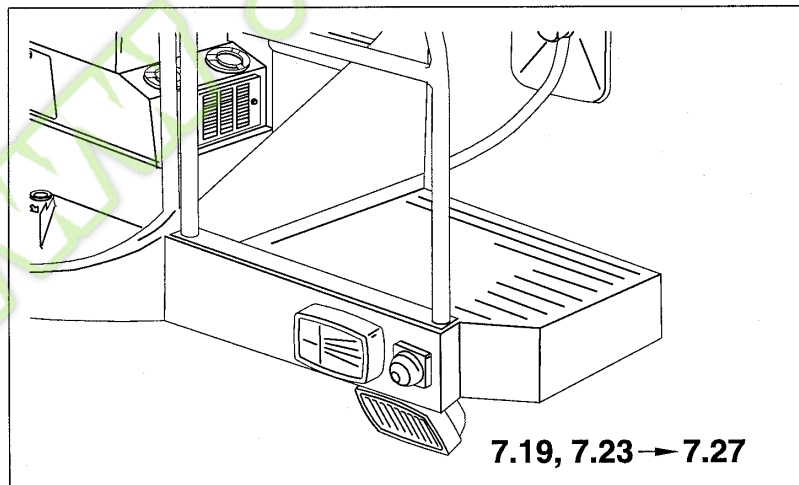
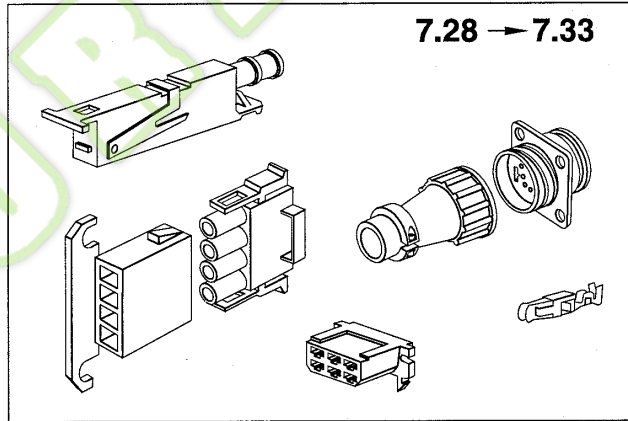
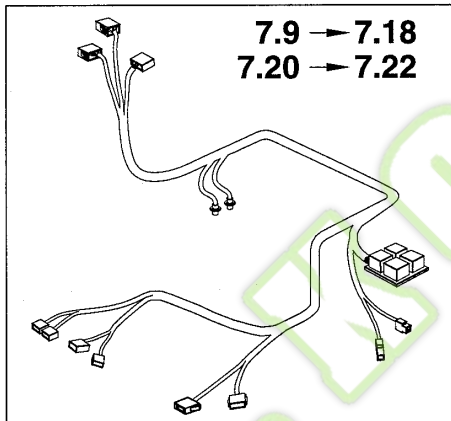
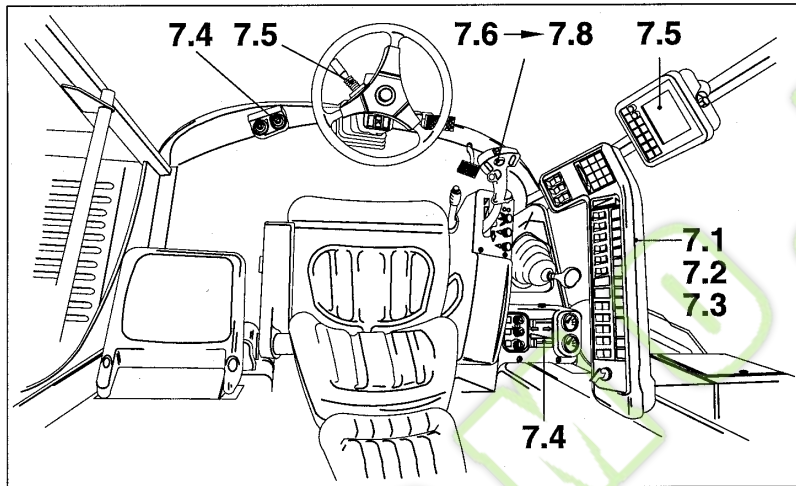
SEZIONI

ABSCHNITTE

SECÇÕES

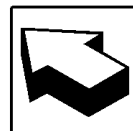
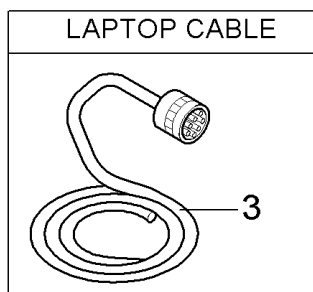
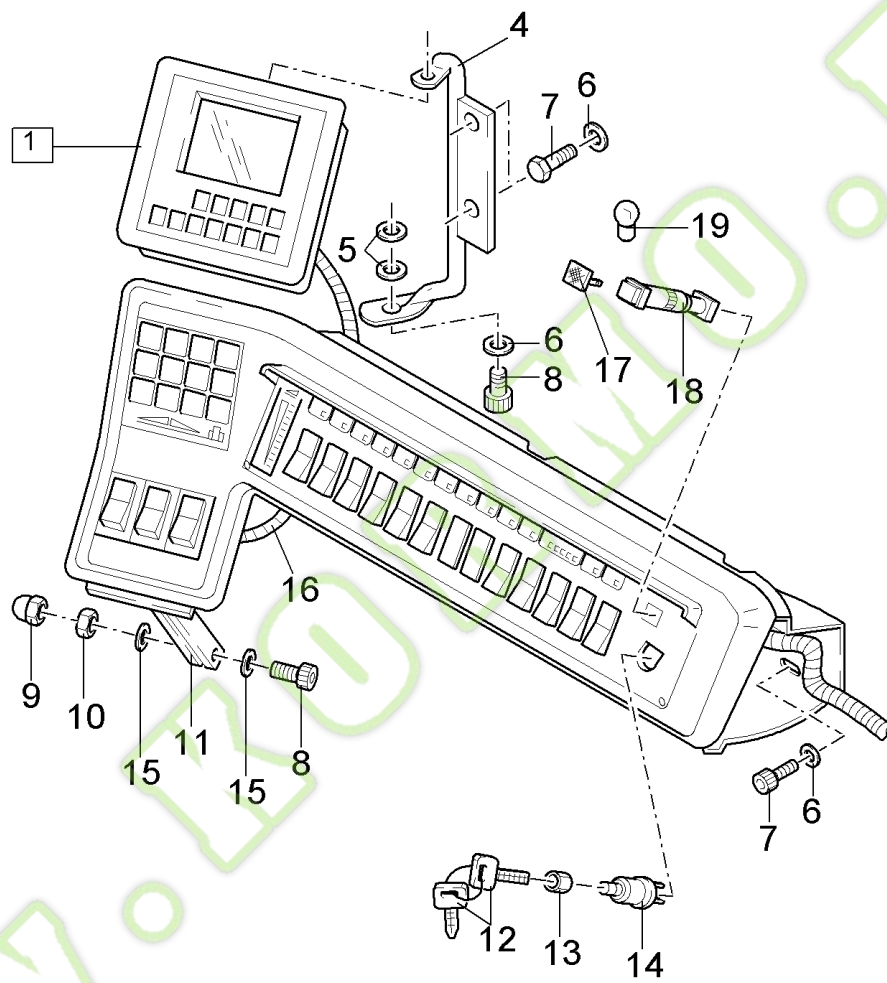
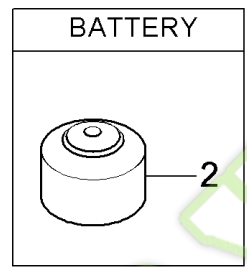
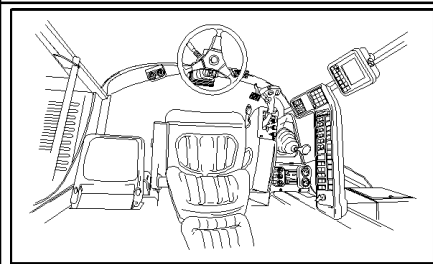
SECTIES

**SEC. 7**



Ref	Part Number	Qty	Description
<p>WWW.KORMO.BY</p>			

07.01(01) INSTRUMENT PANEL AND WIRING LOOM

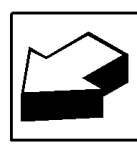
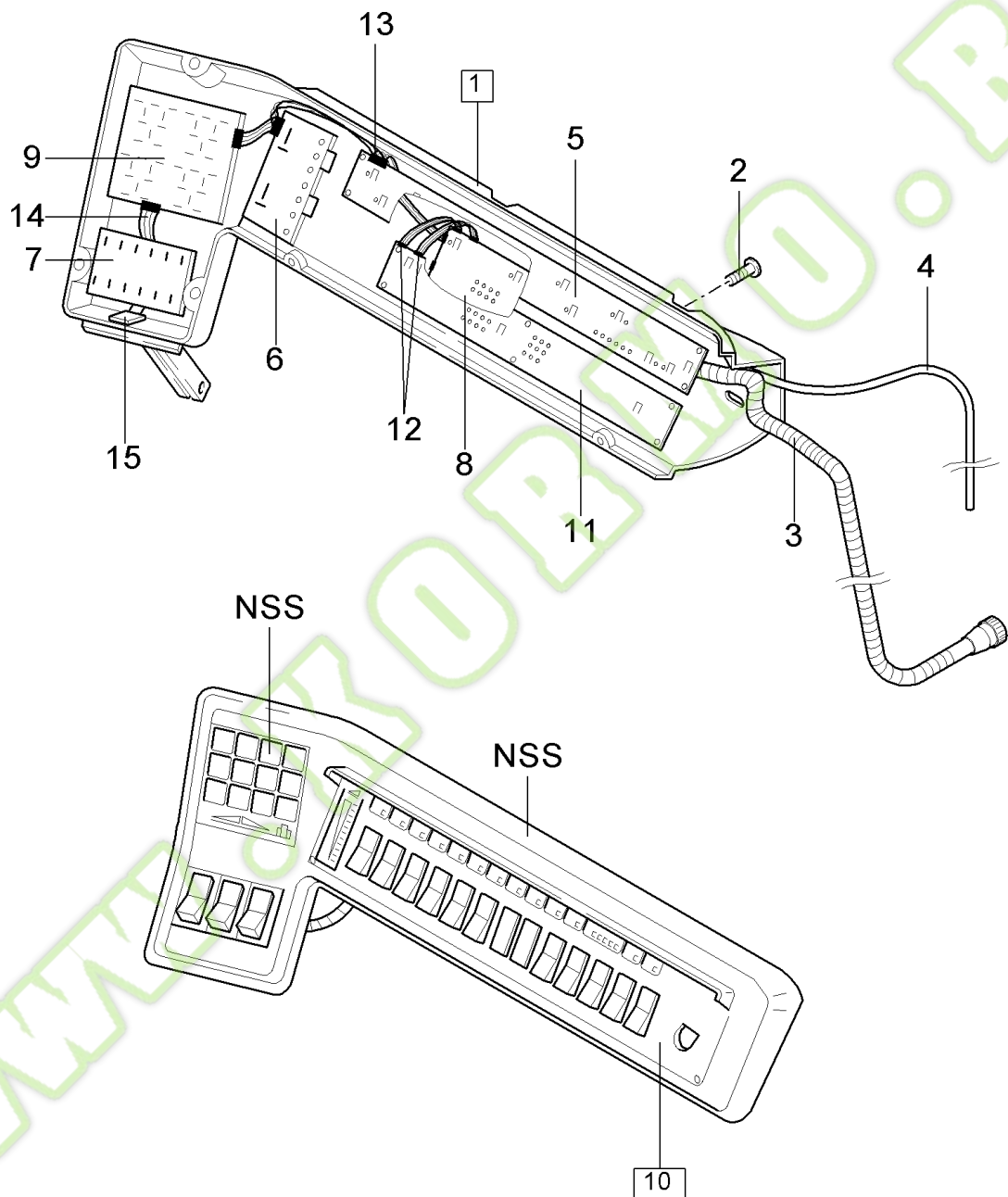
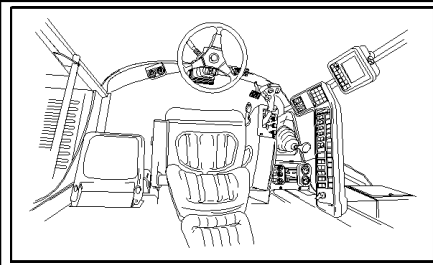


## FX48 SELF-PROPELLED FORAGE HARVESTER (9/98- )

## 07.01(01) INSTRUMENT PANEL AND WIRING LOOM

Ref	Part Number	Qty	Description
1	84002739	1	MONITOR, CONTROL, (2)
2	84056021	1	BATTERY, DRY,
3	84023802	1	CABLE, Electric
4	9832284	1	SUPPORT, {PP:89832284}
5	9819099	4	WASHER, {PP:89819099}
6	448889	5	WASHER, {PP:80448889}
7	412491	5	SCREW, {PP:80412491} M6x16
8	84007540	4	SCREW, M6x25
9	747881	2	NUT, {PP:80747881}
10	9706755	2	NUT, {PP:89706755} M6, CI 8, M6
11	9812186	1	SUPPORT, {PP:89812186}
12	E9NN11603AB	2	KEY, IGNITION, {PP:81877351}
13	D4NN11N496A	1	NUT, {PP:83903198}
14	E8NN11N572AB	1	SWITCH, IGNITION, {PP:81876627}
15	84007539	2	WASHER, 6MM
16	84032301	1	CABLE,
17	84037377	1	LENS, , FOR CENTRAL LUBRICATION ONLY
18	84039175	1	SWITCH, (19), FOR CENTRAL LUBRICATION ONLY
19	84037356	1	BULB, , FOR CENTRAL LUBRICATION ONLY

07.02(01) INSTRUMENT PANEL AND WIRING LOOM



FOR COMPLETE INSTRUMENT PANEL: ORDER FRONT INSTRUMENT PANEL, BACK COVERING AND CABLE HARNESS

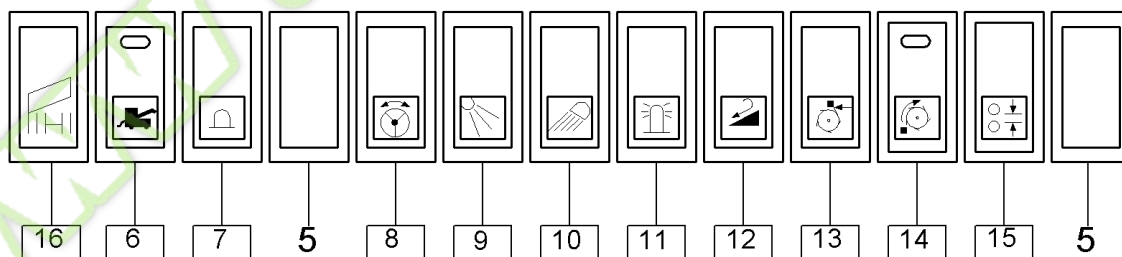
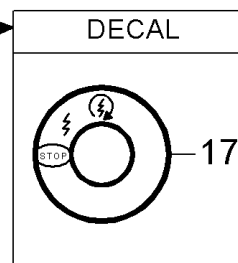
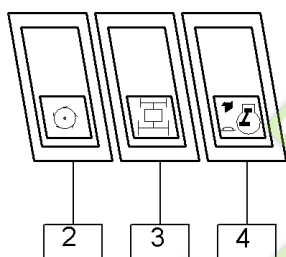
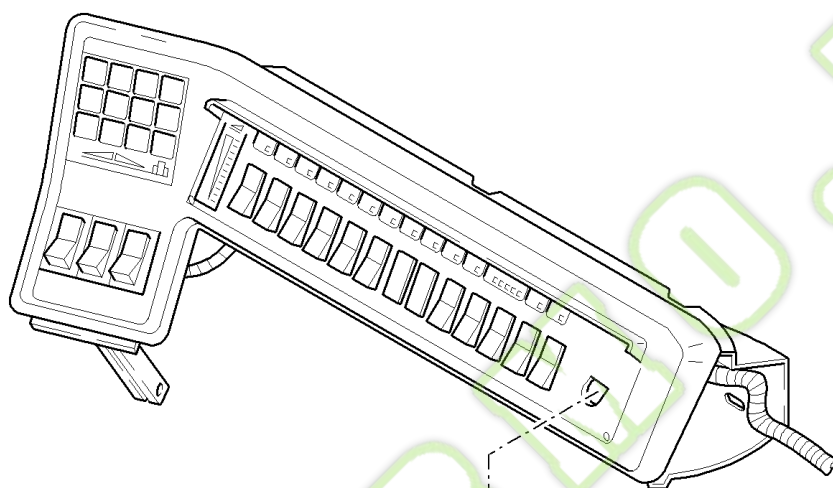
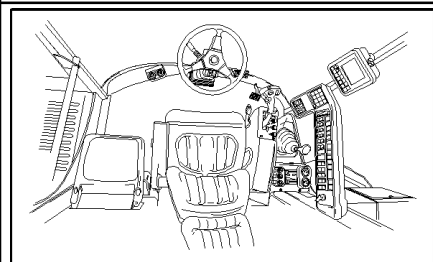
## FX48 SELF-PROPELLED FORAGE HARVESTER (9/98- )

## 07.02(01) INSTRUMENT PANEL AND WIRING LOOM

Ref	Part Number	Qty	Description
1	84001897	1	COVER, Rear [7.1(16),15]
2	412475	9	SCREW, {PP:80412475} M4x16
3	84057109	1	HARNESS, WIRE,
4	9850332	1	CABLE, {PP:89850332} L=6M
4	84053876	1	CABLE, L=8M
5	84036151	1	BOARD, PRINTED CIRCUIT, Leds
6	84036152	1	BOARD, PRINTED CIRCUIT, Header
7	84019560	1	BOARD, PRINTED CIRCUIT, 3 Switches
8	84036154	1	BOARD, PRINTED CIRCUIT, Cpu
9	84036153	1	BOARD, PRINTED CIRCUIT, Aom
10	84037142	1	PANEL, INSTRUMENTS, Front, INCL. REFS. 5 TO 9,11 TO 14 AND FIGS. 7.3
11	84036150	1	BOARD, PRINTED CIRCUIT, Switches
12	84037738	1	CABLE, ELECTRIC,
13	84037739	1	CABLE, ELECTRIC,
14	84037737	1	CABLE, ELECTRIC,
15	84037745	1	CABLE, ELECTRIC, RS232

FOR COMPLETE INSTRUMENT PANEL: ORDER FRONT INSTRUMENT PANEL, BACK COVERING AND CABLE HARNESS

07.03(01) INSTRUMENT PANEL AND WIRING LOOM



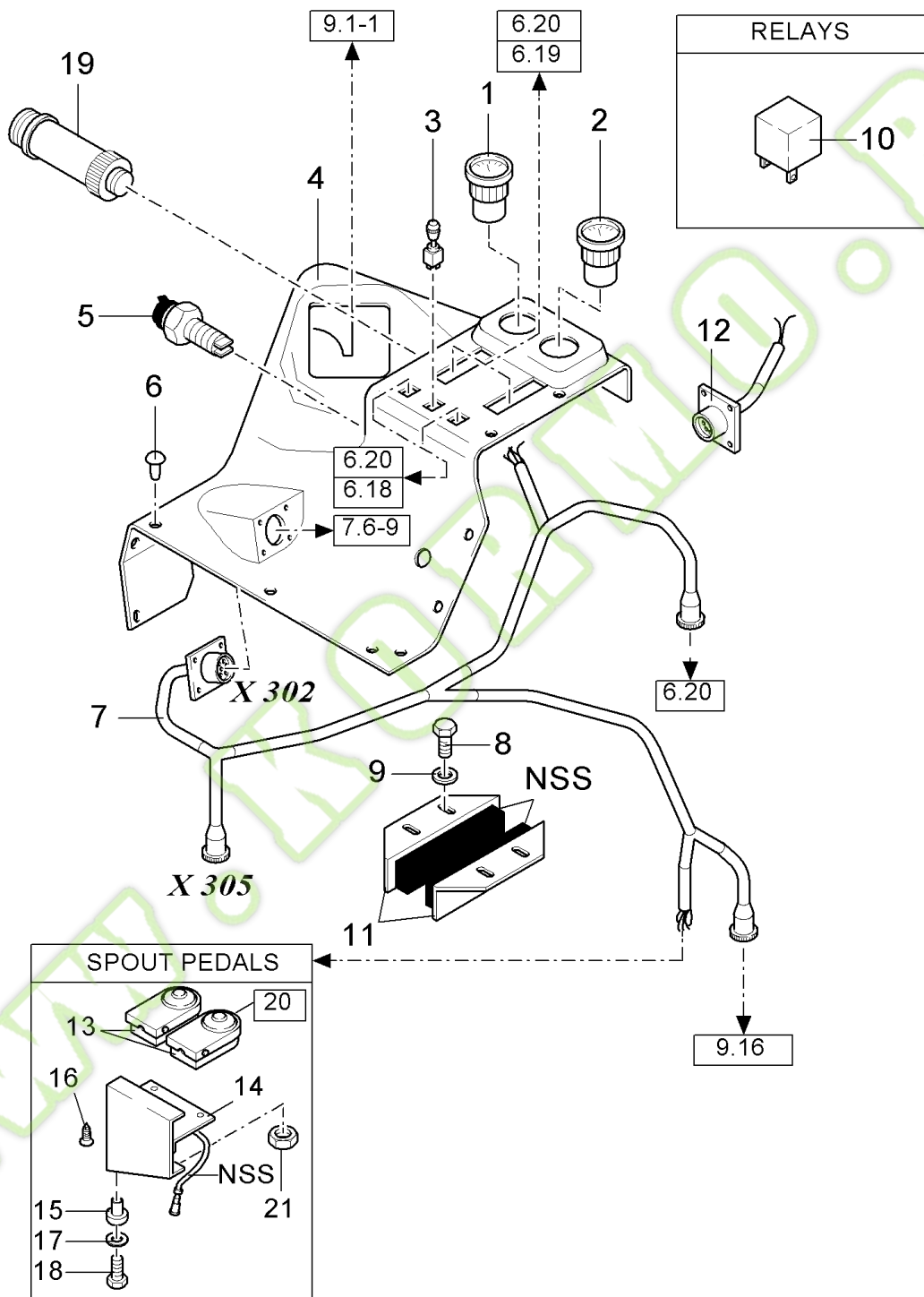
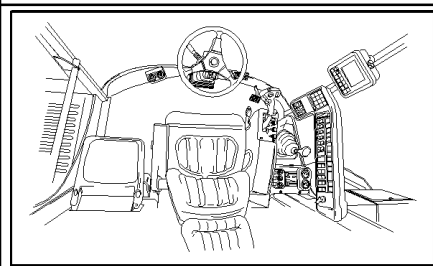
## FX48 SELF-PROPELLED FORAGE HARVESTER (9/98- )

## 07.03(01) INSTRUMENT PANEL AND WIRING LOOM

Ref	Part Number	Qty	Description
1	84017423	AR	BULB, 1.2W-12V
2	84019743	1	SWITCH, ASSY, (1)Drive cutterhead
3	84019742	1	SWITCH, ASSY, (1)4-Wheel drive
4	84019741	1	SWITCH, ASSY, (1)RPM
5	9504368	AR	PLUG, {PP:89504368}
6	84021351	1	SWITCH, HARVEST ROAD, (1)Harvest Road
7	84019739	1	SWITCH, ASSY, (1)Metal detector
8	84019738	1	SWITCH, ASSY, (1)Auto-pilot
9	84019737	1	SWITCH, ASSY, (1)Silage
10	84019736	1	SWITCH, LIGHTS, (1)Lights
11	84019735	1	SWITCH, ASSY, (1)Flashlight
12	84021613	1	SWITCH, ASSY, (1)Reverse mech.
13	84019734	1	SWITCH, ASSY, (1)Adjust-o-matic
14	84019733	1	SWITCH, ASSY, (1)Reverse cutterhead
15	84019732	1	SWITCH, ASSY, (1)Roll adj.
16	84043203	1	SWITCH, ASSY, (1)High capacity hydr.
17	84002722	1	DECAL, , FOR NA ONLY



07.04(01) INSTRUMENT PANEL

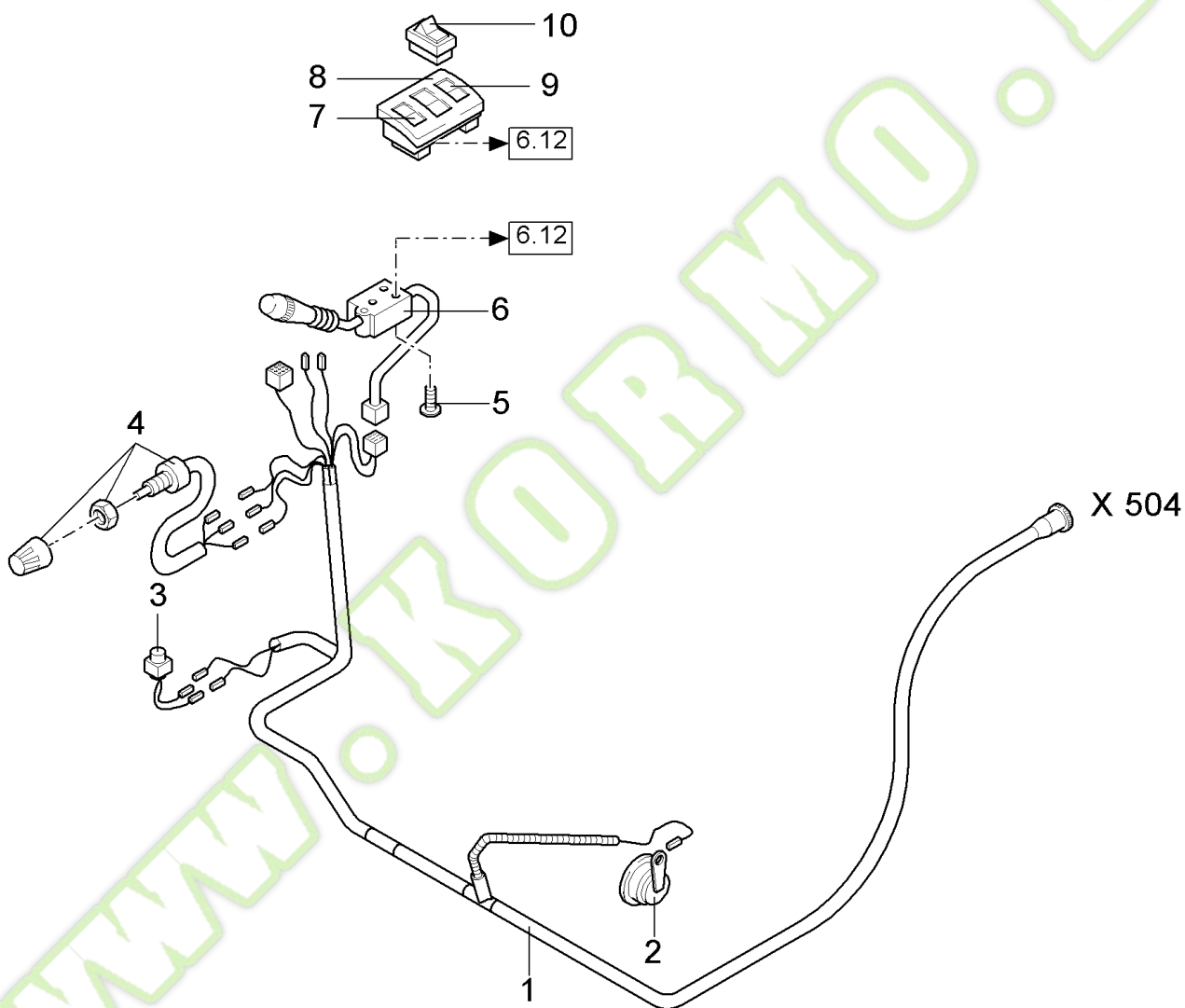
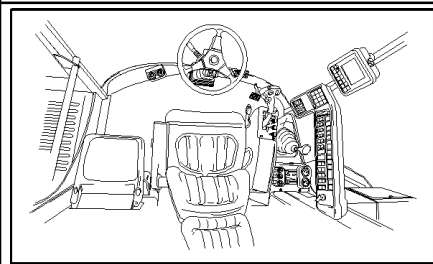


## FX48 SELF-PROPELLED FORAGE HARVESTER (9/98- )

## 07.04(01) INSTRUMENT PANEL

Ref	Part Number	Qty	Description
1	9837115	1	GAUGE, LEVEL, {PP:89837115} Water
2	9837116	1	GAUGE, LEVEL, {PP:89837116} Fuel level
3	9850817	1	SWITCH, FAN, {PP:89850817} Cab fan
4	9818587	1	CASE, {PP:89818587} Gearshift
5	374418	1	SOCKET, POWER, {PP:80374418}
6	446914	AR	PLUG, {PP:80446914}
7	84002995	1	HARNESS, WIRE,
8	80120099	4	SCREW, Hex, M6 x 16, 8.8, M6x16
9	140015	4	WASHER, {PP:80140015} 6MM
10	84000651	2	RELAY,
11	84000548	2	SUPPORT,
12	450051	1	ALARM, {PP:80450051}
13	9833626	2	PEDAL, {PP:89833626}
14	84001175	1	SUPPORT,
15	322357	2	WASHER, LOCK, {PP:80322357} Belleville, M6, Belleville, M6
16	9850737	4	SCREW, {PP:89850737}
17	140040	3	WASHER, {PP:80140040} M6 x 22 x 2, 6MM
18	120100	3	BOLT, {PP:80120100} Hex, M6 x 20, 8.8, M6x20
19	84038796	1	LIGHTER, CIGARETTE, , FOR NA ONLY
20	84050467	1	PEDAL, (13,14,16), BSN C233
20	84814772	1	PEDAL, (13), ASN D234
21	353068	3	NUT, {PP:80353068}

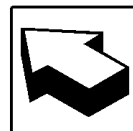
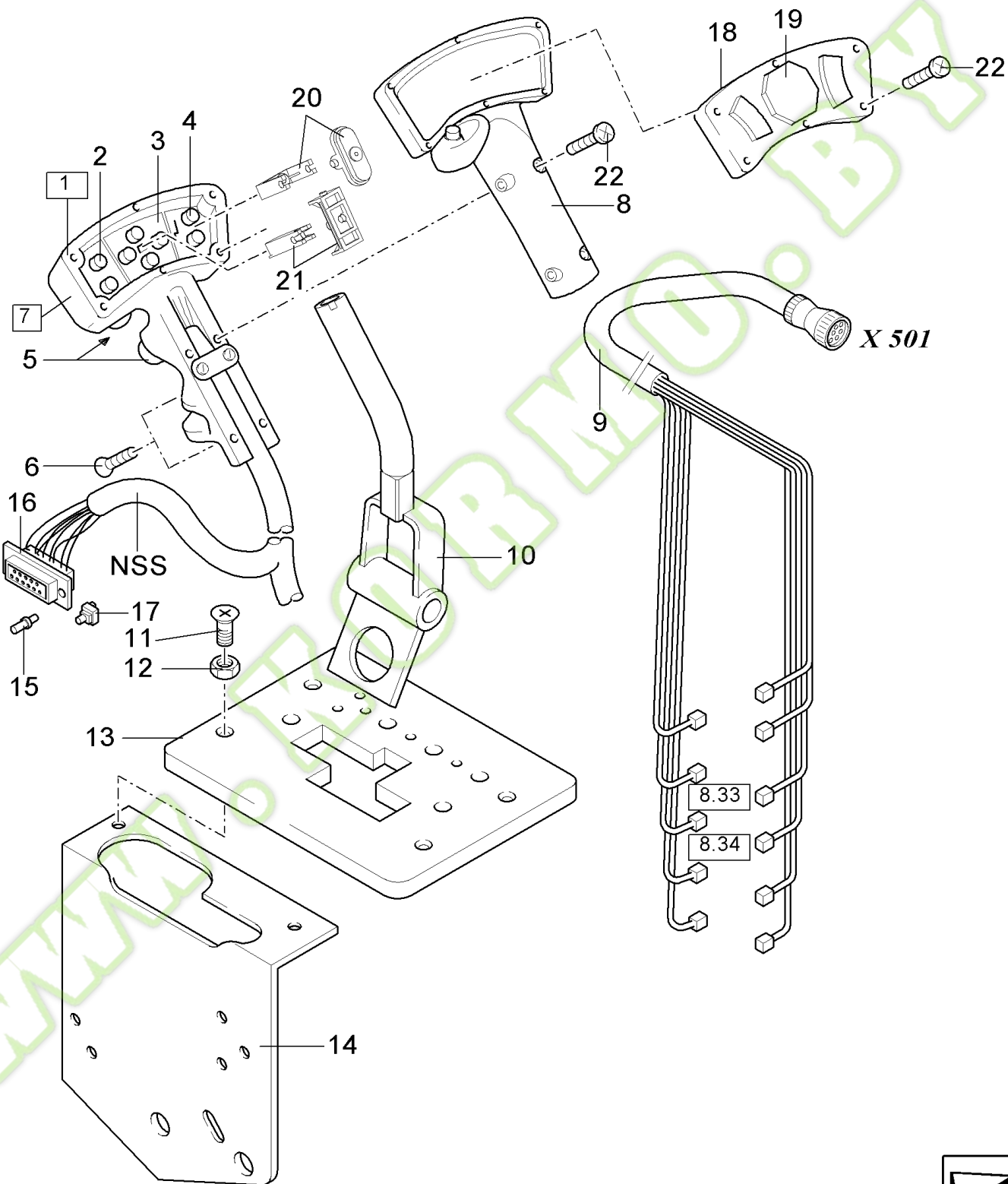
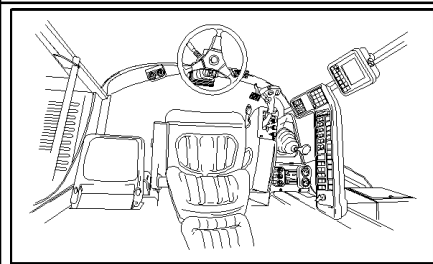
07.05(01) WIRING LOOM, STEERING COLUMN



Ref	Part Number	Qty	Description
1	84057110	1	HARNESS, WIRE,
1	84057126	1	HARNESS, WIRE, , FOR NA ONLY
2	80354374	1	HORN,
3	89617222	1	SWITCH,
4	89617220	1	POTENTIOMETER,
5	280154	3	SCREW, SELF TAPPING, {PP:80280154} Cross Rd Hd, #6 x 1/2", M6x.50"
6	84014920	1	SWITCH, ASSY,
7	9817520	1	LAMP, {PP:89817520}
8	84014917	1	PLATE, COVER,
9	84021299	1	LAMP,
10	89817432	1	SWITCH, FLASHER,
10	84014314	1	SWITCH, ASSY, , FOR NA ONLY

WWW.KORMO.BY

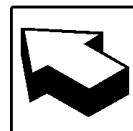
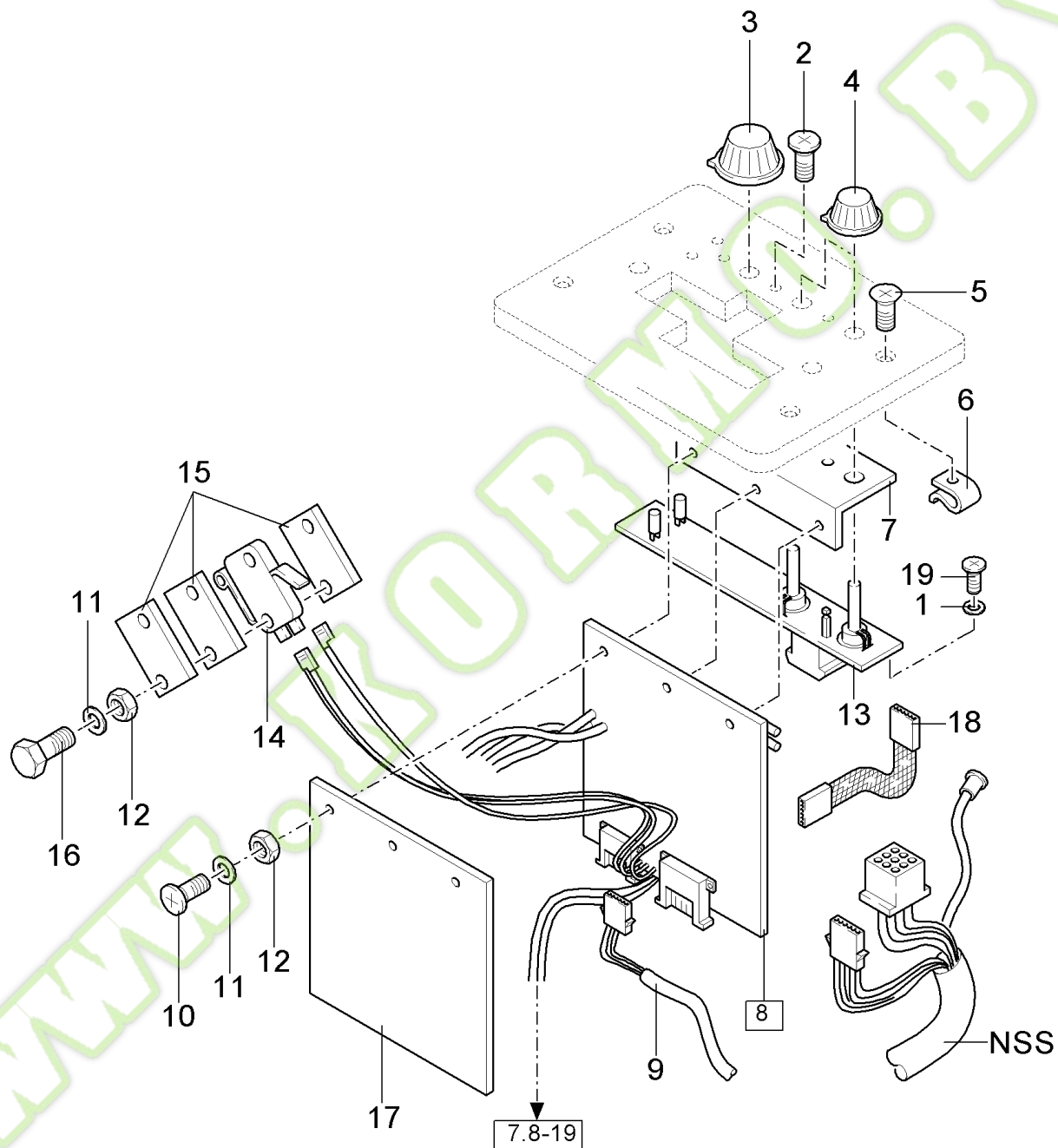
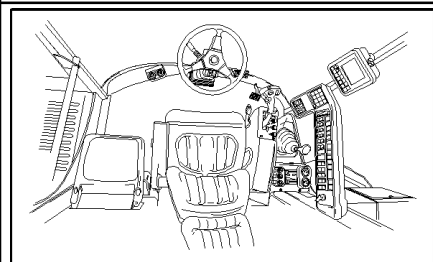
07.06(01) CONTROL LEVER FOR HYDRAULICS



## FX48 SELF-PROPELLED FORAGE HARVESTER (9/98- )

## 07.06(01) CONTROL LEVER FOR HYDRAULICS

Ref	Part Number	Qty	Description
1	84004941	1	HANDLE, CRANKED, (1 to 14,18 to 21)
2	84022672	1	BOARD, PRINTED CIRCUIT, , INCLUDING SWITCHES
3	84022673	1	BOARD, PRINTED CIRCUIT, , INCLUDING SWITCHES
4	84022675	1	BOARD, PRINTED CIRCUIT, , INCLUDING SWITCHES
5	84022674	2	SWITCH, ASSY,
6	89819756	2	SCREW, M4x8
7	9833098	1	HANDLE, {PP:89833098} (2 to 10,18,19)
8	84017914	1	COVER, , INCLUDING SWITCHES
9	84057096	1	HARNESS, WIRE, , WITH REAR OUT HYDRAULICS
9	84057097	1	HARNESS, WIRE,
10	84017665	1	HANDLE,
11	374897	4	SCREW, {PP:80374897} Hex Flat Hd, M8 x 25, 4.8, M8x25
12	100067	2	NUT, {PP:80100067} M8 x 1.25", CI 8, M8
13	84017666	1	COVER,
14	9819972	1	SUPPORT, {PP:89819972}
15	84018300	20	CONNECTOR, HYD.,
16	84018301	1	BLOCK, CONNECTING,
17	84018302	1	KIT,
18	84032398	1	KNOB,
19	84032396	1	SET OF PARTS, , ALL DECALS ARE INCLUDED, 6 PIECES
20	84058336	1	LEVELLING DEVICE,
21	84058337	1	LEVELLING DEVICE,
22	84100667	AR	SCREW,

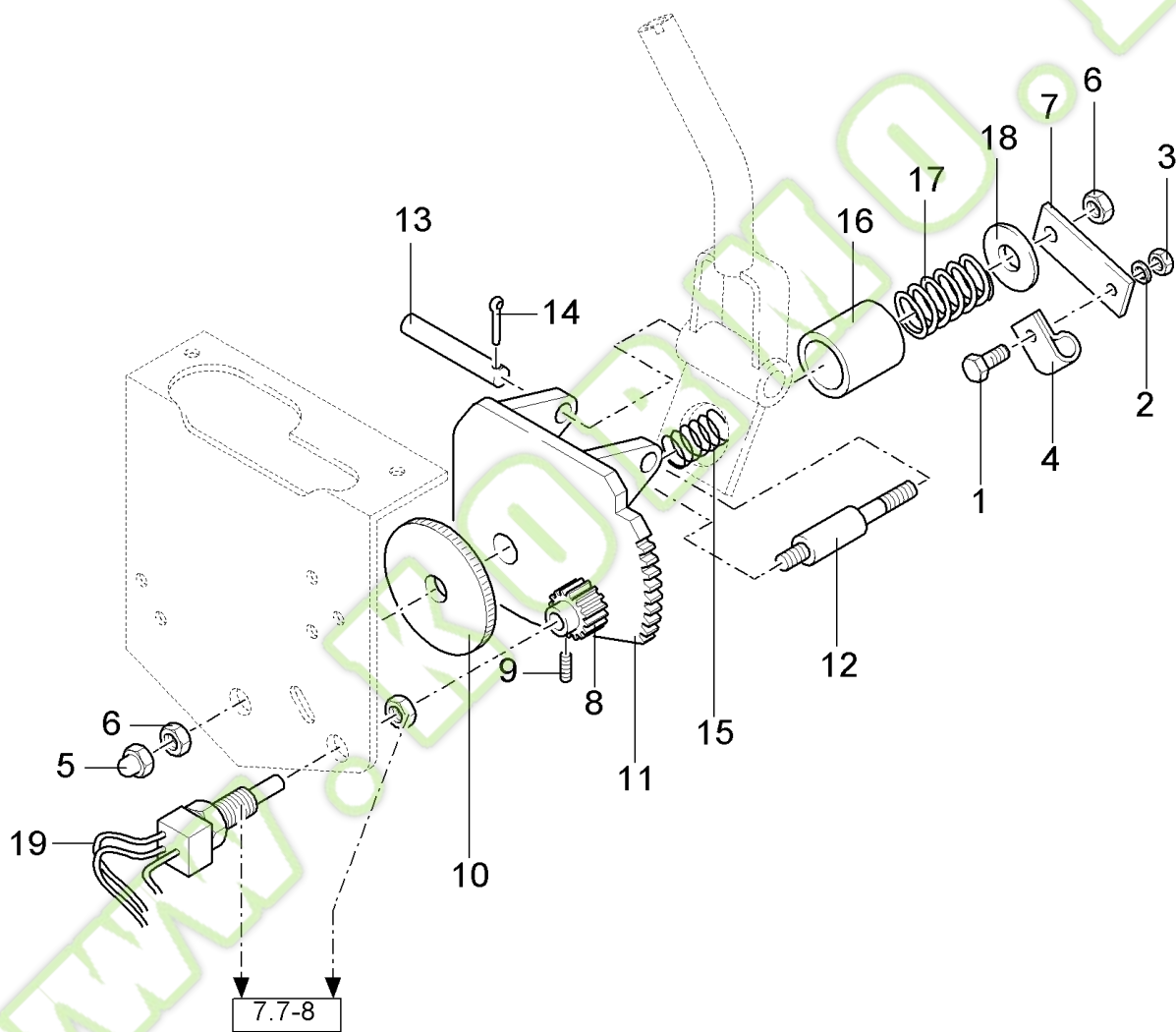
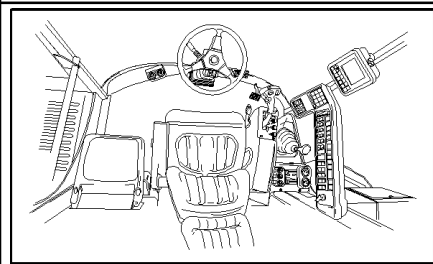


## FX48 SELF-PROPELLED FORAGE HARVESTER (9/98- )

## 07.07(01) ELECTRONIC CONTROL UNIT FOR HYDRAULICS

Ref	Part Number	Qty	Description
1	84031878	AR	WASHER,
2	321803	3	BOLT, {PP:80321803} Cross Pan Hd, M4 x 10, M4x10
3	9819757	1	KNOB, {PP:89819757}
4	9819758	2	KNOB, {PP:89819758}
5	9819754	4	SCREW, {PP:89819754}
6	9819712	4	CLIP, {PP:89819712}
7	9819911	1	SUPPORT, {PP:89819911}
8	84045779	1	BOARD, PRINTED CIRCUIT, [7.8(19)], WITH POTENTIOMETER
9	84001764	1	HARNESS, WIRE,
10	80120006	3	SCREW, M3x16
11	412547	5	WASHER, LOCK, {PP:80412547} Serr, M3, 3MM
12	100011	5	NUT, {PP:80100011} M3, CI 8, M3
13	84018151	1	BOARD, PRINTED CIRCUIT,
14	399159	1	SWITCH, {PP:80399159}
15	9819980	3	PLATE, {PP:89819980}
16	301571	2	SCREW, {PP:80301571} M3x25
17	84019455	1	SHIELD,
18	84023617	1	HARNESS, WIRE,
19	84031877	AR	BOLT,





## FX48 SELF-PROPELLED FORAGE HARVESTER (9/98- )

## 07.08(01) ELECTRONIC CONTROL UNIT FOR HYDRAULICS

Ref	Part Number	Qty	Description
1	412491	1	SCREW, {PP:80412491} M6x16
2	322357	1	WASHER, LOCK, {PP:80322357} Belleville, M6, Belleville, M6
3	9706755	1	NUT, {PP:89706755} M6, CI 8, M6
4	9507809	1	CLAMP, {PP:89507809}
5	747886	1	NUT, {PP:80747886} M10
6	100016	2	NUT, {PP:80100016} M10, CI 8, M10
7	9832483	1	PLATE, COVER, {PP:89832483}
8	84022671	1	GEAR,
9	9819753	1	SCREW, {PP:89819753} Hex Soc, M4 x 4, Cup Pt, M4x4
10	84056641	1	DISC,
11	9819679	1	SUPPORT, {PP:89819679}
12	9819970	1	SHAFT, {PP:89819970}
13	412102	1	PIN, {PP:80412102}
14	130003	2	PIN, SPLIT (COTTER), {PP:80130003} M3.2 x 20,
15	320502	1	SPRING, {PP:80320502}
16	84007406	1	BUSHING,
17	750881	1	SPRING, {PP:80750881}
18	140219	1	WASHER, {PP:80140219} 10MM
19	84045778	1	POTENTIOMETER,

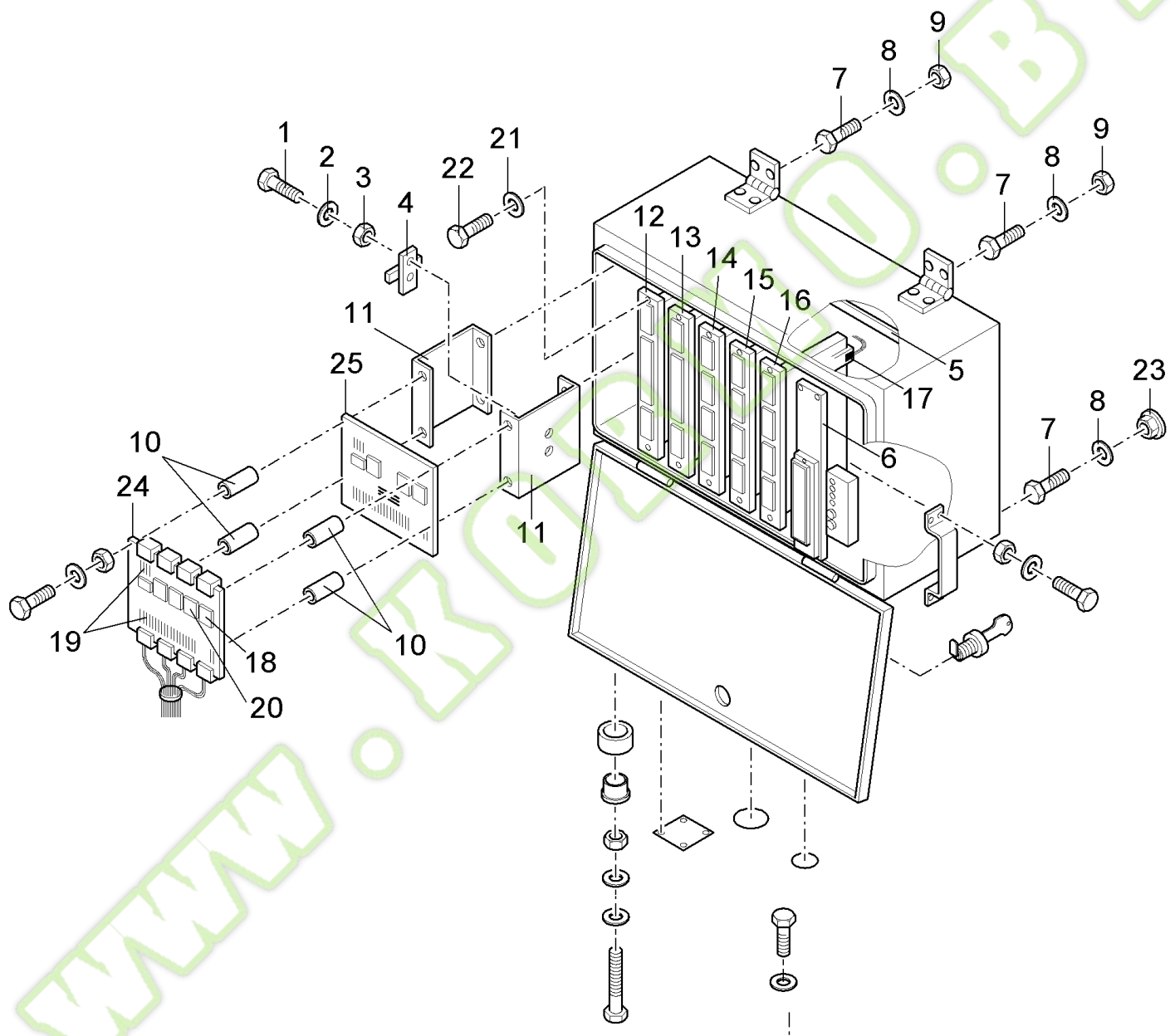
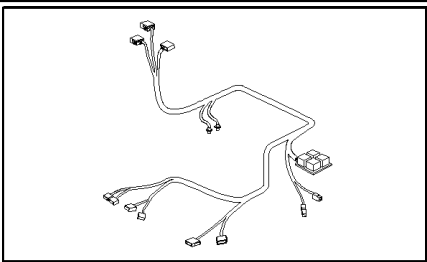


## FX48 SELF-PROPELLED FORAGE HARVESTER (9/98- )

## 07.09(01) CAB ROOF, ELECTRICITY

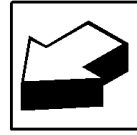
Ref	Part Number	Qty	Description
1	84057098	1	HARNESS, WIRE, , BSN C163
1	84431914	1	HARNESS, WIRE, , ASN D164
2	9504225	1	LAMP, {PP:89504225}
3	84007080	1	SWITCH, WINDSHIELD WIPER, Wiper
4	9504222	1	LAMP, {PP:89504222}
5	84037501	1	SWITCH, ASSY, Sprinkler,front
5	84037502	1	SWITCH, ASSY, Sprinkler
5	84037503	1	SWITCH, ASSY, Sprinkler
6	353078	1	BULB, {PP:80353078}
7	9815968	1	SPEAKER, {PP:89815968} (Set of 2)
8	84035378	1	HARNESS, WIRE,
9	9837139	2	HEADLAMP, {PP:89837139}
10	9703399	2	HEADLAMP,
11	9819712	4	CLIP, {PP:89819712}
12	84037863	1	CLOCK, , BSN C163
12	84429897	1	CLOCK, , ASN D164
13	9812398	1	PLATE, {PP:89812398}
14	84037499	1	SWITCH, ASSY, Mirror
15	9501006	1	SWITCH, ASSY, {PP:89501006} Mirror
16	9504368	1	PLUG, {PP:89504368}
16	84037500	1	SWITCH, ASSY, Mirror, FOR GERMANY ONLY
17	9835804	AR	SCREW, {PP:89835804}
18	84005699	AR	CLIP,
19	84026763	1	ANTENNA,
20	84000651	3	RELAY,
21	84002421	1	WASHER,
22	E7NN13752AA	1	SWITCH, ASSY, {PP:83961521} Door
23	84015251	1	HARNESS, WIRE,
24	84017502	1	CABLE,

07.10(01) ELECTRIC CONTROL BOX



X513

X513	8.36	HIGH CAPACITY
X500	7.20	ENGINE

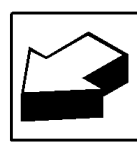
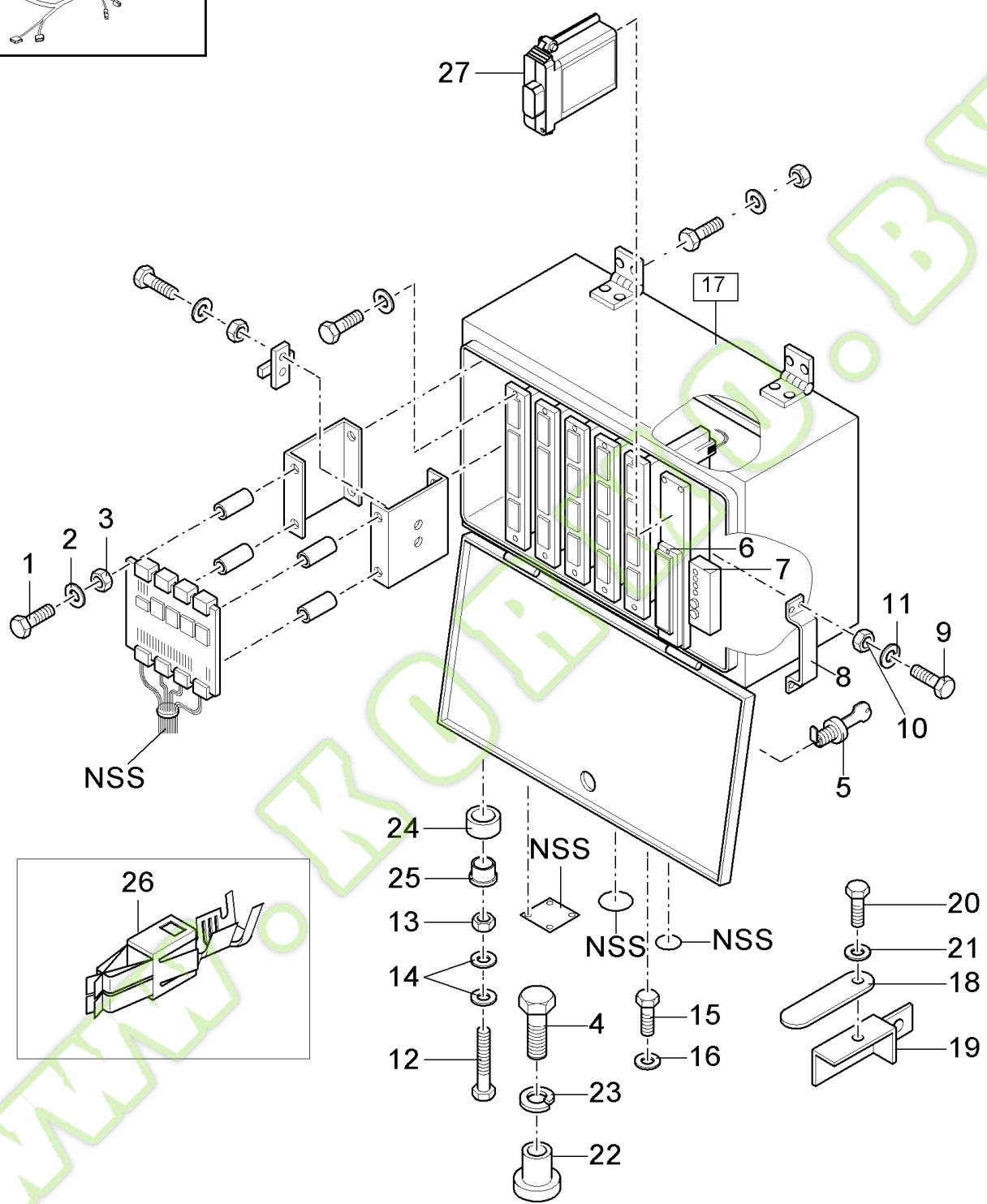
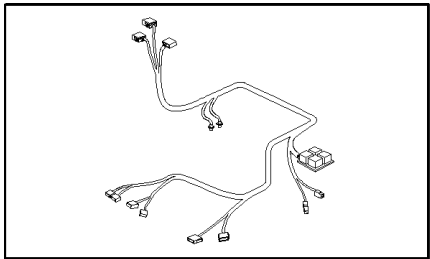


## FX48 SELF-PROPELLED FORAGE HARVESTER (9/98- )

## 07.10(01) ELECTRIC CONTROL BOX

Ref	Part Number	Qty	Description
1	120007	2	SCREW, {PP:80120007} Cross Pan Hd, M4 x 16, M4x16
2	322355	2	WASHER, LOCK, {PP:80322355} Belleville, M4, 4MM
3	100012	2	NUT, {PP:80100012} M4, CI 8, M4
4	457197	1	FUSE, {PP:80457197}
5	84018167	1	PANEL, BOXED,
6	9812608	1	PLATE, {PP:89812608}
7	43128	8	SCREW, {PP:80043128} Hex, M8 x 30, 8.8, Cap, HH, CL 8.8, M8 x 1.25 x 30
8	322358	4	WASHER, LOCK, {PP:80322358} Belleville, M8, 8MM
9	100015	8	NUT, {PP:80100015} M8, CI 8, M8
10	9818991	7	BUSHING, {PP:89818991}
11	84019647	1	SUPPORT,
12	84036155	1	BOARD, PRINTED CIRCUIT, CPU, FOR FX28-38-48 ONLY
12	84058009	1	BOARD, PRINTED CIRCUIT, CPU, FOR FX58 ONLY
13	84036156	1	BOARD, PRINTED CIRCUIT, ADJ, FOR FX28-38-48 ONLY, BSN C217
13	84058010	1	BOARD, PRINTED CIRCUIT, , FOR FX28-38-48 ONLY, ASN D218
13	84058010	1	BOARD, PRINTED CIRCUIT, ADJ, FOR FX58 ONLY
14	84018158	1	BOARD, PRINTED CIRCUIT, Light
15	84058458	1	BOARD, PRINTED CIRCUIT, Act
16	84068781	1	BOARD, PRINTED CIRCUIT, Valve
17	84019648	1	HARNESS, WIRE,
18	441074	1	FLASHER UNIT, {PP:80441074}
18	9813500	1	FLASHER UNIT, {PP:89813500} , FOR ITALY ONLY, ORDER THIS ITEM WHEN ILLUMINATION KIT INSTALLED(SEE GROUP 7.24)
19	89811773	AR	FUSE, 10A
19	9623774	AR	FUSE, {PP:89623774} 15A
19	D9ZB14A094FA	AR	FUSE, {PP:83932926} 25A
19	84032356	AR	FUSE, 30A
19	84038658	AR	FUSE, 40A
20	84000651	AR	RELAY,
21	84031878	AR	WASHER,
22	84031877	AR	BOLT,
23	89804277	2	NUT,
24	84037237	1	BOARD, PRINTED CIRCUIT, Power
25	84031297	1	BOARD, PRINTED CIRCUIT, Flasher, FOR NA ONLY

07.11(01) ELECTRIC CONTROL BOX

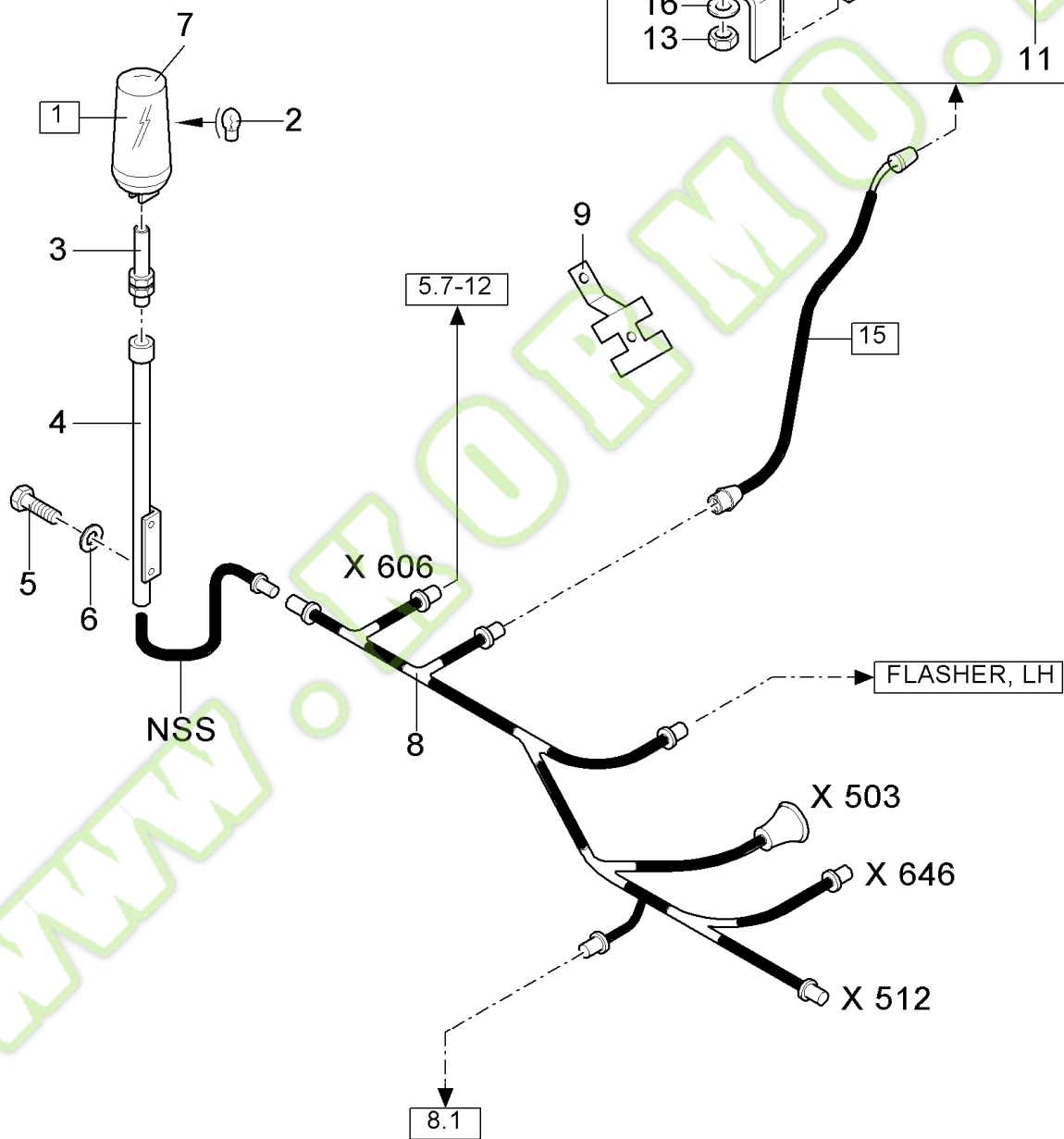
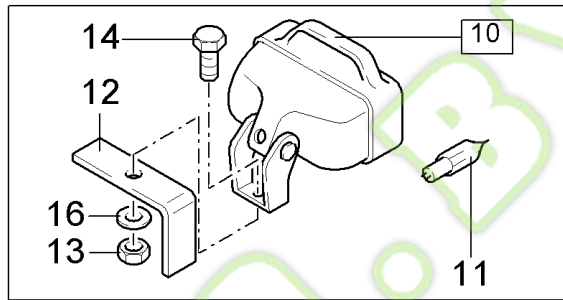
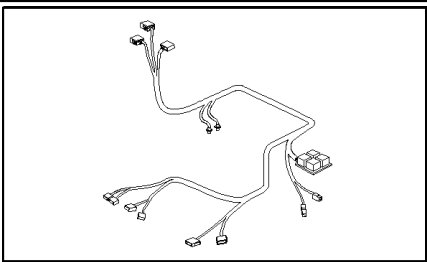


## FX48 SELF-PROPELLED FORAGE HARVESTER (9/98- )

## 07.11(01) ELECTRIC CONTROL BOX

Ref	Part Number	Qty	Description
1	80120099	10	SCREW, Hex, M6 x 16, 8.8, M6x16
2	322357	10	WASHER, LOCK, {PP:80322357} Belleville, M6, Belleville, M6
3	9706755	10	NUT, {PP:89706755} M6, CI 8, M6
4	388113	1	SCREW, {PP:80388113} Hex, M12 x 16, 8.8, Full Thd, M12x16
5	9814881	1	LOCK, {PP:89814881}
6	84053755	1	ELECTRONIC UNIT, CONTROL, EMRD
7	84018170	1	ELECTRONIC UNIT, CONTROL,
8	84019665	1	SUPPORT,
9	80385683	4	SCREW, M4x10
10	100012	6	NUT, {PP:80100012} M4, CI 8, M4
11	322355	6	WASHER, LOCK, {PP:80322355} Belleville, M4, 4MM
12	120060	2	SCREW, {PP:80120060} Hex, M8 x 50, 8.8, M8x50
13	100015	2	NUT, {PP:80100015} M8, CI 8, M8
14	322358	2	WASHER, LOCK, {PP:80322358} Belleville, M8, 8MM
15	9837223	1	CONNECTOR, HYD., {PP:89837223}
16	9839398	1	NUT, {PP:89839398}
17	84058686	1	ELECTRONIC UNIT, CONTROL, (12 to 14,26), FOR FX58 ONLY, BSN C217
17	84807207	1	ELECTRONIC UNIT, CONTROL, , FOR FX58 ONLY, ASN D218
17	84058687	1	ELECTRONIC UNIT, CONTROL, (12 to 14,26), FOR FX58 ONLY, FOR NA ONLY, BSN C205
17	84807209	1	ELECTRONIC UNIT, CONTROL, (12 to 14,26,27), FOR FX58 ONLY, FOR NA ONLY, ASN D206
17	84058685	1	ELECTRONIC UNIT, CONTROL, (12 to 14,26), FOR FX28-38-48 ONLY, BSN C217
17	84807206	1	ELECTRONIC UNIT, CONTROL, (12 to 14,26,27), FOR FX28-38-48 ONLY, ASN D218
17	84058684	1	ELECTRONIC UNIT, CONTROL, (12 to 14,26), FOR FX28-38 ONLY, FOR NA ONLY, BSN C217
17	84807208	1	ELECTRONIC UNIT, CONTROL, , FOR FX28-38 ONLY, FOR NA ONLY, ASN D218
18	84052103	1	BRACKET,
19	84052117	1	BRACKET,
20	80120099	1	SCREW, Hex, M6 x 16, 8.8, M6x16
21	353308	1	NUT, {PP:80353308} M6 x 1, CI 8, M6
22	84053017	1	HANDLE,
23	140046	1	WASHER, LOCK, {PP:80140046} Belleville, M12, 12MM
24	9815122	AR	BUSHING, {PP:89815122}
25	9815121	AR	BUSHING, {PP:89815121}
26	84400960	1	DIODE, , ASN D174
27	84607102	1	CONVERTER, , FOR FX58 ONLY, FOR NA ONLY, BSN F206217



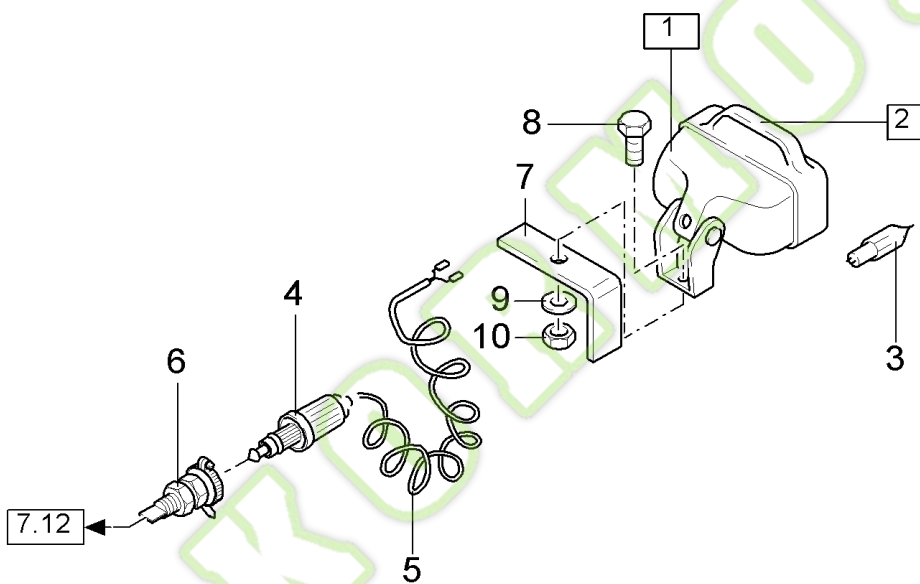
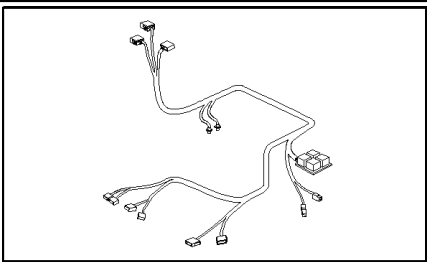


## FX48 SELF-PROPELLED FORAGE HARVESTER (9/98- )

## 07.12(01) ELECTRIC WIRING, SPOUT AND FLASHERS

Ref	Part Number	Qty	Description
1	9513421	2	BEACON, ROTATING, {PP:89513421} (2,7)
2	442227	2	BULB, {PP:80442227}
3	9513422	2	CONNECTOR, WIRE, {PP:89513422}
4	84045529	1	TUBE, RH
4	84045530	1	TUBE, LH
5	120109	2	SCREW, {PP:80120109} Hex, M10 x 20, 8.8, Full Thd, M10x20
6	140045	2	WASHER, LOCK, {PP:80140045} Belleville, M10, 10MM
7	84062394	2	LENS,
8	84057091	1	HARNESS, WIRE,
9	84032700	AR	SUPPORT,
10	9837140	1	LAMP, {PP:89837140} (11)
11	9703399	1	HEADLAMP, 12V-55W
12	9813909	1	SUPPORT, {PP:89813909}
13	100016	2	NUT, {PP:80100016} M10, CI 8, M10
14	120041	2	BOLT, {PP:80120041} Short NK, M10 x 20, CI8.8, Full Thd, M10x20
15	84052156	1	HARNESS, WIRE, (16)
16	140045	2	WASHER, LOCK, {PP:80140045} Belleville, M10, 10MM

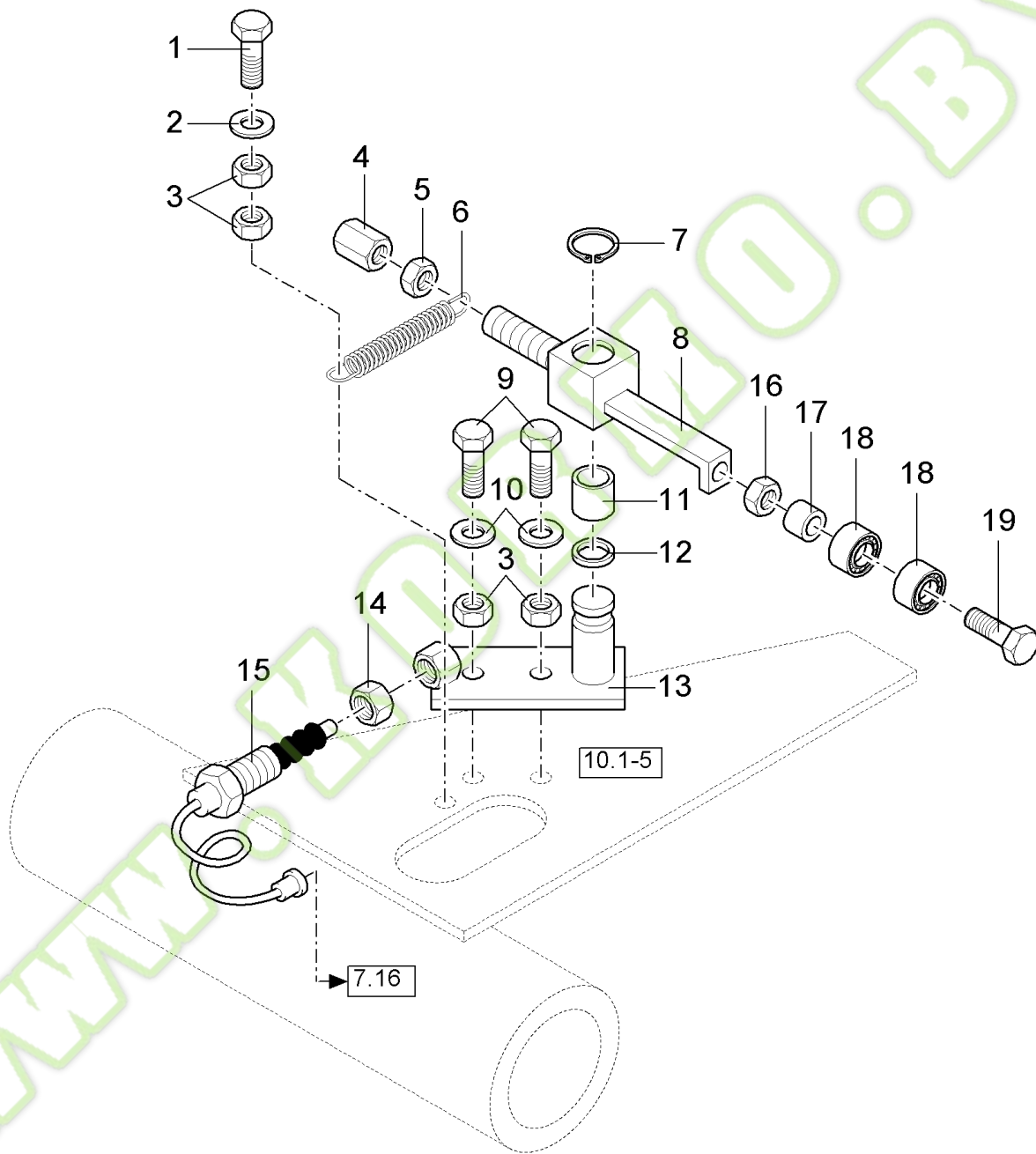
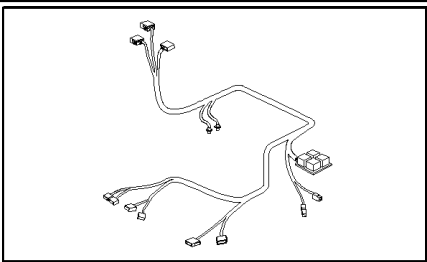
07.13(01) ADDITIONAL WORK LIGHT: SPOUT



Ref	Part Number	Qty	Description
1	84004176	1	LAMP, WORK, (2 to 5,8 to 10)
2	9837140	1	LAMP, {PP:89837140} (3)
3	9703399	1	HEADLAMP, 12V-55W
4	353969	1	CONNECTOR, {PP:80353969}
5	264517	1	HARNESS, WIRE, {PP:80264517}
6	374418	1	SOCKET, POWER, {PP:80374418}
7	9813909	1	SUPPORT, {PP:89813909}
8	120041	2	BOLT, {PP:80120041} Short NK, M10 x 20, CI8.8, Full Thd, M10x20
9	140045	2	WASHER, LOCK, {PP:80140045} Belleville, M10, 10MM
10	100016	2	NUT, {PP:80100016} M10, CI 8, M10

WWW.KORMO.BY

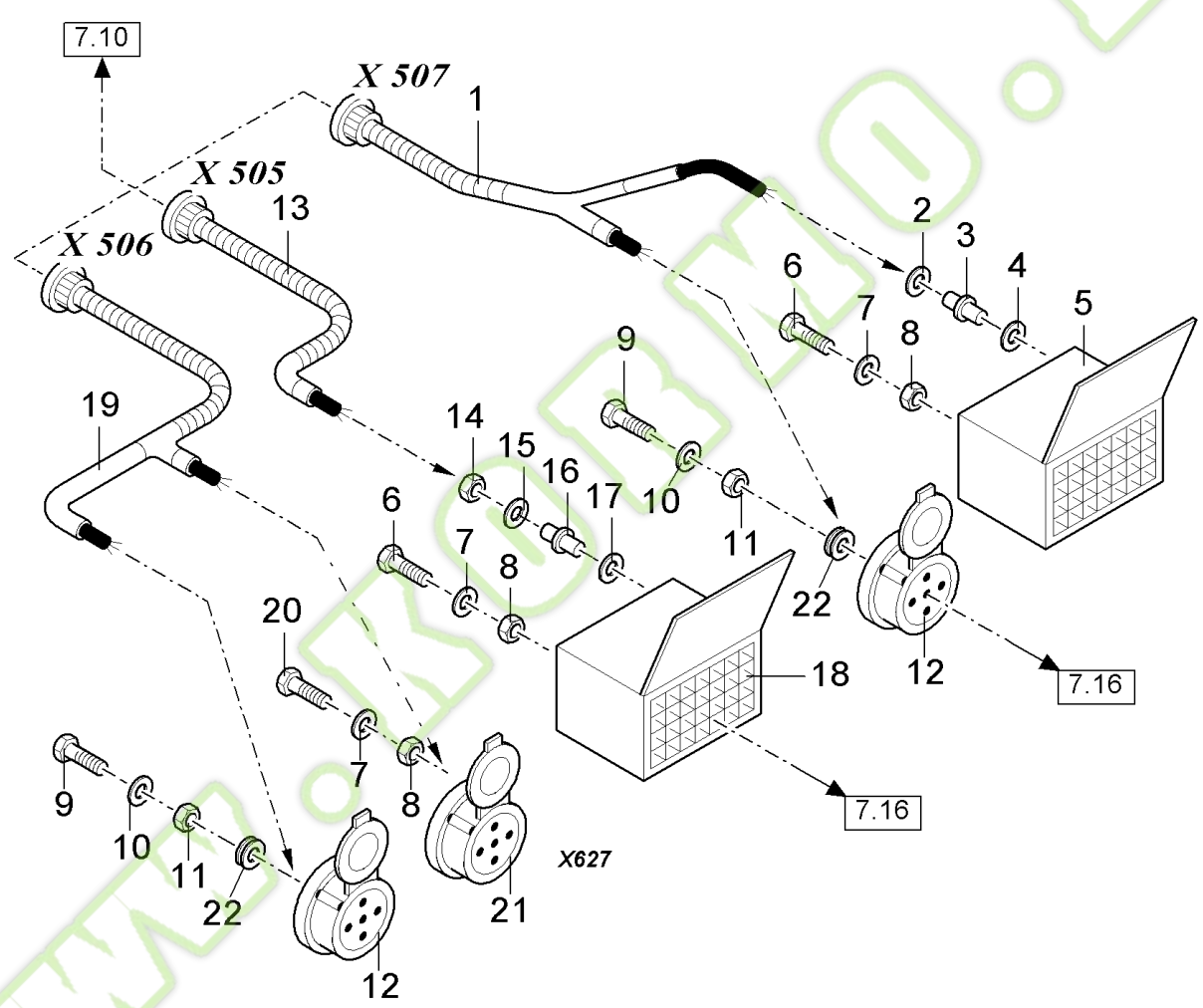
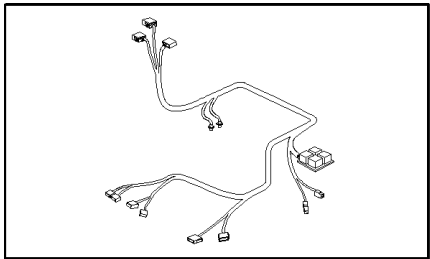
07.14(01) CHOPPER, HEIGHT INDICATOR



## FX48 SELF-PROPELLED FORAGE HARVESTER (9/98- )

## 07.14(01) CHOPPER, HEIGHT INDICATOR

Ref	Part Number	Qty	Description
1	120106	1	SCREW, {PP:80120106} Hex, M8 x 40, 8.8, Full Thd, Hex, M8 x 40, 8.8, Full Thd
2	378243	1	WASHER, {PP:80378243} 8MM
3	100015	4	NUT, {PP:80100015} M8, CI 8, M8
4	06113193	1	NUT, {PP:84018179} M12
5	337475	1	NUT, {PP:80337475} M12, CI 10, M12
6	354039	1	SPRING, {PP:80354039}
7	370024	1	RING, SNAP, {PP:80370024}
8	84007582	1	LEVER,
9	412479	2	SCREW, {PP:80412479} Hex, M8 x 35, 8.8, M8x35
10	322358	2	WASHER, LOCK, {PP:80322358} Belleville, M8,
11	382974	2	SLEEVE, {PP:80382974}
12	443434	1	WASHER, {PP:80443434}
13	84007578	1	SUPPORT,
14	100033	1	NUT, {PP:80100033} Thin, M24 x 1.5, CI 04, M24
15	9513732	1	SENSOR, {PP:89513732}
16	100067	1	NUT, {PP:80100067} M8 x 1.25", CI 8, M8
17	84017374	1	BUSHING,
18	84017373	AR	BEARING ASSY,
19	412479	1	SCREW, {PP:80412479} Hex, M8 x 35, 8.8, M8x35, BSN C173
19	43129	1	SCREW, {PP:80043129} Hex, M8 x 40, 8.8, Hex, M8 x 40, 8.8, ASN D174



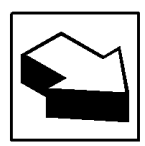
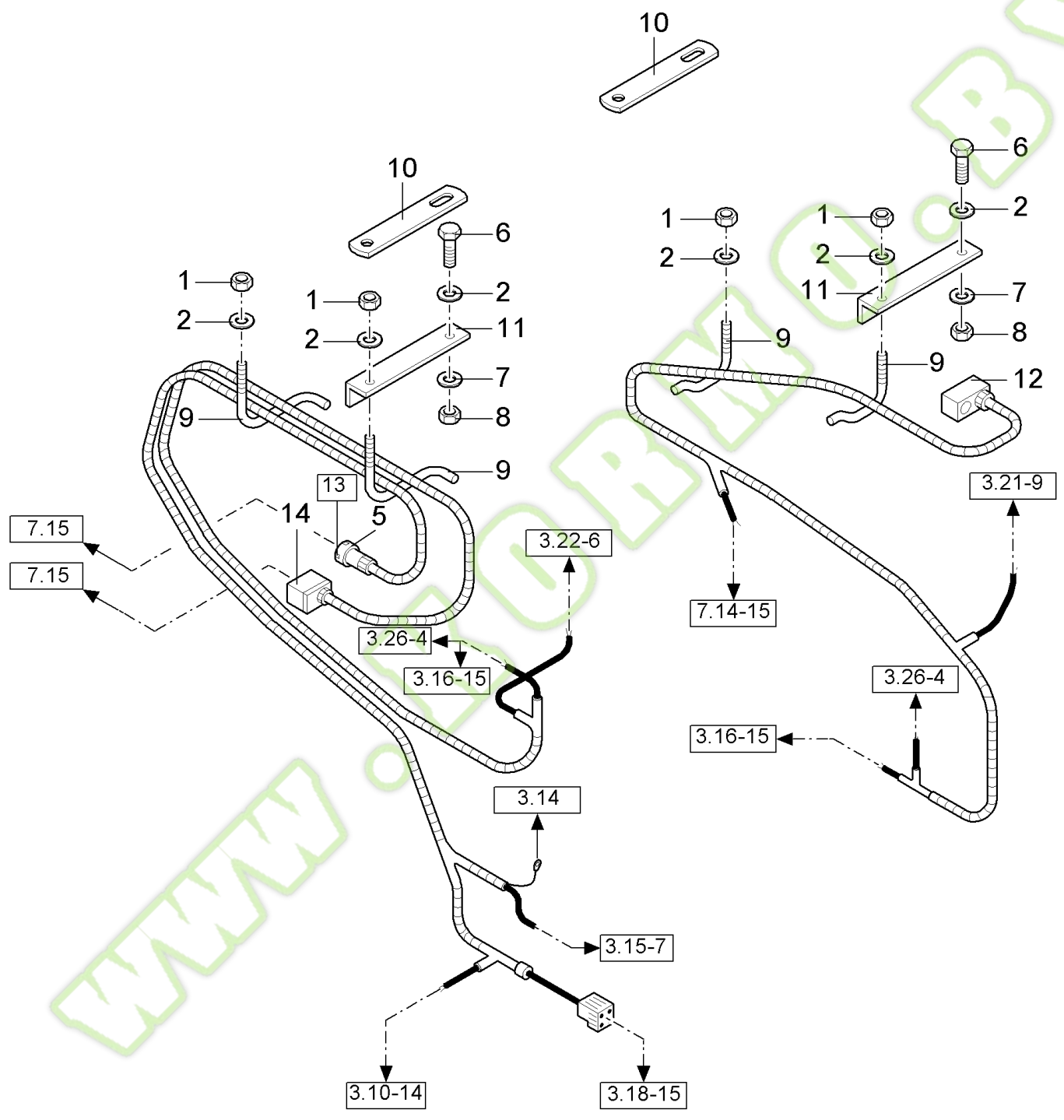
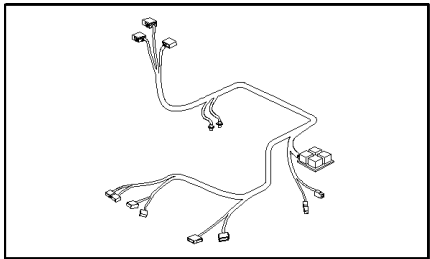
## FX48 SELF-PROPELLED FORAGE HARVESTER (9/98- )

## 07.15(01) ELECTRIC WIRING, OPERATOR'S PLATFORM

Ref	Part Number	Qty	Description
1	84057130	1	HARNESS, WIRE,
2	84019207	1	RING,
3	84019073	1	CONNECTOR, HYD.,
4	84019074	2	RING,
5	84018932	1	CONNECTOR, HYD.,
6	412625	6	SCREW, {PP:80412625} Cross Pan Hd, M5 x 25, M5x25
7	322356	9	WASHER, LOCK, {PP:80322356}
8	100013	9	NUT, {PP:80100013} M4, CI 8, M5
9	412658	6	SCREW, {PP:80412658} Cross Pan Hd, M4 x 40, M4x40
10	322355	6	WASHER, LOCK, {PP:80322355} Belleville, M4, 4MM
11	100012	6	NUT, {PP:80100012} M4, CI 8, M4
12	398224	2	SOCKET, POWER, {PP:80398224}
13	84057132	1	HARNESS, WIRE,
14	84022437	2	NUT,
15	84022438	2	WASHER, LOCK,
16	84022440	2	CONNECTOR, HYD.,
17	84022441	1	RING,
18	84018930	1	CONNECTOR,
19	84064745	1	HARNESS, WIRE, , BSN C173
19	84432272	1	HARNESS, WIRE, , ASN D174
20	84015627	1	SCREW, M5x35
21	84007466	1	CONNECTOR, , BSN C173
21	84074251	1	CONNECTOR, WIRE, , ASN D174
22	46288	2	GROMMET, {PP:80046288}, BSN C245
22	102043	2	GROMMET, {PP:80102043}, ASN D246



07.16(01) CUTTERHEAD, ELECTRIC WIRING

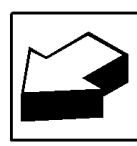
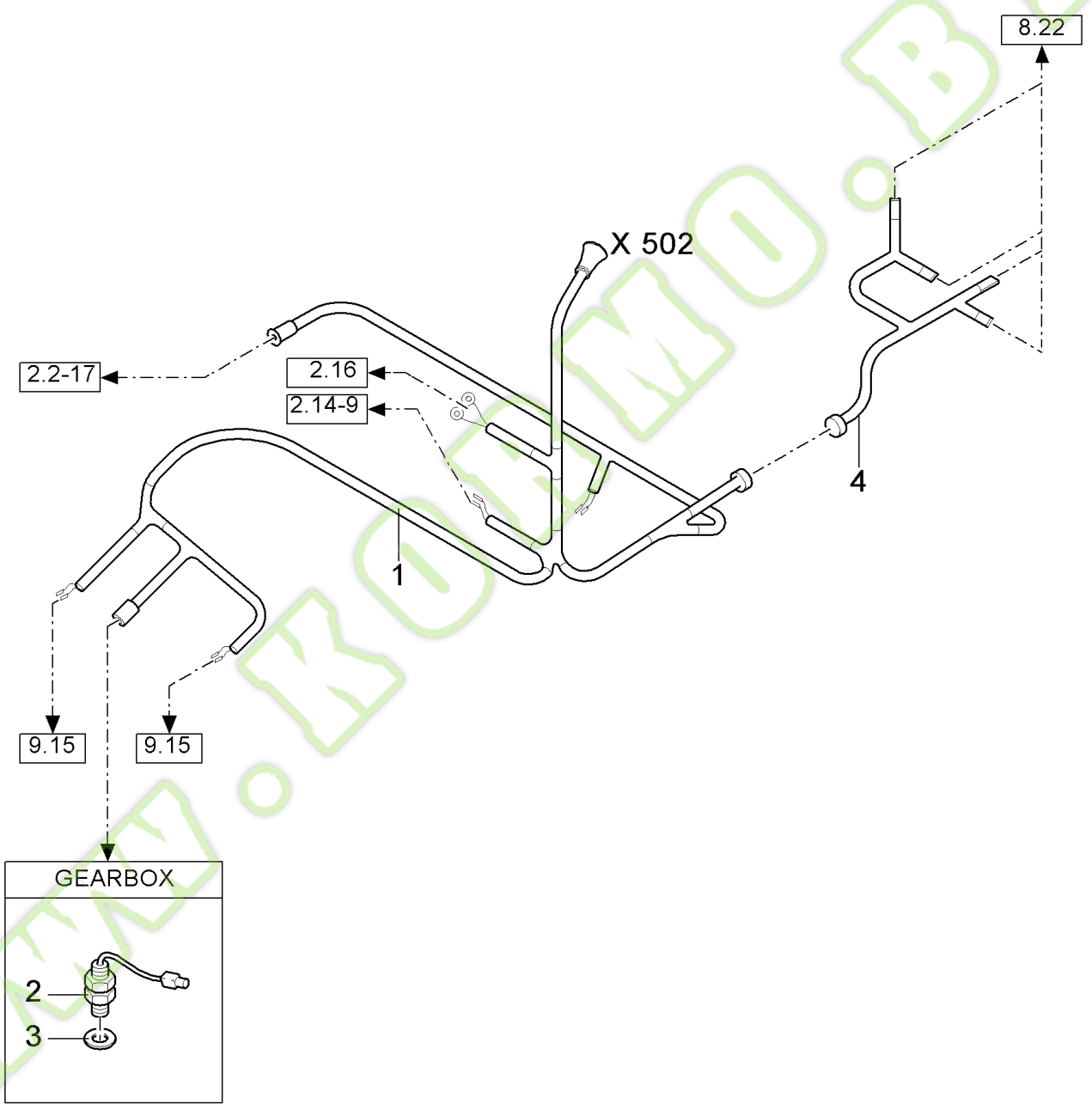
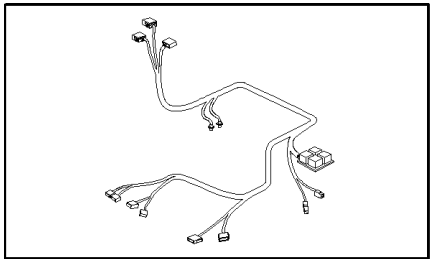


## FX48 SELF-PROPELLED FORAGE HARVESTER (9/98- )

## 07.16(01) CUTTERHEAD, ELECTRIC WIRING

Ref	Part Number	Qty	Description
1	9635082	8	NUT, {PP:89635082} 5/16"-18, G5, G5, 5/16"-18
2	322358	6	WASHER, LOCK, {PP:80322358} Belleville, M8, 8MM
3	353308	1	NUT, {PP:80353308} M6 x 1, CI 8, M6
4	322357	1	WASHER, LOCK, {PP:80322357} Belleville, M6, Belleville, M6
5	84007467	1	CONNECTOR, HYD., , BSN C173
5	84400084	1	CONNECTOR, WIRE, , ASN D174
6	80120104	2	SCREW, M8x20
7	412328	2	WASHER, {PP:80412328} 8MM
8	100067	2	NUT, {PP:80100067} M8 x 1.25", CI 8, M8
9	719665	4	RETAINER, {PP:80719665}
10	84043290	2	PLATE, , BSN C185
10	84043290	1	PLATE, LH, ASN D186
10	84806467	1	PLATE, RH, ASN D186
11	458491	2	SUPPORT, {PP:80458491}
12	84035545	1	HARNESS, WIRE,
13	84064747	1	HARNESS, WIRE, (5), BSN C173
13	84432273	1	HARNESS, WIRE, (5), ASN D174
14	84035541	1	HARNESS, WIRE, (5)

07.17(01) ELECTRIC WIRING, LOWER FRAME

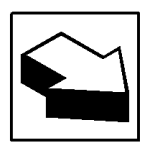
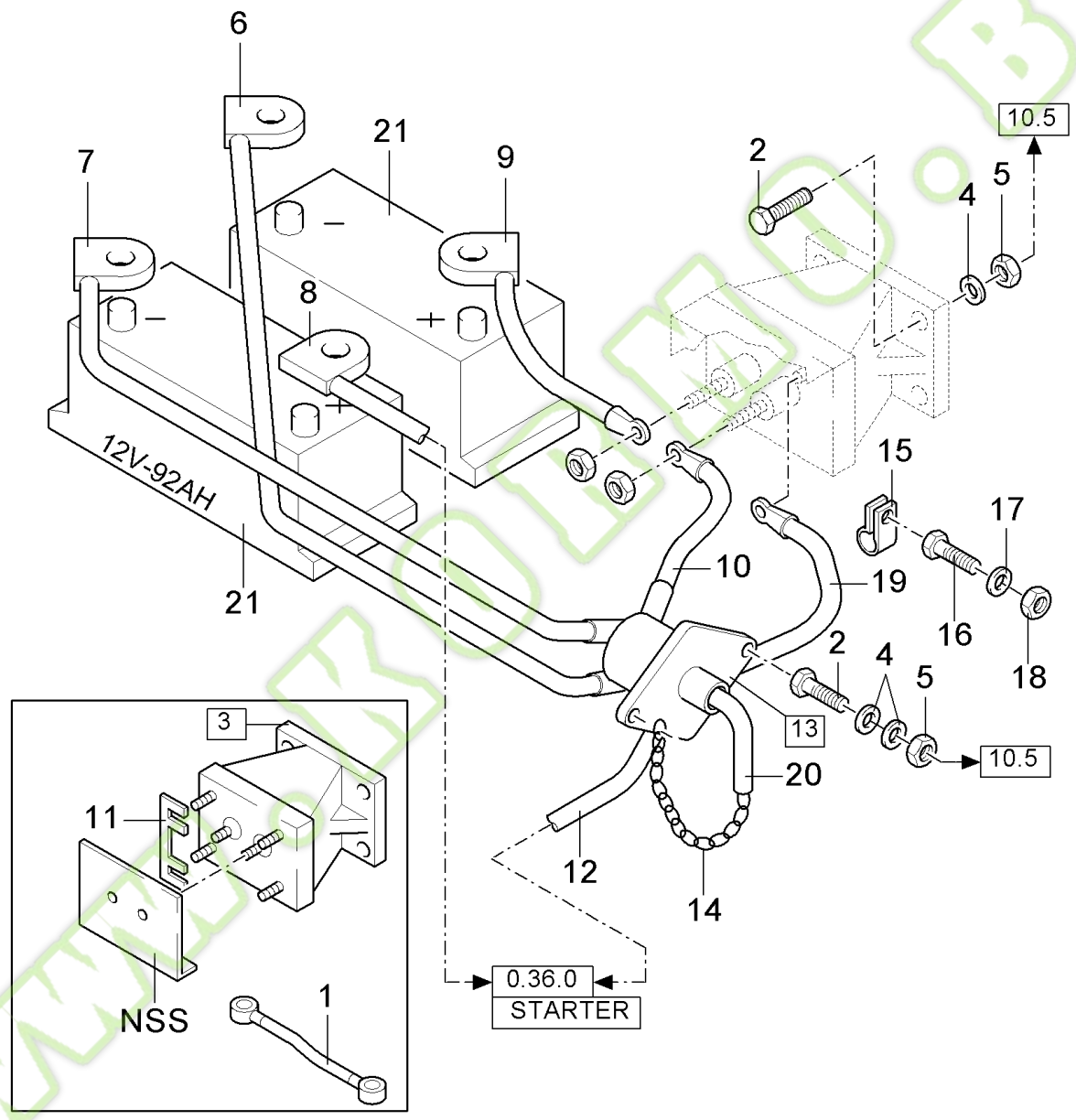
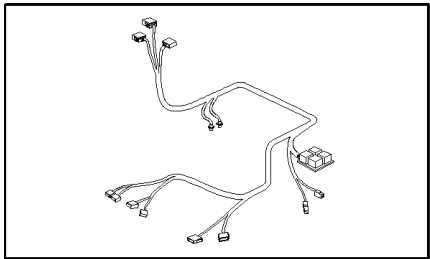


## 07.17(01) ELECTRIC WIRING, LOWER FRAME

Ref	Part Number	Qty	Description
1	84061118	1	HARNESS, WIRE,
2	84056991	1	SENSOR,
3	355607	1	RING, {PP:80355607}
4	84052196	1	HARNESS, WIRE,

WWW.KORMO.BY

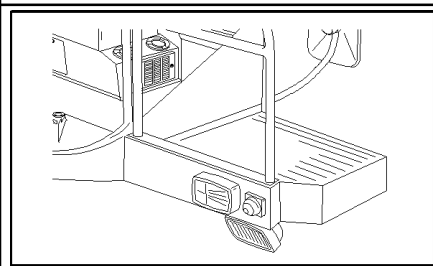
07.18(01) ELECTRIC WIRING, BATTERY



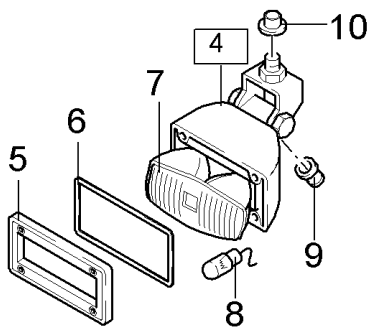
## FX48 SELF-PROPELLED FORAGE HARVESTER (9/98- )

## 07.18(01) ELECTRIC WIRING, BATTERY

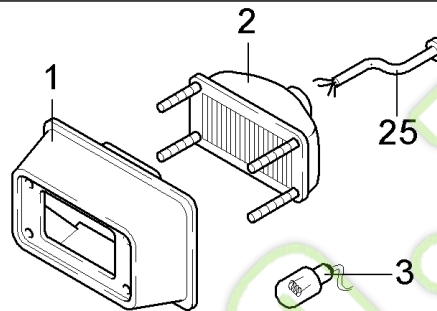
Ref	Part Number	Qty	Description
1	84018354	1	CABLE,
2	43127	6	BOLT, {PP:80043127} Hex, M8 x 25, 8.8, M8x25
3	389120	1	SWITCH, ASSY, (1,11)
4	322358	8	WASHER, LOCK, {PP:80322358} Belleville, M8, 8MM
5	100015	6	NUT, {PP:80100015} M8, CI 8, M8
6	84017832	1	CABLE, ELECTRIC,
7	84017831	1	CABLE, ELECTRIC,
8	84017830	1	CABLE, ELECTRIC,
9	84017829	1	CABLE, ELECTRIC,
10	84017834	1	CABLE, ELECTRIC,
11	420580	4	PLATE, {PP:80420580} Fues - 80 Amp
12	84004377	1	CABLE, ELECTRIC, , FOR FX28-38-48 ONLY
12	84058315	1	CABLE, ELECTRIC, , FOR FX58 ONLY
13	84005283	1	KEY, LOCK, (20)
14	539289	1	CHAIN, {PP:80539289}
15	418407	1	CLAMP, {PP:80418407}
16	120100	1	BOLT, {PP:80120100} Hex, M6 x 20, 8.8, M6x20
17	322357	1	WASHER, LOCK, {PP:80322357} Belleville, M6, Belleville, M6
18	9706755	1	NUT, {PP:89706755} M6, CI 8, M6
19	84001812	1	CABLE, ELECTRIC,
20	84607500	1	KEY, LOCK,
21	F885DSW	2	BATTERY, WET, US, Group 49
21	9624940DS	2	BATTERY, DRY, CANADA, Group 49
21	-	2	EU, battery, BCI group 434, purchase locally through the direct ship program



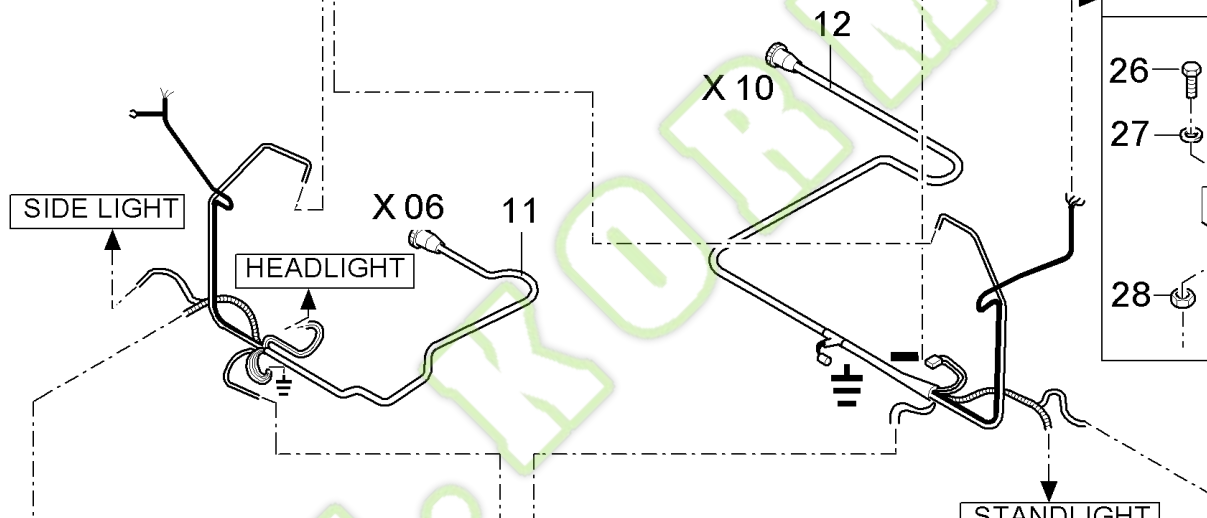
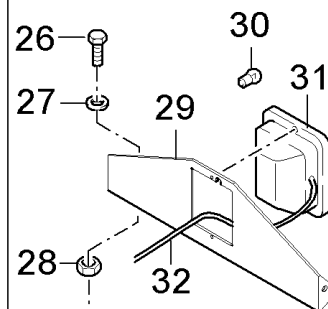
WORKLIGHTS ON PLATFORM FENCE



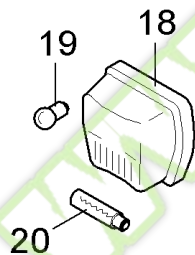
L.H. & R.H. HEADLIGHTS



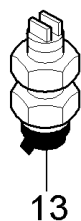
STOPLIGHT



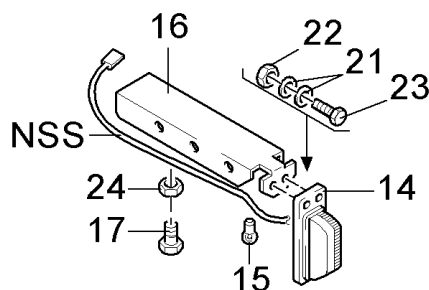
L.H. & R.H. STAND LIGHT



CONNECTOR



L.H. & R.H. ADDITIONAL SIDE LIGHT

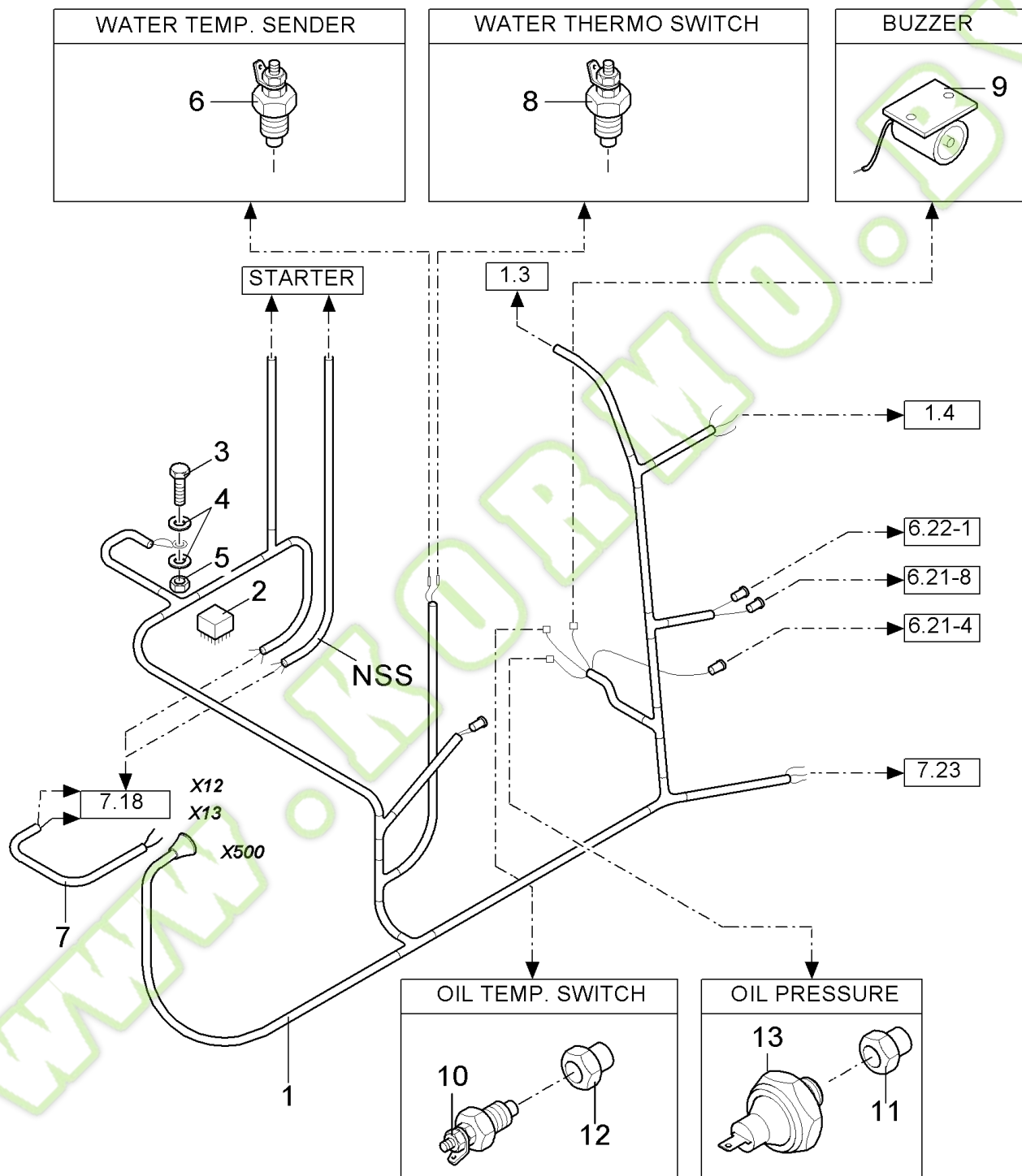
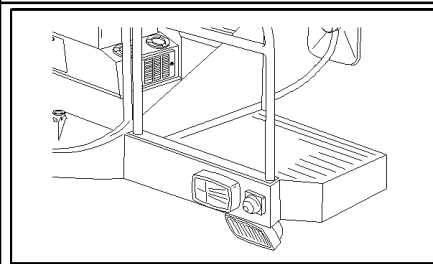


## FX48 SELF-PROPELLED FORAGE HARVESTER (9/98- )

## 07.19(01) FRONT ILLUMINATION AND HARNESSSES

Ref	Part Number	Qty	Description
1	9819959	2	ARMATURE, {PP:89819959}
2	434926	2	HEADLAMP, {PP:80434926}
2	445490	2	HEADLAMP, {PP:80445490} , FOR U.K. ONLY
3	446592	2	BULB, {PP:80446592}
4	9813938	1	LAMP, {PP:89813938} (5 to 10)
5	9832589	1	COVER, {PP:89832589}
6	9832590	1	SEAL, {PP:89832590}
7	9832591	1	REFLECTOR, LAMP, {PP:89832591}
8	9703399	2	HEADLAMP, 12V-55W
9	9832592	1	BUSHING, RUBBER, {PP:89832592}
10	433314	2	PLUG, {PP:80433314}
11	84057140	1	HARNESS, WIRE, RH
12	84057134	1	HARNESS, WIRE, LH
13	374418	2	SOCKET, POWER, {PP:80374418}
14	449531	2	LAMP, {PP:80449531}
15	353078	2	BULB, {PP:80353078}
16	84000884	2	SUPPORT,
17	120113	2	BOLT, {PP:80120113} Hex, M10 x 50, 8.8, Full Thd, M10x50
18	418871	2	LAMP, {PP:80418871}
19	398877	2	BULB, {PP:80398877}
20	470017	2	BULB, {PP:80470017}
21	322357	8	WASHER, LOCK, {PP:80322357} Belleville, M6, Belleville, M6
22	9706755	4	NUT, {PP:89706755} M6, CI 8, M6
23	80120099	4	SCREW, Hex, M6 x 16, 8.8, M6x16
24	100016	2	NUT, {PP:80100016} M10, CI 8, M10
25	84001872	1	HARNESS, WIRE,
26	80120104	2	SCREW, M8x20, FOR NA ONLY
27	322358	2	WASHER, LOCK, {PP:80322358} Belleville, M8, 8MM, FOR NA ONLY
28	89706690	2	NUT, CL 8, M8 x 1.25 x 13.0, FOR NA ONLY
29	84035449	1	SUPPORT, , FOR NA ONLY
30	398877	1	BULB, {PP:80398877} , FOR NA ONLY
31	84041302	1	LAMP, , FOR NA ONLY
32	84035507	1	HARNESS, WIRE, , FOR NA ONLY





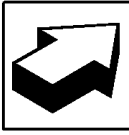
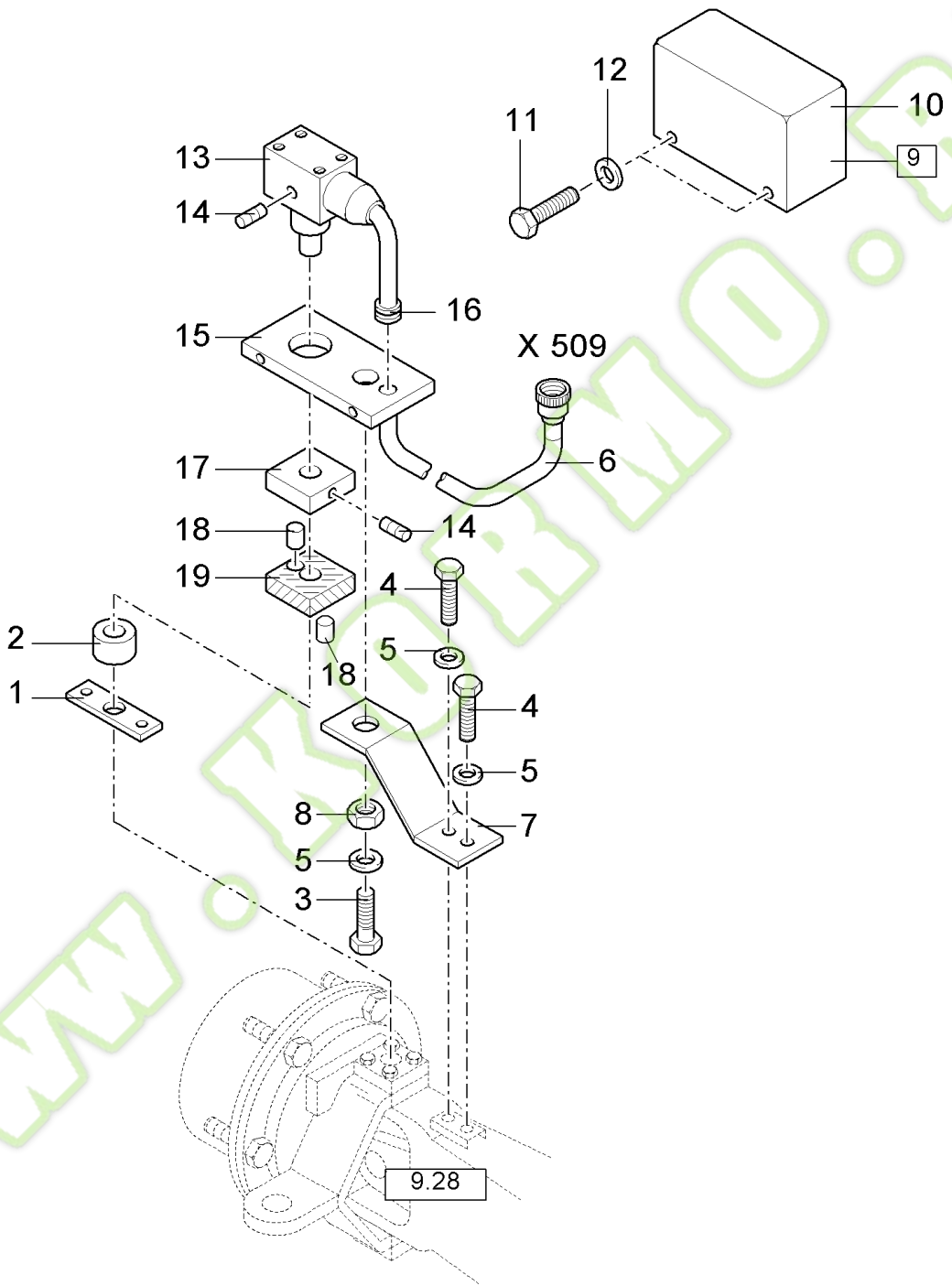
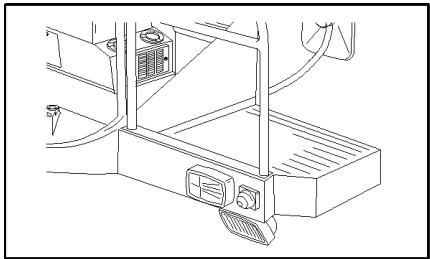
Ref	Part Number	Qty	Description
1	84061323	1	HARNESS, WIRE,
2	84000651	1	RELAY,
3	120101	1	SCREW, {PP:80120101} Hex, M6 x 30, 8.8, Full Thd, M6x30
4	322357	1	WASHER, LOCK, {PP:80322357} Belleville, M6, Belleville, M6
5	9706755	1	NUT, {PP:89706755} M6, CI 8, M6
6	84053664	1	SENDER UNIT,
7	84057100	1	HARNESS, WIRE,
8	84031916	1	SWITCH, THERMOSTATIC,
9	84058690	1	BUZZER,
10	84031915	1	SENDER UNIT,
11	84015936	1	CONNECTOR, HYD.,
12	84015935	1	CONNECTOR, HYD.,
13	84053657	1	SWITCH, PRESSURE,

WWW.KORMO.BY



Ref	Part Number	Qty	Description
1	84057100	1	HARNESS, WIRE,
2	84437552	1	HARNESS, WIRE,
3	84438670	1	SWITCH,
4	84437753	1	BRACKET, , BSN C233
4	84441548	1	BRACKET, , ASN D234
5	84000651	2	RELAY,
6	84058690	1	BUZZER,
7	84053657	1	SWITCH, PRESSURE,
8	84807267	1	CONNECTOR, WIRE,
9	374418	1	SOCKET, POWER, {PP:80374418}
10	84437751	1	BRACKET,
11	84437743	1	SUPPORT,
12	84032700	4	SUPPORT,
13	84437755	1	CABLE, ELECTRIC,
14	84437754	1	CABLE, ELECTRIC,
15	84437672	1	HARNESS, WIRE,
16	84437667	1	HARNESS, WIRE,
17	84437673	1	HARNESS, WIRE,

07.22(01) INDICATOR "AUTOPILOT"

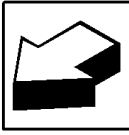
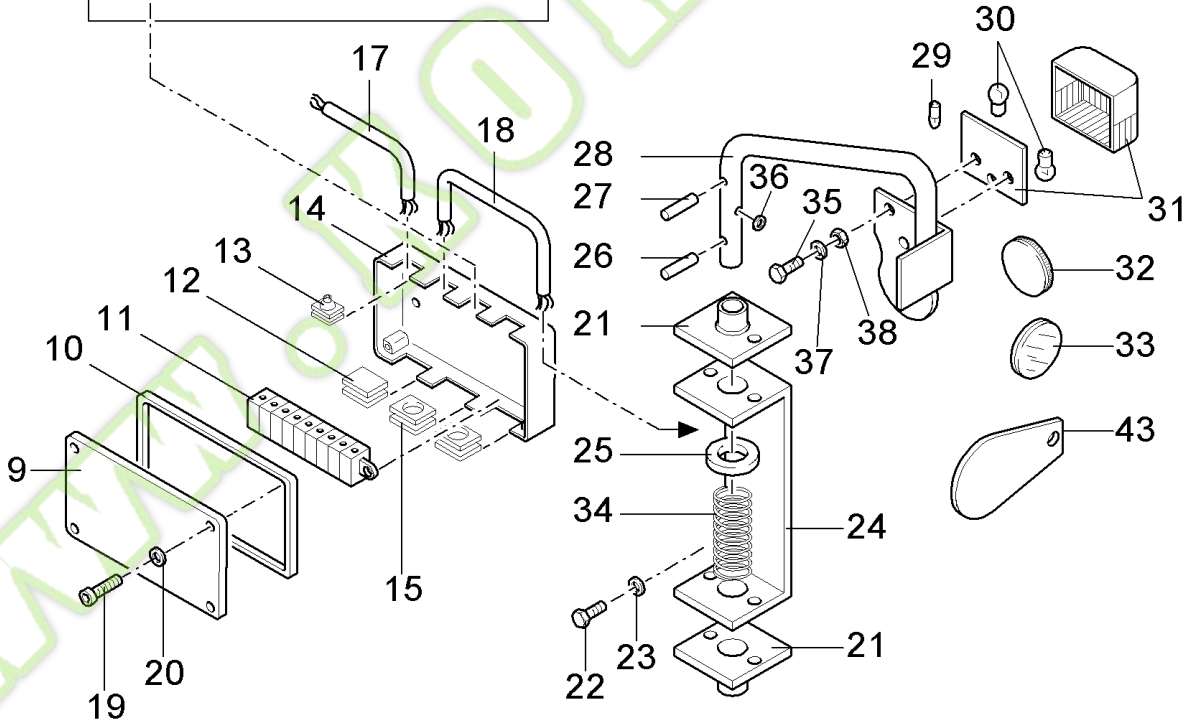
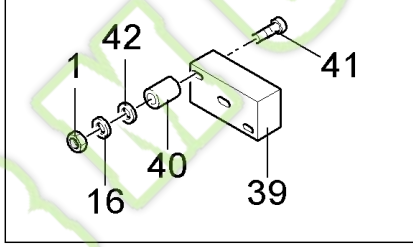
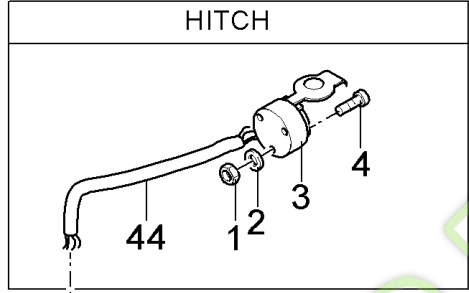
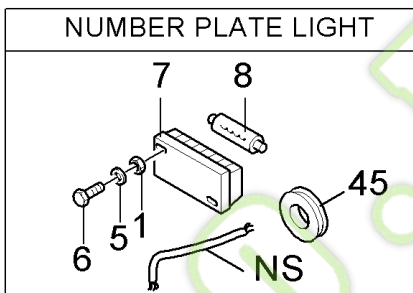
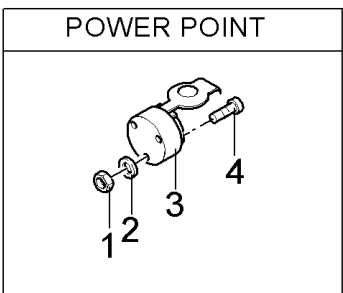
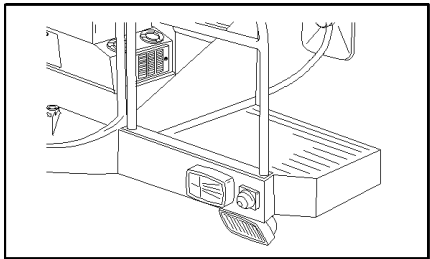


## FX48 SELF-PROPELLED FORAGE HARVESTER (9/98- )

## 07.22(01) INDICATOR "AUTOPILOT"

Ref	Part Number	Qty	Description
1	84012750	1	BRACKET, , FOR 4WD ONLY
2	84019470	1	BUSHING, , FOR 2WD ONLY
3	120038	1	BOLT, {PP:80120038} Short NK, M8 x 30, CI8.8, Full Thd, M8x30
4	43127	2	BOLT, {PP:80043127} Hex, M8 x 25, 8.8, M8x25
5	322358	3	WASHER, LOCK, {PP:80322358} Belleville, M8, 8MM
6	84057105	1	HARNES, WIRE,
7	84019471	1	SUPPORT, , FOR 2WD ONLY
7	84012751	1	SUPPORT, , FOR 4WD ONLY
8	100015	1	NUT, {PP:80100015} M8, CI 8, M8
9	84019469	1	ELECTRONIC UNIT, CONTROL, (10 to 19)
10	89815542	1	COVER,
11	80378056	4	SCREW, M6x10
12	322357	4	WASHER, LOCK, {PP:80322357} Belleville, M6, Belleville, M6
13	89815543	1	SENSOR,
14	84012755	3	SCREW, Hex Soc, M6 x 5, M6x6
15	89815545	1	PLATE,
16	89815544	1	GUIDE,
17	84012753	1	RING,
18	84012756	4	PIN, M4 x 16, Slotted,
19	84012752	1	RING,

07.23(01) REAR LIGHTS



## FX48 SELF-PROPELLED FORAGE HARVESTER (9/98- )

## 07.23(01) REAR LIGHTS

Ref	Part Number	Qty	Description
1	100012	AR	NUT, {PP:80100012} M4, CI 8, M4
1	100015	2	NUT, {PP:80100015} M8, CI 8, M8, FOR NA ONLY
2	322355	AR	WASHER, LOCK, {PP:80322355} Belleville, M4, 4MM
2	322358	2	WASHER, LOCK, {PP:80322358} Belleville, M8, 8MM, FOR NA ONLY
3	398224	2	SOCKET, POWER, {PP:80398224}
3	265927	1	SOCKET, POWER, {PP:80265927} , FOR NA ONLY
4	412658	AR	SCREW, {PP:80412658} Cross Pan Hd, M4 x 40, M4x40
4	80120104	2	SCREW, M8x20, FOR NA ONLY
5	140013	2	WASHER, {PP:80140013} M4, 4MM
6	120202	2	SCREW, {PP:80120202} Cross Pan Hd, M4 x 30, M4x30, BSN C085
6	84074277	2	SCREW, M4x55, ASN D086
7	445502	1	LAMP, {PP:80445502}
8	470017	1	BULB, {PP:80470017} 12V-5W
9	9506872	1	COVER, {PP:89506872}
10	9506873	1	ELEMENT, SEALING, {PP:89506873}
11	433132	1	CONNECTOR, HYD., {PP:80433132}
12	9508323	1	PLUG, {PP:89508323}
13	9504337	4	PLUG, {PP:89504337}
14	9507881	1	HOUSING, {PP:89507881}
15	9504343	1	PLUG, {PP:89504343}
16	322355	2	WASHER, LOCK, {PP:80322355} Belleville, M4, 4MM, 30 km/h KIT
17	84002955	1	HARNESS, WIRE, LH, FOR NA ONLY
17	84035446	1	HARNESS, WIRE, LH
18	84002956	1	HARNESS, WIRE, RH, FOR NA ONLY
18	84035447	1	HARNESS, WIRE, RH
19	120014	4	SCREW, {PP:80120014} Cross Pan Hd, M6 x 20, M6x20
20	140015	4	WASHER, {PP:80140015}
21	921928	4	RING, {PP:80921928} , NOT FOR NA
23	322358	8	WASHER, LOCK, {PP:80322358} Belleville, M8, 8MM, NOT FOR NA
24	9814947	2	SUPPORT, {PP:89814947} , NOT FOR NA
25	378248	2	WASHER, {PP:80378248} , NOT FOR NA
26	84022829	2	PIN, , NOT FOR NA
27	9503523	2	PIN, {PP:89503523} , NOT FOR NA
28	84042647	1	ARM, SUPPORTING, LH, NOT FOR NA
28	84042648	1	ARM, SUPPORTING, RH, NOT FOR NA
29	418870	2	BULB, {PP:80418870}
30	398877	4	BULB, {PP:80398877}
31	84037090	2	LAMP,
32	437024	AR	REFLECTOR, LAMP, {PP:80437024} Red
33	435895	AR	REFLECTOR, LAMP, {PP:80435895} Yellow
34	435967	2	SPRING, {PP:80435967}
35	120010	4	SCREW, {PP:80120010} M4x16
36	411809	2	GROMMET, {PP:80411809} , NOT FOR NA
37	322356	4	WASHER, LOCK, {PP:80322356}
38	100013	4	NUT, {PP:80100013} M4, CI 8,

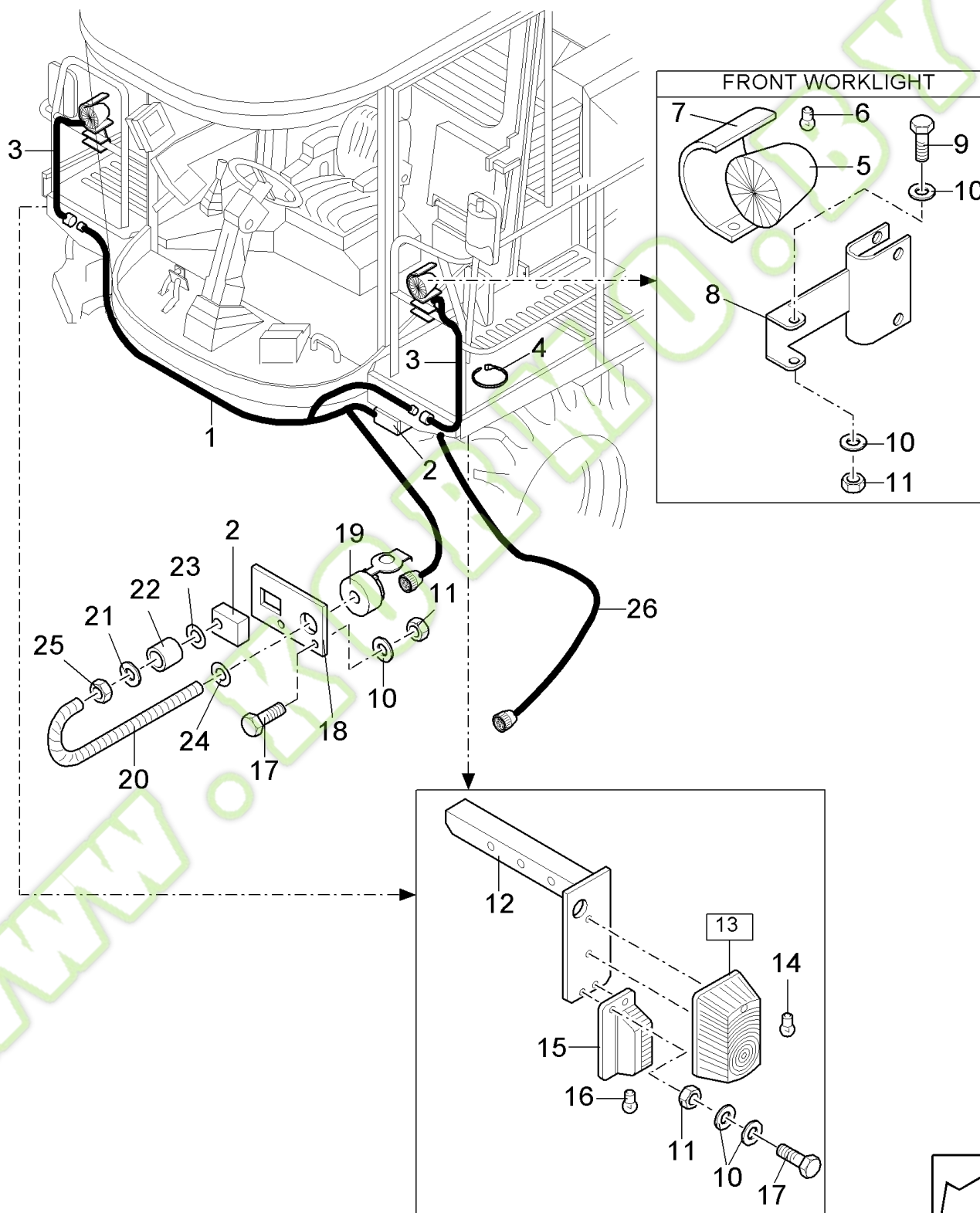
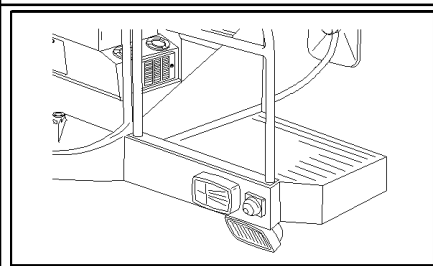


## 07.23(01) REAR LIGHTS

Ref	Part Number	Qty	Description
39	84039003	1	BUSHING, 30 km/h KIT
40	441370	2	BUSHING, {PP:80441370} 30 km/h KIT
41	412473	2	SCREW, {PP:80412473} 30 km/h KIT
42	335872	2	WASHER, {PP:80335872} 30 km/h KIT
43	84019112	1	PLATE, COVER,
44	84061106	1	HARNESS, WIRE,
45	399986	1	GROMMET, {PP:80399986}
22	16043224	8	SCREW, Hex, M8 x 16, 8.8, Full Thd, M8x16, NOT FOR NA

WWW.KORMO.BY

07.24(01) ILLUMINATION KIT

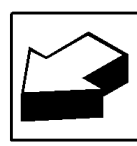
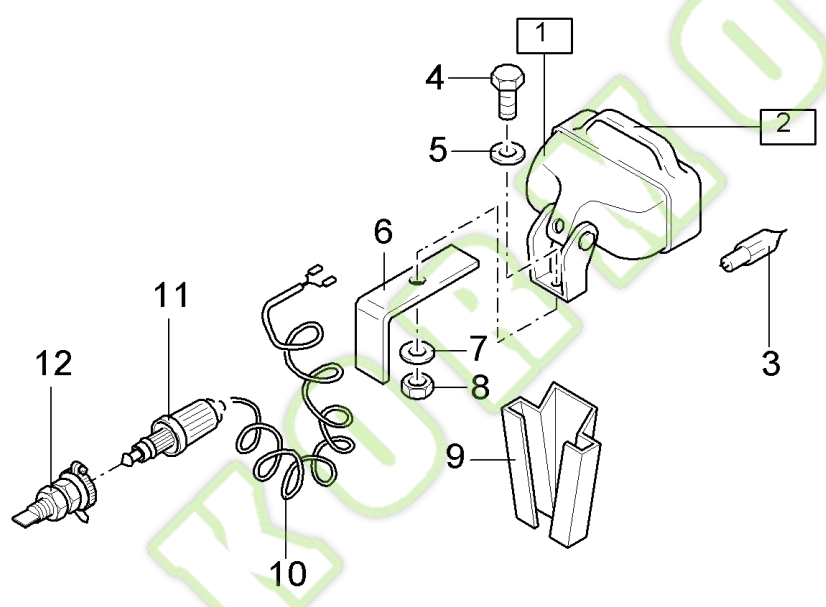
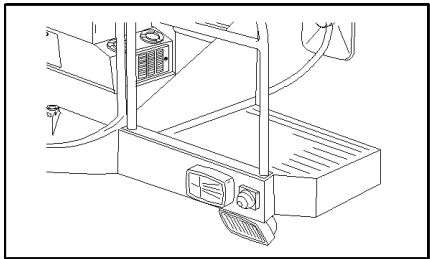


## FX48 SELF-PROPELLED FORAGE HARVESTER (9/98- )

## 07.24(01) ILLUMINATION KIT

Ref	Part Number	Qty	Description
1	84035114	1	HARNESS, WIRE,
2	84018930	2	CONNECTOR,
3	84052997	2	HARNESS, WIRE,
4	323597	14	STRAP, {PP:80323597}
5	418863	2	LAMP, {PP:80418863}
6	446592	2	BULB, {PP:80446592}
7	84039151	2	PLATE, COVER,
8	84056316	2	BRACKET,
9	120056	4	SCREW, {PP:80120056} Hex, M6 x 50, 8.8, M6x50
10	322357	18	WASHER, LOCK, {PP:80322357} Belleville, M6, Belleville, M6
11	9706755	10	NUT, {PP:89706755} M6, CI 8, M6
12	84007957	2	SUPPORT,
13	84011215	1	LAMP ASSY, SIDE, RH
13	84011216	1	LAMP ASSY, SIDE, LH
14	398877	2	BULB, {PP:80398877} 12V-21W
15	449531	2	LAMP, {PP:80449531}
16	353078	2	BULB, {PP:80353078}
17	80120099	6	SCREW, Hex, M6 x 16, 8.8, M6x16
18	84039153	1	SUPPORT,
19	398224	1	SOCKET, POWER, {PP:80398224}
20	84035127	1	HARNESS, WIRE,
21	84022438	1	WASHER, LOCK,
22	84022440	1	CONNECTOR, HYD.,
23	84022441	1	RING,
24	46288	1	GROMMET, {PP:80046288}
25	84022437	1	NUT,
26	84035002	1	HARNESS, WIRE, , FOR NA ONLY

07.25(01) WORK LIGHTS, REAR



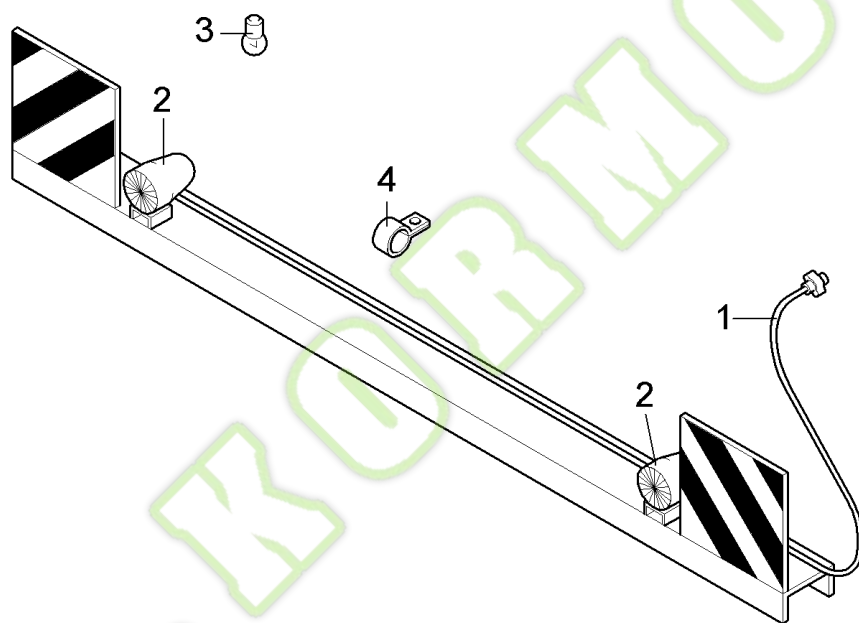
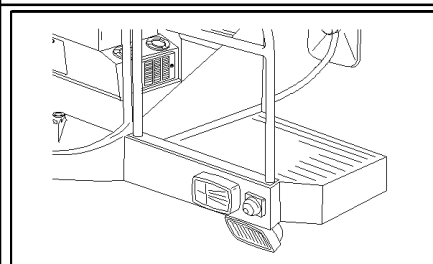
## FX48 SELF-PROPELLED FORAGE HARVESTER (9/98- )

## 07.25(01) WORK LIGHTS, REAR

Ref	Part Number	Qty	Description
1	84004176	1	LAMP, WORK, (2 to 5,7,8,10,11)
2	9837140	1	LAMP, {PP:89837140} (3)
3	9703399	AR	HEADLAMP, 12V-55W
4	80120104	2	SCREW, M8x20
5	378243	2	WASHER, {PP:80378243}
6	9813909	1	SUPPORT, {PP:89813909}
7	322358	2	WASHER, LOCK, {PP:80322358} Belleville, M8,
8	100015	2	NUT, {PP:80100015} M8, CI 8, M8
9	9837606	1	CLIP, {PP:89837606}
10	264517	1	HARNES, WIRE, {PP:80264517}
11	353969	1	CONNECTOR, {PP:80353969}
12	374418	1	SOCKET, POWER, {PP:80374418}

WWW.KORMO.BY

07.26(01) ILLUMINATION KIT



## 07.26(01) ILLUMINATION KIT

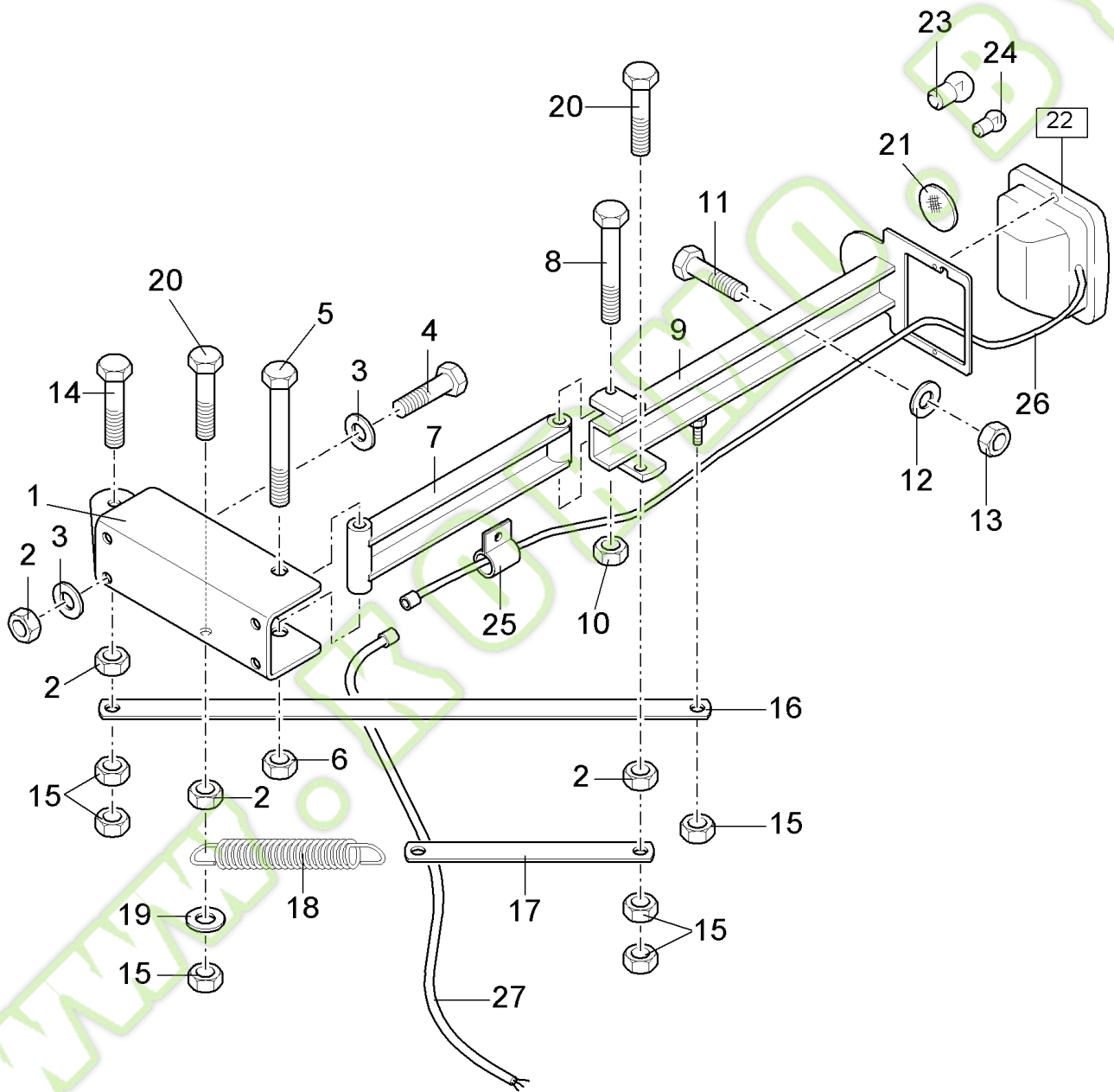
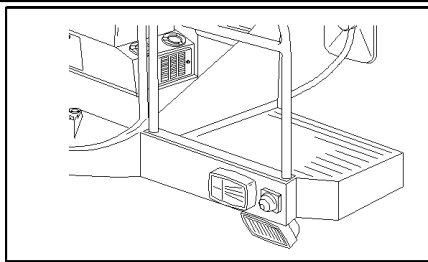
Ref	Part Number	Qty	Description
1	84035134	1	HARNESS, WIRE,
2	418863	2	LAMP, {PP:80418863}
3	446592	2	BULB, {PP:80446592}
4	9503929	8	CLAMP, {PP:89503929}

WWW.KORMO.BY

FOR ITALY ONLY



07.27(01) REAR LIGHTS





## FX48 SELF-PROPELLED FORAGE HARVESTER (9/98- )

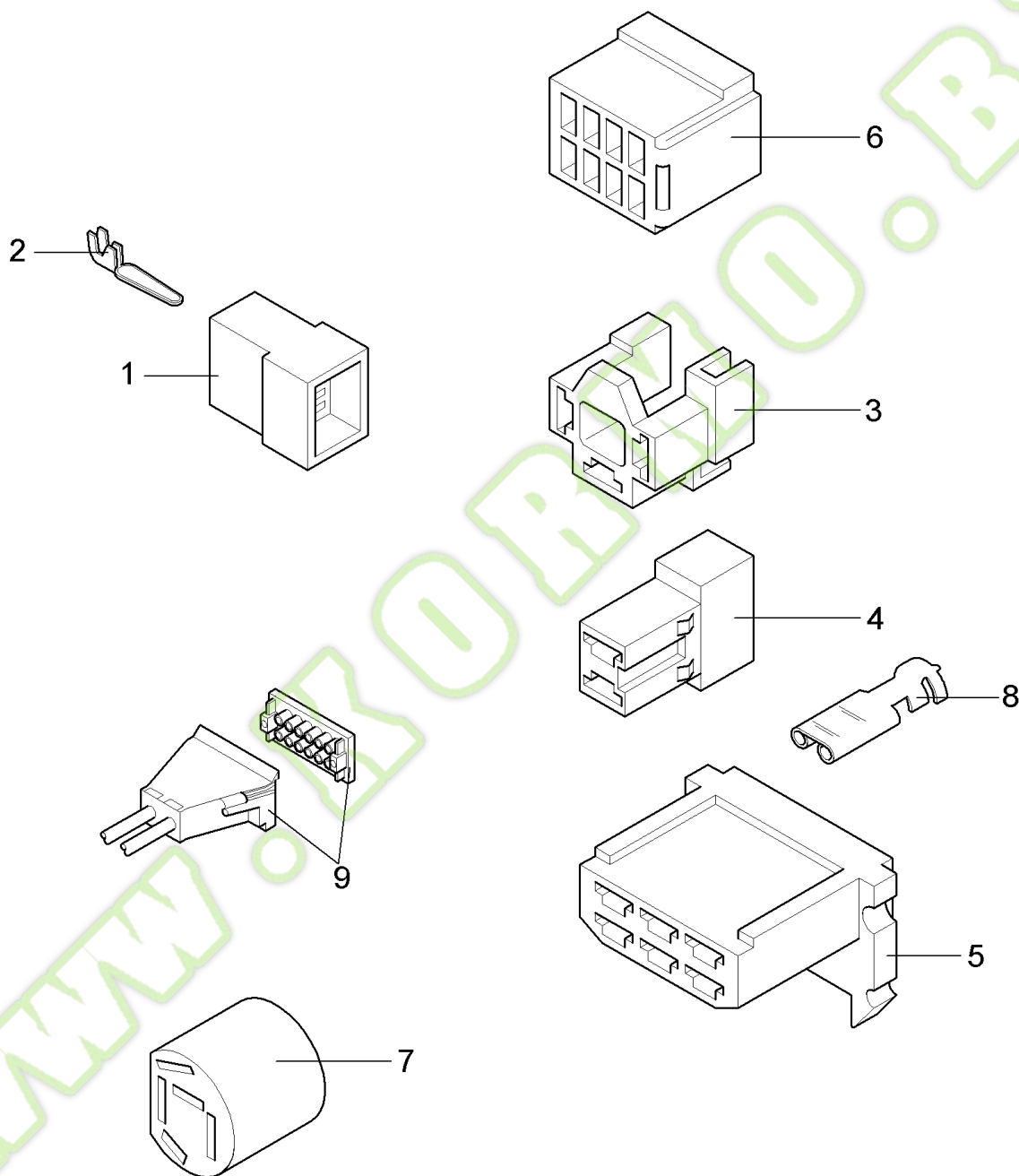
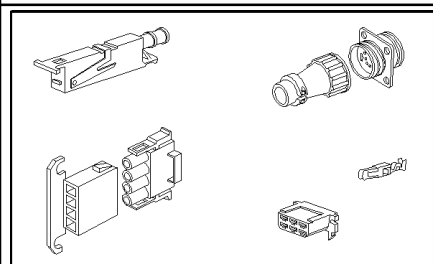
## 07.27(01) REAR LIGHTS

Ref	Part Number	Qty	Description
1	84041238	1	SUPPORT,
2	100015	6	NUT, {PP:80100015} M8, CI 8, M8
3	322358	8	WASHER, LOCK, {PP:80322358} Belleville, M8, 8MM
4	120106	4	SCREW, {PP:80120106} Hex, M8 x 40, 8.8, Full Thd, Hex, M8 x 40, 8.8, Full Thd
5	80309308	1	SCREW, M12x120
6	100038	1	NUT, LOCK, {PP:80100038} M12 x 1.75, CI 8, M12
7	84041244	1	SUPPORT,
8	120072	1	SCREW, {PP:80120072} Hex, M10 x 70, 8.8, M10x70
9	84041239	1	SUPPORT,
10	100037	1	NUT, {PP:80100037} M10 x 1.5, CI 8, M10
11	916454	1	DAMPER, {PP:80916454}
12	322357	1	WASHER, LOCK, {PP:80322357} Belleville, M6, Belleville, M6
13	9706755	1	NUT, {PP:89706755} M6, CI 8, M6
14	120060	AR	SCREW, {PP:80120060} Hex, M8 x 50, 8.8, M8x50
15	100067	AR	NUT, {PP:80100067} M8 x 1.25", CI 8, M8
16	84041249	1	SUPPORT,
17	84041248	1	SUPPORT,
18	84014792	1	SPRING,
19	378243	AR	WASHER, {PP:80378243} 8MM
20	120058	AR	SCREW, {PP:80120058} Hex, M8 x 30, 8.8, M8x30
21	437024	1	REFLECTOR, LAMP, {PP:80437024}
22	84041302	1	LAMP, (23,24)
23	418870	1	BULB, {PP:80418870} Taillight 10W
24	398877	1	BULB, {PP:80398877} Stoplight 21W
25	9503928	4	CLAMP, {PP:89503928}
26	84035084	1	HARNESS, WIRE,
27	84035294	1	HARNESS, WIRE, , FOR STANDARD LIGHT ONLY

FOR GERMANY ONLY

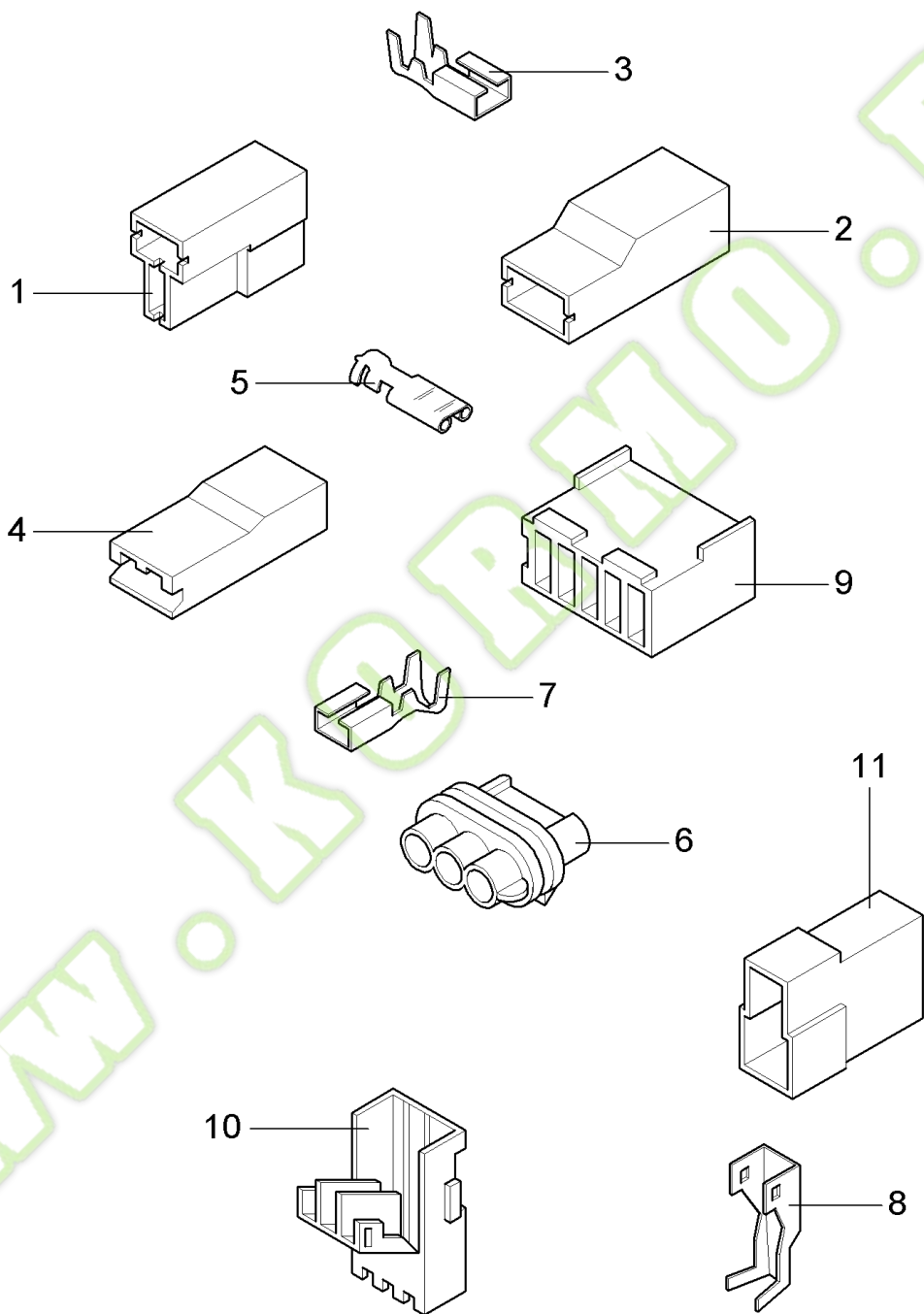
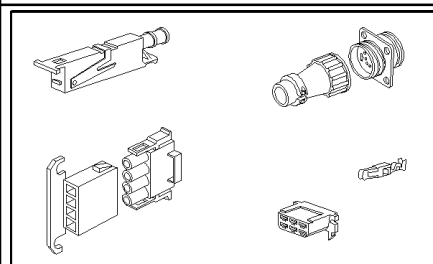


07.28(01) TERMINALS AND TERMINAL CONNECTORS

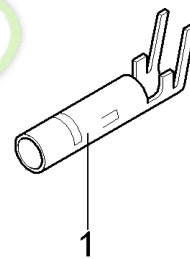
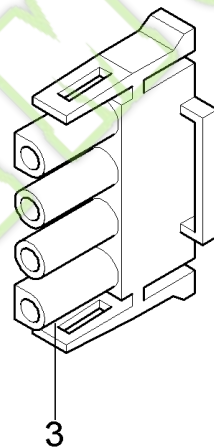
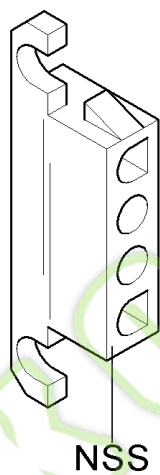
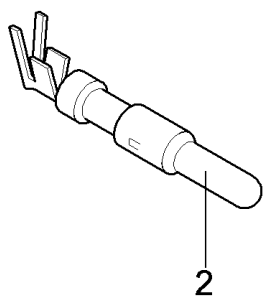
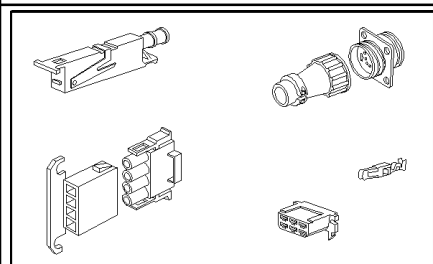


Ref	Part Number	Qty	Description
1	334699	AR	TERMINAL, {PP:80334699} 2-WH-M
2	334724	AR	TERMINAL, {PP:80334724} M 0.8-2.5
3	751307	AR	TERMINAL, {PP:80751307} 2-CL-M
4	334589	AR	CONNECTOR, WIRE, {PP:80334589} 1-WH-F
4	334698	AR	CONNECTOR, {PP:80334698} 2-WH-F
4	84015523	AR	CONNECTOR, F-2WT-V
5	334595	AR	TERMINAL, {PP:80334595} 6-WH-F
6	9503638	AR	CONNECTOR, WIRE, {PP:89503638} 8-BL-F
6	9503639	AR	CONNECTOR, WIRE, {PP:89503639} 2-BL-F
7	9850818	AR	TERMINAL, {PP:89850818} 5-BK-F
8	334588	AR	TERMINAL, {PP:80334588} F 1.0-2.5
8	334594	AR	TERMINAL, {PP:80334594} F 4-6
8	751308	AR	TERMINAL, {PP:80751308} F,Flag type
9	84018931	AR	CONNECTOR, P12
9	84018933	AR	CONNECTOR, T17

07.29(01) TERMINALS AND TERMINAL CONNECTORS



Ref	Part Number	Qty	Description
1	446133		AR CONNECTOR, {PP:80446133} 2-BK-F
2	441159		AR CONNECTOR, WIRE, {PP:80441159} 1-BK-F
3	441166		AR TERMINAL, {PP:80441166} M 0.7-2
3	441167		AR TERMINAL, {PP:80441167} F 2.5-4
3	919415		AR TERMINAL, {PP:80919415} M 4-6
4	350674		AR CONNECTOR, WIRE, {PP:80350674}
5	430026		AR TERMINAL, {PP:80430026} 1-2.5
5	84018980		AR CONNECTOR, 0.5-1.5
6	84000181		AR TERMINAL, 3-BK-F
7	84000182		AR TERMINAL, 1-2
8	84007052		AR TERMINAL,
9	84007631		AR TERMINAL, 5-BK-M
10	84007053		AR CONNECTOR, WIRE, 3-BK
11	84038366		AR CONNECTOR, WIRE,

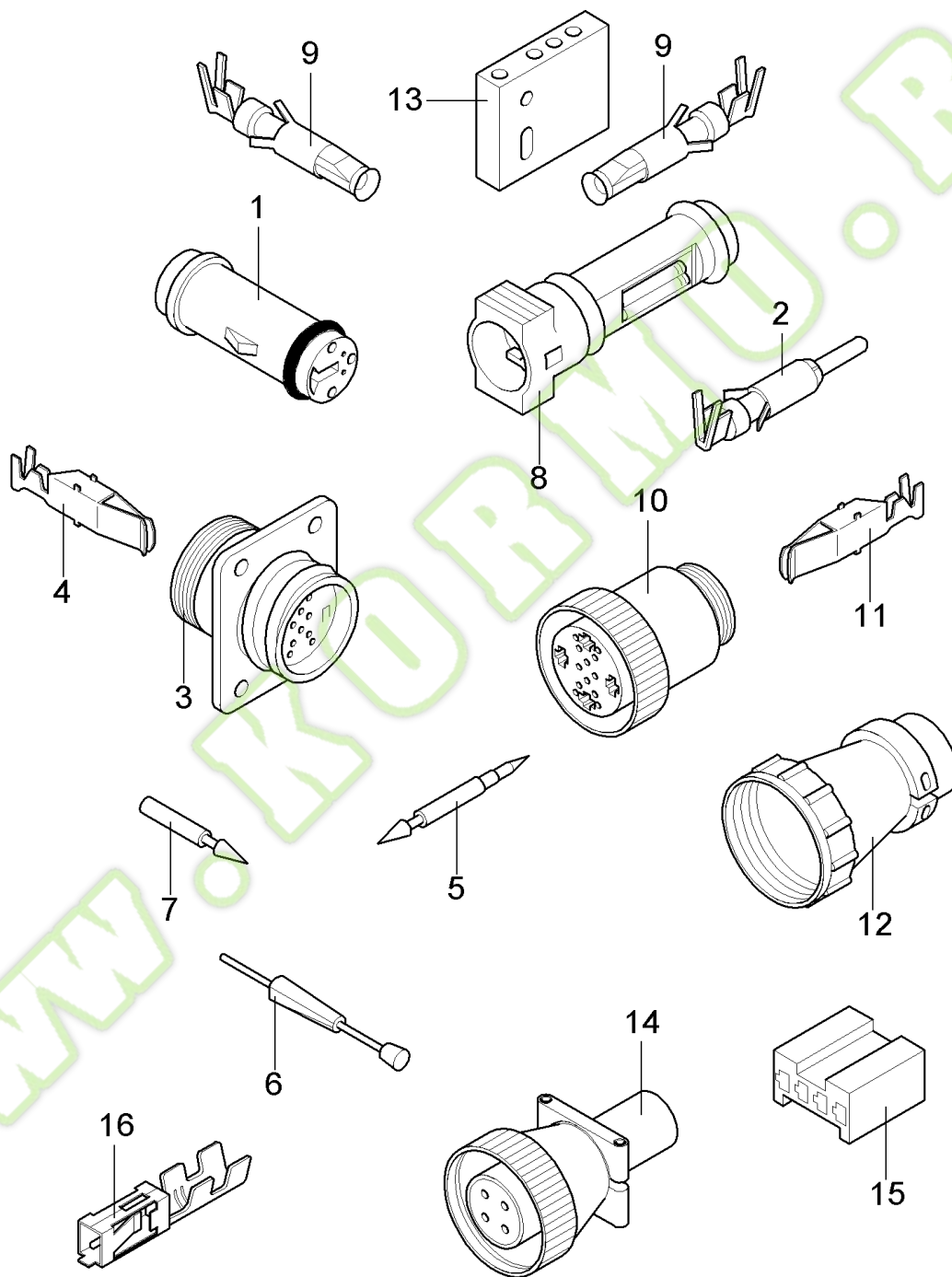
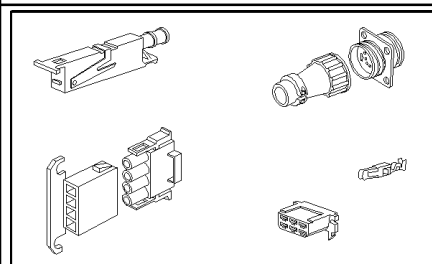


## 07.30(01) TERMINALS AND TERMINAL CONNECTORS

Ref	Part Number	Qty	Description
1	442243		AR CONNECTOR, {PP:80442243} F 1.5-3.3
1	9509740		AR CONNECTOR, {PP:89509740} 9-RD-M
2	9509742		AR CONNECTOR, {PP:89509742} M 0.5-2.1
3	442242		AR CONNECTOR, {PP:80442242} 4-RD-F
3	9503129		AR CONNECTOR, WIRE, {PP:89503129} 9-RD-F
3	9850920		AR TERMINAL, {PP:89850920} 15-RD-F
3	84004676		AR CONNECTOR, WIRE, 3-WH-F
3	9511181		AR CONNECTOR, WIRE, {PP:89511181} 6-RD-F

WWW.KORMO.BY

07.31(01) TERMINALS AND TERMINAL CONNECTORS



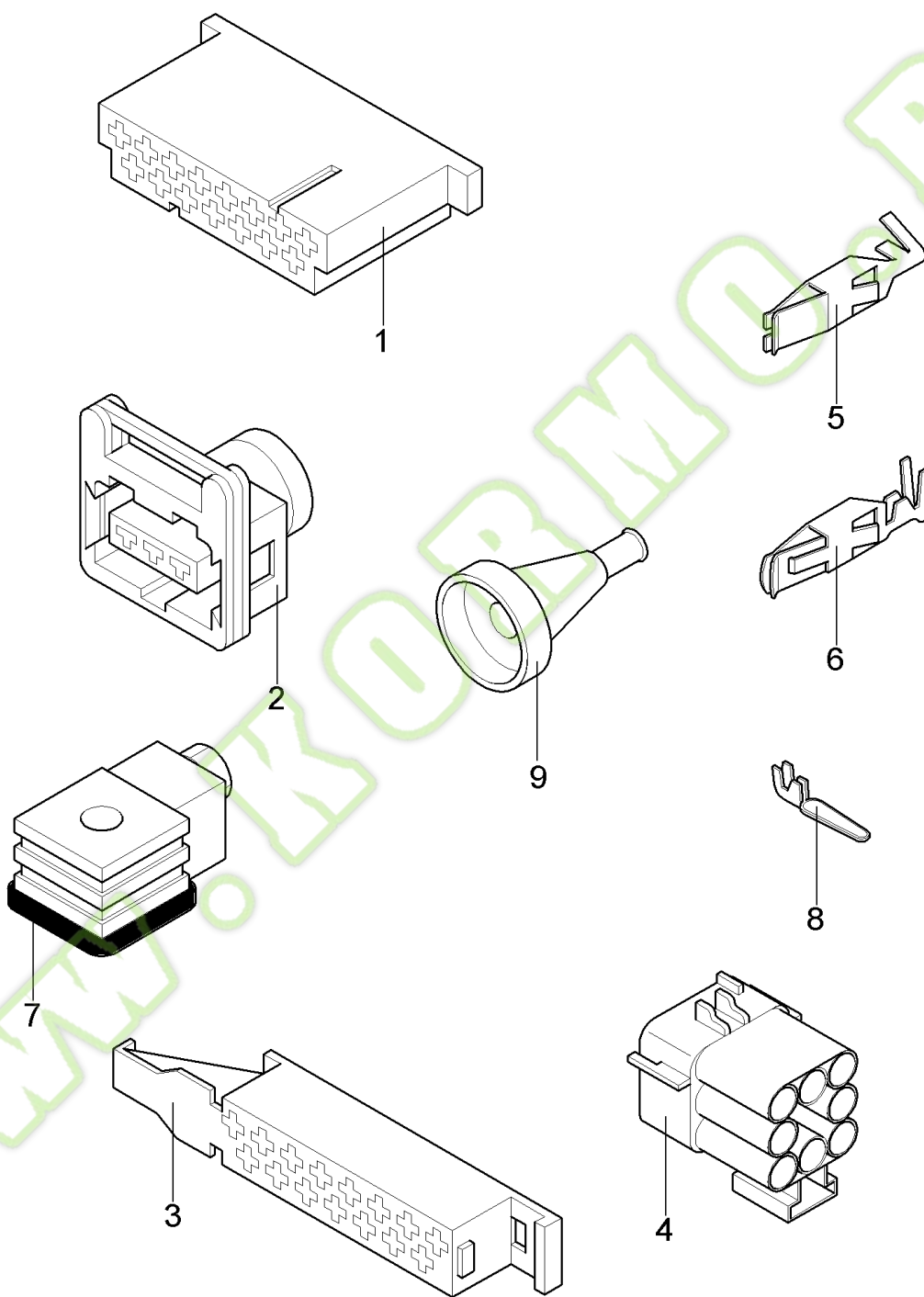
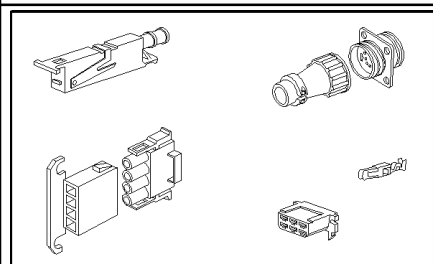


## FX48 SELF-PROPELLED FORAGE HARVESTER (9/98- )

## 07.31(01) TERMINALS AND TERMINAL CONNECTORS

Ref	Part Number	Qty	Description
1	916785	AR	CONNECTOR, {PP:80916785} 2-BK-M
1	9510662	AR	CONNECTOR, WIRE, {PP:89510662} 3-BK-M
1	916790	AR	CONNECTOR, WIRE, {PP:80916790} 4-BK-M
2	9516242	AR	TERMINAL, {PP:89516242} M 0.5-1.5
2	445521	AR	TERMINAL, {PP:80445521} M 1-2.5
3	445746	AR	CONNECTOR, WIRE, {PP:80445746} 3-BK-M
3	9504366	AR	CONNECTOR, {PP:89504366} 7-BK-M
3	447569	AR	CONNECTOR, WIRE, {PP:80447569} 16-BK-M
3	9818033	AR	CONNECTOR, WIRE, {PP:89818033} 22-BK-M
3	9504364	AR	CONNECTOR, {PP:89504364} 24-BK-M
3	9814978	AR	CONNECTOR, {PP:89814978} 37-BK-M
4	445517	AR	TERMINAL, {PP:80445517} M 1.5-4
4	445520	AR	TERMINAL, {PP:80445520} M 5-8
5	916795	AR	TOOL, SPECIAL, {PP:80916795} Mounting
6	679968	AR	TOOL, SPECIAL, {PP:80679968} Dismounting
7	916794	AR	TOOL, SPECIAL, {PP:80916794} Mounting
8	916786	AR	CONNECTOR, WIRE, {PP:80916786} 2-BK-F
8	9510663	AR	CONNECTOR, {PP:89510663} 3-BK-F
8	916791	AR	CONNECTOR, WIRE, {PP:80916791} 4-BK-F
9	445522	AR	TERMINAL, {PP:80445522} F 1.5-2.5
9	9513123	AR	TERMINAL, {PP:89513123} F 0.5-1.5
10	80445745	AR	CONNECTOR, WIRE, 3-BF-F
10	9504367	AR	CONNECTOR, {PP:89504367} 7-BK-F
10	9504361	AR	CONNECTOR, WIRE, {PP:89504361} 9-BK-F
10	445516	AR	CONNECTOR, WIRE, {PP:80445516} 16-BK-F
10	9818031	AR	CONNECTOR, WIRE, {PP:89818031} 22-BK-F
10	9504362	AR	CONNECTOR, {PP:89504362} 24-BK-F
10	9814979	AR	CONNECTOR, {PP:89814979} 37-BK-F
11	445519	AR	TERMINAL, {PP:80445519} F 1.5-4
11	445518	AR	TERMINAL, {PP:80445518} F 5-8
12	445525	AR	COLLAR, {PP:80445525} 7 & 16 TO 37 POL.
12	9511904	AR	COLLAR, {PP:89511904} 6 & 9 POL.
12	80445526	AR	COLLAR, 3 POL.
13	9504961	AR	CONNECTOR, {PP:89504961} 4-BK-F
14	84004080	AR	CONNECTOR, WIRE, 4 POL (Incl.term.)
15	84038471	AR	CONNECTOR, WIRE,
16	84038470	AR	TERMINAL, 0.5-1MM2

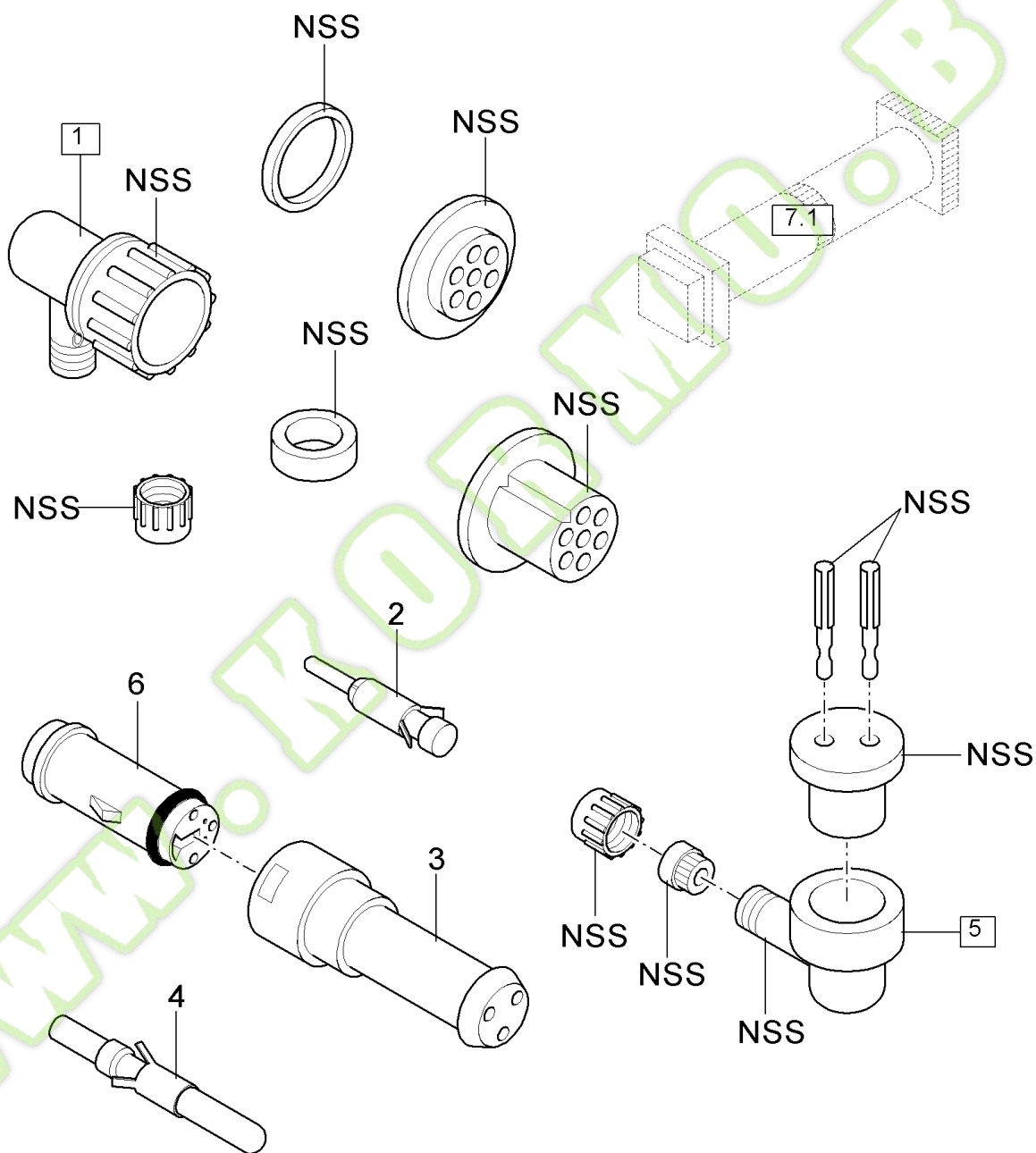
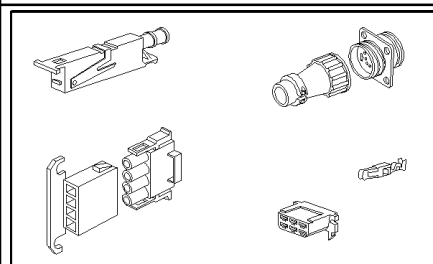
07.32(01) TERMINALS AND TERMINAL CONNECTORS



## 07.32(01) TERMINALS AND TERMINAL CONNECTORS

Ref	Part Number	Qty	Description
1	9811261	AR	CONNECTOR, {PP:89811261} 15-BK-F
2	84018969	AR	CONNECTOR, 4-BK-F
2	9850554	AR	CONNECTOR, {PP:89850554} 3-BK-F
2	9850555	AR	CONNECTOR, {PP:89850555} 2-BK-F
2	84018967	AR	CONNECTOR, 2-BK-F
2	84018971	AR	CONNECTOR, 8-BK-F
3	9510666	AR	CONNECTOR, WIRE, {PP:89510666} 25-BK
4	84018972	AR	CONNECTOR, 8-BK-M
4	84018970	AR	CONNECTOR, 4-BK-M
4	84018968	AR	CONNECTOR, 2-BK-M
5	9815256	AR	CONNECTOR, {PP:89815256} F 0.5-1.5
6	9813989	AR	TERMINAL, {PP:89813989} F 1-2.5
7	84019407	AR	CONNECTOR, HYD., 4-BK-F
7	84019408	AR	CONNECTOR, HYD., 14-A-H
8	84018981	AR	TERMINAL, M 2.00-3.00
8	84018979	AR	TERMINAL, M 0.5-1.5
9	9850832	AR	COVER, CAP, {PP:89850832} 2 POL
9	89850833	AR	COVER, CAP, 3 POL
9	9850869	AR	COVER, CAP, {PP:89850869} 4 POL

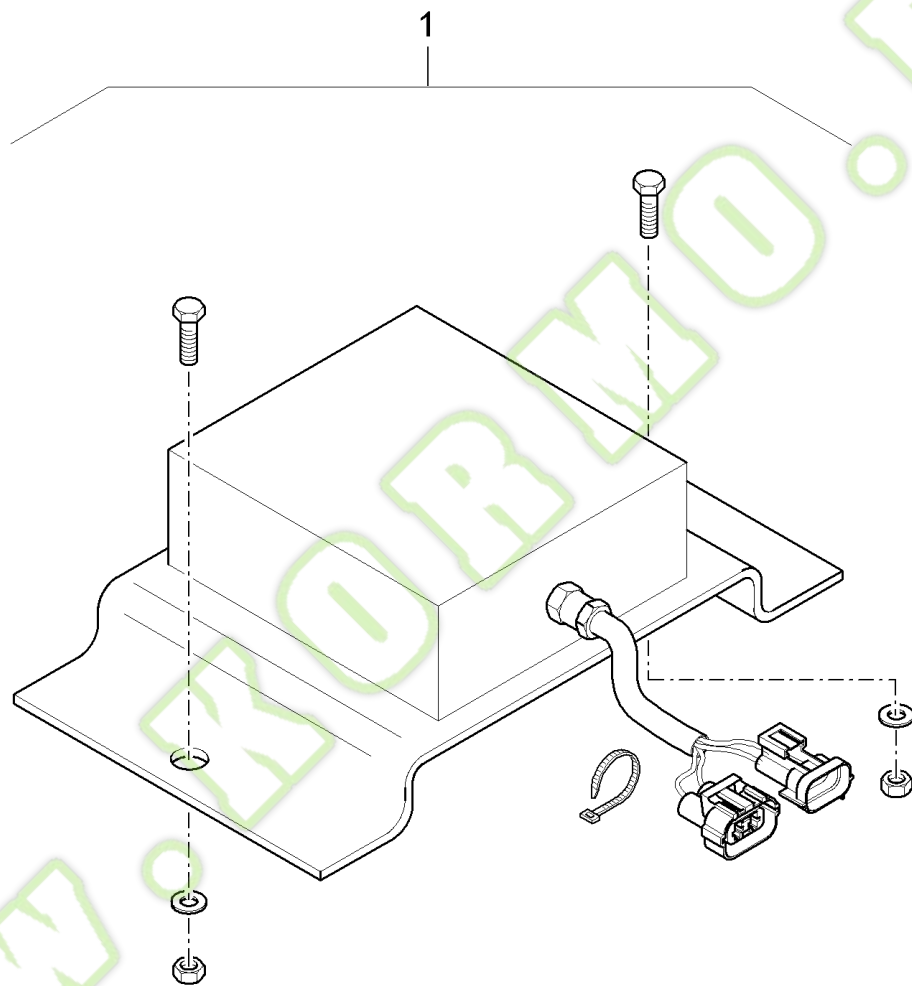
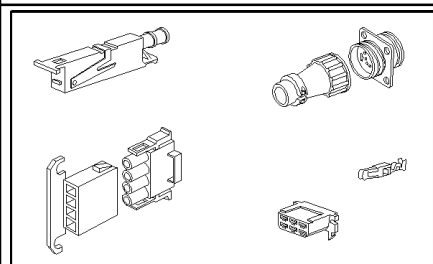
07.33(01) CENTRAL LUBRICATION SYSTEM, TERMINALS AND TERMINAL CONNECTORS



Ref	Part Number	Qty	Description
1	84038036	1	CONNECTOR, WIRE, Set 8-Pole (2)
2	9513123	AR	TERMINAL, {PP:89513123} F 0.5-1.5
3	9510663	1	CONNECTOR, {PP:89510663}
4	9516242	1	TERMINAL, {PP:89516242}
5	84038037	1	CONNECTOR, WIRE, Set 2-Pole
6	9510662	AR	CONNECTOR, WIRE, {PP:89510662} 3-BK-M

WWW.KORMO.BY

07.34(01) SOFT START KIT



FOR RI450 HEADER ONLY

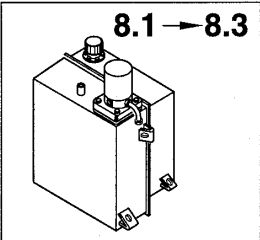
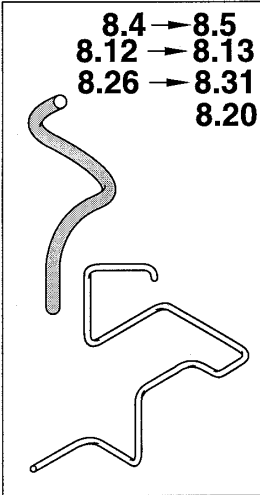
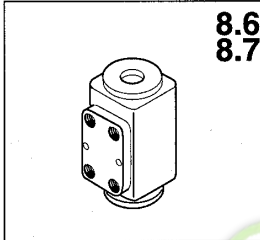
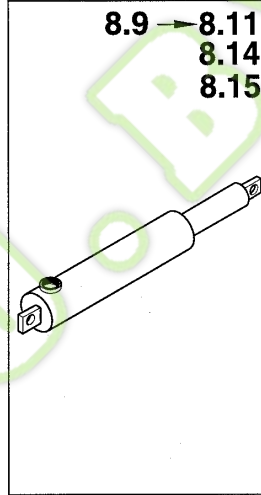
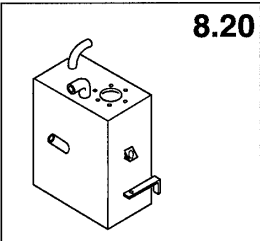
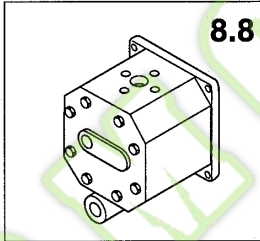
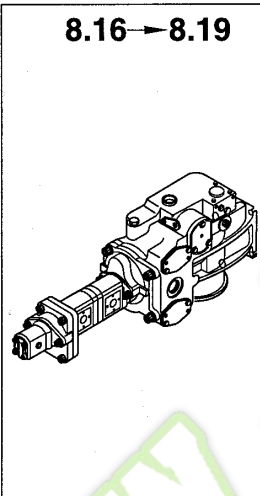
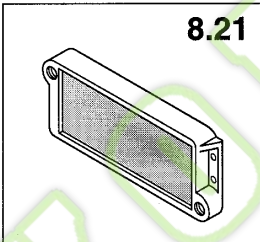
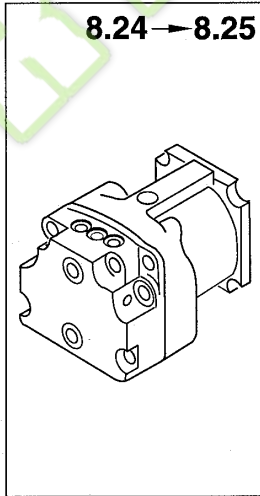
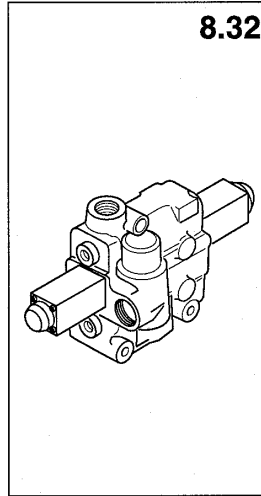
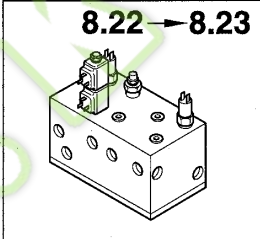
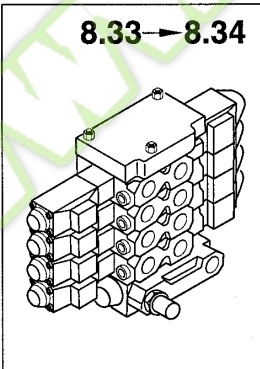
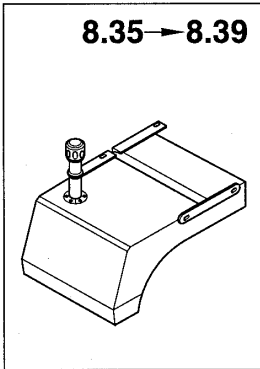
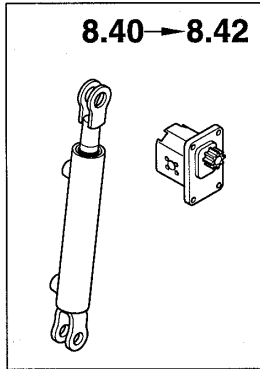
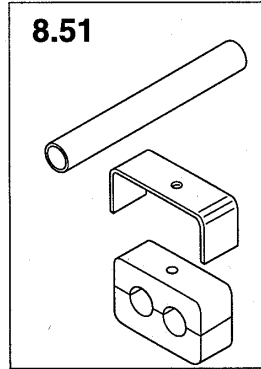
07.34(01) SOFT START KIT

Ref	Part Number	Qty	Description
1	84070374	1	DIA KIT, HARVESTER,

WWW.KORMO.BY

FOR RI450 HEADER ONLY

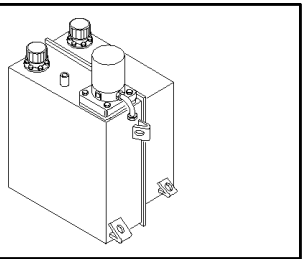


SECTIONS SEZIONI	SECTIONS ABSCHNITTE	SECCIONES SECÇÕES	AFSNIT SECTIES
<b>SEC. 8</b>			
<p>8.1 → 8.3</p> 	<p>8.4 → 8.5 8.12 → 8.13 8.26 → 8.31 8.20</p> 	<p>8.6 8.7</p> 	<p>8.9 → 8.11 8.14 8.15</p> 
<p>8.20</p> 		<p>8.8</p> 	
<p>8.16 → 8.19</p> 	<p>8.21</p> 	<p>8.24 → 8.25</p> 	<p>8.32</p> 
	<p>8.22 → 8.23</p> 		
<p>8.33 → 8.34</p> 	<p>8.35 → 8.39</p> 	<p>8.40 → 8.42</p> 	<p>8.51</p> 

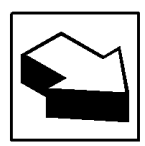
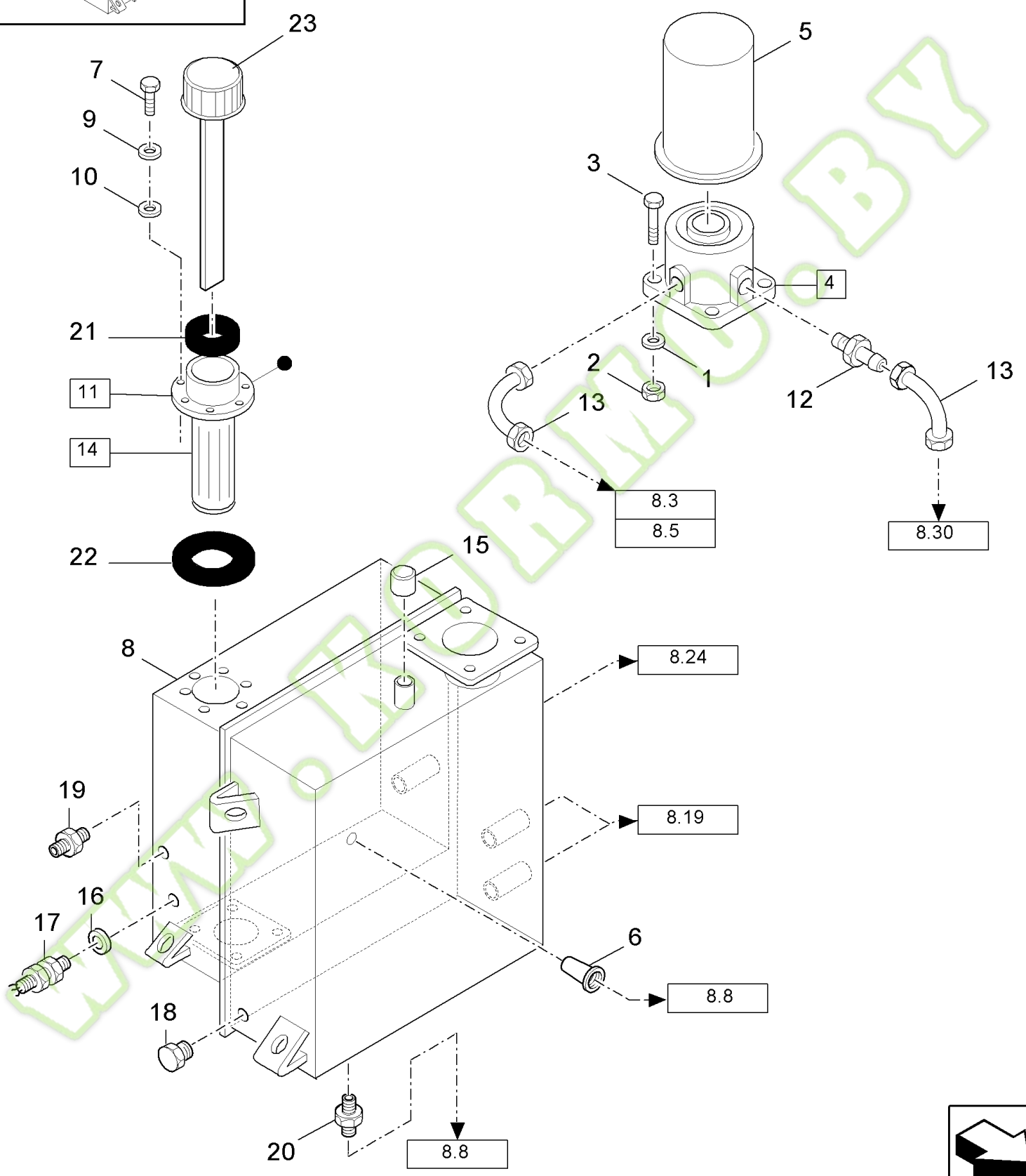


Ref	Part Number	Qty	Description
<p>WWW.KORMO.BY</p>			

08.01(01) HYDRAULIC TANK



● = 24

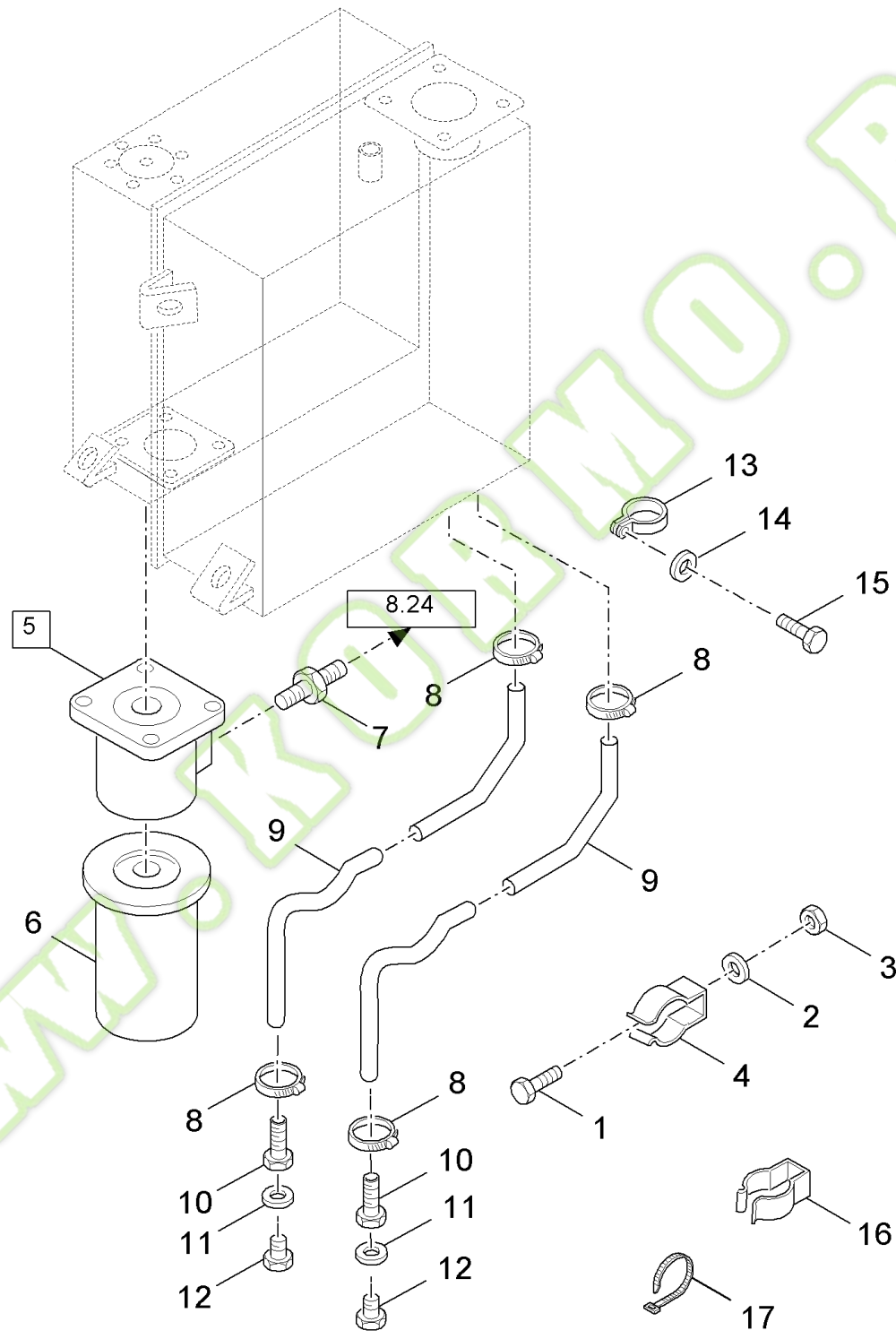
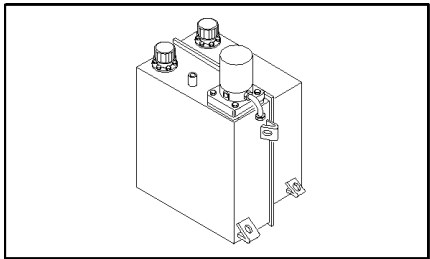


## FX48 SELF-PROPELLED FORAGE HARVESTER (9/98- )

## 08.01(01) HYDRAULIC TANK

Ref	Part Number	Qty	Description
1	322358	4	WASHER, LOCK, {PP:80322358} Belleville, M8, 8MM
2	89706690	4	NUT, CL 8, M8 x 1.25 x 13.0
3	43127	4	BOLT, {PP:80043127} Hex, M8 x 25, 8.8, Cap, HH, CL 8.8, M8 x 1.25 x 25
4	9811704	1	FILTER, ENGINE OIL, {PP:89811704} (5)
5	9814477	1	FILTER, ELEMENT, {PP:89814477}
6	9814028	1	NUT, {PP:89814028} M10
7	120098	6	SCREW, {PP:80120098} Hex, M5 x 20, 8.8, Full Thd, M5x20
8	84042487	1	RESERVOIR, HYDRAULIC OIL, , BSN C173
8	84429993	1	RESERVOIR, HYDRAULIC OIL, , ASN D174
9	322356	6	WASHER, LOCK, {PP:80322356}
10	373817	6	ELEMENT, SEALING, {PP:80373817}
11	9508292	1	FILTER, {PP:89508292} (14, 21 to 23)
12	9501819	1	CONNECTOR, HYD., {PP:89501819}
13	84019177	2	ELBOW,
14	9811443	1	FILTER, ELEMENT, {PP:89811443} (22)
15	9817518	1	BREATHER, {PP:89817518}
16	9511034	1	GASKET, {PP:89511034}
17	84021678	1	SENDER UNIT,
18	417006	1	PLUG, {PP:80417006}
19	9501819	1	CONNECTOR, HYD., {PP:89501819} , ASN D174
20	84036286	1	CONNECTOR, HYD., , ASN D174
21	NSS	1	NOT SERVICED SEPARATELY, SEAL
22	NSS	1	NOT SERVICED SEPARATELY, SEAL
23	NSS	1	NOT SERVICED SEPARATELY, COVER
24	84037210	1	KIT, SEALS,

08.02(01) HYDRAULIC TANK

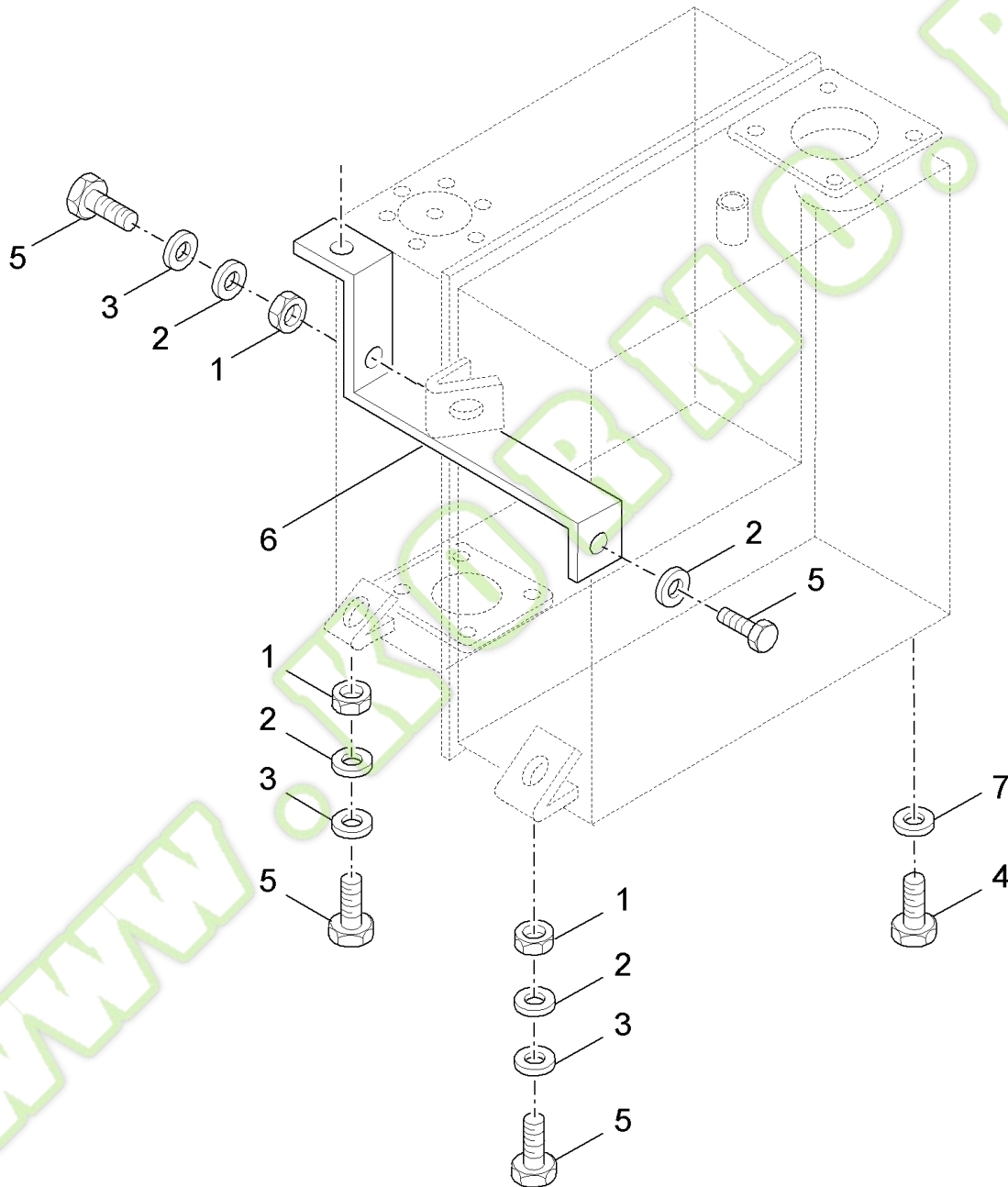
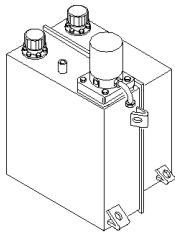


## FX48 SELF-PROPELLED FORAGE HARVESTER (9/98- )

## 08.02(01) HYDRAULIC TANK

Ref	Part Number	Qty	Description
1	120100	2	BOLT, {PP:80120100} Hex, M6 x 20, 8.8, M6x20
2	322357	4	WASHER, LOCK, {PP:80322357} Belleville, M6, Belleville, M6
3	9824326	2	WASHER, {PP:89824326} M5, M6
4	362627	2	CLIP, {PP:80362627}
5	457411	1	FILTER, ENGINE OIL, {PP:80457411} (6)
6	457412	1	FILTER, ELEMENT, {PP:80457412}
7	9516479	1	CONNECTOR, HYD., {PP:89516479}
8	326082	AR	CLAMP, {PP:80326082}
9	80446648	2	HOSE,
10	80326079	2	CONNECTOR, HYD.,
11	722441	2	GASKET,
12	150060	2	PLUG, {PP:80150060}
13	600427	AR	CLAMP, {PP:80600427}
14	322358	AR	WASHER, LOCK, {PP:80322358} Belleville, M8, 8MM
15	43127	AR	BOLT, {PP:80043127} Hex, M8 x 25, 8.8, Cap, HH, CL 8.8, M8 x 1.25 x 25
16	9511662	2	CLAMP, {PP:89511662}
17	396718	AR	STRAP, {PP:80396718}

08.03(01) HYDRAULIC TANK

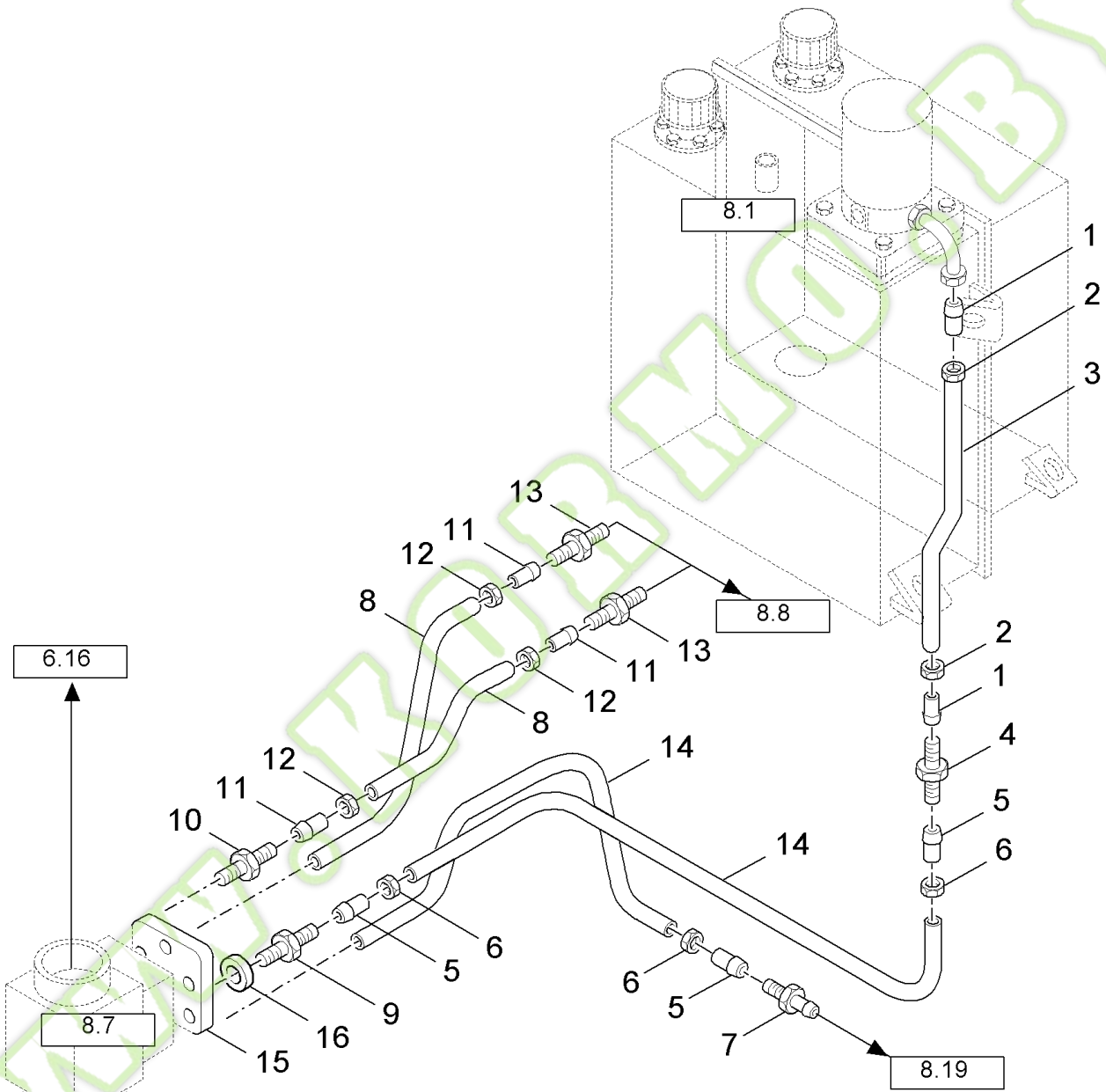
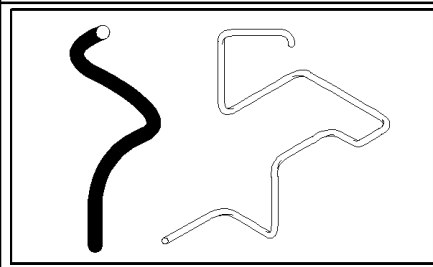


## 08.03(01) HYDRAULIC TANK

Ref	Part Number	Qty	Description
1	89706690	4	NUT, CL 8, M8 x 1.25 x 13.0
2	322358	5	WASHER, LOCK, {PP:80322358} Belleville, M8, 8MM
3	140016	4	WASHER, {PP:80140016} M8 x 16 x 1.6, 8MM
4	300442	1	SCREW, {PP:80300442} Hex Soc Hd, M10 x 30, 8.8, M10x30
5	43127	4	BOLT, {PP:80043127} Hex, M8 x 25, 8.8, Cap, HH, CL 8.8, M8 x 1.25 x 25
6	84023231	1	SUPPORT,
7	140045	1	WASHER, LOCK, {PP:80140045} Belleville, M10, 10MM

WWW.KORMO.BY

08.04(01) STEERING VALVE





## FX48 SELF-PROPELLED FORAGE HARVESTER (9/98- )

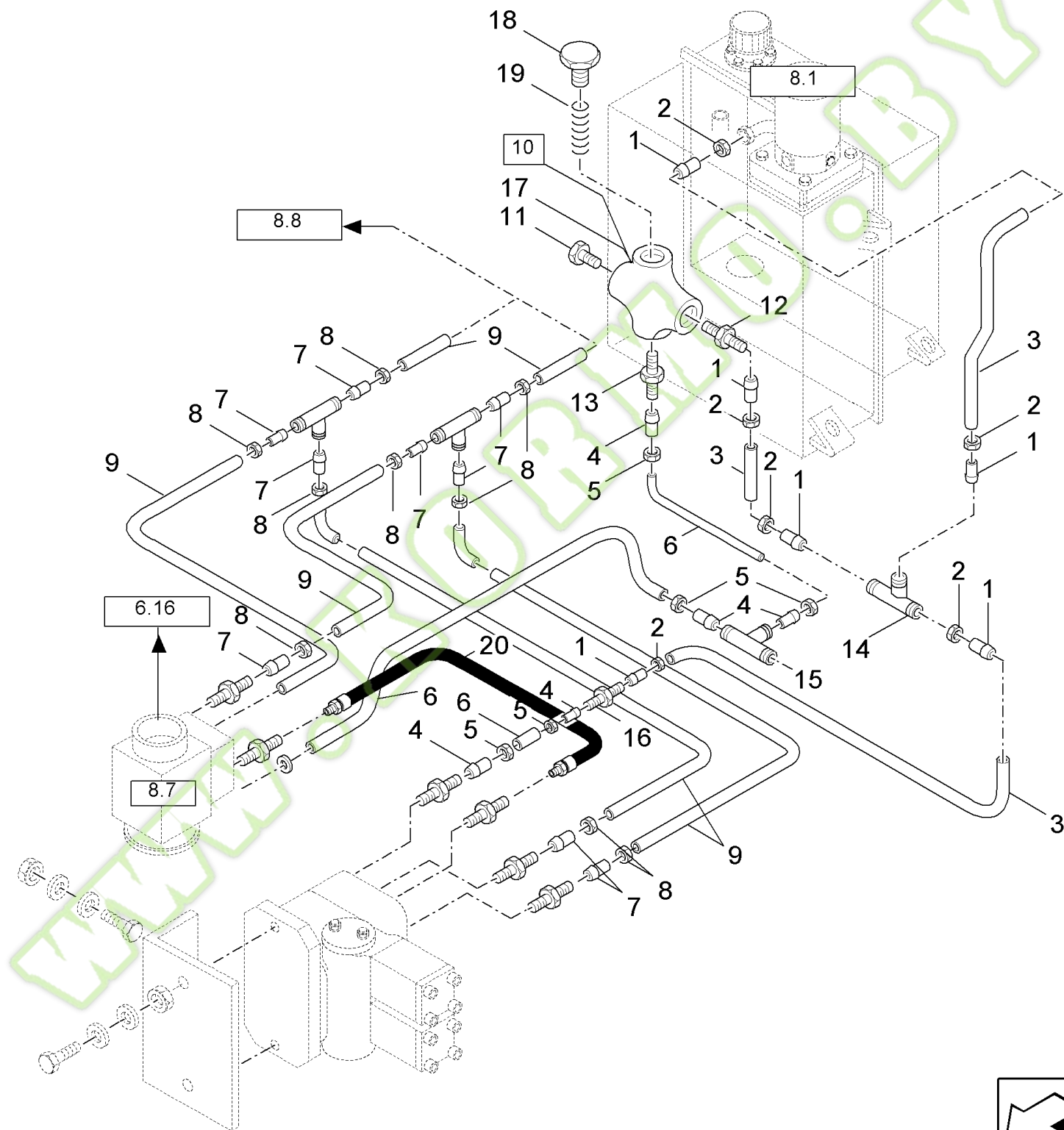
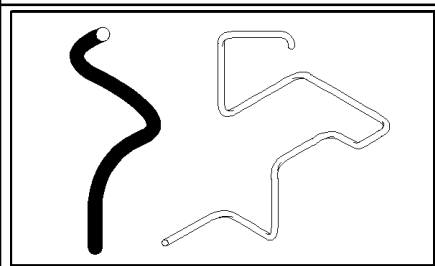
## 08.04(01) STEERING VALVE

Ref	Part Number	Qty	Description
1	335168	2	FERRULE, {PP:80335168}
2	335170	2	NUT, {PP:80335170}
3	371534	AR	TUBE, RIGID, {PP:80371534} D=18
4	458717	1	CONNECTOR, HYD., {PP:80458717}
5	335169	4	FERRULE, {PP:80335169}
6	335171	4	NUT, {PP:80335171}
7	335174	1	CONNECTOR, HYD., {PP:80335174}
8	371539	AR	TUBE, RIGID, {PP:80371539} D=10
9	394372	2	CONNECTOR, HYD., {PP:80394372}
10	395019	2	CONNECTOR, HYD., {PP:80395019}
11	150014	4	FERRULE, {PP:80150014}
12	100042	4	NUT, {PP:80100042}
13	150017	2	CONNECTOR, HYD., {PP:80150017}
14	371536	AR	TUBE, RIGID, {PP:80371536} D=16
15	80750406	1	ADAPTER,
16	84022824	1	VALVE, RESTRICTOR, , BSN C217

LESS AUTOPILOT



08.05(01) STEERING VALVE



WITH AUTOPILOT

## FX48 SELF-PROPELLED FORAGE HARVESTER (9/98- )

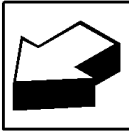
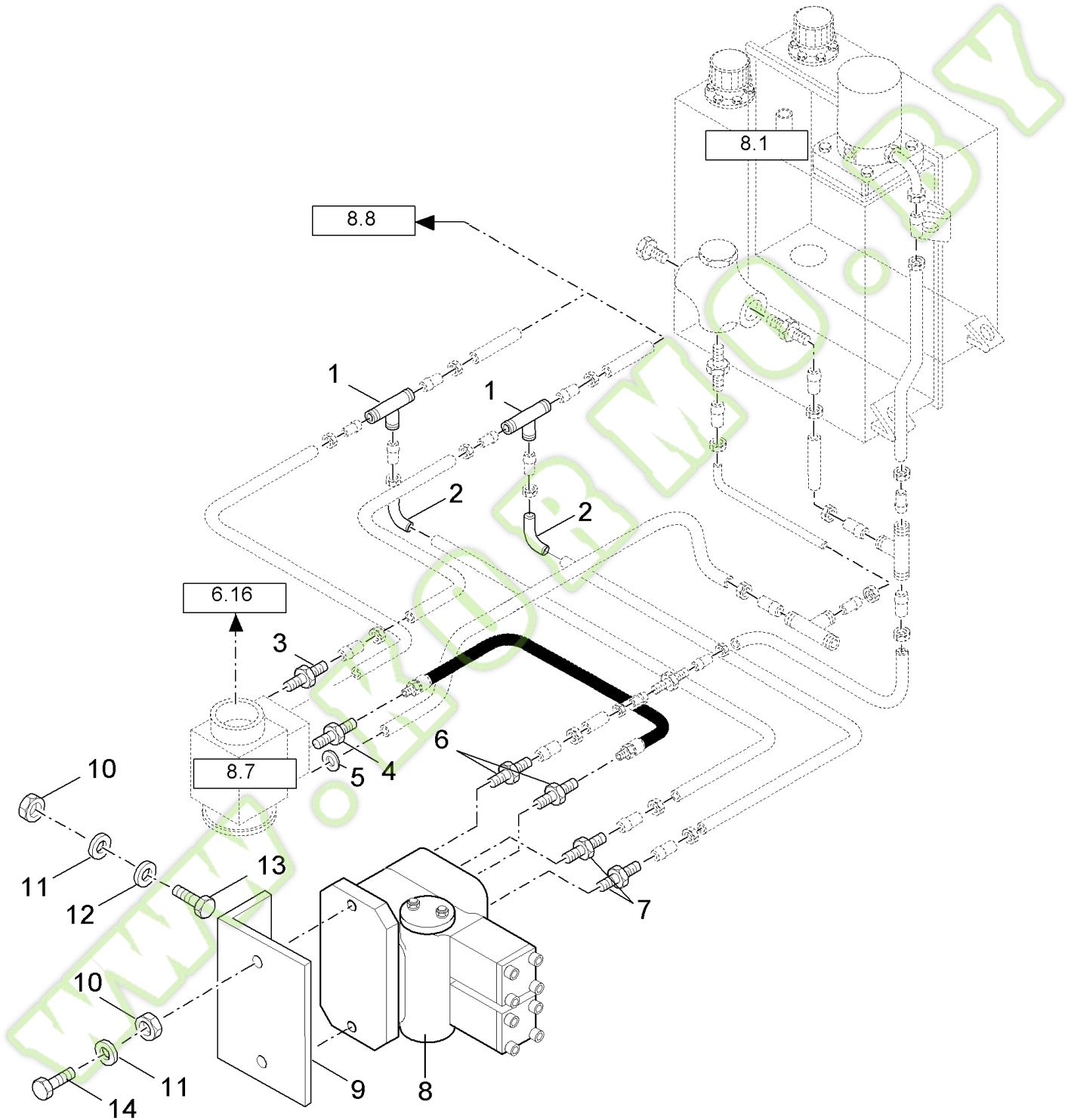
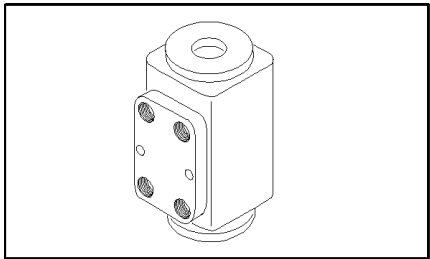
## 08.05(01) STEERING VALVE

Ref	Part Number	Qty	Description
1	335168	6	FERRULE, {PP:80335168}
2	335170	6	NUT, {PP:80335170}
3	371534	AR	TUBE, RIGID, {PP:80371534} D=18
4	335169	8	FERRULE, {PP:80335169}
5	335171	8	NUT, {PP:80335171}
6	371536	AR	TUBE, RIGID, {PP:80371536} D=16
7	150014	12	FERRULE, {PP:80150014}
8	100042	12	NUT, {PP:80100042}
9	371539	AR	TUBE, RIGID, {PP:80371539} D=10
10	84017655	1	VALVE, PRESSURE RELIEF, (17 to 19)
11	417006	1	PLUG, {PP:80417006}
12	394373	1	CONNECTOR, HYD., {PP:80394373}
13	394372	1	CONNECTOR, HYD., {PP:80394372}
14	379431	1	CONNECTION, 3 WAY, {PP:80379431}
15	444325	1	CONNECTION, 3 WAY, {PP:80444325}
16	458717	1	CONNECTOR, HYD., {PP:80458717}
17	84011927	1	KIT, SEALS,
18	417006	1	PLUG, {PP:80417006}
19	9813875	1	SPRING, {PP:89813875}
20	89815904	1	HOSE, FLEXIBLE,

WITH AUTOPILOT



08.06(01) STEERING VALVE



## FX48 SELF-PROPELLED FORAGE HARVESTER (9/98- )

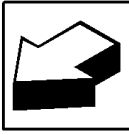
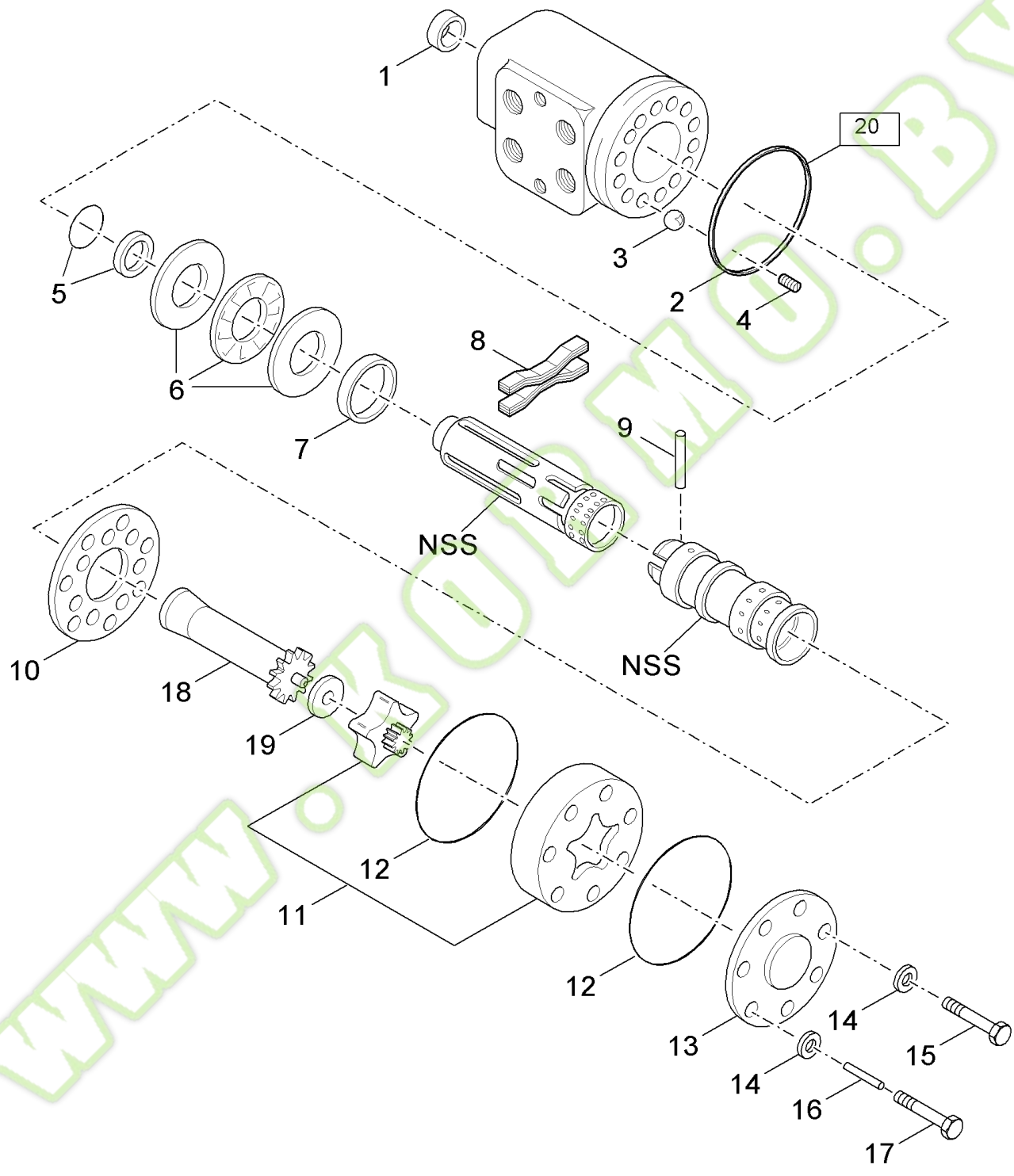
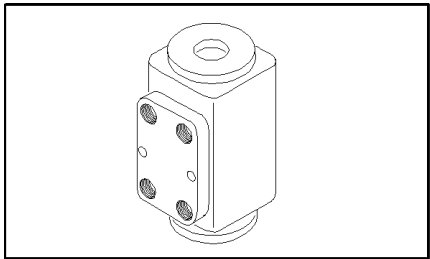
## 08.06(01) STEERING VALVE

Ref	Part Number	Qty	Description
1	395472	2	CONNECTION, 3 WAY, {PP:80395472}
2	418284	2	ELBOW, {PP:80418284}
3	80162888	2	CONNECTOR, HYD.,
4	9513143	2	CONNECTOR, HYD., {PP:89513143}
5	84022824	1	VALVE, RESTRICTOR, , BSN C217
6	89507712	2	CONNECTOR, HYD., , BSN C173
6	9850809	2	CONNECTOR, HYD., {PP:89850809} , ASN D174
7	9813512	2	CONNECTOR, HYD., {PP:89813512}
8	84019472	1	ELECTROMAGNET,
9	89835245	1	SUPPORT,
10	100015	4	NUT, {PP:80100015} M8, CI 8, M8
11	322358	4	WASHER, LOCK, {PP:80322358} Belleville, M8, 8MM
12	378243	2	WASHER, {PP:80378243} 8MM
13	80120104	2	SCREW, M8x20
14	120106	2	SCREW, {PP:80120106} Hex, M8 x 40, 8.8, Full Thd, Hex, M8 x 40, 8.8, Full Thd

WITH AUTOPILOT



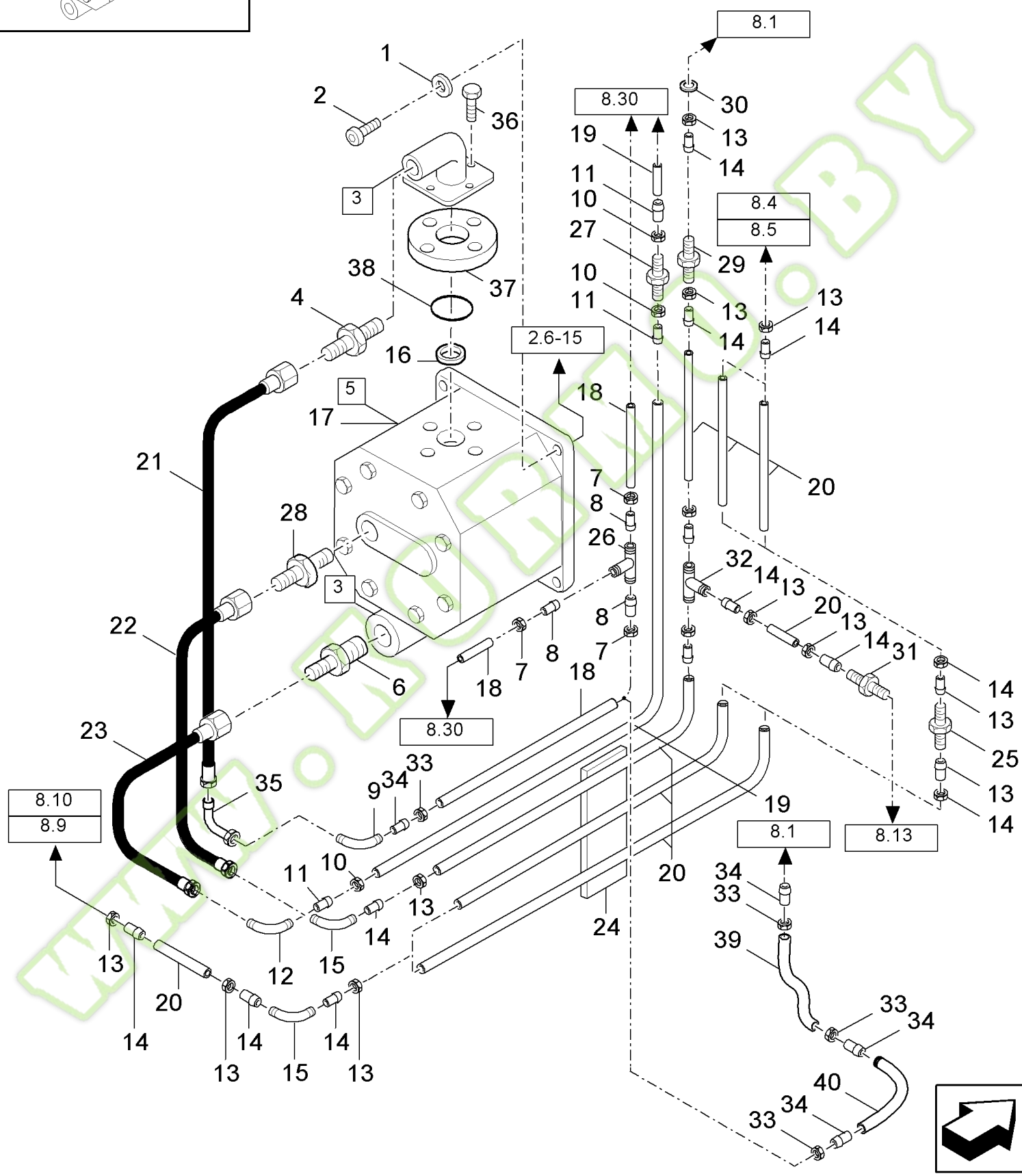
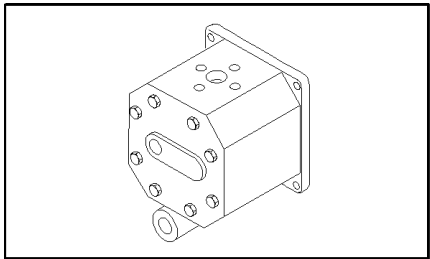
08.07(01) STEERING VALVE



## FX48 SELF-PROPELLED FORAGE HARVESTER (9/98- )

## 08.07(01) STEERING VALVE

Ref	Part Number	Qty	Description
	383941	1	VALVE, HYDRAULIC, {PP:80383941} (1 to 20), WITH AUTOPILOT, BSN C217
	84439729	1	VALVE, HYDRAULIC, (1 to 20), WITH AUTOPILOT, ASN D218
	9512589	1	VALVE, HYDRAULIC, {PP:89512589} (1 to 20), WITHOUT AUTOPILOT, BSN C217
	84989588	1	VALVE, HYDRAULIC, (1 to 20), WITHOUT AUTOPILOT, ASN D218
1	394855	1	RING, {PP:80394855}
2	327232	1	O-RING, {PP:80327232}
3	326447	1	BALL, {PP:80326447}
4	326446	1	SCREW, {PP:80326446}
5	418312	1	KIT, SEALS, {PP:80418312}
6	449242	1	SET OF RINGS, {PP:80449242} , WITHOUT AUTOPILOT
6	751022	1	BEARING, THRUST, {PP:80751022} , WITH AUTOPILOT
7	326432	1	RING, {PP:80326432}
8	433273	6	SPRING, {PP:80433273}
9	394849	1	PIN, {PP:80394849}
10	326436	1	PLATE, COVER, {PP:80326436}
11	89512593	1	KIT,
12	326440	2	O-RING, {PP:80326440}
13	326441	1	COVER, {PP:80326441}
14	326442	7	WASHER, {PP:80326442}
15	326443	6	SCREW, {PP:80326443} Hex, M8 x 1 x 40, 10.9,
16	326444	1	PIN, {PP:80326444}
17	326445	1	SCREW, {PP:80326445}
18	449241	1	SHAFT, {PP:80449241}
19	89512594	1	SPACER,
20	84053469	1	KIT, SEALS, (1,2,5,12,14)





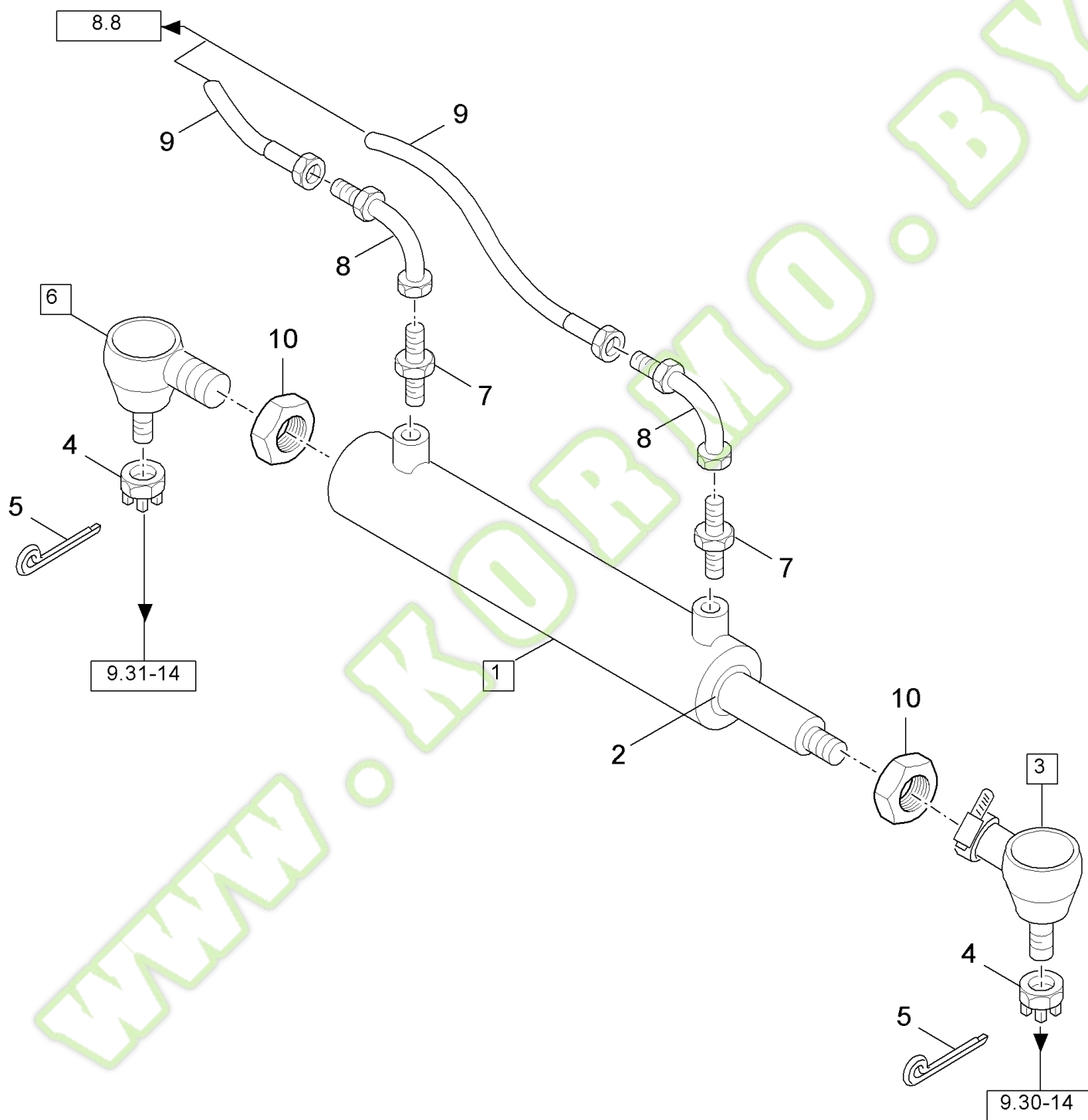
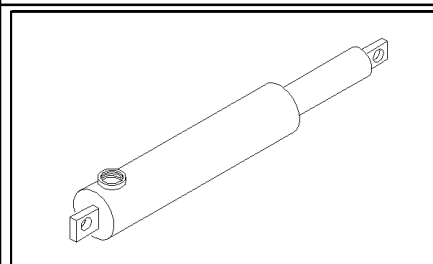
## FX48 SELF-PROPELLED FORAGE HARVESTER (9/98- )

## 08.08(01) HYDRAULIC MOTOR, CUTTERHEAD REVERSE DRIVE

Ref	Part Number	Qty	Description
1	80681	4	WASHER, LOCK, {PP:80080681} 5/16", 5/16"
2	412479	4	SCREW, {PP:80412479} Hex, M8 x 35, 8.8, M8x35
3	89813318	2	CONNECTOR, HYD., (16)
4	89835290	1	CONNECTOR, HYD., , BSN C173
4	84036286	1	CONNECTOR, HYD., , ASN D174
5	84043509	1	MOTOR, HYDRAULIC, (17)
6	89814768	1	CONNECTOR, HYD.,
7	335170	AR	NUT, {PP:80335170}
8	335168	AR	FERRULE, {PP:80335168}
9	84014048	1	ELBOW, 18MM, BSN C173
9	84431356	1	CONNECTOR, HYD., , ASN D174
10	335171	4	NUT, {PP:80335171}
11	335169	4	FERRULE, {PP:80335169}
12	84014047	1	ELBOW, 16MM
13	100042	16	NUT, {PP:80100042} M10
14	150014	16	FERRULE, {PP:80150014} 10MM
15	84007700	3	ELBOW, 10MM
16	84814915	1	GASKET,
17	84022558	1	KIT, SEALS,
18	371534	AR	TUBE, RIGID, {PP:80371534} D=18, BSN C173
18	9811333	AR	TUBE, RIGID, {PP:89811333} D=28, ASN D174
19	371536	AR	TUBE, RIGID, {PP:80371536} D=16
20	371539	AR	TUBE, RIGID, {PP:80371539} D=10
21	84017634	1	HOSE, FLEXIBLE, , BSN C173
21	84989754	1	HOSE, FLEXIBLE, , ASN D174
22	84017635	1	HOSE, FLEXIBLE,
23	89815904	2	HOSE, FLEXIBLE,
24	434097	1	BRACKET, {PP:80434097}
25	150017	3	CONNECTOR, HYD., {PP:80150017}
26	379431	1	CONNECTION, 3 WAY, {PP:80379431} , BSN C173
27	335174	1	CONNECTOR, HYD., {PP:80335174}
28	420522	1	CONNECTOR, HYD., {PP:80420522}
29	84021159	1	CONNECTOR, HYD.,
30	9832305	1	RING, {PP:89832305}
31	84064711	1	CONNECTOR, HYD.,
32	395472	1	CONNECTION, 3 WAY, {PP:80395472}
33	335170	AR	NUT, {PP:80335170} M18, BSN C173
33	412527	AR	NUT, {PP:80412527} M28, ASN D174
34	335168	AR	FERRULE, {PP:80335168} 18MM, BSN C173
34	412528	AR	FERRULE, {PP:80412528} 28MM, ASN D174
35	457573	1	ELBOW, {PP:80457573} , ASN D174
36	84000811	3	SCREW, M8x35, ASN D174
37	84989886	1	FLANGE, , ASN D174
38	84022706	1	O-RING, , ASN D174
39	9811333	AR	TUBE, RIGID, {PP:89811333} , ASN D174

Ref	Part Number	Qty	Description
40	84004868	1	CONNECTOR, HYD., , ASN D174

WWW.KORMO.BY



## 08.09(01) STEERING CYLINDER, 4- WHEEL DRIVE

Ref	Part Number	Qty	Description
1	84015551	1	ACTUATOR, (2)
2	84018470	1	KIT, REPAIR,
3	84000165	1	BALL JOINT, (4,5)
4	80398276	2	NUT, M24x1.5
5	300595	2	PIN, SPLIT (COTTER), {PP:80300595} M4 x 40,
6	84000166	1	BALL JOINT, (4,5)
7	395019	2	CONNECTOR, HYD., {PP:80395019}
8	418284	2	ELBOW, {PP:80418284}
9	338009	2	HOSE, {PP:80338009}
10	100033	2	NUT, {PP:80100033} Thin, M24 x 1.5, CI 04,

WWW.KORMO.BY



## FX48 SELF-PROPELLED FORAGE HARVESTER (9/98- )

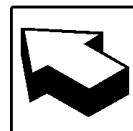
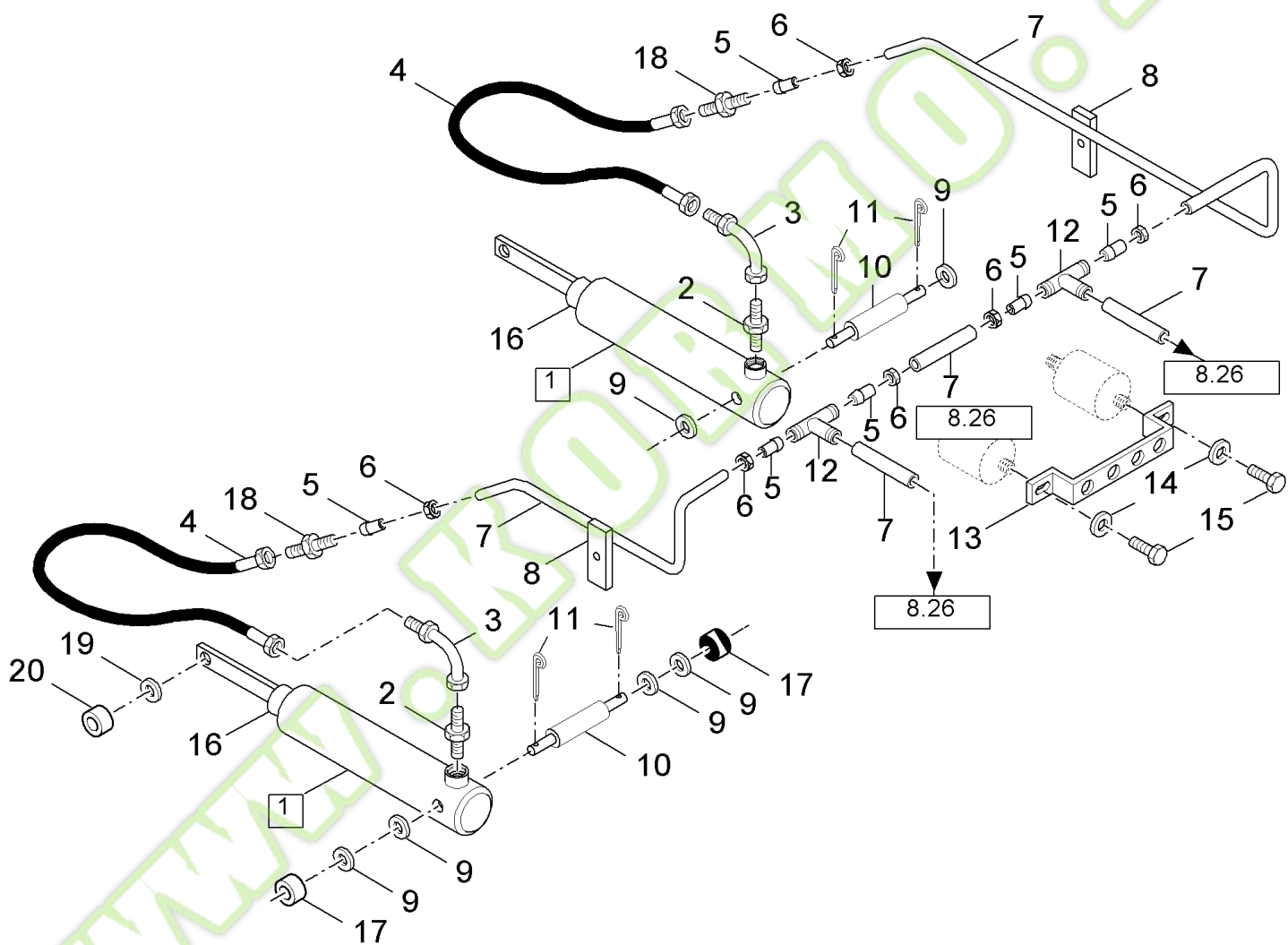
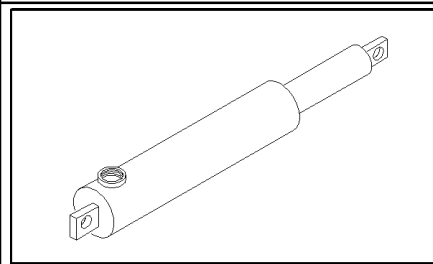
## 08.10(01) STEERING CYLINDERS, 2- WHEEL DRIVE

Ref	Part Number	Qty	Description
1	89817314	2	BALL JOINT, (2,3)
2	300595	4	PIN, SPLIT (COTTER), {PP:80300595} M4 x 40,
3	412103	4	NUT, {PP:80412103} M18
4	320771	2	NUT, {PP:80320771} Thin, M20 x 1.5, CI 04, M20
5	84036730	2	HYDRAULIC CYLINDER, (18)
6	331209	2	NUT, {PP:80331209} 13/16"-16, G2, 13/16"
7	9817315	2	BALL JOINT, {PP:89817315} (2,3)
8	395019	4	CONNECTOR, HYD., {PP:80395019}
9	418284	8	ELBOW, {PP:80418284}
10	734029	2	HOSE, FLEXIBLE, {PP:80734029}
10	84037312	2	HOSE, FLEXIBLE, , FOR NA ONLY
11	84036881	2	HOSE, FLEXIBLE,
11	916188	2	HOSE, FLEXIBLE, {PP:80916188} , FOR NA ONLY
12	734031	2	CONNECTOR, HYD., {PP:80734031}
13	371539	AR	TUBE, RIGID, {PP:80371539} D=10
14	100042	4	NUT, {PP:80100042} M10, BSN C217
14	86548975	4	NUT, M10, ASN D218
15	150014	4	FERRULE, {PP:80150014}
16	150017	2	CONNECTOR, HYD., {PP:80150017}
17	323597	4	STRAP, {PP:80323597} , FOR NA ONLY
18	84037236	2	KIT, SEALS,
19	433008	2	CLAMP, {PP:80433008}
20	433101	1	SUPPORT, {PP:80433101}
21	300508	1	SCREW, {PP:80300508} Hex, M6 x 45, 8.8, M6x45
22	140015	1	WASHER, {PP:80140015} 6MM
23	353308	1	NUT, {PP:80353308} M6 x 1, CI 8, M6

FOR 2-WHEEL DRIVE ONLY



08.11(01) HYDRAULIC PARTS FOR CUTTERHEAD



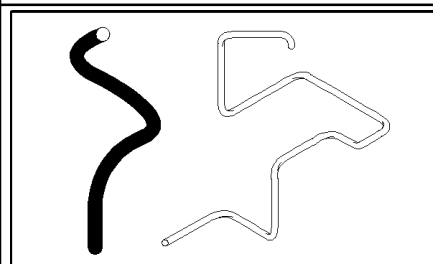
## FX48 SELF-PROPELLED FORAGE HARVESTER (9/98- )

## 08.11(01) HYDRAULIC PARTS FOR CUTTERHEAD

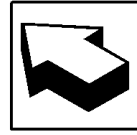
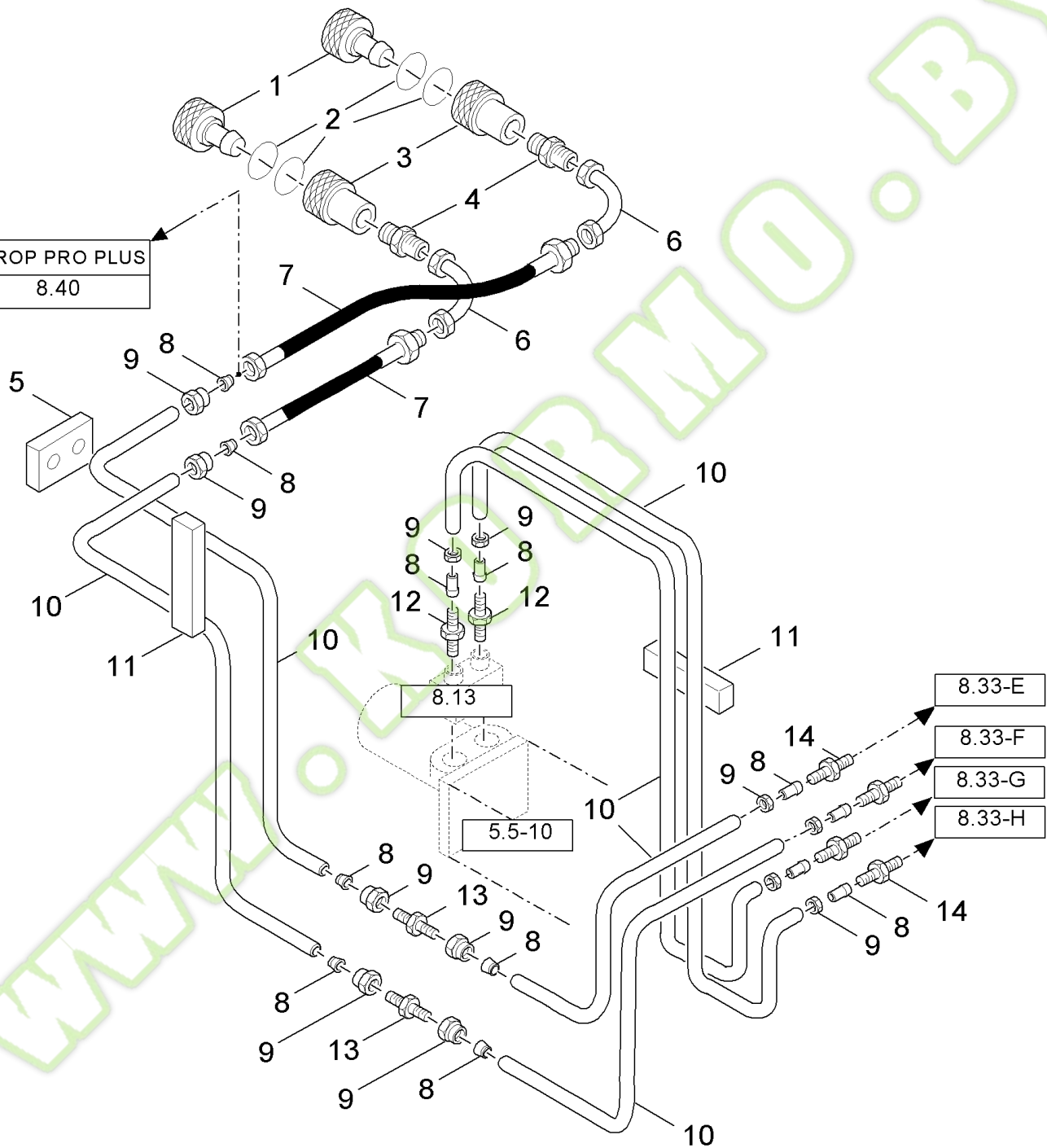
Ref	Part Number	Qty	Description
1	89808733	2	HYDRAULIC CYLINDER, (16), FOR FX28-38 ONLY
1	84042243	2	HYDRAULIC CYLINDER, (16), FOR FX48-58 ONLY
2	395782	2	CONNECTOR, HYD., {PP:80395782}
3	9508529	2	ELBOW, {PP:89508529}
4	160164	2	HOSE, {PP:80160164}
4	84431474	2	HOSE, FLEXIBLE, , IN COMBINATION WITH CROP PRO PLUS
5	150015	6	FERRULE, {PP:80150015}
6	100043	6	NUT, {PP:80100043} M12
7	9513719	AR	TUBE, RIGID, {PP:89513719} D=12
8	84000889	2	BRACKET,
9	140022	AR	WASHER, {PP:80140022} M24 x 44 x 4, 26MM
10	89812447	2	PIN,
11	89515820	4	PIN, SPLIT (COTTER),
12	150019	2	CONNECTION, 3 WAY, {PP:80150019}
13	84014005	1	SUPPORT,
14	140045	2	WASHER, LOCK, {PP:80140045} Belleville, M10,
15	43140	2	BOLT, {PP:80043140} Hex, M10 x 30, 8.8, M10x30
16	84022130	2	KIT, REPAIR, , FOR FX28-38 ONLY
16	84042503	2	KIT, REPAIR, , FOR FX48-58 ONLY
17	84435505	2	RING, 26MM, THK.:14MM, FOR NA ONLY
18	150018	2	CONNECTOR, HYD., {PP:80150018} , IN COMBINATION WITH CROP PRO PLUS
19	140022	2	WASHER, {PP:80140022} M24 x 44 x 4, 26MM
20	84435505	2	RING,



08.12(01) HYDRAULIC LINES, SPOUT AND FRONT HYDRAULIC LINES



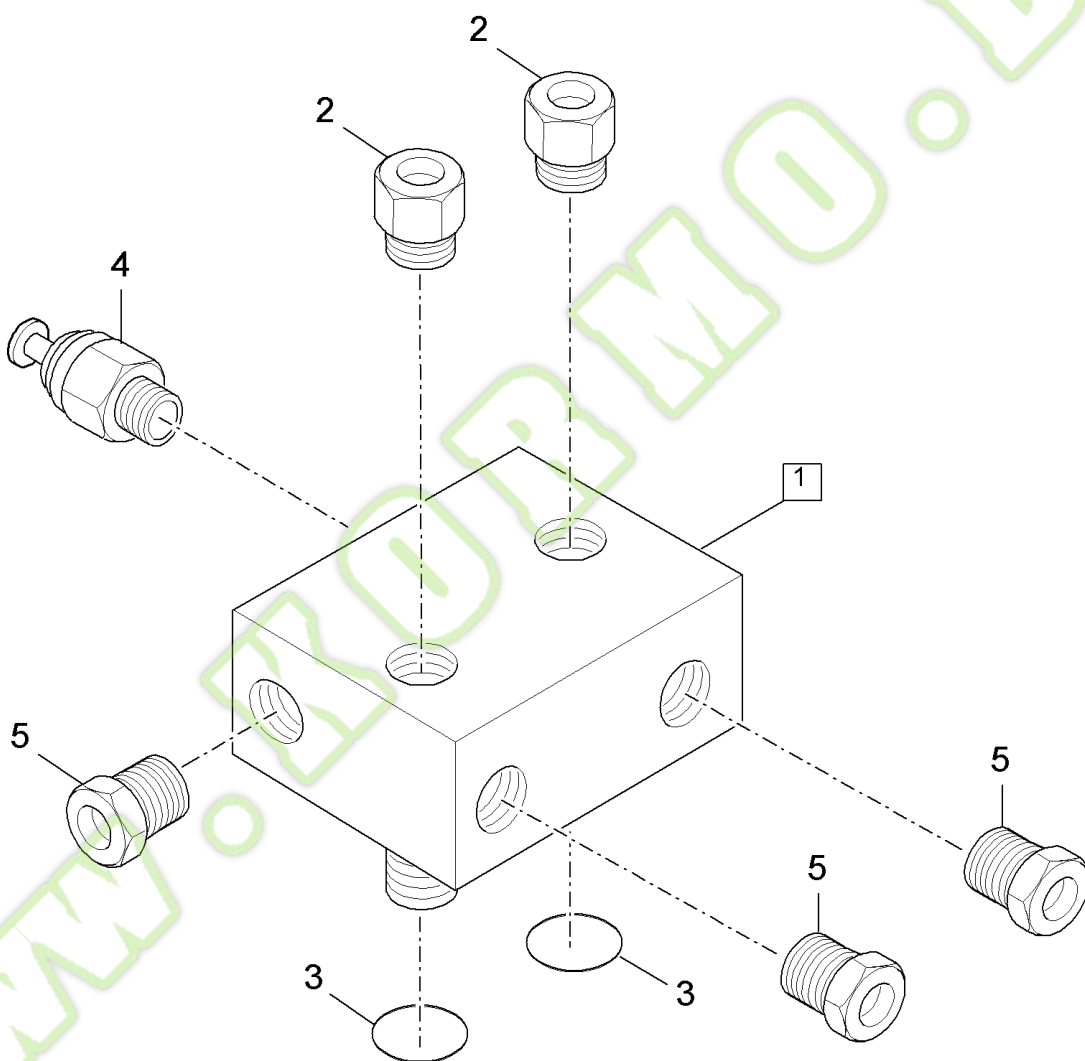
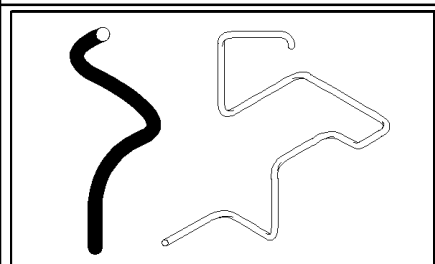
CROP PRO PLUS  
8.40



Ref	Part Number	Qty	Description
1	266220	2	DUST CAP, {PP:80266220}
2	370006	4	CIRCLIP, {PP:80370006}
3	84019138	2	COUPLING, QUICK, MALE,
4	84021013	2	CONNECTOR, HYD.,
5	84022011	1	BRACKET,
6	9508529	2	ELBOW, {PP:89508529}
7	160164	2	HOSE, {PP:80160164}
8	150015	12	FERRULE, {PP:80150015}
9	100043	12	NUT, {PP:80100043} M12
10	9513719	AR	TUBE, RIGID, {PP:89513719} D=12
11	434097	2	BRACKET, {PP:80434097}
12	80360872	2	CONNECTOR, HYD.,
13	150018	2	CONNECTOR, HYD., {PP:80150018}
14	395782	4	CONNECTOR, HYD., {PP:80395782}

WWW.KORMO.BY

08.13(01) OVERPRESSURE VALVE

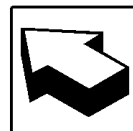
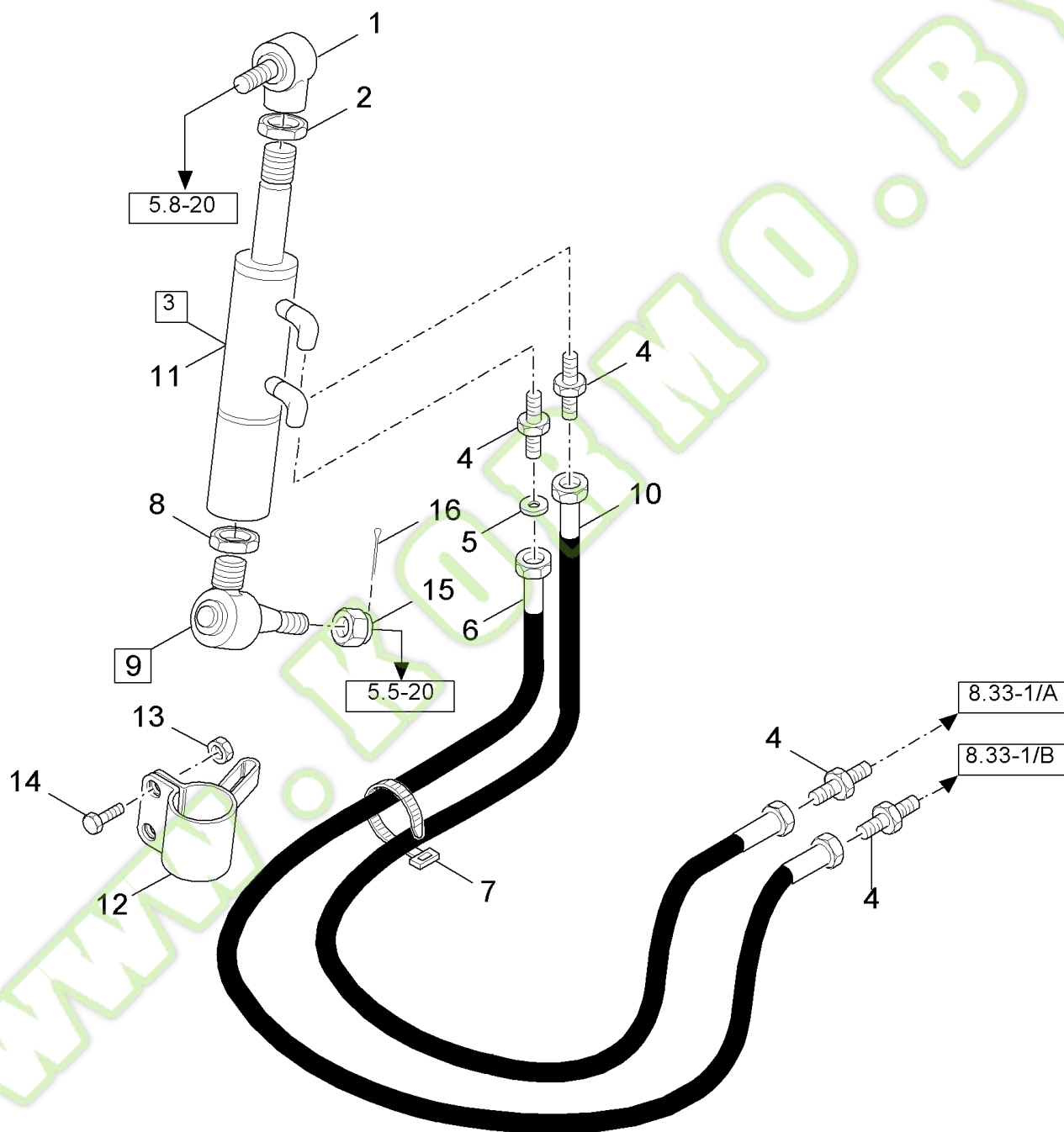
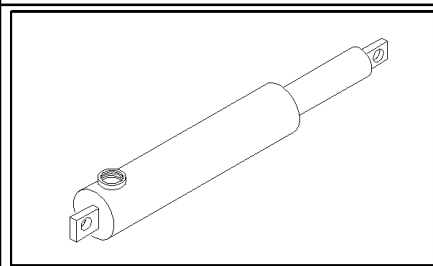


## 08.13(01) OVERPRESSURE VALVE

Ref	Part Number	Qty	Description
1	84053186	1	VALVE, HYDRAULIC, (2 to 5)
2	84068093	2	SCREW, HOLLOW,
3	84022706	2	O-RING,
4	84068091	1	VALVE, HYDRAULIC,
5	84068092	4	VALVE, HYDRAULIC,

WWW.KORMO.BY

08.14(01) CYLINDER FOR SPOUT

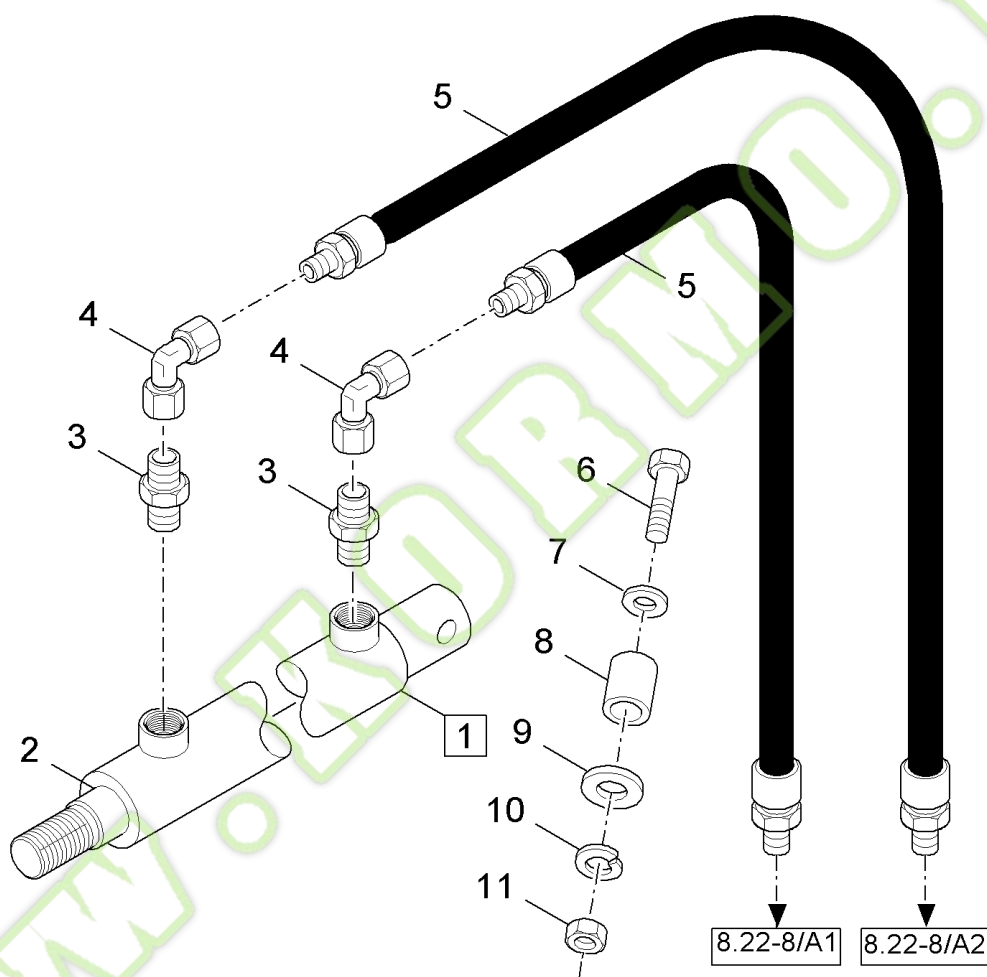
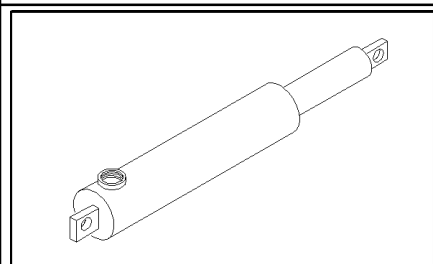


## FX48 SELF-PROPELLED FORAGE HARVESTER (9/98- )

## 08.14(01) CYLINDER FOR SPOUT

Ref	Part Number	Qty	Description
1	84039559	1	BALL JOINT,
2	100085	1	NUT, {PP:80100085} M20 x 1.5, CI 8, M20x1.5
3	84031243	1	HYDRAULIC CYLINDER, (11)
3	84039181	1	HYDRAULIC CYLINDER, (11), FOR NA ONLY
4	386215	4	CONNECTOR, HYD., {PP:80386215}
5	365947	1	ORIFICE, {PP:80365947}
6	84031279	1	HOSE, FLEXIBLE,
7	323597	AR	STRAP, {PP:80323597}
8	100034	1	NUT, {PP:80100034} M30 x 1.5, CI 8, M30x1.5, BSN C094
8	300852	1	NUT, {PP:80300852} M30 x 1.5, CI 8, M30x1.5, ASN D095
9	84053458	1	BALL JOINT, (15,16)
10	84031280	1	HOSE, FLEXIBLE,
11	84021371	1	KIT, REPAIR,
11	84042304	1	KIT, REPAIR, , FOR NA ONLY
12	84031311	1	CLAMP,
12	84053048	1	CLAMP, , FOR NA ONLY
13	100067	1	NUT, {PP:80100067} M8 x 1.25", CI 8, M8
14	412479	1	SCREW, {PP:80412479} Hex, M8 x 35, 8.8, M8x35
15	412144	1	SLOTTED NUT, {PP:80412144} M20 x 1.5, CI 8, M20x1.5
16	300595	1	PIN, SPLIT (COTTER), {PP:80300595} M4 x 40,

08.15(01) CYLINDER FOR SPOUT DEFLECTORS



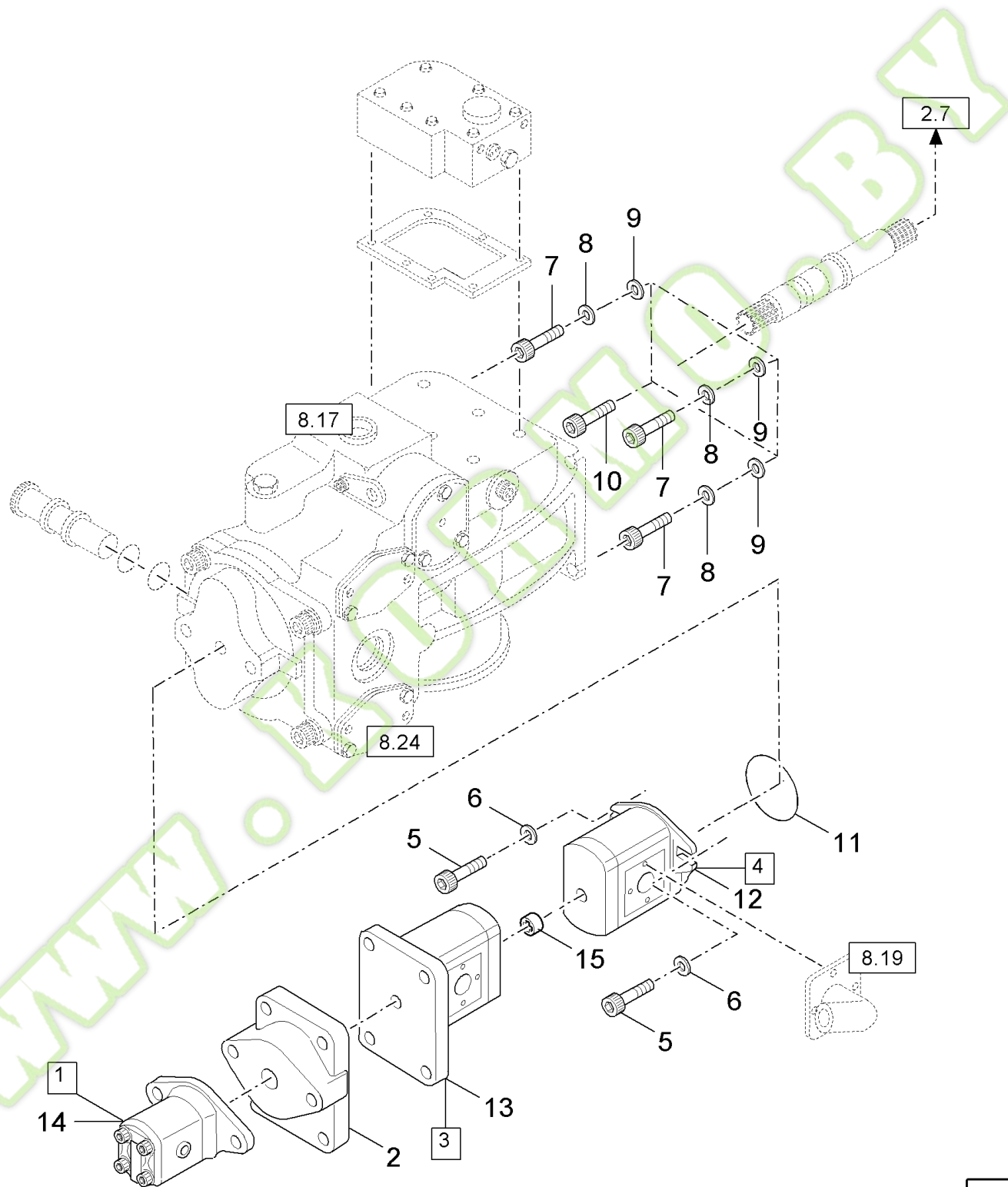
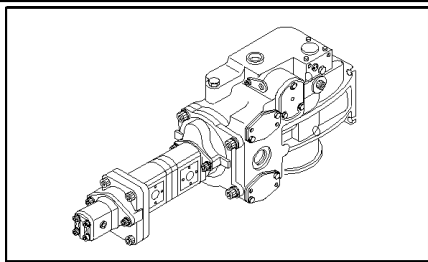
## 08.15(01) CYLINDER FOR SPOUT DEFLECTORS

Ref	Part Number	Qty	Description
1	84017438	1	HYDRAULIC CYLINDER, (2)
2	84023899	1	KIT, SEALS,
3	386215	2	CONNECTOR, HYD., {PP:80386215}
4	418283	2	ELBOW, {PP:80418283}
5	84038148	2	HOSE, FLEXIBLE,
6	412183	8	BOLT, {PP:80412183} Short NK, M10 x 35, CI8.8, Full Thd,
7	140018	8	WASHER, {PP:80140018} M12 x 24 x 2.5,
8	9514390	8	RING, {PP:89514390}
9	140042	8	WASHER, LOCK, {PP:80140042} M10 x 34 x 3, 10MM
10	140045	8	WASHER, LOCK, {PP:80140045} Belleville, M10, 10MM
11	100016	8	NUT, {PP:80100016} M10, CI 8, M10

WWW.KORMO.BY



08.16(01) HYDROSTATIC PUMP

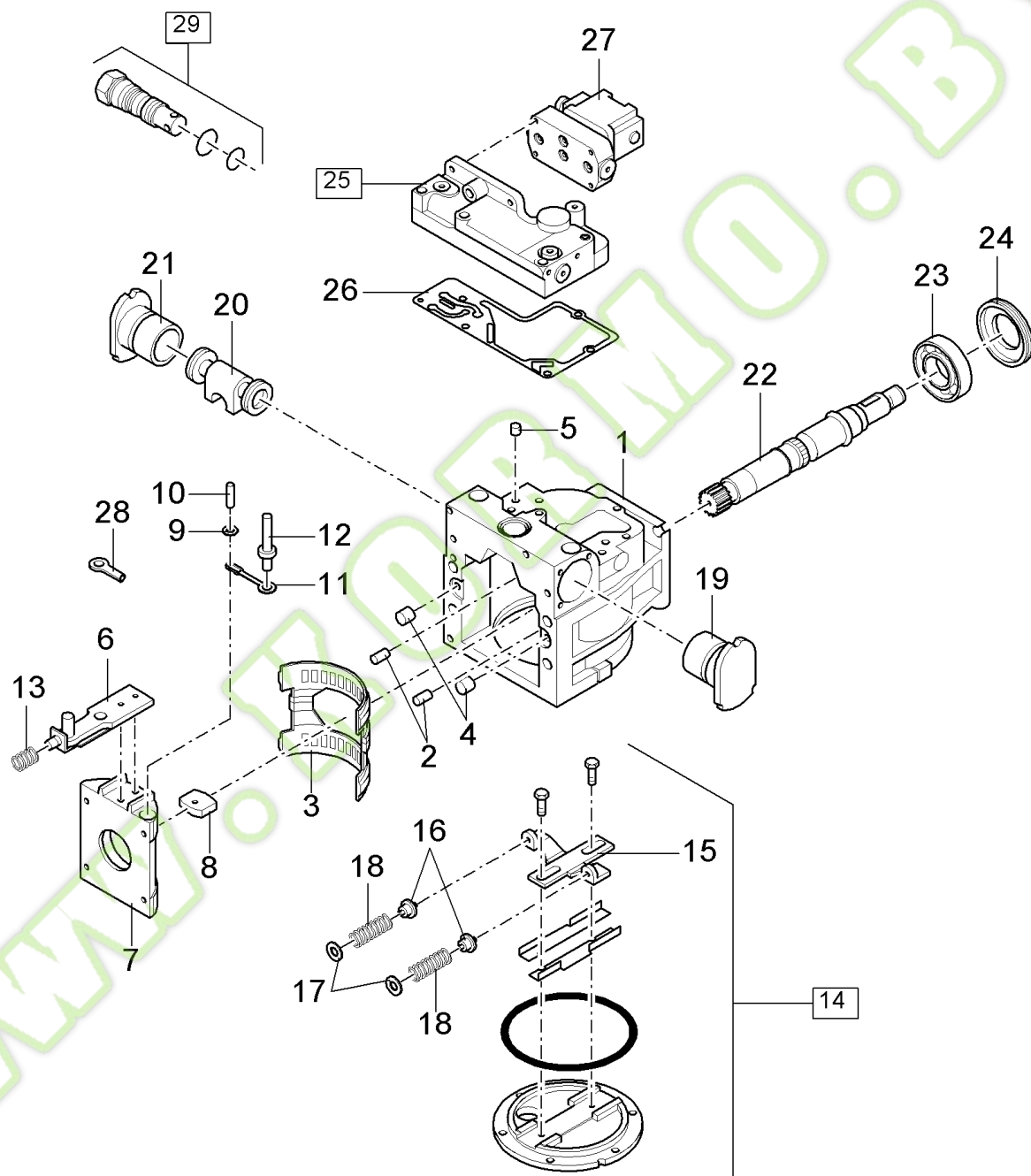
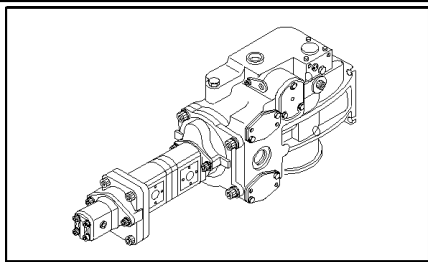


## FX48 SELF-PROPELLED FORAGE HARVESTER (9/98- )

## 08.16(01) HYDROSTATIC PUMP

Ref	Part Number	Qty	Description
	89850501	1	PUMP, HYDRAULIC, (1 to 4)
1	89811116	1	PUMP, SMALL, 1.7CC (14)
2	84021308	1	BLOCK, COUPLING,
3	89833309	1	PUMP, SMALL, 6CC (13)
4	84021306	1	PUMP, SMALL, 19.2CC (12)
5	82039	2	SCREW, {PP:80082039} Hex Soc Hd, 3/8"-16 x 1 1/4",
6	140078	2	WASHER, {PP:80140078}
7	80300811	3	SCREW, M14x35
8	140047	3	WASHER, LOCK, {PP:80140047}
9	140086	3	WASHER, {PP:80140086}
10	89835745	1	SCREW,
11	84031760	1	O-RING,
12	84031761	2	KIT, SEALS,
13	84031762	1	KIT, SEALS,
14	84031763	1	KIT, SEALS,
15	84056576	1	SPIDER,

08.17(01) HYDROSTATIC PUMP

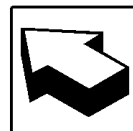
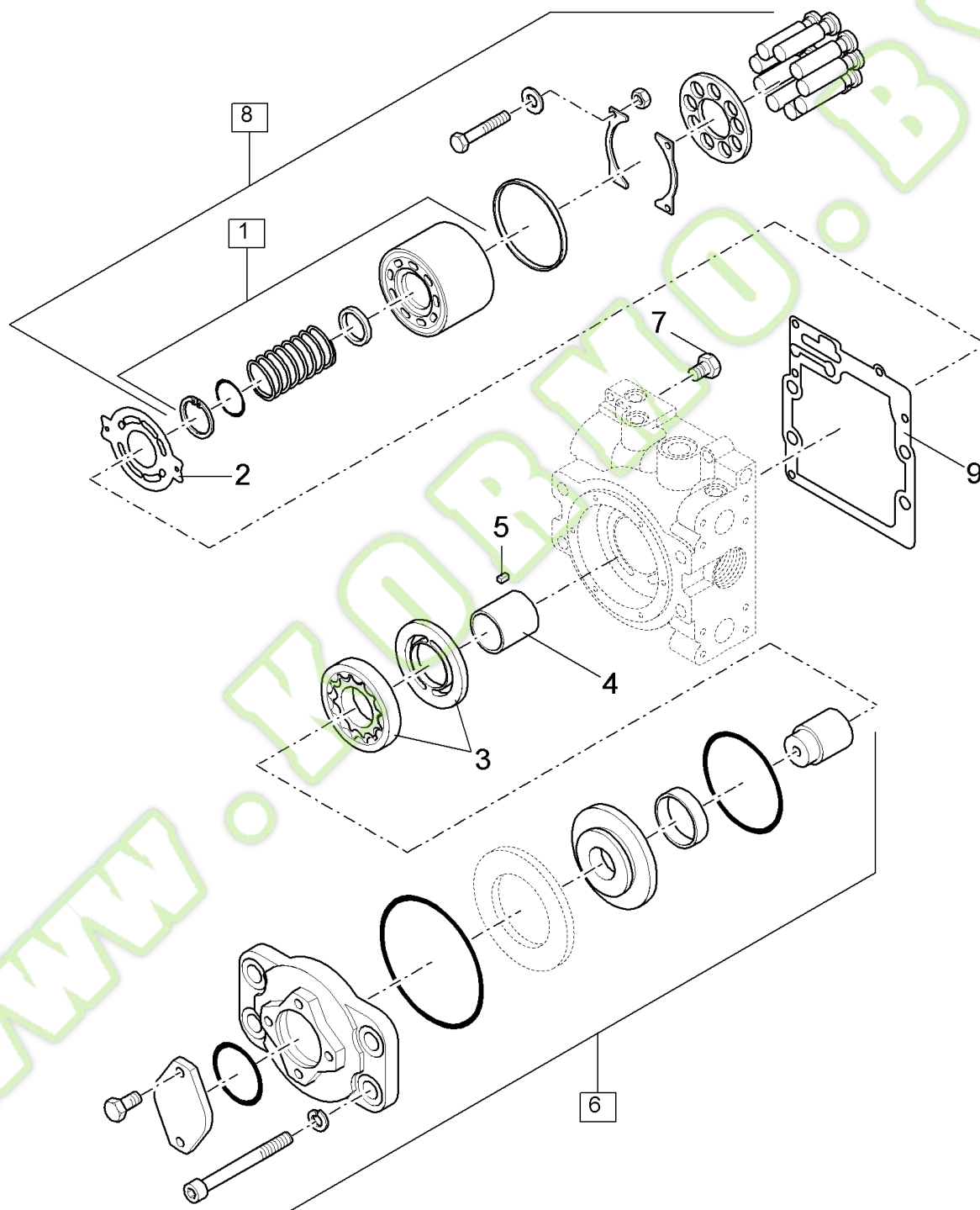
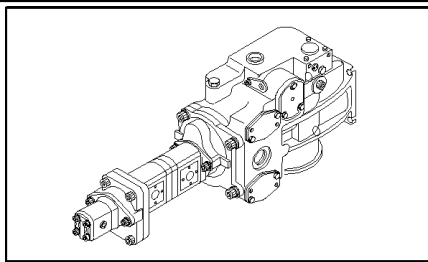


## FX48 SELF-PROPELLED FORAGE HARVESTER (9/98- )

## 08.17(01) HYDROSTATIC PUMP

Ref	Part Number	Qty	Description
	84814889	1	PUMP, HYDROSTATIC, 100CC, Incl. figs. 8.17 and 8.18
1	9813070	1	KIT, SEALS, {PP:89813070}
2	9813096	2	PIN, {PP:89813096}
3	9813036	1	BEARING ASSY, {PP:89813036}
4	165179	2	PIN, {PP:80165179}
5	9813069	3	FILTER, {PP:89813069}
6	84042129	1	LEVER,
7	84042130	1	SUPPORT,
8	84042131	1	GUIDE,
9	9813094	1	RING, {PP:89813094}
10	9813095	1	PIN, {PP:89813095}
11	9813092	1	CLIP, {PP:89813092}
12	9813093	1	PIN, {PP:89813093}
13	9813048	1	SPRING, {PP:89813048}
14	84043592	1	COVER, (15 to 18)
15	84043593	1	LEVER,
16	9813034	2	RETAINER, {PP:89813034}
17	9813038	2	WASHER, {PP:89813038}
18	9813039	2	SPRING, {PP:89813039}
19	84042134	2	SHAFT,
20	84043594	1	SHAFT,
21	9813044	1	GUIDE, {PP:89813044}
22	84031759	1	SHAFT, 23T
23	9813010	1	BEARING ASSY, {PP:89813010}
24	9811985	1	RING, {PP:89811985}
25	84041319	1	VALVE, HYDRAULIC, (26,27)
26	84041983	1	GASKET,
27	84041360	1	ELECTROMAGNET,
28	9813045	1	LEVER, {PP:89813045}
29	9832440	2	VALVE, HYDRAULIC, {PP:89832440}

08.18(01) HYDROSTATIC PUMP

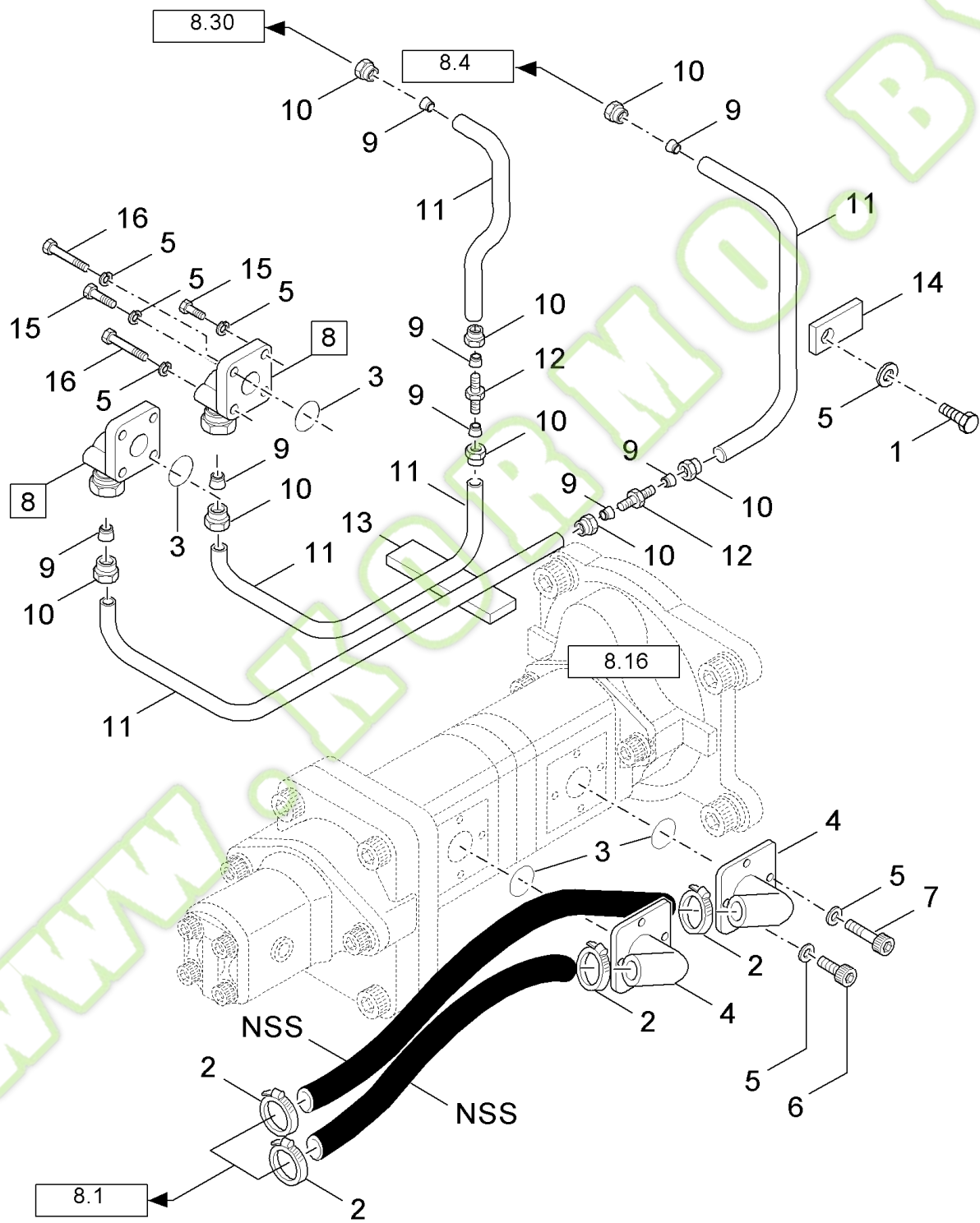
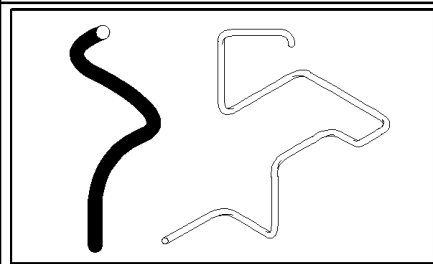


## 08.18(01) HYDROSTATIC PUMP

Ref	Part Number	Qty	Description
1	9813017	1	KIT, {PP:89813017}
2	84042128	1	DISC,
3	84042135	1	KIT,
4	84042136	1	SHAFT,
5	913545	1	KEY, {PP:80913545}
6	84042133	1	KIT,
7	9813059	2	VALVE, HYDRAULIC, {PP:89813059}
8	84042137	1	KIT, (1,2)
9	84074375	1	GASKET,

WWW.KORMO.BY

08.19(01) HYDRAULIC PIPES



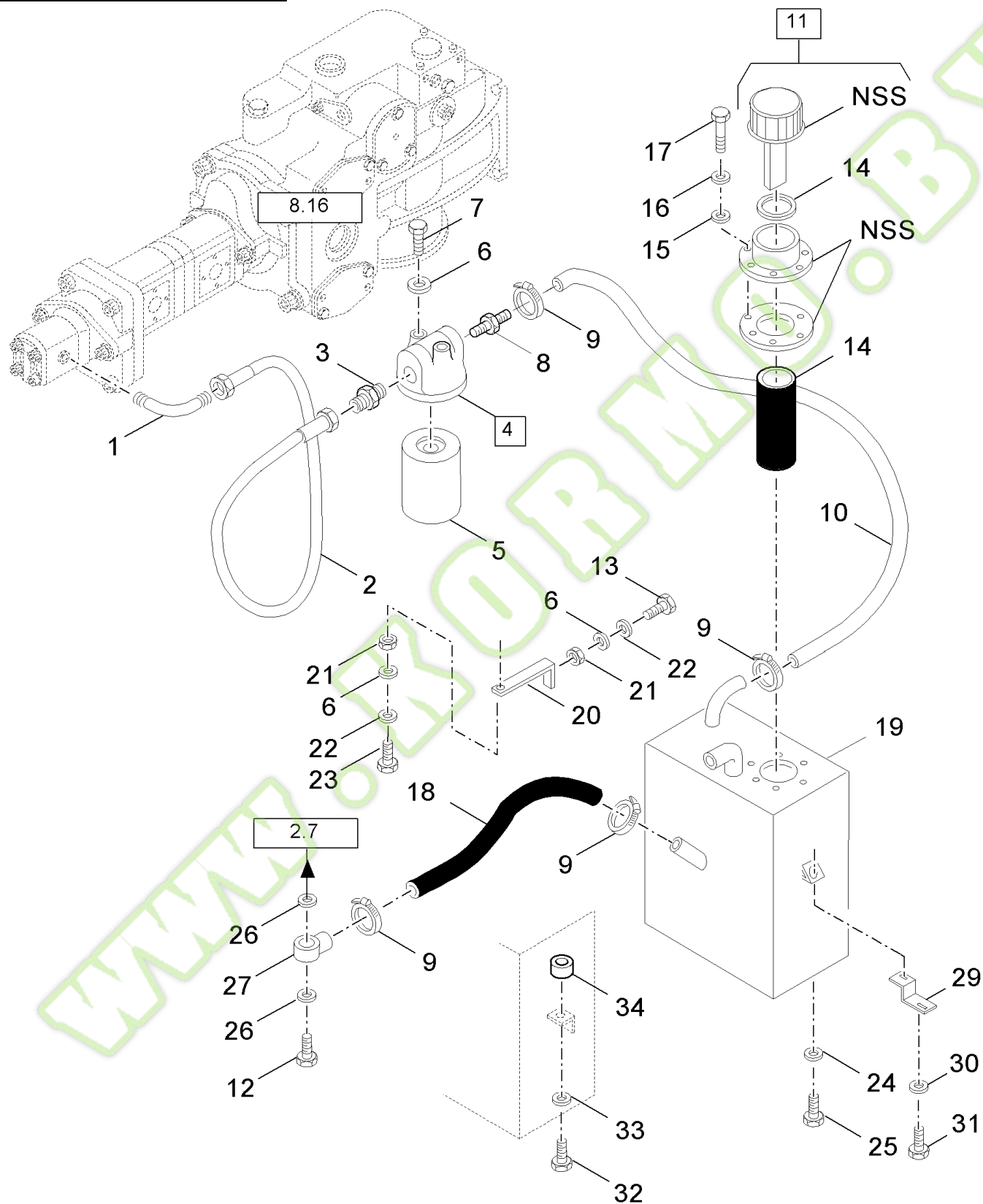
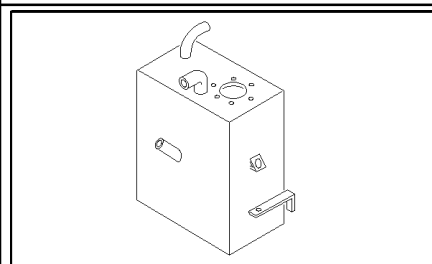
## FX48 SELF-PROPELLED FORAGE HARVESTER (9/98- )

## 08.19(01) HYDRAULIC PIPES

Ref	Part Number	Qty	Description
1	300508	1	SCREW, {PP:80300508} Hex, M6 x 45, 8.8, M16x45
2	382527	4	CLAMP, {PP:80382527}
3	167266	2	O-RING, {PP:80167266} 12-1, 90 Duro, .924 ID x .116" Thk, 90 Duro, .924" ID x .116" Thk
4	753432	2	FILTER, {PP:80753432}
5	322357	AR	WASHER, LOCK, {PP:80322357} Belleville, M6, Belleville, M6
6	356464	4	SCREW, {PP:80356464} M6x50
7	84089718	4	SCREW, M6x20
8	337208	2	ELBOW, {PP:80337208} (3,5,15,16)
9	335169	8	FERRULE, {PP:80335169}
10	335171	8	NUT, {PP:80335171}
11	371536	AR	TUBE, RIGID, {PP:80371536} D=16
12	335174	AR	CONNECTOR, HYD., {PP:80335174}
13	84000903	1	BRACKET,
14	84031410	1	PLATE, COVER,
15	84089718	4	SCREW, M6x20
16	356464	4	SCREW, {PP:80356464} M6x50



08.20(01) HYDRAULIC FOR PUMP

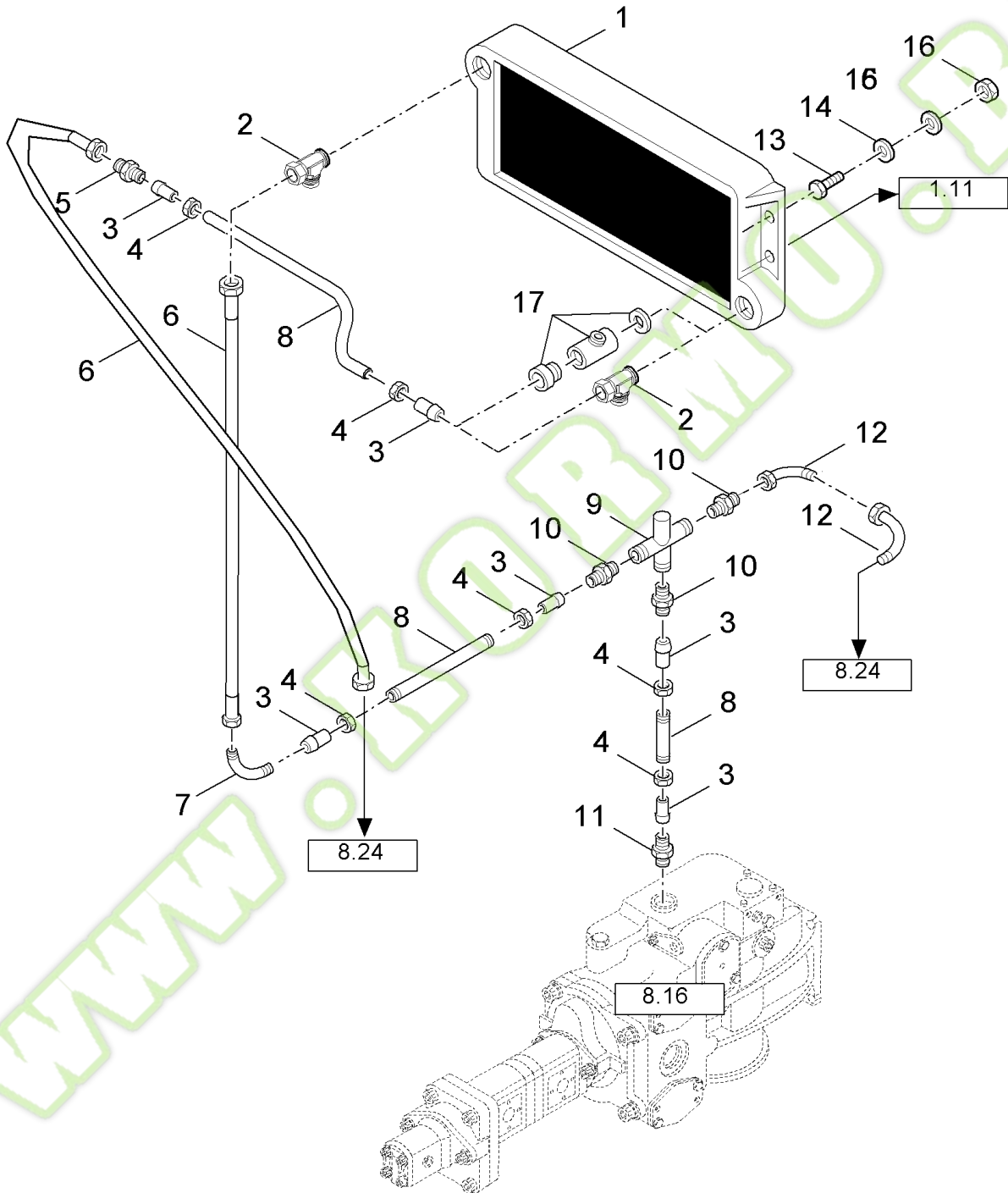
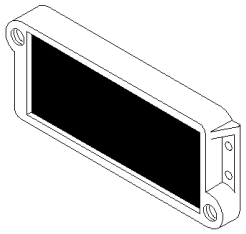


## FX48 SELF-PROPELLED FORAGE HARVESTER (9/98- )

## 08.20(01) HYDRAULIC FOR PUMP

Ref	Part Number	Qty	Description
1	128818	1	CONNECTOR, HYD., {PP:80128818} 3/4"-16, 37e x 3/4"-16, O-Ring,
2	84032571	1	HOSE, FLEXIBLE,
3	89838173	1	CONNECTOR, HYD.,
4	89833456	1	FILTER, HYDRAULIC OIL, (5)
5	89811117	1	FILTER, ELEMENT,
6	322358	5	WASHER, LOCK, {PP:80322358} Belleville, M8,
7	80120104	2	SCREW, M8x20
8	89835291	1	CONNECTOR, HYD.,
9	382528	4	CLAMP, {PP:80382528}
10	84036847	1	HOSE,
11	84004871	1	COVER, CAP, (14), BSN C217
11	84807524	1	COVER, CAP, (14), ASN D218
12	89818709	1	SCREW, HOLLOW,
13	43128	1	SCREW, {PP:80043128} Hex, M8 x 30, 8.8, Cap, HH, CL 8.8, M8 x 1.25 x 30
14	84037210	1	KIT, SEALS, , BSN C217
14	456473	1	FILTER, ENGINE OIL, {PP:80456473} (WHITE SEAL RING), ASN D218
15	373817	6	ELEMENT, SEALING, {PP:80373817}
16	140014	6	WASHER, {PP:80140014} M5,
17	120098	6	SCREW, {PP:80120098} Hex, M5 x 20, 8.8, Full Thd, M5x20
18	84036848	1	HOSE,
19	89833168	1	TANK, LOW PRESSURE, FOR FX28-38-48 ONLY, BSN C217
19	84057373	1	TANK, , ASN D218
19	84057373	1	TANK, LOW PRESSURE, FOR FX58 ONLY
20	84001044	1	PLATE, COVER, , FOR FX28-38-48 ONLY, BSN C217
21	100015	3	NUT, {PP:80100015} M8, CI 8, M8
22	140016	3	WASHER, {PP:80140016} M8 x 16 x 1.6,
23	43127	2	BOLT, {PP:80043127} Hex, M8 x 25, 8.8, M8x25
24	722441	1	GASKET, , FOR FX58 ONLY
24	140045	1	WASHER, LOCK, {PP:80140045} Belleville, M10, 10MM, FOR FX28-38-48 ONLY, ASN D218
25	150060	1	PLUG, {PP:80150060}
26	84026508	2	RING,
27	89818710	1	CONNECTOR, HYD.,
28	382527	2	CLAMP, {PP:80382527}
29	84057941	1	BRACKET, , FOR FX28-38-48 ONLY, BSN C217
30	140045	1	WASHER, LOCK, {PP:80140045} Belleville, M10,
31	43140	1	BOLT, {PP:80043140} Hex, M10 x 30, 8.8, M10x30
32	9706687	1	SCREW, {PP:89706687} Hex, M12 x 30, 8.8, M12x30, FOR FX58 ONLY
32	325829	1	SCREW, {PP:80325829} Hex, M10 x 45, 8.8, M10x45, FOR FX28-38-48 ONLY, ASN D218
33	140046	1	WASHER, LOCK, {PP:80140046} Belleville, M12, 12MM, FOR FX58 ONLY
34	9513106	3	RING, {PP:89513106} , FOR FX28-38-48 ONLY

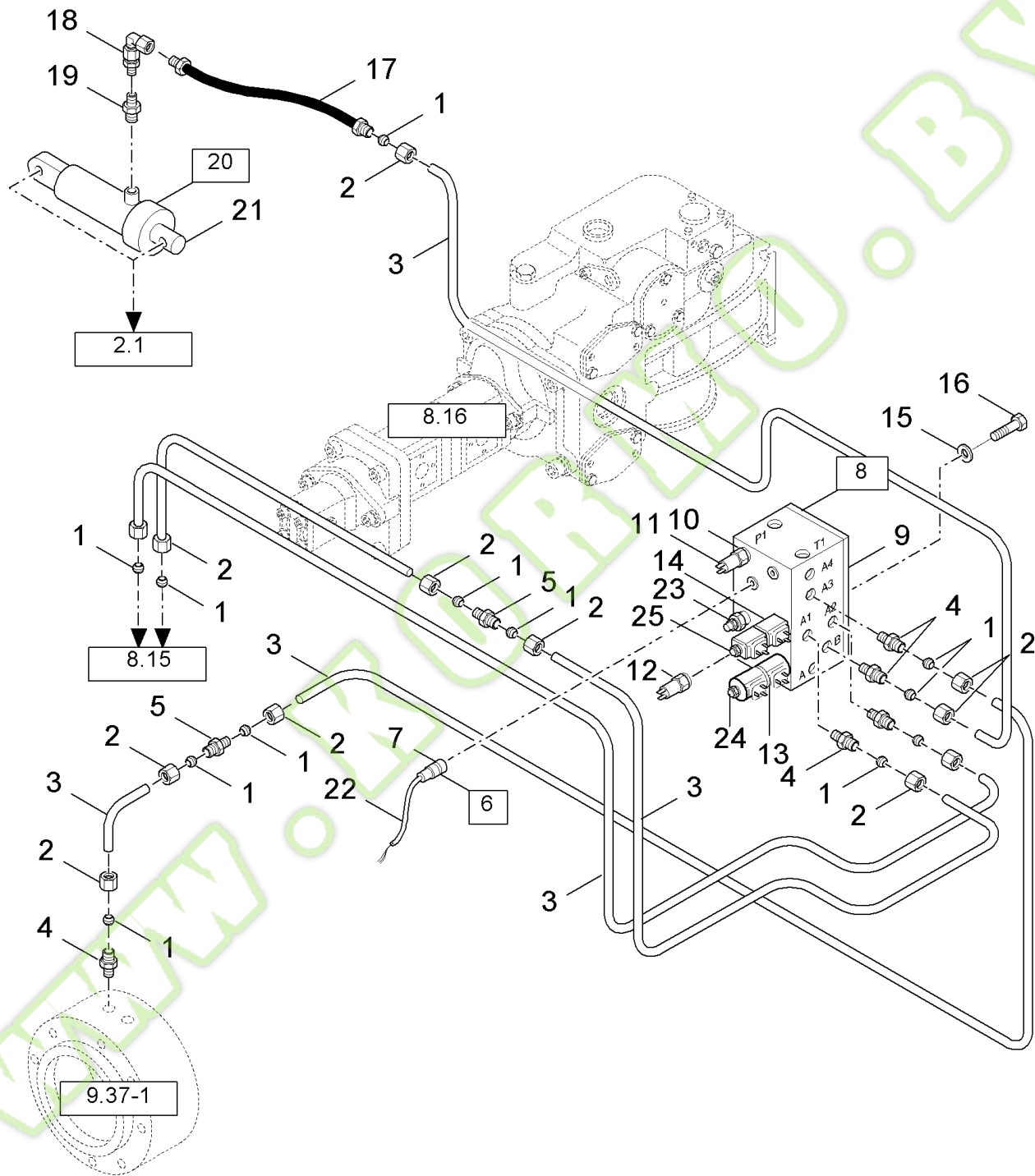
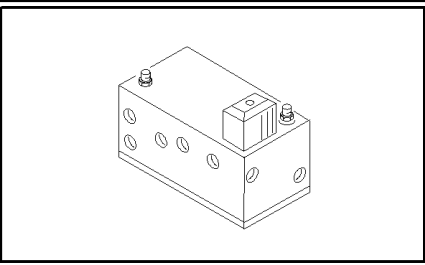
08.21(01) HYDRAULIC FOR COOLER



## FX48 SELF-PROPELLED FORAGE HARVESTER (9/98- )

## 08.21(01) HYDRAULIC FOR COOLER

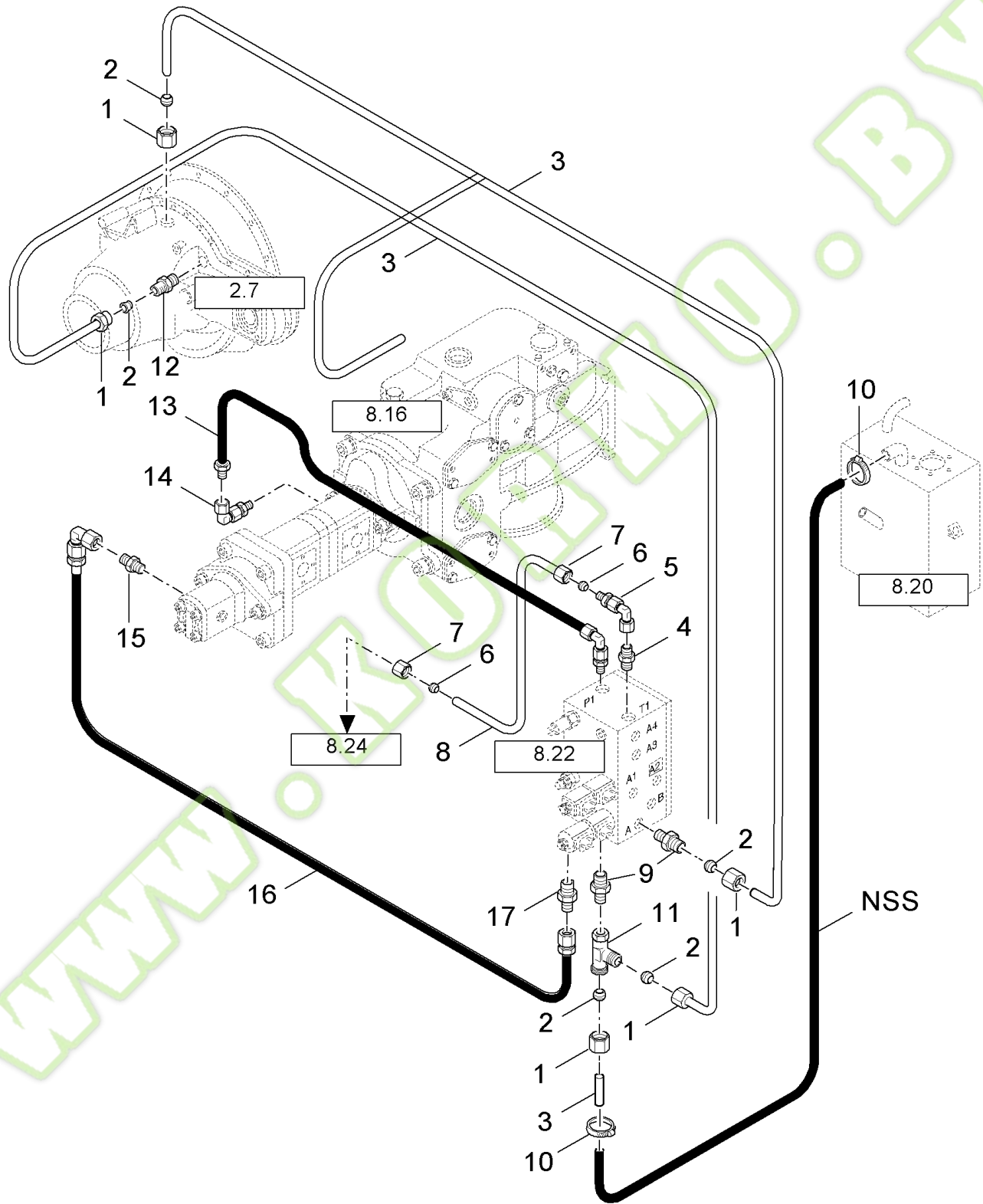
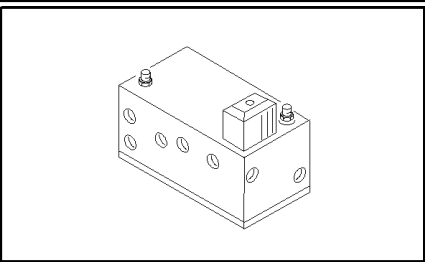
Ref	Part Number	Qty	Description
1	9838603	1	RADIATOR, {PP:89838603}
2	84058417	2	CONNECTOR, HYD.,
3	412528	6	FERRULE, {PP:80412528}
4	412527	6	NUT, {PP:80412527}
5	457545	1	CONNECTOR, HYD., {PP:80457545}
6	89813523	2	HOSE, FLEXIBLE,
7	84004868	1	CONNECTOR, HYD.,
8	9811333	AR	TUBE, RIGID, {PP:89811333} D=28,L=2M
9	918289	1	THERMOSTAT, {PP:80918289}
10	918797	3	CONNECTOR, HYD., {PP:80918797}
11	9511910	1	CONNECTOR, HYD., {PP:89511910}
12	457573	4	ELBOW, {PP:80457573}
13	80120104	4	SCREW, M8x20
14	322358	4	WASHER, LOCK, {PP:80322358} Belleville, M8, 8MM
15	140016	4	WASHER, {PP:80140016} M8 x 16 x 1.6, 8MM
16	100015	4	NUT, {PP:80100015} M8, CI 8, M8
17	89514462	1	CONNECTOR, HYD.,



## FX48 SELF-PROPELLED FORAGE HARVESTER (9/98- )

## 08.22(01) HYDRAULIC LINES TO LOW PRESSURE VALVE

Ref	Part Number	Qty	Description
1	335136	12	FERRULE, {PP:80335136}
2	335135	12	NUT, {PP:80335135}
3	371540	AR	TUBE, RIGID, {PP:80371540} D=8
4	89513082	5	CONNECTOR, HYD.,
5	335172	2	CONNECTOR, HYD., {PP:80335172}
6	84038141	1	VALVE, HYDRAULIC, (7,14), 4 WHEEL DRIVE
7	84038162	1	KIT, SEALS, , 4 WHEEL DRIVE
8	84037241	1	VALVE, HYDRAULIC, (9 to 14,24,25)
9	84053805	1	KIT, SEALS,
10	84011379	2	RING,
11	84021144	1	SWITCH, ASSY, 5 BAR
12	84004884	1	SWITCH, 24 BAR
13	84053806	2	ELECTROMAGNET, 12V DC
14	84015319	2	ELECTROMAGNET, 12V DC
15	322358	4	WASHER, LOCK, {PP:80322358} Belleville, M8, 8MM
17	424524	1	HOSE, {PP:80424524}
18	418283	1	ELBOW, {PP:80418283}
19	386215	1	CONNECTOR, HYD., {PP:80386215}
20	84007352	1	CYLINDER, (21)
21	84026516	1	KIT, SEALS,
22	84052207	1	HARNESS, WIRE,
23	84062508	1	VALVE, HYDRAULIC,
24	84062745	1	VALVE, HYDRAULIC,
25	84062744	1	VALVE, HYDRAULIC,
16	16043224	4	SCREW, Hex, M8 x 16, 8.8, Full Thd, M8x12



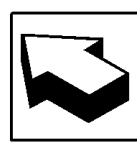
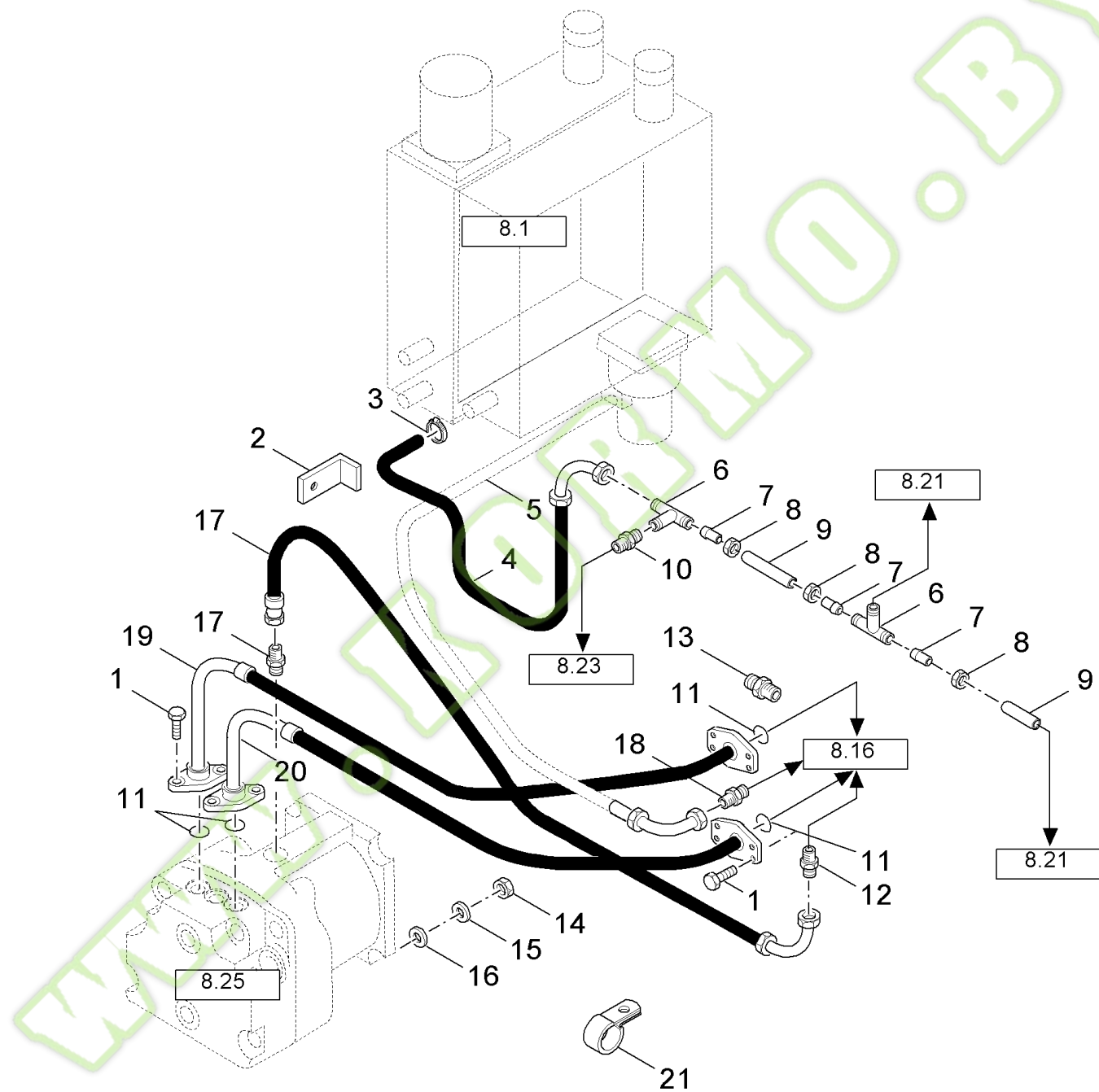
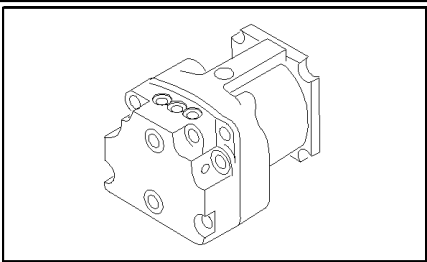
## FX48 SELF-PROPELLED FORAGE HARVESTER (9/98- )

## 08.23(01) HYDRAULIC LINES TO LOW PRESSURE VALVE

Ref	Part Number	Qty	Description
1	100042	5	NUT, {PP:80100042}
2	150014	5	FERRULE, {PP:80150014}
3	371539	AR	TUBE, RIGID, {PP:80371539} D=10
4	89513082	2	CONNECTOR, HYD.,
5	418283	1	ELBOW, {PP:80418283}
6	335136	2	FERRULE, {PP:80335136}
7	335135	2	NUT, {PP:80335135}
8	371540	AR	TUBE, RIGID, {PP:80371540} D=8
9	420522	2	CONNECTOR, HYD., {PP:80420522}
10	574518	2	CLAMP, {PP:80574518}
11	734031	1	CONNECTOR, HYD., {PP:80734031}
12	395019	1	CONNECTOR, HYD., {PP:80395019}
13	84052145	1	HOSE, FLEXIBLE,
14	84018535	1	ELBOW,
15	76350	1	CONNECTOR, HYD., {PP:80076350} 9/16"-18, 37e x 9/16"-18, O-Ring,
16	84045344	1	HOSE, FLEXIBLE,
17	84045343	1	CONNECTOR, HYD.,



08.24(01) HYDRAULIC LINES TO HYDROSTATIC MOTOR

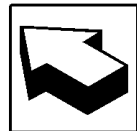
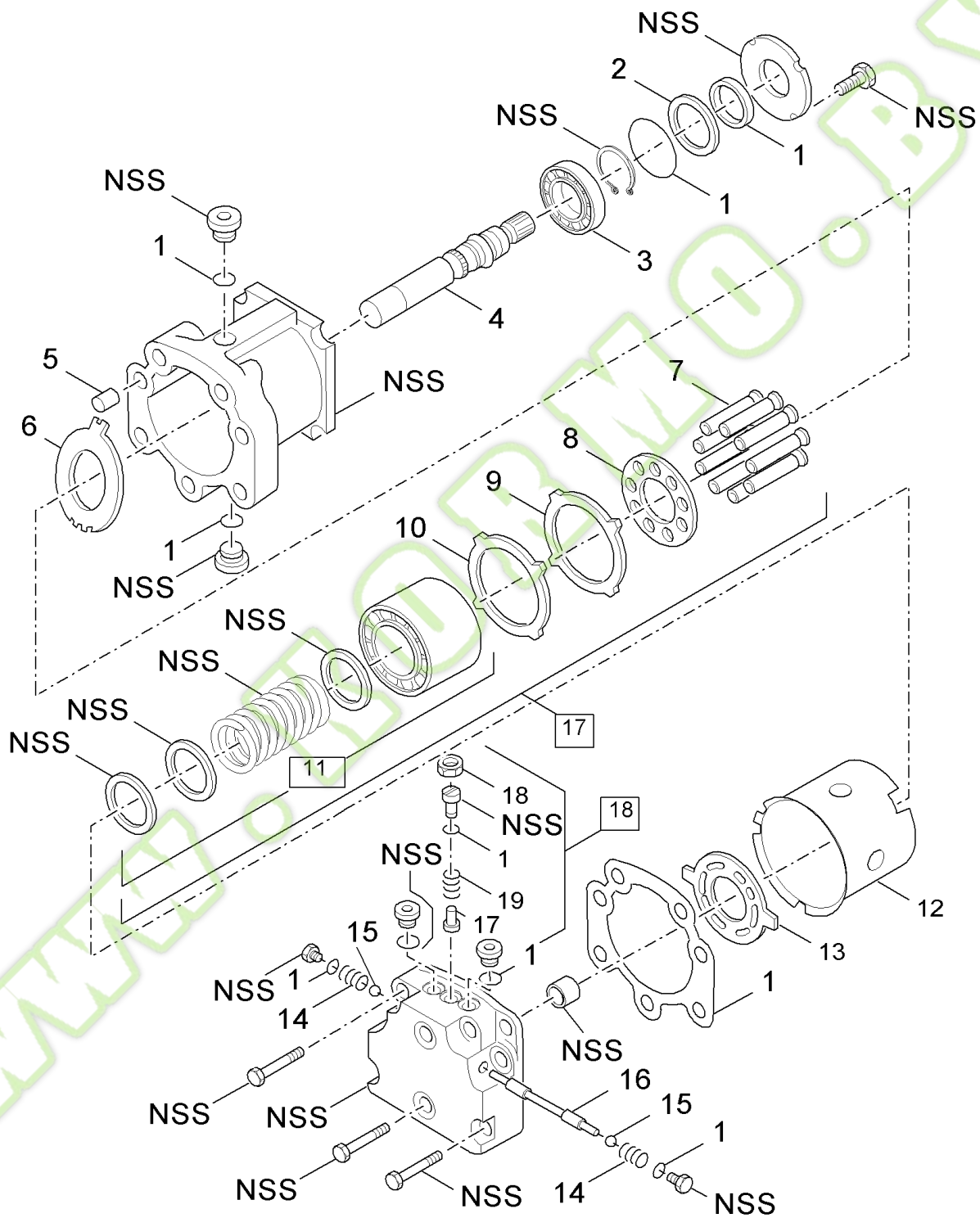
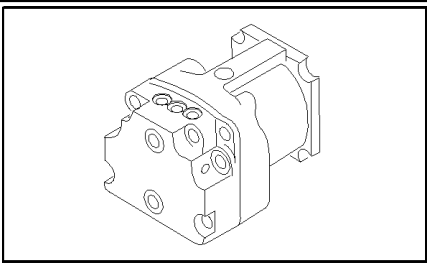


## FX48 SELF-PROPELLED FORAGE HARVESTER (9/98- )

## 08.24(01) HYDRAULIC LINES TO HYDROSTATIC MOTOR

Ref	Part Number	Qty	Description
1	84015552	16	SCREW, Hex, 7/16"-14 x 1/2", 12.9,
2	743320	2	SUPPORT, {PP:80743320}
3	382528	1	CLAMP, {PP:80382528}
4	84023083	1	HOSE, FLEXIBLE,
5	84023081	1	HOSE,
6	919687	2	CONNECTION, 3 WAY, {PP:80919687}
7	412528	3	FERRULE, {PP:80412528}
8	412527	3	NUT, {PP:80412527}
9	9811333	AR	TUBE, RIGID, {PP:89811333} D=28,L=2M
10	84015503	1	CONNECTOR, HYD.,
11	353108	4	O-RING, {PP:80353108} -219, 70 Duro, 1.296" ID x .139" Thk,
12	322896	2	CONNECTOR, HYD., {PP:80322896} 1 1/16"-12, 37e x 1 1/16"-12, O-Ring,
13	84021707	1	CONNECTOR, HYD.,
14	337475	4	NUT, {PP:80337475} M12, CI 10, M12
15	140046	4	WASHER, LOCK, {PP:80140046} Belleville, M12, 12MM
16	140086	4	WASHER, {PP:80140086}
17	89811844	1	HOSE, FLEXIBLE,
18	89811842	1	CONNECTOR, HYD.,
19	89811687	1	HOSE, FLEXIBLE,
20	89811688	1	HOSE, FLEXIBLE,
21	701318	1	CLAMP, {PP:80701318} Hex Soc Hd, 5/16"-18 x 1 1/2",

08.25(01) HYDROSTATIC MOTOR

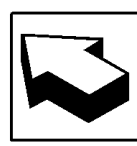
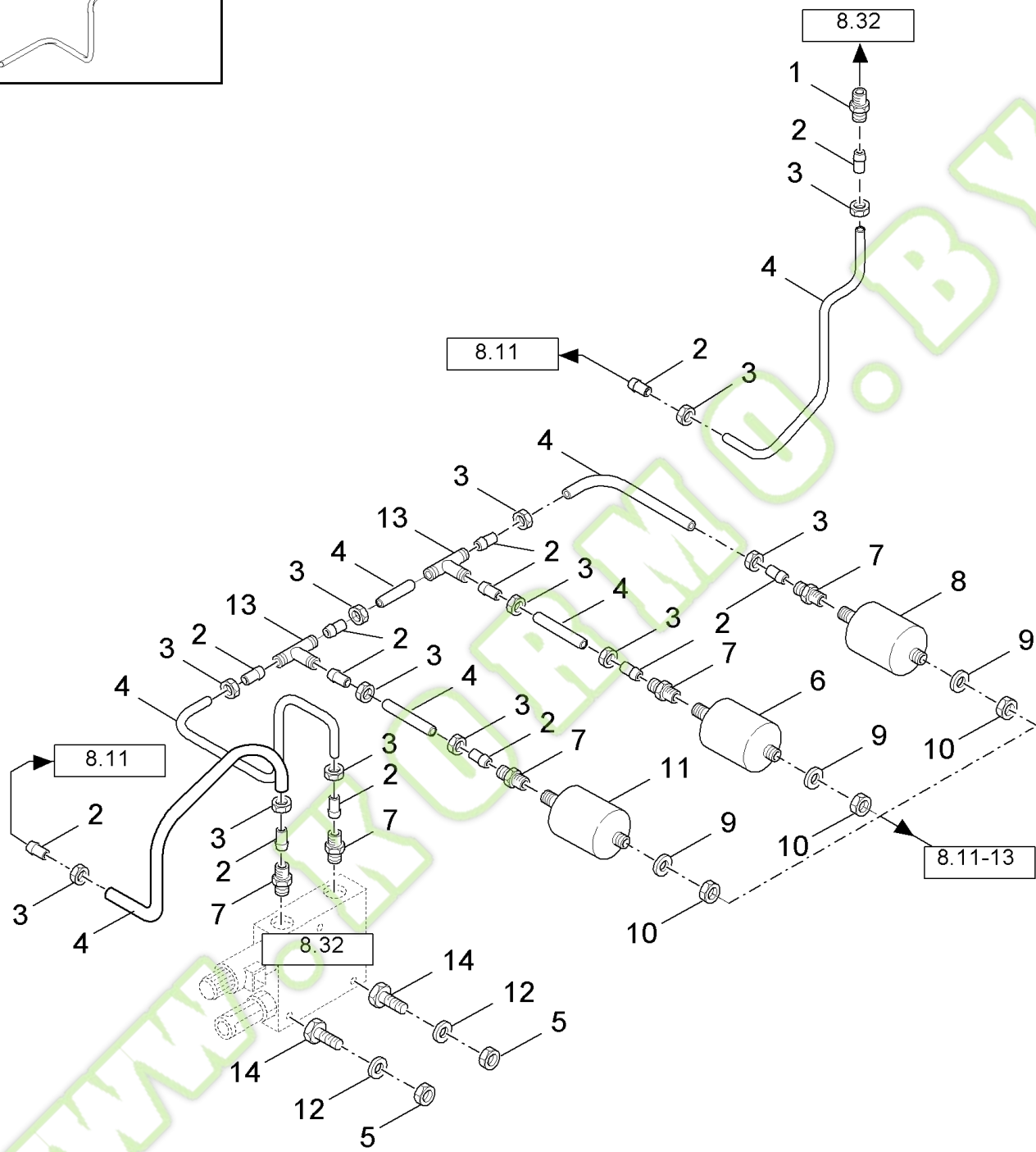
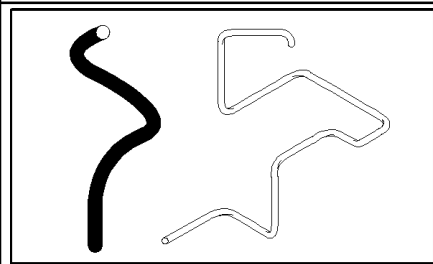


## FX48 SELF-PROPELLED FORAGE HARVESTER (9/98- )

## 08.25(01) HYDROSTATIC MOTOR

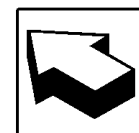
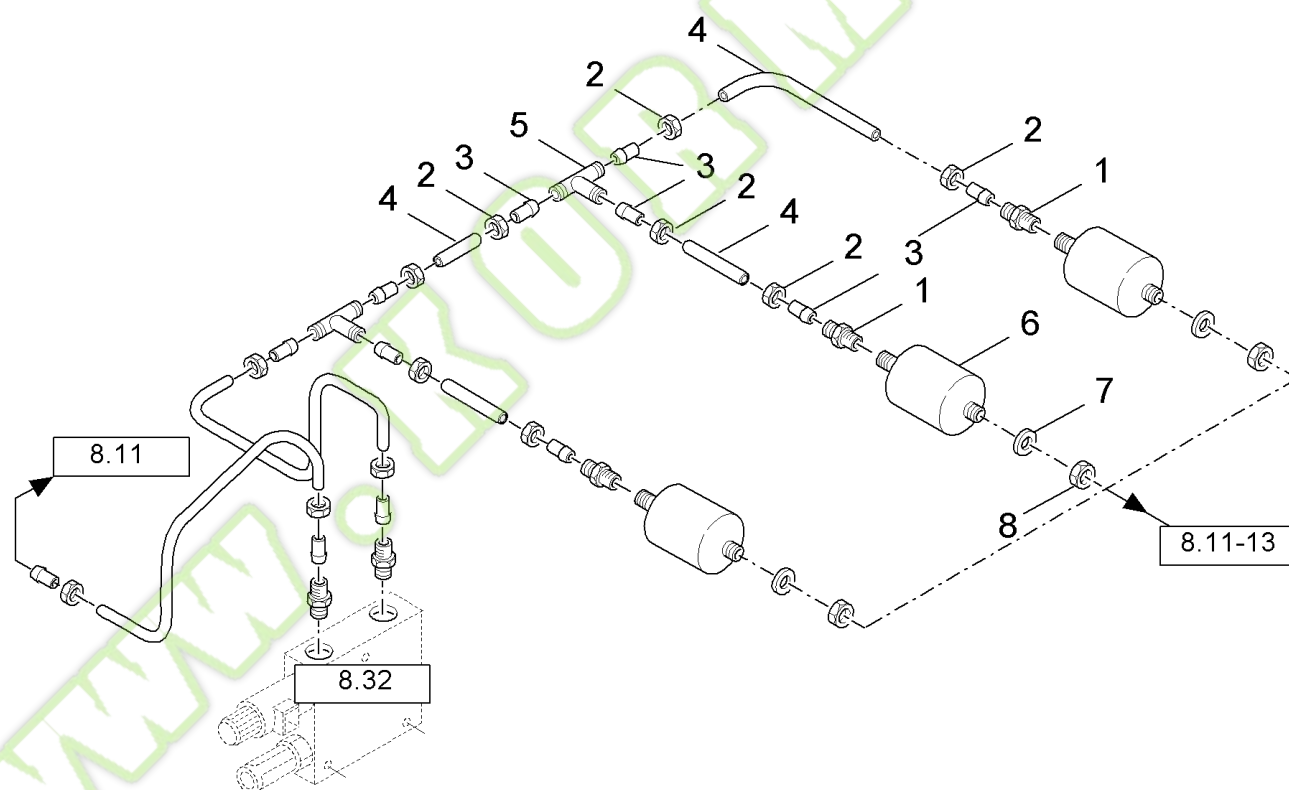
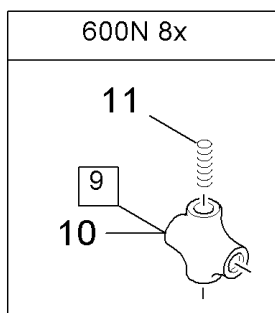
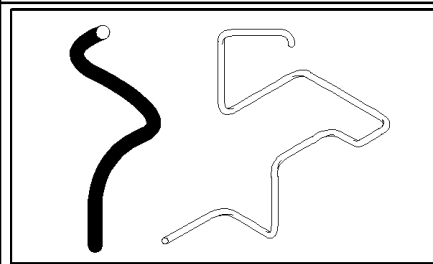
Ref	Part Number	Qty	Description
	89511750	1	MOTOR, HYDRAULIC, (1 to 18)
1	9813027	1	KIT, SEALS, {PP:89813027}
2	9811985	1	RING, {PP:89811985}
3	9813010	1	BEARING ASSY, {PP:89813010}
4	9813011	1	SHAFT, {PP:89813011}
5	165179	2	PIN, {PP:80165179}
6	84042002	1	PLATE, THRUST,
7	9832432	9	PISTON, {PP:89832432}
8	84032403	1	RETAINER,
9	9813015	1	RING, {PP:89813015}
10	84042001	1	RING,
11	9813017	1	KIT, {PP:89813017}
12	84032404	1	COVER,
13	9813019	1	PLATE, COVER, {PP:89813019}
14	9832434	2	SPRING, {PP:89832434}
15	9832435	2	RING, {PP:89832435}
16	9832436	1	VALVE, HYDRAULIC, {PP:89832436}
17	84041311	1	KIT, (7 to 11)
18	84042152	1	VALVE, HYDRAULIC,

08.27(01) ACCUMULATORS



## 08.27(01) ACCUMULATORS

Ref	Part Number	Qty	Description
1	9516261	1	CONNECTOR, HYD., {PP:89516261}
2	150015	12	FERRULE, {PP:80150015}
3	100043	12	NUT, {PP:80100043}
4	9513719	AR	TUBE, RIGID, {PP:89513719} D=12
5	9706755	2	NUT, {PP:89706755} M6, CI 8, M6
6	84018324	1	ACCUMULATOR, 55 Bar
7	395782	6	CONNECTOR, HYD., {PP:80395782}
8	84042444	1	ACCUMULATOR, 30 Bar
9	140110	2	WASHER, {PP:80140110}
10	308823	2	NUT, {PP:80308823} M28 x 1.5, CI 8, M28x1.5
11	84017606	1	ACCUMULATOR, 85 Bar
12	322357	2	WASHER, LOCK, {PP:80322357} Belleville, M6, Belleville, M6
13	150019	2	CONNECTION, 3 WAY, {PP:80150019}
14	397985	2	BOLT, {PP:80397985} Hex, M6 x 70, 8.8, Full Thd, M6x70



## FX48 SELF-PROPELLED FORAGE HARVESTER (9/98- )

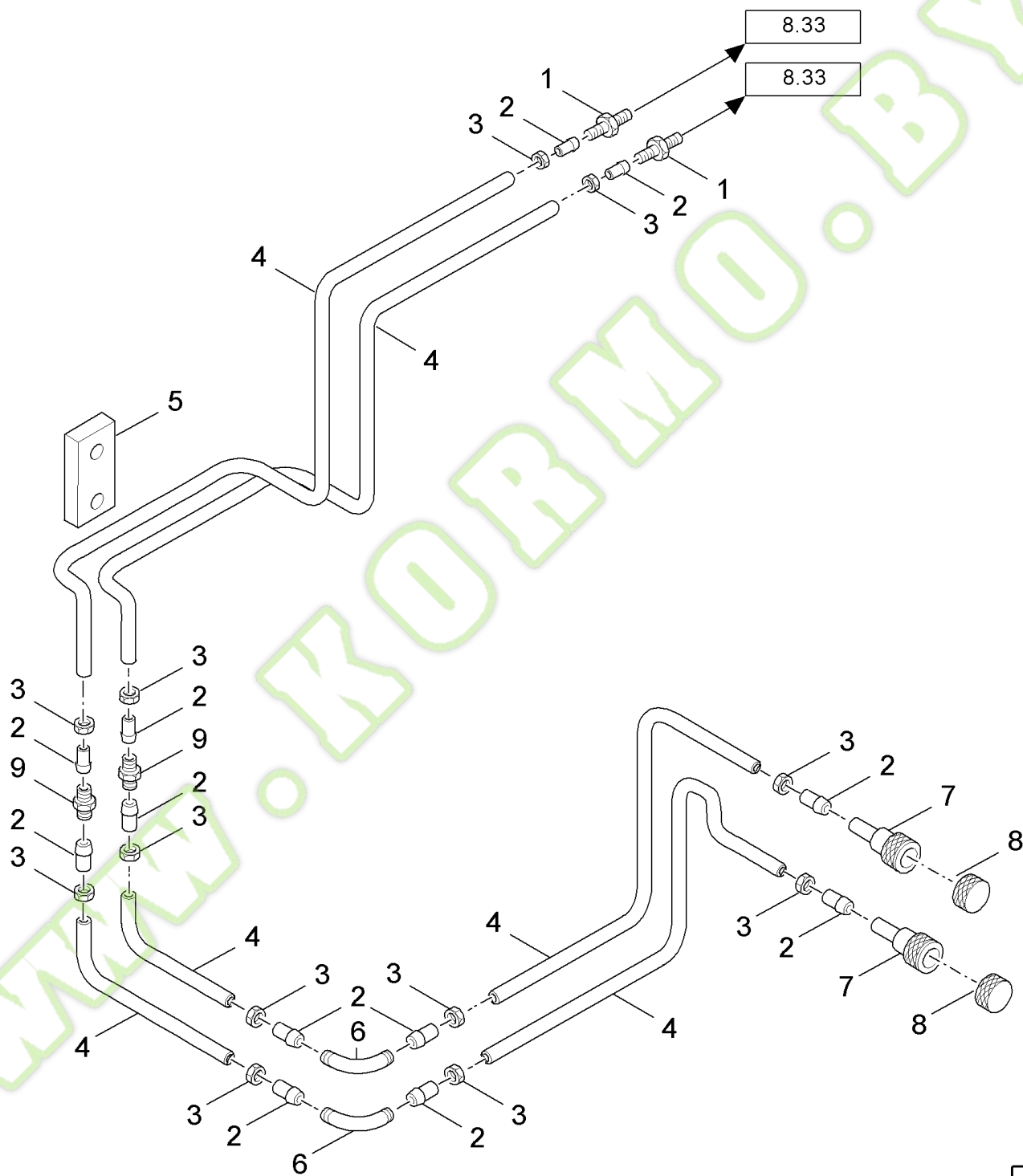
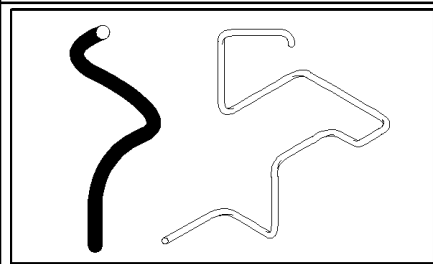
## 08.28(01) FLOTATION KIT "KEMPER 4500" AND "600N8X"

Ref	Part Number	Qty	Description
1	395782	2	CONNECTOR, HYD., {PP:80395782}
2	100043	6	NUT, {PP:80100043}
3	150015	6	FERRULE, {PP:80150015}
4	9513719	AR	TUBE, RIGID, {PP:89513719}
5	150019	1	CONNECTION, 3 WAY, {PP:80150019}
6	84041544	1	ACCUMULATOR, 100 Bar
7	140110	1	WASHER, {PP:80140110}
8	308823	1	NUT, {PP:80308823} M28 x 1.5, CI 8, M28x1.5
9	420773	1	VALVE, HYDRAULIC, {PP:80420773} (10,11), FOR 600N8X ONLY
10	84011927	1	KIT, SEALS, , FOR 600N8X ONLY
11	84017807	1	SPRING, , FOR 600N8X ONLY

WWW.KORMO.BY



08.29(01) REAR HYDRAULIC LINES

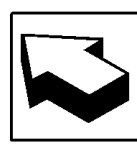
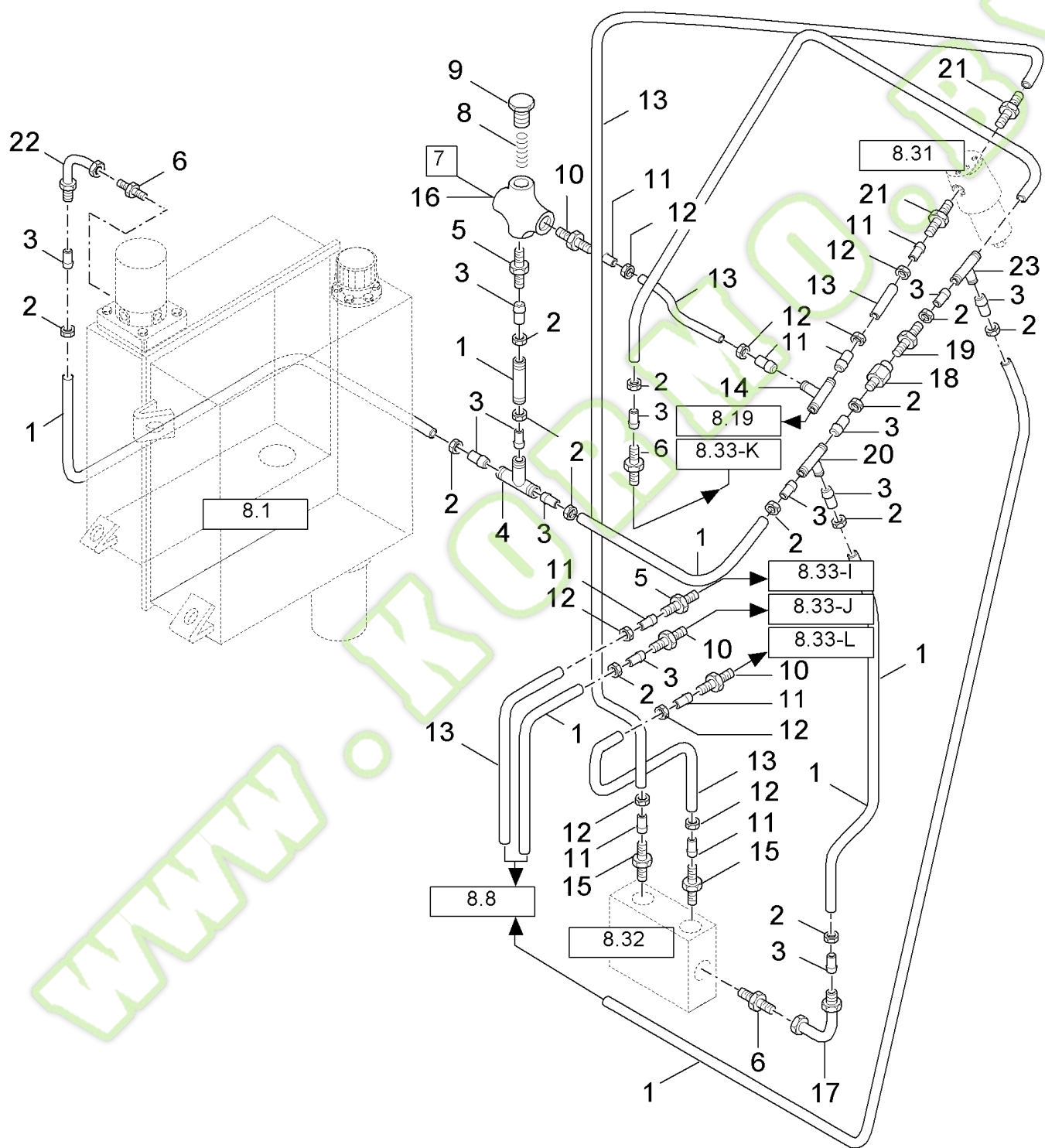
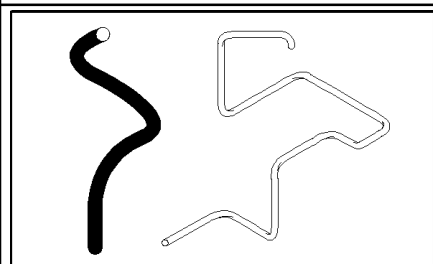


## 08.29(01) REAR HYDRAULIC LINES

Ref	Part Number	Qty	Description
1	395782	2	CONNECTOR, HYD., {PP:80395782}
2	150015	12	FERRULE, {PP:80150015}
3	100043	12	NUT, {PP:80100043}
4	9513719	AR	TUBE, RIGID, {PP:89513719} D=12
5	434097	1	BRACKET, {PP:80434097}
6	84014046	2	ELBOW,
7	84018988	2	COUPLING, QUICK, MALE,
8	266220	2	DUST CAP, {PP:80266220}
9	150018	2	CONNECTOR, HYD., {PP:80150018}

WWW.KORMO.BY

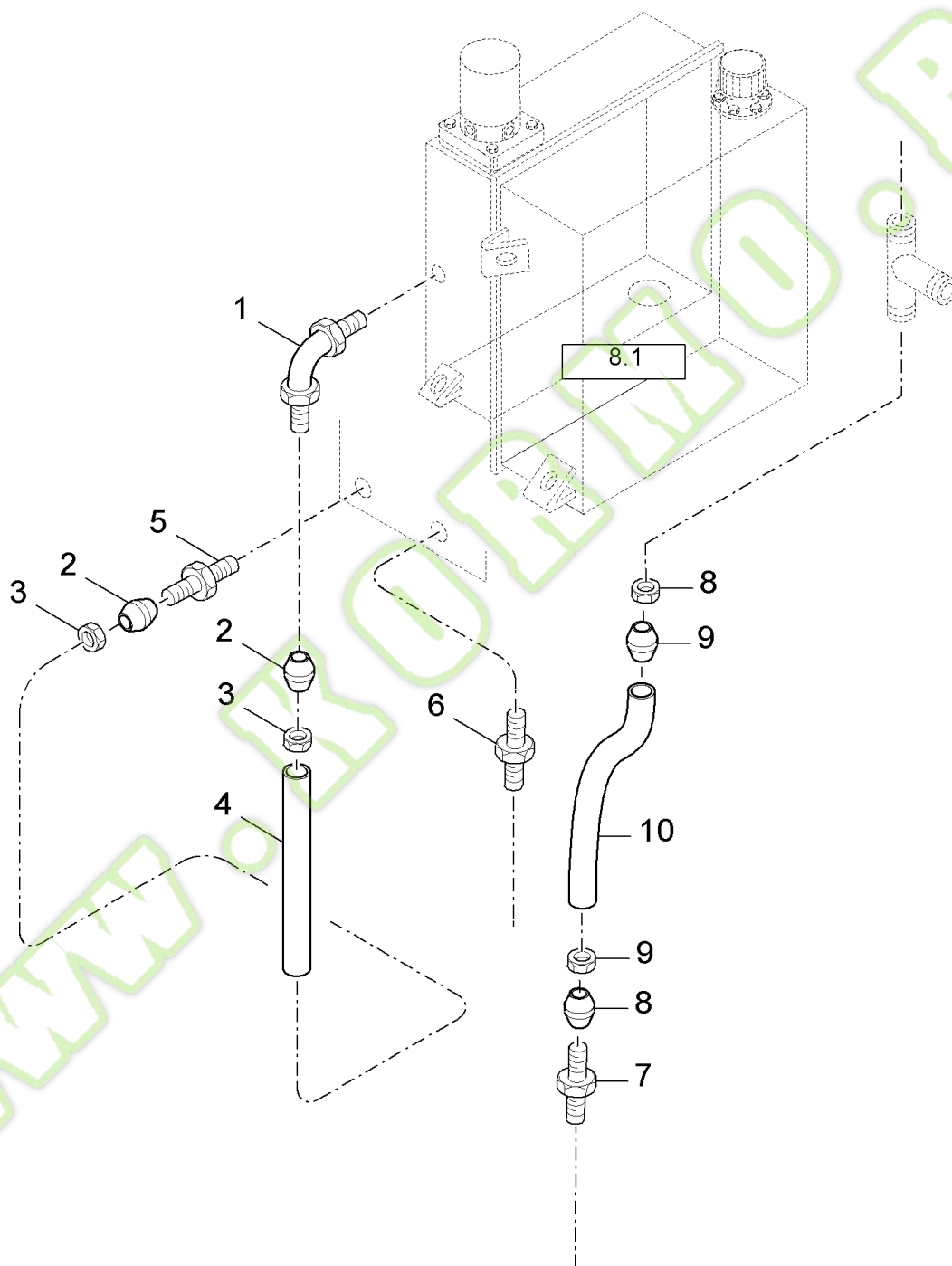
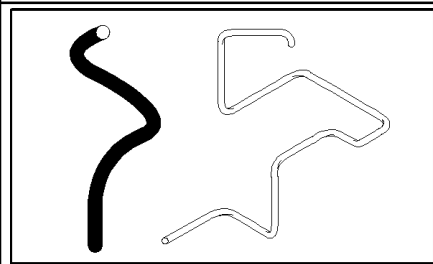
08.30(01) HYDRAULIC LINES TO MAIN VALVE



## FX48 SELF-PROPELLED FORAGE HARVESTER (9/98- )

## 08.30(01) HYDRAULIC LINES TO MAIN VALVE

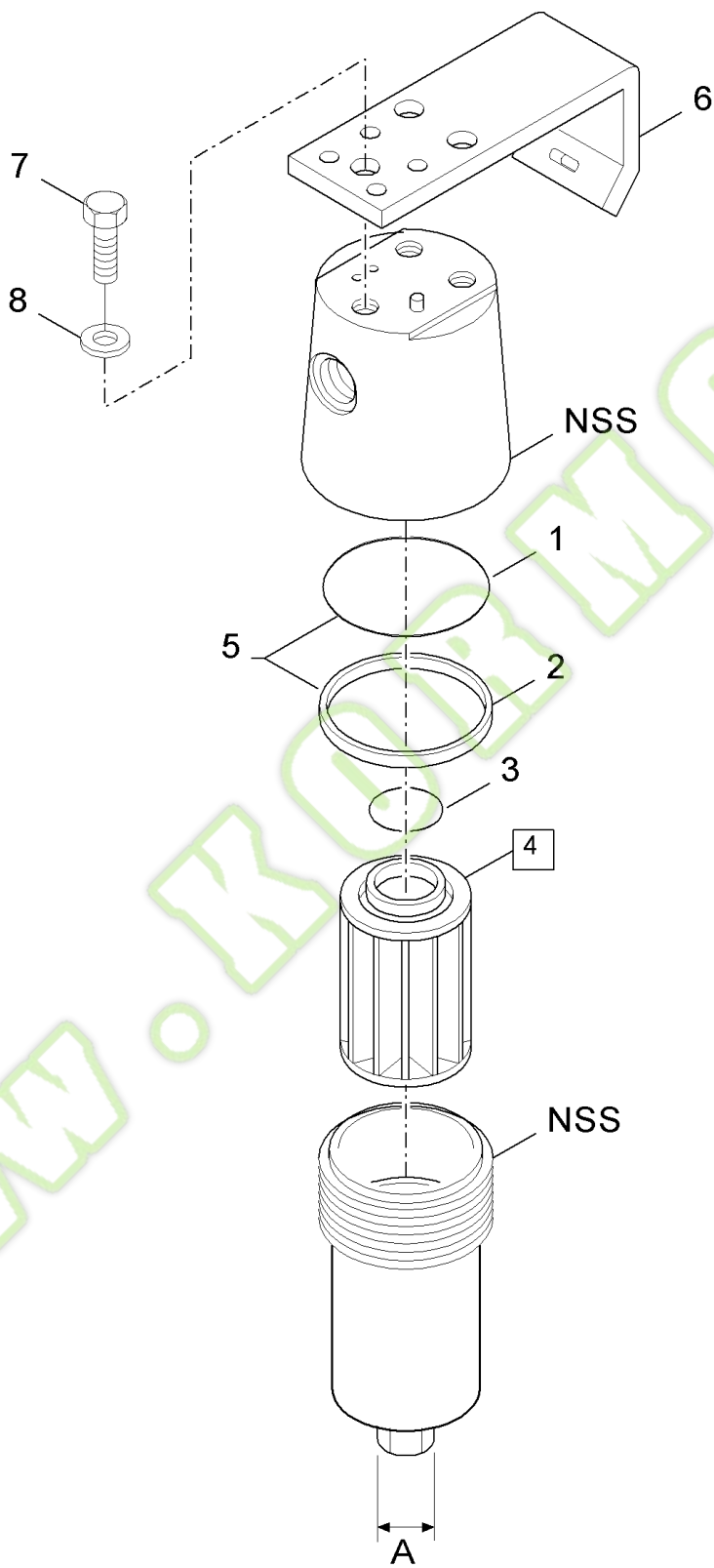
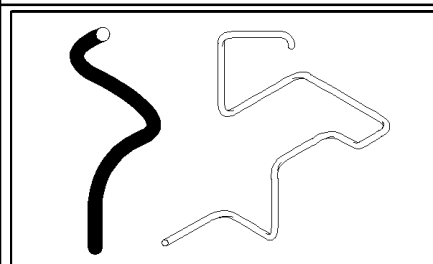
Ref	Part Number	Qty	Description
1	371534	AR	TUBE, RIGID, {PP:80371534} D=18
2	335170	14	NUT, {PP:80335170} M18
3	335168	14	FERRULE, {PP:80335168} 18MM
4	379431	1	CONNECTION, 3 WAY, {PP:80379431}
5	394373	1	CONNECTOR, HYD., {PP:80394373}
6	9501819	2	CONNECTOR, HYD., {PP:89501819}
7	9513728	1	VALVE, PRESSURE RELIEF, {PP:89513728} (8,9,16), BSN C189
7	420773	1	VALVE, HYDRAULIC, {PP:80420773} (8, 16), ASN D190
8	9813875	2	SPRING, {PP:89813875} , BSN C189
8	445343	1	SPRING, {PP:80445343} , ASN D190
9	417006	1	PLUG, {PP:80417006}
10	394372	2	CONNECTOR, HYD., {PP:80394372}
11	335169	6	FERRULE, {PP:80335169}
12	335171	6	NUT, {PP:80335171}
13	371536	AR	TUBE, RIGID, {PP:80371536} D=16,L=2M
14	444325	1	CONNECTION, 3 WAY, {PP:80444325}
15	9516263	2	CONNECTOR, HYD., {PP:89516263}
16	84011927	1	KIT, SEALS,
17	84019177	1	ELBOW,
18	89839382	1	VALVE, HYDRAULIC, , BSN C173
19	84042443	1	CONNECTOR, HYD., , BSN C173
20	84042442	1	CONNECTION, 3 WAY,
21	9850809	2	CONNECTOR, HYD., {PP:89850809}
22	447770	1	CONNECTOR, HYD., {PP:80447770}
23	84042442	1	CONNECTION, 3 WAY, , BSN C173



Ref	Part Number	Qty	Description
1	447770	1	CONNECTOR, HYD., {PP:80447770}
2	335168	AR	FERRULE, {PP:80335168} 18MM
3	335170	AR	NUT, {PP:80335170} M18
4	371534	AR	TUBE, RIGID, {PP:80371534} D=18MM
5	394373	1	CONNECTOR, HYD., {PP:80394373}
6	335174	1	CONNECTOR, HYD., {PP:80335174}
7	150017	1	CONNECTOR, HYD., {PP:80150017}
8	150014	AR	FERRULE, {PP:80150014} 10MM
9	100042	AR	NUT, {PP:80100042} M10
10	371539	AR	TUBE, RIGID, {PP:80371539} D=10MM

WWW.KORMO.BY

08.31(01) HIGH PRESSURE FILTER



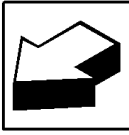
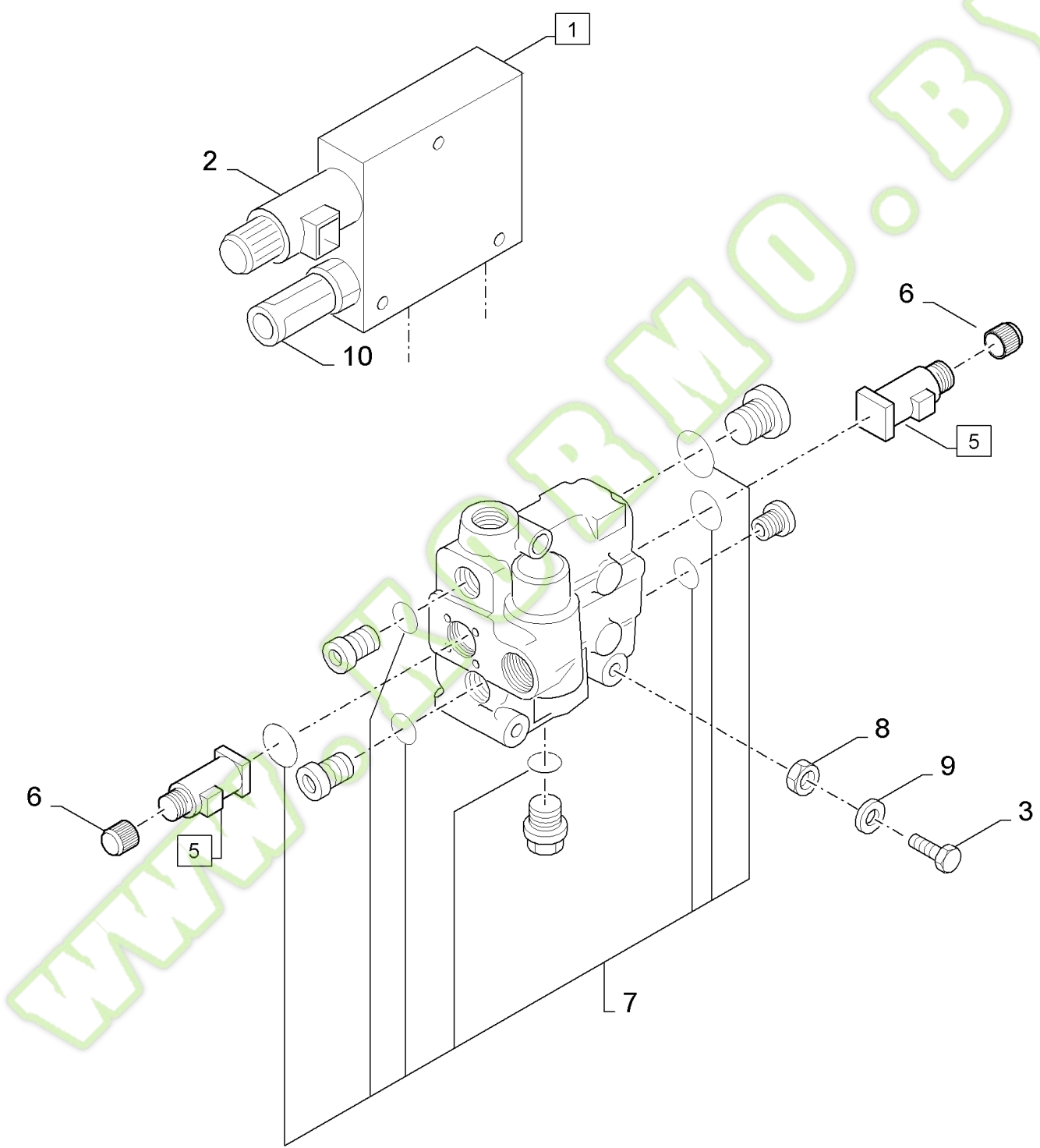
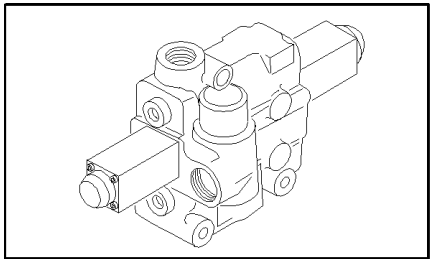
## FX48 SELF-PROPELLED FORAGE HARVESTER (9/98- )

## 08.31(01) HIGH PRESSURE FILTER

Ref	Part Number	Qty	Description
	84000128	1	FILTER, HYDRAULIC OIL,
1	84032330	1	O-RING, A=34, BSN C000
2	84032329	1	RING, A=34, BSN C000
3	84032331	1	ELEMENT, SEALING,
4	84004451	1	FILTER, ELEMENT, (3)
5	84814697	1	KIT, SEALS, A=24, ASN D000
6	84042445	1	SUPPORT,
8	322358	3	WASHER, LOCK, {PP:80322358} Belleville, M8, 8MM
7	16043224	3	SCREW, Hex, M8 x 16, 8.8, Full Thd, M8x16

WWW.KORMO.BY

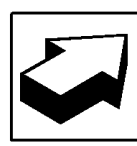
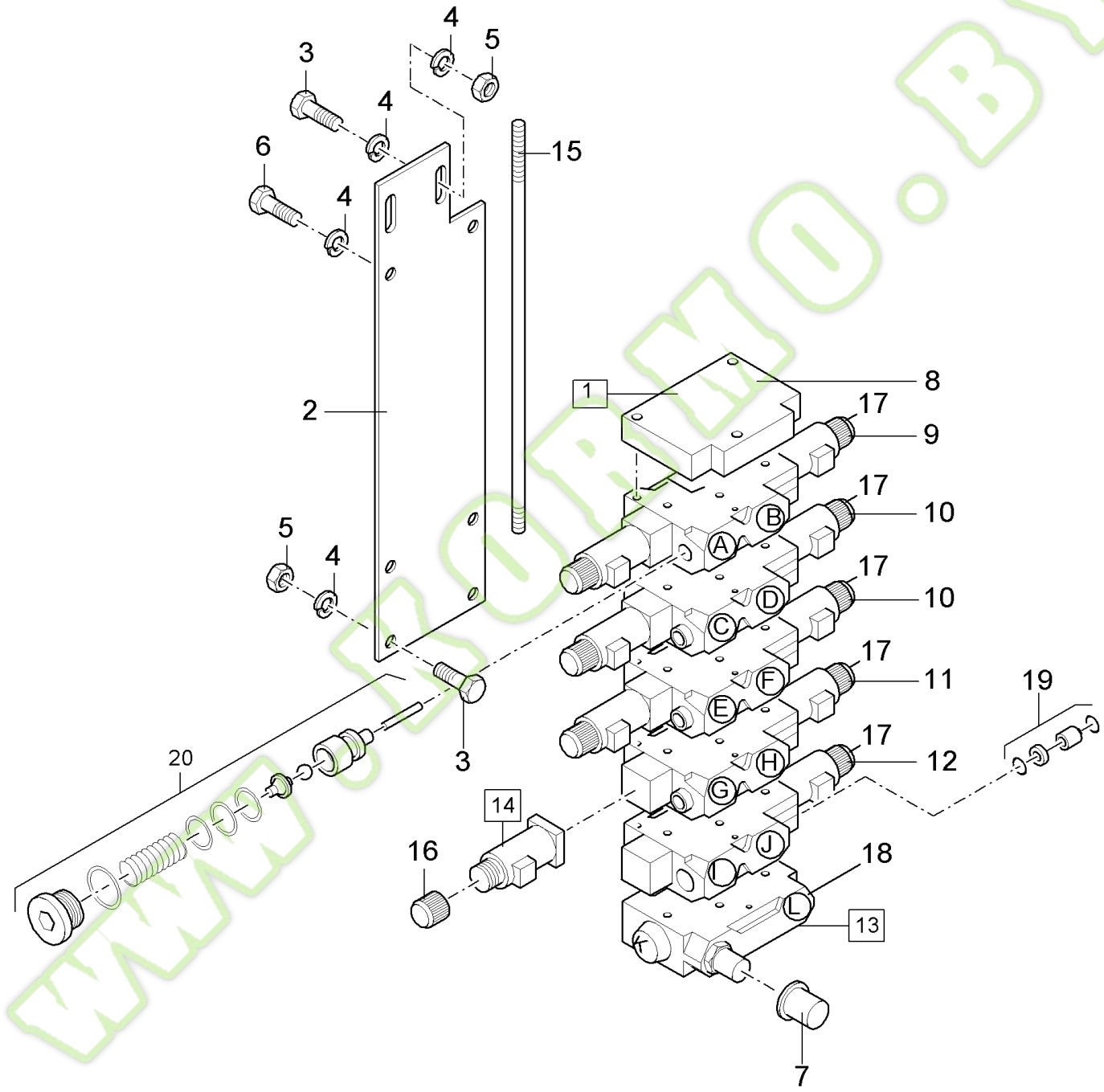
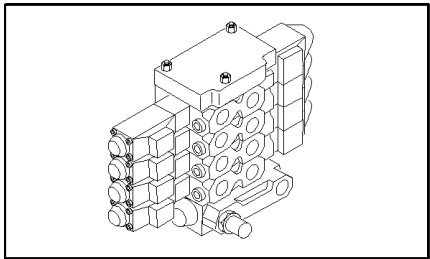




Ref	Part Number	Qty	Description
1	9831828	1	VALVE, HYDRAULIC, {PP:89831828} (1 & 2)
2	9831827	1	ELECTROMAGNET, {PP:89831827}
3	120063	3	SCREW, {PP:80120063} Hex, M8 x 80, 8.8, M8x80
4	84043954	1	VALVE, HYDRAULIC, (5 to 7)
5	84062114	2	ELECTROMAGNET, (6)
6	84429046	1	PROTECTION CAP,
7	84014429	1	KIT, SEALS,
8	100015	3	NUT, {PP:80100015} M8, CI 8, M8
9	322358	3	WASHER, LOCK, {PP:80322358} Belleville, M8, 8MM
10	84817017	1	SENSOR,

WWW.KORMO.BY

08.33(01) SB12 VALVE, 5 FUNCTIONS

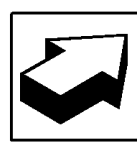
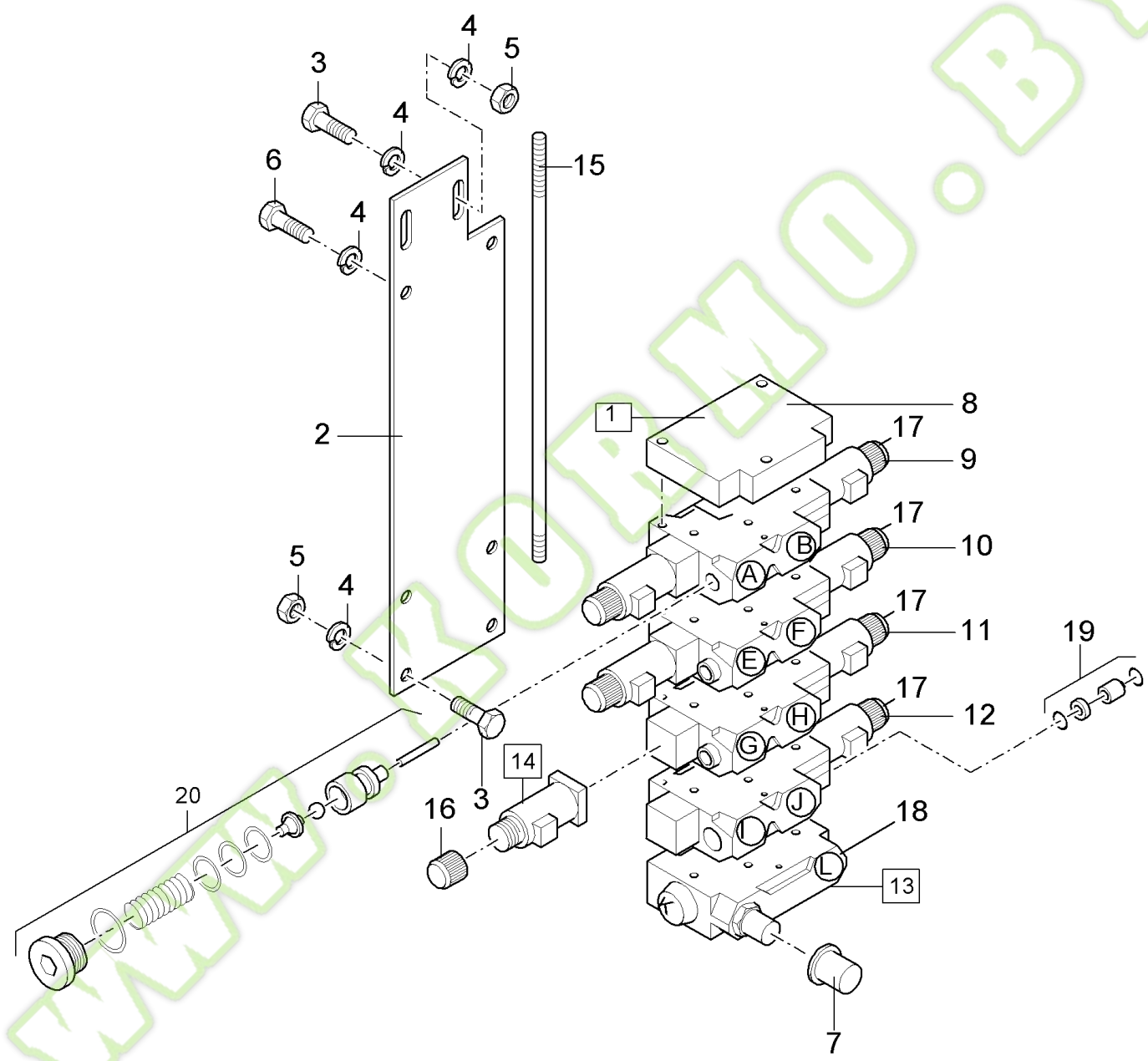
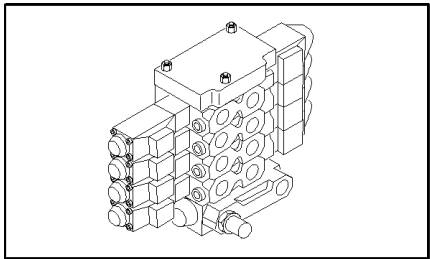


## FX48 SELF-PROPELLED FORAGE HARVESTER (9/98- )

## 08.33(01) SB12 VALVE, 5 FUNCTIONS

Ref	Part Number	Qty	Description
1	84043951	1	VALVE, HYDRAULIC, (8 to 13)
2	84007583	1	SUPPORT,
3	120101	4	SCREW, {PP:80120101} Hex, M6 x 30, 8.8, Full Thd, M8x25
4	322358	9	WASHER, LOCK, {PP:80322358} Belleville, M8, 8MM
5	100015	4	NUT, {PP:80100015} M8, CI 8, M8
7	84042643	1	COVER, CAP,
8	84022625	1	VALVE, HYDRAULIC,
9	84053375	1	VALVE, HYDRAULIC, (14,17,19,20)
10	84053380	2	VALVE, HYDRAULIC, (14,17,19)
11	84053382	1	VALVE, HYDRAULIC, (14,17,19), PROPORTIONAL
12	84053383	1	VALVE, HYDRAULIC, (14,17,19)
13	84022626	1	VALVE SEAT, (18)
14	84062114	2	ELECTROMAGNET, Prop.(16)
14	84062113	7	ELECTROMAGNET, On/Off(16)
15	84320064	3	ROD, THREADED,
16	84429046	9	PROTECTION CAP,
17	84014433	5	KIT, SEALS, , INCLUDES ALSO SEALS BETWEEN VALVES
18	84014431	1	KIT, SEALS,
19	84014434	5	KIT, REPAIR,
20	84039229	1	KIT, REPAIR,
6	16043224	3	SCREW, Hex, M8 x 16, 8.8, Full Thd, M8x16

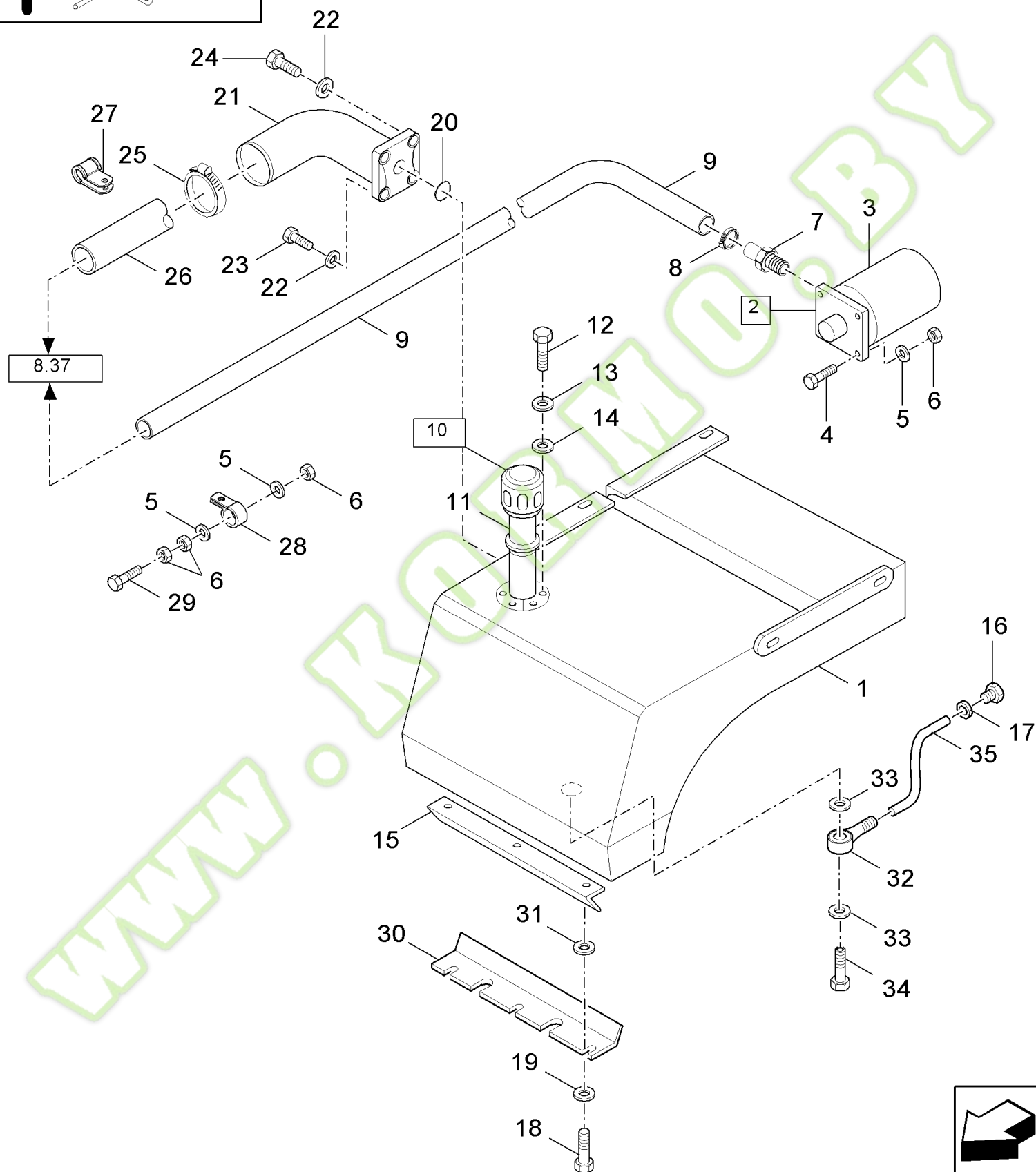
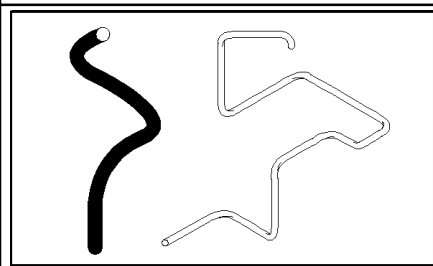
08.34(01) SB12 VALVE, 4 FUNCTIONS



## FX48 SELF-PROPELLED FORAGE HARVESTER (9/98- )

## 08.34(01) SB12 VALVE, 4 FUNCTIONS

Ref	Part Number	Qty	Description
1	84043949	1	VALVE, HYDRAULIC, (8 to 13)
2	84007583	1	SUPPORT,
3	120101	4	SCREW, {PP:80120101} Hex, M6 x 30, 8.8, Full Thd, M8x25
4	322358	9	WASHER, LOCK, {PP:80322358} Belleville, M8, 8MM
5	100015	4	NUT, {PP:80100015} M8, CI 8, M8
7	84042643	1	COVER, CAP,
8	84022625	1	VALVE, HYDRAULIC,
9	84053375	1	VALVE, HYDRAULIC, (14,17,19,20)
10	84053380	1	VALVE, HYDRAULIC, (14,17,19)
11	84053382	1	VALVE, HYDRAULIC, (14,17,19), PROPORTIONAL
12	84053383	1	VALVE, HYDRAULIC, (14,17,19)
13	84022626	1	VALVE SEAT, (18)
14	84062114	2	ELECTROMAGNET, Prop(16)
14	84062113	5	ELECTROMAGNET, On/Off(16)
15	84320063	3	ROD, THREADED,
16	84429046	7	PROTECTION CAP,
17	84014433	4	KIT, SEALS, , INCLUDES ALSO SEALS BETWEEN VALVES
18	84014431	1	KIT, SEALS,
19	84014434	4	KIT, REPAIR,
20	84039229	1	KIT, REPAIR,
6	16043224	3	SCREW, Hex, M8 x 16, 8.8, Full Thd, M8x16

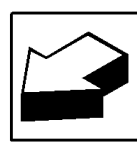
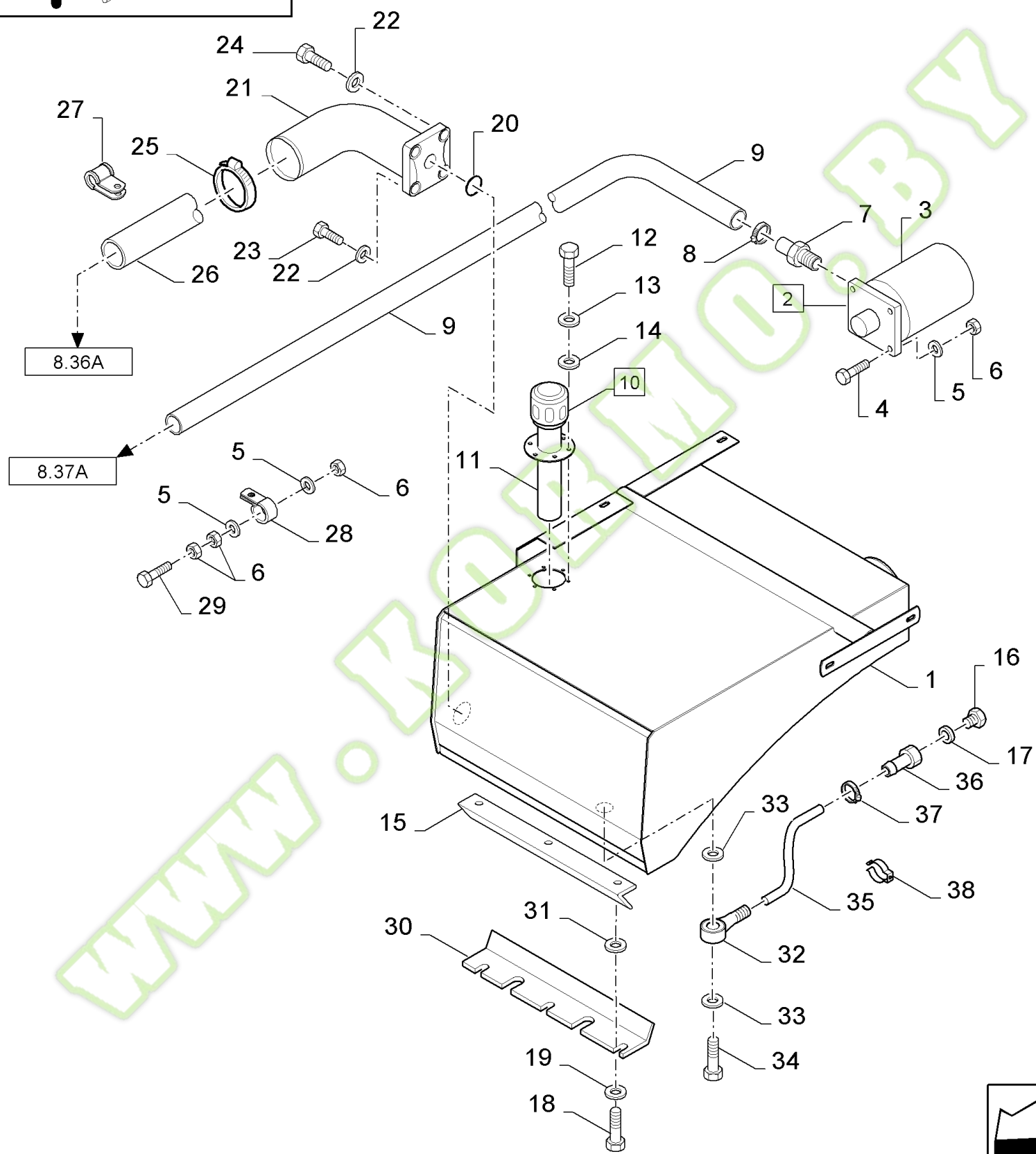
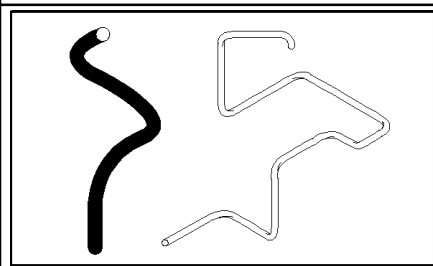


## FX48 SELF-PROPELLED FORAGE HARVESTER (9/98- )

## 08.35(01) HYDRAULICS FOR HIGH CAPACITY AND TANK - C217

Ref	Part Number	Qty	Description
1	84032492	1	RESERVOIR, HYDRAULIC OIL,
2	84038051	1	FILTER, ENGINE OIL, (3)
3	9814477	1	FILTER, ELEMENT, {PP:89814477}
4	43127	4	BOLT, {PP:80043127} Hex, M8 x 25, 8.8, M8x25
5	322358	AR	WASHER, LOCK, {PP:80322358} Belleville, M8, 8MM
6	100015	7	NUT, {PP:80100015} M8, CI 8, M8
7	457417	1	CONNECTOR, HYD., {PP:80457417}
8	382527	1	CLAMP, {PP:80382527}
9	84036291	1	HOSE, FLEXIBLE,
10	84036281	1	DIPSTICK, (11)
11	84037210	1	KIT, SEALS,
12	120098	6	SCREW, {PP:80120098} Hex, M5 x 20, 8.8, Full Thd, M5x20
13	322356	6	WASHER, LOCK, {PP:80322356} 5MM
14	373817	6	ELEMENT, SEALING, {PP:80373817}
15	84032500	1	SUPPORT,
16	150060	1	PLUG, {PP:80150060}
17	9511034	1	GASKET, {PP:89511034}
18	80412256	3	SCREW, M10x25
19	140045	3	WASHER, LOCK, {PP:80140045} Belleville, M10, 10MM
20	167266	1	O-RING, {PP:80167266} 12-1, 90 Duro, .924 ID x .116" Thk, 90 Duro, .924" ID x .116" Thk
21	89817438	1	FLANGE,
22	322357	4	WASHER, LOCK, {PP:80322357} Belleville, M6, Belleville, M6
23	84089718	2	SCREW, M6x20
24	356464	1	SCREW, {PP:80356464} M6x50
25	382528	1	CLAMP, {PP:80382528}
26	84032977	1	HOSE, FLEXIBLE,
27	455556	AR	CLAMP, {PP:80455556} 1-1/4"
28	9513271	AR	CLAMP, {PP:89513271} 1"
29	120106	1	SCREW, {PP:80120106} Hex, M8 x 40, 8.8, Full Thd, Hex, M8 x 40, 8.8, Full Thd
30	84062053	1	PLATE,
31	140042	3	WASHER, LOCK, {PP:80140042} M10 x 34 x 3,
32	80326078	1	CONNECTOR, HYD.,
33	220122	2	GASKET, {PP:80220122}
34	84100235	1	SCREW, HOLLOW,
35	9516094	AR	HOSE, {PP:89516094} L=2M

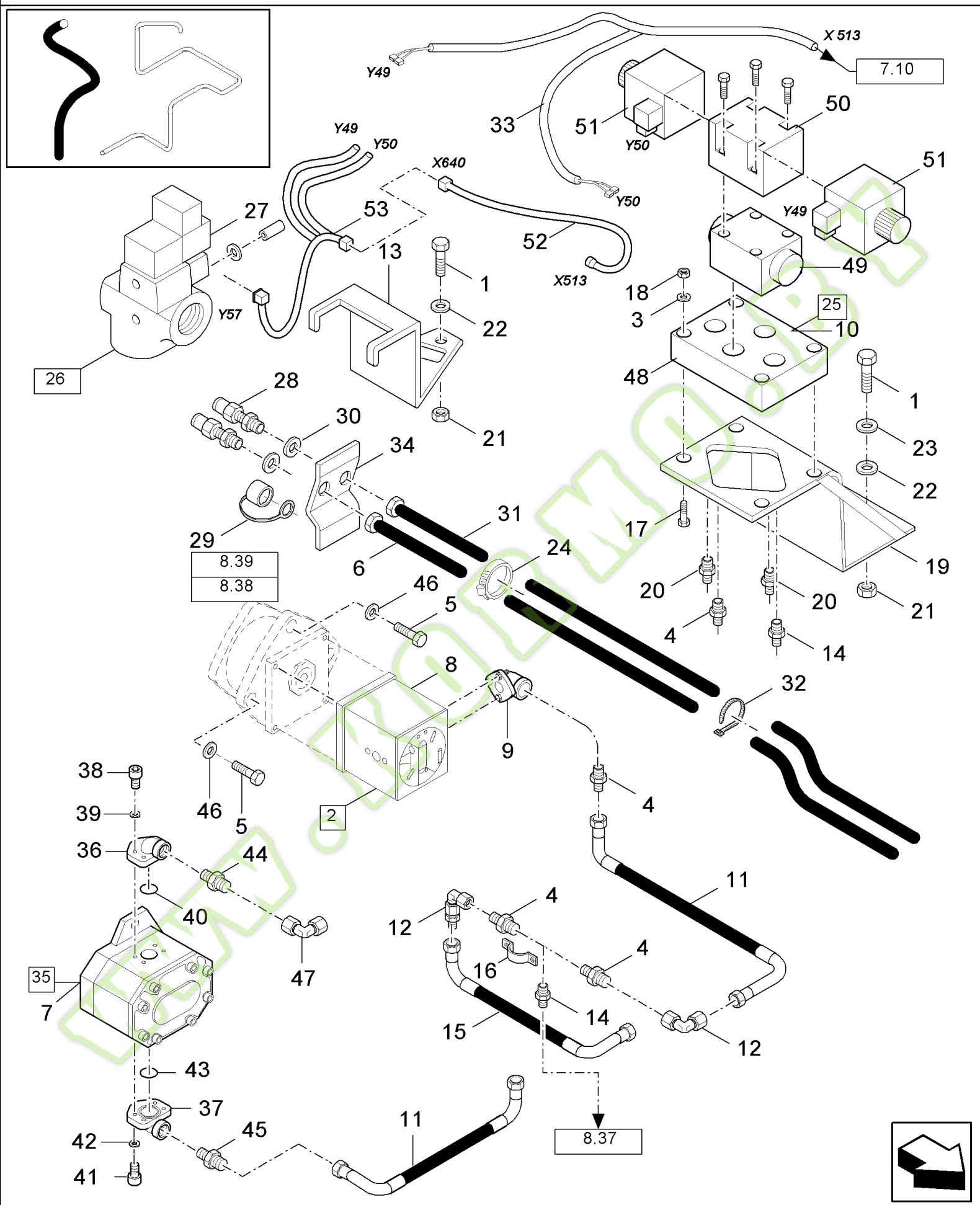




## FX48 SELF-PROPELLED FORAGE HARVESTER (9/98- )

## 08.35A(01) HYDRAULICS FOR HIGH CAPACITY AND TANK - D218

Ref	Part Number	Qty	Description
1	84817097	1	RESERVOIR, HYDRAULIC OIL,
2	84038051	1	FILTER, ENGINE OIL, (3)
3	9814477	1	FILTER, ELEMENT, {PP:89814477}
4	43127	4	BOLT, {PP:80043127} Hex, M8 x 25, 8.8, Cap, HH, CL 8.8, M8 x 1.25 x 25
5	322358	AR	WASHER, LOCK, {PP:80322358} Belleville, M8, 8MM
6	100015	7	NUT, {PP:80100015} M8, CI 8, M8
7	457417	1	CONNECTOR, HYD., {PP:80457417}
8	382527	1	CLAMP, {PP:80382527}
9	84036291	1	HOSE, FLEXIBLE,
10	84036281	1	DIPSTICK, (11)
11	84037210	1	KIT, SEALS,
12	120098	6	SCREW, {PP:80120098} Hex, M5 x 20, 8.8, Full Thd, M5x20
13	322356	6	WASHER, LOCK, {PP:80322356} 5MM
14	373817	6	ELEMENT, SEALING, {PP:80373817}
15	84817096	1	SUPPORT,
16	150060	1	PLUG, {PP:80150060}
17	9511034	1	GASKET, {PP:89511034}
18	80412256	3	SCREW, M10x25
19	140045	3	WASHER, LOCK, {PP:80140045} Belleville, M10, 10MM
20	167266	1	O-RING, {PP:80167266} 12-1, 90 Duro, .924 ID x .116" Thk, 90 Duro, .924" ID x .116" Thk
21	89817438	1	FLANGE,
22	140044	4	WASHER, {PP:80140044}
23	120229	2	SCREW, {PP:80120229} Hex Soc Hd, M6 x 20, 8.8, M6x20
24	356464	2	SCREW, {PP:80356464} M6x50
25	382528	1	CLAMP, {PP:80382528}
26	84032977	1	HOSE, FLEXIBLE, , FOR FX58 ONLY
26	84442404	1	HOSE, FLEXIBLE, , FOR FX28-38-48 ONLY
27	455556	AR	CLAMP, {PP:80455556} 1-1/4"
28	9513271	AR	CLAMP, {PP:89513271} 1"
29	120106	1	SCREW, {PP:80120106} Hex, M8 x 40, 8.8, Full Thd, Hex, M8 x 40, 8.8, Full Thd
30	84062053	1	PLATE,
31	140042	3	WASHER, LOCK, {PP:80140042} M10 x 34 x 3,
32	80326078	1	CONNECTOR, HYD.,
33	220122	2	GASKET, {PP:80220122}
34	84100235	1	SCREW, HOLLOW,
35	9516094	AR	HOSE, {PP:89516094} L=2M, 24MM
36	80326079	AR	CONNECTOR, HYD.,
37	326082	AR	CLAMP, {PP:80326082}
38	9511662	2	CLAMP, {PP:89511662}



## FX48 SELF-PROPELLED FORAGE HARVESTER (9/98- )

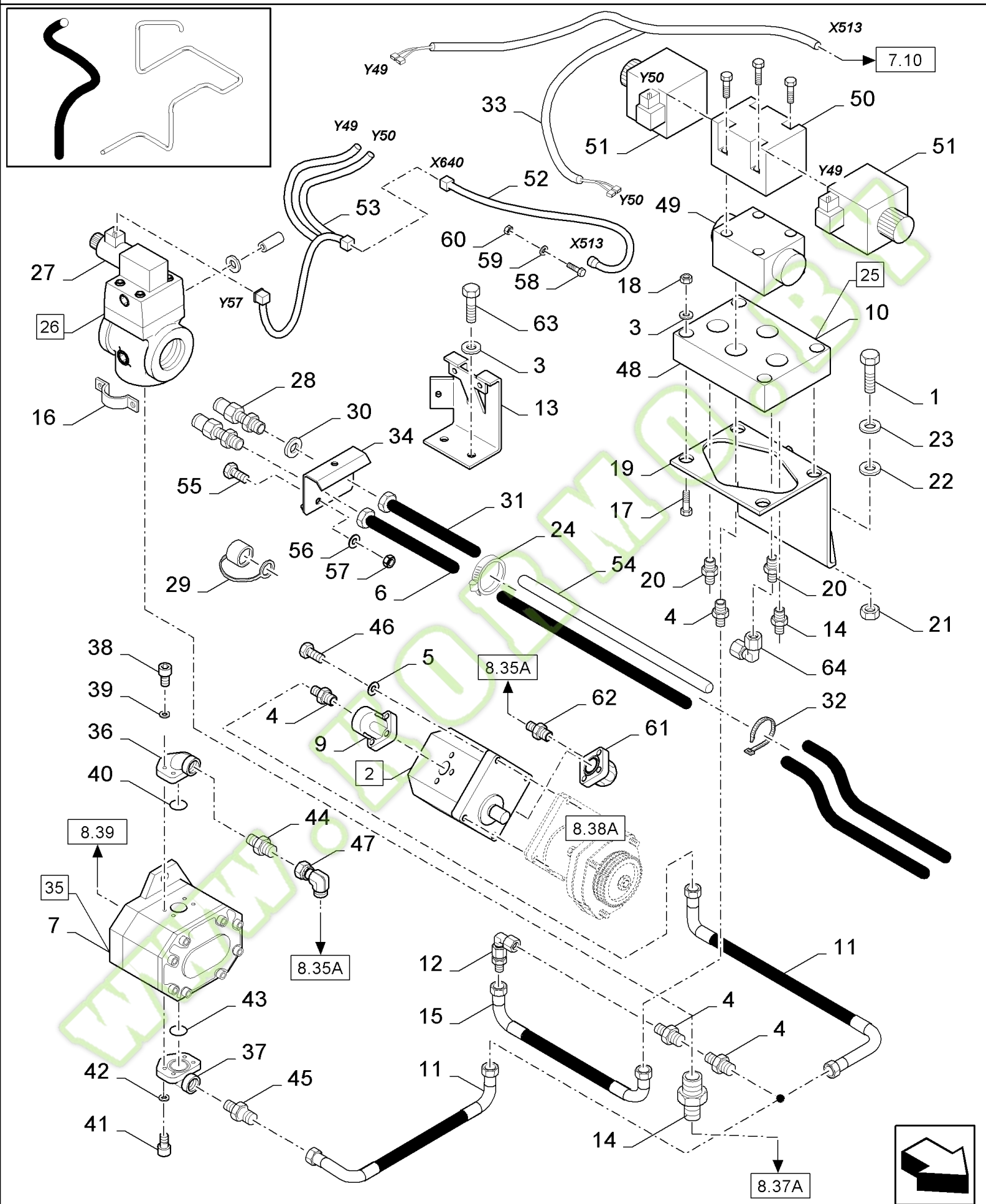
## 08.36(01) HIGH CAPACITY HYDRAULICS, VALVES AND LINES - C217

Ref	Part Number	Qty	Description
1	120089	4	BOLT, {PP:80120089} Hex, M16 x 40, 8.8, Hex, M16 x 40, 8.8
2	84039548	1	PUMP, HYDRAULIC, (8), FOR FX28-38-48 ONLY
3	140045	4	WASHER, LOCK, {PP:80140045} Belleville, M10, 10MM
4	84036285	AR	CONNECTOR, HYD.,
5	84039516	1	SCREW, Hex, M10 x 40, 8.8, Hex, M10 x 40, 8.8
6	84058543	1	HOSE, FLEXIBLE,
7	84062560	1	KIT, SEALS, , FOR FX58 ONLY
8	84036983	1	KIT, SEALS,
9	89813318	4	CONNECTOR, HYD., , FOR FX28-38-48 ONLY
10	84037439	1	KIT, SEALS,
11	84032978	1	HOSE, FLEXIBLE, , FOR FX28-38-48 ONLY
11	84058542	1	HOSE, FLEXIBLE, , FOR FX58 ONLY
12	84032976	2	ELBOW,
13	84042943	1	SUPPORT,
14	84036286	2	CONNECTOR, HYD.,
15	84032979	1	HOSE, FLEXIBLE,
16	84041020	1	CLAMP,
17	84015950	4	SCREW, M10x50
18	100016	6	NUT, {PP:80100016} M10, CI 8, M10
19	84036295	1	SUPPORT,
20	89835290	2	CONNECTOR, HYD.,
21	100020	4	NUT, {PP:80100020} M16, CI 8, M16, CI 8
22	140048	4	WASHER, LOCK, {PP:80140048} Belleville, M16, 16MM
23	378246	4	WASHER, {PP:80378246} 16MM
24	9513271	AR	CLAMP, {PP:89513271}
25	84069154	1	VALVE, HYDRAULIC, (48 to 51)
26	84039549	1	VALVE, HYDRAULIC, (27), NOT FOR NA
26	84031797	1	VALVE, HYDRAULIC, (27), FOR NA ONLY
27	84037412	1	KIT, SEALS,
28	84032982	2	COUPLING, QUICK, MALE,
29	266220	2	DUST CAP, {PP:80266220}
30	36622	2	WASHER, {PP:80036622}
31	84062169	1	HOSE, FLEXIBLE,
32	396718	1	STRAP, {PP:80396718}
33	84035515	1	HARNESS, WIRE, , FOR FX28-38-48 ONLY, NOT FOR NA
33	84057935	1	HARNESS, WIRE, , FOR FX58 ONLY, NOT FOR NA
34	84035579	1	SUPPORT, , FOR FX28-38-48 ONLY, NOT FOR NA
35	84056943	1	PUMP, HYDRAULIC, (7), FOR FX58 ONLY
35	84045760	1	PUMP, HYDRAULIC, (7), FOR FX58 ONLY, FOR NA ONLY
36	84045769	1	FLANGE, , FOR FX58 ONLY
37	84045768	1	FLANGE, , FOR FX58 ONLY
38	84062556	4	SCREW, , FOR FX58 ONLY
39	84062558	4	WASHER, 7/16", FOR FX58 ONLY
40	84062579	1	O-RING, , FOR FX58 ONLY
41	84062557	4	SCREW, , FOR FX58 ONLY

## FX48 SELF-PROPELLED FORAGE HARVESTER (9/98- )

## 08.36(01) HIGH CAPACITY HYDRAULICS, VALVES AND LINES - C217

Ref	Part Number	Qty	Description
42	84062559	4	WASHER, 3/8", FOR FX58 ONLY
43	84062578	1	O-RING, , FOR FX58 ONLY
44	84057528	1	CONNECTOR, HYD., , FOR FX58 ONLY
45	84057606	1	CONNECTOR, HYD., , FOR FX58 ONLY
46	80681	4	WASHER, LOCK, {PP:80080681} 5/16", 5/16"
47	84045770	1	CONNECTOR, HYD., , FOR FX58 ONLY
48	84031800	1	PLATE,
49	84031799	1	VALVE, HYDRAULIC,
50	84069153	1	VALVE, HYDRAULIC,
51	84037440	2	ELECTROMAGNET,
52	84439764	1	HARNESS, WIRE, , FOR FX28-38 ONLY, FOR NA ONLY, ASN D218
52	84057103	1	HARNESS, WIRE, , FOR FX28-38 ONLY, FOR NA ONLY, BSN C173
52	84057923	1	HARNESS, WIRE, , FOR FX58 ONLY, FOR NA ONLY
53	84057921	1	HARNESS, WIRE, , FOR FX58 ONLY, FOR NA ONLY
53	84002760	1	HARNESS, WIRE, , FOR FX28-38 ONLY, FOR NA ONLY



## FX48 SELF-PROPELLED FORAGE HARVESTER (9/98- )

## 08.36A(01) HIGH CAPACITY HYDRAULICS, VALVES AND LINES - D218

Ref	Part Number	Qty	Description
1	43168	1	SCREW, {PP:80043168} Hex, M16 x 40, 8.8, Hex, M16 x 40, 8.8
2	84432997	1	PUMP, HYDRAULIC, (8)
3	140045	AR	WASHER, LOCK, {PP:80140045} Belleville, M10, 10MM
4	84036285	4	CONNECTOR, HYD.,
5	84442155	3	SCREW, M12x35
6	84440644	1	HOSE, FLEXIBLE,
7	84062560	1	KIT, SEALS, , FOR FX58 ONLY
8	84036983	1	KIT, SEALS,
9	89813318	1	CONNECTOR, HYD., , FOR FX28-38-48 ONLY
10	84037439	1	KIT, SEALS,
11	84440645	1	HOSE, FLEXIBLE, , FOR FX28-38-48 ONLY
11	84442059	1	HOSE, FLEXIBLE, , FOR FX58 ONLY
12	84032976	1	ELBOW,
13	84442071	1	SUPPORT,
14	84036286	2	CONNECTOR, HYD.,
15	84442351	1	HOSE, FLEXIBLE,
16	84041020	1	CLAMP,
17	84015950	4	SCREW, M10x50
18	100016	6	NUT, {PP:80100016} M10, CI 8, M10
19	84442069	1	SUPPORT,
20	89835290	2	CONNECTOR, HYD.,
21	100020	1	NUT, {PP:80100020} M16, CI 8, M16, CI 8
22	140048	1	WASHER, LOCK, {PP:80140048} Belleville, M16, 16MM
23	378246	1	WASHER, {PP:80378246} 16MM
24	9513271	AR	CLAMP, {PP:89513271}
25	84069154	1	VALVE, HYDRAULIC, (48 to 51)
26	84039549	1	VALVE, HYDRAULIC, (27), NOT FOR NA
26	84031797	1	VALVE, HYDRAULIC, (27), FOR NA ONLY
27	84037412	1	KIT, SEALS,
28	84032982	2	COUPLING, QUICK, MALE,
29	266220	2	DUST CAP, {PP:80266220}
30	36622	2	WASHER, {PP:80036622}
31	84440643	1	HOSE, FLEXIBLE,
32	396718	1	STRAP, {PP:80396718}
33	84035515	1	HARNESS, WIRE, , FOR FX28-38-48 ONLY, NOT FOR NA
33	84057935	1	HARNESS, WIRE, , FOR FX58 ONLY, NOT FOR NA
34	84442056	1	BRACKET,
35	84056943	1	PUMP, HYDRAULIC, (7), FOR FX58 ONLY
35	84045760	1	PUMP, HYDRAULIC, (7), FOR FX58 ONLY, FOR NA ONLY
36	84045769	1	FLANGE, , FOR FX58 ONLY
37	84045768	1	FLANGE, , FOR FX58 ONLY
38	84062556	4	SCREW, , FOR FX58 ONLY
39	84062558	4	WASHER, 7/16", FOR FX58 ONLY
40	84062579	1	O-RING, , FOR FX58 ONLY
41	84062557	4	SCREW, , FOR FX58 ONLY

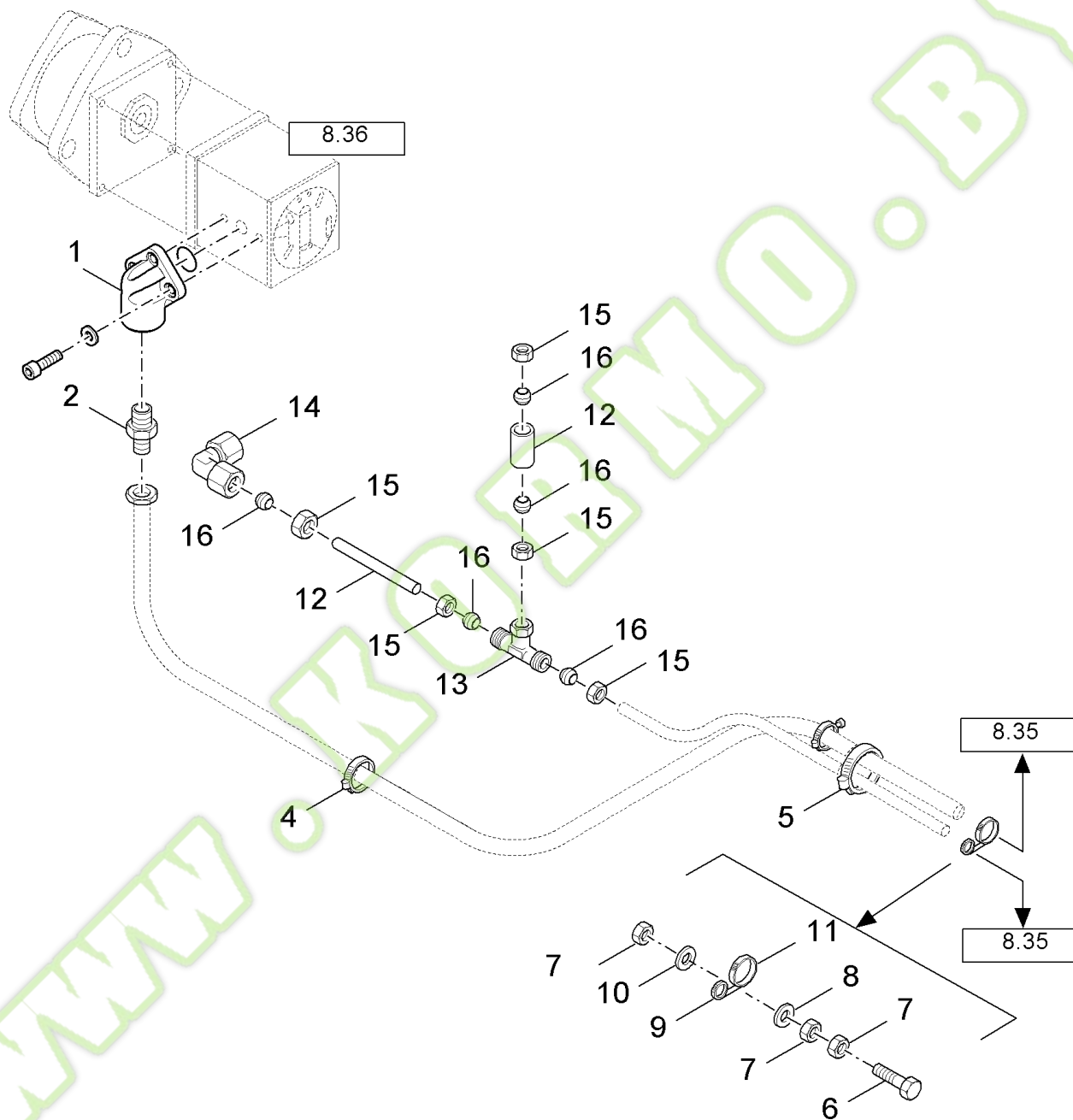
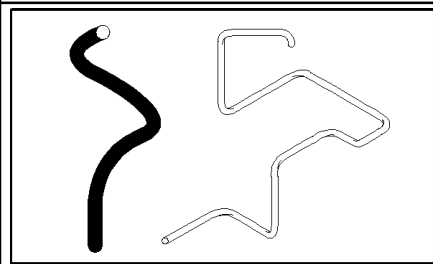


## FX48 SELF-PROPELLED FORAGE HARVESTER (9/98- )

## 08.36A(01) HIGH CAPACITY HYDRAULICS, VALVES AND LINES - D218

Ref	Part Number	Qty	Description
42	84062559	4	WASHER, 3/8", FOR FX58 ONLY
43	84062578	1	O-RING, , FOR FX58 ONLY
44	84057528	1	CONNECTOR, HYD., , FOR FX58 ONLY
45	84057606	1	CONNECTOR, HYD., , FOR FX58 ONLY
46	300913	3	WASHER, LOCK, {PP:80300913}, FOR FX28-38-48 ONLY
47	84045770	1	CONNECTOR, HYD., , FOR FX58 ONLY
48	84031800	1	PLATE,
49	84031799	1	VALVE, HYDRAULIC,
50	84069153	1	VALVE, HYDRAULIC,
51	84037440	2	ELECTROMAGNET,
52	84439764	1	HARNESS, WIRE, , FOR FX28-38 ONLY, FOR NA ONLY
52	84057923	1	HARNESS, WIRE, , FOR FX58 ONLY, FOR NA ONLY
53	84057921	1	HARNESS, WIRE, , FOR FX58 ONLY, FOR NA ONLY
53	84002760	1	HARNESS, WIRE, , FOR FX28-38 ONLY, FOR NA ONLY
54	NS	1	NOT SERVICED, TUBE
55	43127	AR	BOLT, {PP:80043127} Hex, M8 x 25, 8.8, Cap, HH, CL 8.8, M8 x 1.25 x 25
56	322358	AR	WASHER, LOCK, {PP:80322358} Belleville, M8, 8MM
57	89706690	AR	NUT, CL 8, M8 x 1.25 x 13.0
58	86511816	4	SCREW, Cross Pan Hd, M3 x 16, M3x16, NOT FOR NA
59	412547	4	WASHER, LOCK, {PP:80412547} Serr, M3, 3,2MM, NOT FOR NA
60	86508812	4	NUT, M3, CI 8, M3, NOT FOR NA
61	84031794	1	FLANGE, , FOR FX28-38-48 ONLY
62	84036282	1	CONNECTOR, HYD., , FOR FX28-38-48 ONLY
63	43140	4	BOLT, {PP:80043140} Hex, M10 x 30, 8.8, M10x30
64	447770	1	CONNECTOR, HYD., {PP:80447770}

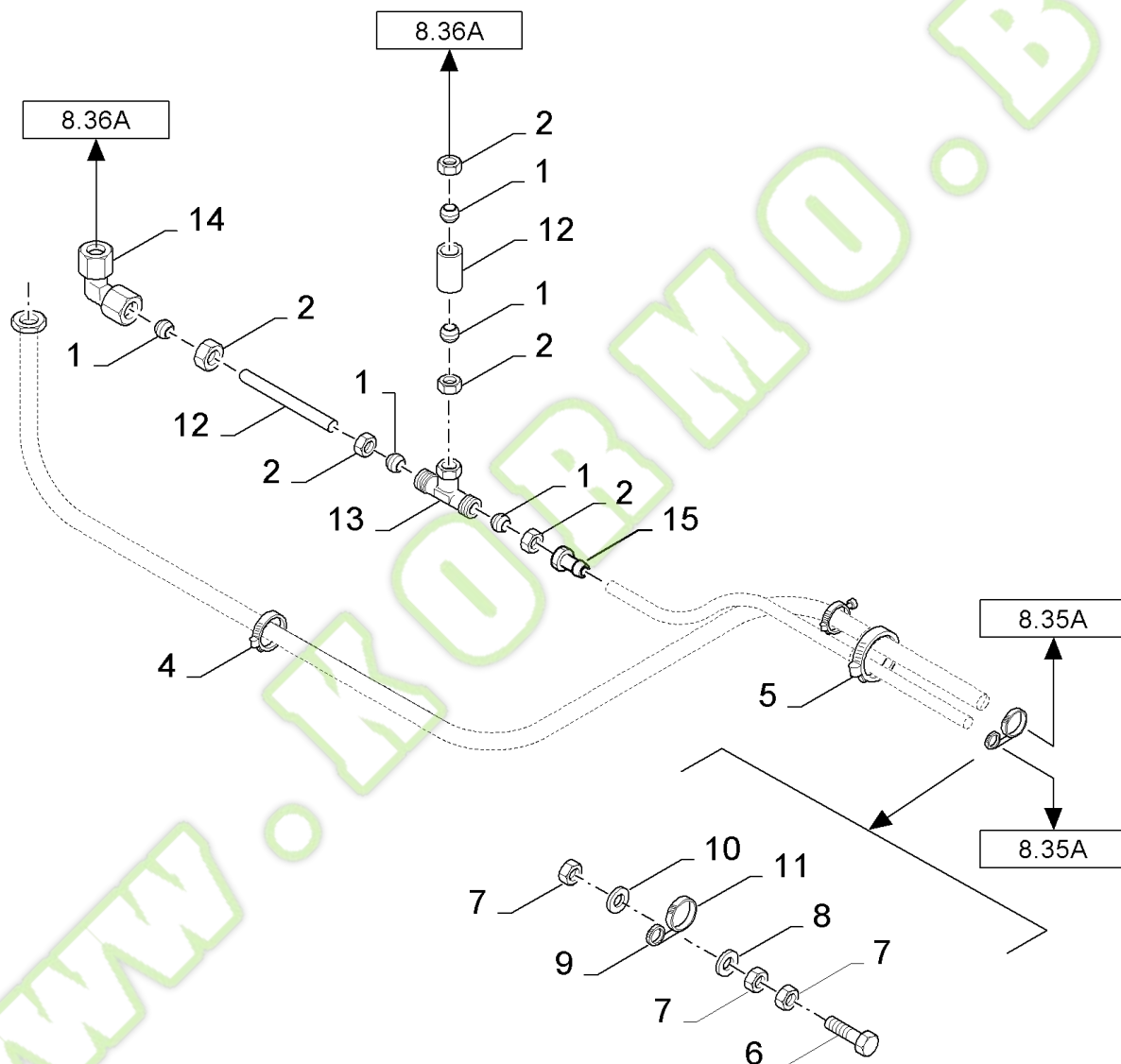
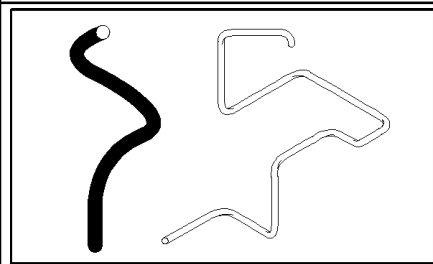




## FX48 SELF-PROPELLED FORAGE HARVESTER (9/98- )

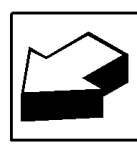
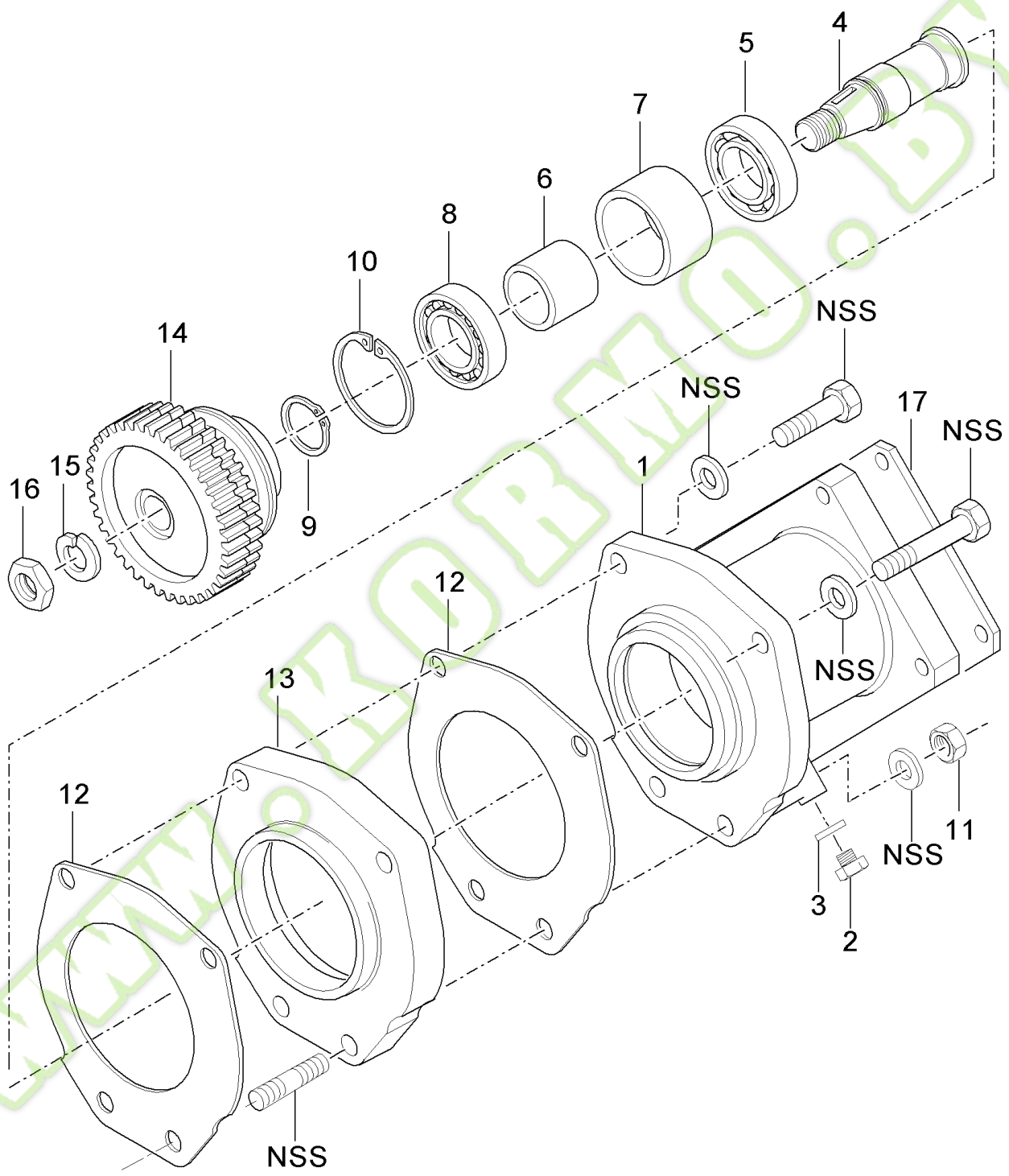
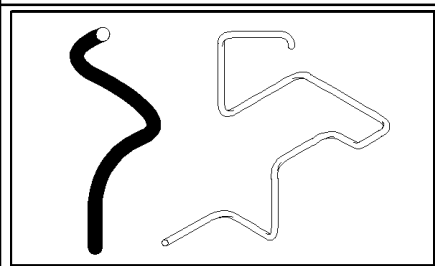
## 08.37(01) HIGH CAPACITY HYDRAULICS, VALVES AND LINES - C217

Ref	Part Number	Qty	Description
1	84031794	1	FLANGE, , FOR FX28-38-48 ONLY
2	84036282	1	CONNECTOR, HYD., , FOR FX28-38-48 ONLY
3	84035745	1	PROFILE,
4	514920	1	CLAMP, {PP:80514920}
5	396718	1	STRAP, {PP:80396718}
6	412559	2	SCREW, {PP:80412559} Hex, M6 x 50, 8.8, Full Thd, M6x50
7	9706755	AR	NUT, {PP:89706755} M6, CI 8, M6
8	140040	5	WASHER, {PP:80140040} M6 x 22 x 2,
9	9513271	1	CLAMP, {PP:89513271} 1"
10	322357	5	WASHER, LOCK, {PP:80322357} Belleville, M6, Belleville, M6
11	455556	1	CLAMP, {PP:80455556} 1-1/4"
12	9811333	2	TUBE, RIGID, {PP:89811333}
13	9507672	1	CONNECTION, 3 WAY, {PP:89507672}
14	457573	1	ELBOW, {PP:80457573}
15	412527	AR	NUT, {PP:80412527}
16	412528	AR	FERRULE, {PP:80412528}

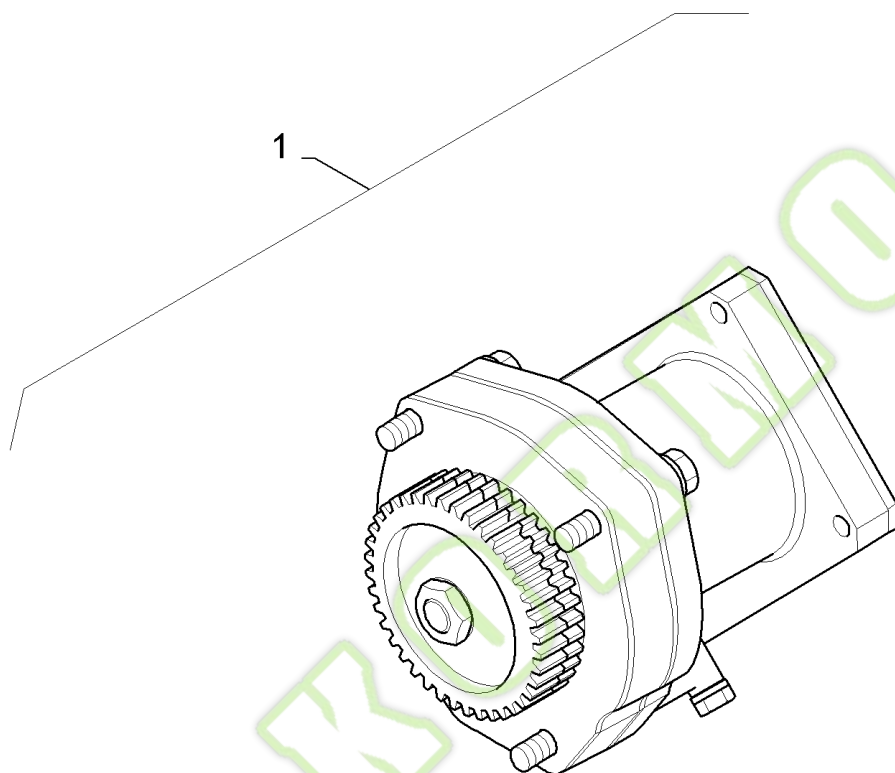
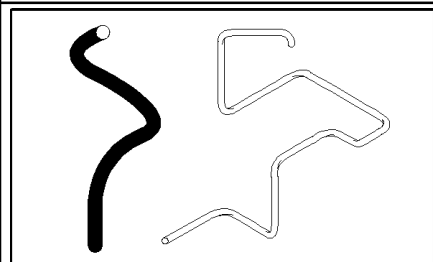


Ref	Part Number	Qty	Description
1	412528	AR	FERRULE, {PP:80412528} 28MM
2	412527	AR	NUT, {PP:80412527} M28
4	514920	1	CLAMP, {PP:80514920}
5	396718	1	STRAP, {PP:80396718}
6	412559	2	SCREW, {PP:80412559} Hex, M6 x 50, 8.8, Full Thd, M6x50
7	9706755	AR	NUT, {PP:89706755} M6, CI 8, M6
8	140040	5	WASHER, {PP:80140040} M6 x 22 x 2,
9	9513271	1	CLAMP, {PP:89513271} 1"
10	322357	5	WASHER, LOCK, {PP:80322357} Belleville, M6, Belleville, M6
11	455556	1	CLAMP, {PP:80455556} 1-1/4"
12	9811333	2	TUBE, RIGID, {PP:89811333} 28MM, 2M
13	9507672	1	CONNECTION, 3 WAY, {PP:89507672}
14	457573	1	ELBOW, {PP:80457573}
15	457544	1	CONNECTOR, HYD., {PP:80457544}

WWW.KORMO.BY



Ref	Part Number	Qty	Description
	84058399	1	BLOCK, CONNECTING, (1 to 17)
1	8022648	1	HOUSING, BEARING,
2	11903111	1	PLUG,
3	4858606	1	GASKET,
4	8108862	1	SHAFT,
5	20705250	1	BEARING ASSY,
6	61586410	1	SPACER,
7	61586411	1	BUSHING,
8	26798470	1	BEARING ASSY,
9	16867176	1	RING, LOCKING,
10	11061576	1	RING, LOCKING,
11	89837227	2	NUT, M10x1.25
12	99445563	2	GASKET,
13	8022650	1	BEARING, CAMSHAFT,
14	98424645	1	GEAR,
15	4709364	1	WASHER,
16	99471892	1	NUT,
17	8009914	1	GASKET,



WWW.KORMO.BY

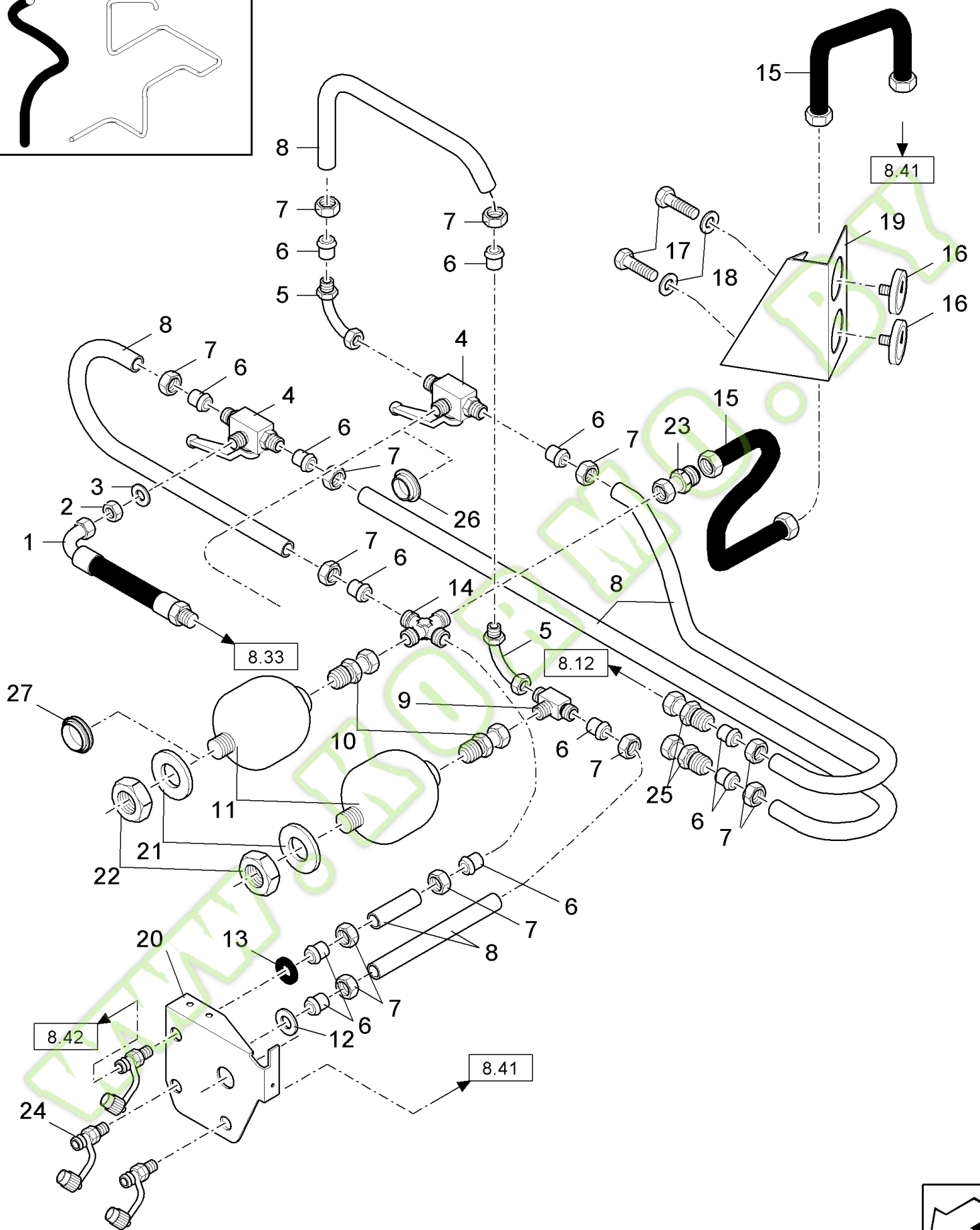
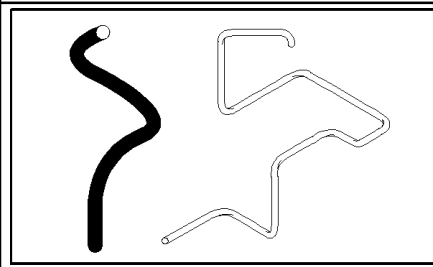


Ref	Part Number	Qty	Description
1	84440785	1	BLOCK, CONNECTING,

WWW.KORMO.BY



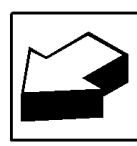
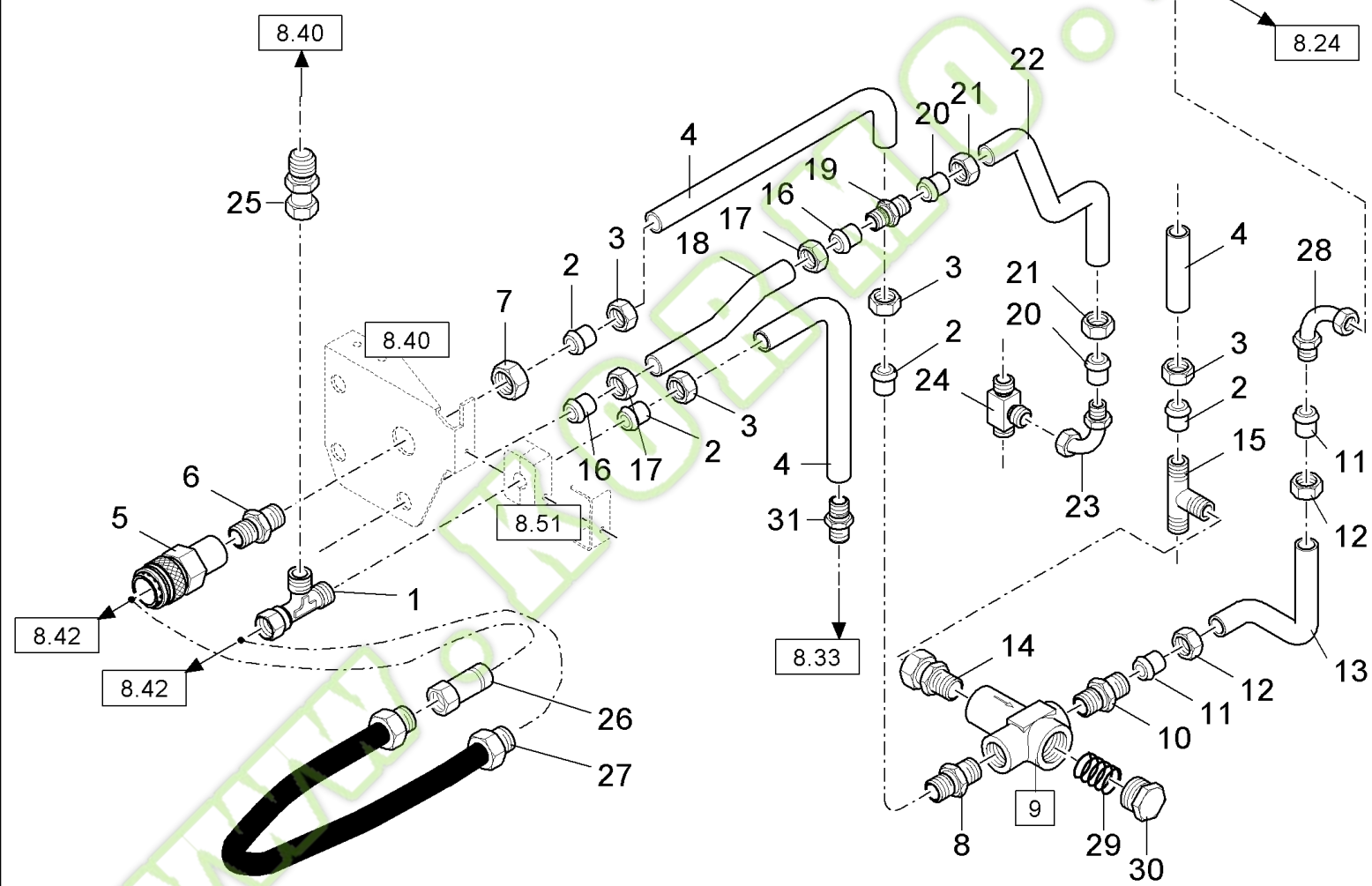
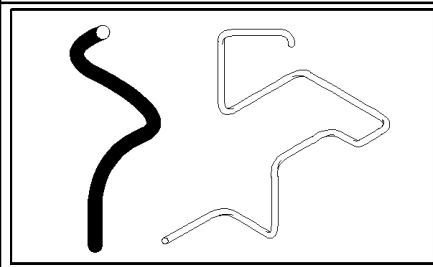
08.40(01) CROP PRO PLUS TM, HYDRAULICS ON BASE MACHINE FOR CYLINDER



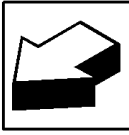
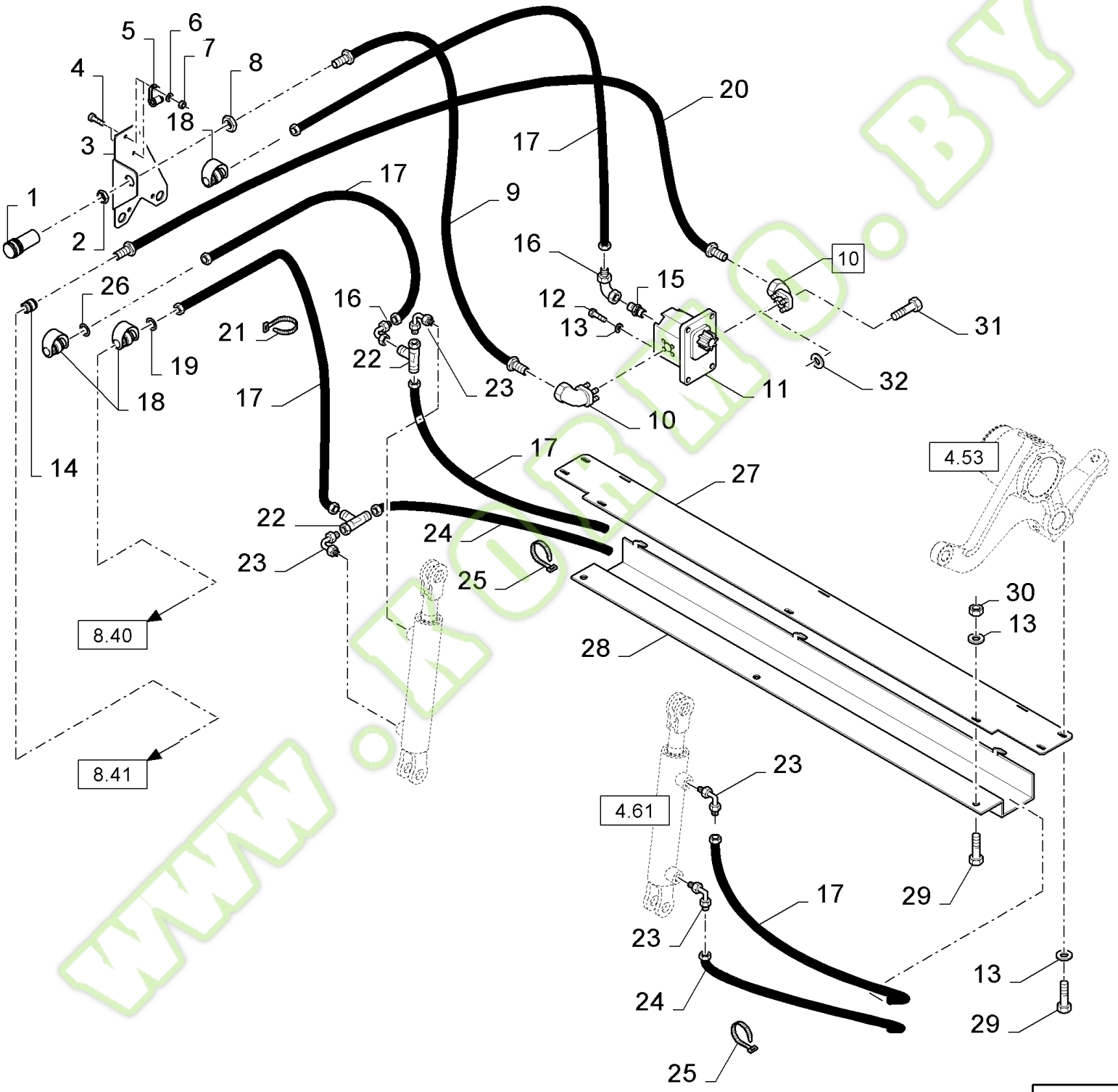
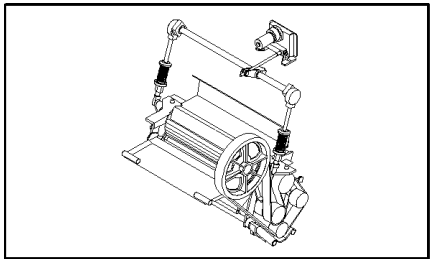
## FX48 SELF-PROPELLED FORAGE HARVESTER (9/98- )

## 08.40(01) CROP PRO PLUS TM, HYDRAULICS ON BASE MACHINE FOR CYLINDER

Ref	Part Number	Qty	Description
1	84989983	2	HOSE, FLEXIBLE,
2	100065	2	NUT, {PP:80100065} M12 x 1.5, CI 8, M14
3	140020	2	WASHER, {PP:80140020} M16 x 30 x 3, 16MM
4	84100885	2	DRAINCOCK/TAP, SUPPLY,
5	418283	2	ELBOW, {PP:80418283}
6	335136	AR	FERRULE, {PP:80335136} 8MM
7	335135	AR	NUT, {PP:80335135} M8
8	371540	AR	TUBE, RIGID, {PP:80371540} D=8MM,L=2M
9	379430	1	CONNECTION, 3 WAY, {PP:80379430}
10	84431510	2	CONNECTOR, HYD.,
11	84018412	2	ACCUMULATOR,
12	747811	1	WASHER, {PP:80747811} White, 15MM
13	747812	1	WASHER, {PP:80747812} Black, 15MM
14	84069072	1	CONNECTOR, HYD.,
15	84100169	2	HOSE, FLEXIBLE,
16	9513115	2	INSTRUMENT, MEASURING, {PP:89513115}
17	86508568	2	SCREW, Hex, M6 x 16, 8.8, M6x16
18	322357	2	WASHER, LOCK, {PP:80322357} Belleville, M6, Belleville, M6
19	84431490	1	SUPPORT,
20	84431450	1	SUPPORT,
21	140110	2	WASHER, {PP:80140110} 31MM
22	308823	2	NUT, {PP:80308823} M28 x 1.5, CI 8, M24
23	84431481	1	CONNECTOR, HYD.,
24	456017	3	COUPLING, QUICK, MALE, {PP:80456017}
25	84077636	2	CONNECTOR, HYD.,
26	84431133	2	PLUG, , ASN D174
27	84431134	2	, ASN D174



Ref	Part Number	Qty	Description
1	84042903	1	CONNECTOR, HYD.,
2	335169	AR	FERRULE, {PP:80335169} 16MM
3	335171	AR	NUT, {PP:80335171} M16
4	371536	AR	TUBE, RIGID, {PP:80371536} D=16MM,L=2M
5	772731	1	COUPLING, QUICK, FEMALE, {PP:80772731}
6	9513143	1	CONNECTOR, HYD., {PP:89513143}
7	100033	1	NUT, {PP:80100033} Thin, M24 x 1.5, CI 04, M24
8	394372	1	CONNECTOR, HYD., {PP:80394372}
9	9513728	1	VALVE, PRESSURE RELIEF, {PP:89513728} (29,30)
10	394373	1	CONNECTOR, HYD., {PP:80394373}
11	335168	AR	FERRULE, {PP:80335168} 18MM
12	335170	AR	NUT, {PP:80335170} M18
13	371534	AR	TUBE, RIGID, {PP:80371534} D=18MM,L=2M
14	84000316	1	CONNECTOR, HYD.,
15	444325	1	CONNECTION, 3 WAY, {PP:80444325}
16	335136	AR	FERRULE, {PP:80335136} 8MM
17	335135	AR	NUT, {PP:80335135} M8
18	371540	AR	TUBE, RIGID, {PP:80371540} D=8MM,L=2M
19	9509282	1	CONNECTOR, HYD., {PP:89509282}
20	150014	AR	FERRULE, {PP:80150014} 10MM
21	86548975	AR	NUT, M10
22	371539	AR	TUBE, RIGID, {PP:80371539} D=10MM,L=2M
23	418284	1	ELBOW, {PP:80418284}
24	395472	1	CONNECTION, 3 WAY, {PP:80395472}
25	84431521	1	CONNECTOR, HYD.,
26	86544945	1	COUPLING, QUICK, MALE, , FOR DISCONNECTED CROP PROCESSOR
27	84431525	1	HOSE, FLEXIBLE, , FOR DISCONNECTED CROP PROCESSOR
28	447770	1	CONNECTOR, HYD., {PP:80447770} , FOR DISCONNECTED CROP PROCESSOR
29	9813875	1	SPRING, {PP:89813875}
30	417006	1	PLUG, {PP:80417006}
31	394372	2	CONNECTOR, HYD., {PP:80394372}

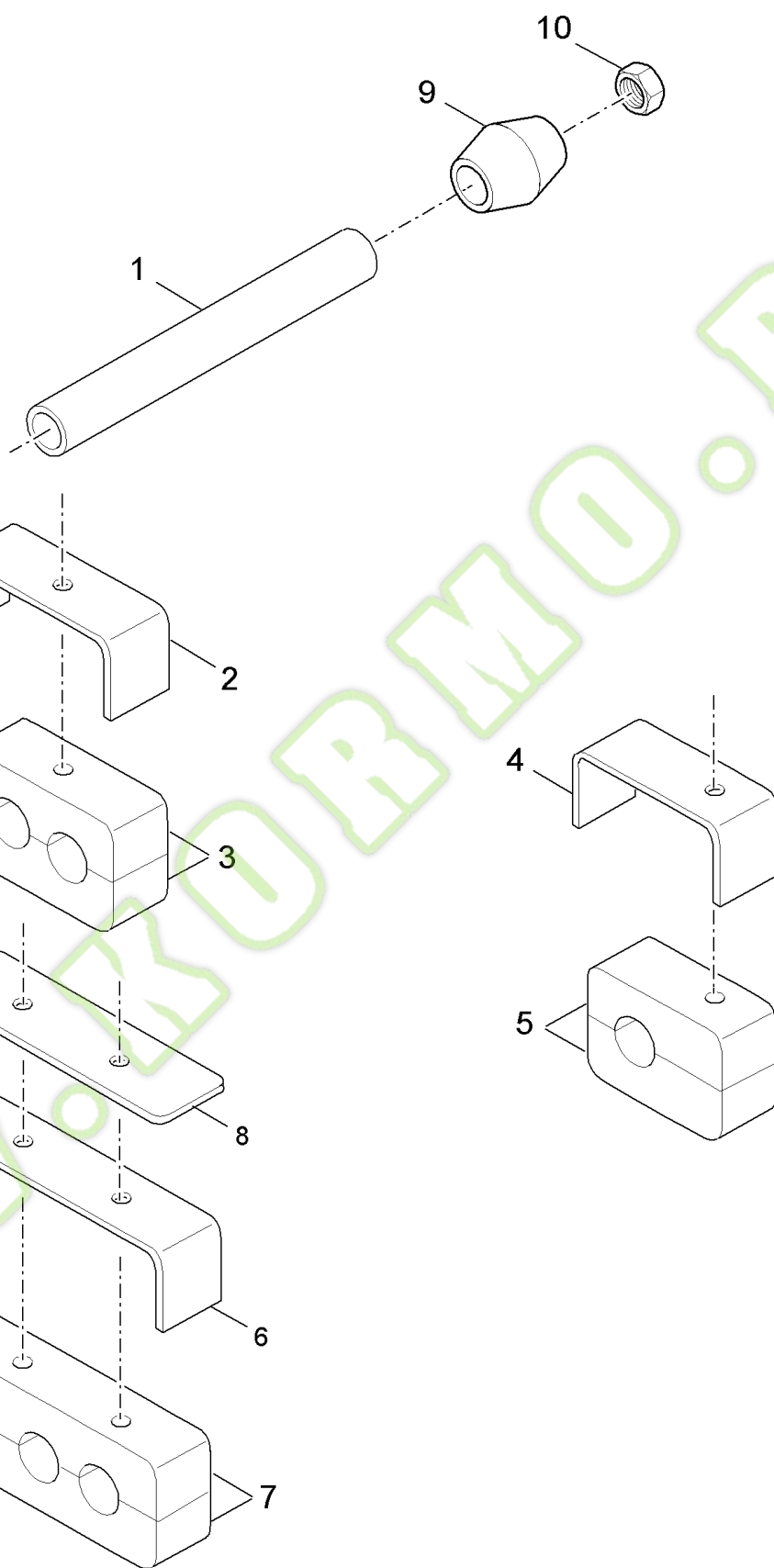
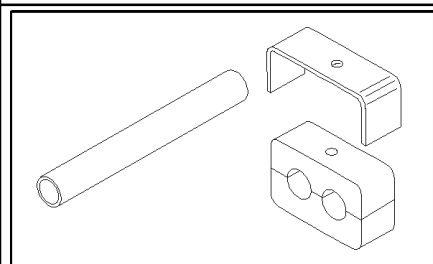


## FX48 SELF-PROPELLED FORAGE HARVESTER (9/98- )

## 08.42(01) CROP PRO PLUS TM, HYDRAULICS

Ref	Part Number	Qty	Description
1	772731	1	COUPLING, QUICK, FEMALE, {PP:80772731}
2	9513143	1	CONNECTOR, HYD., {PP:89513143}
3	84431461	1	SUPPORT,
4	43117	2	SCREW, {PP:80043117} Hex, M6 x 30, 8.8, M6x30
5	418407	2	CLAMP, {PP:80418407}
6	322357	AR	WASHER, LOCK, {PP:80322357} Belleville, M6, Belleville, M6
7	9706755	2	NUT, {PP:89706755} M6, CI 8, M6
8	100033	1	NUT, {PP:80100033} Thin, M24 x 1.5, CI 04,
9	84431293	1	HOSE, FLEXIBLE,
10	84068714	2	CONNECTOR, HYD.,
11	84074003	1	MOTOR, HYDRAULIC,
12	43127	4	BOLT, {PP:80043127} Hex, M8 x 25, 8.8, Cap, HH, CL 8.8, M8 x 1.25 x 25
13	322358	AR	WASHER, LOCK, {PP:80322358} Belleville, M8, 8MM
14	86544945	1	COUPLING, QUICK, MALE,
15	84037257	1	CONNECTOR, HYD.,
16	418283	2	ELBOW, {PP:80418283}
17	84431386	4	HOSE, FLEXIBLE,
18	456012	3	COUPLING, QUICK, MALE, {PP:80456012}
19	747811	1	WASHER, {PP:80747811}
20	84071242	1	HOSE, FLEXIBLE,
21	396718	3	STRAP, {PP:80396718}
22	84064562	2	CONNECTOR, HYD.,
23	84018535	4	ELBOW,
24	84431376	1	HOSE, FLEXIBLE,
25	80322597	4	STRAP,
26	747812	1	WASHER, {PP:80747812}
27	84433268	1	PLATE, , BSN C185
27	84435732	1	PLATE, , ASN D186
28	84433267	1	SUPPORT, , BSN C185
28	84435728	1	SUPPORT, , ASN D186
30	89706690	AR	NUT, CL 8, M8 x 1.25 x 13.0
31	86512135	8	SCREW, Hex Soc Hd, M6 x 20, 12.9, M6x20
32	140026	8	WASHER, {PP:80140026} M6, 6MM
29	16043224	AR	SCREW, Hex, M8 x 16, 8.8, Full Thd, M8x16

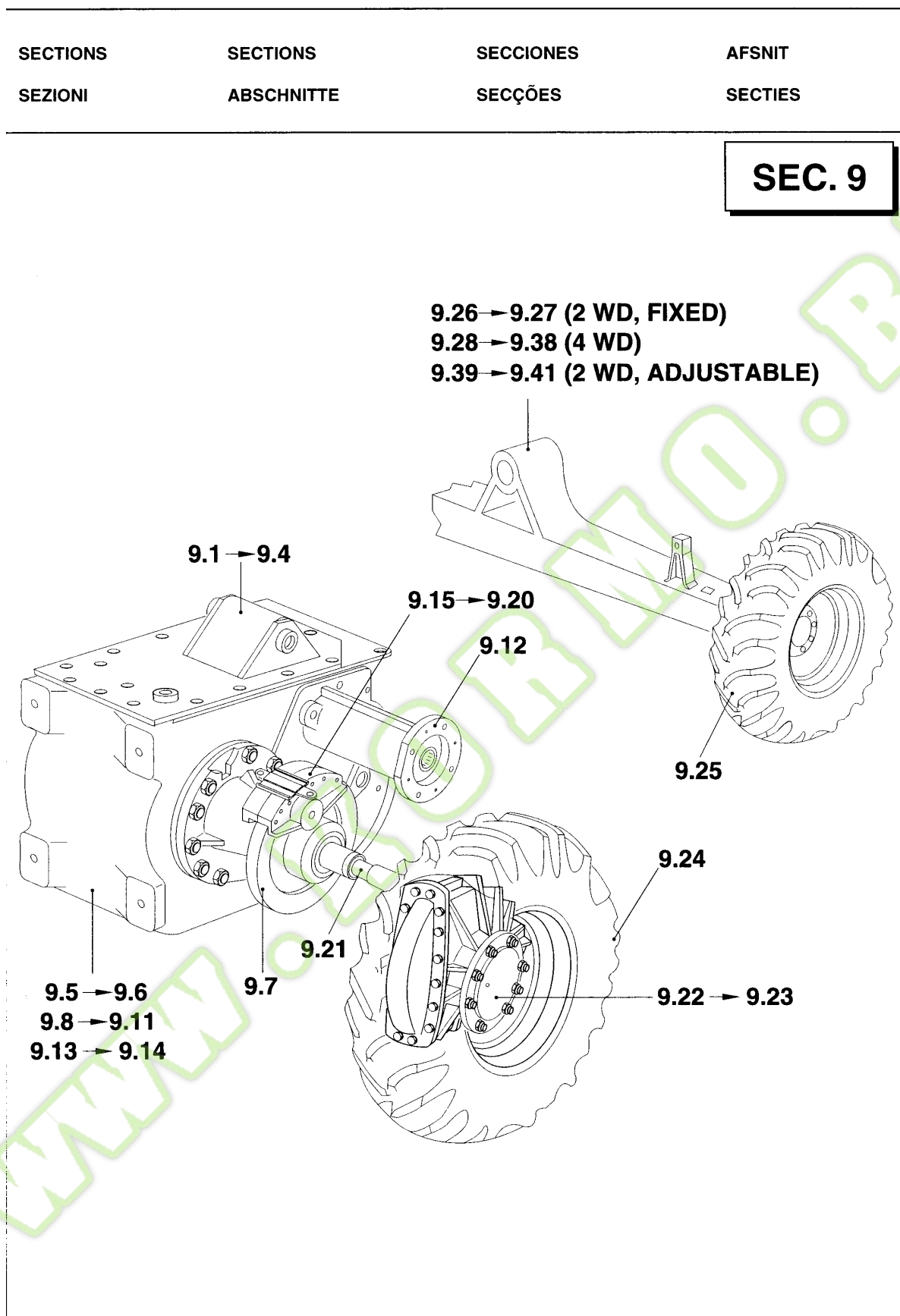
08.51(01) TUBE CLAMPS AND HYDRAULIC TUBES



## 08.51(01) TUBE CLAMPS AND HYDRAULIC TUBES

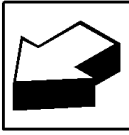
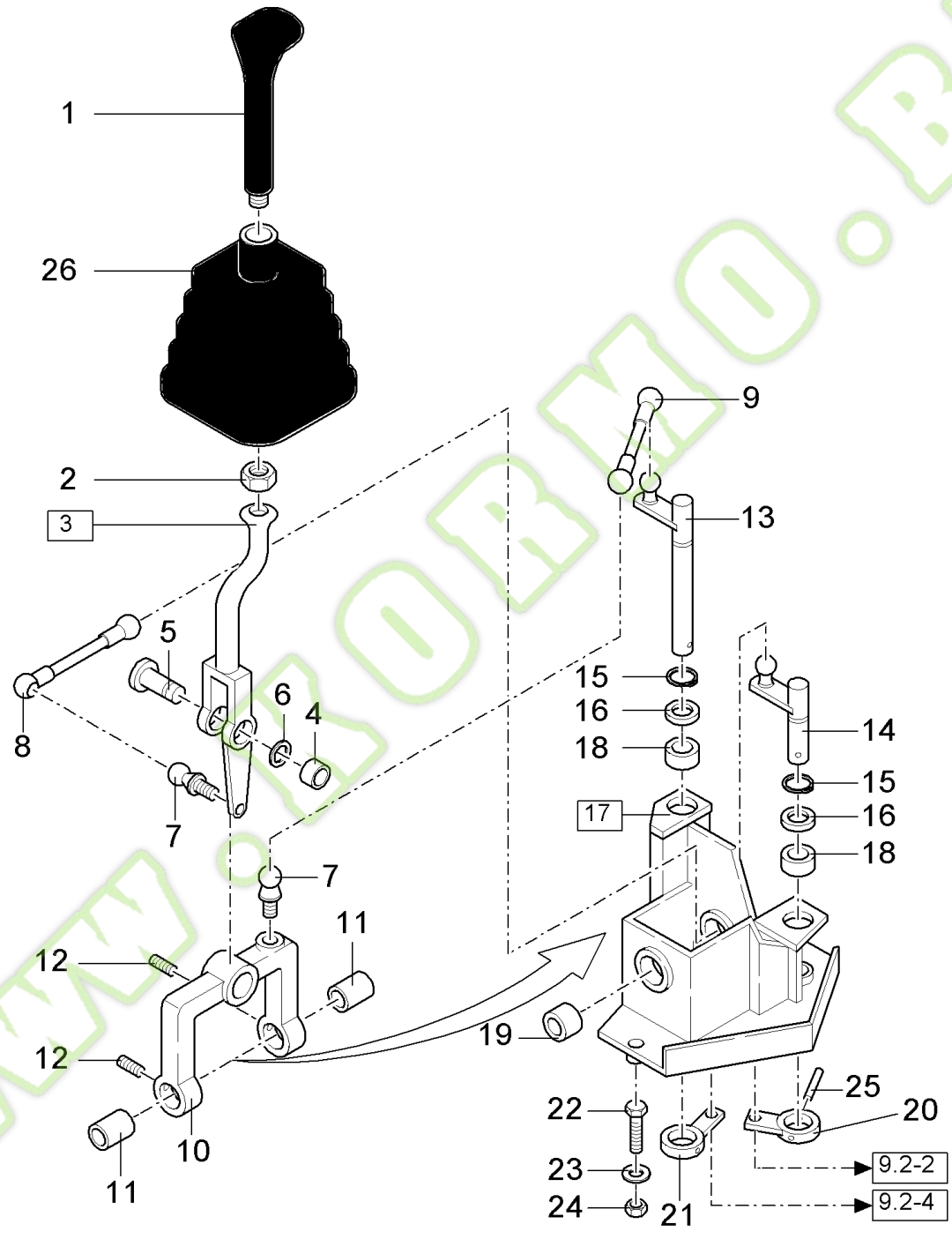
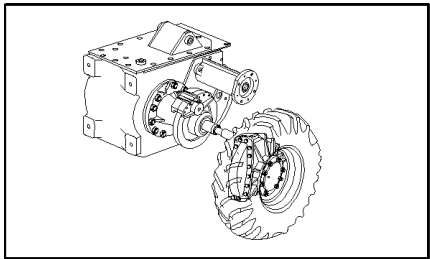
Ref	Part Number	Qty	Description
1	371540	AR	TUBE, RIGID, {PP:80371540} D=8MM,L=2M
1	371539	AR	TUBE, RIGID, {PP:80371539} D=10MM,L=2M
1	9513719	AR	TUBE, RIGID, {PP:89513719} D=12MMX1.5,L=2M
1	371536	AR	TUBE, RIGID, {PP:80371536} D=16MM,L=2M
1	371534	AR	TUBE, RIGID, {PP:80371534} D=18MM,L=2M
1	9811333	AR	TUBE, RIGID, {PP:89811333} D=28MM,L=2M
1	75931	AR	TUBE, RIGID, {PP:80075931} D=3/8",L=48"
1	75932	AR	TUBE, RIGID, {PP:80075932} D=1/2",L=48"
1	75933	AR	TUBE, RIGID, {PP:80075933} D=5/8",L=48"
1	75934	AR	TUBE, RIGID, {PP:80075934} D=3/4",L=48"
2	431941	AR	SUPPORT, {PP:80431941} 8-12MM
2	431942	AR	SUPPORT, {PP:80431942} Hex Hd, #10-32 x 1/2", 16MM-3/4"
2	743320	AR	SUPPORT, {PP:80743320} 28MM
3	430356	AR	CLAMP, {PP:80430356} 16MM-3/4"
3	430357	AR	CLAMP, {PP:80430357} 8-12MM
3	457547	AR	CLAMP, {PP:80457547} 28MM
4	433100	AR	SUPPORT, {PP:80433100} 16MM-3/4"
4	433101	AR	SUPPORT, {PP:80433101} 8-10MM
4	442340	AR	SUPPORT, {PP:80442340} 12MM
4	743318	AR	SUPPORT, {PP:80743318} 28MM
5	433007	AR	CLAMP, {PP:80433007} 16MM-3/4"
5	433008	AR	CLAMP, {PP:80433008} 8-12MM
5	457546	AR	CLAMP, {PP:80457546} 28MM
6	455533	AR	CLAMP, {PP:80455533}
7	455534	AR	SUPPORT, {PP:80455534}
8	434103	AR	PLATE, {PP:80434103} 20x3
9	150015	AR	FERRULE, {PP:80150015} 12MM
10	86548976	AR	NUT, M12





Ref	Part Number	Qty	Description
<p>WWW.KORMO.BY</p>			

09.01(01) GEARSHIFT CONTROLS

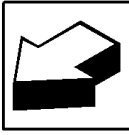
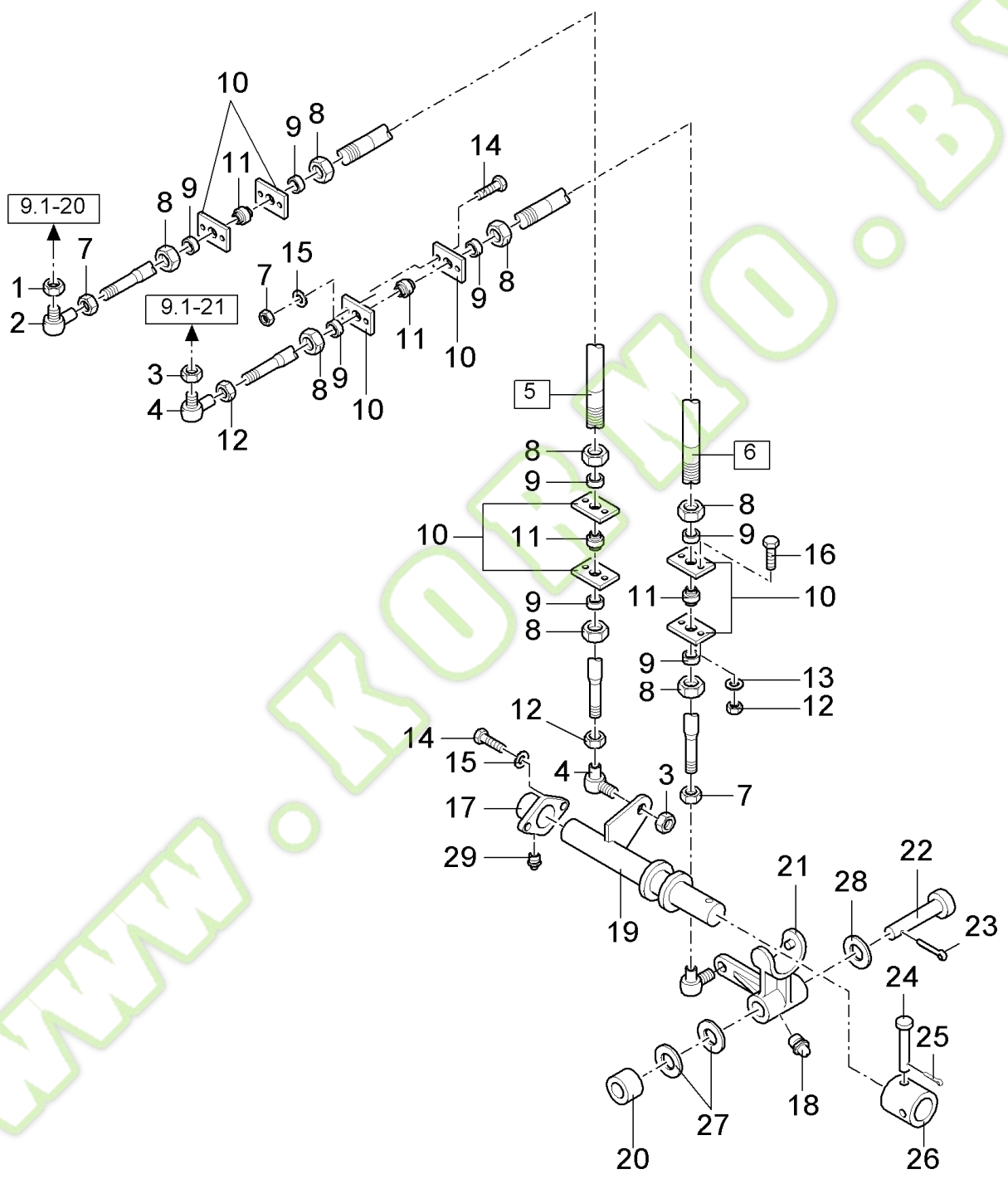
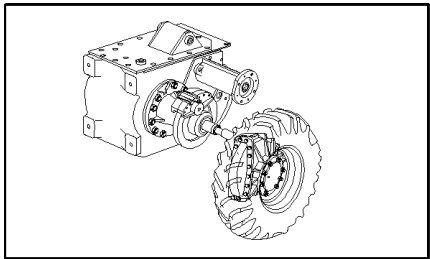


## FX48 SELF-PROPELLED FORAGE HARVESTER (9/98- )

## 09.01(01) GEARSHIFT CONTROLS

Ref	Part Number	Qty	Description
1	445968	1	LEVER, {PP:80445968}
2	379752	1	NUT, {PP:80379752} M12 x 1.25", CI 10, M12
3	9819631	1	LEVER, {PP:89819631} (4)
4	420761	2	BUSHING, {PP:80420761}
5	9831112	1	PIN, {PP:89831112}
6	370024	1	RING, SNAP, {PP:80370024}
7	9831211	2	JOINT, UNIVERSAL, {PP:89831211}
8	9831206	1	ROD, ADJUSTMENT, {PP:89831206}
9	9831207	1	ROD, ADJUSTMENT, {PP:89831207}
10	9819650	1	LEVER, {PP:89819650}
11	9831111	2	BUSHING, {PP:89831111}
12	300480	2	SCREW, {PP:80300480} Hex Soc, M10 x 12, Cup Pt, M10x12
13	9831096	1	SHAFT, {PP:89831096}
14	84007010	1	PIN,
15	80370002	2	CIRCLIP,
16	140022	2	WASHER, {PP:80140022} M24 x 44 x 4, 24MM
17	84001390	1	SUPPORT, (18,19)
18	382975	4	BUSHING, {PP:80382975}
19	9505633	2	BUSHING, {PP:89505633}
20	84007008	1	LEVER,
21	84007012	1	LEVER,
22	120059	4	SCREW, {PP:80120059} Hex, M8 x 40, 8.8, Hex, M8 x 40, 8.8
23	322358	4	WASHER, LOCK, {PP:80322358} Belleville, M8, 8MM
24	100015	4	NUT, {PP:80100015} M8, CI 8, M8
25	300869	2	PIN, {PP:80300869} M6 x 40, Slotted, M6 x 40, Slotted
26	9819436	1	BELLOWS, {PP:89819436}

09.02(01) GEARSHIFT CONTROLS

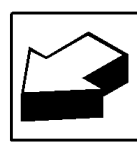
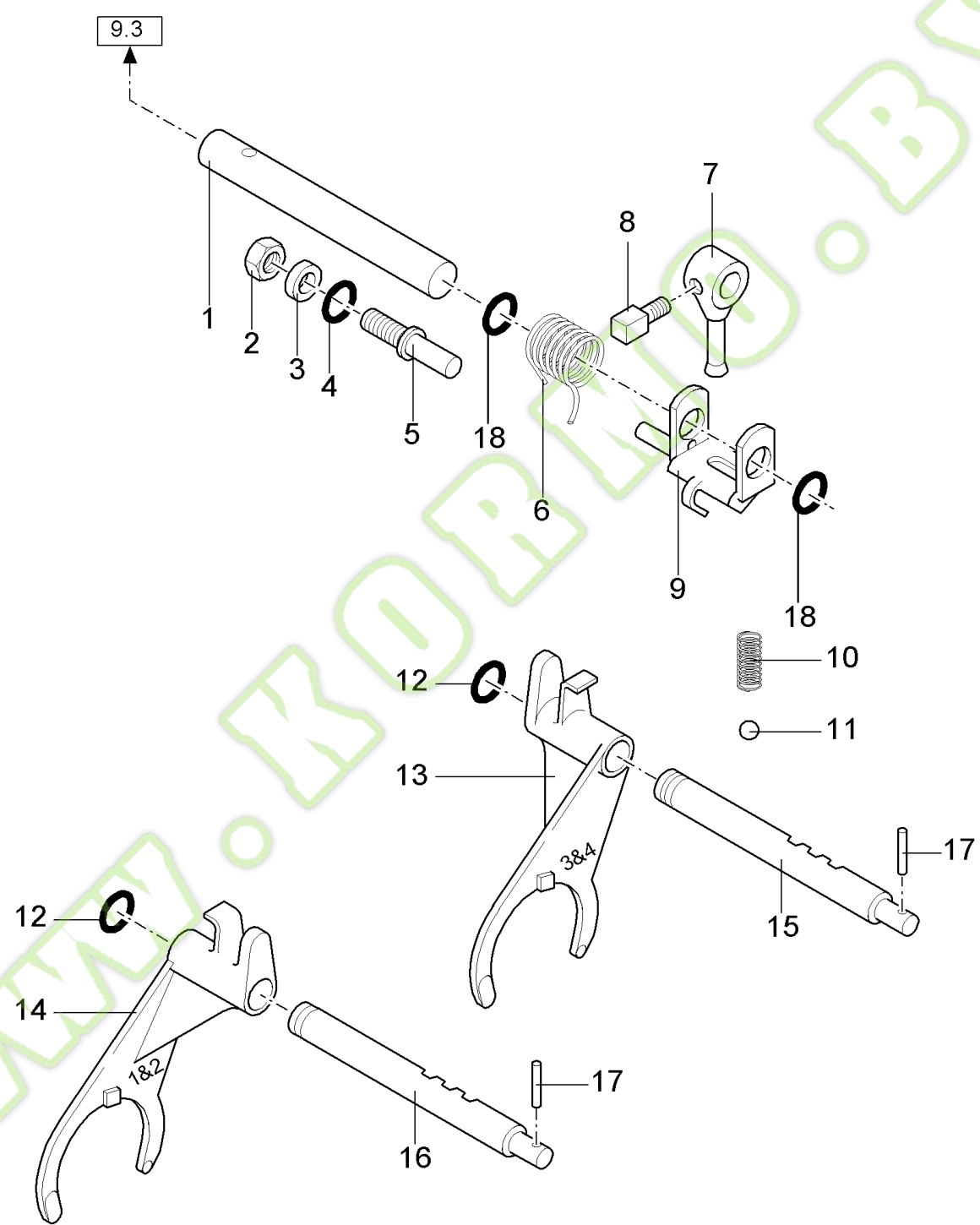
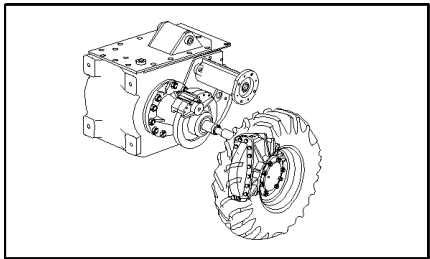


## FX48 SELF-PROPELLED FORAGE HARVESTER (9/98- )

## 09.02(01) GEARSHIFT CONTROLS

Ref	Part Number	Qty	Description
1	100067	1	NUT, {PP:80100067} M8 x 1.25", CI 8, M8
2	84021042	2	BALL JOINT, , BSN C181
2	412439	2	BALL JOINT, {PP:80412439} , ASN D182
3	353308	2	NUT, {PP:80353308} M6 x 1, CI 8, M6
4	84021043	2	BALL JOINT,
5	89837076	1	CABLE, (8 to 12)
6	89837077	1	CABLE, (7 to 11)
7	100015	4	NUT, {PP:80100015} M8, CI 8, M8
8	379752	8	NUT, {PP:80379752} M12 x 1.25", CI 10, M12x1.25
9	750159	8	RING, {PP:80750159}
10	9508941	8	PLATE, {PP:89508941}
11	750158	4	BALL JOINT, {PP:80750158}
12	9706755	10	NUT, {PP:89706755} M6, CI 8, M6
13	322357	8	WASHER, LOCK, {PP:80322357} Belleville, M6, Belleville, M6
14	43128	4	SCREW, {PP:80043128} Hex, M8 x 30, 8.8, Cap, HH, CL 8.8, M8 x 1.25 x 30
15	322358	4	WASHER, LOCK, {PP:80322358} Belleville, M8, 8MM
16	86977786	8	BOLT, Hex, M6 x 25, 8.8, M6x20
17	445728	1	FLANGE, {PP:80445728}
18	321204	1	NIPPLE, LUBE, {PP:80321204}
19	89837041	1	SPINDLE,
20	325595	1	SPACER, {PP:80325595}
21	89835223	1	LEVER,
22	84021067	1	PIN,
23	130012	1	PIN, SPLIT (COTTER), {PP:80130012} M5 x 50,
24	353216	2	PIN, {PP:80353216}
25	9512667	2	PIN, SPLIT (COTTER), {PP:89512667} M6.3 x 40,
26	9832366	1	BUSHING, {PP:89832366}
27	443434	AR	WASHER, {PP:80443434}
28	80140096	AR	WASHER,
29	321204	1	NIPPLE, LUBE, {PP:80321204} , BSN C127
29	323787	1	NIPPLE, LUBE, {PP:80323787} , ASN D128

09.03(01) GEARBOX



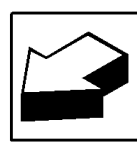
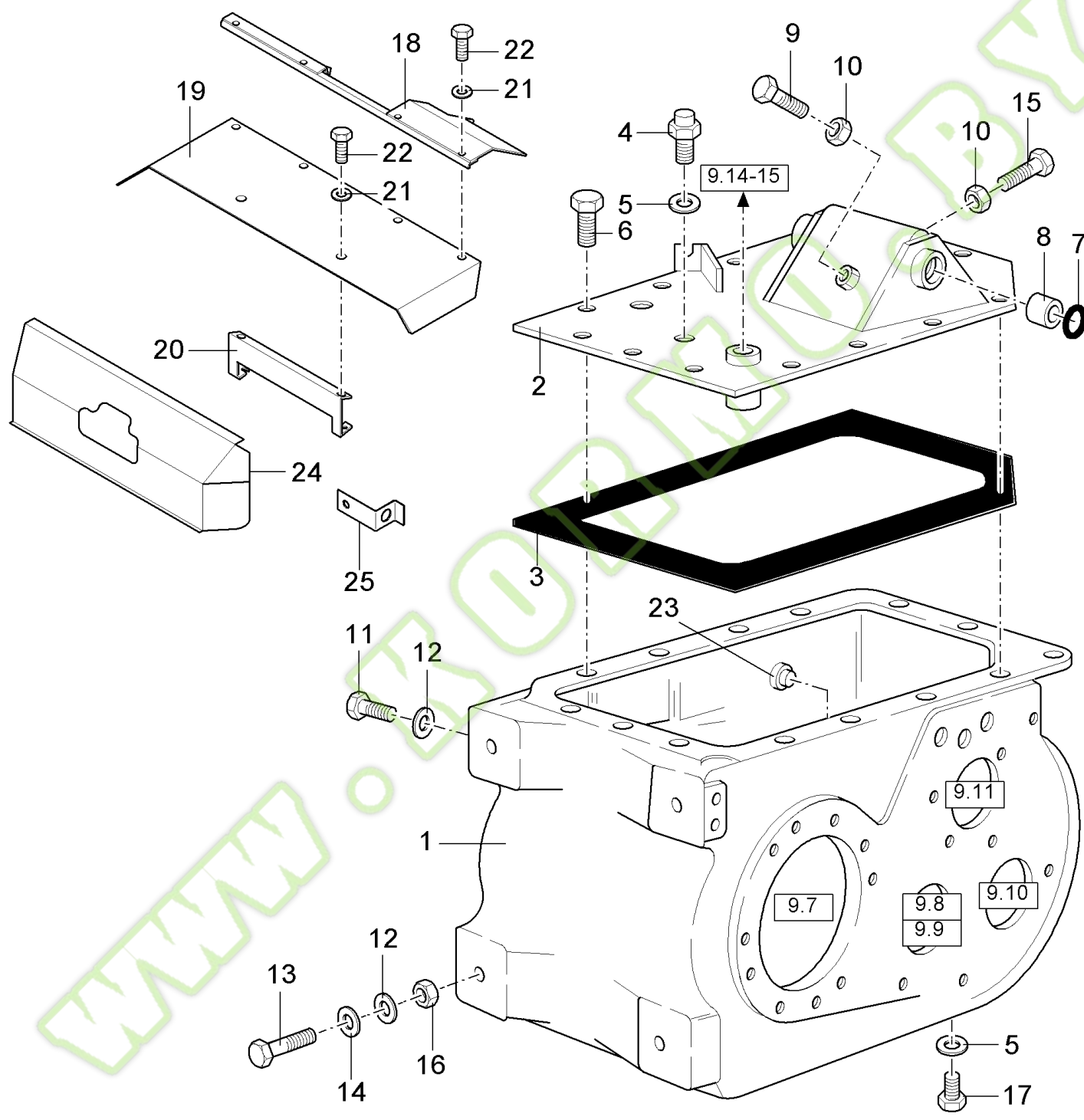
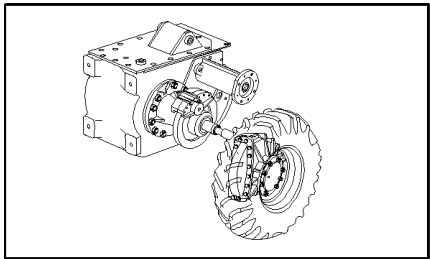
## FX48 SELF-PROPELLED FORAGE HARVESTER (9/98- )

## 09.03(01) GEARBOX

Ref	Part Number	Qty	Description
1	9814644	1	SHAFT, {PP:89814644}
2	43442	1	NUT, {PP:80043442} M8 x 1.25", CI 8, M8
3	9812123	1	BUSHING, {PP:89812123}
4	220085	1	O-RING, {PP:80220085}
5	84004167	1	PIN,
6	84005379	1	SPRING,
7	9831136	1	LEVER, {PP:89831136}
8	120151	1	SCREW, {PP:80120151} M10x18
9	9831133	1	HINGE, {PP:89831133}
10	9833067	2	SPRING, {PP:89833067}
11	210006	2	BALL, {PP:80210006}
12	129979	2	O-RING, {PP:80129979} -115, 70 Duro, .674" ID x .103" Thk,
13	84031890	1	YOKE,
14	421477	1	FORK, {PP:80421477}
15	440784	1	SHAFT, {PP:80440784}
16	436422	1	SHAFT, {PP:80436422}
17	300872	2	PIN, ROLL, {PP:80300872} M8 x 36, Slotted,
18	27286	2	O-RING, {PP:80027286} -214, 70 Duro, .984" ID x .139" Thk,



09.04(01) GEARBOX

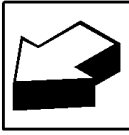
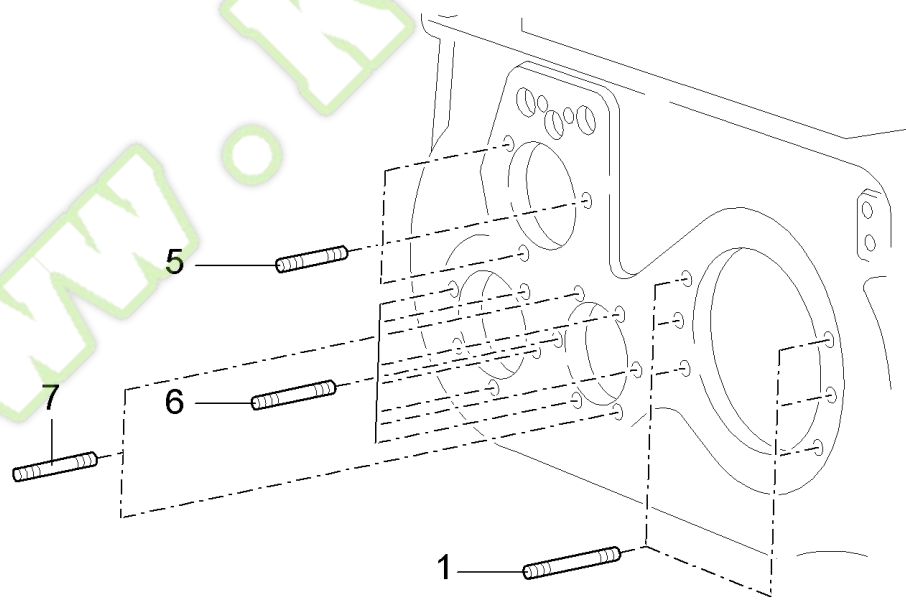
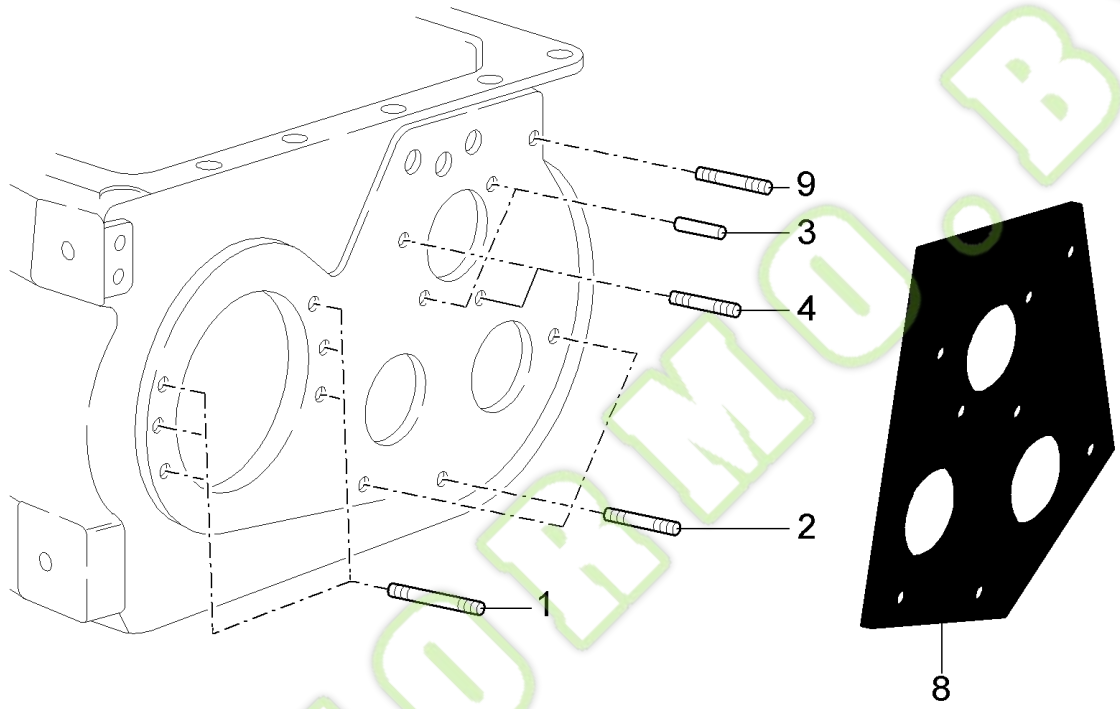
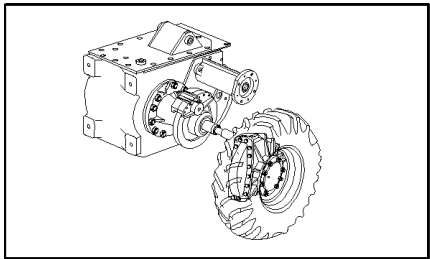


## FX48 SELF-PROPELLED FORAGE HARVESTER (9/98- )

## 09.04(01) GEARBOX

Ref	Part Number	Qty	Description
1	84031891	1	HOUSING, , BSN C127
1	84056228	1	HOUSING, , ASN D128
2	84015354	1	COVER,
3	430783	1	GASKET, {PP:80430783}
4	398136	1	BREATHER, {PP:80398136}
5	220025	2	GASKET, {PP:80220025}
6	412621	13	SCREW, {PP:80412621} Hex Lock, M10 x 30, 8.8, M10x30
7	27286	2	O-RING, {PP:80027286} -214, 70 Duro, .984" ID x .139" Thk,
8	382975	4	BUSHING, {PP:80382975}
9	120112	2	SCREW, {PP:80120112} Hex, M10 x 40, 8.8, Full Thd, M10x40
10	100016	2	NUT, {PP:80100016} M10, CI 8, M10
11	120090	4	SCREW, {PP:80120090} Hex, M16 x 50, 8.8, Hex, M16 x 50, 8.8
12	394631	6	WASHER, {PP:80394631} 16MM
13	455447	2	BOLT, {PP:80455447}
14	455446	2	WASHER, {PP:80455446}
15	120115	1	SCREW, {PP:80120115} Hex, M10 x 70, 8.8, Full Thd, M10x70
16	100020	2	NUT, {PP:80100020} M16, CI 8, M16, CI 8
17	336897	1	PLUG, {PP:80336897} Magnetic
18	84031940	1	PLATE,
19	84031941	1	PLATE, , BSN C221
19	84438281	1	PLATE, , ASN D222
20	84031937	1	PLATE,
21	322357	6	WASHER, LOCK, {PP:80322357} Belleville, M6, Belleville, M6
22	86508568	6	SCREW, Hex, M6 x 16, 8.8, M6x16
23	390840	1	PLUG, {PP:80390840}
24	84438440	1	PLATE, , ASN D222
25	84438289	1	SUPPORT, , ASN D222

09.05(01) GEARBOX, STUDS



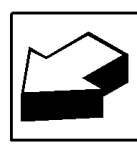
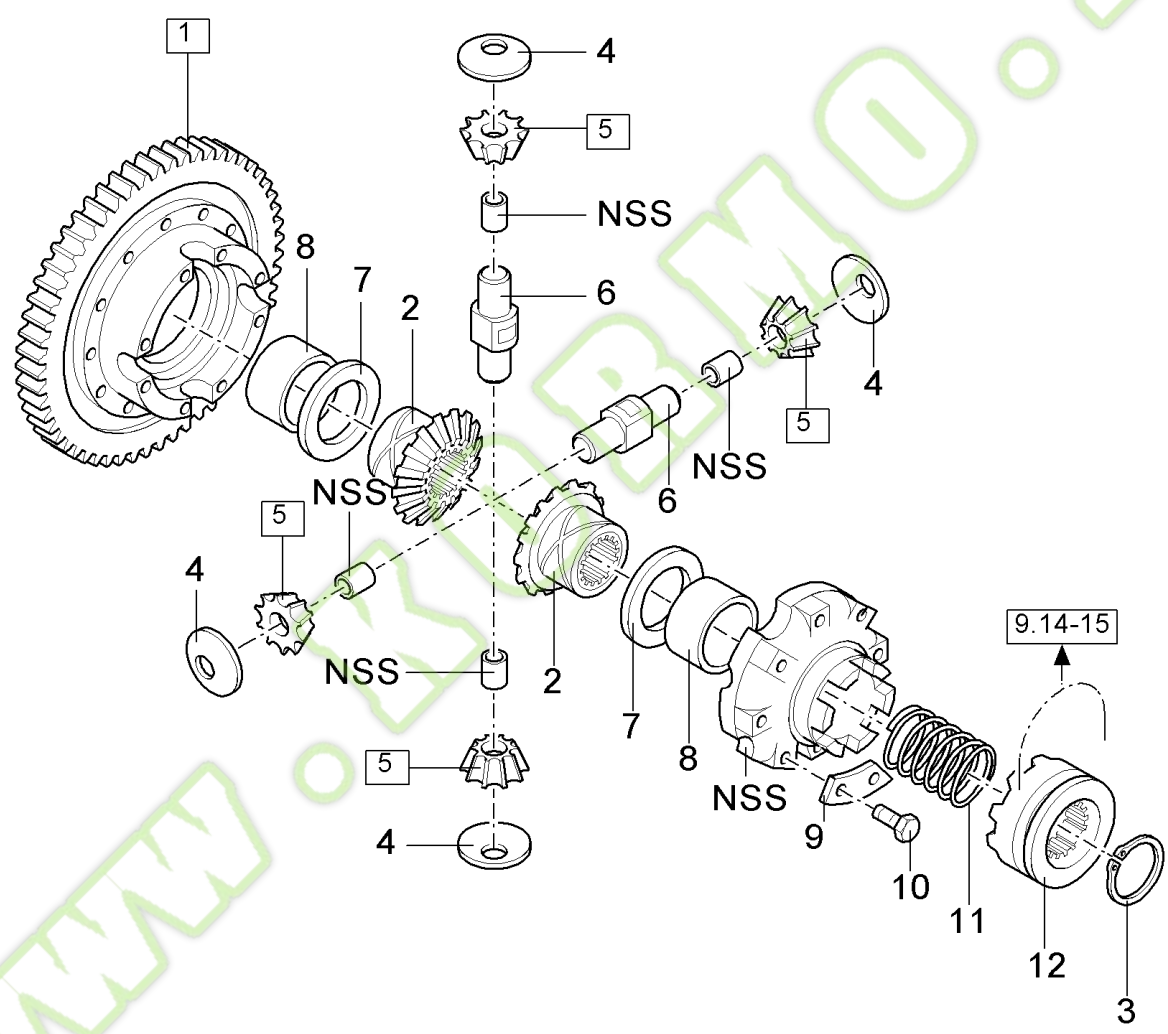
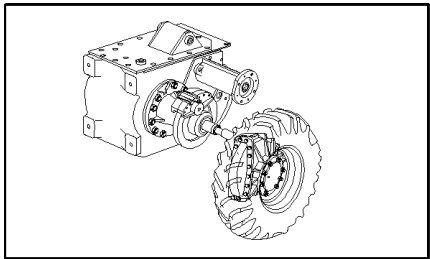
## FX48 SELF-PROPELLED FORAGE HARVESTER (9/98- )

## 09.05(01) GEARBOX, STUDS

Ref	Part Number	Qty	Description
1	9817207	12	STUD, {PP:89817207}
2	321665	3	STUD, {PP:80321665}
3	322423	2	PIN, {PP:80322423}
4	336270	2	STUD, {PP:80336270}
5	110019	3	STUD, {PP:80110019}
6	110020	11	STUD, {PP:80110020}
7	300482	2	STUD, {PP:80300482} Hex Soc, M10 x 20, Cone Pt,
8	456162	1	GASKET, {PP:80456162}
9	350341	1	STUD, {PP:80350341}

WWW.KORMO.BY

09.06(01) DIFFERENTIAL



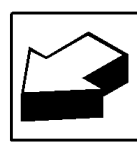
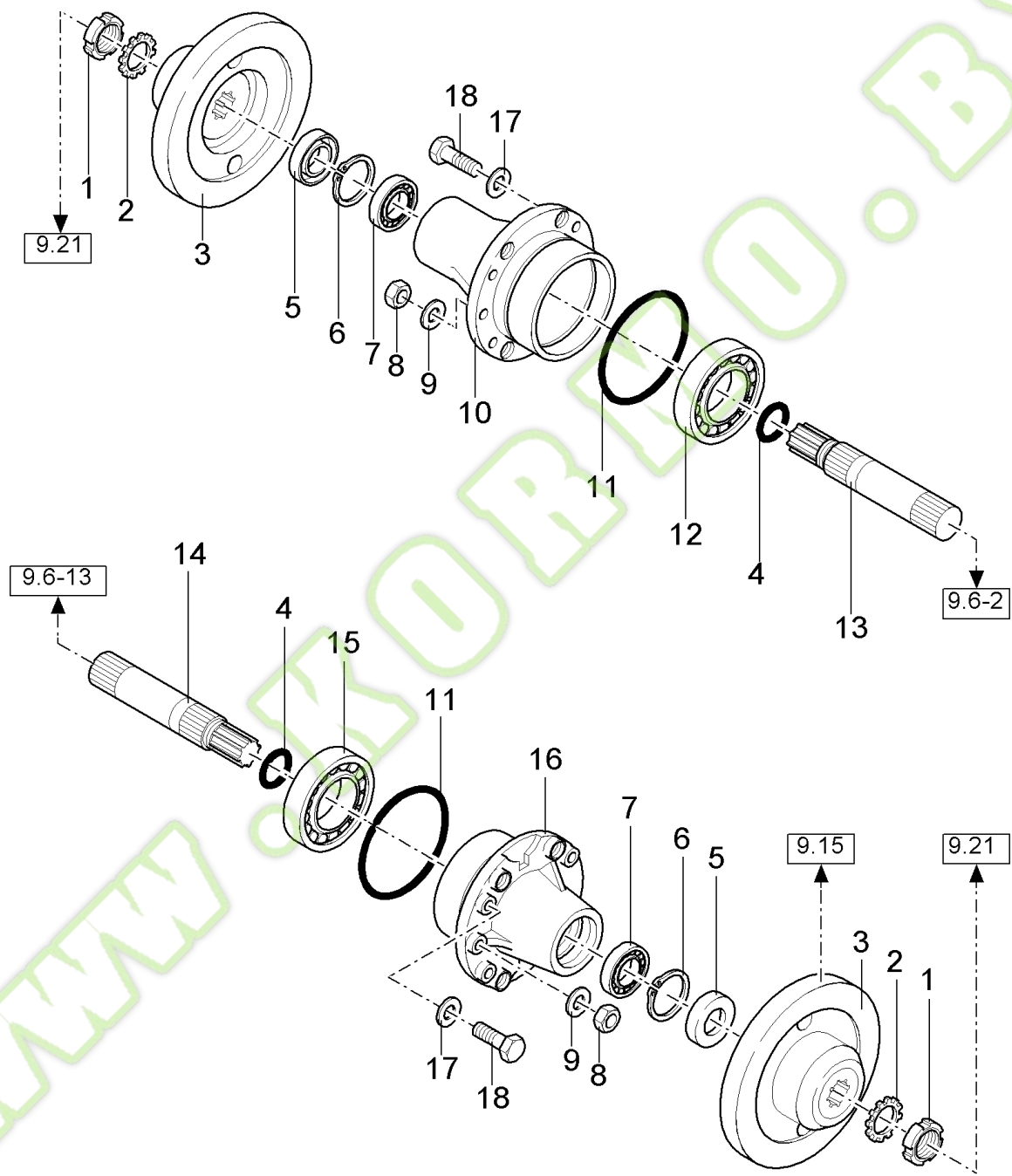
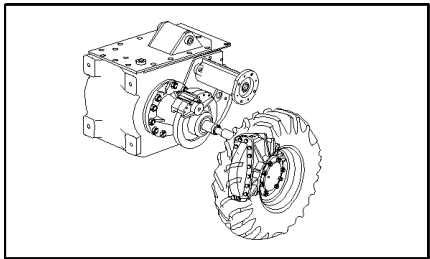
## FX48 SELF-PROPELLED FORAGE HARVESTER (9/98- )

## 09.06(01) DIFFERENTIAL

Ref	Part Number	Qty	Description
1	9850393	1	DIFFERENTIAL, {PP:89850393} (2 to 10), BSN C127
1	84043222	1	DIFFERENTIAL, (2 to 10), ASN D128
2	9514042	2	SPROCKET, DRIVEN, {PP:89514042}
3	327911	1	CIRCLIP, {PP:80327911}
4	210014	4	WASHER, {PP:80210014}
5	9850394	4	GEAR, {PP:89850394} (3)
6	9514041	2	SHAFT, {PP:89514041}
7	210013	2	WASHER, THRUST, {PP:80210013}
8	9514039	2	BUSHING, {PP:89514039}
9	331649	4	PLATE, LOCKING, {PP:80331649}
10	120073	8	SCREW, {PP:80120073} Hex, M10 x 80, 8.8, M10x80
11	455097	1	SPRING, {PP:80455097}
12	455094	1	RING, {PP:80455094}

WWW.KORMO.BY

09.07(01) BRAKE DISCS



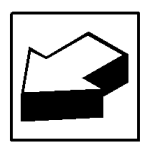
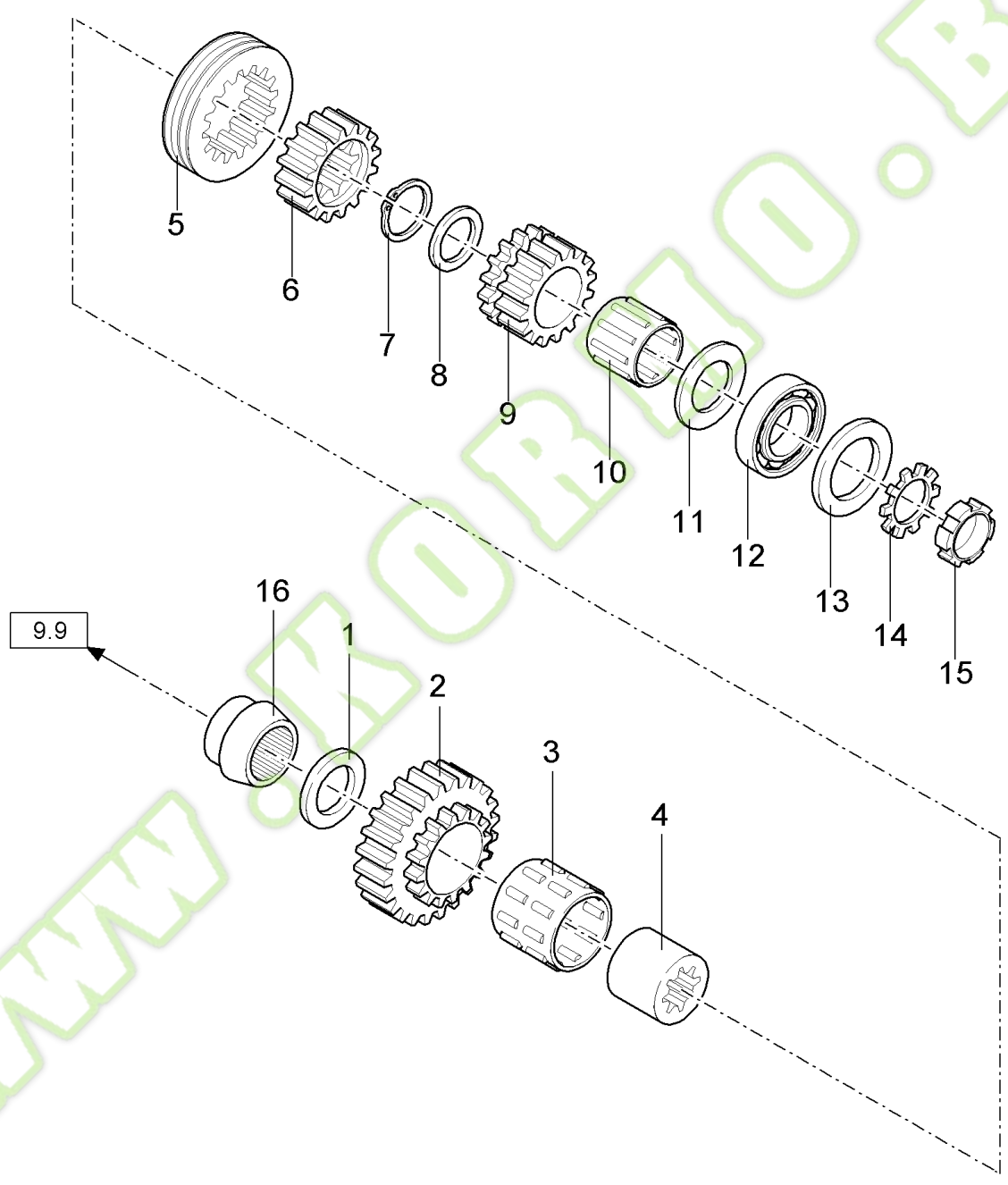
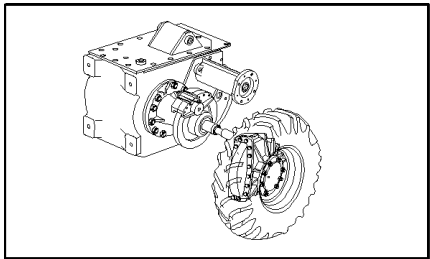
## FX48 SELF-PROPELLED FORAGE HARVESTER (9/98- )

## 09.07(01) BRAKE DISCS

Ref	Part Number	Qty	Description
1	9513020	2	NUT, {PP:89513020} M50x1.5
2	382867	3	WASHER, LOCK, {PP:80382867}
3	9819433	2	BRAKE DISC, {PP:89819433}
4	235782	2	O-RING, {PP:80235782} -224, 90 Duro, 1.734" ID x .139" Thk,
5	84017986	2	ELEMENT, SEALING,
6	80300633	2	RING, SNAP,
7	9814102	2	BEARING ASSY, {PP:89814102}
8	89706685	12	NUT, M12
9	140046	12	WASHER, LOCK, {PP:80140046} Belleville, M12, 12MM
10	9819544	1	FLANGE, {PP:89819544} RH
11	9815655	2	O-RING, {PP:89815655}
12	210046	1	BEARING ASSY, {PP:80210046}
13	9819514	1	SHAFT, {PP:89819514} RH
14	89815650	1	SHAFT, LH
15	418831	1	BEARING ASSY, {PP:80418831}
16	89819448	1	FLANGE, LH
17	322358	4	WASHER, LOCK, {PP:80322358} Belleville, M8, 8MM
18	80300380	4	SCREW, M8x10



09.08(01) GEARS

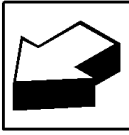
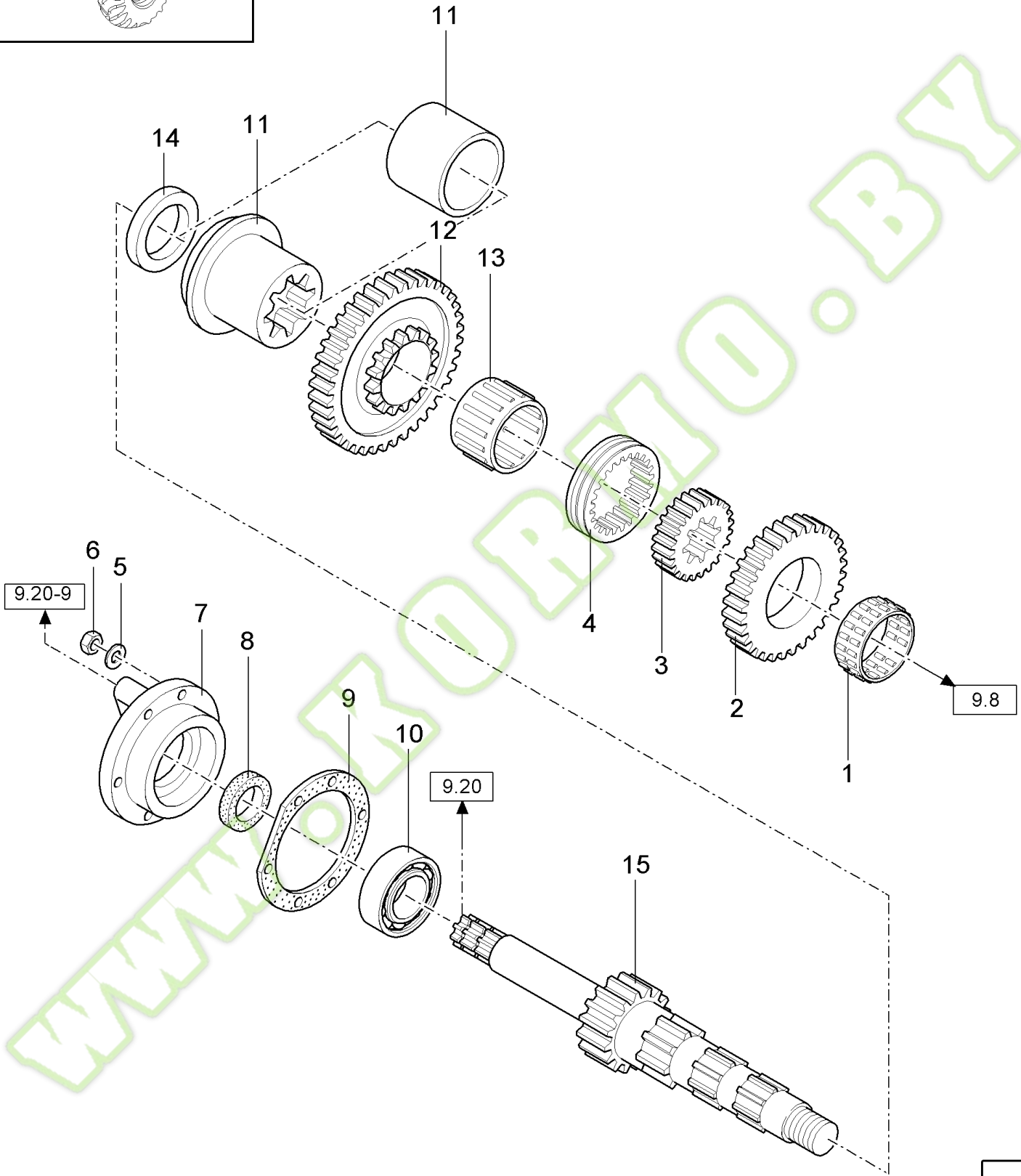
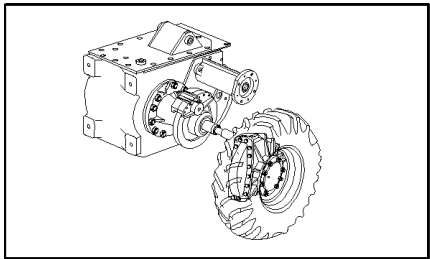


## FX48 SELF-PROPELLED FORAGE HARVESTER (9/98- )

## 09.08(01) GEARS

Ref	Part Number	Qty	Description
1	396117	1	WASHER, {PP:80396117}
2	84021902	1	GEAR,
3	396135	1	BEARING ASSY, {PP:80396135}
4	394028	1	BUSHING, {PP:80394028}
5	9837152	1	SYNCHRONIZER, {PP:89837152}
6	396116	1	COUPLING, SPLINED, {PP:80396116}
7	396138	1	CIRCLIP, {PP:80396138}
8	381827	1	WASHER, {PP:80381827}
9	9837151	1	GEAR, {PP:89837151}
10	394027	1	BEARING ASSY, {PP:80394027}
11	381826	1	WASHER, {PP:80381826}
12	456331	1	BEARING ASSY, {PP:80456331}
13	412608	AR	SHIM, {PP:80412608} THK.:0.2MM
13	412609	AR	SHIM, {PP:80412609} THK.:0.5MM
14	412352	1	PLATE, LOCKING, {PP:80412352}
15	412351	1	NUT, {PP:80412351} M35x1.5
16	9508580	1	SLEEVE, {PP:89508580} , BSN C127
16	84043224	1	SLEEVE, , ASN D128

09.09(01) GEARS

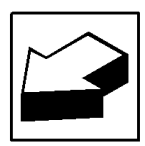
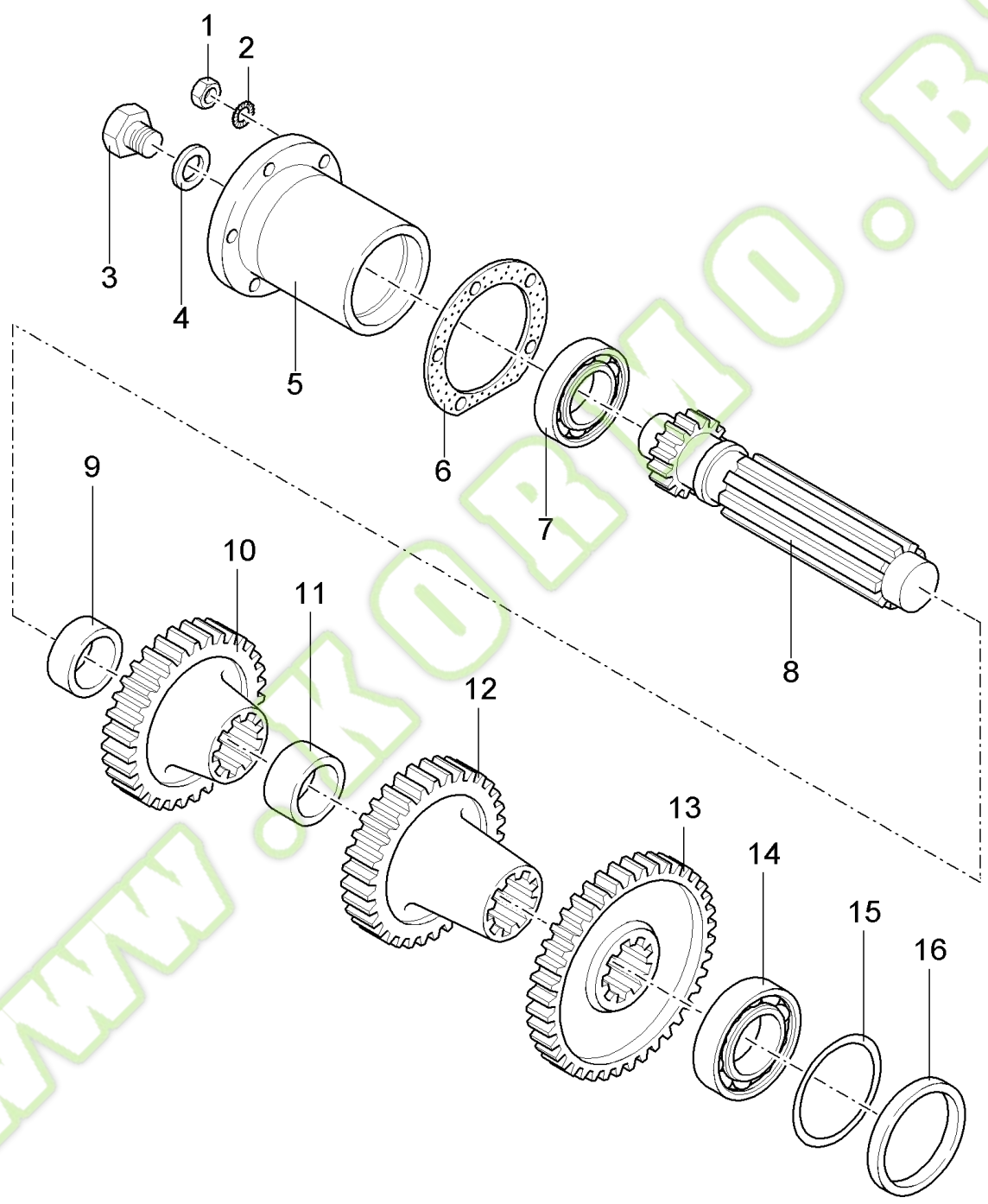
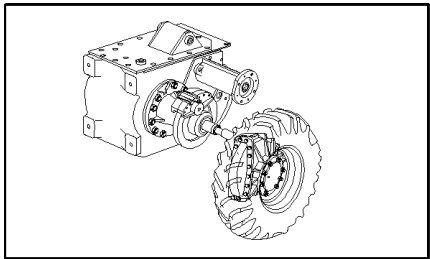


## FX48 SELF-PROPELLED FORAGE HARVESTER (9/98- )

## 09.09(01) GEARS

Ref	Part Number	Qty	Description
1	396136	1	BEARING, NEEDLE, {PP:80396136} , BSN C127
1	84043299	1	BEARING, NEEDLE, , SET OF 2, ASN D128
2	84021742	1	GEAR, , BSN C127
2	84061273	1	GEAR, , ASN D128
3	396120	1	SLEEVE, {PP:80396120}
4	9837153	1	SYNCHRONIZER, {PP:89837153}
5	140045	6	WASHER, LOCK, {PP:80140045} Belleville, M10, 10MM
6	100016	6	NUT, {PP:80100016} M10, CI 8, M10
7	9819648	1	FLANGE, {PP:89819648} , BSN C127
7	84043229	1	FLANGE, , ASN D128
8	388116	1	SEAL, {PP:80388116} , BSN C127
8	80535911	1	GASKET, , ASN D128
9	9819906	1	GASKET, {PP:89819906}
10	322365	1	BEARING ASSY, {PP:80322365} , BSN C127
10	84005316	1	BEARING ASSY, , ASN D128
11	396121	1	SLEEVE, {PP:80396121} , BSN C127
11	84043225	1	SLEEVE, , ASN D128
12	9837148	1	GEAR, {PP:89837148} , BSN C127
12	84078074	1	GEAR, , ASN D128
13	396137	1	BEARING ASSY, {PP:80396137}
14	84043223	1	RING, , ASN D128
15	84005694	1	SHAFT, , BSN C127
15	84043232	1	SHAFT, , ASN D128

09.10(01) GEARS

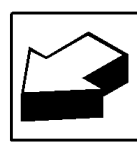
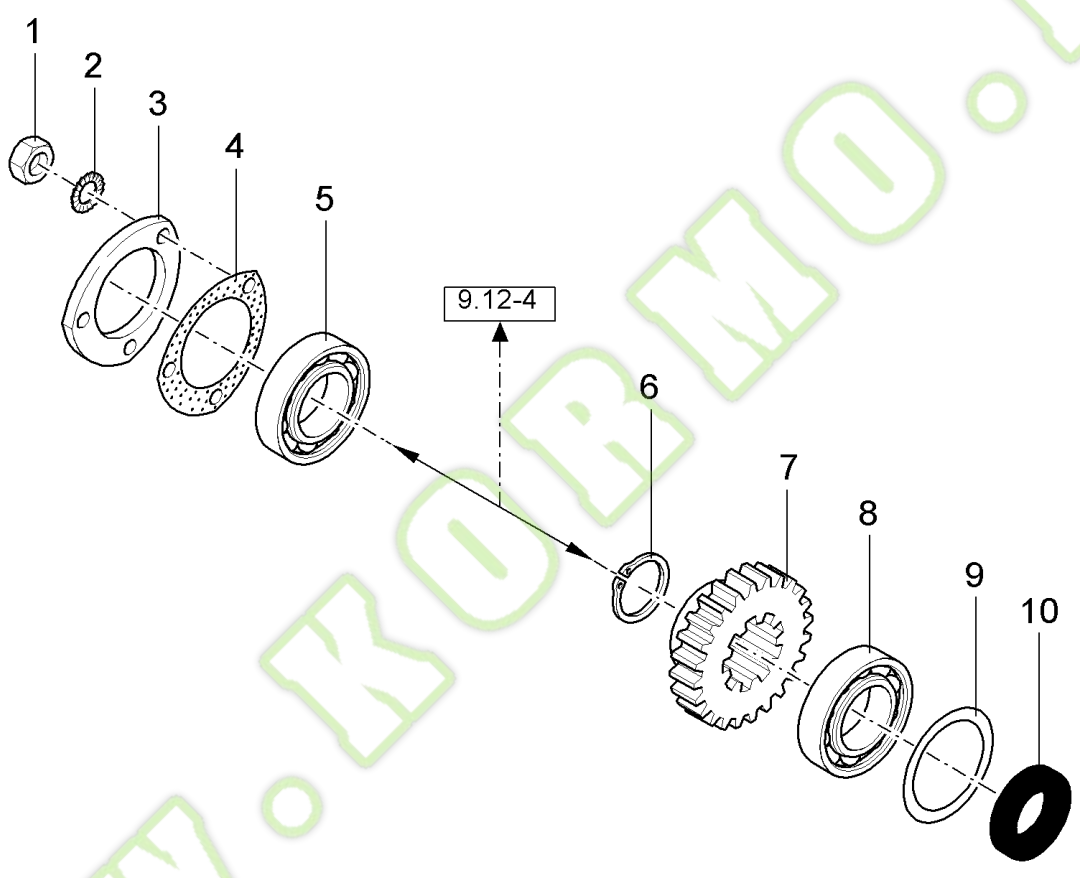
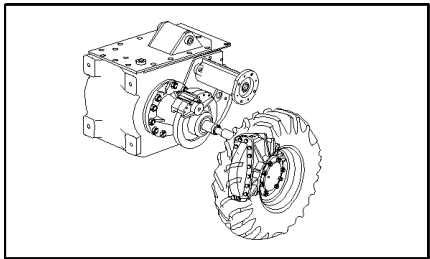


## FX48 SELF-PROPELLED FORAGE HARVESTER (9/98- )

## 09.10(01) GEARS

Ref	Part Number	Qty	Description
1	100016	5	NUT, {PP:80100016} M10, CI 8, M10
2	140045	5	WASHER, LOCK, {PP:80140045} Belleville, M10, 10MM
3	150006	1	PLUG, {PP:80150006}
4	220025	1	GASKET, {PP:80220025}
5	430661	1	FLANGE, {PP:80430661} , BSN C127
5	84043231	1	FLANGE, , ASN D128
6	394468	1	GASKET, {PP:80394468}
7	423273	1	BEARING ASSY, {PP:80423273} , BSN C127
7	323327	1	BEARING ASSY, {PP:80323327} , ASN D128
8	384259	1	SHAFT, {PP:80384259} , BSN C127
8	84078075	1	SHAFT, , ASN D128
9	394361	1	BUSHING, {PP:80394361}
10	84021741	1	GEAR, , BSN C127
10	84061271	1	GEAR, , ASN D128
11	394359	1	BUSHING, {PP:80394359} , BSN C127
12	796145	1	GEAR, {PP:80796145}
13	384262	1	GEAR, {PP:80384262}
14	423362	1	BEARING ASSY, {PP:80423362}
15	412192	AR	SHIM, {PP:80412192}
16	430964	1	BUSHING, {PP:80430964}

09.11(01) GEARS



FX48 SELF-PROPELLED FORAGE HARVESTER (9/98- )

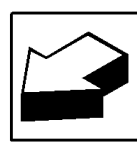
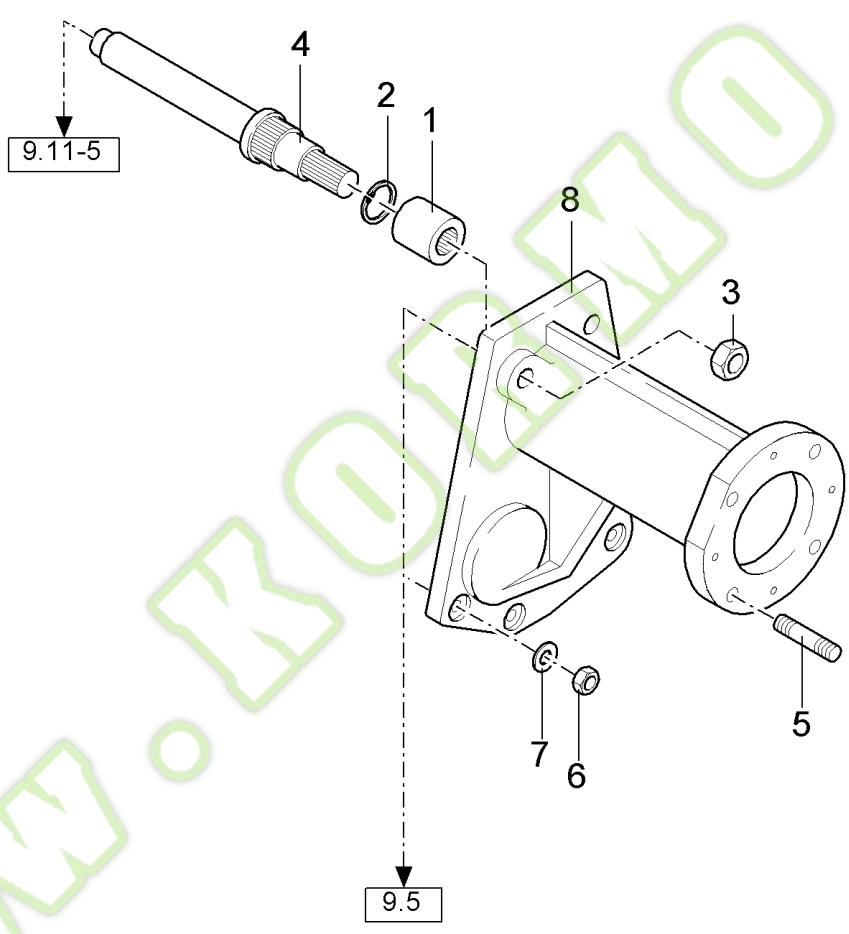
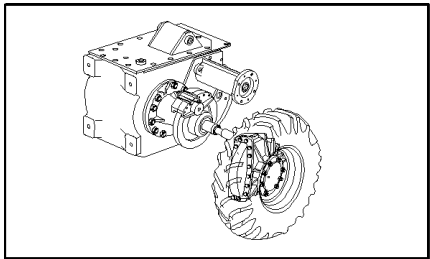
09.11(01) GEARS

Ref	Part Number	Qty	Description
1	100016	3	NUT, {PP:80100016} M10, CI 8, M10
2	140045	3	WASHER, LOCK, {PP:80140045} Belleville, M10, 10MM
3	381934	1	FLANGE, {PP:80381934}
4	382225	1	GASKET, {PP:80382225}
5	42449	1	BEARING, BALL, {PP:80042449} , BSN C127
5	80210048	1	BEARING ASSY, , ASN D128
6	396138	1	CIRCLIP, {PP:80396138}
7	395963	1	GEAR, {PP:80395963}
8	42543	1	BEARING ASSY, {PP:80042543}
9	412192	AR	SHIM, {PP:80412192}
10	388116	1	SEAL, {PP:80388116}

WWW.KORMO.BY







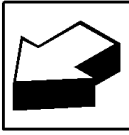
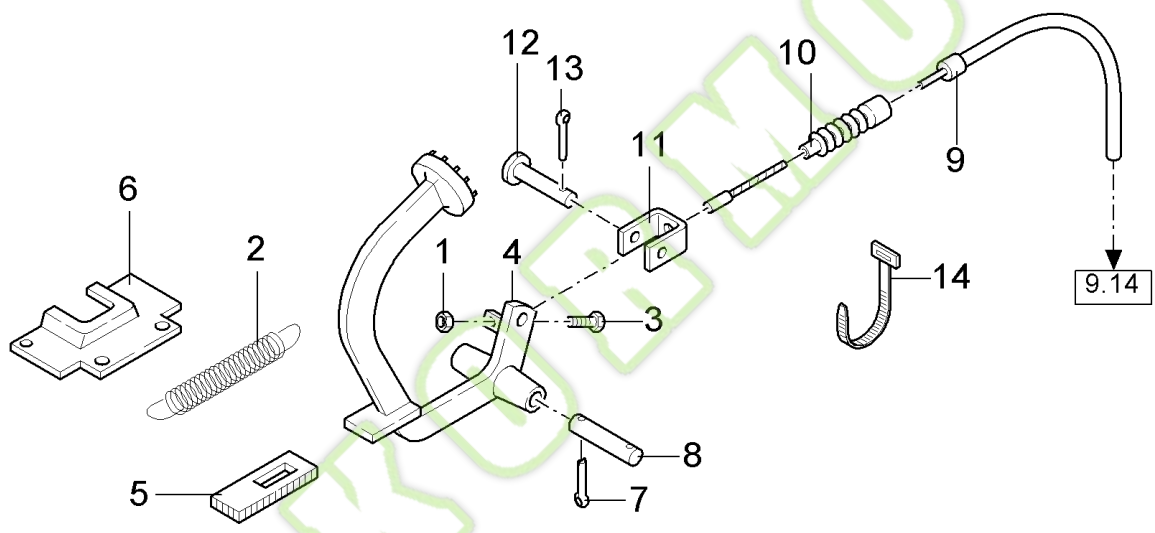
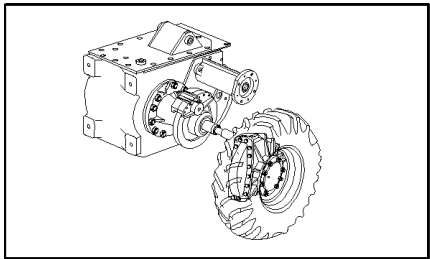
## FX48 SELF-PROPELLED FORAGE HARVESTER (9/98- )

## 09.12(01) HYDROSTATIC DRIVE, SPECIFIC PARTS

Ref	Part Number	Qty	Description
1	696665	1	COUPLING, {PP:80696665}
2	34163	1	RING, SNAP, {PP:80034163} 1.375, Int, #137, 1.375", Int, #137
3	100037	2	NUT, {PP:80100037} M10 x 1.5, Cl 8, M10
4	396115	1	SHAFT, {PP:80396115}
5	350341	4	STUD, {PP:80350341}
6	89706685	4	NUT, M12
7	140046	4	WASHER, LOCK, {PP:80140046} Belleville, M12, 12MM
8	89833146	1	SUPPORT,

WWW.KORMO.BY

09.13(01) DIFFERENTIAL LOCK CONTROL



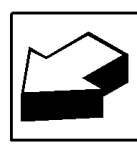
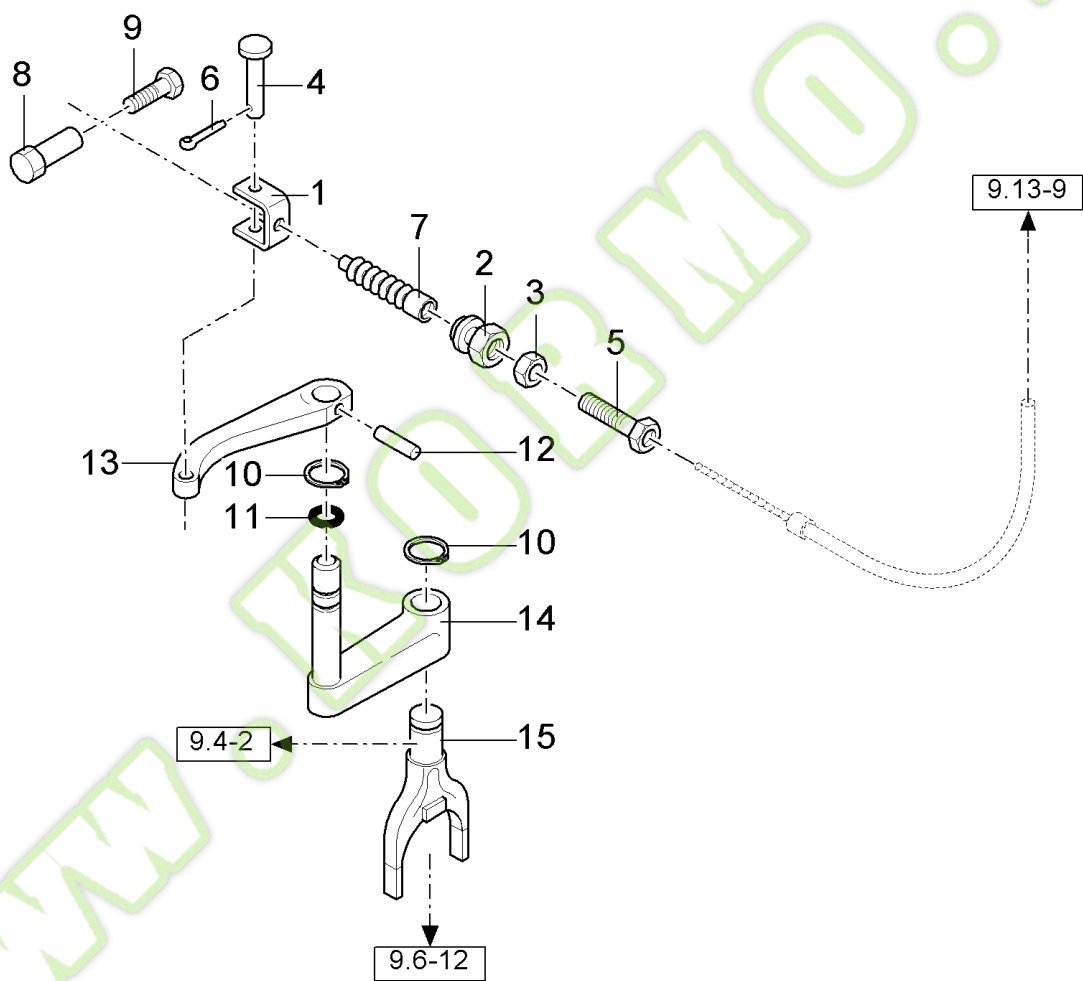
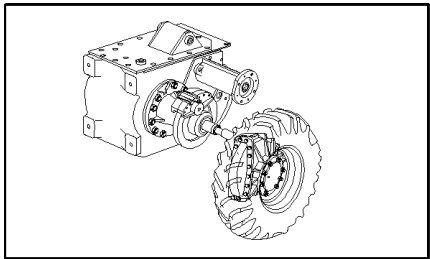
## FX48 SELF-PROPELLED FORAGE HARVESTER (9/98- )

## 09.13(01) DIFFERENTIAL LOCK CONTROL

Ref	Part Number	Qty	Description
1	89706690	1	NUT, CL 8, M8 x 1.25 x 13.0
2	9811656	1	SPRING, {PP:89811656}
3	43128	1	SCREW, {PP:80043128} Hex, M8 x 30, 8.8, Cap, HH, CL 8.8, M8 x 1.25 x 30
4	89839669	1	PEDAL,
5	89839853	1	ELEMENT, SEALING,
6	9819825	1	COVER, {PP:89819825}
7	412685	2	PIN, SPLIT (COTTER), {PP:80412685} M4 x 32,
8	80390066	1	PIN,
9	80431834	1	CABLE,
10	427705	1	COVER, {PP:80427705}
11	388340	1	YOKE, {PP:80388340}
12	376876	1	PIN, {PP:80376876}
13	300399	1	PIN, SPLIT (COTTER), {PP:80300399}
14	323597	3	STRAP, {PP:80323597}

WWW.KORMO.BY

09.14(01) DIFFERENTIAL LOCK CONTROL

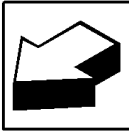
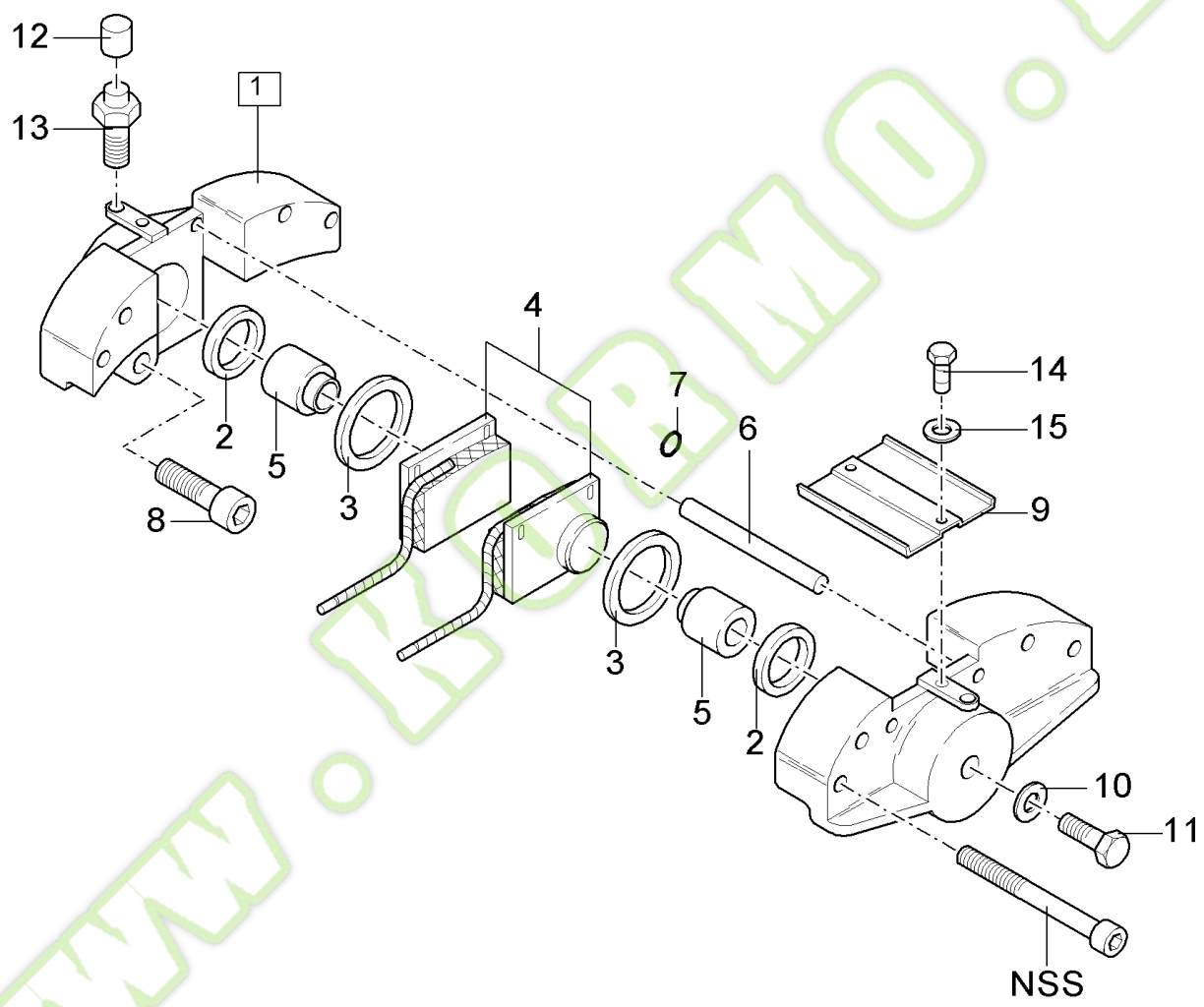
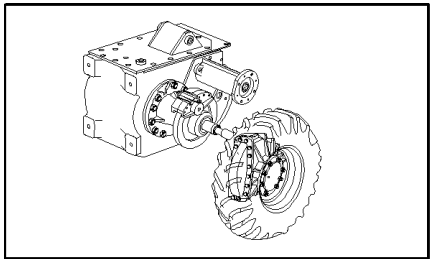


## FX48 SELF-PROPELLED FORAGE HARVESTER (9/98- )

## 09.14(01) DIFFERENTIAL LOCK CONTROL

Ref	Part Number	Qty	Description
1	388340	1	YOKE, {PP:80388340}
2	449470	1	NUT, {PP:80449470}
3	100016	1	NUT, {PP:80100016} M10, CI 8, M10
4	376876	1	PIN, {PP:80376876}
5	449469	1	SCREW, {PP:80449469}
6	300399	1	PIN, SPLIT (COTTER), {PP:80300399}
7	9818291	1	COVER, {PP:89818291}
8	381140	1	CLAMP, {PP:80381140}
9	120100	1	BOLT, {PP:80120100} Hex, M6 x 20, 8.8, M6x20
10	80370002	2	CIRCLIP,
11	89818942	1	O-RING,
12	9506888	1	PIN, {PP:89506888}
13	89818943	1	HANDLE,
14	89818945	1	ARM,
15	89818947	1	YOKE,

09.15(01) BRAKE ASSY



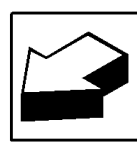
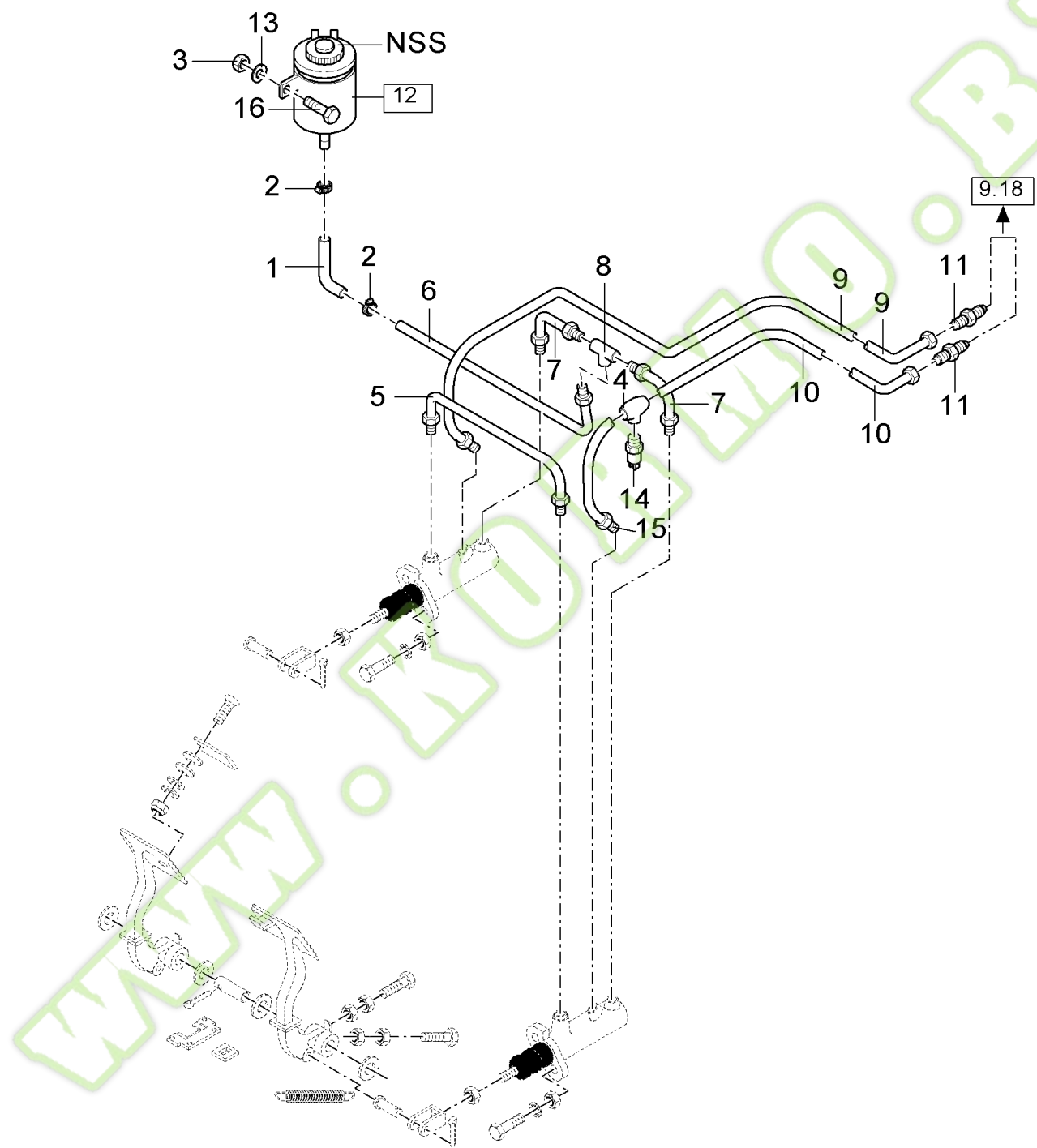
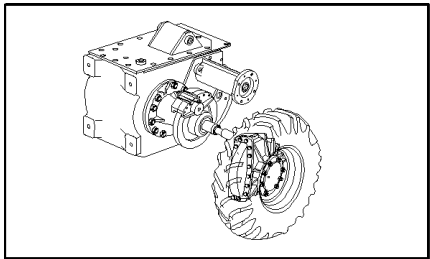
## FX48 SELF-PROPELLED FORAGE HARVESTER (9/98- )

## 09.15(01) BRAKE ASSY

Ref	Part Number	Qty	Description
1	9819370	4	BRAKE, {PP:89819370} (2 to 7)
2	9835351	8	GASKET, {PP:89835351}
3	9835350	8	GASKET, {PP:89835350}
4	9832306	8	BRAKE, PAD, {PP:89832306}
5	9850149	8	PISTON, {PP:89850149}
6	9850148	8	PIN, {PP:89850148}
7	9835353	4	O-RING, {PP:89835353}
8	89817243	8	SCREW, Cap, HS, CL 12.9, M16 x 2 x 50
9	84004317	2	COVER,
10	9832305	8	RING, {PP:89832305} , BSN C237
10	84439102	8	RING, , ASN D238
11	9832307	8	PLUG, {PP:89832307}
12	9835349	4	CAP, INTRODUCTION, {PP:89835349}
13	9832308	4	PLUG, {PP:89832308}
14	80300806	4	SCREW, M5x10
15	322356	4	WASHER, LOCK, {PP:80322356}



09.16(01) CIRCUIT FOR HYDRAULIC BRAKES

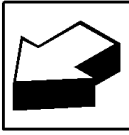
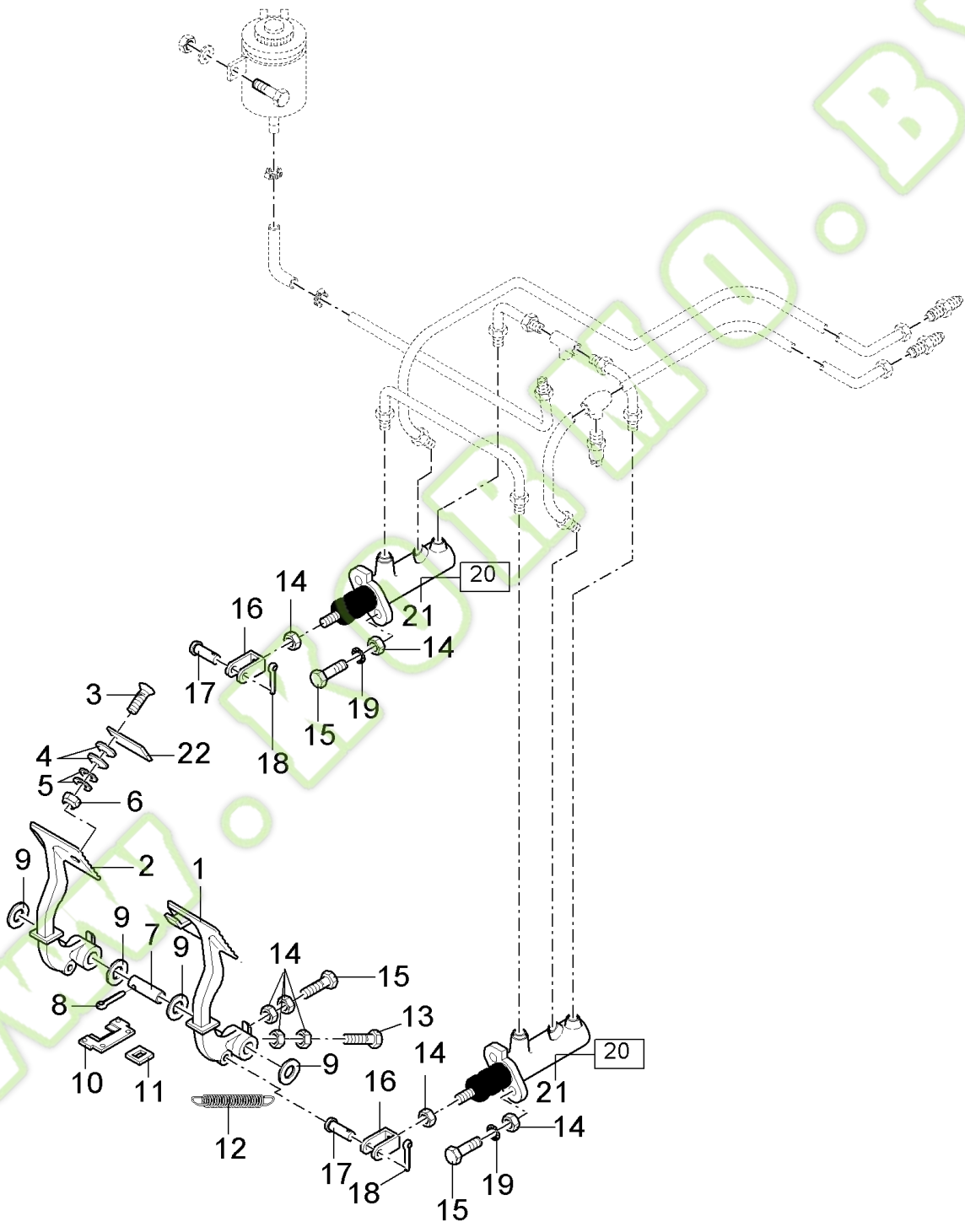
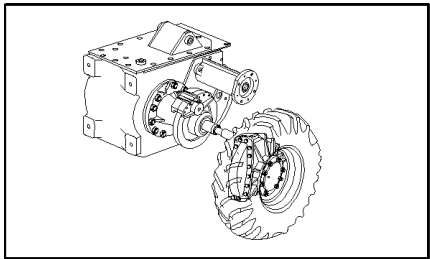


## FX48 SELF-PROPELLED FORAGE HARVESTER (9/98- )

## 09.16(01) CIRCUIT FOR HYDRAULIC BRAKES

Ref	Part Number	Qty	Description
1	410970	1	HOSE, {PP:80410970}
2	913888	2	CLAMP, {PP:80913888}
3	9706755	2	NUT, {PP:89706755} M6, CI 8, M6
4	9505391	1	CONNECTION, 3 WAY, {PP:89505391}
5	84014317	2	TUBE, HYD,
6	84014219	1	TUBE, HYD,
7	9837814	2	TUBE, HYD, {PP:89837814}
8	919855	1	CONNECTION, 3 WAY, {PP:80919855}
9	84000932	1	TUBE, HYD,
10	84014321	1	TUBE, HYD,
11	336722	2	CONNECTOR, HYD., {PP:80336722}
12	9819520	1	RESERVOIR, HYDRAULIC OIL, {PP:89819520}
13	322357	2	WASHER, LOCK, {PP:80322357} Belleville, M6, Belleville, M6
14	354372	1	SENSOR, {PP:80354372}
15	84014319	1	TUBE, HYD,
16	86508568	2	SCREW, Hex, M6 x 16, 8.8, M6x16

09.17(01) PEDALS HYDRAULIC BRAKES

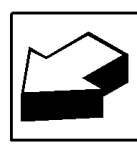
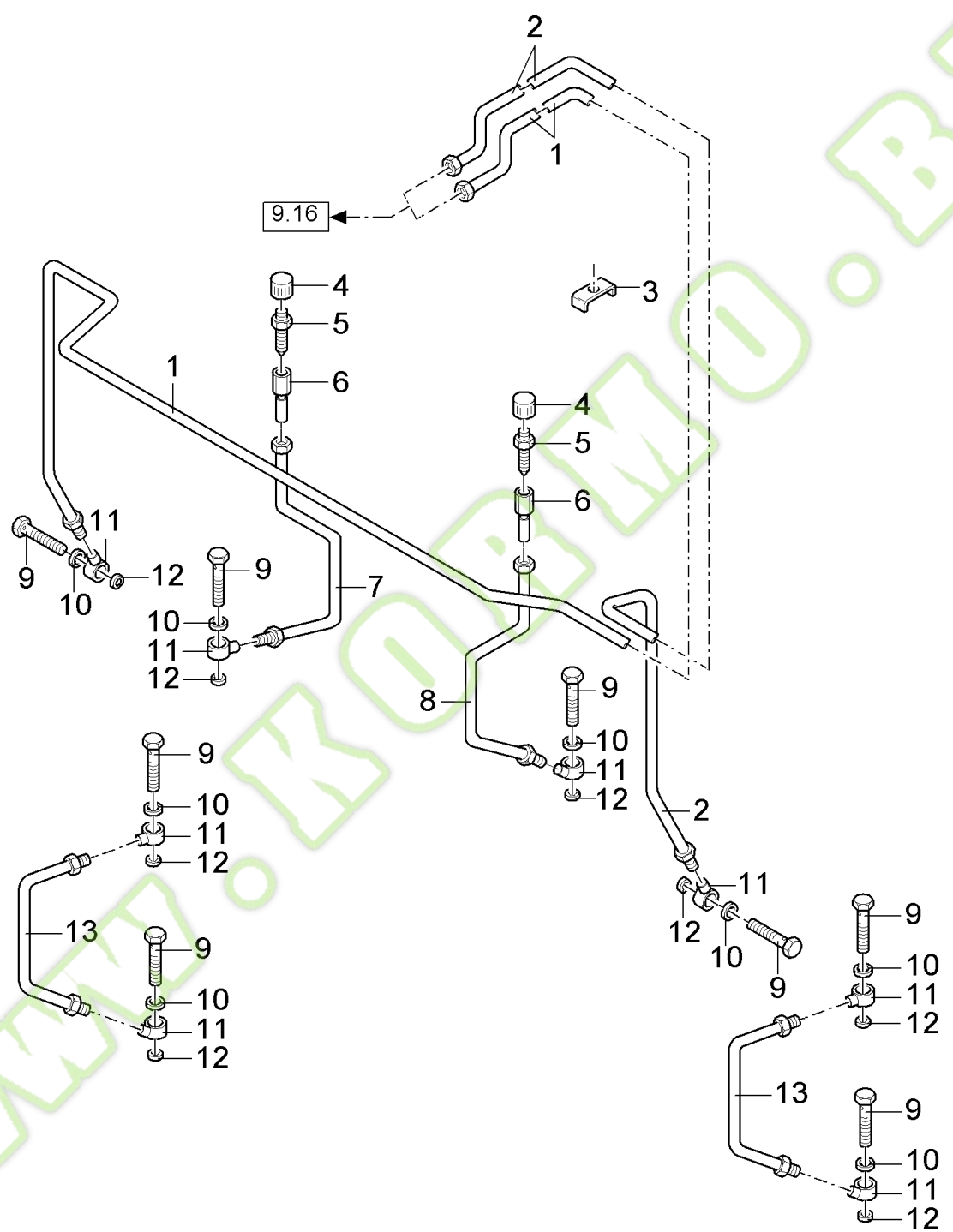
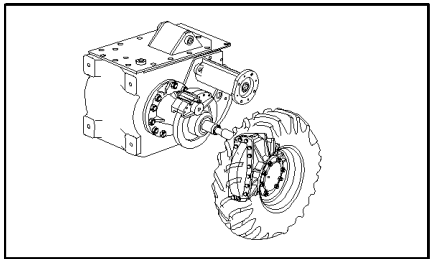


## FX48 SELF-PROPELLED FORAGE HARVESTER (9/98- )

## 09.17(01) PEDALS HYDRAULIC BRAKES

Ref	Part Number	Qty	Description
1	9594861	1	PEDAL, {PP:89594861} LH
2	9594862	1	PEDAL, {PP:89594862} RH
3	412168	1	SCREW, {PP:80412168} Hex Soc Flat Hd, M8 x 30, 8.8, M8x30
4	397881	2	WASHER, {PP:80397881}
5	84012127	2	WASHER, LOCK,
6	43442	1	NUT, {PP:80043442} M8 x 1.25", CI 8, M8
7	9819905	1	SHAFT, {PP:89819905}
8	130007	2	PIN, SPLIT (COTTER), {PP:80130007} M4 x 25,
9	9513615	AR	WASHER, {PP:89513615}
10	9819825	2	COVER, {PP:89819825}
11	9819826	2	ELEMENT, SEALING, {PP:89819826}
12	9811656	2	SPRING, {PP:89811656}
13	120106	2	SCREW, {PP:80120106} Hex, M8 x 40, 8.8, Full Thd, Hex, M8 x 40, 8.8, Full Thd
14	100015	10	NUT, {PP:80100015} M8, CI 8, M8
15	43128	6	SCREW, {PP:80043128} Hex, M8 x 30, 8.8, Cap, HH, CL 8.8, M8 x 1.25 x 30
16	921491	2	YOKE, {PP:80921491}
17	412414	2	PIN, {PP:80412414}
18	9512667	2	PIN, SPLIT (COTTER), {PP:89512667} M6.3 x 40,
19	322358	4	WASHER, LOCK, {PP:80322358} Belleville, M8, 8MM
20	9509901	2	MASTER CYLINDER, {PP:89509901} (21)
21	9817544	2	KIT, REPAIR, {PP:89817544}
22	449009	1	PLATE, {PP:80449009}

09.18(01) CIRCUIT FOR HYDRAULIC BRAKES

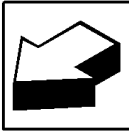
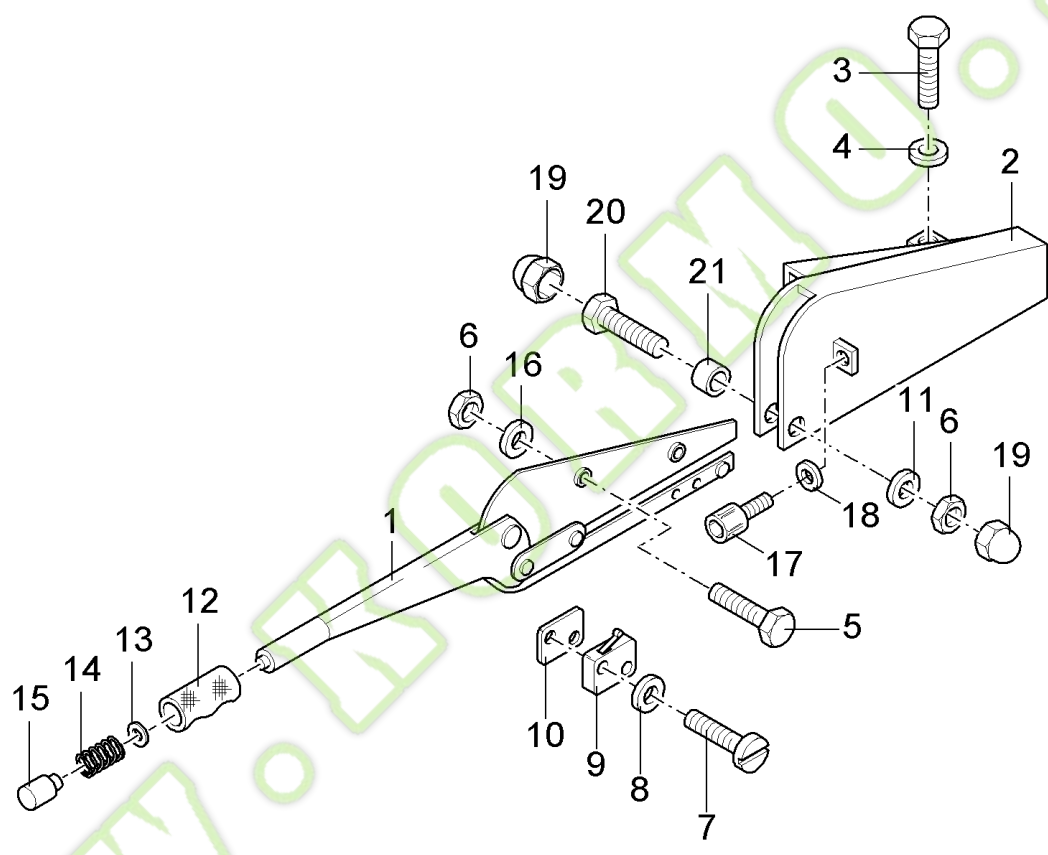
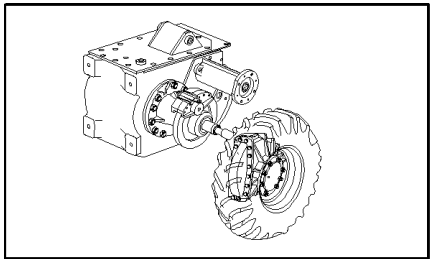


## FX48 SELF-PROPELLED FORAGE HARVESTER (9/98- )

## 09.18(01) CIRCUIT FOR HYDRAULIC BRAKES

Ref	Part Number	Qty	Description
1	84022025	1	TUBE, RIGID, RH
2	84022027	1	TUBE, RIGID, LH
3	336760	AR	CLAMP, {PP:80336760}
4	9835349	2	CAP, INTRODUCTION, {PP:89835349}
5	9832308	2	PLUG, {PP:89832308}
6	9835807	2	CONNECTOR, HYD., {PP:89835807}
7	9835999	1	TUBE, HYD, {PP:89835999}
8	9837000	1	TUBE, HYD, {PP:89837000}
9	9832304	8	SCREW, {PP:89832304}
10	355607	8	RING, {PP:80355607} 12MM
11	9832303	8	CONNECTOR, HYD., {PP:89832303}
12	9832305	8	RING, {PP:89832305} 10MM, BSN C237
12	84439102	8	RING, , ASN D238
13	9835995	2	TUBE, {PP:89835995} , BSN C237
13	84441718	2	TUBE, , ASN D238

09.19(01) TRANSMISSION HANDBRAKE



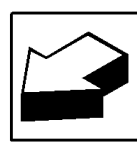
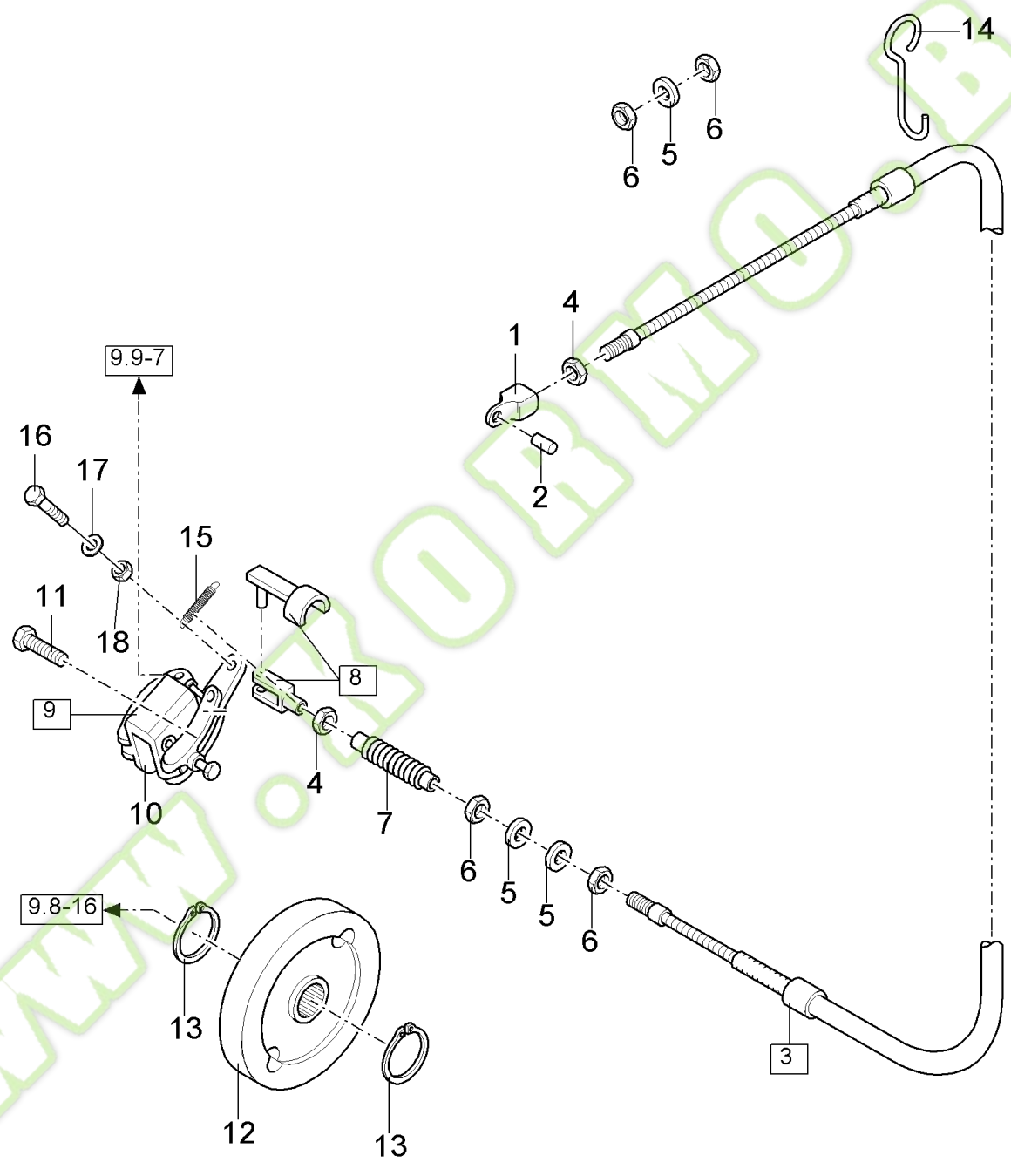
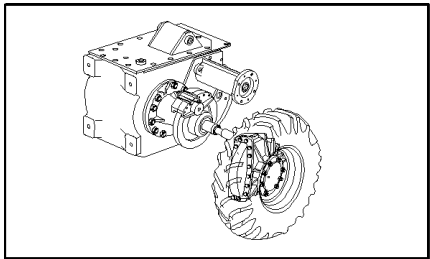
## FX48 SELF-PROPELLED FORAGE HARVESTER (9/98- )

## 09.19(01) TRANSMISSION HANDBRAKE

Ref	Part Number	Qty	Description
1	84007151	1	BRAKE, HAND,
2	84005291	1	SUPPORT,
3	80120104	1	SCREW, M8x20
4	322358	1	WASHER, LOCK, {PP:80322358} Belleville, M8, 8MM
5	80120102	4	SCREW, M6x40
6	9706755	5	NUT, {PP:89706755} M6, CI 8, M6
7	84021091	2	SCREW, M3x20
8	412547	2	WASHER, LOCK, {PP:80412547} Serr, M3, 3MM
9	399159	1	SWITCH, {PP:80399159}
10	84015508	1	PLATE, COVER,
11	448889	1	WASHER, {PP:80448889}
12	E9NN2N672CB	1	HANDLE GRIP, {PP:81866090}
13	140015	1	WASHER, {PP:80140015} 6MM
14	84005684	1	SPRING,
15	84005683	1	KNOB,
16	322357	4	WASHER, LOCK, {PP:80322357} Belleville, M6, Belleville, M6
17	84007540	2	SCREW, M6x25
18	84007539	2	WASHER,
19	747881	2	NUT, {PP:80747881} M6
20	86977789	1	SCREW, Hex, M6 x 35, 8.8, Hex, M6 x 35, 8.8
21	84014547	1	BUSHING,



09.20(01) TRANSMISSION HANDBRAKE

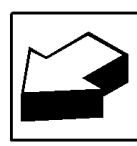
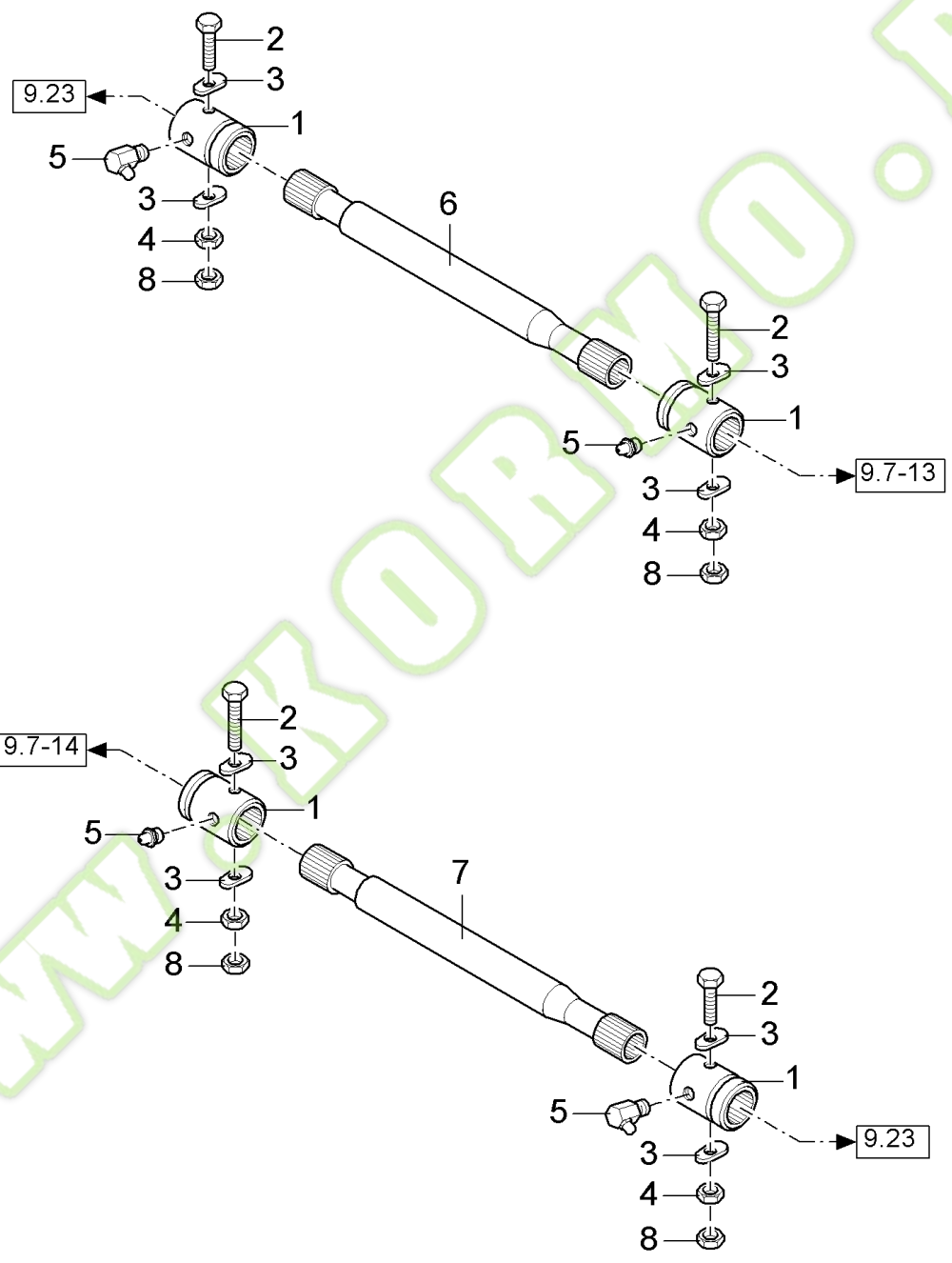
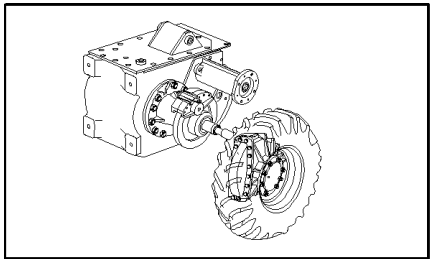


## FX48 SELF-PROPELLED FORAGE HARVESTER (9/98- )

## 09.20(01) TRANSMISSION HANDBRAKE

Ref	Part Number	Qty	Description
1	84005292	1	YOKE,
2	385818	1	PIN, {PP:80385818}
3	84004404	1	CABLE, (4 to 8)
4	80354720	2	NUT, Thin, M10 x 1.5, CI 05, M10
5	140048	3	WASHER, LOCK, {PP:80140048} Belleville, M16, 16MM
6	364164	4	NUT, {PP:80364164} Thin, M16 x 1.5, CI 04, M16x1.5
7	84007603	1	PROTECTING COVER,
8	9838355	1	YOKE, {PP:89838355}
9	9819715	1	BRAKE, {PP:89819715} (10)
10	9819908	2	BRAKE LINING, {PP:89819908}
11	9832986	2	SCREW, {PP:89832986} M10x30
12	9819552	1	BRAKE DISC, {PP:89819552}
13	370006	2	CIRCLIP, {PP:80370006}
14	84011921	1	HOOK,
15	29833	1	SPRING, {PP:80029833}
16	120068	1	SCREW, {PP:80120068} Hex, M10 x 40, 8.8, Full Thd, M10x40
17	378244	1	WASHER, LOCK, {PP:80378244} 10MM
18	100037	1	NUT, {PP:80100037} M10 x 1.5, CI 8, M10

09.21(01) DRIVE SHAFTS

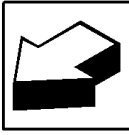
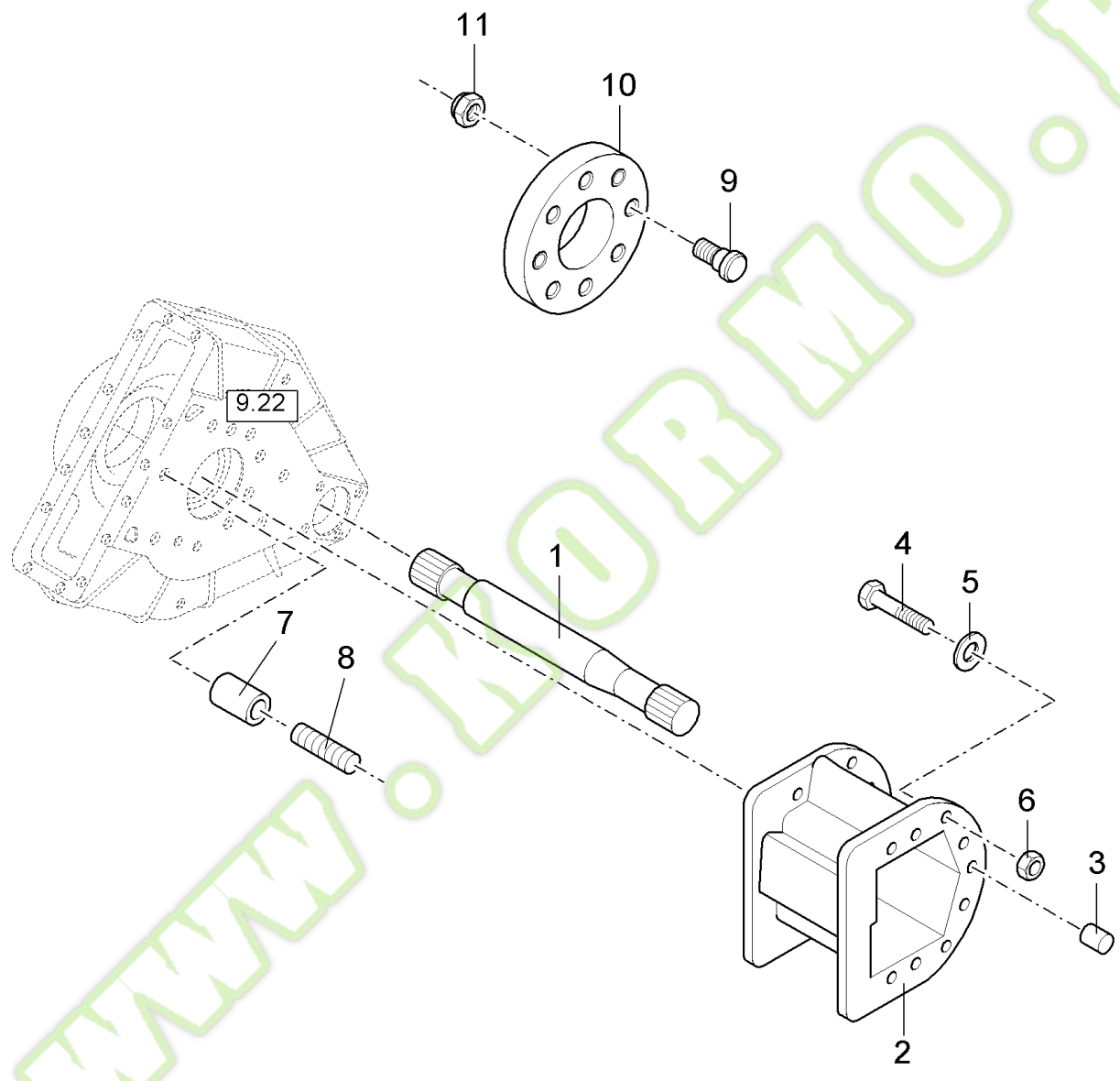
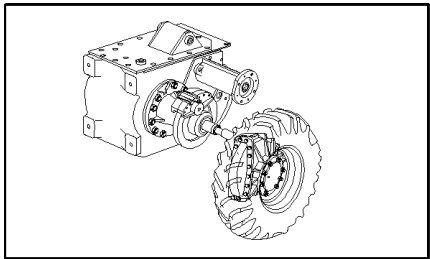


## 09.21(01) DRIVE SHAFTS

Ref	Part Number	Qty	Description
1	445956	4	CONNECTOR, {PP:80445956}
2	120073	4	SCREW, {PP:80120073} Hex, M10 x 80, 8.8, M10x80
3	80158013	8	WASHER, 10MM
4	100016	4	NUT, {PP:80100016} M10, CI 8, M10
5	321204	4	NIPPLE, LUBE, {PP:80321204}
6	392900	1	SHAFT, {PP:80392900} LH
7	84045457	1	SHAFT, RH
8	80354720	4	NUT, Thin, M10 x 1.5, CI 05, M10

WWW.KORMO.BY

09.21A(01) EXTENSION KIT

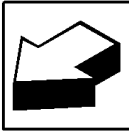
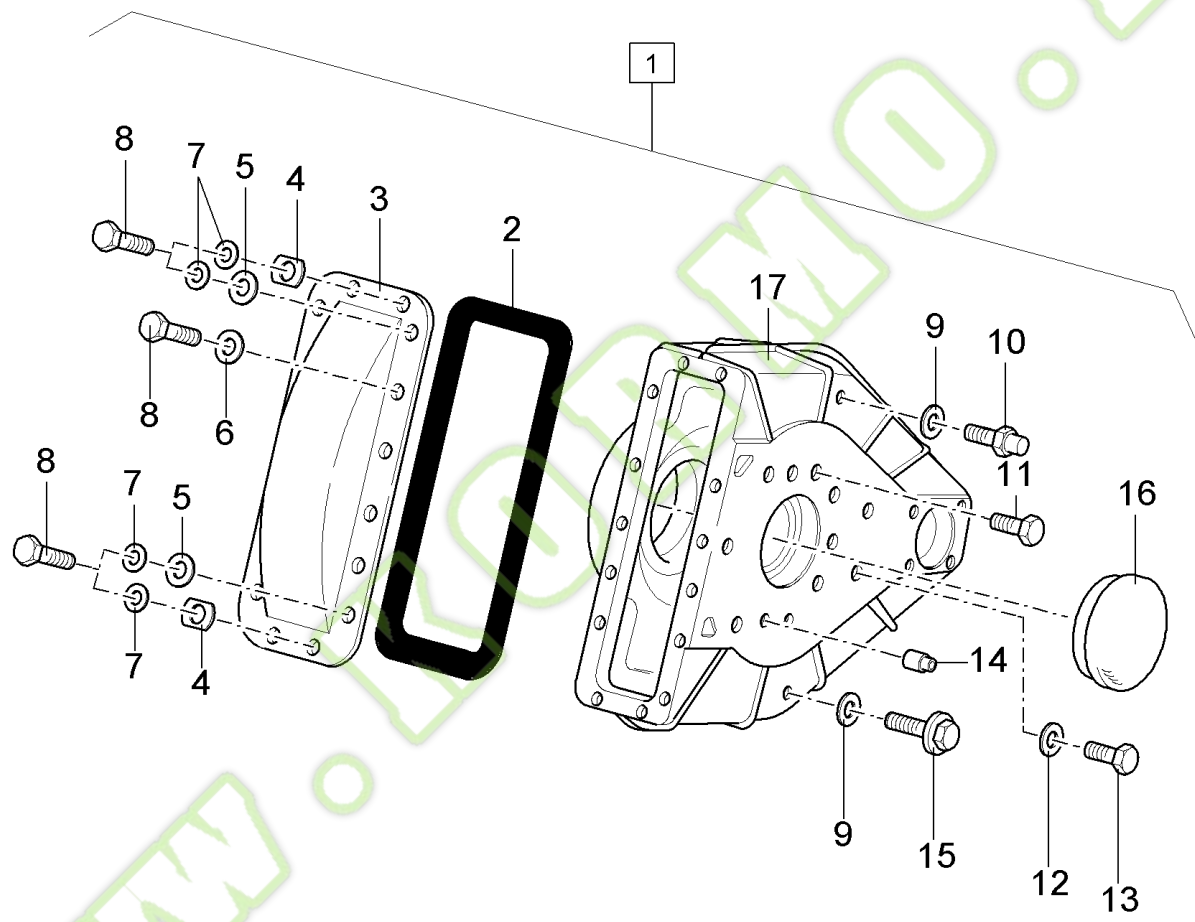
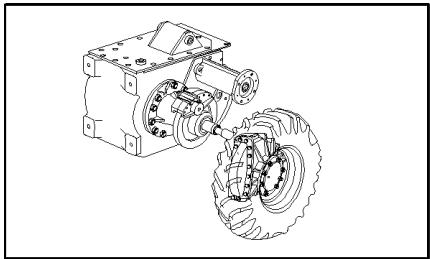


## FX48 SELF-PROPELLED FORAGE HARVESTER (9/98- )

## 09.21A(01) EXTENSION KIT

Ref	Part Number	Qty	Description
1	84036433	1	SHAFT, CONTROL, LH
1	9512564	1	SHAFT, CONTROL, {PP:89512564} RH
2	84035526	2	EXTENSION,
3	9838201	4	PIN, {PP:89838201}
4	80374890	14	SCREW, M20x60
5	322359	14	WASHER, LOCK, {PP:80322359} Belleville, M20, 20MM
6	100023	14	NUT, {PP:80100023} M20, CI 8, M20
7	84035318	2	BUSHING,
8	84045622	2	STUD,
9	330291	16	BOLT, {PP:80330291} , FOR FX28-38-48 ONLY, FOR NA ONLY
10	84002666	2	EXTENSION, , FOR FX28-38-48 ONLY, FOR NA ONLY
11	748961	16	NUT, {PP:80748961} , FOR FX28-38-48 ONLY, FOR NA ONLY

WWW.KORMO.BY

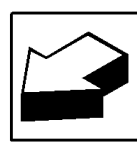
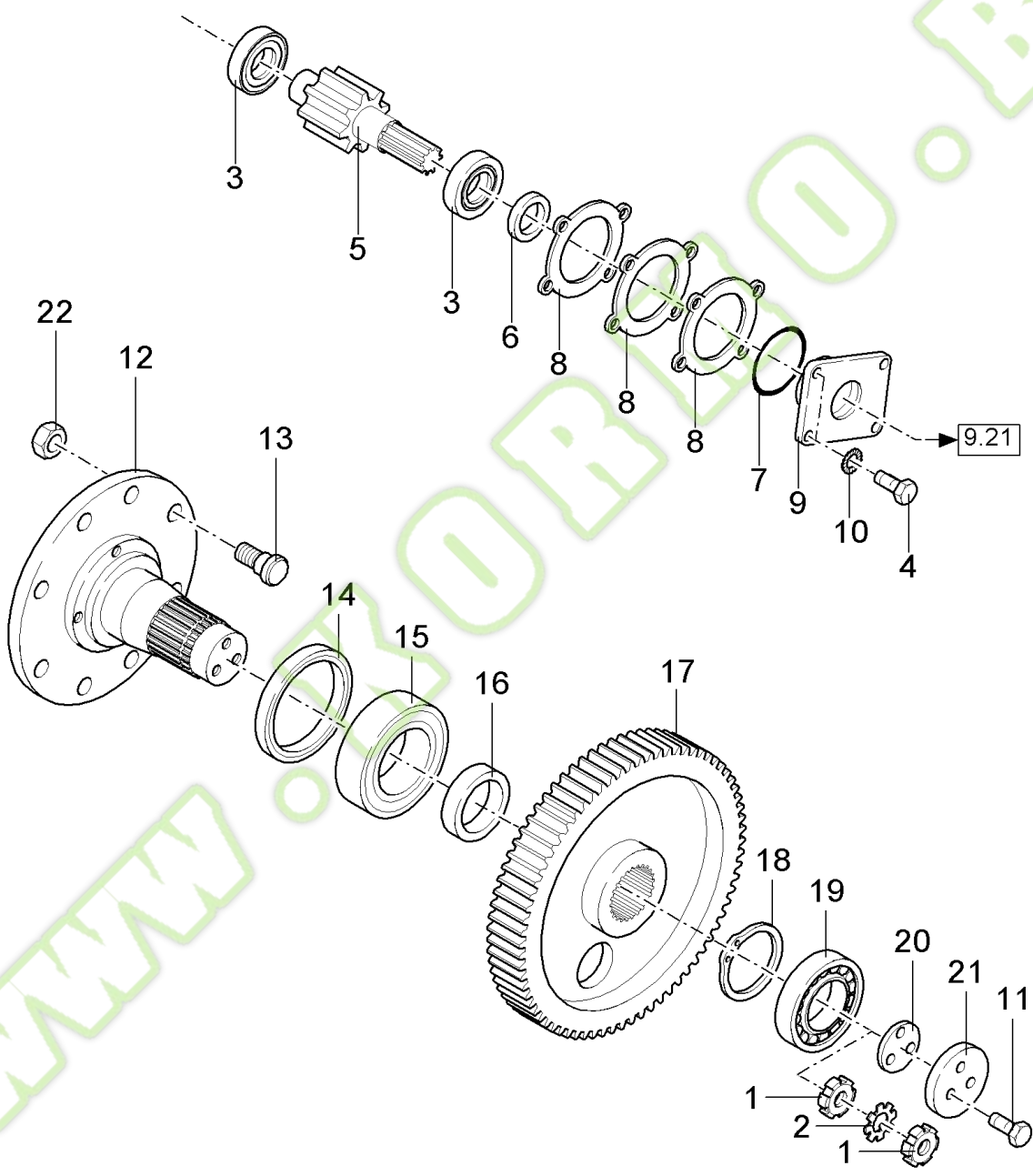
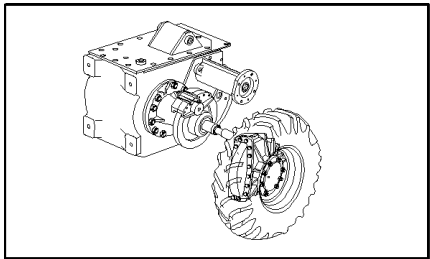


## FX48 SELF-PROPELLED FORAGE HARVESTER (9/98- )

09.22(01) END REDUCTION 10/75

Ref	Part Number	Qty	Description
1	80441000	2	GEAR REDUCTION UNIT, (2 to 17, Fig. 09.23), FOR FX28 ONLY
1	9832265	2	GEAR REDUCTION UNIT, {PP:89832265} (2 to 17, Fig. 09.23), FOR FX38-48-58 ONLY
2	445497	2	GASKET, {PP:80445497}
3	748076	2	COVER, {PP:80748076}
4	743794	8	WASHER, {PP:80743794}
5	140042	8	WASHER, LOCK, {PP:80140042} M10 x 34 x 3,
6	394629	16	WASHER, LOCK, {PP:80394629} 10MM
7	140045	28	WASHER, LOCK, {PP:80140045} Belleville, M10, 10MM
8	120109	32	SCREW, {PP:80120109} Hex, M10 x 20, 8.8, Full Thd, M10x20
9	220025	4	GASKET, {PP:80220025}
10	386287	2	BREATHER, {PP:80386287}
11	9512573	16	SCREW, {PP:89512573} Hex, M20 x 40, 10.9, M20x40
12	722441	4	GASKET,
13	412413	4	PLUG, {PP:80412413}
14	918737	4	PIN, {PP:80918737}
15	336897	2	PLUG, {PP:80336897}
16	9833630	2	COVER, {PP:89833630}
17	84019913	2	HOUSING, , FOR FX28 ONLY
17	9509280	2	HOUSING, FINAL DRIVE, {PP:89509280} , FOR FX38-48-58 ONLY



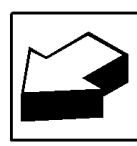
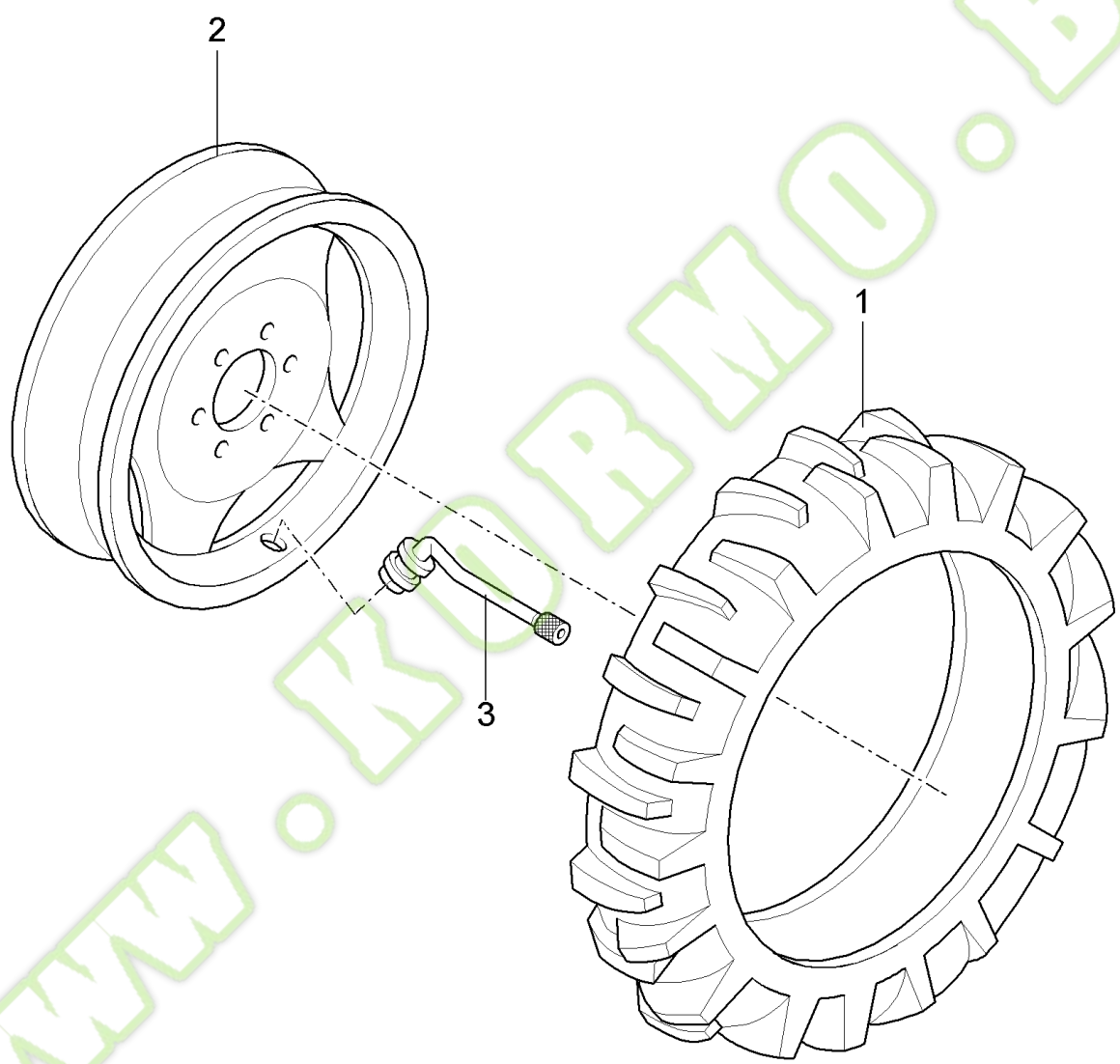
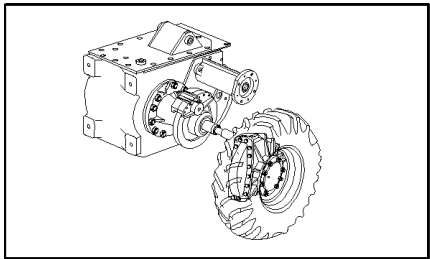


## FX48 SELF-PROPELLED FORAGE HARVESTER (9/98- )

09.23(01) END REDUCTION 10/75

Ref	Part Number	Qty	Description
1	9811129	4	NUT, {PP:89811129} , FOR FX38-48-58 ONLY
2	9838325	2	PLATE, {PP:89838325} , FOR FX38-48-58 ONLY
3	9832269	4	BEARING ASSY, {PP:89832269}
4	43140	AR	BOLT, {PP:80043140} Hex, M10 x 30, 8.8, M10x30, NOT FOR NA
5	9832292	2	SHAFT, {PP:89832292}
6	381860	2	SEAL, {PP:80381860}
7	381895	2	O-RING, {PP:80381895}
8	382948	AR	SHIM, {PP:80382948} THK.:0.05MM
8	382949	AR	SHIM, {PP:80382949} THK.:0.2MM
8	382950	AR	SHIM, {PP:80382950} THK.:0.5MM
9	9833631	2	FLANGE, {PP:89833631}
10	140045	AR	WASHER, LOCK, {PP:80140045} Belleville, M10, 10MM
11	84443546	6	SCREW, M16x35
12	9510170	2	FLANGE, {PP:89510170} , FOR FX28 ONLY
12	9818675	2	FLANGE, {PP:89818675} , FOR FX38-48-58 ONLY
13	330291	16	BOLT, {PP:80330291}
14	381856	2	SEAL, {PP:80381856} , FOR FX28 ONLY
14	9832264	2	RING, {PP:89832264} , FOR FX38-48-58 ONLY
15	384142	2	BEARING ASSY, {PP:80384142} , FOR FX28 ONLY
15	9832271	2	BEARING ASSY, {PP:89832271} , FOR FX38-48-58 ONLY
16	922092	2	SPACER, {PP:80922092} , FOR FX28 ONLY
16	9832274	2	BUSHING, {PP:89832274} , FOR FX38-48-58 ONLY
17	9502657	2	GEAR, {PP:89502657}
18	300639	2	RING, SNAP, {PP:80300639}
19	9832270	2	BEARING ASSY, {PP:89832270}
20	395391	AR	SHIM, {PP:80395391} THK.:0.05MM, FOR FX28 ONLY
20	395392	AR	SHIM, {PP:80395392} THK.:0.2MM, FOR FX28 ONLY
20	395393	AR	SHIM, {PP:80395393} THK.:0.5MM, FOR FX28 ONLY
21	382503	2	FLANGE, {PP:80382503} , FOR FX28 ONLY
22	748961	16	NUT, {PP:80748961} M22x1.5

09.24(01) TRACTION WHEELS

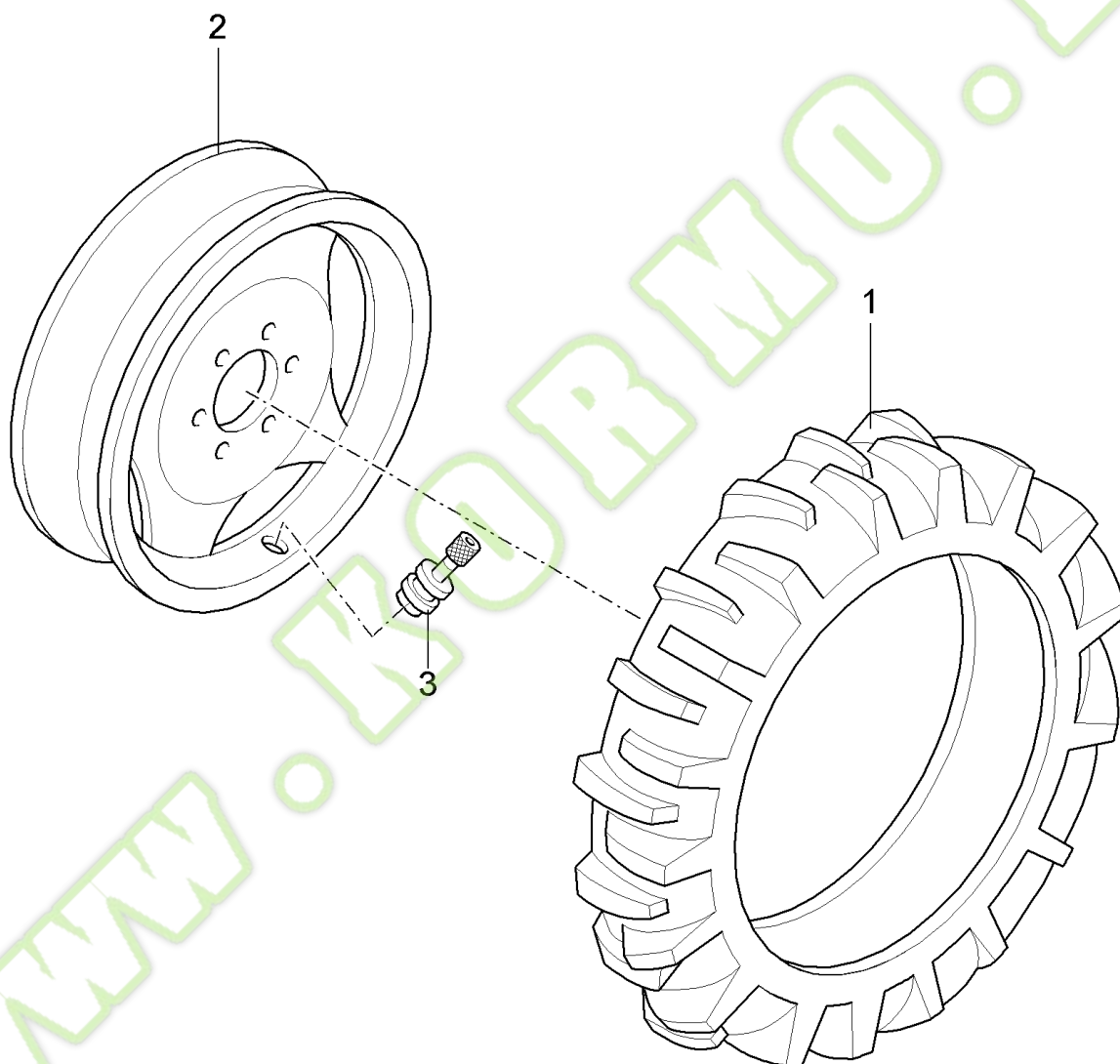
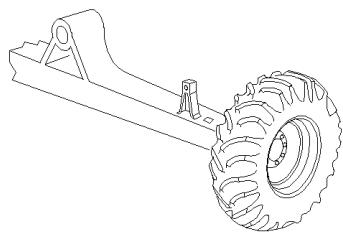


## FX48 SELF-PROPELLED FORAGE HARVESTER (9/98- )

## 09.24(01) TRACTION WHEELS

Ref	Part Number	Qty	Description
1	84058277	2	TYRE/TIRE, , 1050/50R32 - 174 A8 - XM 609
1	84032268	2	TYRE/TIRE, , 28LRX26 - 165A8 - STR (57) TUBELESS (750/65R26)
1	9515498	2	TYRE/TIRE, {PP:89515498}, 800/65 R32 - 167A8 - STR, BSN C217
1	84078789	2	TYRE/TIRE, , 800/65 R32 - 167A8 - DT822, ASN D218
1	84022908	2	TYRE/TIRE, , 800/65 R32 - 172A8 - STR, BSN C217
1	84078790	2	TYRE/TIRE, , 800/65 R32 - 172A8 - DT822, ASN D218
1	9818259	2	TYRE/TIRE, {PP:89818259}, 620/75R30 - 163A8 - DT820
1	84032268	2	TYRE/TIRE, , 28LRX26 - 165A8 - STR-R-1
1	84036000	2	TYRE/TIRE, , 73X44.00 - 32 - 12PR(0)
1	9515492	2	TYRE/TIRE, {PP:89515492}, 650/75R32 - 167A8 - DT820-R-1, BSN C217
1	84078788	2	TYRE/TIRE, , 650/75R32 - 167A8 - DT822-R-1, ASN D218
1	84806566	2	TYRE/TIRE, , 800/65 R32 - 172A8 - MICHELIN, ASN D194
2	84036055	2	RIM, , 1050/50R32 - 174 A8 - XM 609, BSN C173
2	84429227	2	RIM, WHITE, 1050/50R32 - 174 A8 - XM 609, ASN D174
2	748955	2	RIM, {PP:80748955}, 28LRX26 - 165A8 - STR (57) TUBELESS (750/65R26), BSN C173
2	84429206	2	RIM, WHITE, 28LRX26 - 165A8 - STR (57) TUBELESS (750/65R26), ASN D174
2	84023739	2	RIM, , 800/65 R32 - 167A8 - STR, BSN C173
2	84429222	2	RIM, WHITE, 800/65 R32 - 167A8 - STR, 800/65 R32 - 172A8 - STR, 800/65 R32 - 172A8 - DT822, ASN D174
2	9515552	2	WHEEL, {PP:89515552}, 620/75R30 - 163A8 - DT820, BSN C173
2	84429209	2	RIM, WHITE, 620/75R30 - 163A8 - DT820, ASN D174
2	748955	2	RIM, {PP:80748955}, 28LRX26 - 165A8 - STR-R-1
2	84036055	2	RIM, 36x32, 73X44.00 - 32 - 12PR(0), BSN C173
2	84429227	2	RIM, WHITE, 73X44.00 - 32 - 12PR(0), ASN D174
2	9515553	2	RIM, {PP:89515553}, 650/75R32 - 167A8 - DT820-R-1, BSN C173
2	84429210	2	RIM, WHITE, 650/75R32 - 167A8 - DT820-R-1, 650/75R32 - 167A8 - DT822-R-1, ASN D174
2	84429222	2	RIM, , 800/65 R32 - 172A8 - MICHELIN, ASN D194
3	397236	2	VALVE, PNEUMATIC, {PP:80397236}

09.25(01) STEERING WHEELS



WWW.KORMO.BY

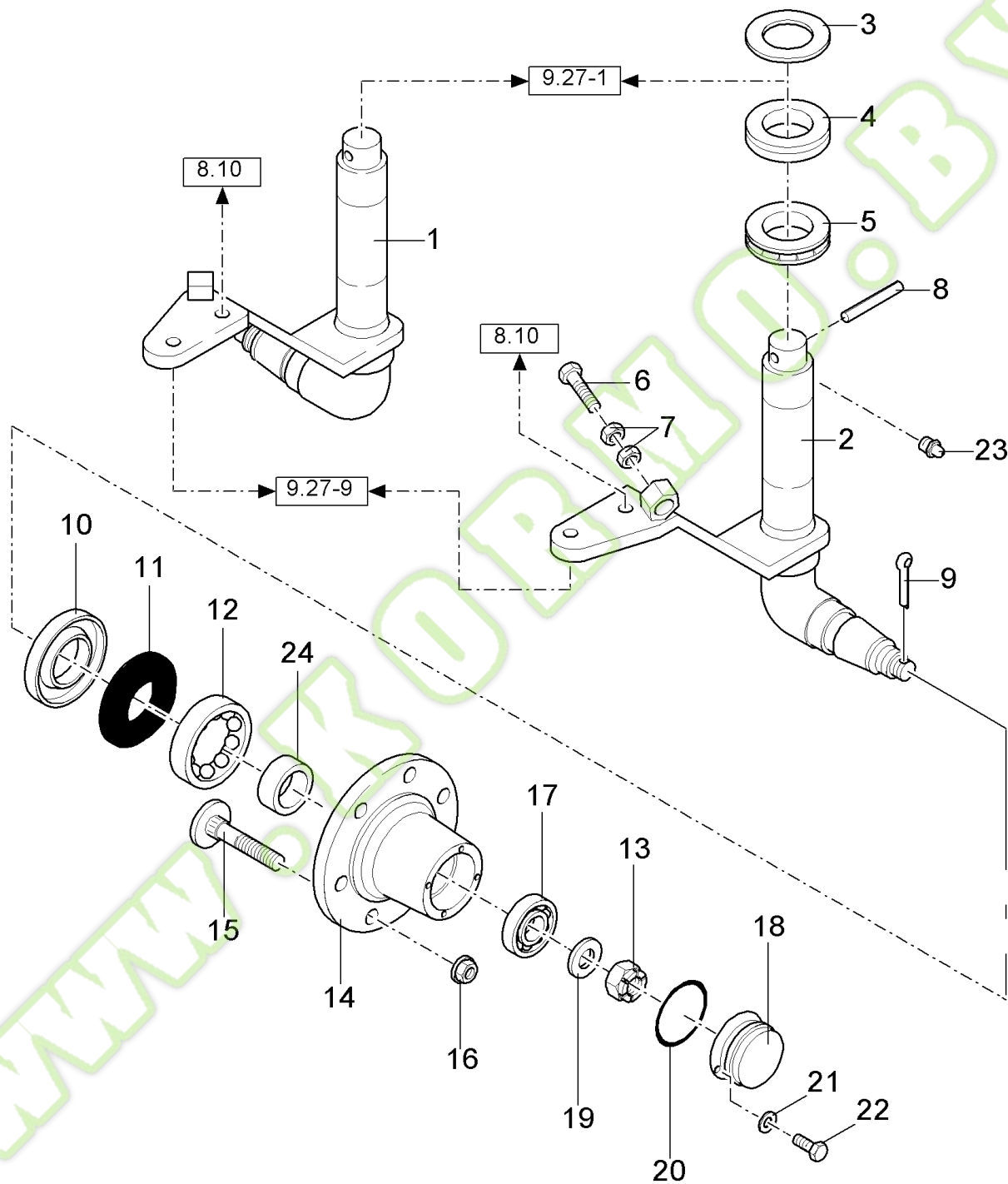
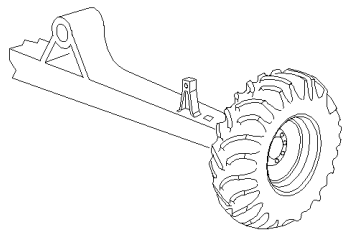


## FX48 SELF-PROPELLED FORAGE HARVESTER (9/98- )

## 09.25(01) STEERING WHEELS

Ref	Part Number	Qty	Description
1	445960	2	TYRE/TIRE, {PP:80445960} , FOR FX28 ONLY, 16.0X70X20 - 10PR - I3/ONLY WITH 2-WHEEL DRIVE
1	84014350	2	TYRE/TIRE, , 16.9R24 - 134A8 - STR/ONLY WITH 4-WHEEL DRIVE, BSN C127
1	9514625	2	TYRE/TIRE, {PP:89514625} , 17.5LRX24 - 150A8(460/70 R24 IND - 150A8) - STR/ONLY WITH 2-WHEEL DRIVE
1	9514625	2	TYRE/TIRE, {PP:89514625} , 17.5LRX24 - 150A8(460/70 R24 IND - 150A8) - STR/ONLY WITH 4-WHEEL DRIVE
1	84026457	2	TYRE/TIRE, , 540/65R24-146A8-DT820, NOT FOR ITALY AND GERMANY, ASN D156
1	84078785	2	TYRE/TIRE, , 480/70R24-138A8-DT810, ASN D128
1	84806567	2	TYRE/TIRE, , 540/65R24-140A8 MICHELIN, ASN D194
2	9835881	2	RIM, {PP:89835881} , FOR FX28 ONLY, 16.0X70X20 - 10PR - I3/ONLY WITH 2-WHEEL DRIVE, BSN C173
2	84429212	2	RIM, White, FOR FX28 ONLY, 16.0X70X20 - 10PR - I3/ONLY WITH 2-WHEEL DRIVE, ASN D174
2	84000120	2	RIM, , 16.9R24 - 134A8 - STR/ONLY WITH 4-WHEEL DRIVE, BSN C127
2	84000120	2	RIM, , 17.5LRX24 - 150A8(460/70 R24 IND - 150A8) - STR/ONLY WITH 4-WHEEL DRIVE, BSN C173
2	84429216	2	RIM, White, 17.5LRX24 - 150A8(460/70 R24 IND - 150A8) - STR/ONLY WITH 4-WHEEL DRIVE, ASN D174
2	84000120	2	RIM, , 540/65R24-146A8-DT820, NOT FOR ITALY AND GERMANY, BSN F156173
2	84429216	2	RIM, White, 540/65R24-146A8-DT820, NOT FOR ITALY AND GERMANY, ASN D174
2	84014987	2	RIM, , 17.5LRX24 - 150A8(460/70 R24 IND - 150A8) - STR/ONLY WITH 2-WHEEL DRIVE, BSN C173
2	84429217	2	RIM, White, 17.5LRX24 - 150A8(460/70 R24 IND - 150A8) - STR/ONLY WITH 2-WHEEL DRIVE, ASN D174
2	84000120	2	RIM, , 480/70R24-138A8-DT810, BSN F128173
2	84429216	2	RIM, , 480/70R24-138A8-DT810, ASN D174
2	84429216	2	RIM, , 540/65R24-140A8 MICHELIN, ASN D194
3	395448	2	VALVE, PNEUMATIC, {PP:80395448}

09.26(01) FIXED STEERING AXLE



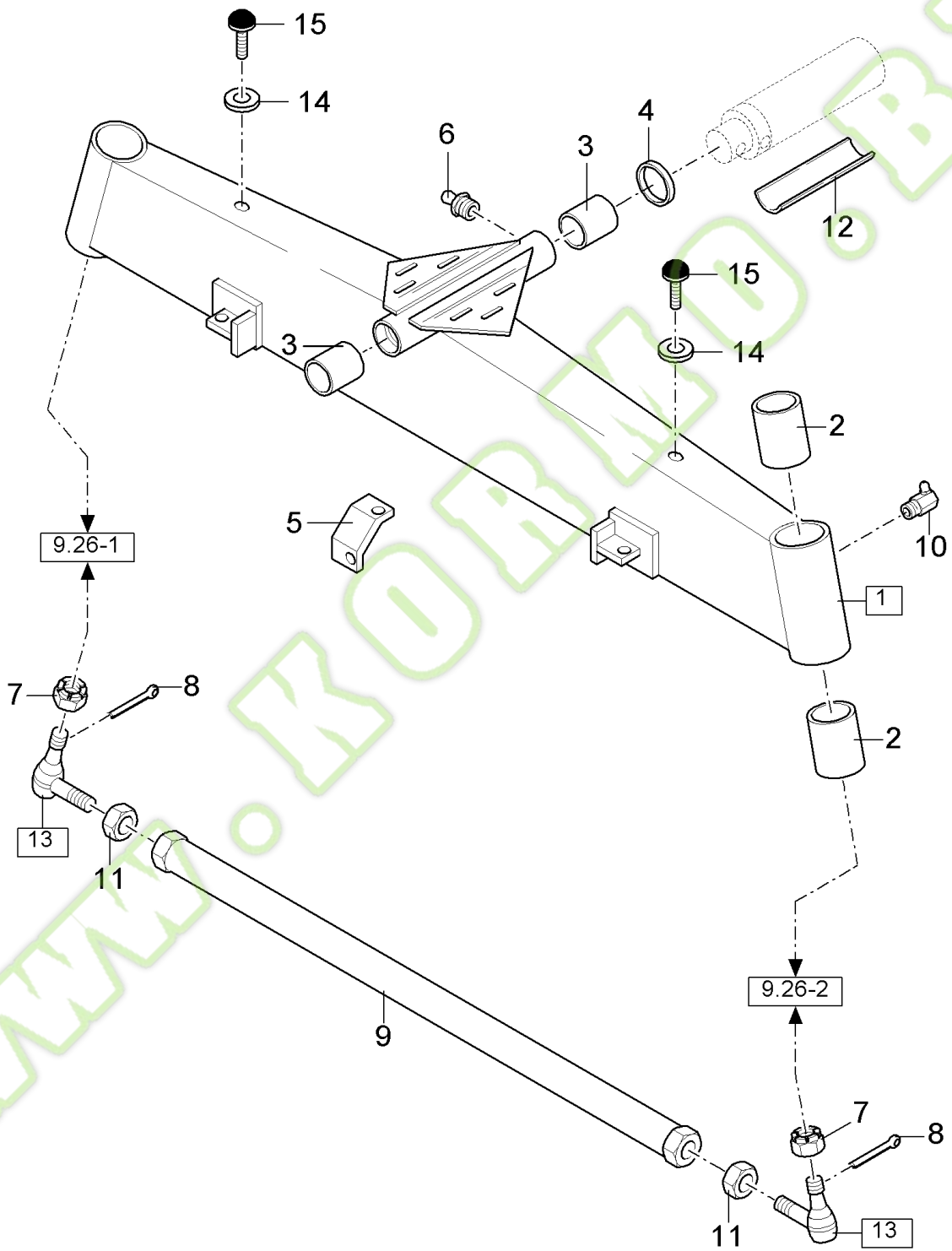
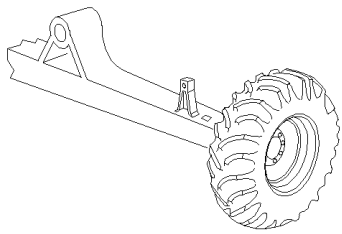
## FX48 SELF-PROPELLED FORAGE HARVESTER (9/98- )

## 09.26(01) FIXED STEERING AXLE

Ref	Part Number	Qty	Description
1	84002589	1	SPINDLE, RH, BSN C094
1	84074022	1	SPINDLE, RH, ASN D095
2	84002592	1	SPINDLE, LH, BSN C094
2	84074021	1	SPINDLE, LH, ASN D095
3	443076	2	WASHER, LOCK, {PP:80443076}
4	357732	2	BEARING, ROLLER CAGE, {PP:80357732}
5	301202	2	BEARING ASSY, {PP:80301202}
6	80337563	2	SCREW, M12x40
7	89706685	4	NUT, M12
8	62218	2	PIN, {PP:80062218} M10 x 75, Slotted,
9	130011	2	PIN, SPLIT (COTTER), {PP:80130011} M5 x 40,
10	357733	2	CAP, FLANGE COVER, {PP:80357733}
11	357240	2	ELEMENT, SEALING, {PP:80357240}
12	199955	2	BEARING, CUP, {PP:80199955}
13	309090	2	NUT, {PP:80309090} M24 x 1.5, CI 8, M24x1.5
14	9818542	2	HUB, {PP:89818542}
15	9835360	12	BOLT, {PP:89835360}
16	9817961	12	NUT, {PP:89817961} M14x1.5
17	9817852	2	BEARING ASSY, {PP:89817852}
18	743581	2	COVER, {PP:80743581}
19	378248	2	WASHER, {PP:80378248}
20	743583	2	ELEMENT, SEALING, {PP:80743583}
21	322357	8	WASHER, LOCK, {PP:80322357} Belleville, M6, Belleville, M6
22	86508568	8	SCREW, Hex, M6 x 16, 8.8, M6x16
23	323713	4	NIPPLE, LUBE, {PP:80323713}
24	199954	2	BEARING, CONE, {PP:80199954}



09.27(01) FIXED STEERING AXLE

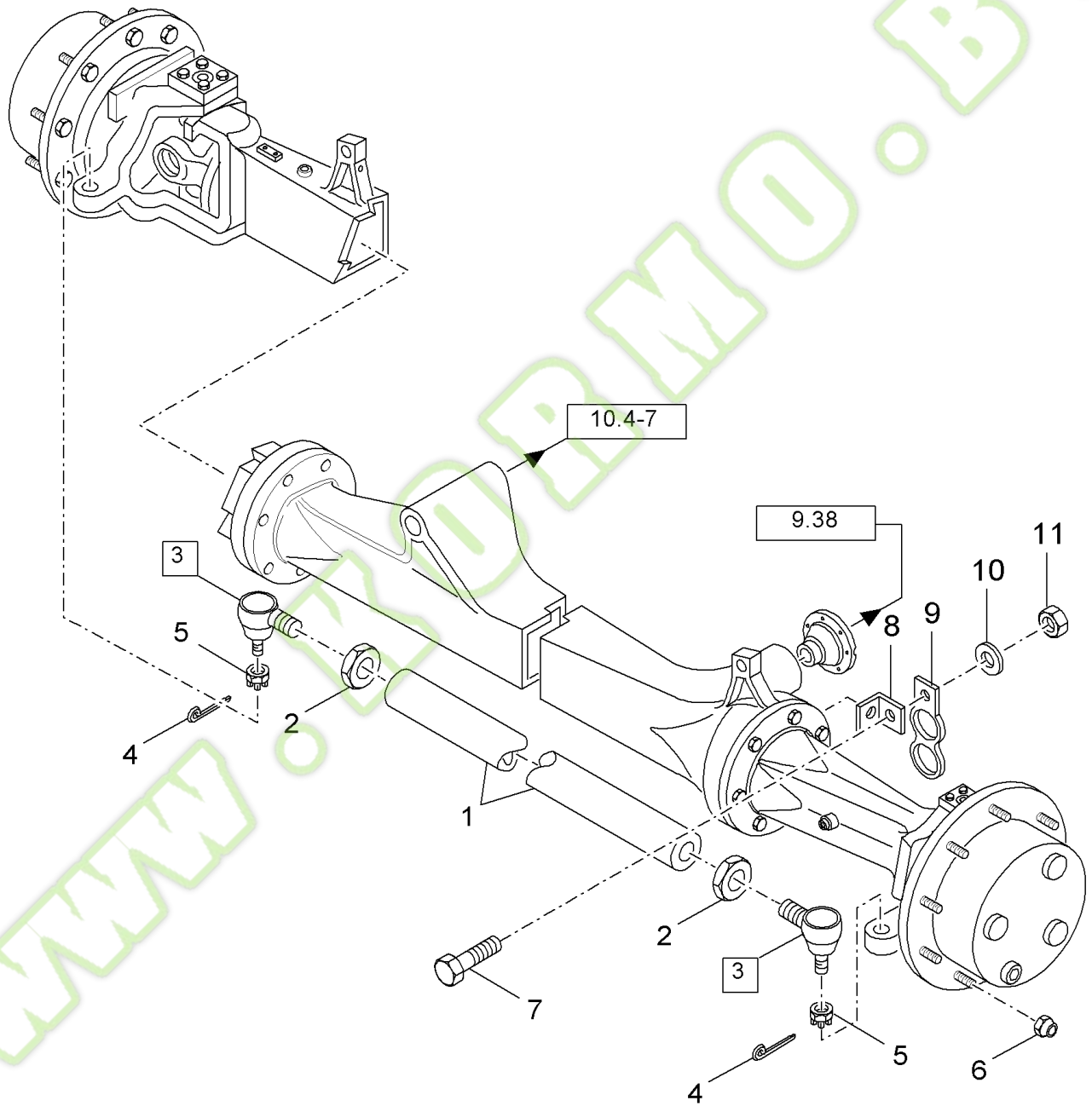
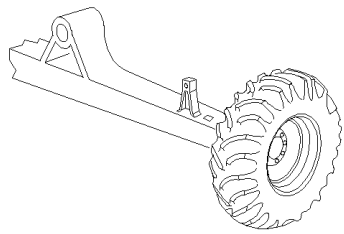


## FX48 SELF-PROPELLED FORAGE HARVESTER (9/98- )

## 09.27(01) FIXED STEERING AXLE

Ref	Part Number	Qty	Description
1	89812866	1	AXLE, FRONT, (2,3)
2	445369	4	SLEEVE, {PP:80445369} , BSN C094
2	84062271	4	BUSHING, , ASN D095
3	357500	2	SLEEVE, {PP:80357500}
4	84005527	AR	WASHER,
5	9593231	4	PLATE, COVER, {PP:89593231}
6	321204	1	NIPPLE, LUBE, {PP:80321204}
7	412103	2	NUT, {PP:80412103} M18x1.5
8	300595	2	PIN, SPLIT (COTTER), {PP:80300595} M4 x 40,
9	84002560	1	ROD,
10	323713	4	NIPPLE, LUBE, {PP:80323713}
11	331209	2	NUT, {PP:80331209} 13/16"-16, G2, 13/16"
12	84032751	1	PLATE,
13	9817315	2	BALL JOINT, {PP:89817315} (7,8)
14	190029	2	INSULATOR BLOCK, {PP:80190029}
15	443076	2	WASHER, LOCK, {PP:80443076}

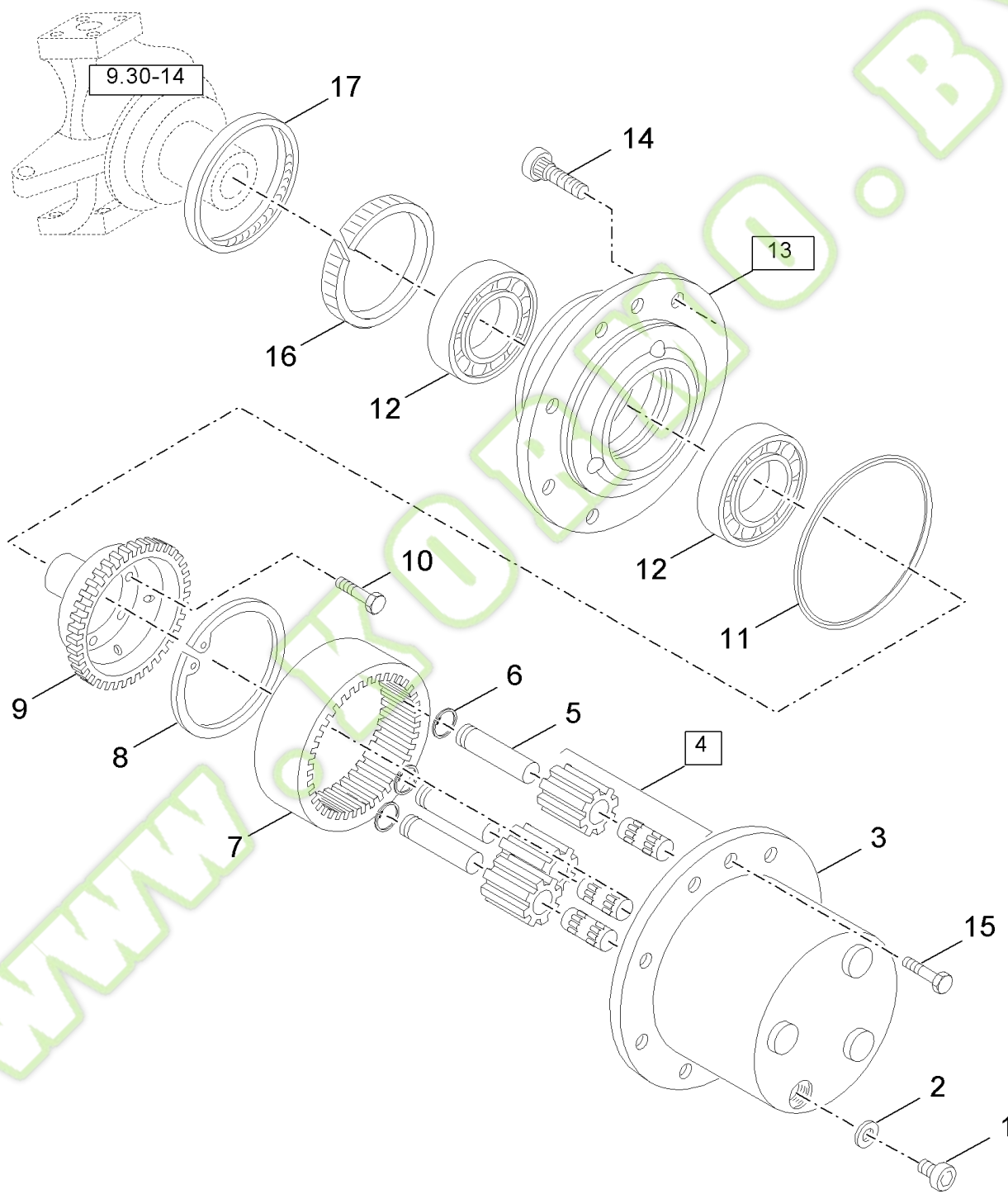
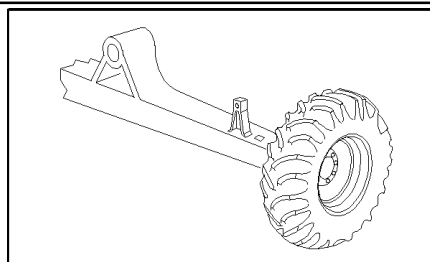
WWW.KORMO.BY



## FX48 SELF-PROPELLED FORAGE HARVESTER (9/98- )

## 09.28(01) MECHANICAL 4-WHEEL DRIVE, AXLE

Ref	Part Number	Qty	Description
	84004882	1	AXLE, REAR, Incl. figs. 9.28 (1 to 6) to 9.34, BSN C173
	84400957	1	AXLE, REAR, Incl. figs. 9.28 (1 to 6) to 9.34, ASN D174
1	84021765	1	ROD,
2	300852	2	NUT, {PP:80300852} M30 x 1.5, CI 8, M30x1.5
3	84021766	2	BALL JOINT, (4,5)
4	300595	4	PIN, SPLIT (COTTER), {PP:80300595} M4 x 40, D=4x36
5	412144	4	SLOTTED NUT, {PP:80412144} M20 x 1.5, CI 8, M20x1.5
6	748960	16	NUT, {PP:80748960} M18x1.5
7	80120104	1	SCREW, M8x20
8	84036665	1	SUPPORT,
9	711051	1	CLAMP, {PP:80711051}
10	322358	1	WASHER, LOCK, {PP:80322358} Belleville, M8,
11	100015	1	NUT, {PP:80100015} M8, CI 8, M8



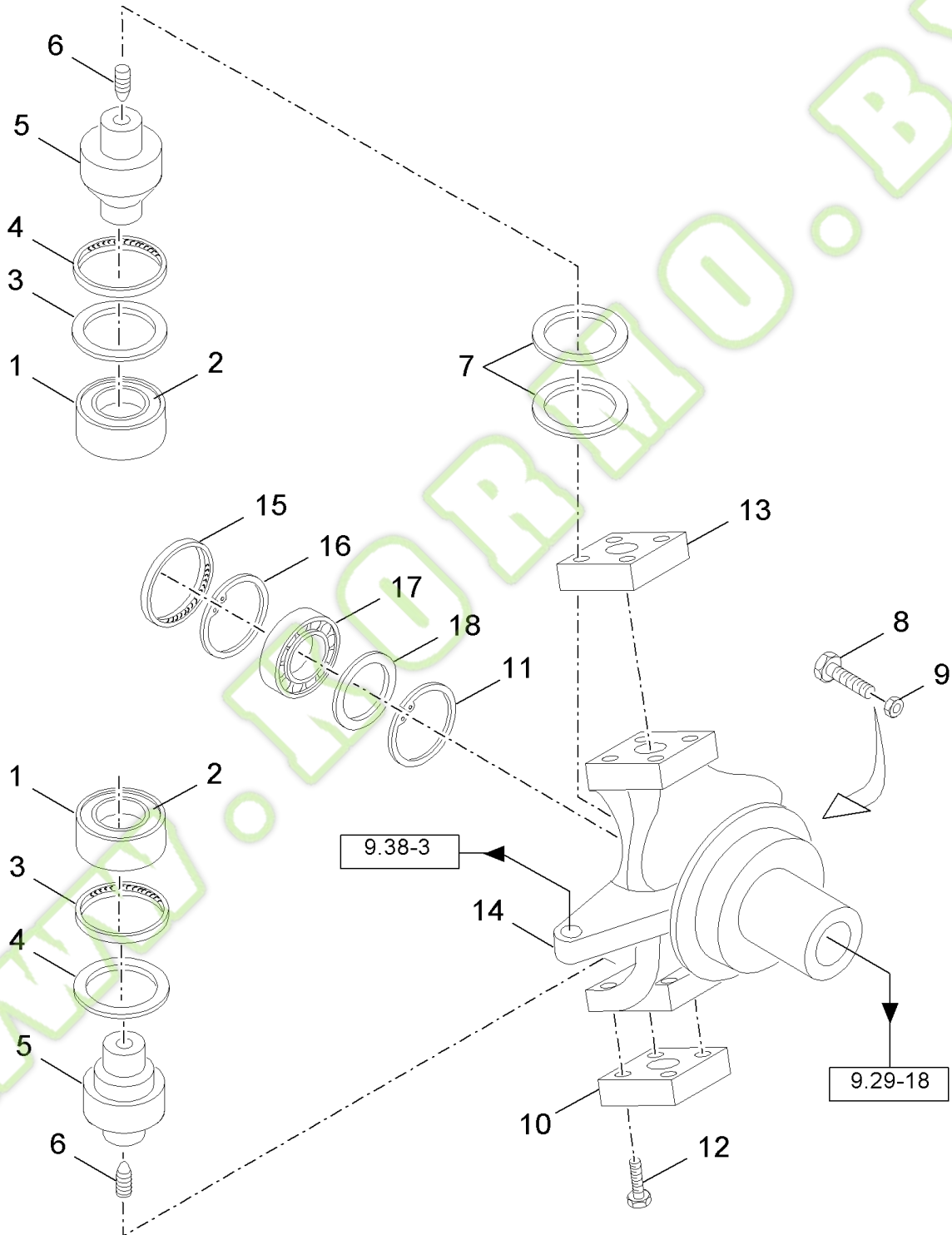
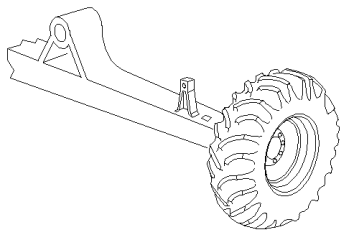
## FX48 SELF-PROPELLED FORAGE HARVESTER (9/98- )

## 09.29(01) MECHANICAL 4-WHEEL DRIVE, AXLE

Ref	Part Number	Qty	Description
1	84021767	1	PLUG,
2	84021768	1	RING,
3	84021769	1	HUB,
4	84021770	3	GEAR SET,
5	84021771	3	PIN,
6	84021772	3	CIRCLIP,
7	84021773	1	GEAR,
8	84021774	1	CIRCLIP,
9	84021775	1	GEAR,
10	84045865	12	SCREW, M10x35
11	84021776	1	O-RING,
12	84021777	2	BEARING ASSY,
13	84053095	1	HUB, (14)
14	84021779	8	BOLT,
15	300441	2	SCREW, {PP:80300441} M10x20
16	84053072	1	GASKET,
17	84053096	1	COVER,

WWW.KORMO.BY

09.30(01) MECHANICAL 4-WHEEL DRIVE, AXLE



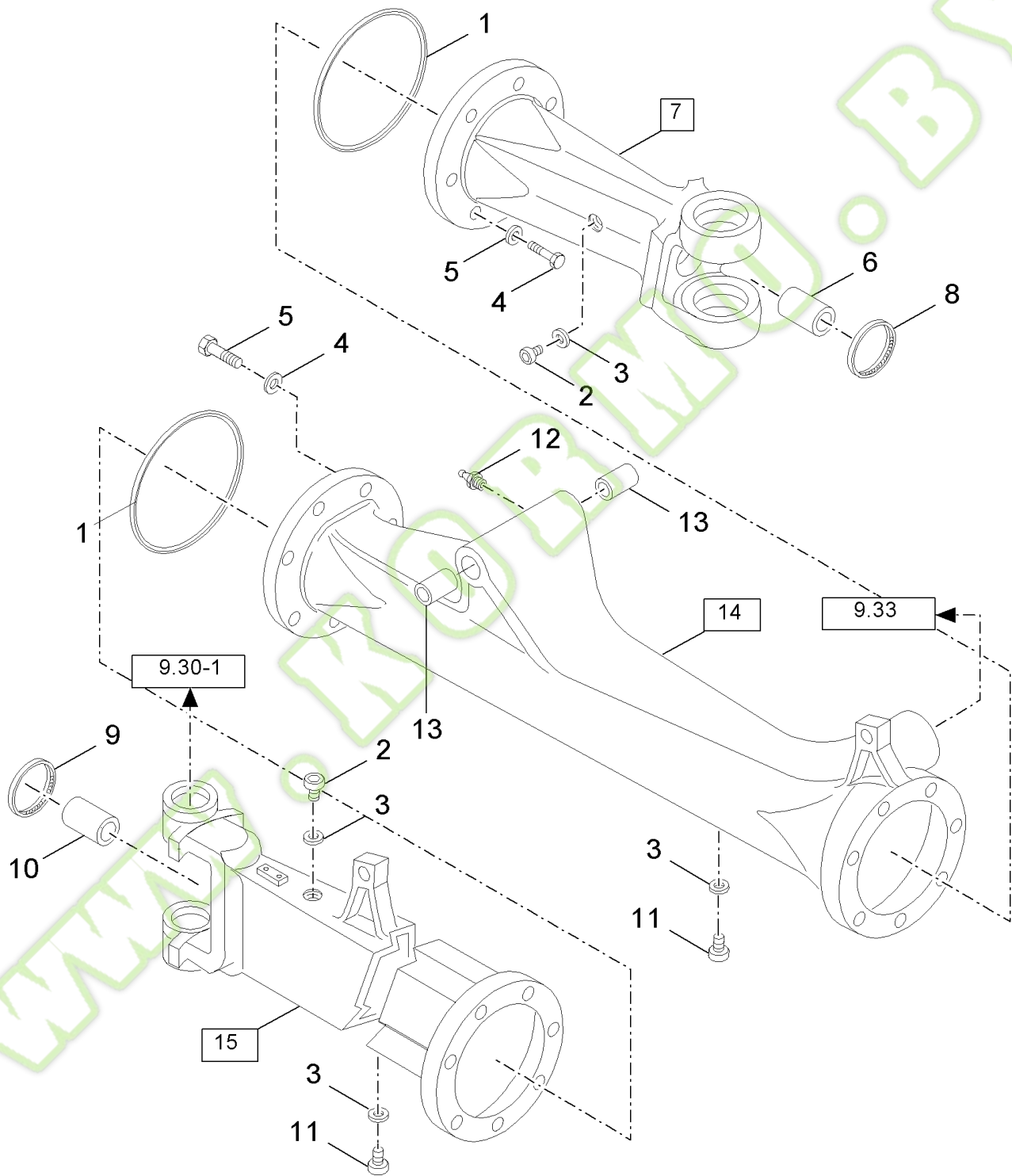
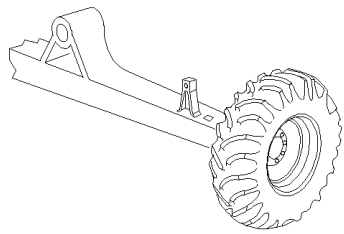
## FX48 SELF-PROPELLED FORAGE HARVESTER (9/98- )

## 09.30(01) MECHANICAL 4-WHEEL DRIVE, AXLE

Ref	Part Number	Qty	Description
1	84021785	2	CUP,
2	84021784	2	BEARING, CONE,
3	84021786	2	RING,
4	84021787	2	RING,
5	84021788	2	SPINDLE,
6	300480	4	SCREW, {PP:80300480} Hex Soc, M10 x 12, Cup Pt, M10x12
7	84021789	AR	PLATE, ADJUSTING, THK.:0.5MM
7	84021790	AR	PLATE, ADJUSTING, THK.:0.2MM
8	120090	1	SCREW, {PP:80120090} Hex, M16 x 50, 8.8, Hex, M16 x 50, 8.8
9	331192	1	NUT, {PP:80331192} M16 x 1.5, CI 8, M16x1.5
10	84021791	1	PLATE, COVER,
11	370008	1	CIRCLIP, {PP:80370008} (50X2)
12	80337563	8	SCREW, M12x40
13	84021792	1	PLATE, COVER,
14	84053097	1	HOUSING, LH
14	84053090	1	HOUSING, RH
15	84021795	1	RING,
16	80300633	1	RING, SNAP, (80x2.5)
17	84021796	1	BEARING ASSY,
18	84021797	1	PLATE, ADJUSTING,



09.31(01) MECHANICAL 4-WHEEL DRIVE, AXLE

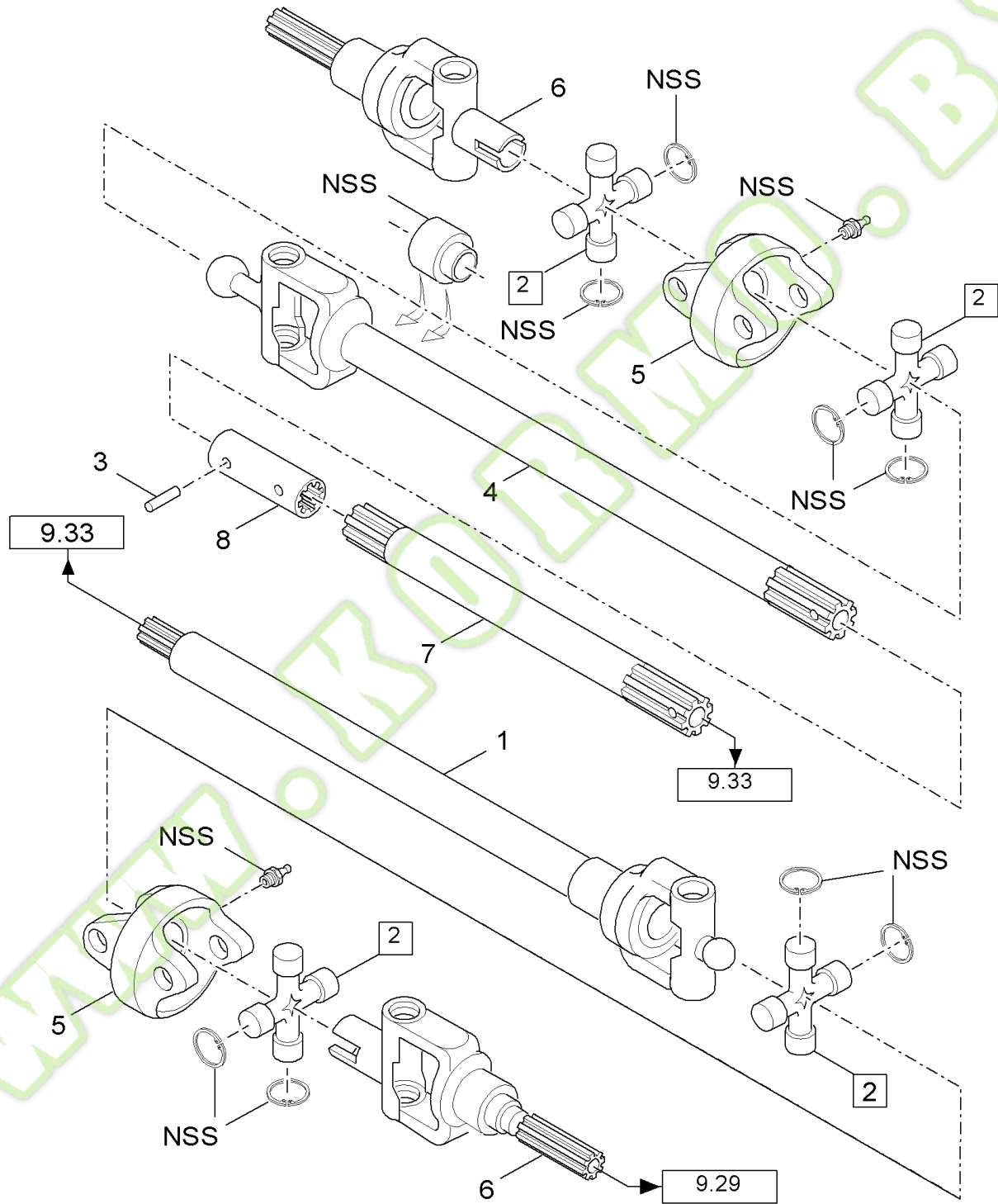
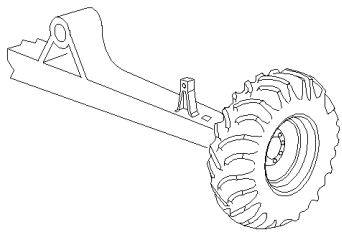


## FX48 SELF-PROPELLED FORAGE HARVESTER (9/98- )

## 09.31(01) MECHANICAL 4-WHEEL DRIVE, AXLE

Ref	Part Number	Qty	Description
1	84021776	2	O-RING,
2	84021799	2	PLUG,
3	84021768	4	RING,
4	86523012	22	BOLT, Hex, M14 x 60, 8.8, Hex, M14 x 60, 8.8
5	140047	22	WASHER, LOCK, {PP:80140047} 14MM
6	84021801	1	BUSHING,
7	84021802	1	HOUSING, BEARING, (1 to 3,6)
8	84021803	1	RING,
9	84021795	1	RING,
10	84021805	1	BUSHING,
11	84021767	2	PLUG,
12	332038	1	NIPPLE, LUBE, {PP:80332038}
13	84053094	2	BUSHING,
14	84053091	1	AXLE, REAR, (10 to 13)
15	84053092	1	AXLE, REAR, (2,3,11)

09.32(01) MECHANICAL 4-WHEEL DRIVE, AXLE



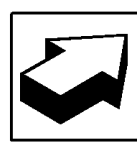
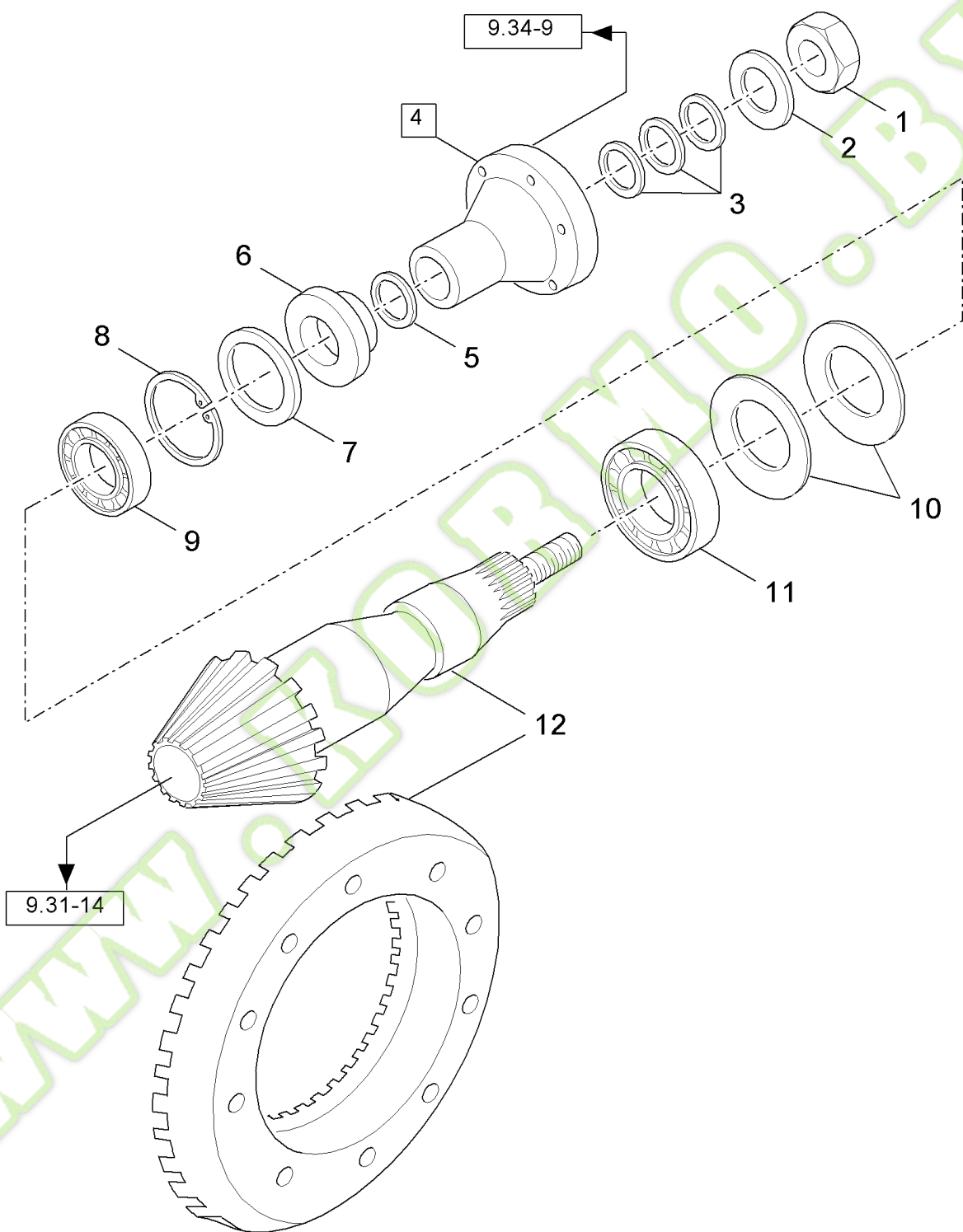
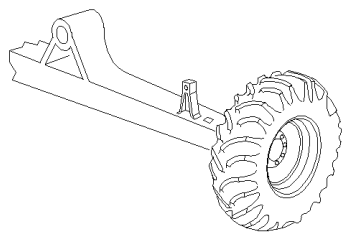
## FX48 SELF-PROPELLED FORAGE HARVESTER (9/98- )

## 09.32(01) MECHANICAL 4-WHEEL DRIVE, AXLE

Ref	Part Number	Qty	Description
1	84021809	1	SHAFT, CONTROL,
2	84021810	4	SPIDER, (NSS)
3	86977791	2	PIN, ROLL, M8 x 45, Slotted,
4	84053098	1	SHAFT, CONTROL,
5	84021811	1	YOKE,
6	84021812	1	SHAFT, CONTROL,
7	84021813	1	SHAFT, CONTROL,
8	84021814	1	CONNECTOR, HYD.,

WWW.KORMO.BY

09.33(01) MECHANICAL 4-WHEEL DRIVE, AXLE

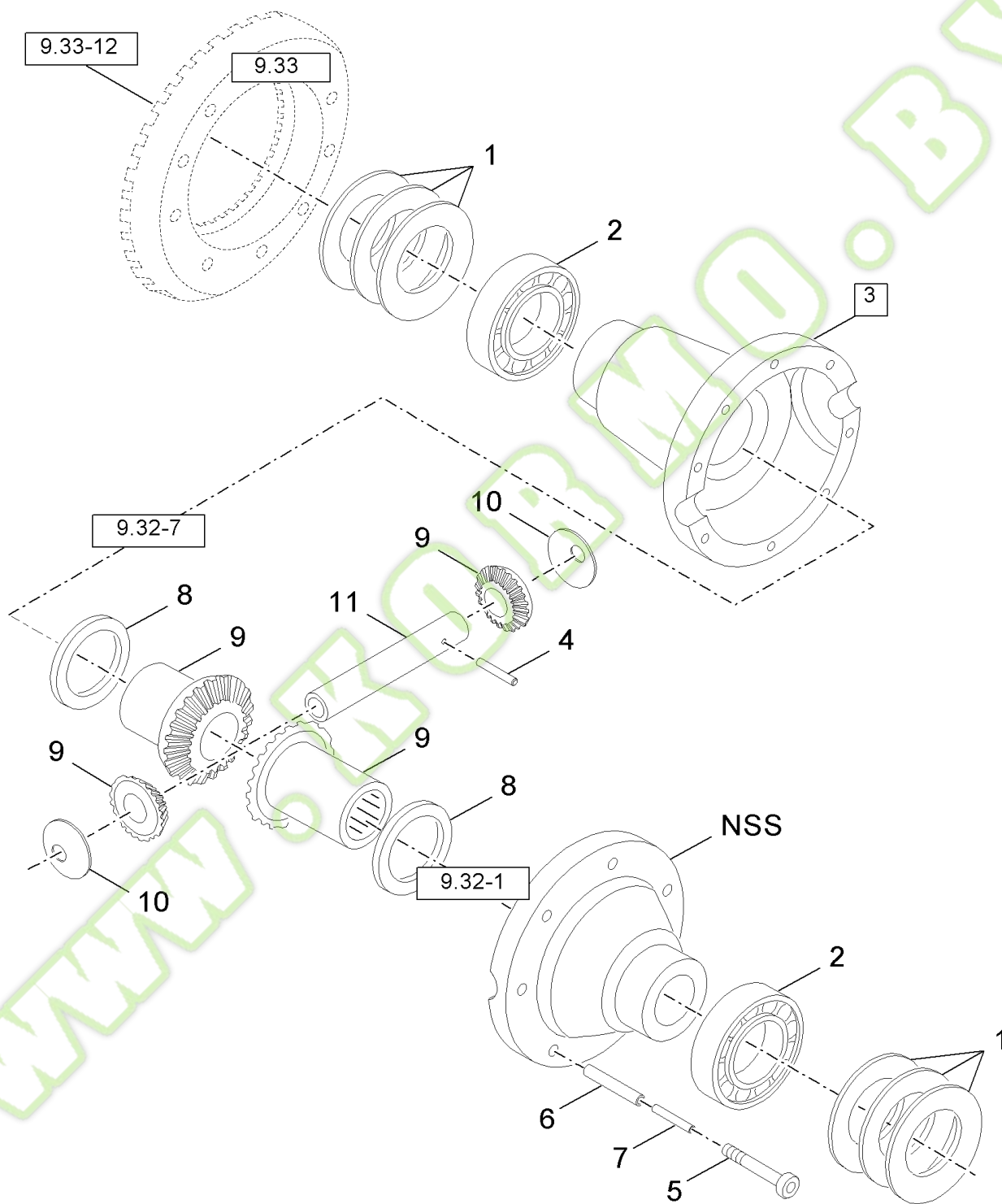
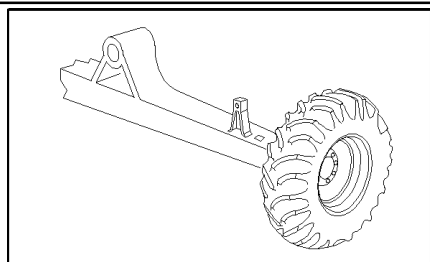


## FX48 SELF-PROPELLED FORAGE HARVESTER (9/98- )

## 09.33(01) MECHANICAL 4-WHEEL DRIVE, AXLE

Ref	Part Number	Qty	Description
1	84015548	1	NUT, M20 x 1.5, CI 8.8, M20x1.5
2	84021816	1	WASHER,
3	84021817	AR	PLATE, ADJUSTING, THK.:0.5MM
3	84021818	AR	PLATE, ADJUSTING, THK.:0.2MM
3	84021819	AR	PLATE, ADJUSTING, THK.:0.1MM
4	84021820	1	FLANGE, (6)
5	84021821	1	O-RING,
6	84021822	1	CAP, WASHER,
7	84021823	1	ELEMENT, SEALING,
8	370013	1	RING, SNAP, {PP:80370013}
9	84021824	1	BEARING ASSY,
10	84021825	AR	PLATE, ADJUSTING, THK.:0.5MM
10	84021826	AR	PLATE, ADJUSTING, THK.:0.2MM
11	84021827	1	BEARING ASSY,
12	84021828	1	GEAR SET,

WWW.KORMO.BY

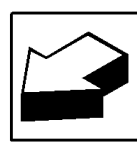
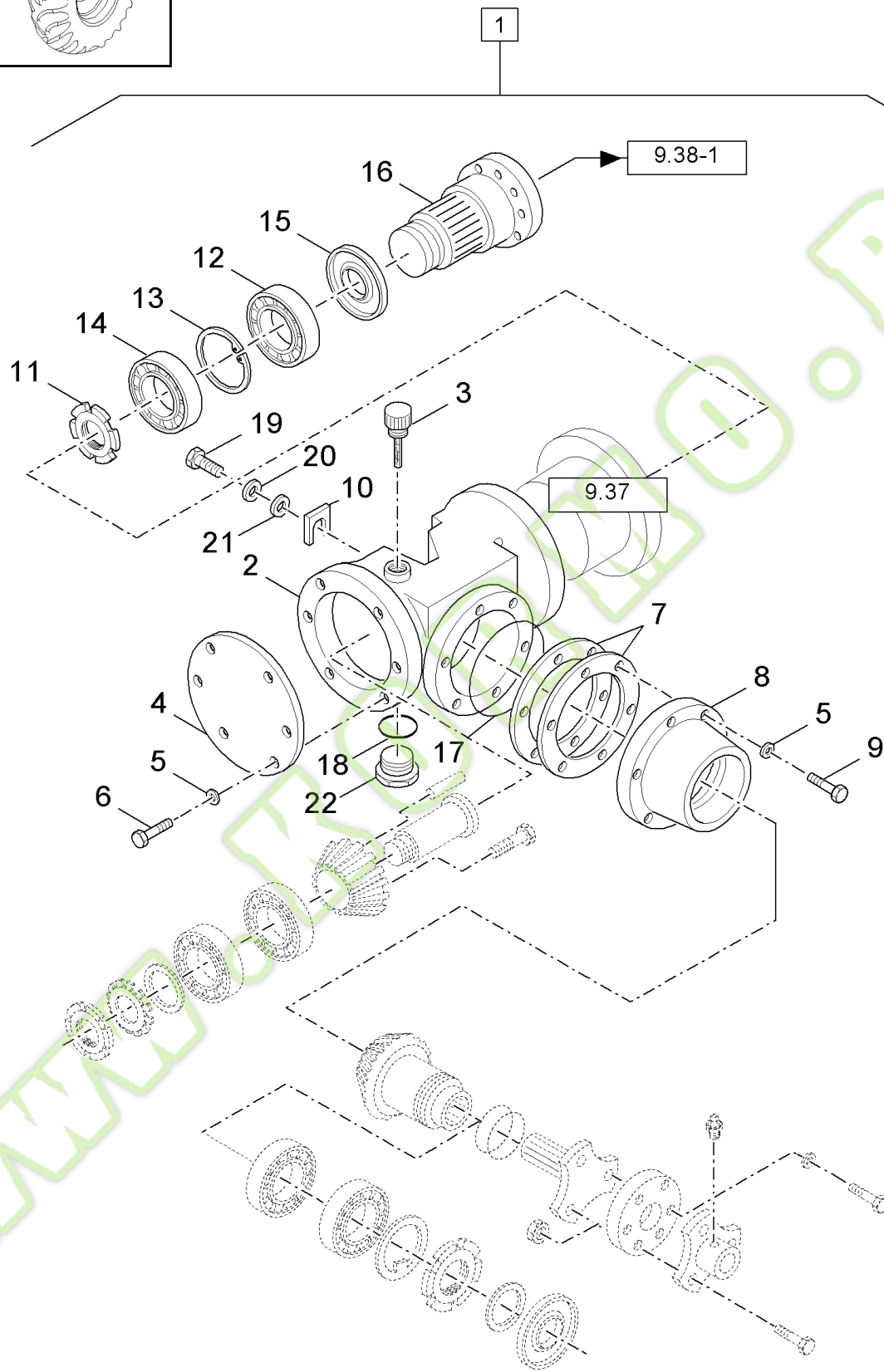
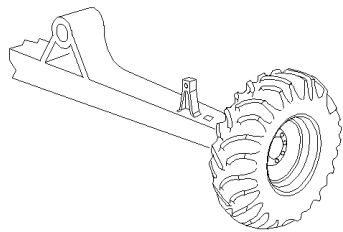


## FX48 SELF-PROPELLED FORAGE HARVESTER (9/98- )

## 09.34(01) MECHANICAL 4-WHEEL DRIVE, AXLE

Ref	Part Number	Qty	Description
	84021837	1	GEAR SET, (8 to 12)
	84021838	1	DIFFERENTIAL, (3,8 to 12)
1	84021829		AR PLATE, ADJUSTING, THK.:0.5MM
1	84021830		AR PLATE, ADJUSTING, THK.:0.2MM
1	84021831		AR PLATE, ADJUSTING, THK.:0.1MM
2	84053093	2	BEARING ASSY,
3	84021962	1	HOUSING, (4 to 7)
4	130045	1	PIN, {PP:80130045} M5 x 26, Slotted,
5	412412	12	SCREW, {PP:80412412} Hex Soc Hd, M10 x 60, 8.8, M12x60
6	14610270	4	PIN, ROLL, M10 x 45, Slotted,
7	80412660	4	PIN, ROLL,
8	84021833	2	WASHER,
9	84021834	1	GEAR, BEVEL,
10	84021835	1	WASHER,
11	84021836	1	SPINDLE,

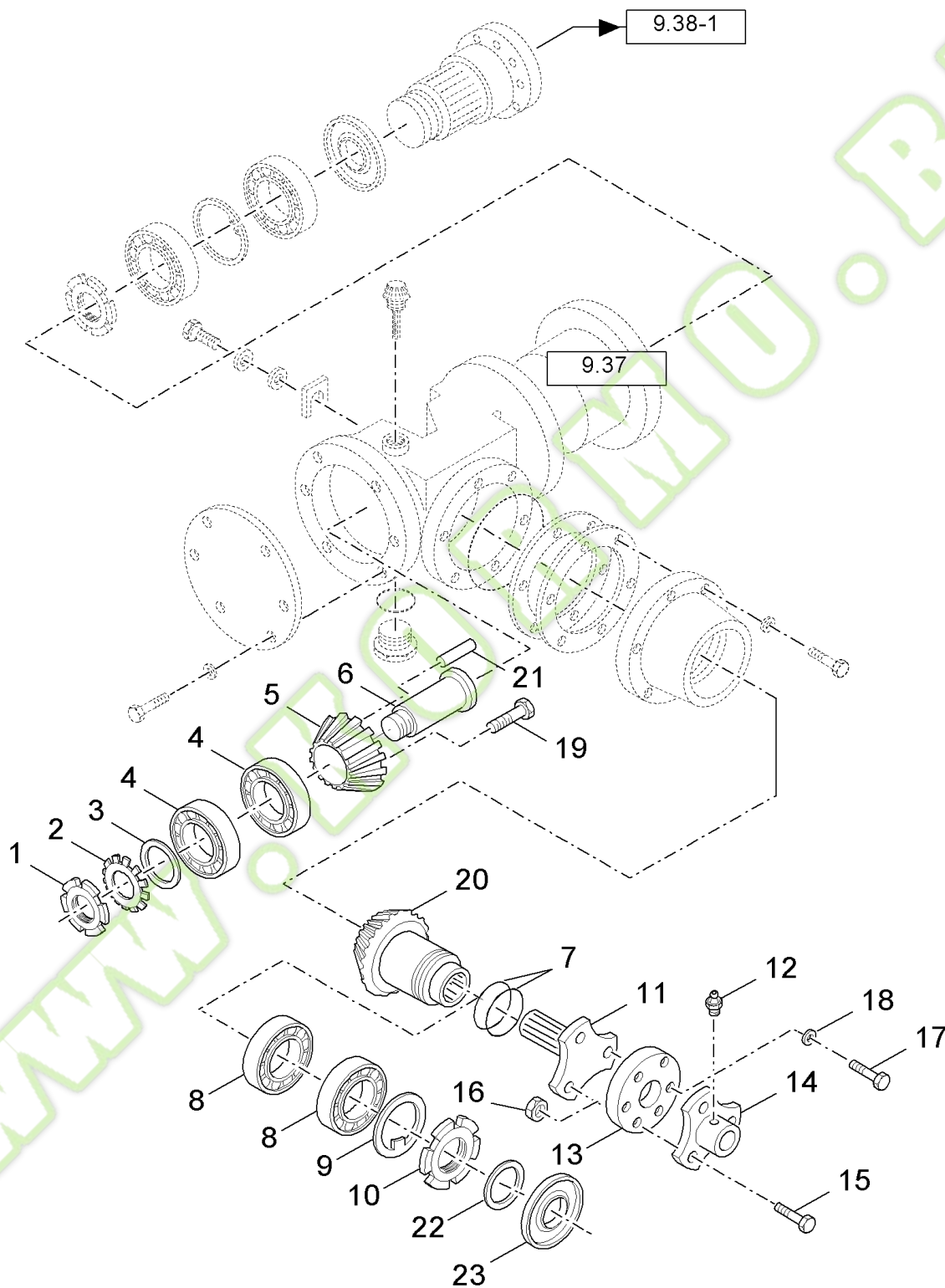
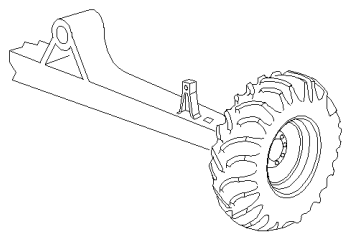




## FX48 SELF-PROPELLED FORAGE HARVESTER (9/98- )

## 09.35(01) MECHANICAL 4-WHEEL DRIVE, GEARBOX

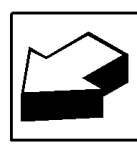
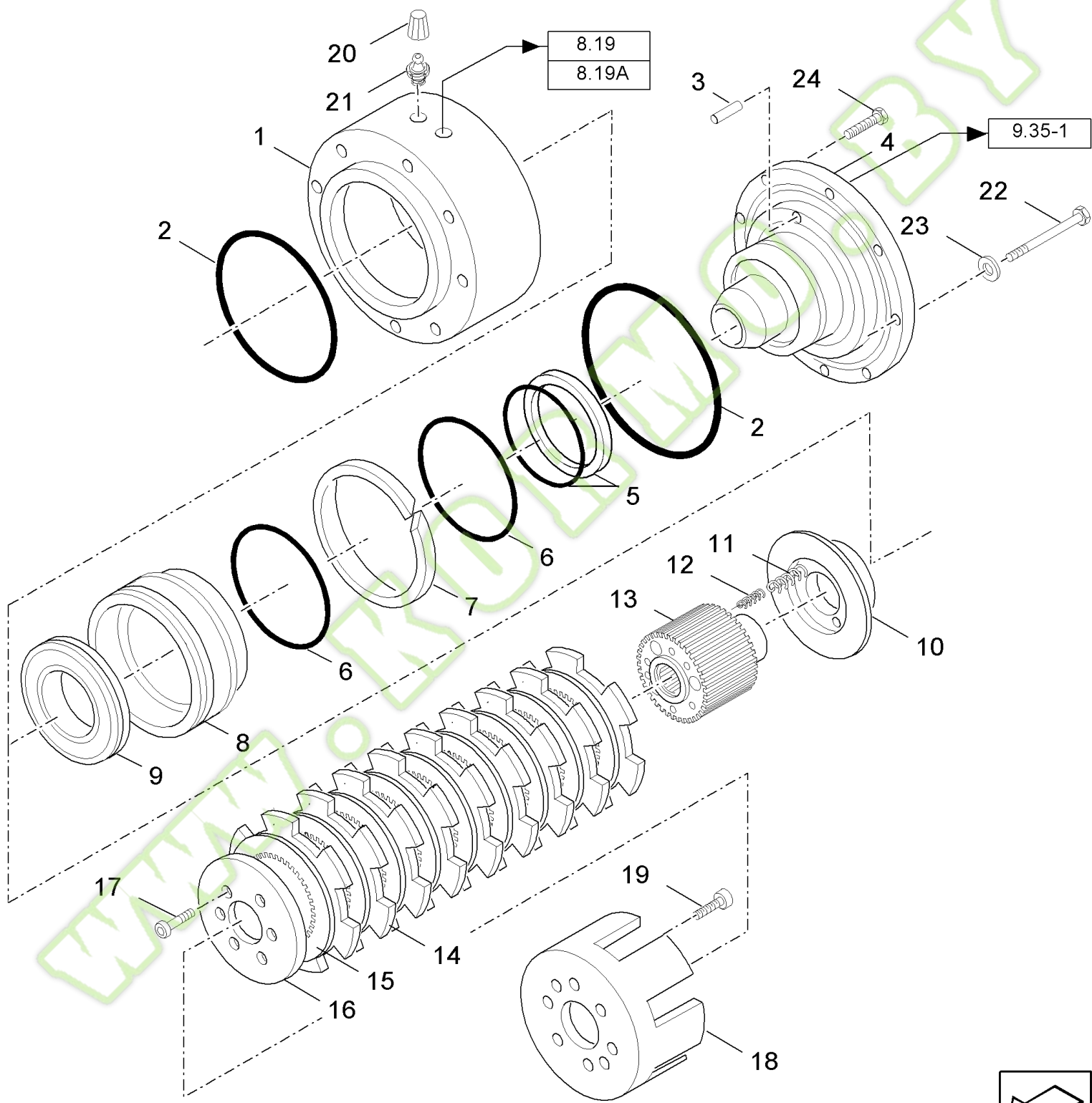
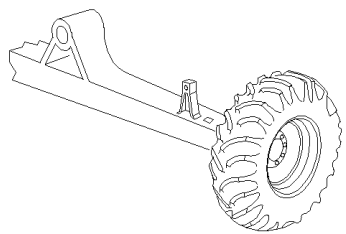
Ref	Part Number	Qty	Description
1	84030374	1	GEARBOX, (2 to 22, Fig.09.36 and 09.37)
2	84007400	1	HOUSING,
3	84041252	1	INDICATOR,
4	84011649	1	COVER,
5	322358	12	WASHER, LOCK, {PP:80322358} Belleville, M8, 8MM
6	80120104	6	SCREW, M8x70
7	84011768	AR	SHIM, THK.:0.15MM
7	84011769	AR	SHIM, THK.:0.20MM
7	84011770	AR	SHIM, THK.:0.30MM
8	84022864	1	FLANGE,
9	43127	6	BOLT, {PP:80043127} Hex, M8 x 25, 8.8, M8x25
10	84023895	AR	SHIM,
10	86622604	AR	SHIM, THK.:0.6MM
10	48689	AR	SHIM, {PP:80048689} THK.:0.6MM
11	412351	1	NUT, {PP:80412351} M35x1.5
12	84036339	1	BEARING ASSY,
13	382103	1	CIRCLIP, {PP:80382103}
14	84438713	1	BEARING ASSY,
15	84036438	1	RING,
16	84036333	1	SHAFT,
17	84022826	1	O-RING,
18	220049	1	GASKET, {PP:80220049}
19	80337563	4	SCREW, M12x40
20	140046	4	WASHER, LOCK, {PP:80140046} Belleville, M12, 12MM
21	80395606	4	WASHER,
22	366298	1	PLUG, DRAIN, {PP:80366298}



## FX48 SELF-PROPELLED FORAGE HARVESTER (9/98- )

## 09.36(01) MECHANICAL 4-WHEEL DRIVE, GEARBOX

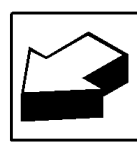
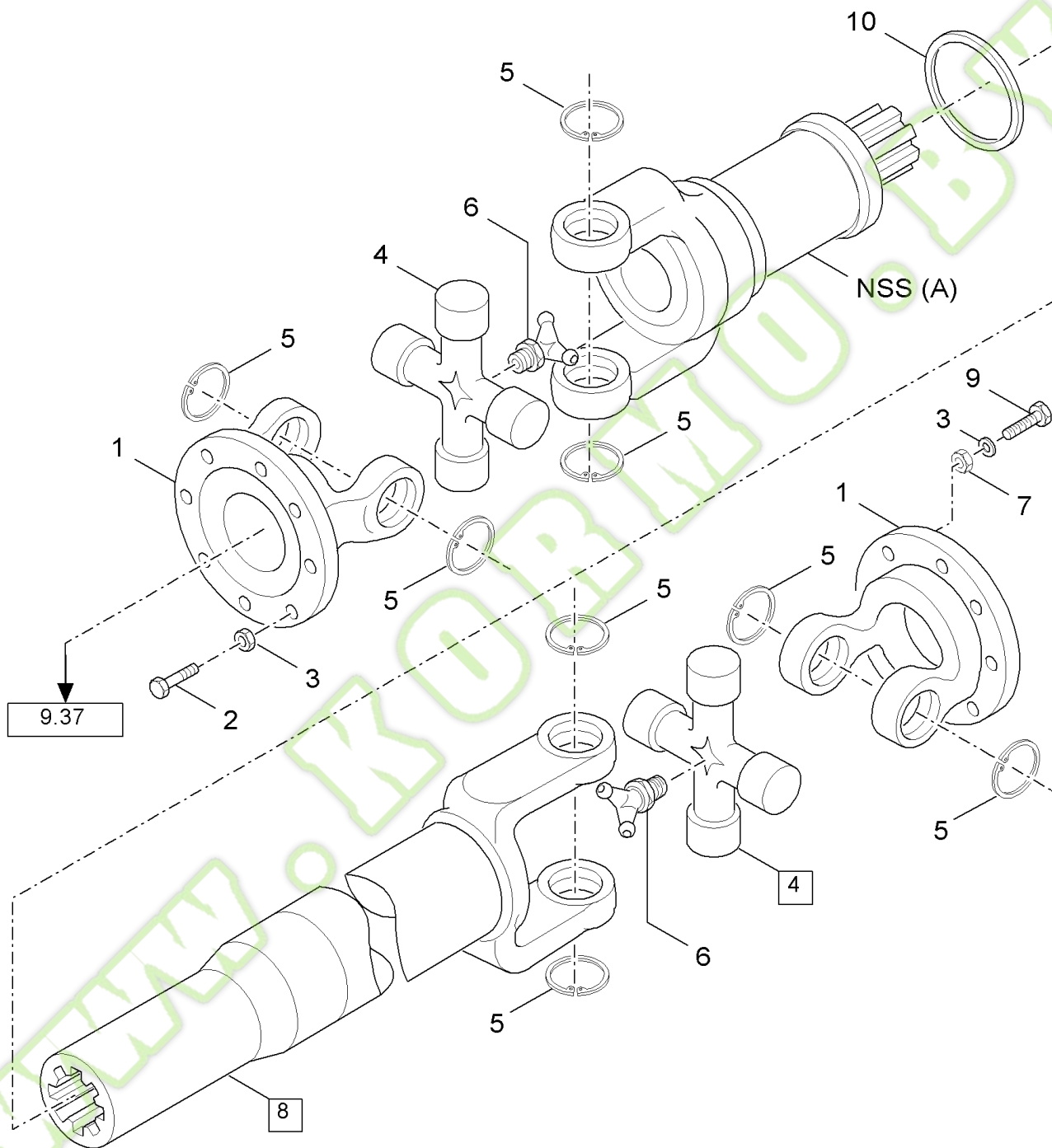
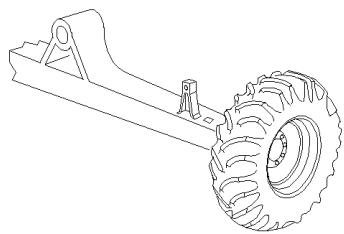
Ref	Part Number	Qty	Description
1	80394922	1	NUT, M30x1.5
2	84037274	1	WASHER, LOCK,
3	84037279	1	WASHER,
4	80564362	2	BEARING ASSY,
5	84032469	1	GEAR,
6	84036330	1	SPINDLE,
7	84037188	2	O-RING,
8	853116	2	BEARING ASSY, {PP:80853116}
9	37426	1	WASHER, LOCK, {PP:80037426}
10	534970	1	NUT, {PP:80534970} M55x1.5
11	84036331	1	SHAFT,
12	321204	1	NIPPLE, LUBE, {PP:80321204}
13	80447341	1	JOINT, UNIVERSAL,
14	84022828	1	FLANGE,
15	120122	3	SCREW, {PP:80120122} Hex, M12 x 50, 8.8, Full Thd, M12x50
16	100038	3	NUT, LOCK, {PP:80100038} M12 x 1.75, Cl 8, M12
17	80337563	3	SCREW, M12x40
18	140046	3	WASHER, LOCK, {PP:80140046} Belleville, M12, 12MM
19	84012852	6	SCREW, Hex Soc Hd, M8 x 16, 8.8, M8x16
20	84022877	1	GEAR,
21	84036329	2	PIN,
22	84036328	1	RING,
23	84022860	1	GASKET,



## FX48 SELF-PROPELLED FORAGE HARVESTER (9/98- )

## 09.37(01) MECHANICAL 4-WHEEL DRIVE, CLUTCH

Ref	Part Number	Qty	Description
	84036532	1	CLUTCH, (1 to 19)
1	84036641	1	HOUSING,
2	84021842	2	O-RING,
3	84032150	2	PIN,
4	84036644	1	HUB,
5	84036647	1	RING, , O-RING INSIDE SQUARE RING
6	84036645	2	RING,
7	84036648	1	RING,
8	84036642	1	HUB,
9	84036650	1	BEARING ASSY,
10	84036643	1	HUB,
11	84021850	9	SPRING,
12	84021851	9	SPRING,
13	84036640	1	ROTOR,
14	84021853	7	DISC,
15	84021854	8	DISC,
16	84021855	1	FLANGE,
17	84036646	6	SCREW, M5x20
18	84021856	1	HOUSING,
19	43127	2	BOLT, {PP:80043127} Hex, M8 x 25, 8.8, M8x25
20	9835349	1	CAP, INTRODUCTION, {PP:89835349}
21	9832308	1	PLUG, {PP:89832308}
22	120064	8	SCREW, {PP:80120064} Hex, M8 x 90, 8.8, M8x90
23	322358	8	WASHER, LOCK, {PP:80322358} Belleville, M8,
24	80120104	2	SCREW, M8x20



## FX48 SELF-PROPELLED FORAGE HARVESTER (9/98- )

## 09.38(01) MECHANICAL 4-WHEEL DRIVE, POWER TAKE-OFF

Ref	Part Number	Qty	Description
	84004978	1	SHAFT, PTO, (1,4 to 10)
1	84021857	2	FLANGE,
2	43139	8	SCREW, {PP:80043139} Hex, M10 x 25, 8.8, Full Thd, M10x25
3	140045	16	WASHER, LOCK, {PP:80140045} Belleville, M10, 10MM
4	84021858	2	SPIDER, (5,6)
5	84031951	8	CIRCLIP,
6	84039155	2	NIPPLE, LUBE,
7	100016	8	NUT, {PP:80100016} M10, CI 8, M10
8	84031952	1	SHAFT, (A)
9	43140	8	BOLT, {PP:80043140} Hex, M10 x 30, 8.8, M10x30
10	84045266	1	ELEMENT, SEALING,

WWW.KORMO.BY



SECTIONS

SECTIONS

SECCIONES

AFSNIT

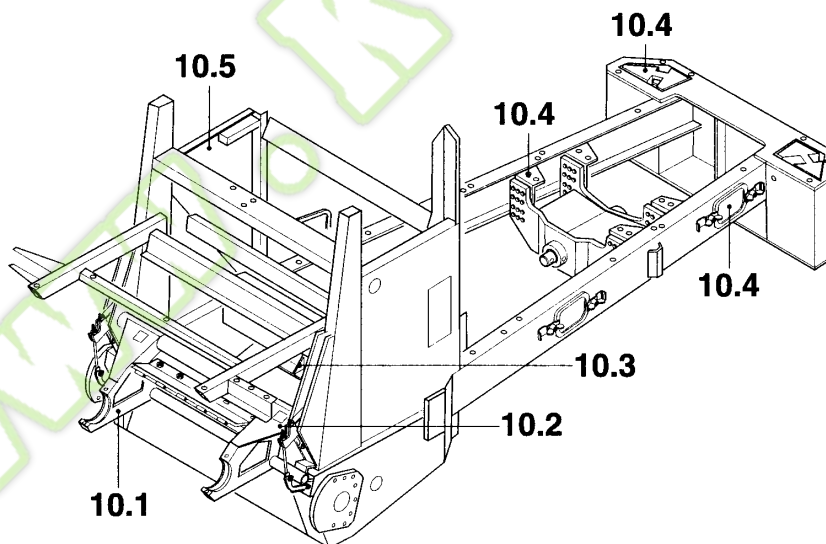
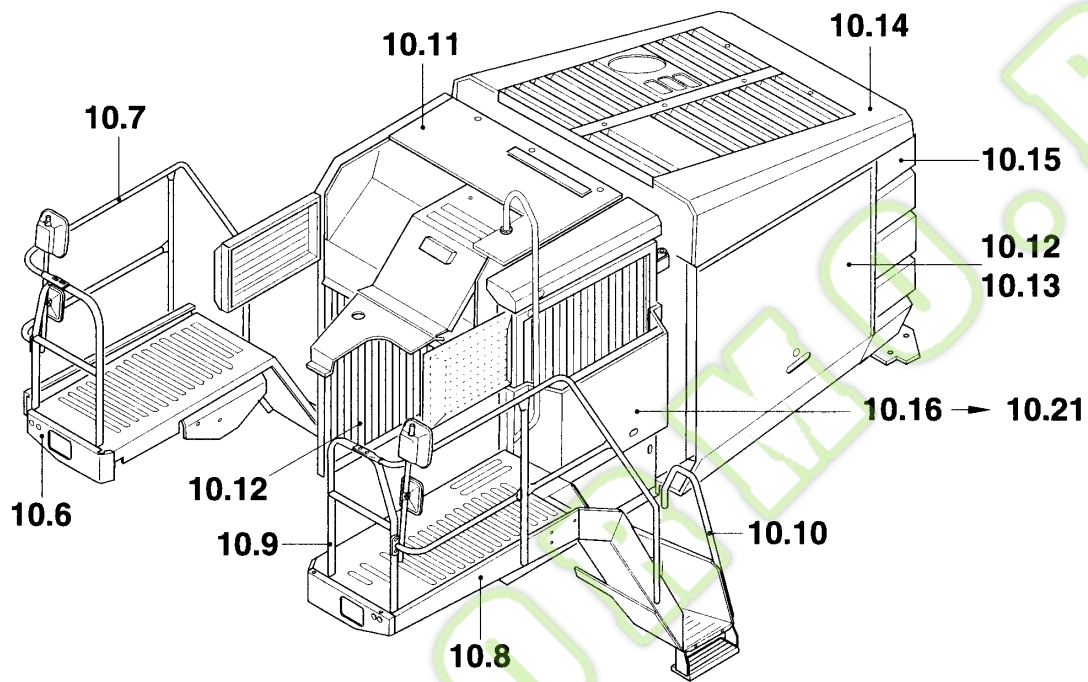
SEZIONI

ABSCHNITTE

SECÇÕES

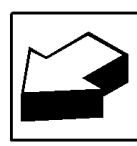
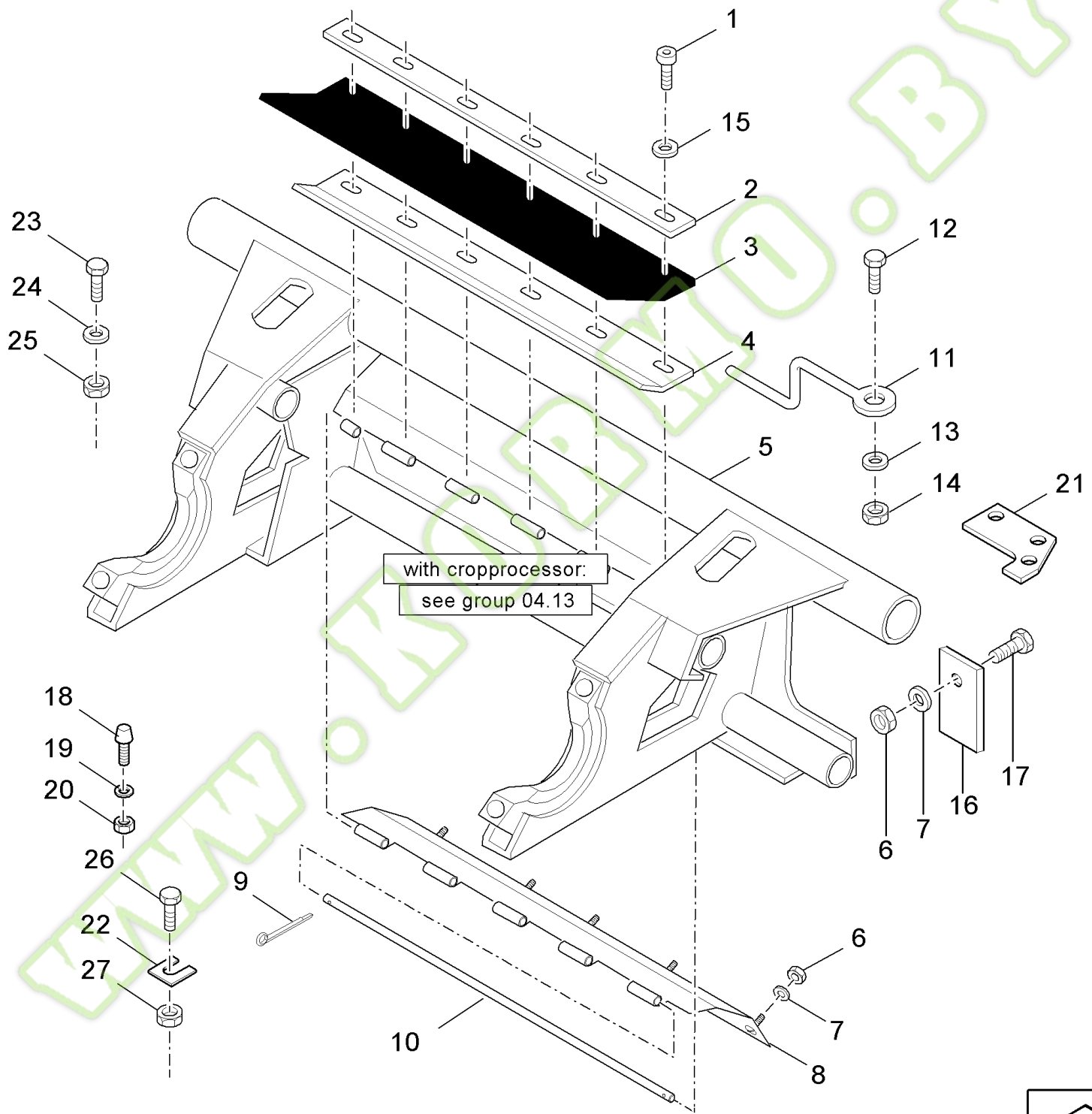
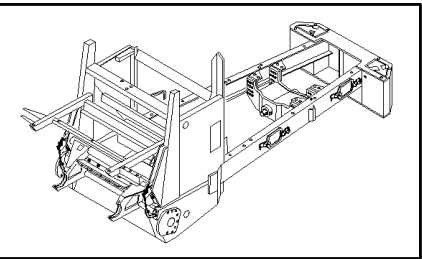
SECTIES

**SEC. 10**



Ref	Part Number	Qty	Description
<p>WWW.KORMO.BY</p>			

10.01(01) GRASS FRAME

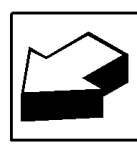
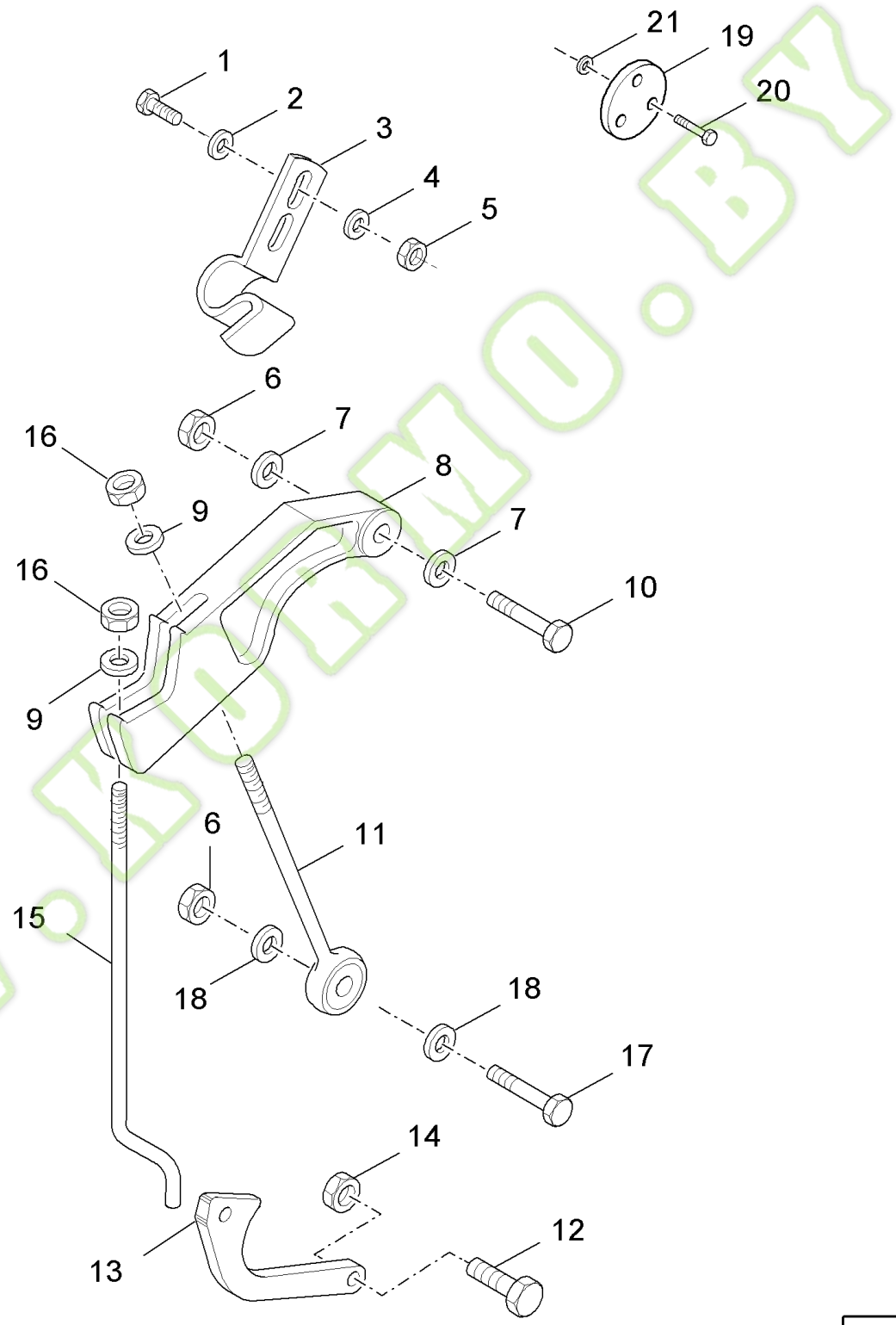
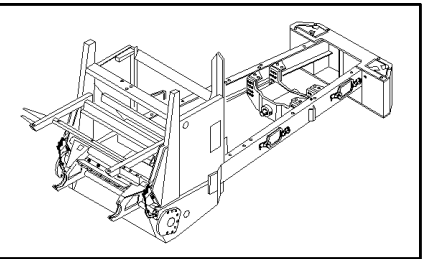


## FX48 SELF-PROPELLED FORAGE HARVESTER (9/98- )

## 10.01(01) GRASS FRAME

Ref	Part Number	Qty	Description
1	43128	6	SCREW, {PP:80043128} Hex, M8 x 30, 8.8, Cap, HH, CL 8.8, M8 x 1.25 x 30
2	84000356	1	PLATE, FIXING,
3	84000357	1	CANVAS,
3	84432292	1	CANVAS, , FOR NA ONLY, ASN D174
4	84012252	1	PLATE, COVER,
4	84432299	1	PLATE, , FOR NA ONLY, ASN D174
5	89808924	1	FRAME,
5	84989047	1	FRAME, , FOR NA ONLY, ASN D174
6	89706690	5	NUT, CL 8, M8 x 1.25 x 13.0
7	322358	5	WASHER, LOCK, {PP:80322358} Belleville, M8, 8MM
8	84005175	1	COVER,
9	130006	2	PIN, SPLIT (COTTER), {PP:80130006} M4 x 20,
10	84005186	1	ROD,
11	84002349	1	HOOK,
12	300389	1	SCREW, {PP:80300389} Hex, M12 x 35, 8.8, Full Thd, M12x35
13	140046	1	WASHER, LOCK, {PP:80140046} Belleville, M12, 12MM
14	100038	1	NUT, LOCK, {PP:80100038} M12 x 1.75, CI 8, M12
15	378243	6	WASHER, {PP:80378243} 8MM
16	84069989	1	PLATE, ADJUSTING,
18	190029	2	INSULATOR BLOCK, {PP:80190029}
19	140045	2	WASHER, LOCK, {PP:80140045} Belleville, M10, 10MM
20	100016	2	NUT, {PP:80100016} M10, CI 8, M10
21	84432298	1	SHIM, , FOR NA ONLY
22	84038752	AR	PLATE, ADJUSTING, THK.:0.5MM, FOR NA ONLY
23	86508586	4	SCREW, Hex, M16 x 240, 8.8, M16x240, FOR NA ONLY, ASN D186
24	333040	4	WASHER, {PP:80333040}
25	86000441	AR	NUT, M12 x 1.75, CI 8,
26	43168	2	SCREW, {PP:80043168} Hex, M16 x 40, 8.8, Hex, M16 x 40, 8.8
27	140048	AR	WASHER, LOCK, {PP:80140048} Belleville, M16, 16MM
17	16043224	1	SCREW, Hex, M8 x 16, 8.8, Full Thd, M8x16

10.02(01) MAIN FRAME

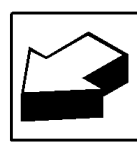
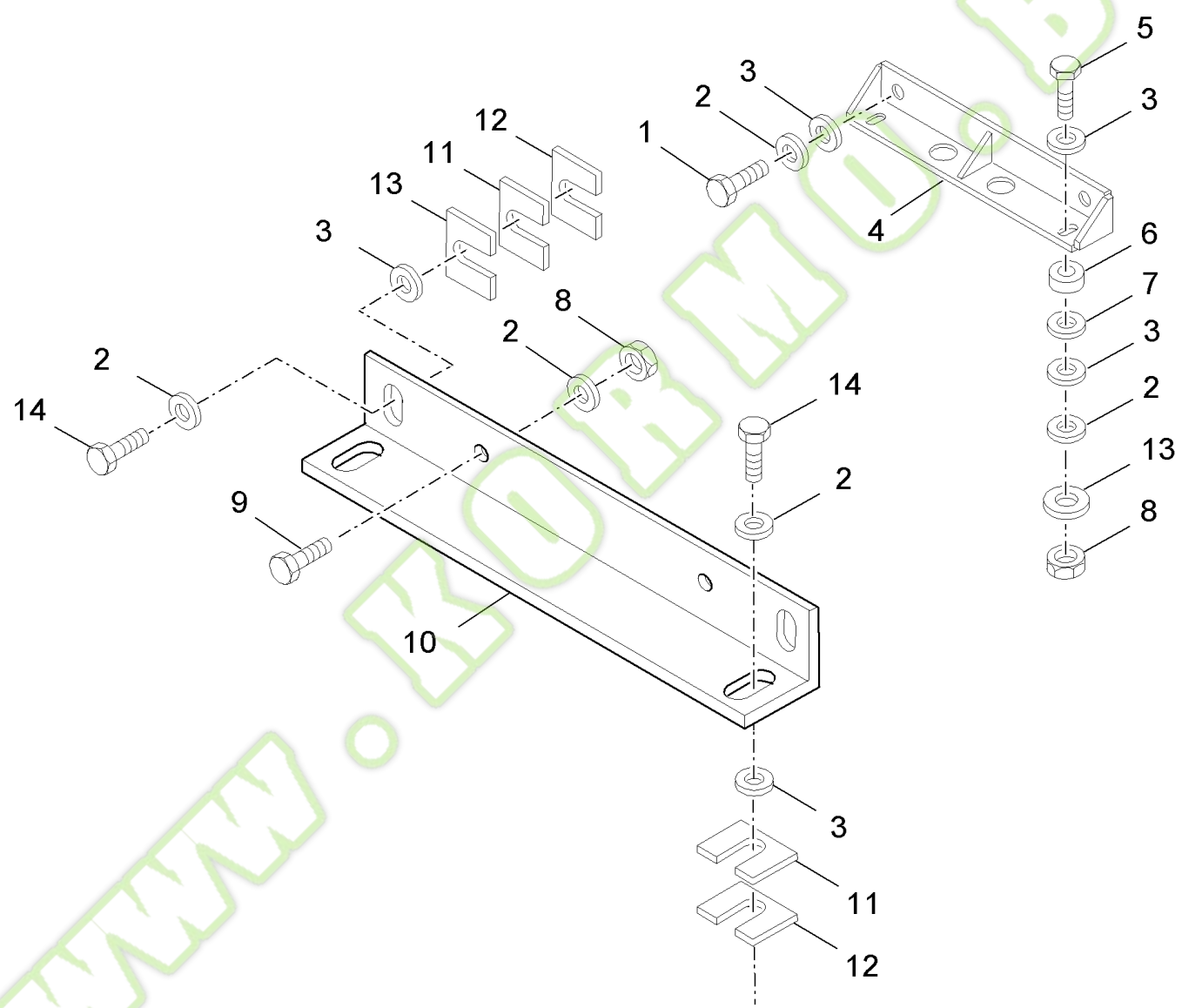
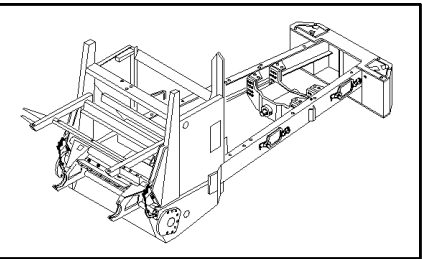


## FX48 SELF-PROPELLED FORAGE HARVESTER (9/98- )

## 10.02(01) MAIN FRAME

Ref	Part Number	Qty	Description
1	412255	4	SCREW, {PP:80412255} Hex, M4 x 20, 8.8, Full Thd, M4x20
2	84022857	2	WASHER,
3	9801069	2	LATCH, {PP:89801069}
4	322355	4	WASHER, LOCK, {PP:80322355} Belleville, M4, 4MM
5	100012	4	NUT, {PP:80100012} M4, CI 8, M4
6	86000441	AR	NUT, M12 x 1.75, CI 8, M16
7	393062	AR	WASHER, LOCK, {PP:80393062}
8	84000375	2	ARM,
9	394631	4	WASHER, {PP:80394631}
10	374889	2	SCREW, {PP:80374889} Hex, M16 x 100, 8.8, M16x100
11	417749	2	BOLT, {PP:80417749} M16x200, BSN C085
11	84023279	2	BOLT, M16x200, ASN D086
12	43130	2	SCREW, {PP:80043130} Hex, M8 x 50, 8.8, M8x50
13	84001545	2	HOOK,
14	43442	2	NUT, {PP:80043442} M8 x 1.25", CI 8, M8
15	84026014	2	TIE-ROD,
16	100020	4	NUT, {PP:80100020} M16, CI 8, M16, CI 8
17	350616	2	SCREW, {PP:80350616} Hex, M16 x 90, 8.8, M16x90
18	378246	4	WASHER, {PP:80378246} 16MM
19	84435498	2	COVER, , ASN D186
20	43139	6	SCREW, {PP:80043139} Hex, M10 x 25, 8.8, Full Thd, M10x25
21	140045	6	WASHER, LOCK, {PP:80140045} Belleville, M10, 10MM

10.03(01) MAIN FRAME

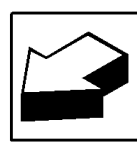
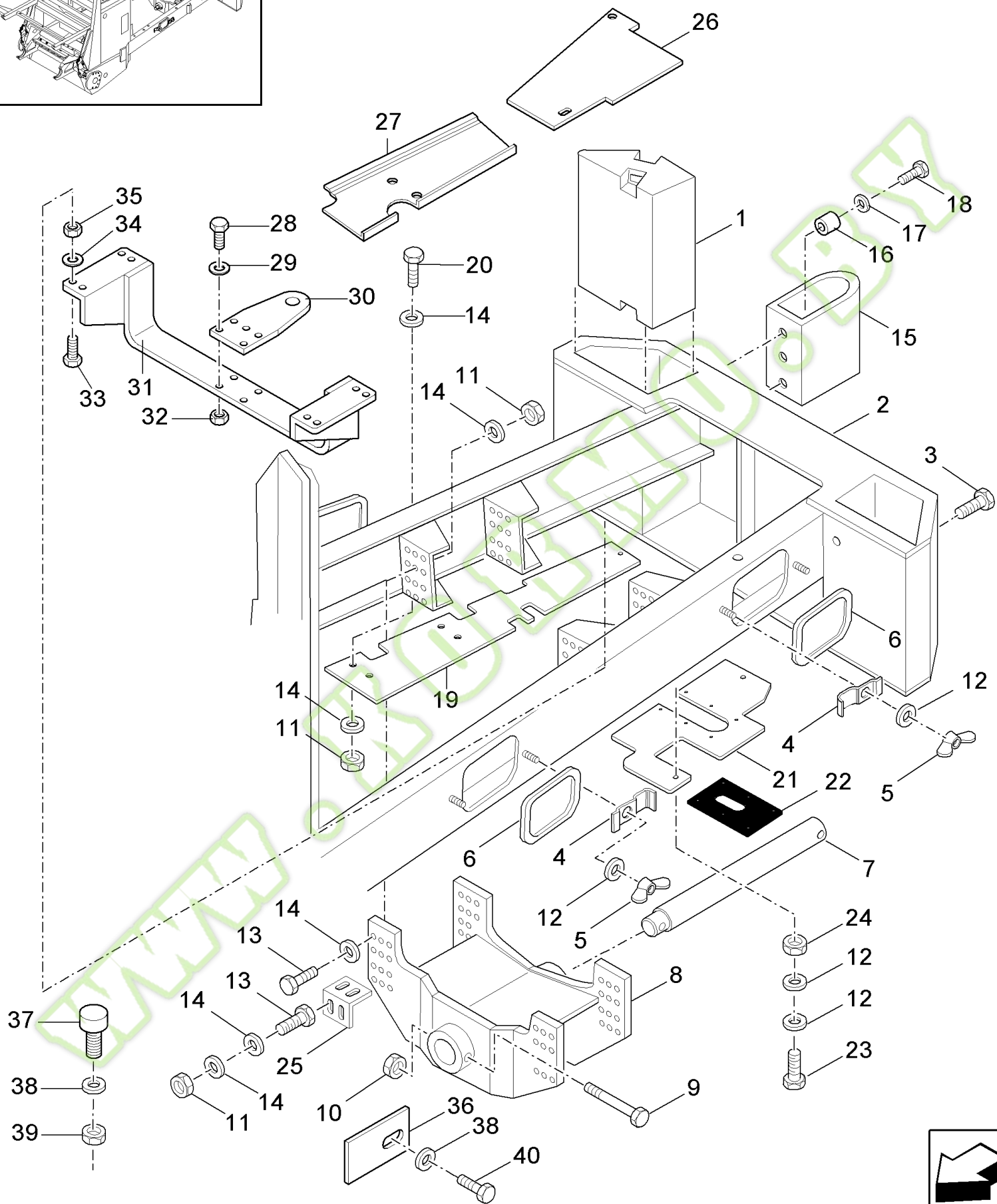
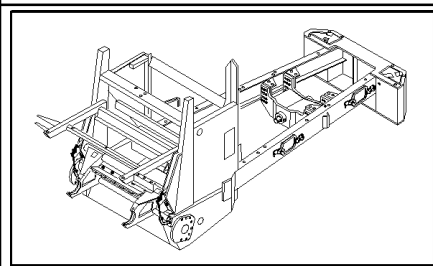


## FX48 SELF-PROPELLED FORAGE HARVESTER (9/98- )

## 10.03(01) MAIN FRAME

Ref	Part Number	Qty	Description
1	43168	6	SCREW, {PP:80043168} Hex, M16 x 40, 8.8, Hex, M16 x 40, 8.8
2	140048	8	WASHER, LOCK, {PP:80140048} Belleville, M16, 16MM
3	325594	8	WASHER, {PP:80325594} 16MM
4	89812474	1	SUPPORT,
5	120093	2	SCREW, {PP:80120093} Hex, M16 x 80, 8.8, Hex, M16 x 80, 8.8
6	80456972	2	RING,
7	47407	AR	WASHER, {PP:80047407}
8	100020	8	NUT, {PP:80100020} M16, CI 8, M16, CI 8
9	120091	2	SCREW, {PP:80120091} Hex, M16 x 60, 8.8, Hex, M16 x 60, 8.8
10	89594631	1	ANGLE BAR,
11	48689	AR	SHIM, {PP:80048689}
12	66271	AR	SHIM, {PP:80066271}
13	84023895	AR	SHIM,
14	120090	2	SCREW, {PP:80120090} Hex, M16 x 50, 8.8, Hex, M16 x 50, 8.8

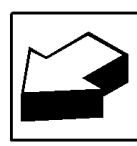
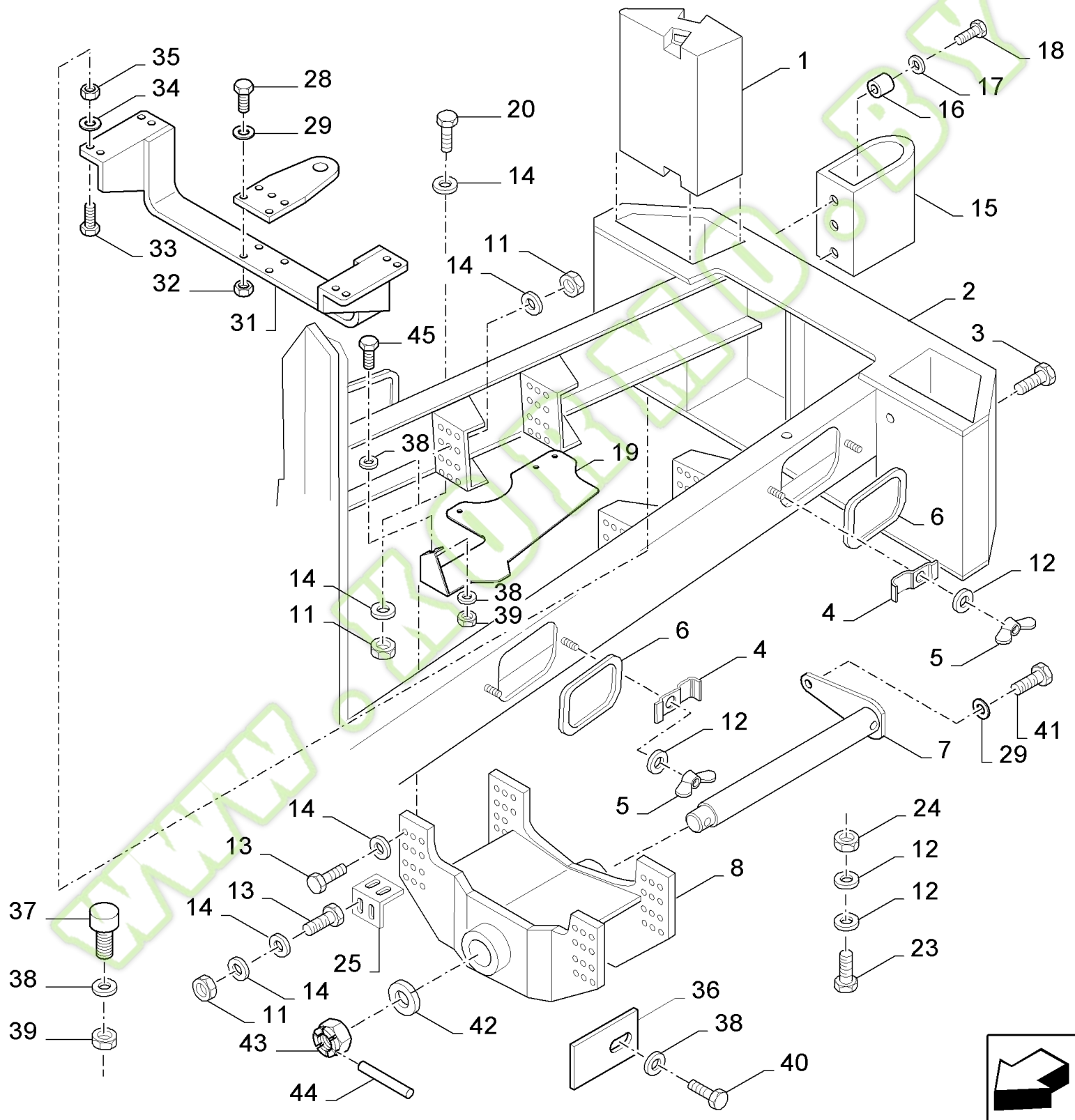
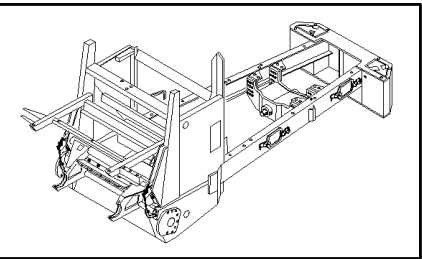




## FX48 SELF-PROPELLED FORAGE HARVESTER (9/98- )

## 10.04(01) MAIN FRAME - C217

Ref	Part Number	Qty	Description
1	84015657	2	WEIGHT, ADVANCE DEVICE,
2	84002649	1	FRAME,
3	80374890	4	SCREW, M20x60
4	425093	6	CLIP, {PP:80425093}
5	100005	6	NUT, WING, {PP:80100005} M8, M8
6	84023436	3	COVER,
7	89593224	1	SHAFT, , BSN C127
7	84075654	1	SHAFT, , BSN F128185
7	84433856	1	SHAFT, , ASN D186
8	84061859	1	SUPPORT,
9	9501756	1	SCREW, {PP:89501756} Hex, M12 x 110, 10.9, M8x110
10	100038	1	NUT, LOCK, {PP:80100038} M12 x 1.75, CI 8, M12
11	100020	60	NUT, {PP:80100020} M16, CI 8, M16, CI 8
12	322358	5	WASHER, LOCK, {PP:80322358} Belleville, M8, 8MM
13	120089	56	BOLT, {PP:80120089} Hex, M16 x 40, 8.8, Hex, M16 x 40, 8.8
14	140048	AR	WASHER, LOCK, {PP:80140048} Belleville, M16, 16MM
15	916234	2	BUMPER, {PP:80916234} , FOR NA ONLY
16	419712	6	SPACER, {PP:80419712} , FOR NA ONLY
17	378246	6	WASHER, {PP:80378246} 16MM
18	120090	6	SCREW, {PP:80120090} Hex, M16 x 50, 8.8, Hex, M16 x 50, 8.8
19	84045303	1	PLATE, , FOR FX28-38-48 ONLY
20	120126	4	SCREW, {PP:80120126} Hex, M16 x 30, 8.8, Full Thd, Hex, M16 x 30, 8.8, Full Thd
21	84045302	1	PLATE, , FOR FX28-38-48 ONLY
22	84045846	1	CANVAS, , FOR FX28-38-48 ONLY
23	43128	1	SCREW, {PP:80043128} Hex, M8 x 30, 8.8, Cap, HH, CL 8.8, M8 x 1.25 x 30
24	100015	1	NUT, {PP:80100015} M8, CI 8, M8
25	84052621	4	SUPPORT,
26	84062687	1	PLATE, , FOR FX58 ONLY
27	84074163	1	PLATE, , FOR FX58 ONLY
28	120090	8	SCREW, {PP:80120090} Hex, M16 x 50, 8.8, Hex, M16 x 50, 8.8, FOR NA ONLY
29	140048	8	WASHER, LOCK, {PP:80140048} Belleville, M16, 16MM, FOR NA ONLY
30	84043069	1	PLATE, COVER, , FOR NA ONLY
31	84032950	1	SUPPORT, , FOR NA ONLY
32	100020	8	NUT, {PP:80100020} M16, CI 8, M16, CI 8, FOR NA ONLY
33	80382101	4	SCREW, M20x80, FOR NA ONLY
34	322359	8	WASHER, LOCK, {PP:80322359} Belleville, M20, 20MM, FOR NA ONLY
35	9706694	4	NUT, {PP:89706694} M20, CI 8, M20, FOR NA ONLY
36	84434531	2	PLATE, , ASN D186
37	190029	2	INSULATOR BLOCK, {PP:80190029} , ASN D186
38	140045	4	WASHER, LOCK, {PP:80140045} Belleville, M10, 10MM
39	100016	2	NUT, {PP:80100016} M10, CI 8, M10
40	43138	2	SCREW, {PP:80043138} Hex, M10 x 20, 8.8, Full Thd, M10x20

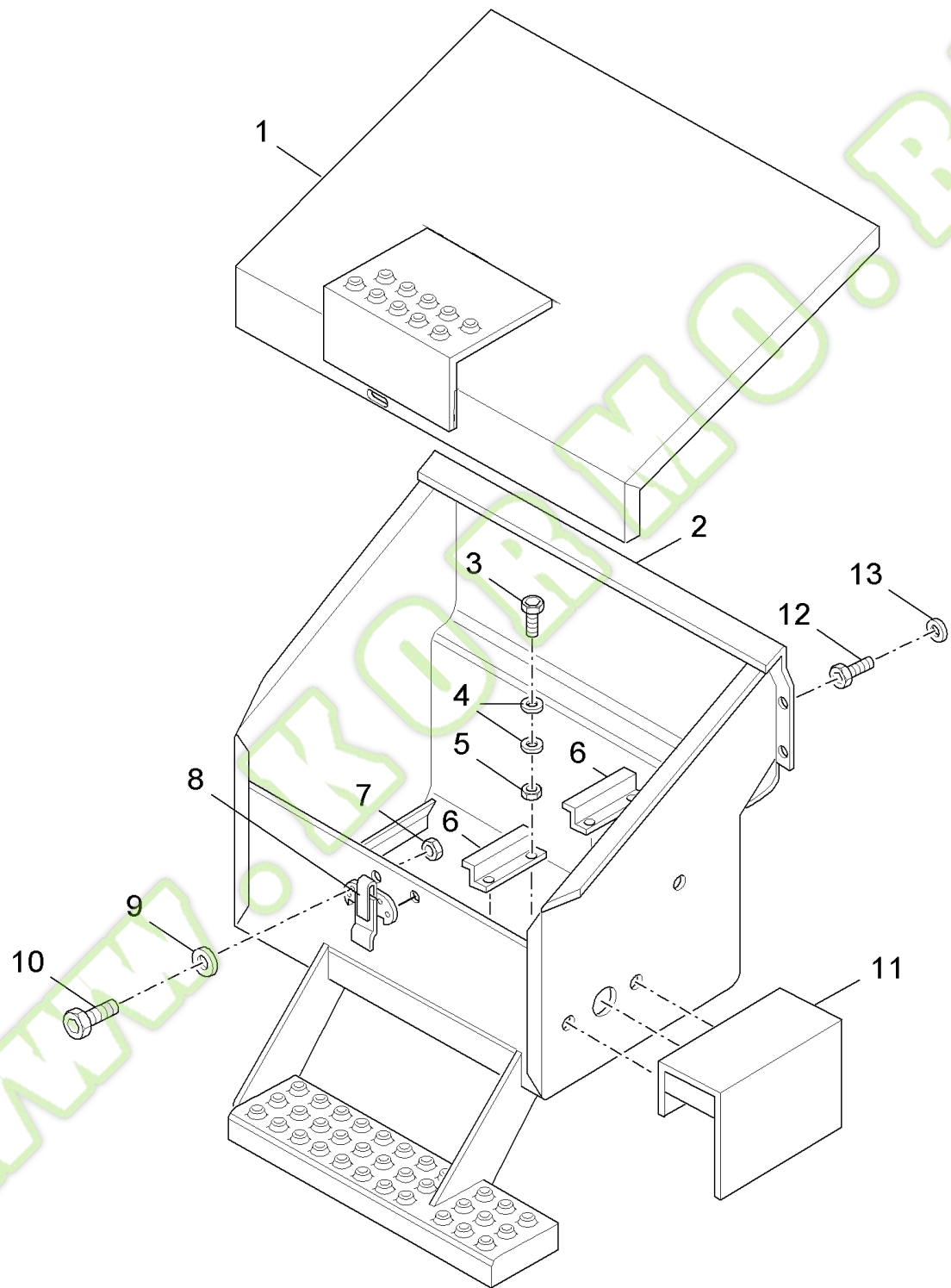
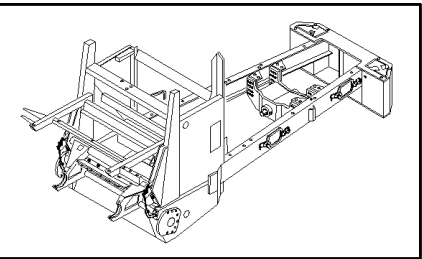


## FX48 SELF-PROPELLED FORAGE HARVESTER (9/98- )

## 10.04A(01) MAIN FRAME - D218

Ref	Part Number	Qty	Description
1	84015657	2	WEIGHT, ADVANCE DEVICE,
2	84002649	1	FRAME,
3	80374890	4	SCREW, M20x60
4	425093	6	CLIP, {PP:80425093}
5	100005	6	NUT, WING, {PP:80100005} M8, M8
6	84023436	3	COVER,
7	84439206	1	SHAFT,
8	84439204	1	SUPPORT,
11	100020	60	NUT, {PP:80100020} M16, CI 8, M16, CI 8
12	322358	5	WASHER, LOCK, {PP:80322358} Belleville, M8, 8MM
13	120089	56	BOLT, {PP:80120089} Hex, M16 x 40, 8.8, Hex, M16 x 40, 8.8
14	140048	AR	WASHER, LOCK, {PP:80140048} Belleville, M16, 16MM
15	916234	2	BUMPER, {PP:80916234} , FOR NA ONLY
16	419712	6	SPACER, {PP:80419712} , FOR NA ONLY
17	378246	6	WASHER, {PP:80378246} 16MM
18	120090	6	SCREW, {PP:80120090} Hex, M16 x 50, 8.8, Hex, M16 x 50, 8.8
19	84435570	1	PLATE, , FOR FX28-38-48 ONLY
20	120126	4	SCREW, {PP:80120126} Hex, M16 x 30, 8.8, Full Thd, Hex, M16 x 30, 8.8, Full Thd
23	43128	1	SCREW, {PP:80043128} Hex, M8 x 30, 8.8, Cap, HH, CL 8.8, M8 x 1.25 x 30
24	100015	1	NUT, {PP:80100015} M8, CI 8, M8
25	84052621	4	SUPPORT,
28	120090	8	SCREW, {PP:80120090} Hex, M16 x 50, 8.8, Hex, M16 x 50, 8.8, FOR NA ONLY
29	140048	AR	WASHER, LOCK, {PP:80140048} Belleville, M16, 16MM, FOR NA ONLY
30	84043069	1	PLATE, COVER, , FOR NA ONLY
31	84032950	1	SUPPORT, , FOR NA ONLY
32	100020	8	NUT, {PP:80100020} M16, CI 8, M16, CI 8, FOR NA ONLY
33	80382101	4	SCREW, M20x80, FOR NA ONLY
34	322359	8	WASHER, LOCK, {PP:80322359} Belleville, M20, 20MM, FOR NA ONLY
35	9706694	4	NUT, {PP:89706694} M20, CI 8, M20, FOR NA ONLY
36	84434531	2	PLATE,
37	190029	2	INSULATOR BLOCK, {PP:80190029}
38	140045	AR	WASHER, LOCK, {PP:80140045} Belleville, M10, 10MM
39	100016	AR	NUT, {PP:80100016} M10, CI 8, M10
40	43138	2	SCREW, {PP:80043138} Hex, M10 x 20, 8.8, Full Thd, M10x20
41	43167	1	BOLT, {PP:80043167} Hex, M16 x 30, 8.8, Full Thd, Hex, M16 x 30, 8.8, Full Thd
42	411961	1	WASHER, {PP:80411961}
43	390822	1	NUT, {PP:80390822} M30 x 1.5, CI 8, M30
44	130016	1	PIN, SPLIT (COTTER), {PP:80130016} M6.3 x 63,
45	43140	AR	BOLT, {PP:80043140} Hex, M10 x 30, 8.8, M10x30

10.05(01) BATTERY BOX



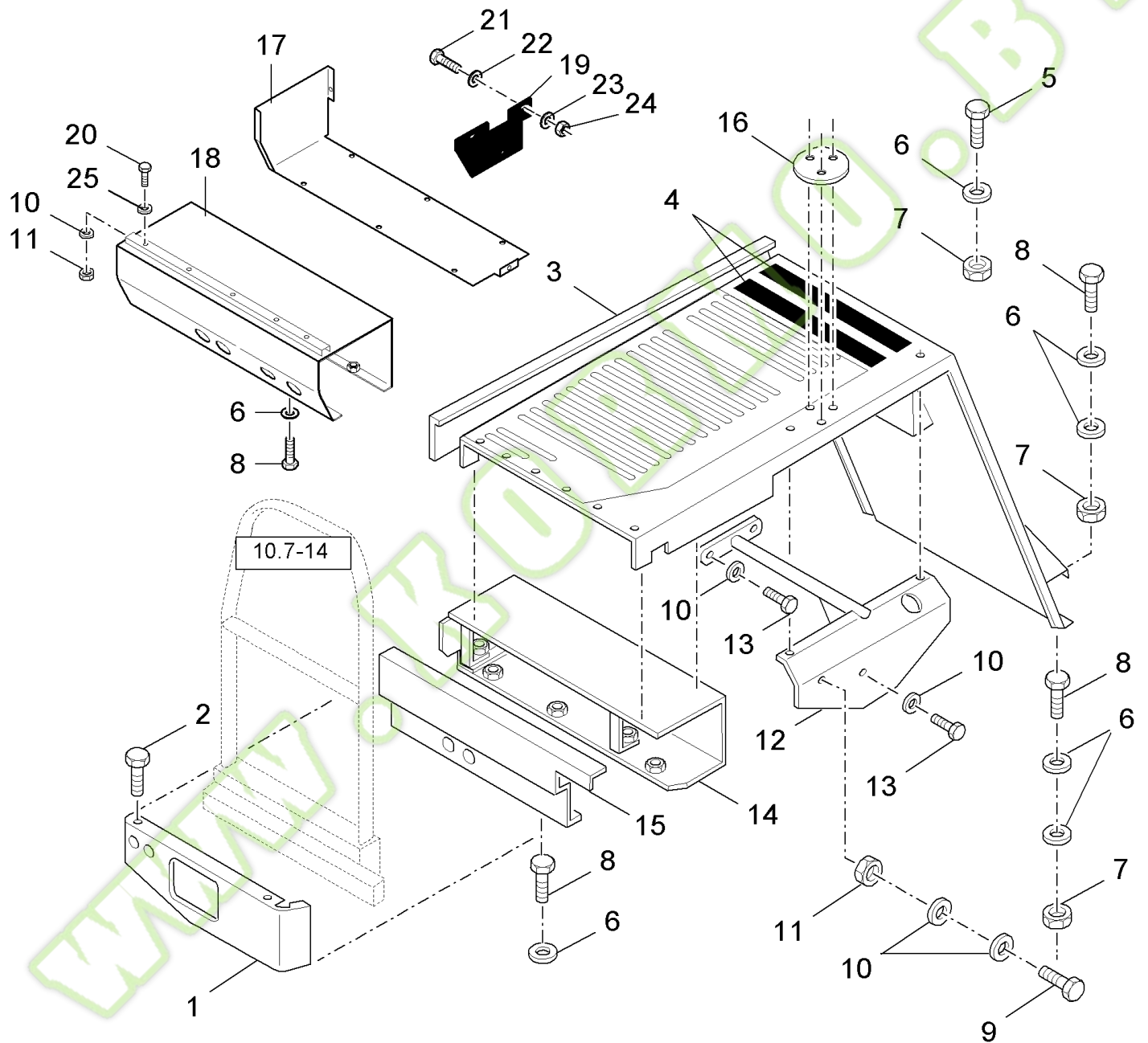
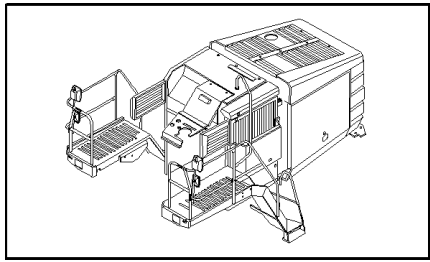
## FX48 SELF-PROPELLED FORAGE HARVESTER (9/98- )

## 10.05(01) BATTERY BOX

Ref	Part Number	Qty	Description
1	84011991	1	COVER,
2	84011996	1	TRAY, BATTERY,
3	120100	4	BOLT, {PP:80120100} Hex, M6 x 20, 8.8, M6x20
4	322357	8	WASHER, LOCK, {PP:80322357} Belleville, M6, Belleville, M6
5	9706755	4	NUT, {PP:89706755} M6, CI 8, M6
6	80422831	2	SUPPORT,
7	100013	2	NUT, {PP:80100013} M4, CI 8, M5
8	244457	1	CLAMP, {PP:80244457}
9	322356	2	WASHER, LOCK, {PP:80322356} 5MM
10	412483	2	SCREW, {PP:80412483} Cross Pan Hd, M5 x 10, M5x10
11	84011994	1	COVER,
12	120109	6	SCREW, {PP:80120109} Hex, M10 x 20, 8.8, Full Thd, M10x20
13	140045	6	WASHER, LOCK, {PP:80140045} Belleville, M10, 10MM

WWW.KORMO.BY

10.06(01) OPERATOR'S PLATFORM, RH



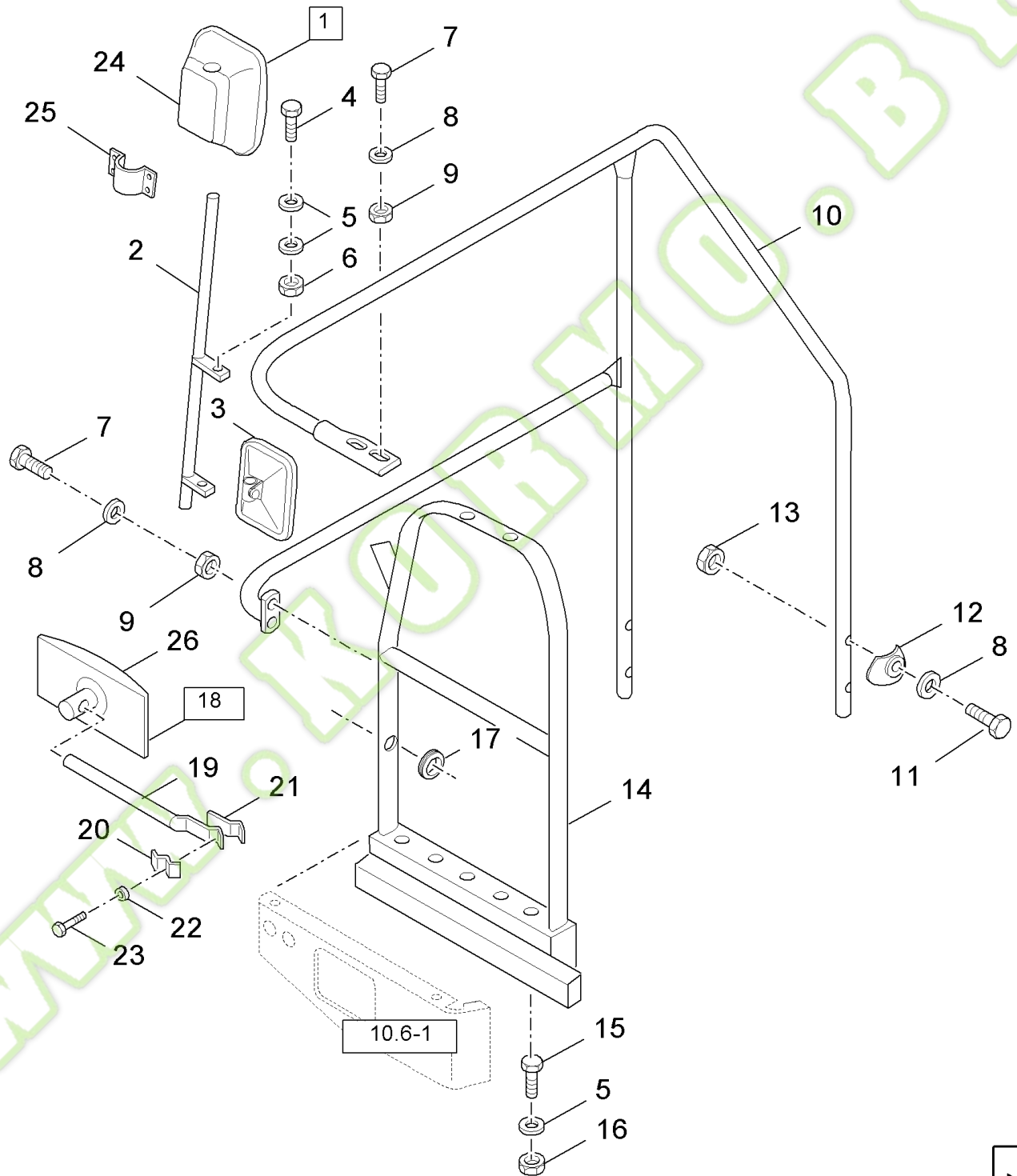
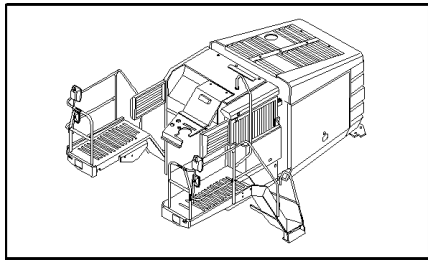
## FX48 SELF-PROPELLED FORAGE HARVESTER (9/98- )

## 10.06(01) OPERATOR'S PLATFORM, RH

Ref	Part Number	Qty	Description
1	84001237	1	PLATE,
2	N605772S36	4	SCREW, {PP:83910242}
3	84002783	1	PLATFORM, , BSN C173
3	84432129	1	PLATFORM, , ASN D174
4	401502	AR	STRIP, ANTI-SKID, {PP:80401502} 51mm x 18.3 Roll - Cut to Size
5	120037	2	BOLT, {PP:80120037} Short NK, M8 x 20, CI8.8, Full Thd, M8x20
6	322358	15	WASHER, LOCK, {PP:80322358} Belleville, M8, 8MM
7	100015	6	NUT, {PP:80100015} M8, CI 8, M8
8	80120104	9	SCREW, M8x20
9	120109	2	SCREW, {PP:80120109} Hex, M10 x 20, 8.8, Full Thd, M10x20
10	140045	AR	WASHER, LOCK, {PP:80140045} Belleville, M10, 10MM
11	100016	AR	NUT, {PP:80100016} M10, CI 8, M10
12	84001730	1	SUPPORT,
13	43140	3	BOLT, {PP:80043140} Hex, M10 x 30, 8.8, M10x30
14	84001878	1	COVER, , BSN C173
15	84001735	1	SUPPORT, , BSN C173
16	84038104	1	COVER,
17	84432355	1	COVER, , ASN D174
18	84432458	1	SUPPORT, , ASN D174
19	84432559	1	SEAL, , NOT FOR NA, ASN D174
19	84432333	1	SEAL, , FOR NA ONLY, ASN D174
20	120068	5	SCREW, {PP:80120068} Hex, M10 x 40, 8.8, Full Thd, M10x40
21	120100	AR	BOLT, {PP:80120100} Hex, M6 x 20, 8.8, M6x20
22	140040	AR	WASHER, {PP:80140040} M6 x 22 x 2, 6MM
23	322357	AR	WASHER, LOCK, {PP:80322357} Belleville, M6, Belleville, M6
24	9706755	AR	NUT, {PP:89706755} M6, CI 8, M6
25	140011	5	WASHER, LOCK, {PP:80140011} 10MM



10.07(01) MIRRORS AND HAND-RAIL, RH

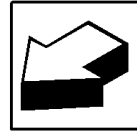
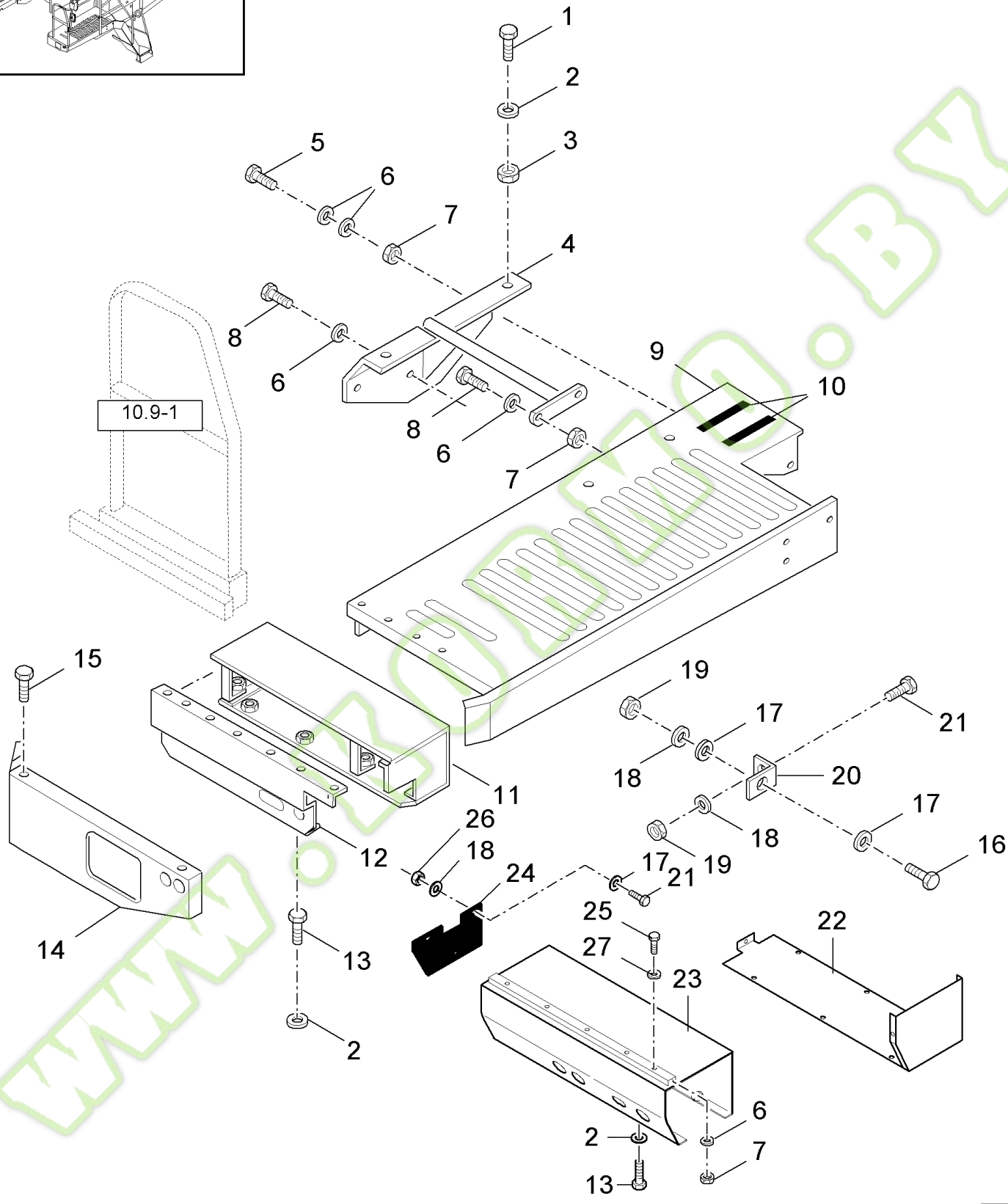
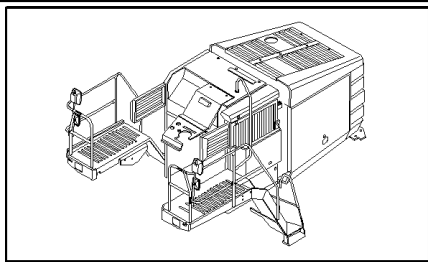


## FX48 SELF-PROPELLED FORAGE HARVESTER (9/98- )

## 10.07(01) MIRRORS AND HAND-RAIL, RH

Ref	Part Number	Qty	Description
1	9501005	1	MIRROR, REAR-VIEW, {PP:89501005} (24,25)
2	84019723	1	SUPPORT,
3	437650	1	MIRROR, REAR-VIEW, {PP:80437650} LH
4	43140	2	BOLT, {PP:80043140} Hex, M10 x 30, 8.8, M10x30, FOR NA ONLY
5	140045	9	WASHER, LOCK, {PP:80140045} Belleville, M10, 10MM
6	100037	2	NUT, {PP:80100037} M10 x 1.5, CI 8, M10
7	120060	4	SCREW, {PP:80120060} Hex, M8 x 50, 8.8, M8x50
8	322358	4	WASHER, LOCK, {PP:80322358} Belleville, M8, 8MM
9	100015	4	NUT, {PP:80100015} M8, CI 8, M8
10	84001727	1	HANDRAIL,
11	120106	4	SCREW, {PP:80120106} Hex, M8 x 40, 8.8, Full Thd, Hex, M8 x 40, 8.8, Full Thd
12	333962	4	CLAMP, {PP:80333962}
13	100067	4	NUT, {PP:80100067} M8 x 1.25", CI 8, M8
14	89818337	1	HANDRAIL,
15	120245	5	SCREW, {PP:80120245} Short NK, M10 x 30, CI8.8, Full Thd, M10x30
16	100016	5	NUT, {PP:80100016} M10, CI 8, M10
17	190067	1	BUSHING, RUBBER, {PP:80190067}
18	84011599	1	MIRROR, REAR-VIEW, (26), FOR GERMANY ONLY
19	84021090	1	TUBE, RIGID, , FOR GERMANY ONLY
20	84007508	1	CLAMP, , FOR GERMANY ONLY
21	84007510	1	CLAMP, , FOR GERMANY ONLY
22	322357	1	WASHER, LOCK, {PP:80322357} Belleville, M6, Belleville, M6, FOR GERMANY ONLY
23	86977786	1	BOLT, Hex, M6 x 25, 8.8, M6x25, FOR GERMANY ONLY
24	84036577	1	COVER, Back
25	84037250	2	CLAMP,
26	84036693	1	GLASS, , FOR GERMANY ONLY

10.08(01) OPERATOR'S PLATFORM, LH

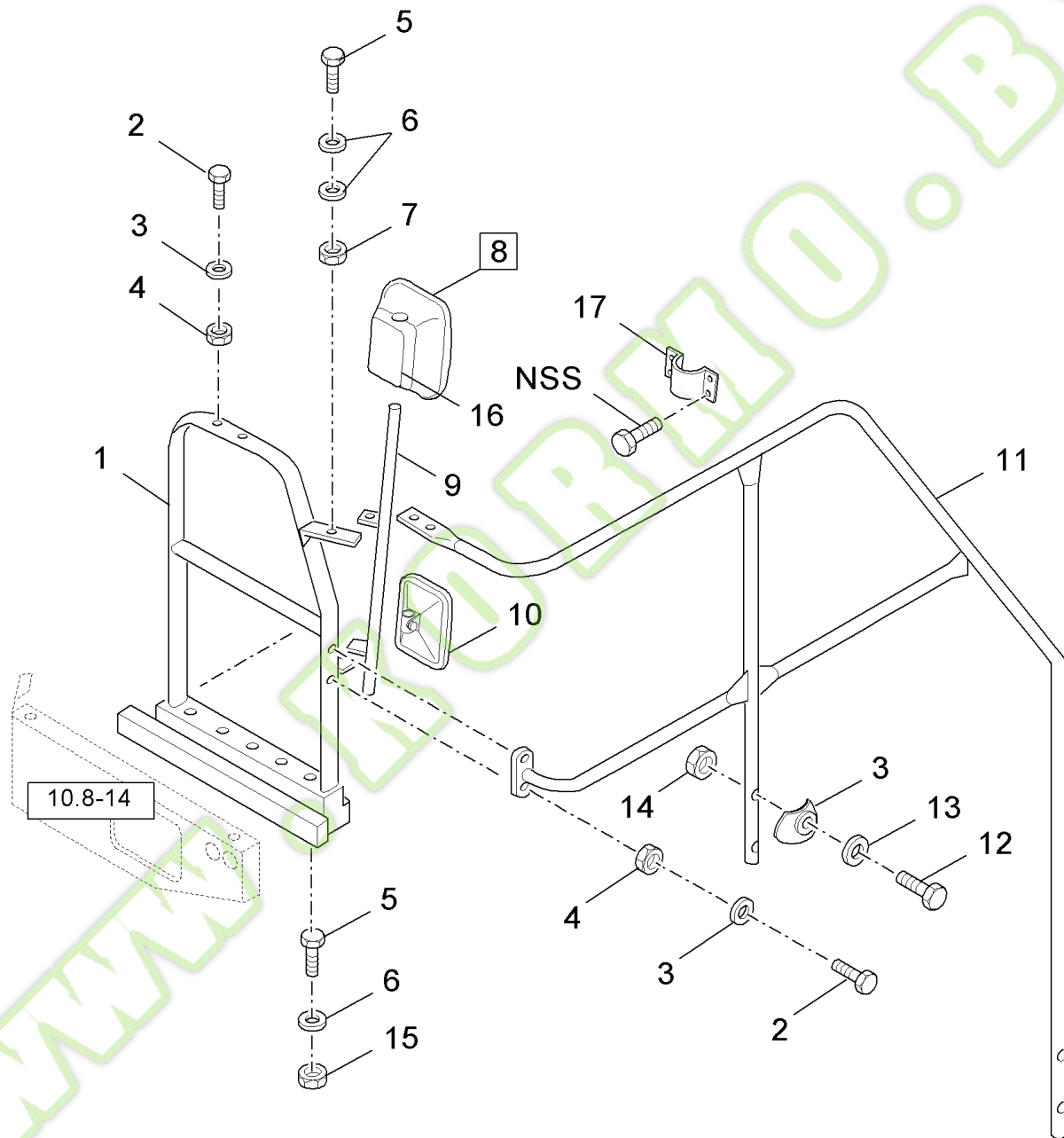
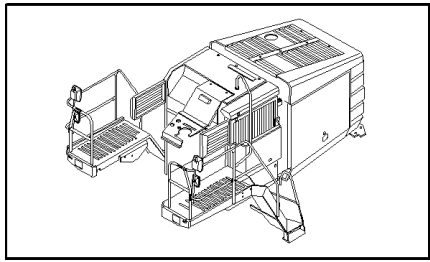


## FX48 SELF-PROPELLED FORAGE HARVESTER (9/98- )

## 10.08(01) OPERATOR'S PLATFORM, LH

Ref	Part Number	Qty	Description
1	120037	2	BOLT, {PP:80120037} Short NK, M8 x 20, CI8.8, Full Thd, M8x20
2	322358	9	WASHER, LOCK, {PP:80322358} Belleville, M8, 8MM
3	100015	2	NUT, {PP:80100015} M8, CI 8, M8
4	89594946	1	SUPPORT,
5	120109	2	SCREW, {PP:80120109} Hex, M10 x 20, 8.8, Full Thd, M10x20
6	140045	AR	WASHER, LOCK, {PP:80140045} Belleville, M10, 10MM
7	100016	AR	NUT, {PP:80100016} M10, CI 8, M10
8	43140	2	BOLT, {PP:80043140} Hex, M10 x 30, 8.8, M10x30
9	89594952	1	PLATFORM, , BSN C173
9	84432130	1	PLATFORM, , ASN D174
10	401502	AR	STRIP, ANTI-SKID, {PP:80401502} 51mm x 18.3 Roll - Cut to Size
11	84001882	1	COVER, , BSN C173
12	84001222	1	SUPPORT, , BSN C173
13	80120104	5	SCREW, M8x20
14	84001236	1	PLATE, COVER,
15	N605772S36	4	SCREW, {PP:83910242}
16	80120102	1	SCREW, M6x40
17	140040	2	WASHER, {PP:80140040} M6 x 22 x 2,
18	322357	2	WASHER, LOCK, {PP:80322357} Belleville, M6, Belleville, M6
19	9706755	2	NUT, {PP:89706755} M6, CI 8, M6
20	84022402	2	BRACKET, , BSN C173
21	120100	AR	BOLT, {PP:80120100} Hex, M6 x 20, 8.8, M6x20
22	84432354	1	COVER, , ASN D174
23	84432465	1	SUPPORT, , ASN D174
24	84432420	1	SEAL, RUBBER, , ASN D174
25	120068	5	SCREW, {PP:80120068} Hex, M10 x 40, 8.8, Full Thd, M10x40
26	9706755	AR	NUT, {PP:89706755} M6, CI 8, M6
27	140017	5	WASHER, LOCK, {PP:80140017} M10 x 20 x 2, 10MM

10.09(01) MIRRORS AND HAND-RAIL, LH

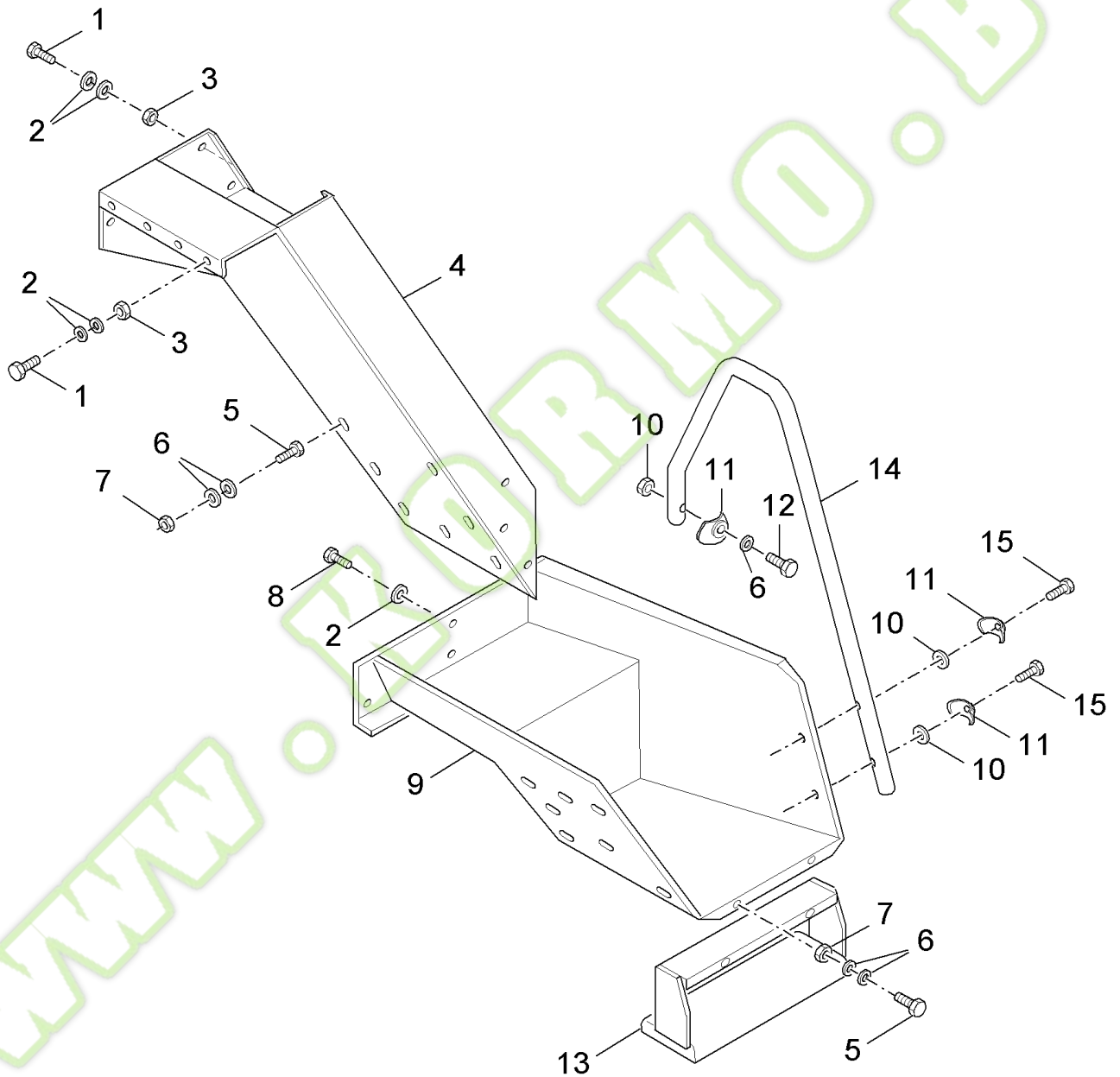
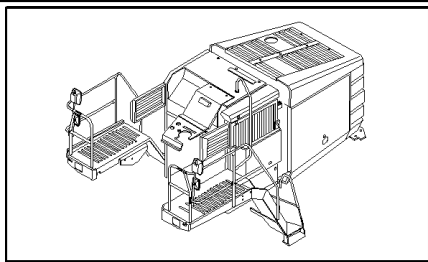


## FX48 SELF-PROPELLED FORAGE HARVESTER (9/98- )

## 10.09(01) MIRRORS AND HAND-RAIL, LH

Ref	Part Number	Qty	Description
1	84001234	1	HANDRAIL,
2	120060	4	SCREW, {PP:80120060} Hex, M8 x 50, 8.8, M8x60
3	322358	8	WASHER, LOCK, {PP:80322358} Belleville, M8, 8MM
4	100015	4	NUT, {PP:80100015} M8, CI 8, M8
5	43140	2	BOLT, {PP:80043140} Hex, M10 x 30, 8.8, M10x30
6	140045	9	WASHER, LOCK, {PP:80140045} Belleville, M10, 10MM
7	100037	2	NUT, {PP:80100037} M10 x 1.5, CI 8, M10
8	9501005	1	MIRROR, REAR-VIEW, {PP:89501005} LH(16,17)
9	84019723	1	SUPPORT,
10	437650	1	MIRROR, REAR-VIEW, {PP:80437650}
11	84002314	1	HANDRAIL,
12	120106	4	SCREW, {PP:80120106} Hex, M8 x 40, 8.8, Full Thd, Hex, M8 x 40, 8.8, Full Thd
13	333962	4	CLAMP, {PP:80333962}
14	100067	4	NUT, {PP:80100067} M8 x 1.25", CI 8, M8
15	100016	5	NUT, {PP:80100016} M10, CI 8, M10
16	84036577	1	COVER,
17	84037250	2	CLAMP,

10.10(01) LADDER



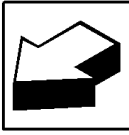
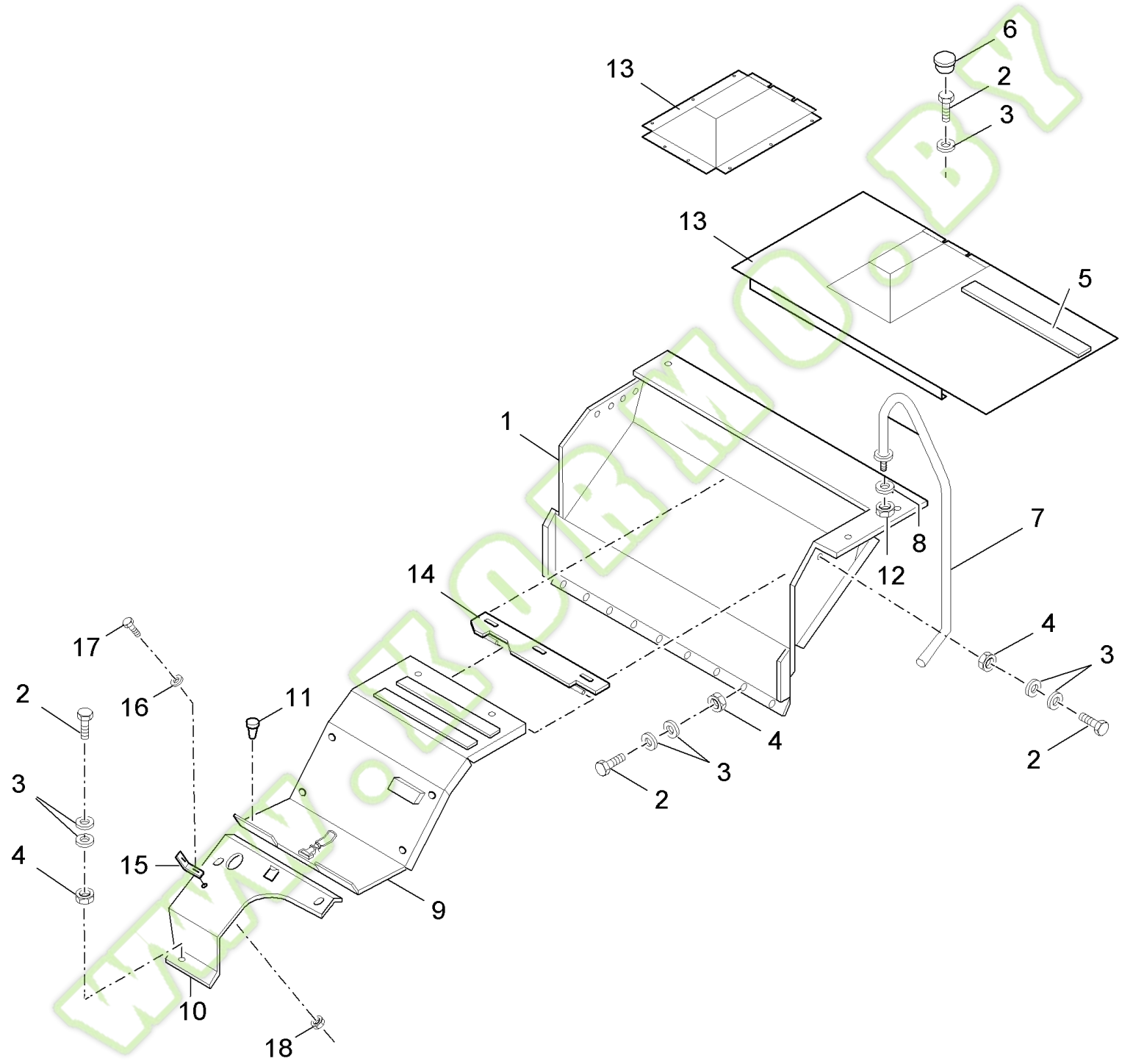
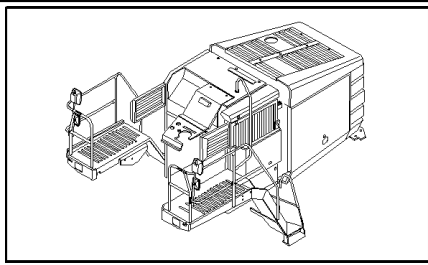
## FX48 SELF-PROPELLED FORAGE HARVESTER (9/98- )

## 10.10(01) LADDER

Ref	Part Number	Qty	Description
1	120109	7	SCREW, {PP:80120109} Hex, M10 x 20, 8.8, Full Thd, M10x20
2	140045	16	WASHER, LOCK, {PP:80140045} Belleville, M10, 10MM
3	100016	7	NUT, {PP:80100016} M10, CI 8, M10
4	89594954	1	LADDER, , BSN C173
4	84432138	1	LADDER, , ASN D174
5	80120104	9	SCREW, M8x20
6	322358	13	WASHER, LOCK, {PP:80322358} Belleville, M8, 8MM
7	100015	9	NUT, {PP:80100015} M8, CI 8, M8
8	43140	6	BOLT, {PP:80043140} Hex, M10 x 30, 8.8, M10x30
9	84035246	1	PLATFORM, , BSN C173
9	84432139	1	PLATFORM, , ASN D174
10	100067	2	NUT, {PP:80100067} M8 x 1.25", CI 8, M8
11	333962	3	CLAMP, {PP:80333962}
12	120106	1	SCREW, {PP:80120106} Hex, M8 x 40, 8.8, Full Thd, Hex, M8 x 40, 8.8, Full Thd
13	84001737	1	STEP,
14	89594941	1	TUBE,
15	120191	2	BOLT, {PP:80120191} Short NK, M8 x 40, CI8.8, Full Thd, M8x40



10.11(01) SHIELDS - C217

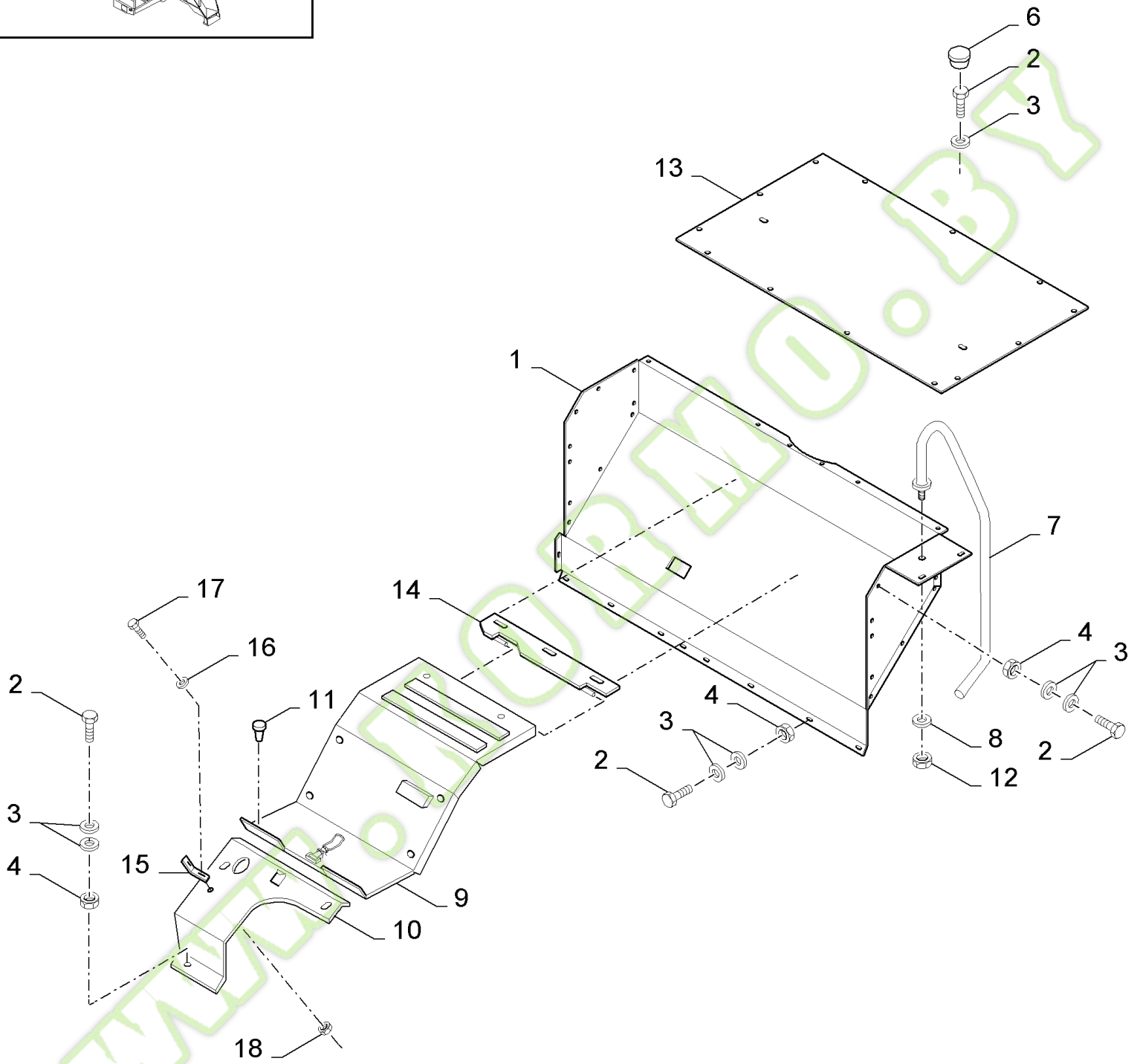
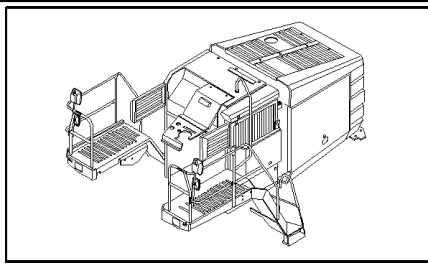


## FX48 SELF-PROPELLED FORAGE HARVESTER (9/98- )

10.11(01) SHIELDS - C217

Ref	Part Number	Qty	Description
1	84061205	1	PLATE,
2	80120104	AR	SCREW, M8x20
3	322358	AR	WASHER, LOCK, {PP:80322358} Belleville, M8, 8MM
4	100015	AR	NUT, {PP:80100015} M8, CI 8, M8
5	401502	AR	STRIP, ANTI-SKID, {PP:80401502} 51mm x 18.3 Roll - Cut to Size
6	433314	3	PLUG, {PP:80433314}
7	84002307	1	HANDRAIL,
8	140045	1	WASHER, LOCK, {PP:80140045} Belleville, M10, 10MM
9	84061681	1	PLATE,
10	84061683	1	PLATE,
11	331233	1	PLUG, {PP:80331233}
12	100016	1	NUT, {PP:80100016} M10, CI 8, M10
13	84077832	1	COVER, CAP, , BSN C127
13	84075628	1	PLATE, , ASN D128
14	84061685	1	SUPPORT,
15	84064409	1	BRACKET,
16	322358	2	WASHER, LOCK, {PP:80322358} Belleville, M8,
17	86507486	2	BOLT (CARRIAGE), Short NK, M8 x 20, CI8.8, Full Thd,
18	89706690	2	NUT, CL 8, M8 x 1.25 x 13.0

10.11A(01) SHIELDS - D218

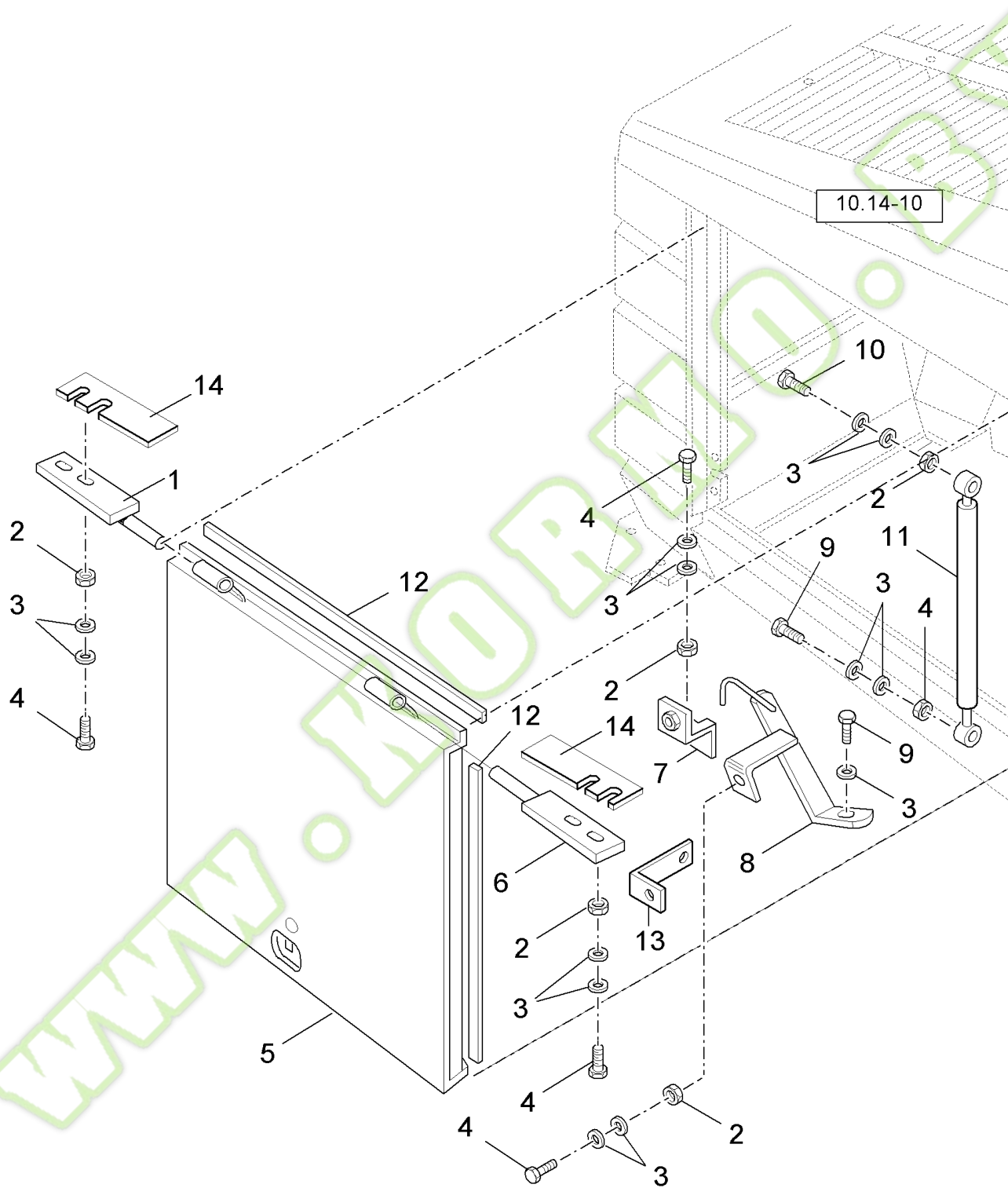
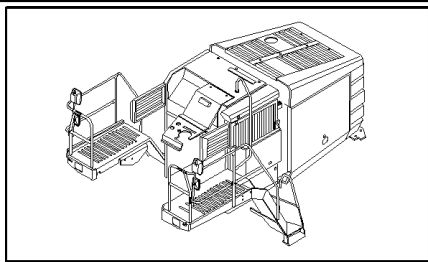


## FX48 SELF-PROPELLED FORAGE HARVESTER (9/98- )

## 10.11A(01) SHIELDS - D218

Ref	Part Number	Qty	Description
1	84334383	1	PLATE,
2	80120104	AR	SCREW, M8x20
3	322358	AR	WASHER, LOCK, {PP:80322358} Belleville, M8, 8MM
4	100015	AR	NUT, {PP:80100015} M8, CI 8, M8
5	401502	AR	STRIP, ANTI-SKID, {PP:80401502} 51mm x 18.3 Roll - Cut to Size
6	433314	3	PLUG, {PP:80433314}
7	84002307	1	HANDRAIL,
8	140045	1	WASHER, LOCK, {PP:80140045} Belleville, M10, 10MM
9	84061681	1	PLATE,
10	84061683	1	PLATE,
11	331233	1	PLUG, {PP:80331233}
12	100016	1	NUT, {PP:80100016} M10, CI 8, M10
13	84989053	1	PLATE, , FOR FX28-38-48 ONLY
13	84434745	1	PLATE, , FOR FX58 ONLY
14	84061685	1	SUPPORT,
15	84064409	1	BRACKET,
16	322358	2	WASHER, LOCK, {PP:80322358} Belleville, M8,
17	86507486	2	BOLT (CARRIAGE), Short NK, M8 x 20, CI8.8, Full Thd,
18	89706690	2	NUT, CL 8, M8 x 1.25 x 13.0

10.12(01) SHIELDS, RH

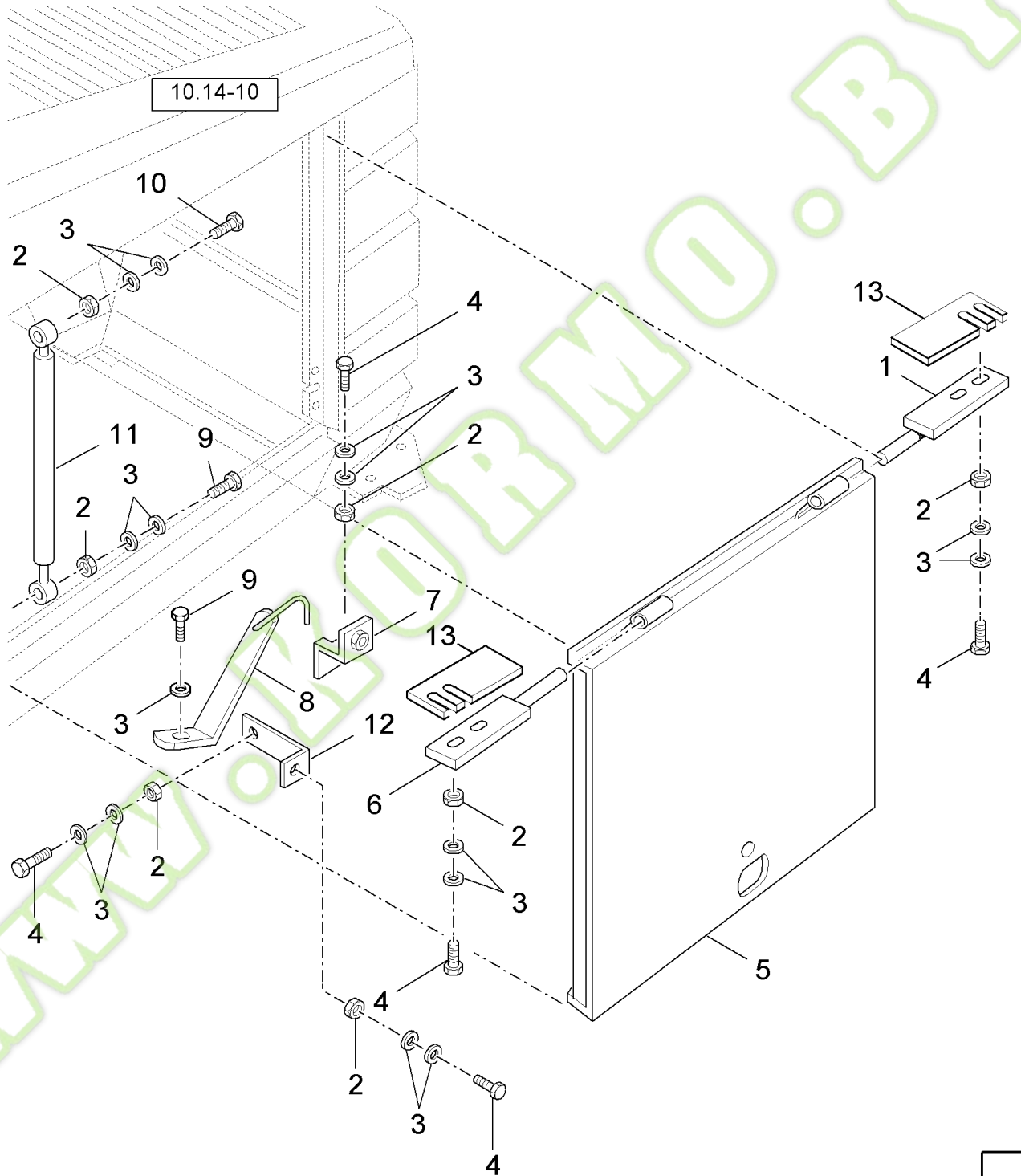
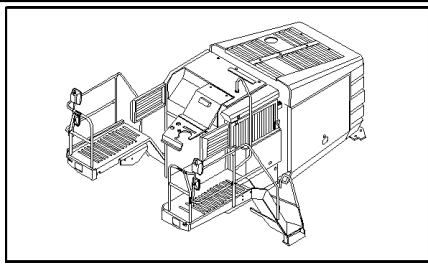


## FX48 SELF-PROPELLED FORAGE HARVESTER (9/98- )

10.12(01) SHIELDS, RH

Ref	Part Number	Qty	Description
1	89812798	1	HINGE,
2	100015	7	NUT, {PP:80100015} M8, CI 8, M8
3	322358	17	WASHER, LOCK, {PP:80322358} Belleville, M8, 8MM
4	80120104	7	SCREW, M8x20
5	84001225	1	SHIELD, , BSN C173
5	84432140	1	SHIELD, , ASN D174
6	89812799	1	HINGE,
7	84015292	1	LOCK,
8	84001909	1	SUPPORT,
9	43128	2	SCREW, {PP:80043128} Hex, M8 x 30, 8.8, Cap, HH, CL 8.8, M8 x 1.25 x 30
10	120106	1	SCREW, {PP:80120106} Hex, M8 x 40, 8.8, Full Thd, Hex, M8 x 40, 8.8, Full Thd
11	84015664	1	SHOCK ABSORBER,
12	84056062	AR	SEAL PROTECTION, L=6000MM
13	84035131	1	BRACKET,
14	84071345	2	SHIM,

10.13(01) SHIELDS, LH



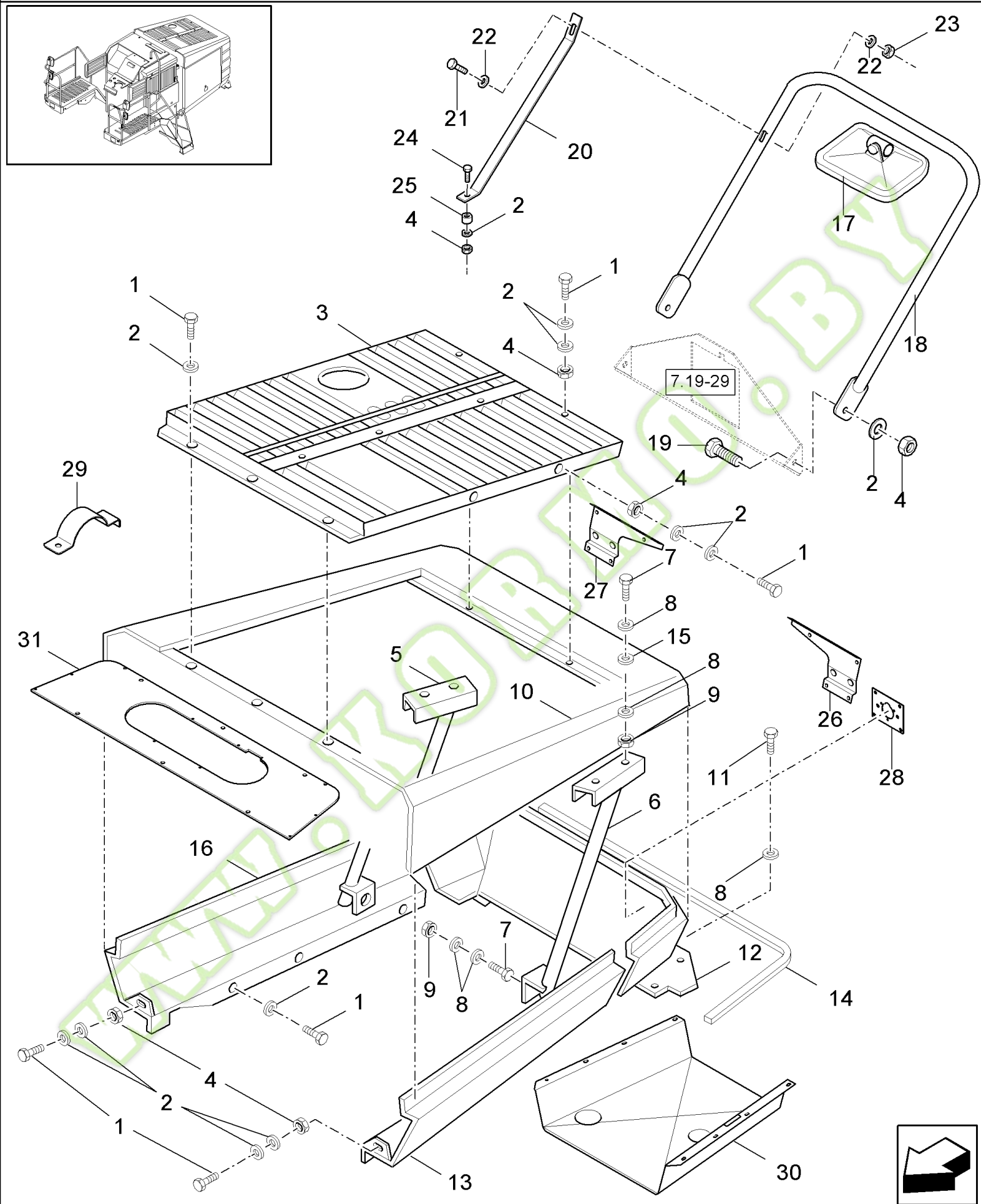
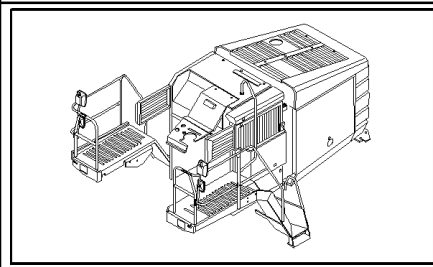
## FX48 SELF-PROPELLED FORAGE HARVESTER (9/98- )

10.13(01) SHIELDS, LH

Ref	Part Number	Qty	Description
1	89812798	1	HINGE,
2	100015	8	NUT, {PP:80100015} M8, CI 8, M8
3	322358	19	WASHER, LOCK, {PP:80322358} Belleville, M8, 8MM
4	80120104	8	SCREW, M8x20
5	89812809	1	SHIELD, , BSN C173
5	84432137	1	SHIELD, , ASN D174
6	89812799	1	HINGE,
7	84015292	1	LOCK,
8	84001908	1	SUPPORT,
9	43128	2	SCREW, {PP:80043128} Hex, M8 x 30, 8.8, Cap, HH, CL 8.8, M8 x 1.25 x 30
10	120106	1	SCREW, {PP:80120106} Hex, M8 x 40, 8.8, Full Thd, Hex, M8 x 40, 8.8, Full Thd
11	84015664	1	SHOCK ABSORBER,
12	84035131	1	BRACKET,
13	84071345	2	SHIM,



10.14(01) SHIELDS, ENGINE

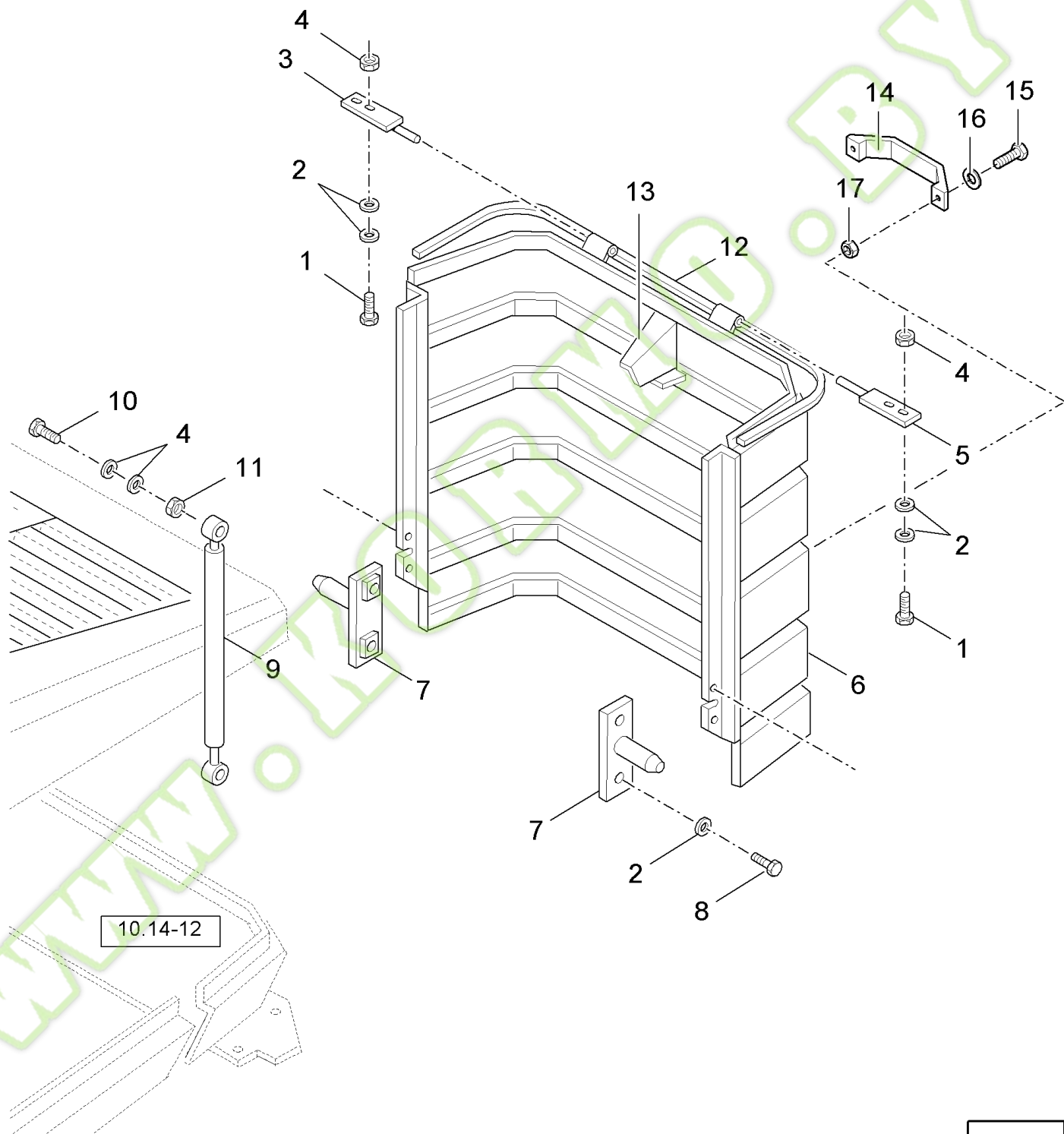
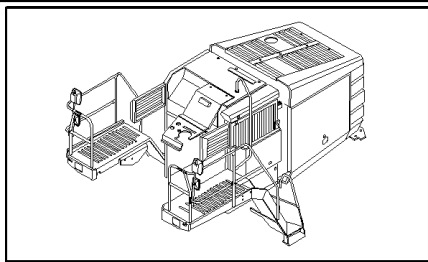


## FX48 SELF-PROPELLED FORAGE HARVESTER (9/98- )

## 10.14(01) SHIELDS, ENGINE

Ref	Part Number	Qty	Description
1	80120104	21	SCREW, M8x20
2	322358	33	WASHER, LOCK, {PP:80322358} Belleville, M8, 8MM
3	84061378	1	COVER, , BSN C173
3	84432133	1	GRILLE, , BSN F174217
3	84432133	1	GRILLE, , FOR FX58 ONLY, ASN D218
3	84076176	1	GRILLE, , FOR FX28-38-48 ONLY, ASN D218
4	100015	12	NUT, {PP:80100015} M8, CI 8, M8
5	89812796	1	SUPPORT, , FOR FX28-38-48 ONLY, BSN C217
5	84434029	1	SUPPORT, , FOR FX28-38-48 ONLY, ASN D218
5	84052841	1	SUPPORT, , FOR FX58 ONLY
6	89812797	1	SUPPORT, , FOR FX28-38-48 ONLY, BSN C217
6	84434013	1	SUPPORT, , FOR FX28-38-48 ONLY, ASN D218
6	84052835	1	SUPPORT, , FOR FX58 ONLY
7	43140	6	BOLT, {PP:80043140} Hex, M10 x 30, 8.8, M10x30
8	140045	20	WASHER, LOCK, {PP:80140045} Belleville, M10, 10MM
9	100016	6	NUT, {PP:80100016} M10, CI 8, 10MM
10	84061302	1	COVER, , BSN C173
10	84432135	1	COVER, , BSN F174217
10	84432135	1	COVER, , FOR FX58 ONLY, ASN D218
10	84073284	1	PLATE, , FOR FX28-38-48 ONLY, ASN D218
11	120109	6	SCREW, {PP:80120109} Hex, M10 x 20, 8.8, Full Thd, M10x20
12	84052953	1	GUARD, , BSN C217
12	84434033	1	GUARD, , NOT FOR NA, ASN D218
12	84052951	1	GUARD, , FOR NA ONLY, BSN C217
12	84434034	1	GUARD, , FOR NA ONLY, ASN D218
13	84001904	1	PROFILE,
14	84056062	AR	SEAL PROTECTION, L=6000MM
15	378244	AR	WASHER, LOCK, {PP:80378244} 10MM
16	84001905	1	PROFILE,
17	437650	1	MIRROR, REAR-VIEW, {PP:80437650} , FOR NA ONLY
18	447006	1	SUPPORT, {PP:80447006} , FOR NA ONLY
20	84989435	2	SUPPORT, , ASN D148
21	43117	2	SCREW, {PP:80043117} Hex, M6 x 30, 8.8, M6x30
22	140045	4	WASHER, LOCK, {PP:80140045} Belleville, M10, 6MM
23	353308	2	NUT, {PP:80353308} M6 x 1, CI 8, M6
24	43130	2	SCREW, {PP:80043130} Hex, M8 x 50, 8.8, M8x50
25	84064463	2	BUSHING, , ASN D148
26	84434015	1	PLATE, LH, FOR FX28-38-48 ONLY, ASN D218
27	84434012	1	PLATE, RH, FOR FX28-38-48 ONLY, ASN D218
28	84434010	1	PLATE, , FOR FX28-38-48 ONLY, ASN D218
29	84435832	4	CLAMP, , FOR FX28-38-48 ONLY, ASN D218
30	84434269	1	GUARD, , FOR FX28-38-48 ONLY, ASN D218
30	84434832	1	GUARD, , FOR FX58 ONLY, ASN D218
31	84073308	1	PLATE, , FOR FX28-38-48 ONLY, ASN D218
19	16043224	2	SCREW, Hex, M8 x 16, 8.8, Full Thd, M8x16

10.15(01) REAR SHIELDS

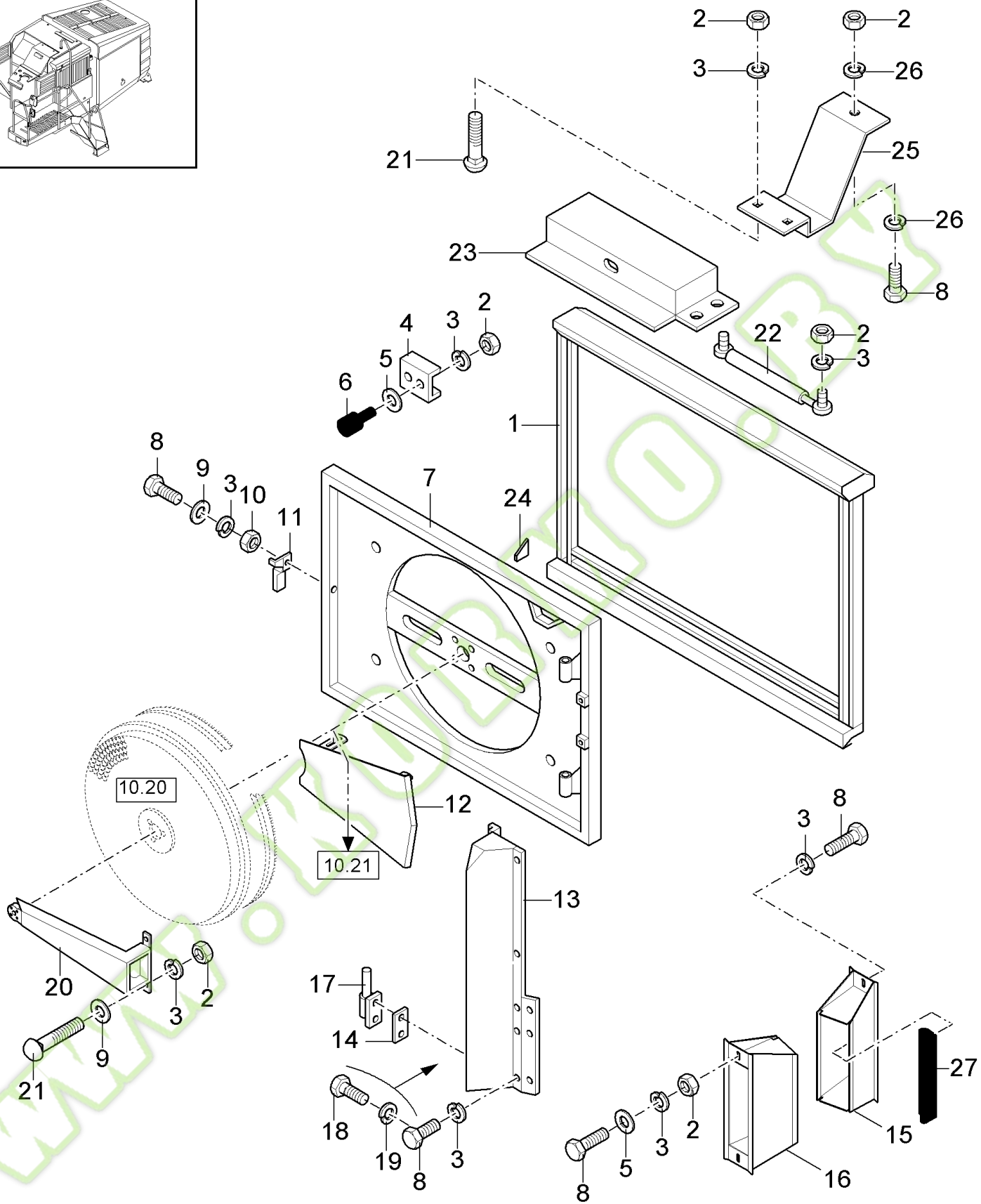
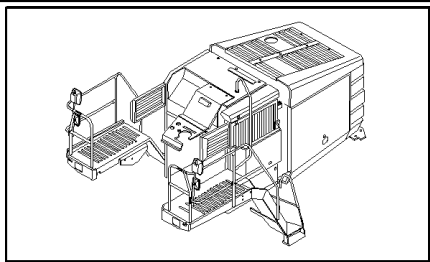


## FX48 SELF-PROPELLED FORAGE HARVESTER (9/98- )

## 10.15(01) REAR SHIELDS

Ref	Part Number	Qty	Description
1	80120104	4	SCREW, M8x20
2	322358	10	WASHER, LOCK, {PP:80322358} Belleville, M8, 8MM
3	89812799	1	HINGE,
4	100015	4	NUT, {PP:80100015} M8, CI 8, M8
5	89812798	1	HINGE,
6	84052599	1	GUARD, , BSN C173
6	84432131	1	GUARD, , BSN F174217
6	84433410	1	GUARD, , ASN D218
7	84001228	2	BRACKET,
9	89814770	1	SHOCK ABSORBER,
10	43128	2	SCREW, {PP:80043128} Hex, M8 x 30, 8.8, Cap, HH, CL 8.8, M8 x 1.25 x 30
11	100067	2	NUT, {PP:80100067} M8 x 1.25", CI 8, M8
12	84056062	AR	SEAL PROTECTION, L=6000MM
13	84057806	1	SUPPORT,
14	89837395	1	HANDLE,
15	80043118	2	SCREW, Cap, HH, CL 8.8, M6 x 1 x 40
16	322357	2	WASHER, LOCK, {PP:80322357} Belleville, M6, Belleville, M6
17	9706755	2	NUT, {PP:89706755} M6, CI 8, M6
8	16043224	4	SCREW, Hex, M8 x 16, 8.8, Full Thd, M8x16

10.16(01) ROTARY SCREEN, SHIELDS, LH

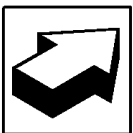
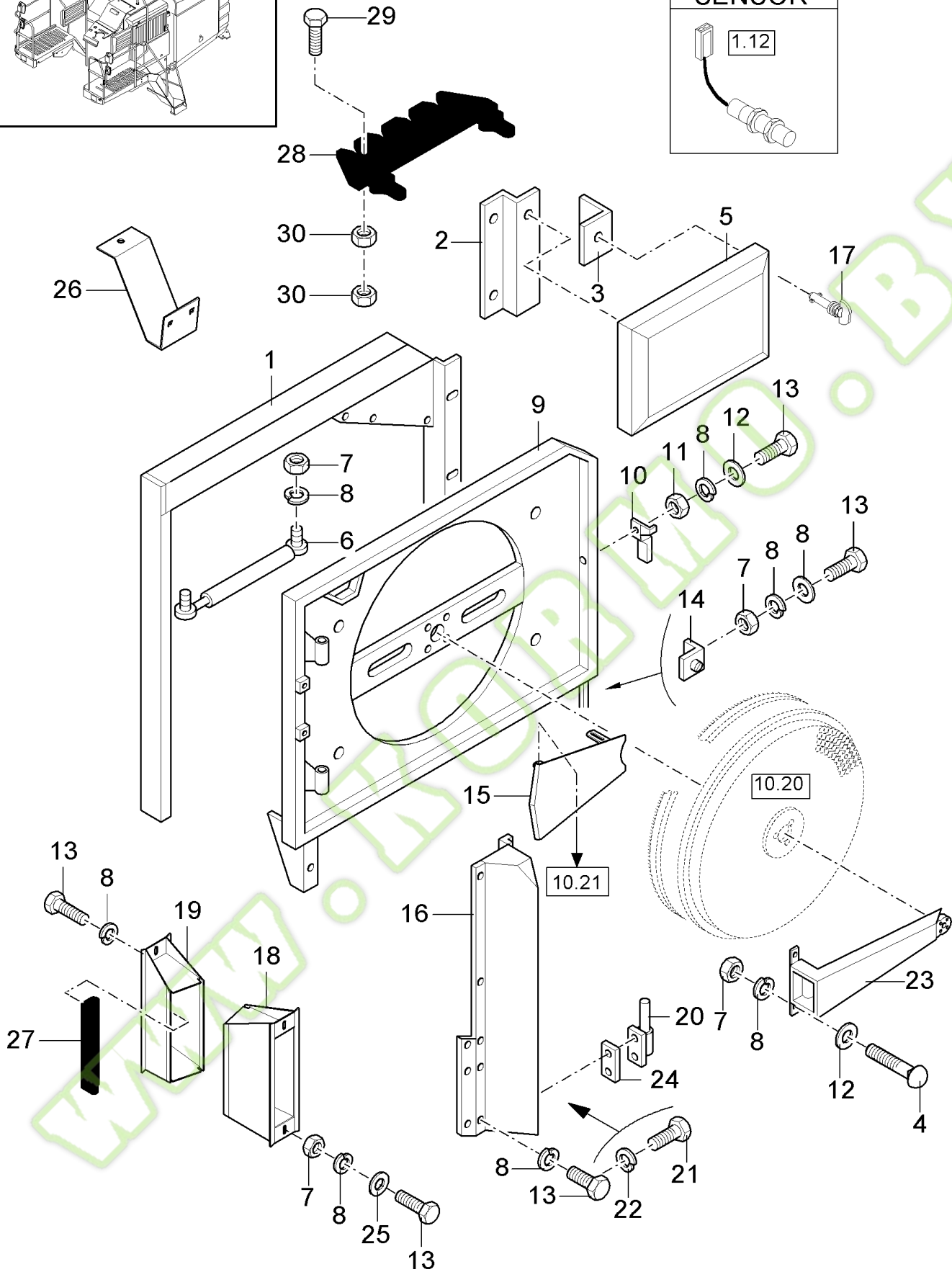
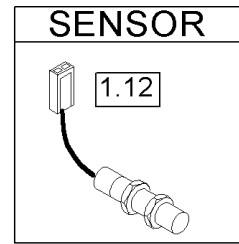
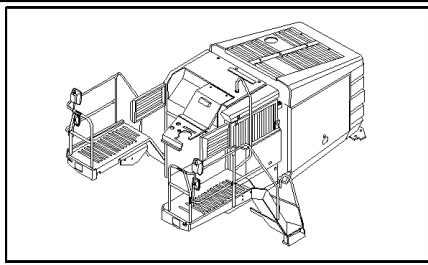


## FX48 SELF-PROPELLED FORAGE HARVESTER (9/98- )

## 10.16(01) ROTARY SCREEN, SHIELDS, LH

Ref	Part Number	Qty	Description
1	84061515	1	FRAME, , BSN C217
1	84334667	1	FRAME, , ASN D218
2	89706690	AR	NUT, CL 8, M8 x 1.25 x 13.0
3	322358	AR	WASHER, LOCK, {PP:80322358} Belleville, M8, 8MM
4	84022302	2	SUPPORT,
5	140042	AR	WASHER, LOCK, {PP:80140042} M10 x 34 x 3, 10MM
6	84023516	2	SHOCK ABSORBER,
7	84062434	1	DOOR,
8	80120104	6	SCREW, M8x20
9	378243	3	WASHER, {PP:80378243} 8MM
10	100067	1	NUT, {PP:80100067} M8 x 1.25", CI 8, M8
11	84062306	1	HANDLE,
12	84022904	1	SHIELD, , BSN C217
12	84435758	1	SHIELD, , ASN D218
13	84061777	1	SHIELD, , BSN C217
13	84334114	1	SHIELD, , ASN D218
14	84062404	AR	SHIM,
15	84023015	1	TUBE, RIGID, , BSN C217
15	84806133	1	TUBE, , FOR FX58 ONLY, ASN D218
16	84023238	1	CASE, , BSN C217
16	84806138	1	CASE, , FOR FX58 ONLY, ASN D218
17	84021281	2	HINGE,
18	43140	4	BOLT, {PP:80043140} Hex, M10 x 30, 8.8, M10x30, FOR NA ONLY
19	140045	4	WASHER, LOCK, {PP:80140045} Belleville, M10, 10MM
20	84031690	1	DUCT, AIR,
21	120037	AR	BOLT, {PP:80120037} Short NK, M8 x 20, CI8.8, Full Thd, M8x20
22	9812214	1	SHOCK ABSORBER, {PP:89812214}
23	84002372	1	PLATE, , FOR FX28-38-48 ONLY, BSN C217
23	84334191	1	PLATE, , FOR FX28-38-48 ONLY, ASN D218
23	84057905	1	PLATE, , FOR FX58 ONLY
24	84001344	AR	PLATE, COVER,
25	84433694	1	SUPPORT, , ASN D218
26	412650	AR	WASHER, LOCK, {PP:80412650} Belleville, M8, 8MM
27	84056063	AR	SEAL PROTECTION, L=6000MM

10.17(01) ROTARY SCREEN, SHIELDS, RH



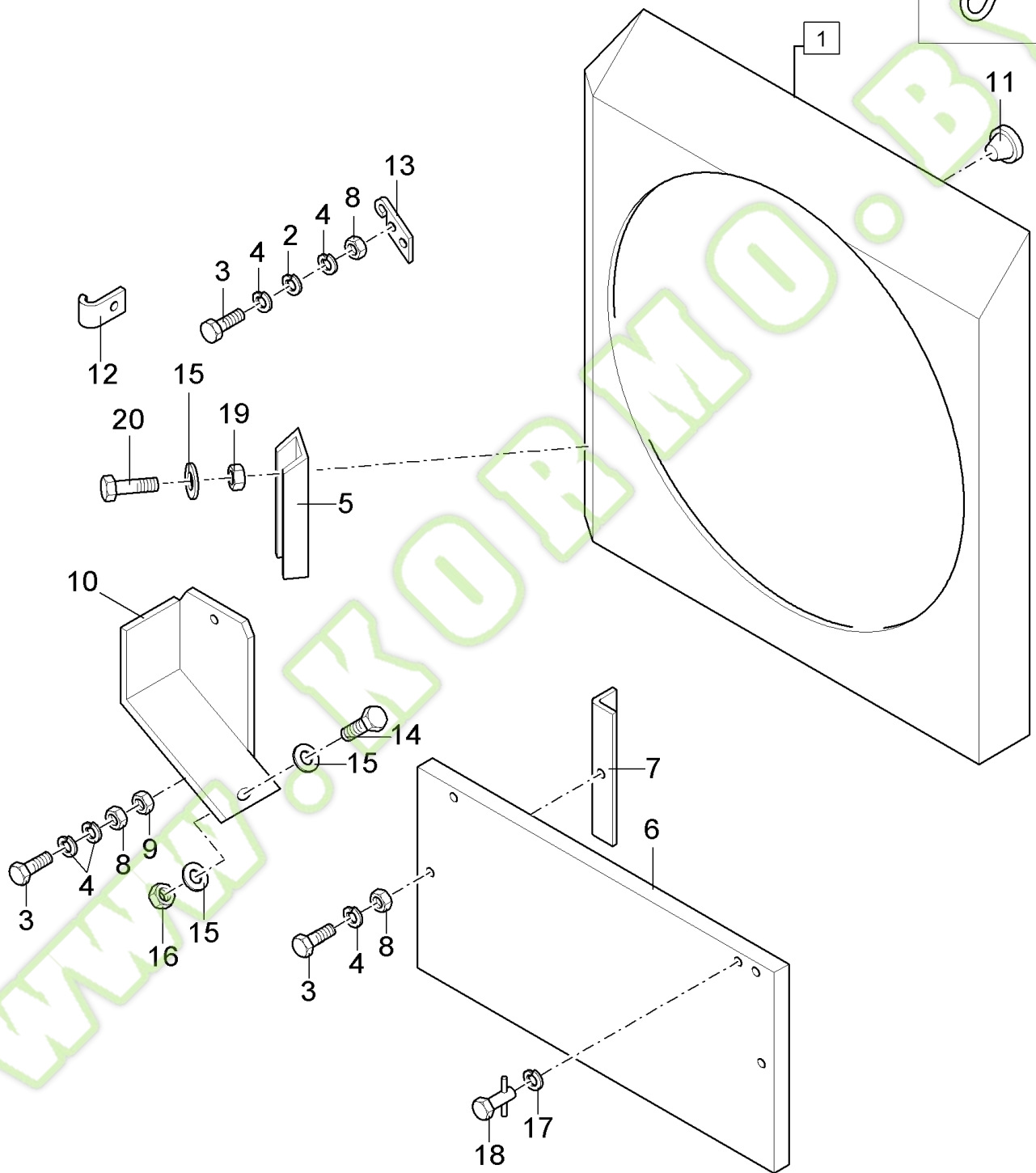
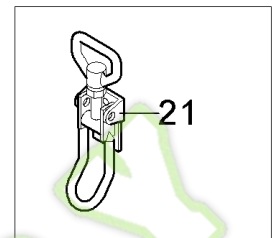
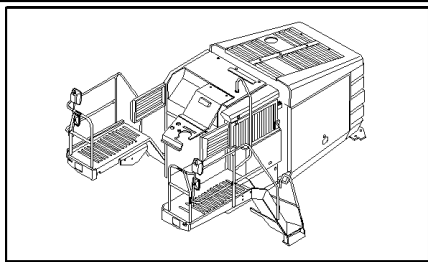
## FX48 SELF-PROPELLED FORAGE HARVESTER (9/98- )

## 10.17(01) ROTARY SCREEN, SHIELDS, RH

Ref	Part Number	Qty	Description
1	84061558	1	FRAME, , BSN C217
1	84434723	1	FRAME, , ASN D218
2	84002398	1	BRACKET,
3	84002396	1	BRACKET,
4	120037	2	BOLT, {PP:80120037} Short NK, M8 x 20, CI 8.8, Full Thd, M8x20
5	84002404	1	COVER,
6	9812214	1	SHOCK ABSORBER, {PP:89812214}
7	100015	9	NUT, {PP:80100015} M8, CI 8, M8
8	322358	9	WASHER, LOCK, {PP:80322358} Belleville, M8, 8MM
9	84062433	1	DOOR,
10	84062307	1	HANDLE,
11	100067	1	NUT, {PP:80100067} M8 x 1.25", CI 8, M8
12	378243	AR	WASHER, {PP:80378243} 8MM
13	80120104	7	SCREW, M8x20
14	84015292	1	LOCK,
15	84022904	1	SHIELD, , BSN C217
15	84435758	1	SHIELD, , ASN D218
16	84061757	1	SHIELD, , BSN C217
16	84334115	1	SHIELD, , ASN D218
17	9831581	1	LOCK, {PP:89831581}
18	84023238	1	CASE, , BSN C217
18	84806138	1	CASE, , FOR FX58 ONLY, ASN D218
19	84023015	1	TUBE, RIGID, , BSN C217
19	84806133	1	TUBE, , FOR FX58 ONLY, ASN D218
20	84021282	2	HINGE,
21	43140	4	BOLT, {PP:80043140} Hex, M10 x 30, 8.8, M10x30, FOR FX58 ONLY
22	140045	4	WASHER, LOCK, {PP:80140045} Belleville, M10, 10MM
23	84031690	1	DUCT, AIR,
24	84062404	3	SHIM,
25	140042	2	WASHER, LOCK, {PP:80140042} M10 x 34 x 3,
26	84433695	1	SUPPORT, , ASN D218
27	84056063	1	SEAL PROTECTION, L=6000MM
28	52367	1	UTILITY HOLDER, {PP:80052367}
29	80536887	4	SCREW, SHEAR
30	9706755	8	NUT, {PP:89706755} M6, CI 8, M6



10.18(01) ROTARY SCREEN, SHIELDS, LH

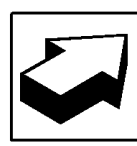
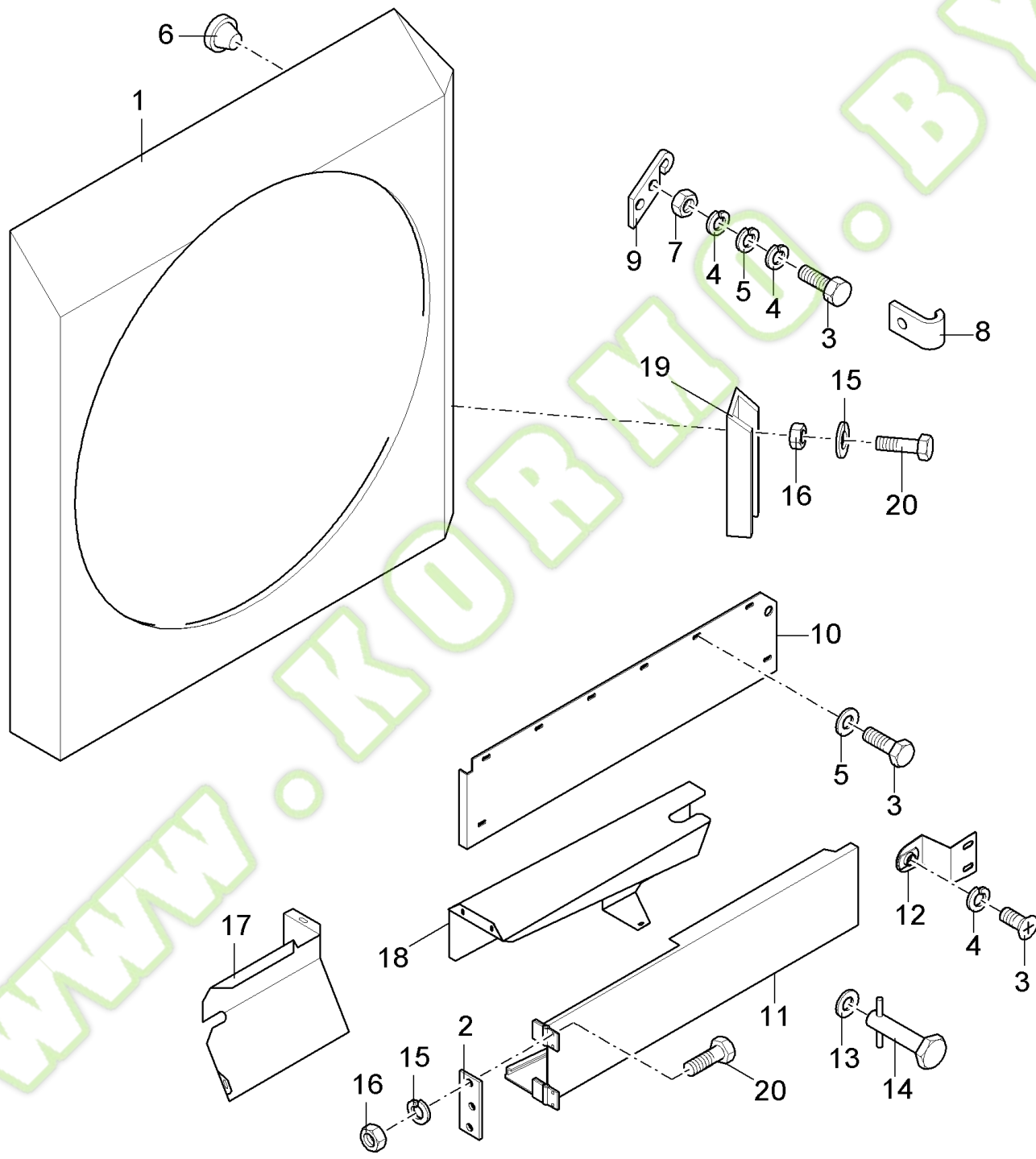
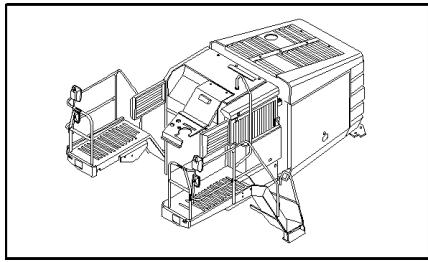


## FX48 SELF-PROPELLED FORAGE HARVESTER (9/98- )

## 10.18(01) ROTARY SCREEN, SHIELDS, LH

Ref	Part Number	Qty	Description
1	84062270	1	DOOR, (21)
2	378243	4	WASHER, {PP:80378243}
3	80120104	10	SCREW, M8x20
4	322358	20	WASHER, LOCK, {PP:80322358} Belleville, M8, 8MM
5	89837395	1	HANDLE,
6	84057312	1	SHIELD,
7	84002727	2	BRACKET,
8	100015	8	NUT, {PP:80100015} M8, CI 8, M8
9	100067	2	NUT, {PP:80100067} M8 x 1.25", CI 8, M8
10	84002392	1	PLATE, COVER,
11	331233	AR	PLUG, {PP:80331233}
12	84074374	1	HOOK, , BSN C177
12	84429117	1	HOOK, , ASN D178
13	84023084	1	HOOK,
14	120100	1	BOLT, {PP:80120100} Hex, M6 x 20, 8.8, M6x20
15	322357	2	WASHER, LOCK, {PP:80322357} Belleville, M6, Belleville, M6
16	100004	1	NUT, WING, {PP:80100004} M6
17	9514605	AR	RING, LOCKING, {PP:89514605}
18	89514603	AR	LOCK,
19	9706755	2	NUT, {PP:89706755} M6, CI 8, M6
20	80120099	2	SCREW, Hex, M6 x 16, 8.8, M6x16
21	84043033	1	CLAMP, , WELD-ON

10.19(01) ROTARY SCREEN, SHIELDS, RH

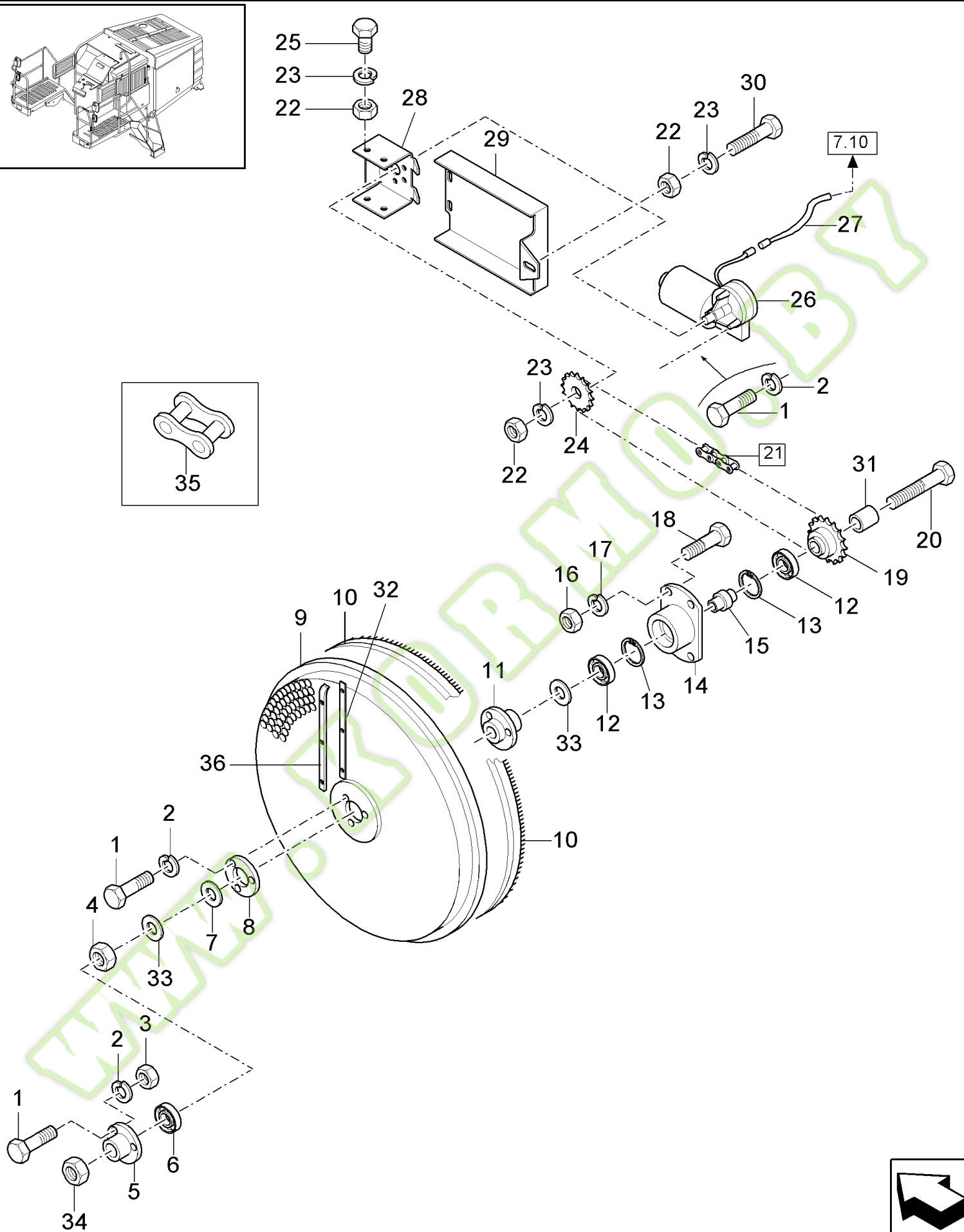
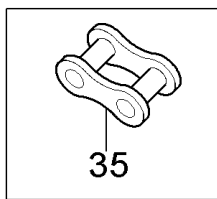
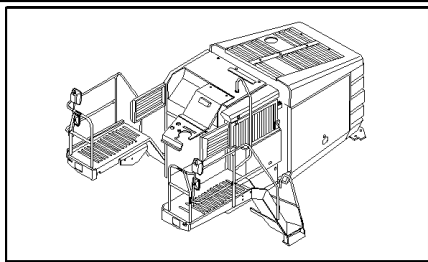


## FX48 SELF-PROPELLED FORAGE HARVESTER (9/98- )

## 10.19(01) ROTARY SCREEN, SHIELDS, RH

Ref	Part Number	Qty	Description
1	84062269	1	DOOR,
2	84045345	2	PLATE, COVER,
3	80120104	AR	SCREW, M8x20
4	322358	AR	WASHER, LOCK, {PP:80322358} Belleville, M8, 8MM
5	378243	6	WASHER, {PP:80378243} 8MM
6	331233	AR	PLUG, {PP:80331233}
7	100015	4	NUT, {PP:80100015} M8, CI 8, M8
8	84074374	1	HOOK, , BSN C177
8	84429117	1	HOOK, , ASN D178
9	84023085	1	HOOK,
10	84039179	1	PLATE,
11	84045351	1	DOOR,
12	84045338	1	SUPPORT,
13	9514605	1	RING, LOCKING, {PP:89514605}
14	89514603	1	LOCK,
15	322357	4	WASHER, LOCK, {PP:80322357} Belleville, M6, Belleville, M6
16	9706755	4	NUT, {PP:89706755} M6, CI 8, M6
17	84039120	1	GUARD, , BSN C217
17	84334152	1	GUARD, , FOR FX28-38-48 ONLY, ASN D218
17	84039120	1	GUARD, , FOR FX58 ONLY, ASN D218
18	84039142	1	PLATE, COVER,
19	89837395	1	HANDLE,
20	80120099	AR	SCREW, Hex, M6 x 16, 8.8, M6x16

10.20(01) ROTARY SCREEN DRIVE

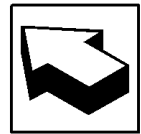
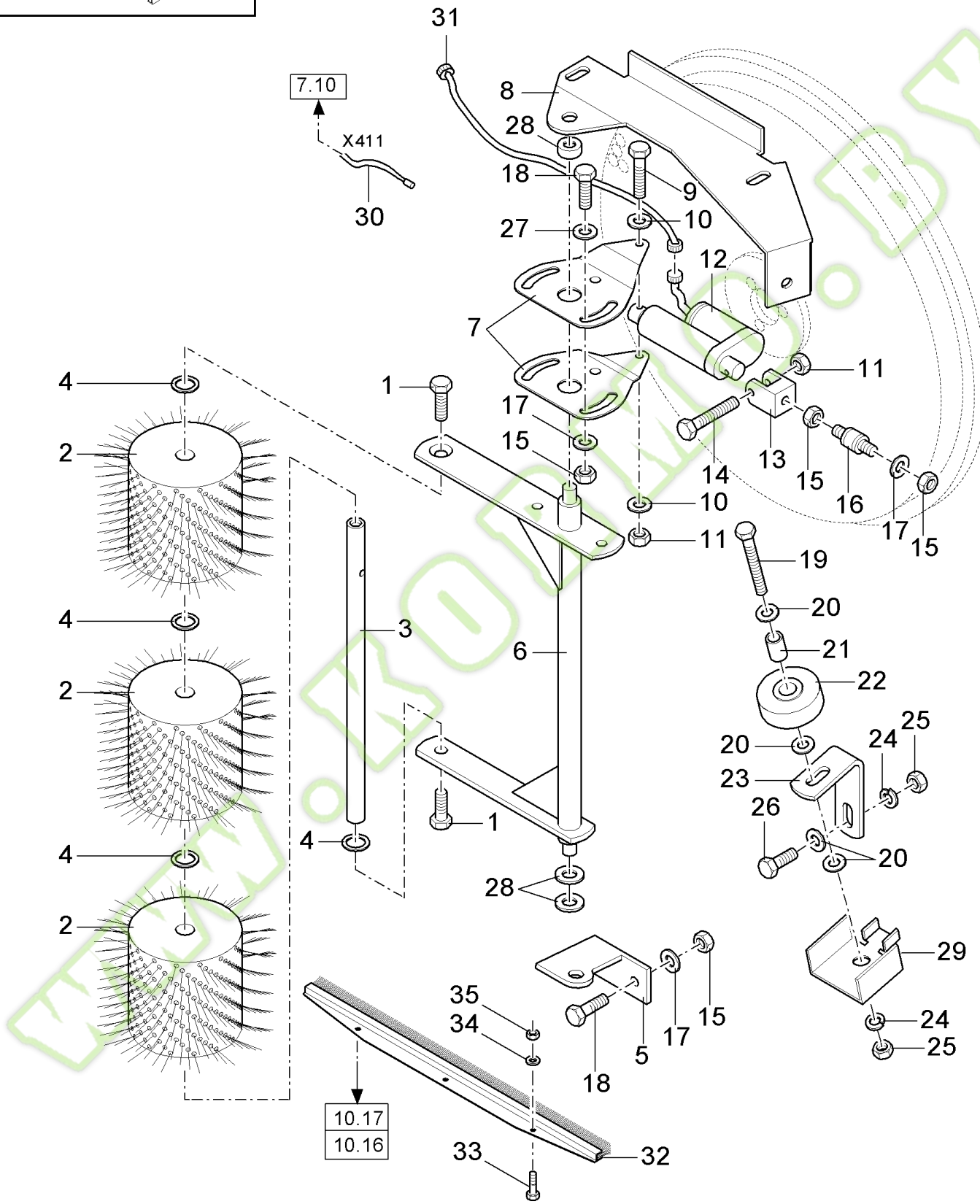
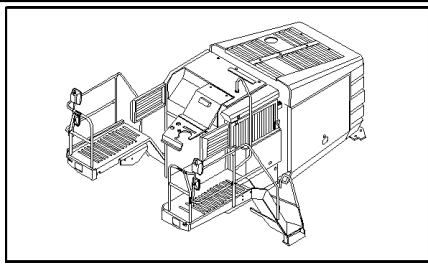


## FX48 SELF-PROPELLED FORAGE HARVESTER (9/98- )

## 10.20(01) ROTARY SCREEN DRIVE

Ref	Part Number	Qty	Description
1	80120099	24	SCREW, Hex, M6 x 16, 8.8, M6x16
2	322357	24	WASHER, LOCK, {PP:80322357} Belleville, M6, Belleville, M6
3	9706755	6	NUT, {PP:89706755} M6, CI 8, M6
4	100095	2	NUT, {PP:80100095} Thin, M16 x 2, CI 04, M16
5	365018	2	FLANGE, {PP:80365018}
6	362804	2	BEARING, BALL, {PP:80362804}
7	140048	2	WASHER, LOCK, {PP:80140048} Belleville, M16, 16MM
8	753576	2	SUPPORT, {PP:80753576}
9	84062422	2	COVER,
10	84041694	2	BRUSH,
11	84021441	2	HUB,
12	443898	4	BEARING ASSY, {PP:80443898}
13	370011	4	CIRCLIP, {PP:80370011}
14	84021443	2	HOUSING, BEARING,
15	84017221	2	BUSHING,
16	100016	8	NUT, {PP:80100016} M10, CI 8, M10
17	140045	8	WASHER, LOCK, {PP:80140045} Belleville, M10, 10MM
18	43140	8	BOLT, {PP:80043140} Hex, M10 x 30, 8.8, M10x30
19	84041168	2	SPROCKET, DRIVEN,
20	120251	2	SCREW, {PP:80120251} Hex, M16 x 170, 8.8, M16x170
21	84041170	2	CHAIN, (35)
22	100015	10	NUT, {PP:80100015} M8, CI 8, M8
23	322358	10	WASHER, LOCK, {PP:80322358} Belleville, M8, 8MM
24	84026005	2	SPROCKET, DRIVEN,
25	120037	4	BOLT, {PP:80120037} Short NK, M8 x 20, CI8.8, Full Thd, M8x20
26	84038950	2	MOTOR, ELECTRIC,
27	84002282	1	HARNESS, WIRE,
28	84041166	2	SUPPORT,
29	84041942	1	SHIELD, RH
29	84041943	1	SHIELD, LH
30	120109	AR	SCREW, {PP:80120109} Hex, M10 x 20, 8.8, Full Thd, M8x20
31	84041177	2	BUSHING,
32	84062380	2	PLATE, RETAINING,
33	378246	AR	WASHER, {PP:80378246} 16MM
34	100039	2	NUT, {PP:80100039} M16 x 2, CI 8, M16
35	362816	AR	CONNECTOR, HYD., {PP:80362816}
36	84062382	2	PLATE, COVER,

10.21(01) CLEANING BRUSH

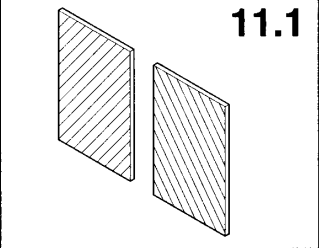
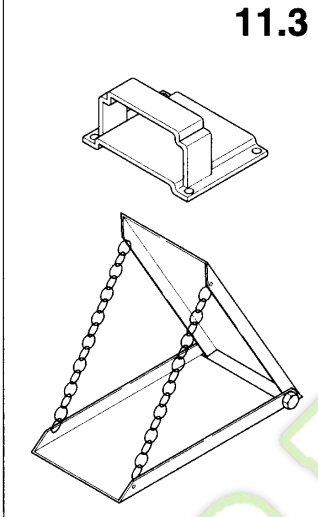
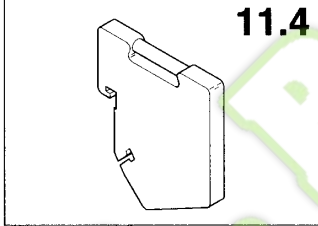
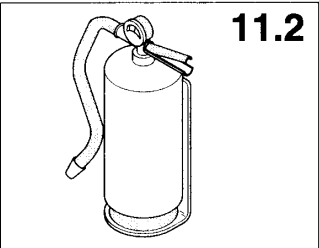
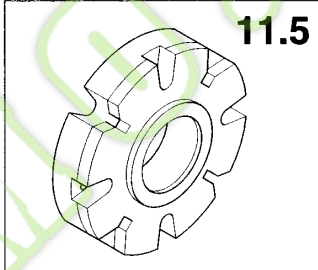
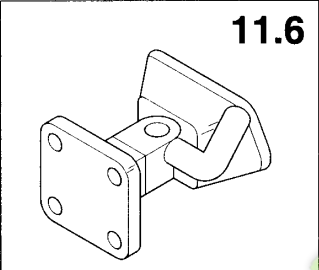
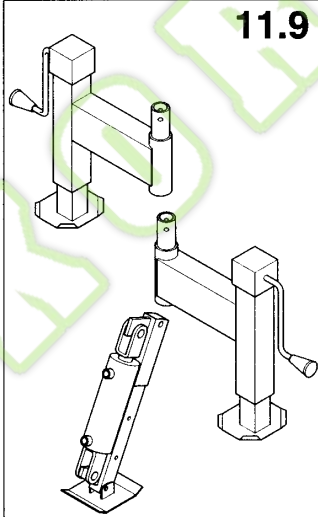
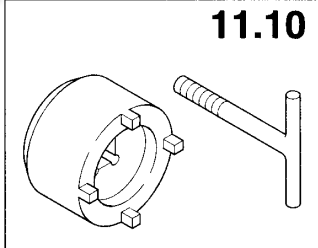
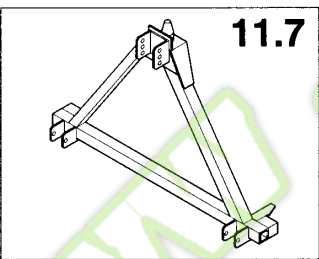
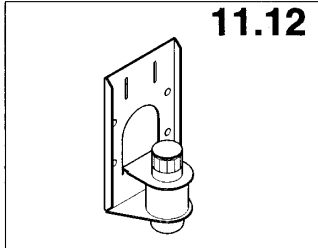
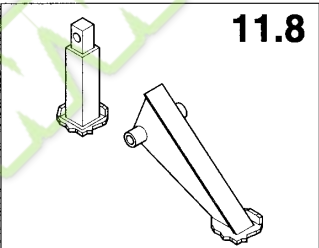
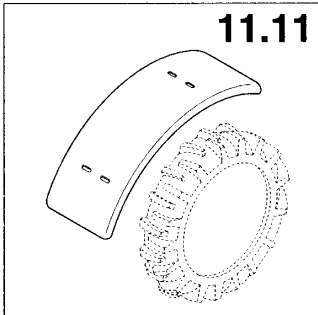
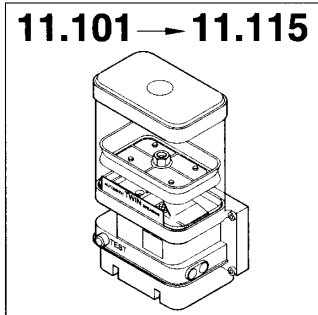


## FX48 SELF-PROPELLED FORAGE HARVESTER (9/98- )

## 10.21(01) CLEANING BRUSH

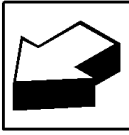
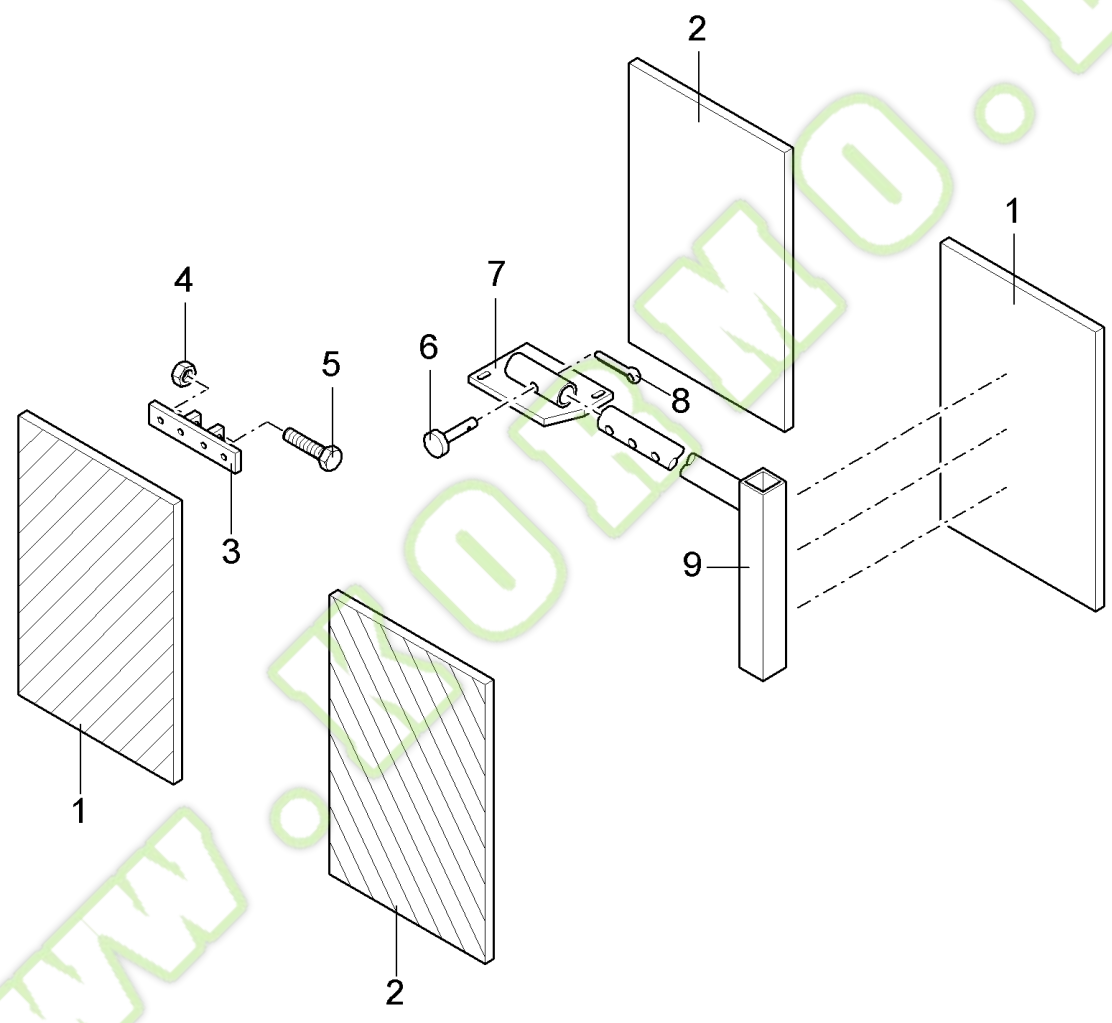
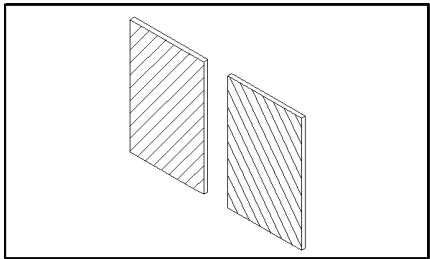
Ref	Part Number	Qty	Description
1	393698	4	SCREW, {PP:80393698} Hex Soc Flat Hd, M10 x 25, 8.8,
2	84041623	6	BRUSH,
3	84032419	2	SHAFT,
4	84042957	6	WASHER,
5	84077353	2	BRACKET,
6	84032410	2	SUPPORT,
7	84041713	4	PLATE, COVER,
8	84041739	1	SUPPORT, LH, BSN C217
8	84073428	1	SUPPORT, LH, ASN D218
8	84041740	1	SUPPORT, RH, BSN C217
8	84073430	1	SUPPORT, RH, ASN D218
9	120056	2	SCREW, {PP:80120056} Hex, M6 x 50, 8.8, M6X50
10	140015	4	WASHER, {PP:80140015} 6MM
11	353308	4	NUT, {PP:80353308} M6 x 1, CI 8, M6
12	84036177	2	ACTUATOR, , BSN C135
12	84077516	2	ACTUATOR, , ASN D136
13	84026054	2	SUPPORT,
14	80120102	2	SCREW, M6X40
15	89706690	14	NUT, CL 8, M8 x 1.25 x 13.0
16	393802	2	SHOCK ABSORBER, {PP:80393802} , BSN C217
16	84057804	2	DAMPER, , ASN D218
17	322358	12	WASHER, LOCK, {PP:80322358} Belleville, M8, 8MM
18	80120104	10	SCREW, M8X20
19	120069	4	SCREW, {PP:80120069} Hex, M10 x 50, 8.8, M10X50
20	378244	16	WASHER, LOCK, {PP:80378244} 10MM
21	921989	4	SPACER, {PP:80921989}
22	84041753	4	ROLLER,
23	84041762	4	BRACKET,
24	140045	8	WASHER, LOCK, {PP:80140045} Belleville, M10, 10MM
25	100016	8	NUT, {PP:80100016} M10, CI 8, M10
26	120109	4	SCREW, {PP:80120109} Hex, M10 x 20, 8.8, Full Thd, M10X20
27	378243	6	WASHER, {PP:80378243} 8MM
28	378245	AR	WASHER, {PP:80378245} 12MM
29	84062383	4	SHIELD,
30	84035381	1	HARNESS, WIRE,
31	84035513	1	HARNESS, WIRE,
32	84432110	2	BRUSH, , ASN D174
33	86585706	6	SCREW, Cross Pan Hd, M4 x 10, M4x10, BSN F174177
34	322355	6	WASHER, LOCK, {PP:80322355} Belleville, M4, 4MM, BSN F174177
35	100012	6	NUT, {PP:80100012} M4, CI 8, M4, BSN F174177



SECTIONS SEZIONI	SECTIONS ABSCHNITTE	SECCIONES SECÇÕES	AFSNIT SECTIES
<b>SEC. 11</b>			
 <b>11.1</b>	 <b>11.3</b>	 <b>11.4</b>	
 <b>11.2</b>		 <b>11.5</b>	
 <b>11.6</b>	 <b>11.9</b>	 <b>11.10</b>	
 <b>11.7</b>		 <b>11.12</b>	
 <b>11.8</b>	 <b>11.11</b>	 <b>11.101 → 11.115</b>	

Ref	Part Number	Qty	Description
<p>WWW.KORMO.BY</p>			

11.001(01) HAZARD WARNING PLATES



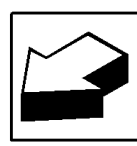
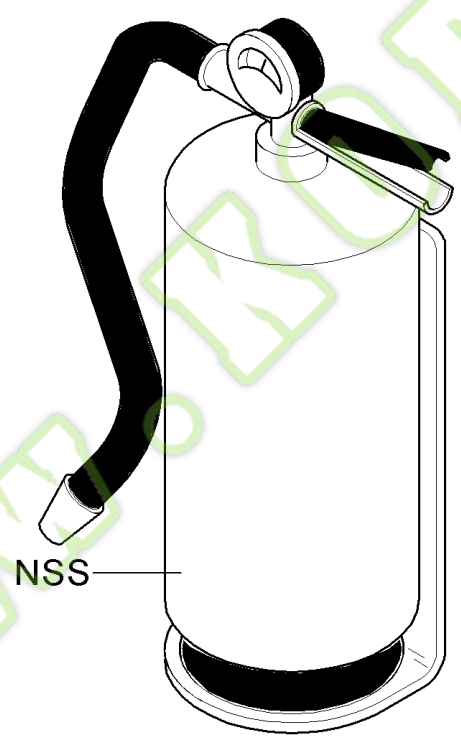
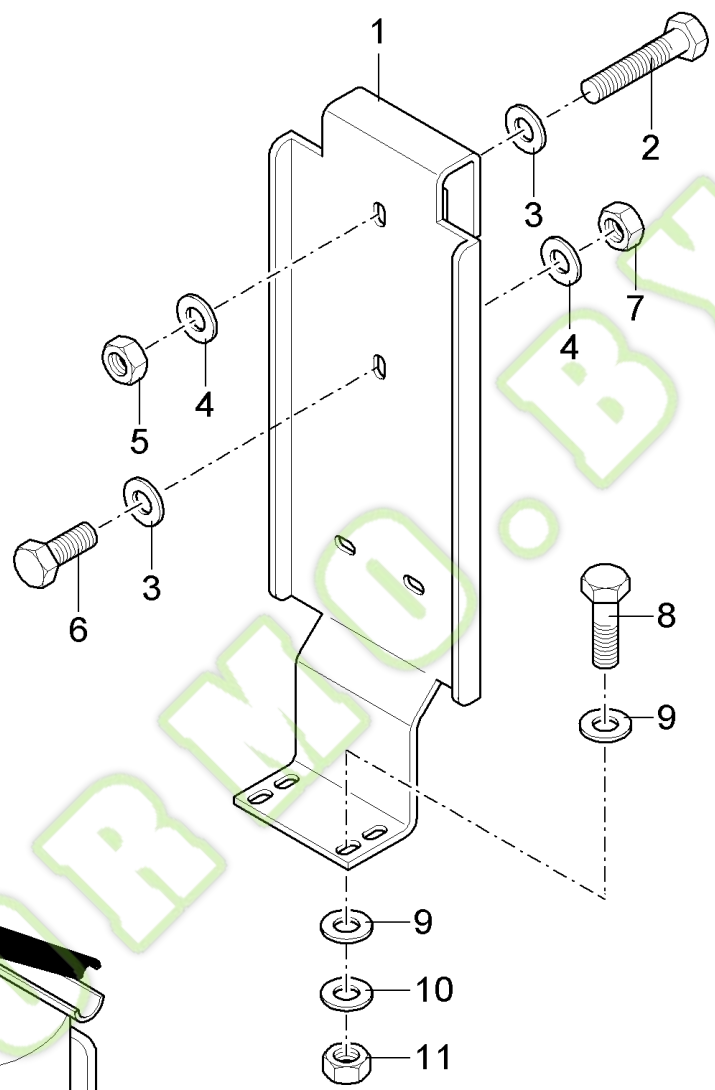
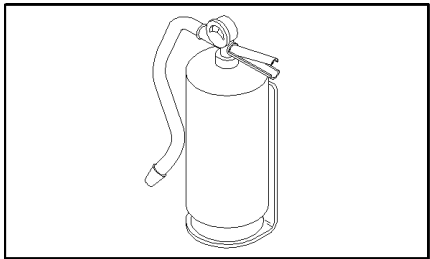
## FX48 SELF-PROPELLED FORAGE HARVESTER (9/98- )

## 11.001(01) HAZARD WARNING PLATES

Ref	Part Number	Qty	Description
1	84014756	2	PLATE,
2	84014755	2	PLATE,
3	84021411	4	SUPPORT,
4	100067	4	NUT, {PP:80100067} M8 x 1.25", CI 8, M8
5	120060	4	SCREW, {PP:80120060} Hex, M8 x 50, 8.8, M8x50
6	390040	2	PIN, {PP:80390040}
7	84021383	1	SUPPORT, LH
7	84021384	1	SUPPORT, RH
8	370539	2	PIN, SPLIT (COTTER), {PP:80370539}
9	84021387	2	SUPPORT,

WWW.KORMO.BY

11.002(01) FIRE EXTINGUISHER

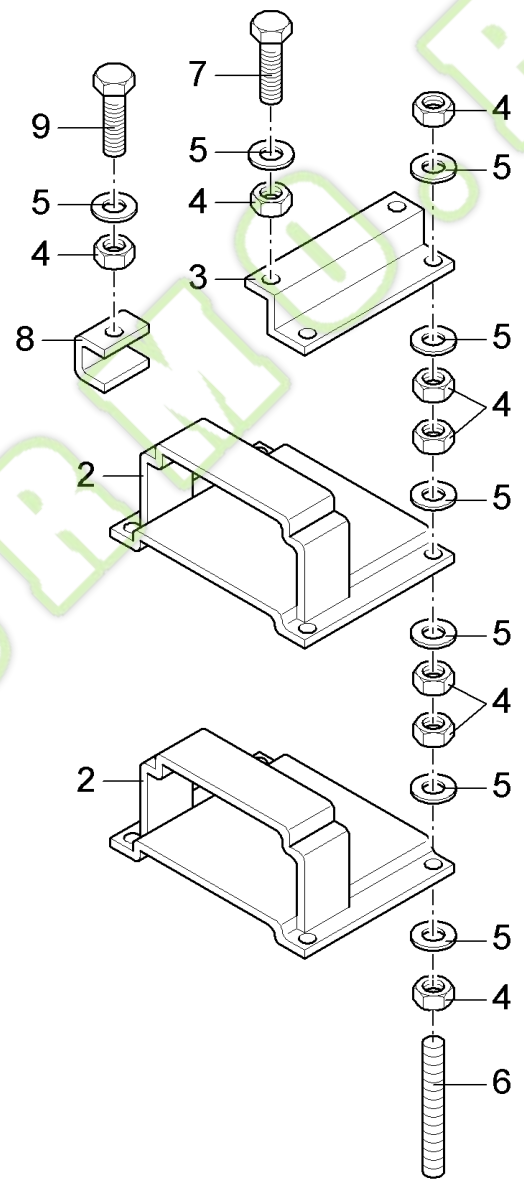
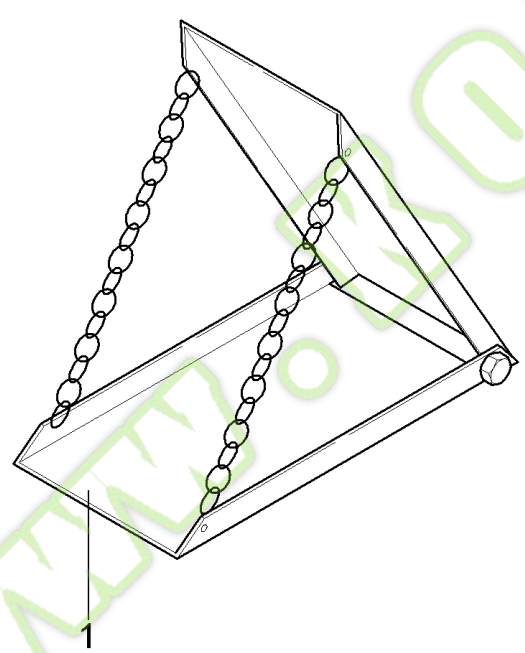
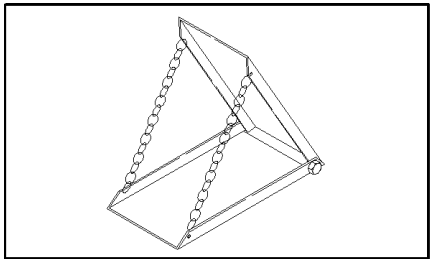


## 11.002(01) FIRE EXTINGUISHER

Ref	Part Number	Qty	Description
1	84068336	1	SUPPORT,
2	300508	2	SCREW, {PP:80300508} Hex, M6 x 45, 8.8, M6x45
3	140040	6	WASHER, {PP:80140040} M6 x 22 x 2, 6MM
4	412649	6	WASHER, LOCK, {PP:80412649} Belleville, M6, Belleville, M6
5	353308	2	NUT, {PP:80353308} M6 x 1, CI 8, M6
6	86508568	4	SCREW, Hex, M6 x 16, 8.8, M6x16
7	9706755	4	NUT, {PP:89706755} M6, CI 8, M6
8	120098	4	SCREW, {PP:80120098} Hex, M5 x 20, 8.8, Full Thd, M5x20
9	140182	8	WASHER, {PP:80140182} M5 x 18 x 2, 5.5MM
10	322356	4	WASHER, LOCK, {PP:80322356} 5MM
11	86508813	4	NUT, M4, CI 8, M5

WWW.KORMO.BY

11.003(01) CHOCK



## FX48 SELF-PROPELLED FORAGE HARVESTER (9/98- )

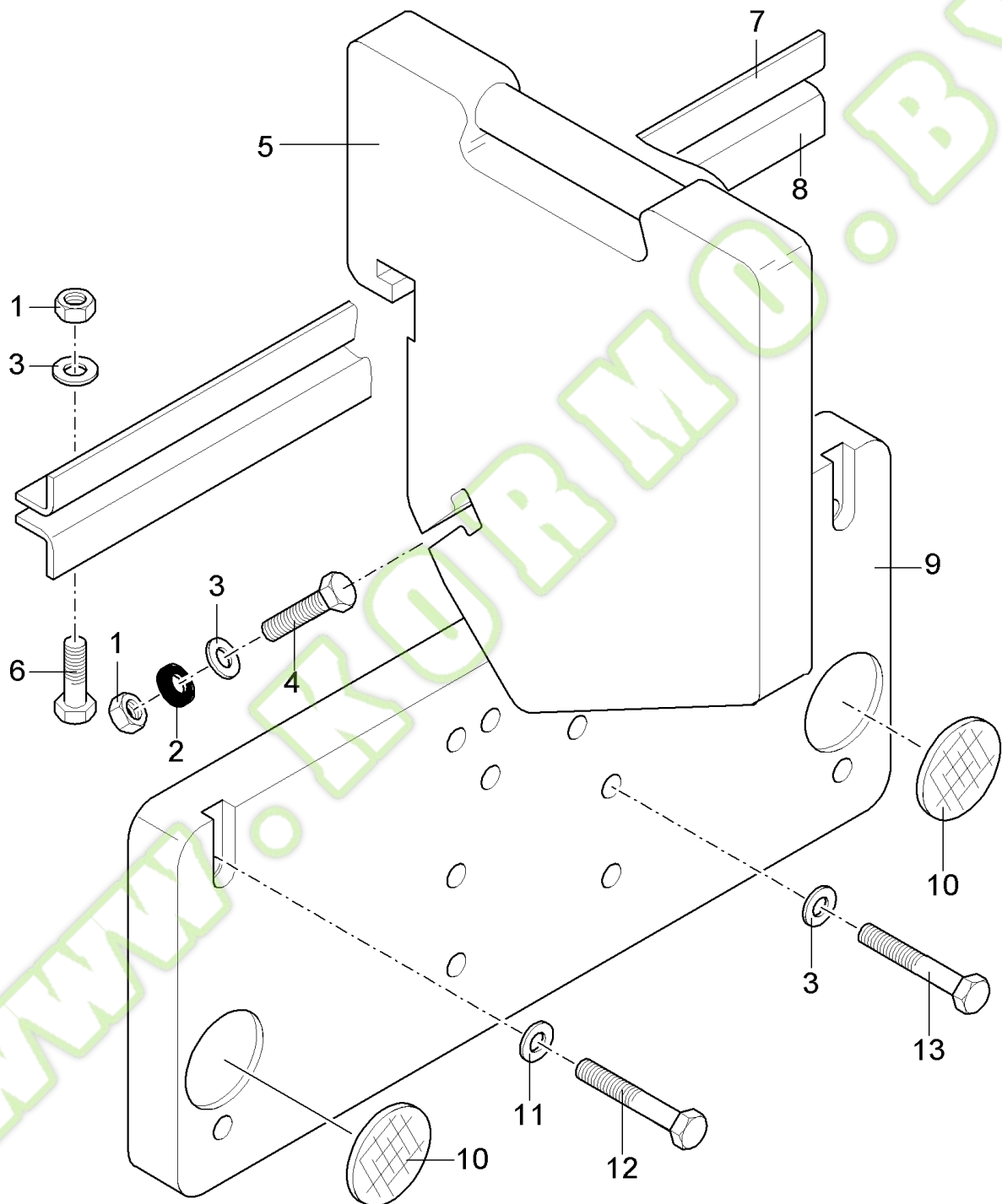
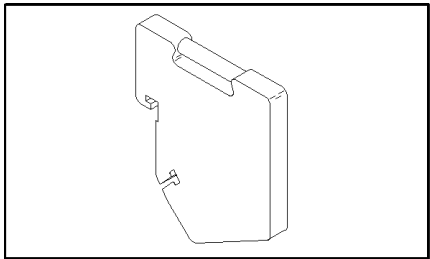
## 11.003(01) CHOCK

Ref	Part Number	Qty	Description
1	452769	2	WHEEL CHOCK, {PP:80452769}
2	452770	2	CLAMP, {PP:80452770}
3	84019403	2	SUPPORT,
4	100016	26	NUT, {PP:80100016} M10, CI 8, M10
5	140045	26	WASHER, LOCK, {PP:80140045} Belleville, M10, 10MM
6	84019483	4	ROD,
7	120041	2	BOLT, {PP:80120041} Short NK, M10 x 20, CI8.8, Full Thd, M10x20
8	84018986	4	SUPPORT,
9	120109	4	SCREW, {PP:80120109} Hex, M10 x 20, 8.8, Full Thd, M10x20

WWW.KORMO.BY



11.004(01) COUNTERWEIGHTS

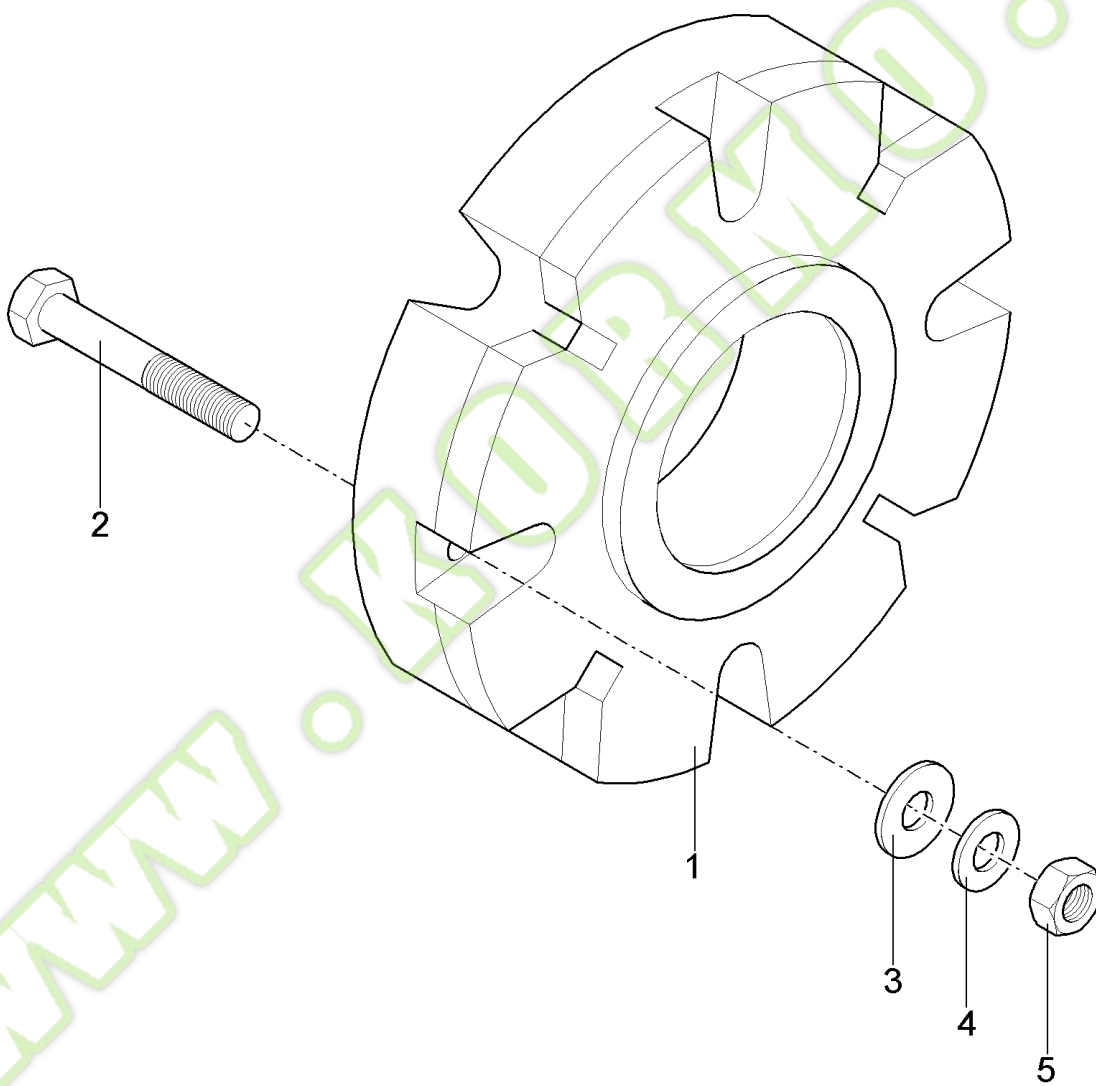
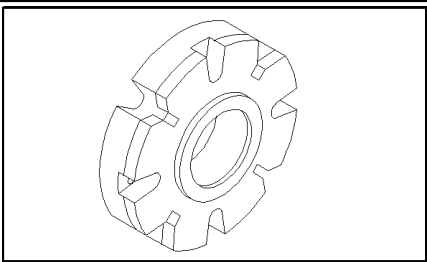


## FX48 SELF-PROPELLED FORAGE HARVESTER (9/98- )

## 11.004(01) COUNTERWEIGHTS

Ref	Part Number	Qty	Description
1	100020	4	NUT, {PP:80100020} M16, CI 8, M16, CI 8
2	84017220	1	WASHER, 16.5MM
3	140048	8	WASHER, LOCK, {PP:80140048} Belleville, M16, 16MM
4	385923	AR	SCREW, {PP:80385923} Hex, M16 x 55, 8.8, Full Thd, Hex, M16 x 55, 8.8, Full Thd
4	120092	AR	SCREW, {PP:80120092} Hex, M16 x 70, 8.8, Hex, M16 x 70, 8.8
5	86516384	AR	WEIGHT,
6	120090	3	SCREW, {PP:80120090} Hex, M16 x 50, 8.8, Hex, M16 x 50, 8.8
7	84042046	1	PROFILE, , NOT FOR NA
8	84042047	1	PROFILE, , NOT FOR NA
9	84002129	AR	WEIGHT, ADVANCE DEVICE,
10	437024	2	REFLECTOR, LAMP, {PP:80437024}
11	322359	4	WASHER, LOCK, {PP:80322359} Belleville, M20, 20MM
12	412427	4	SCREW, {PP:80412427} Hex, M20 x 130, 8.8, M20x130
12	84056367	4	SCREW, Hex, M20 x 280, 8.8, M20x300, FOR FX38-48-58 ONLY
13	80334967	4	SCREW, M16x140
13	84056369	4	SCREW, Hex, M16 x 300, 8.8, M16x320, FOR FX38-48-58 ONLY

11.005(01) COUNTERWEIGHTS

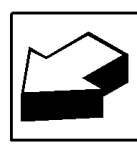
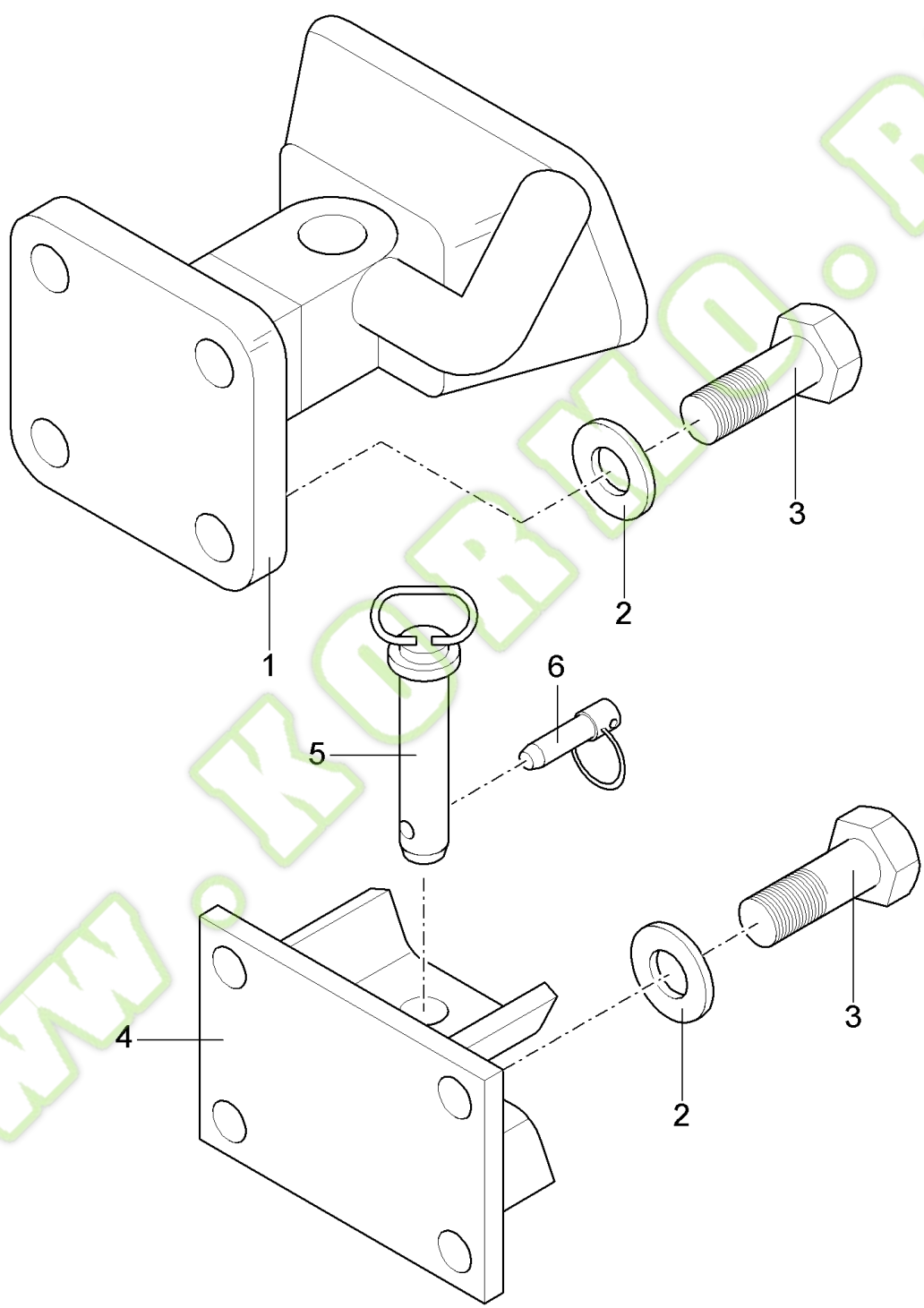
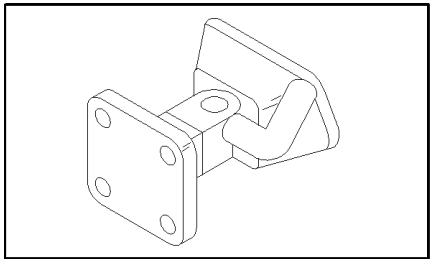


## 11.005(01) COUNTERWEIGHTS

Ref	Part Number	Qty	Description
1	325121	AR	WEIGHT, {PP:80325121} 27.5KG
2	412585	8	SCREW, {PP:80412585} Hex, M12 x 230, 8.8, M12x230
3	140018	8	WASHER, {PP:80140018} M12 x 24 x 2.5, 14MM
4	140046	8	WASHER, LOCK, {PP:80140046} Belleville, M12, 12MM
5	100018	8	NUT, {PP:80100018} M12, CI 8, M12

WWW.KORMO.BY

11.006(01) HITCH

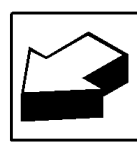
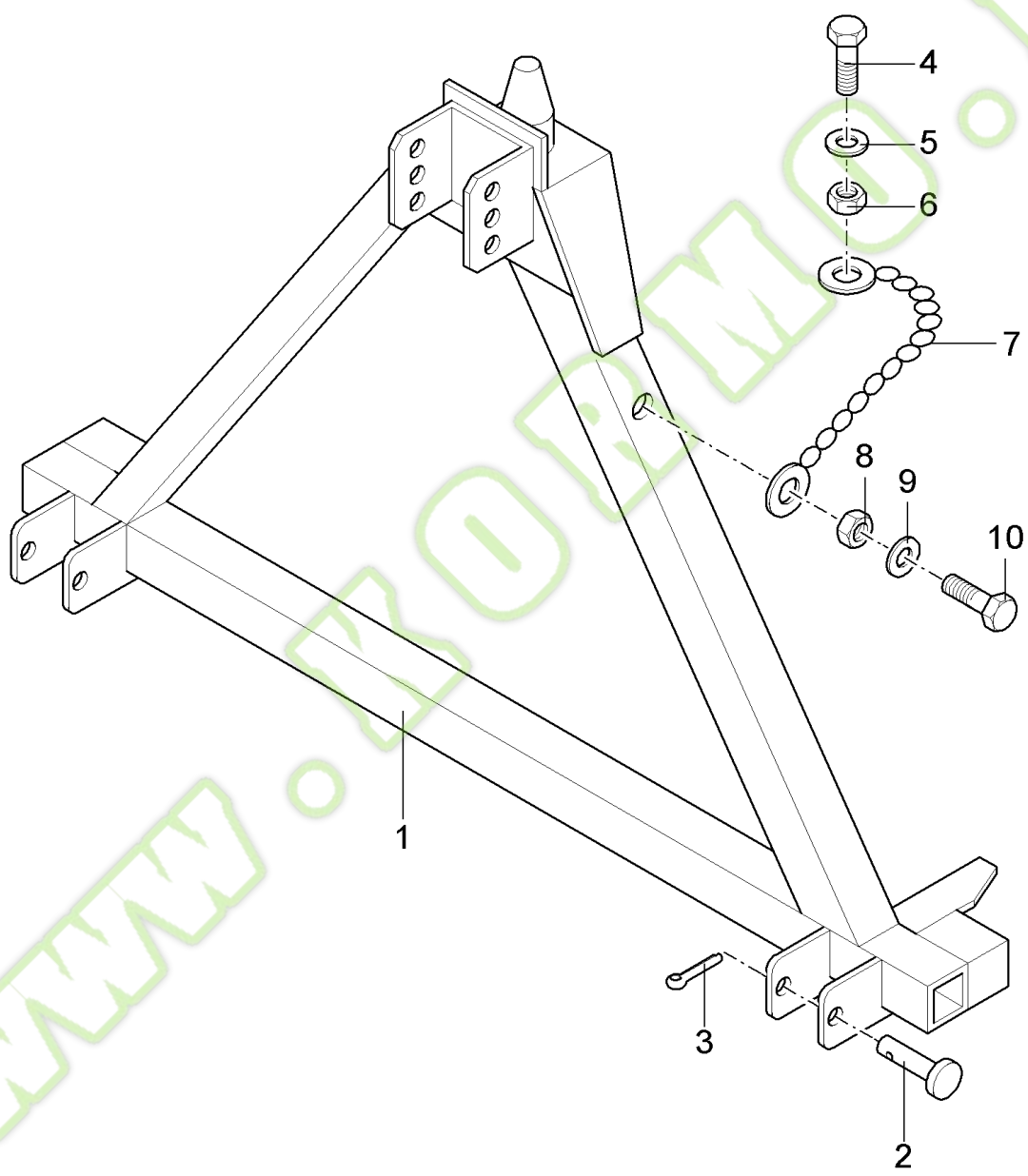
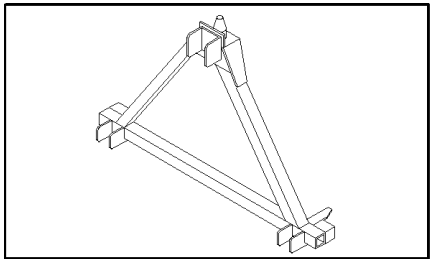


## 11.006(01) HITCH

Ref	Part Number	Qty	Description
1	753439	1	TOW HOOK, {PP:80753439}
2	140048	8	WASHER, LOCK, {PP:80140048} Belleville, M16, 16MM
3	120090	8	SCREW, {PP:80120090} Hex, M16 x 50, 8.8, Hex, M16 x 50, 8.8
4	84042072	1	SUPPORT, , NOT FOR NA AND GERMANY
5	84042171	1	PIN, , NOT FOR NA AND GERMANY
6	84042195	1	PIN, , NOT FOR NA AND GERMANY

WWW.KORMO.BY

11.007(01) 3PT FRAME CHOPPER BODY



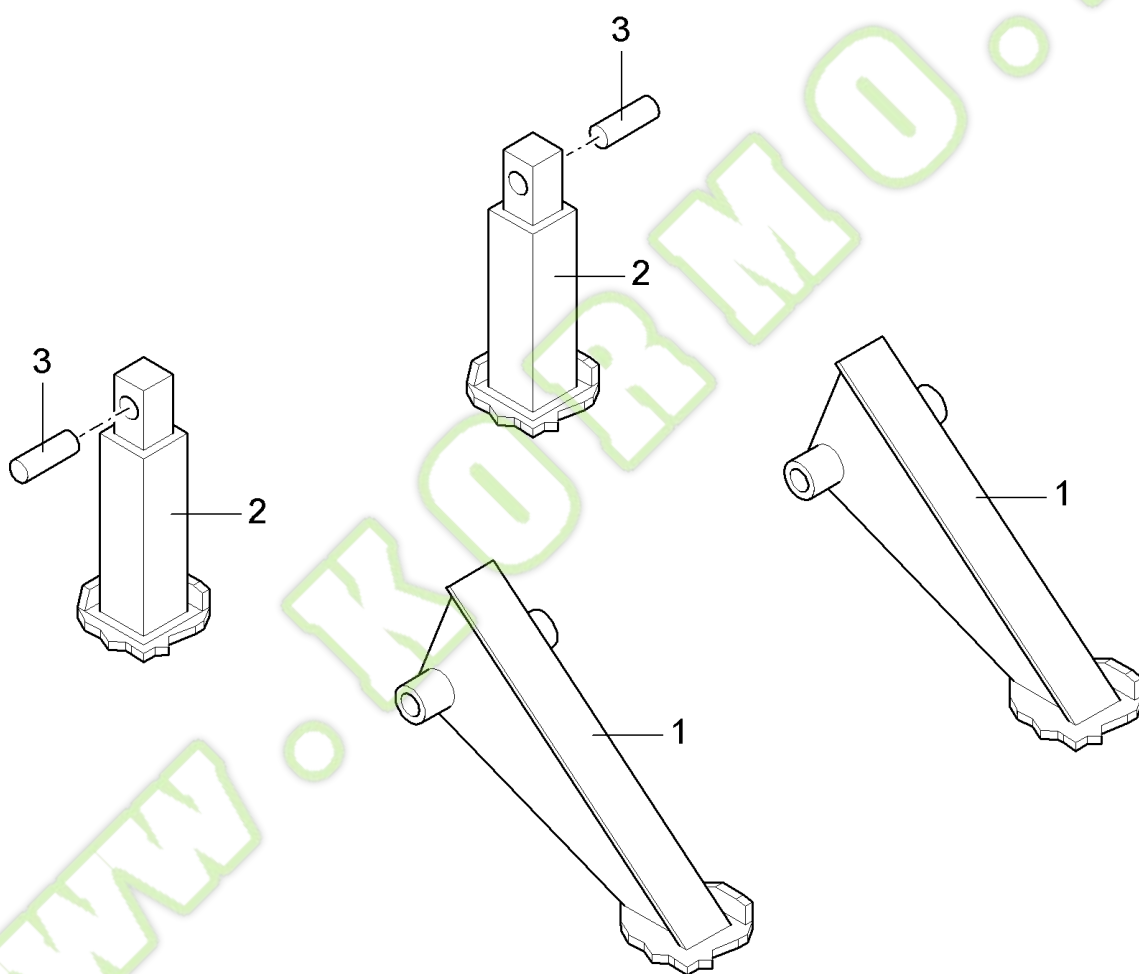
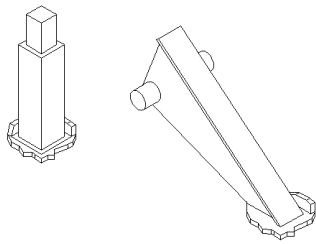
## FX48 SELF-PROPELLED FORAGE HARVESTER (9/98- )

## 11.007(01) 3PT FRAME CHOPPER BODY

Ref	Part Number	Qty	Description
	84020105	1	DIA KIT, HARVESTER, (1 to 3)
1	84019859	1	SUPPORT,
2	84019872	3	ROD,
3	412389	3	PIN, SPLIT (COTTER), {PP:80412389}
4	120122	1	SCREW, {PP:80120122} Hex, M12 x 50, 8.8, Full Thd, M12x40
5	140046	1	WASHER, LOCK, {PP:80140046} Belleville, M12, 12MM
6	337475	1	NUT, {PP:80337475} M12, CI 10, M12
7	84023457	1	CHAIN,
8	100016	1	NUT, {PP:80100016} M10, CI 8, M10
9	140045	1	WASHER, LOCK, {PP:80140045} Belleville, M10, 10MM
10	120109	1	SCREW, {PP:80120109} Hex, M10 x 20, 8.8, Full Thd, M10x20

WWW.KORMO.BY

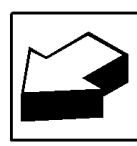
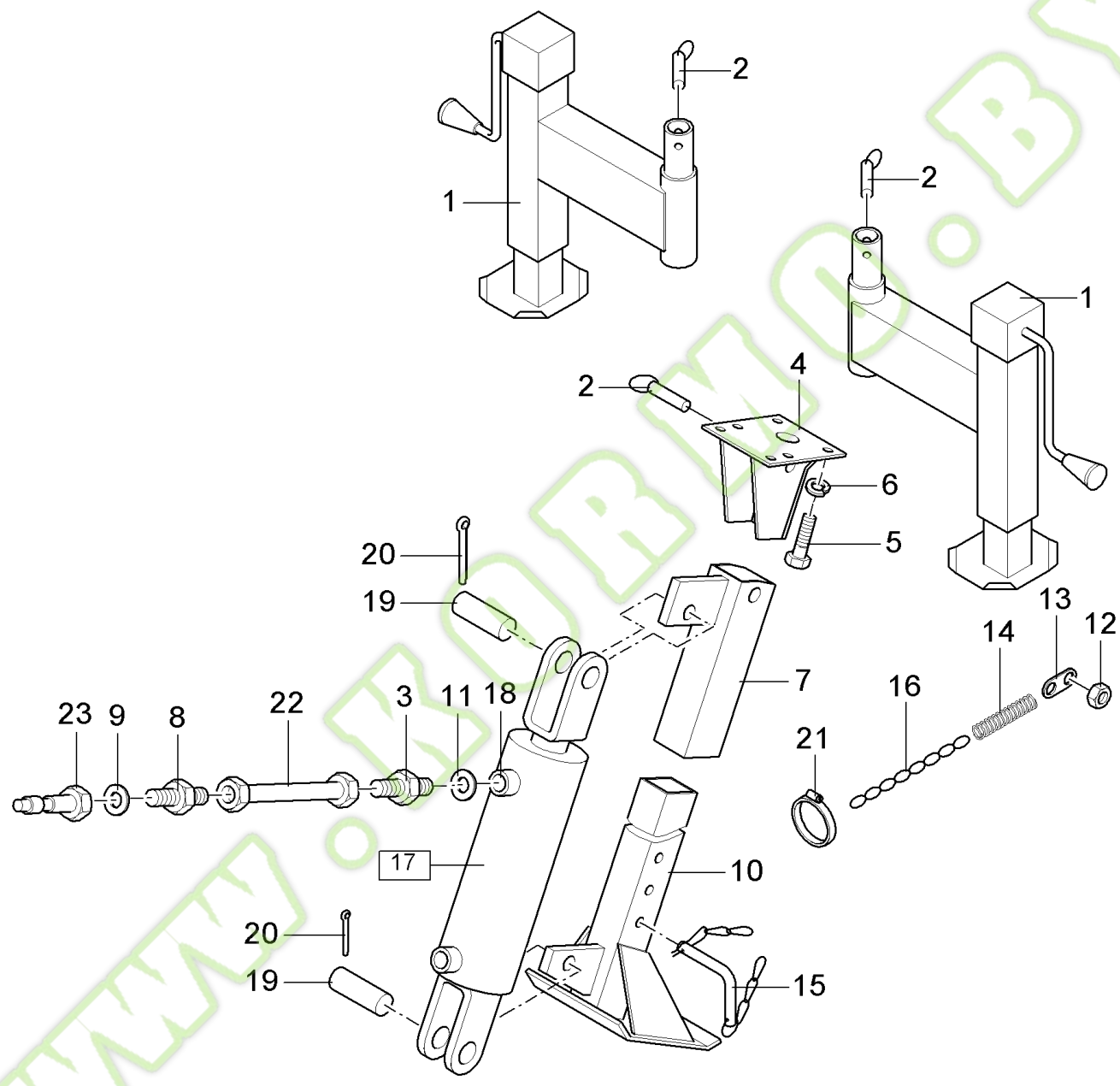
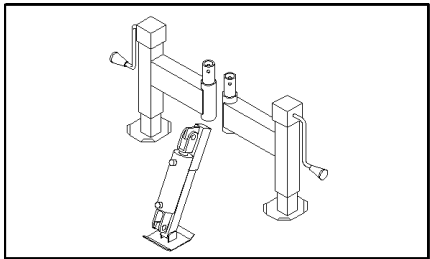




Ref	Part Number	Qty	Description
	84016836	1	DIA KIT, HARVESTER, (1 to 3)
1	84005172	2	SUPPORT,
2	89837162	2	SUPPORT,
3	84014750	2	PIN,

WWW.KORMO.BY

11.009(01) HYDRAULIC JACK ASSEMBLY

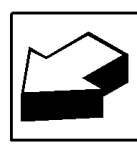
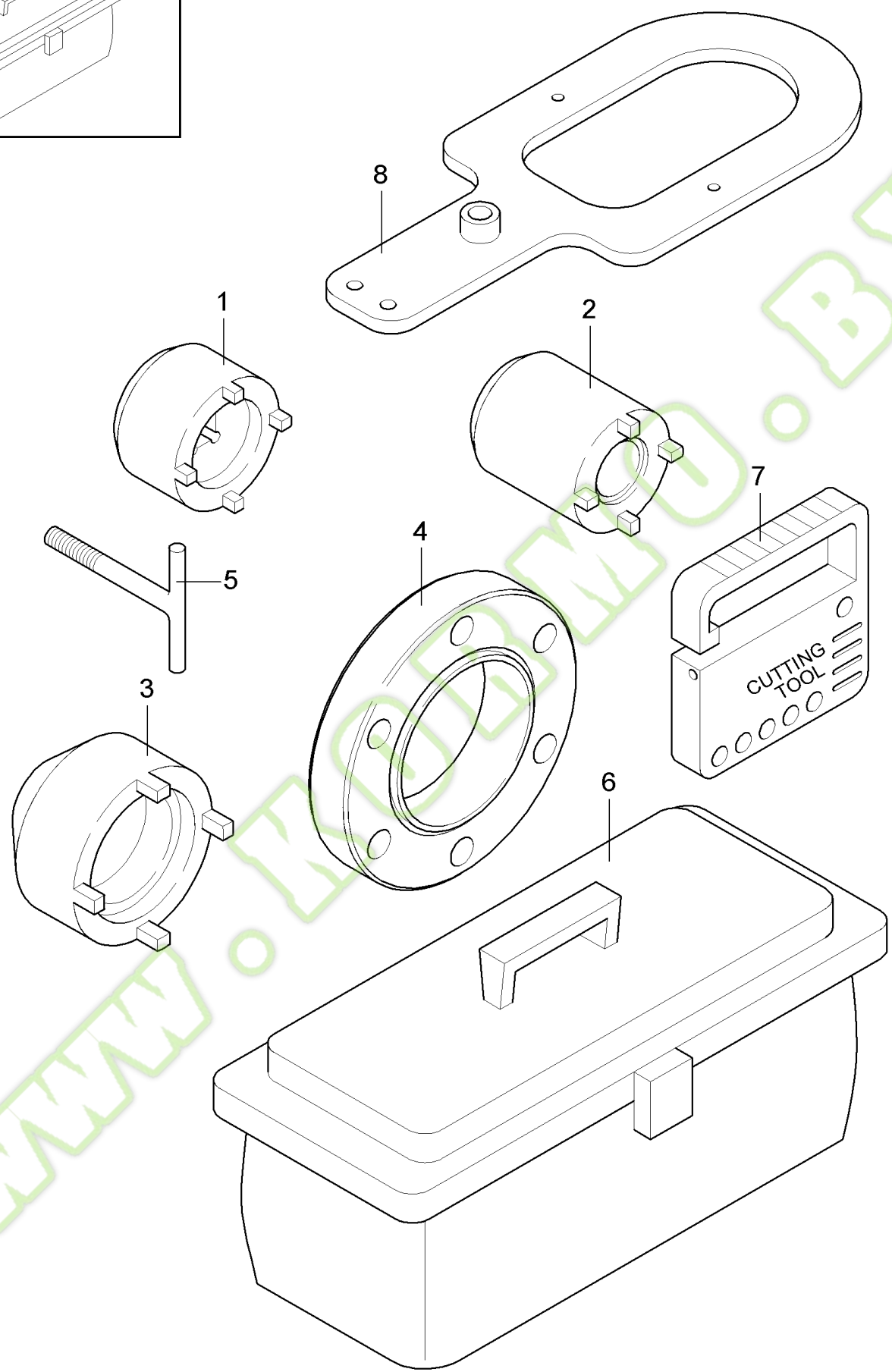
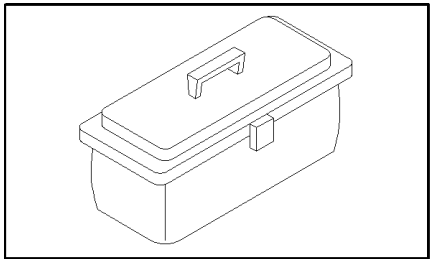


## FX48 SELF-PROPELLED FORAGE HARVESTER (9/98- )

## 11.009(01) HYDRAULIC JACK ASSEMBLY

Ref	Part Number	Qty	Description
1	84053716	1	JACK,
1	84053715	1	JACK,
2	84014750	3	PIN,
3	397977	2	CONNECTOR, HYD., {PP:80397977}
4	84058838	1	SUPPORT,
5	43167	6	BOLT, {PP:80043167} Hex, M16 x 30, 8.8, Full Thd, Hex, M16 x 30, 8.8, Full Thd
6	140048	6	WASHER, LOCK, {PP:80140048} Belleville, M16, 16MM
7	84058388	1	SUPPORT,
8	84057735	2	CONNECTOR, HYD.,
9	128825	2	O-RING, {PP:80128825} 8-1, 90 Duro, .644" ID x .087" Thk, 8-1, 90 Duro, .644" ID x .087" Thk
10	84058389	1	SUPPORT,
11	80358377	2	VALVE, RESTRICTOR,
12	89706690	2	NUT, CL 8, M8 x 1.25 x 13.0
13	336886	2	LEVER, {PP:80336886}
14	180067	2	SPRING, {PP:80180067}
15	84056982	1	PIN,
16	89839041	2	CHAIN,
17	84056984	1	HYDRAULIC CYLINDER, (18)
18	84038110	1	KIT, SEALS,
19	514112	2	PIN, {PP:80514112}
20	130011	2	PIN, SPLIT (COTTER), {PP:80130011} M5 x 40,
21	381145	2	CLAMP, {PP:80381145}
22	84036530	2	HOSE, FLEXIBLE,
23	772730	2	COUPLING, QUICK, MALE, {PP:80772730} , BSN C177
23	86544945	2	COUPLING, QUICK, MALE, , ASN D178

11.010(01) SPECIAL TOOLS

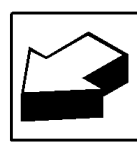
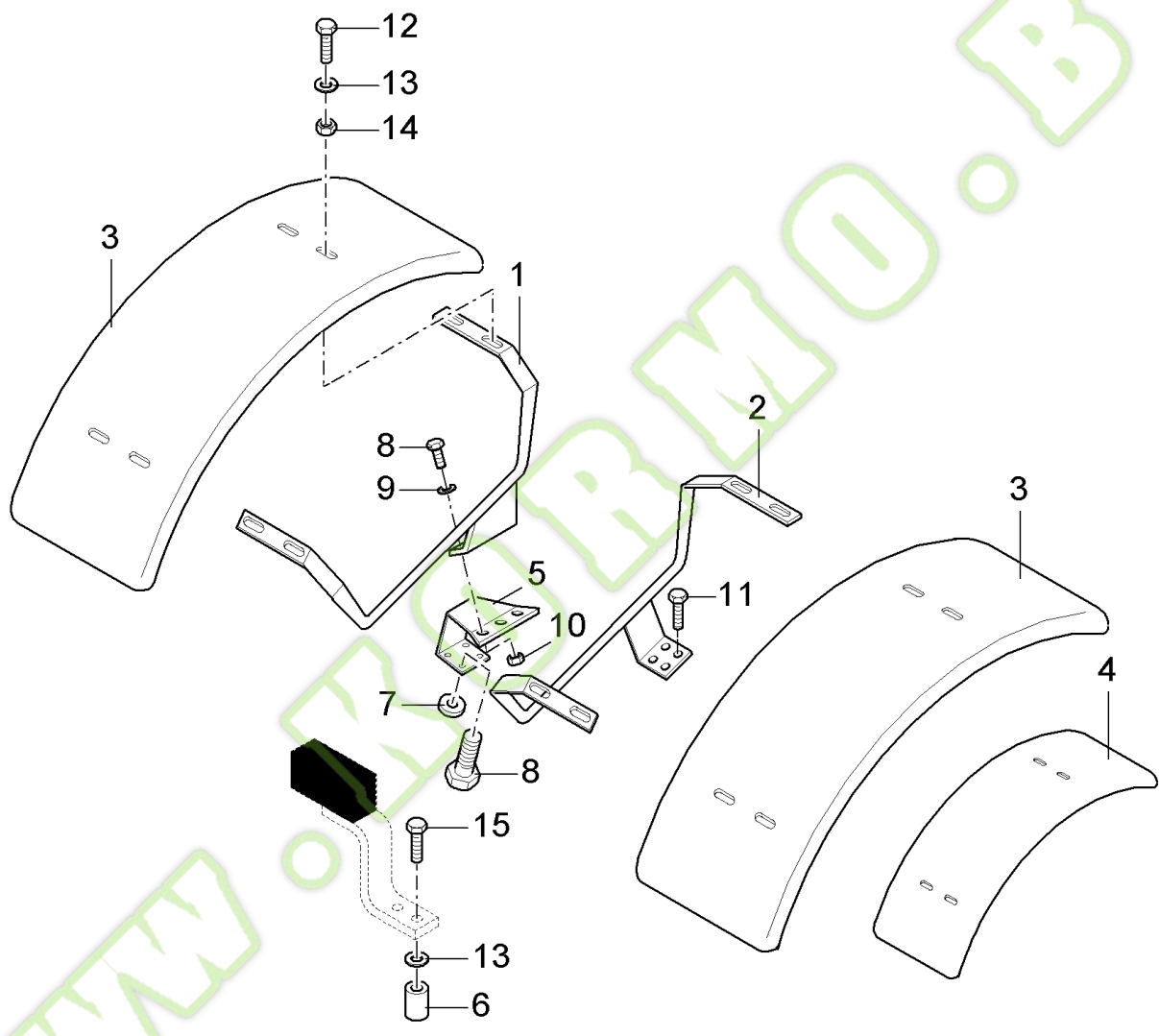
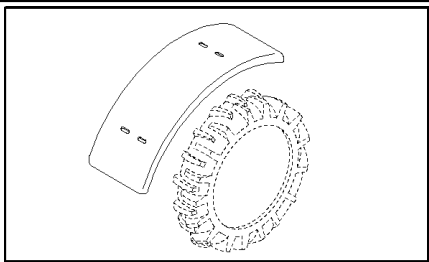


## 11.010(01) SPECIAL TOOLS

Ref	Part Number	Qty	Description
1	84038243	1	TOOL, SPECIAL,
2	84038244	1	TOOL, SPECIAL,
3	84038245	1	TOOL, SPECIAL,
4	84038246	1	TOOL, SPECIAL,
5	84038066	1	ROD, Knife sharpener
6	84042537	1	BOX, TOOL,
7	84043810	1	TOOL, SPECIAL, Optic cable knife
8	84074673	1	TOOL, SPECIAL,

WWW.KORMO.BY

11.011(01) MUDGUARDS



## FX48 SELF-PROPELLED FORAGE HARVESTER (9/98- )

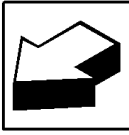
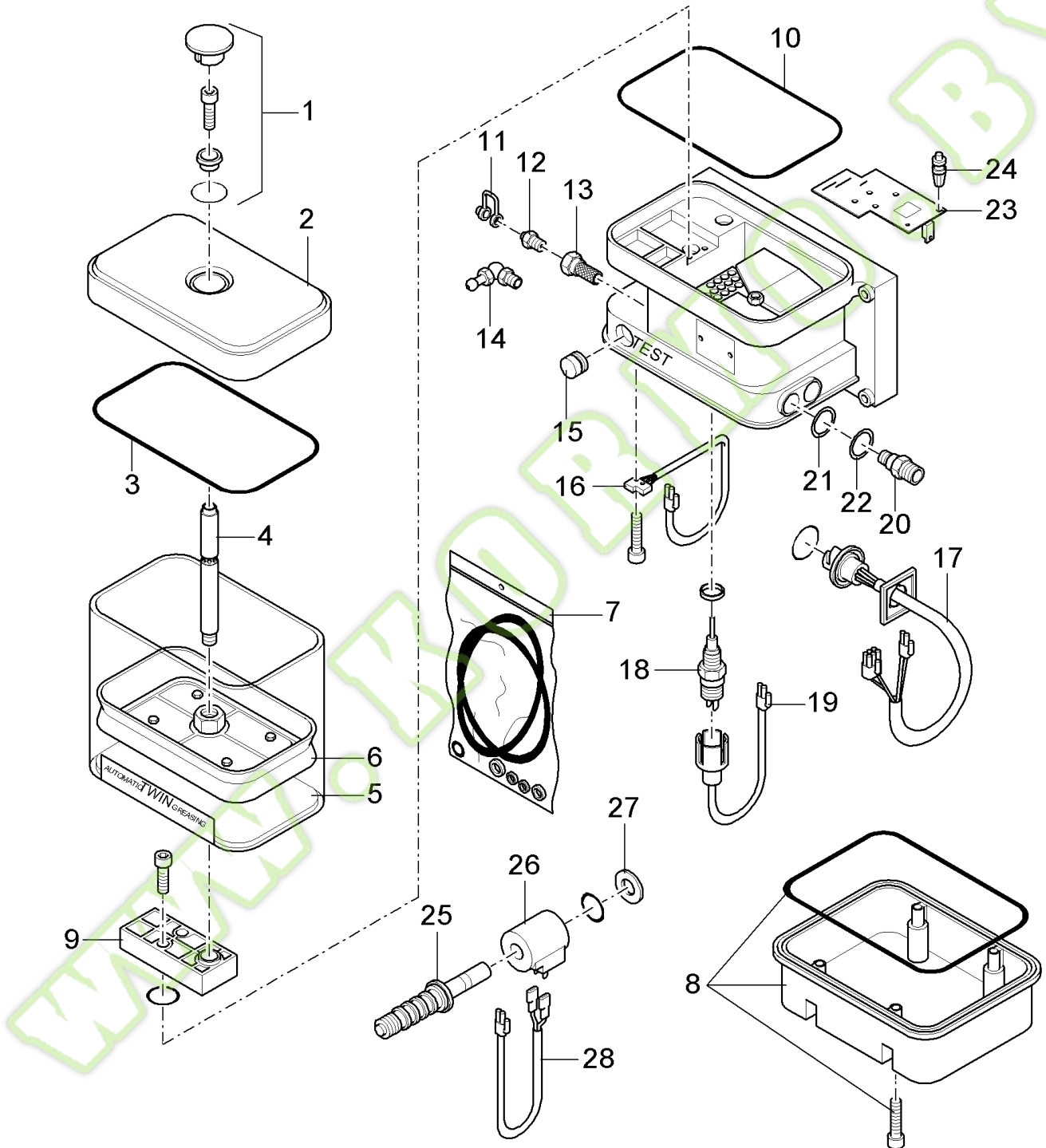
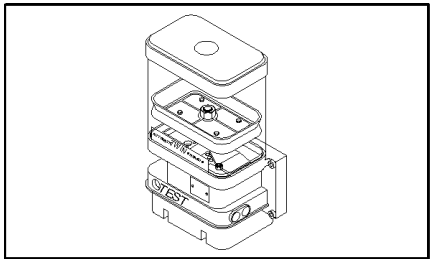
## 11.011(01) MUDGUARDS

Ref	Part Number	Qty	Description
1	84038991	1	FENDER, REAR, LH,4WD
1	84038999	1	FENDER, REAR, LH,2WD
2	84038992	1	FENDER, REAR, RH,4WD
2	84039000	1	FENDER, REAR, RH,2WD
3	9848831	2	FENDER, FRONT, {PP:89848831}
4	9844736	2	SUPPORT, {PP:89844736}
5	84038989	1	SUPPORT, 4WD
6	326136	2	SPACER, {PP:80326136} 4WD
7	144607	2	SPACER, {PP:80144607} 4WD
8	120122	3	SCREW, {PP:80120122} Hex, M12 x 50, 8.8, Full Thd, M12x50,4WD, BSN C173
8	9706702	3	SCREW, {PP:89706702} Hex, M12 x 50, 8.8, M12x50,4WD, ASN D174
9	140046	3	WASHER, LOCK, {PP:80140046} Belleville, M12, 12MM,4WD
10	89706685	3	NUT, M12,4WD
11	410532	6	BOLT, {PP:80410532} Hex, M12 x 55, 12.9, M12x55,4WD
12	308761	8	SCREW, {PP:80308761} Short NK, M8 x 25, Cl8.8, Full Thd, M8x25
13	322358	16	WASHER, LOCK, {PP:80322358} Belleville, M8, 8MM
14	89706690	8	NUT, CL 8, M8 x 1.25 x 13.0
15	43129	2	SCREW, {PP:80043129} Hex, M8 x 40, 8.8, Hex, M8 x 40, 8.8

FOR 30 km/h KIT





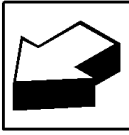
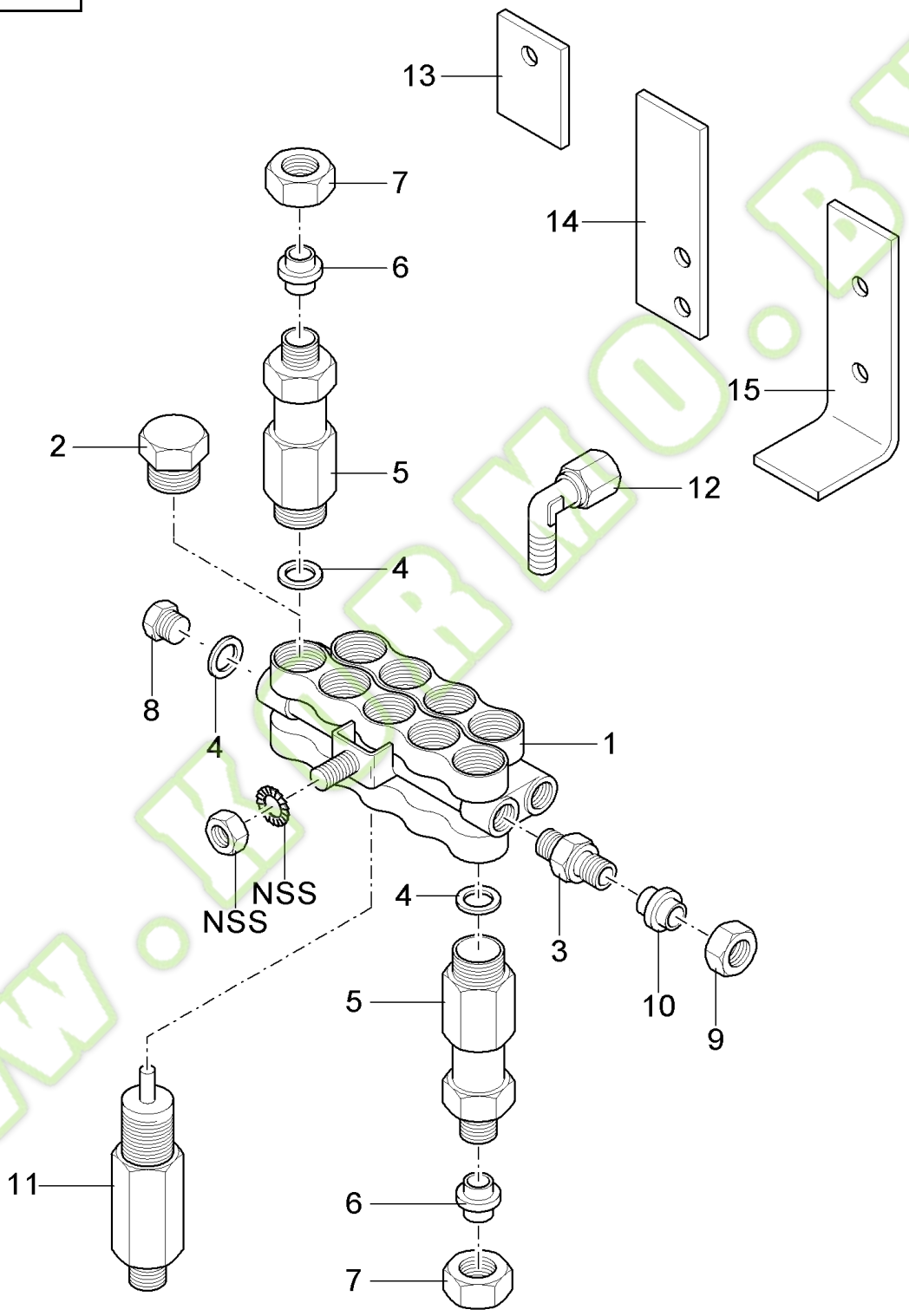
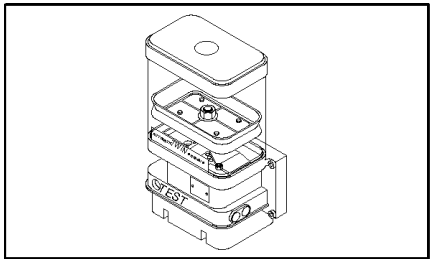


## FX48 SELF-PROPELLED FORAGE HARVESTER (9/98- )

## 11.101(01) AUTOMATIC LUBRICATION, TWIN-PUMP

Ref	Part Number	Qty	Description
	84062354	1	PUMP, ENGINE OIL, (1 to 28), 4L TWIN-PUMP
1	84039107	1	TAB, LOCKING,
2	84039108	1	COVER,
3	84039109	1	O-RING,
4	84053106	1	PIN, , 4L TWIN-PUMP
5	84053107	1	RESERVOIR, HYDRAULIC OIL, , 4L TWIN-PUMP
6	84053108	1	PISTON, , 4L TWIN-PUMP
7	84039113	1	KIT, SEALS,
8	84039114	1	PROTECTING COVER,
9	84039115	1	BLOCK, CONNECTING,
10	84039116	1	O-RING,
11	84039121	1	DUST CAP,
12	84039122	1	CONNECTOR, HYD.,
13	84039123	1	FILTER,
14	84039124	1	NIPPLE, LUBE, 45°
14	84039125	1	NIPPLE, LUBE, 90°
15	84039126	1	PUSH BUTTON,
16	84039127	1	SWITCH, ASSY,
17	84039128	1	HARNESS, WIRE,
18	84039129	1	LEVEL GAUGE CONTROL,
19	84039130	1	HARNESS, WIRE,
20	84039131	2	CONNECTOR, HYD.,
21	84039134	2	O-RING,
22	84039135	2	O-RING,
23	84062355	1	PRINTED CIRCUIT BOARD, 12V
24	84039137	4	CLAMP,
25	84039138	1	VALVE, HYDRAULIC,
26	84039143	1	ELECTROMAGNET,
27	84039144	1	RING,
28	84039145	1	HARNESS, WIRE,

11.102(01) AUTOMATIC LUBRICATION, MANIFOLDS AND REDUCERS



FOR CUTTERHEAD SEE FIGURE 11.108

## FX48 SELF-PROPELLED FORAGE HARVESTER (9/98- )

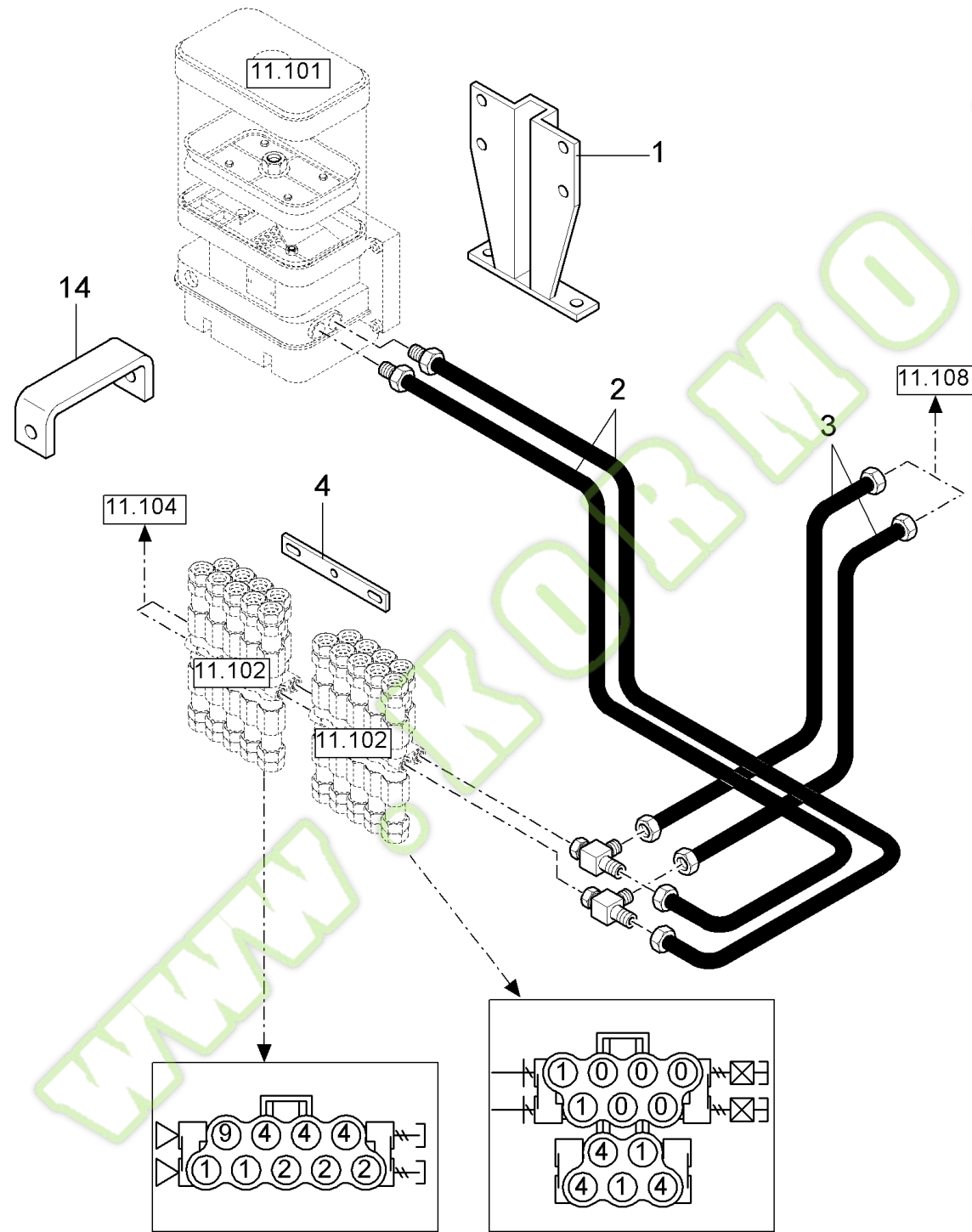
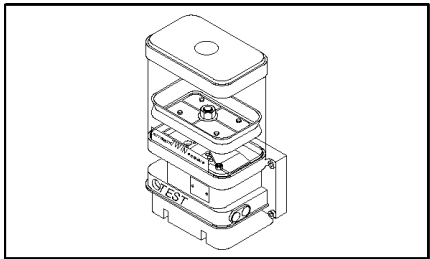
## 11.102(01) AUTOMATIC LUBRICATION, MANIFOLDS AND REDUCERS

Ref	Part Number	Qty	Description
1	84056853	AR	MANIFOLD, 4 Port block, FOR 2WD ONLY
1	84056854	AR	MANIFOLD, 7 Port block, ON 340W AND 350W, BSN C143
1	84056856	AR	MANIFOLD, 9 Port block
1	84320323	AR	MANIFOLD, , WITHOUT THREATED ROD
1	84056855	AR	MANIFOLD, 12 Port block
1	84320328	AR	MANIFOLD, 21 Port block
1	84807415	AR	MANIFOLD, 22 Port block, ASN D218
2	84039103	AR	PLUG,
3	84037365	AR	CONNECTOR, HYD., 10 1/4 NPT
3	84037397	AR	CONNECTOR, HYD., 8 1/4 NPT
4	84039238	AR	RING,
4	84037357	AR	WASHER, SEALING,
5	84039095	AR	REDUCER, Number 0
5	84039096	AR	REDUCER, Number 1
5	84039099	AR	REDUCER, Number 2
5	84062349	AR	REDUCER, Number 3
5	84039097	AR	REDUCER, Number 4
5	84039101	AR	REDUCER, Number 8
5	84074951	AR	REDUCER, Number 8,5
5	84039100	AR	REDUCER, Number 9
5	84078356	AR	REDUCER, Number 10
6	84039133	AR	FERRULE, D=6MM
7	84039132	AR	NUT, D=6MM
8	84037358	AR	PLUG,
9	84039171	AR	NUT, D=8MM
9	84039172	AR	NUT, D=10MM
10	84039173	AR	FERRULE, D=8MM
10	84039174	AR	FERRULE, D=10MM
11	84039104	AR	SWITCH, PRESSURE, 100 Bar
12	84037398	AR	CONNECTOR, HYD.,
13	84038919	AR	PLATE,
14	84320317	AR	SUPPORT, , ASN D128
15	84320318	AR	SUPPORT, , ASN D128

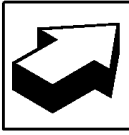
FOR CUTTERHEAD SEE FIGURE 11.108



11.103(01) AUTOMATIC LUBRICATION, BASIC



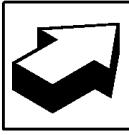
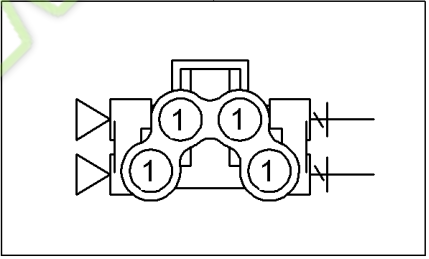
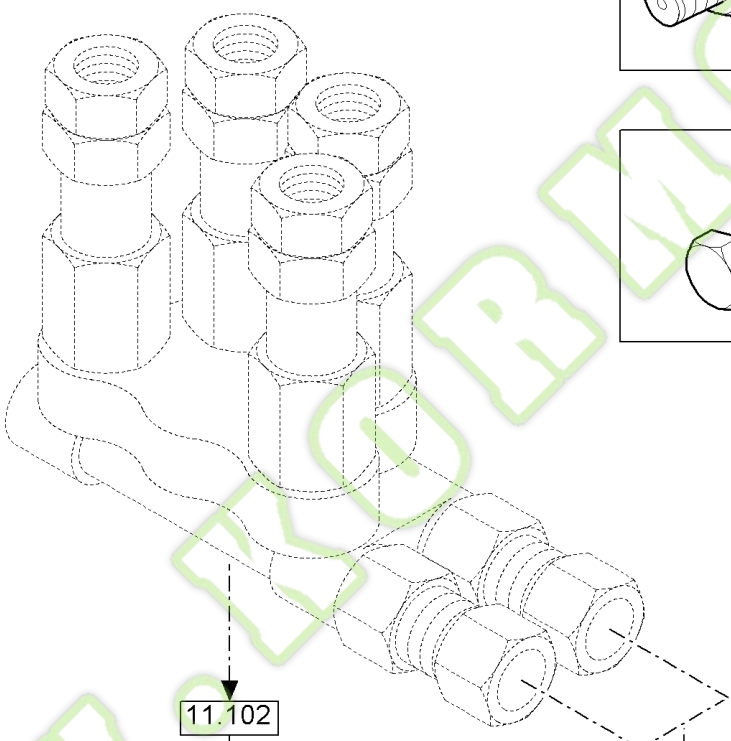
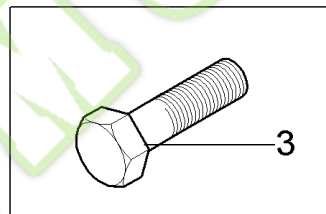
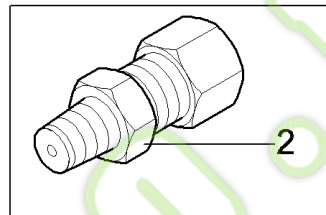
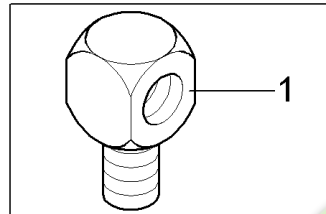
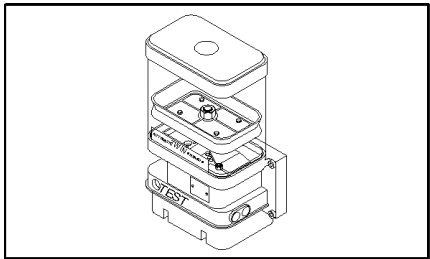
- 5
- 6
- 7
- 8
- 9
- 10
- 11
- 12
- 13



## FX48 SELF-PROPELLED FORAGE HARVESTER (9/98- )

## 11.103(01) AUTOMATIC LUBRICATION, BASIC

Ref	Part Number	Qty	Description
1	84037348	1	BRACKET,
2	84062302	1	HOSE, FLEXIBLE, , BSN C143
2	84320709	1	HOSE, FLEXIBLE, , ASN D144
3	84062303	1	HOSE, FLEXIBLE, , BSN C143
3	84320710	1	HOSE, FLEXIBLE, , ASN D144
4	84037350	1	BRACKET, , BSN C217
5	84037349	AR	CONNECTOR, HYD., 1/8"-6MM
5	84037361	AR	CONNECTOR, HYD., D=6MM-M6x1
5	84037362	6	CONNECTOR, HYD., D=6MM-M8x1
5	84037365	2	CONNECTOR, HYD., D=10MM-1/4"
5	84037366	2	CONNECTOR, HYD., 1/4"
5	84042355	2	CONNECTOR, HYD., 1/8"
6	84037355	6	ELBOW, M6x1-M8x1
7	84037363	2	ELBOW, D=6MM-M6x1
8	84037373	2	COUPLING, QUICK, MALE, Female
9	9824326	AR	WASHER, {PP:89824326} M5, 5MM
9	378243	8	WASHER, {PP:80378243} 8MM
9	140078	2	WASHER, {PP:80140078} 10MM
9	86511324	4	WASHER, M12 x 24 x 2.5, 14MM
9	322356	2	WASHER, LOCK, {PP:80322356} 5MM
9	140045	2	WASHER, LOCK, {PP:80140045} Belleville, M10, 10MM
10	43139	2	SCREW, {PP:80043139} Hex, M10 x 25, 8.8, Full Thd, M10x25
10	120106	4	SCREW, {PP:80120106} Hex, M8 x 40, 8.8, Full Thd, Hex, M8 x 40, 8.8, Full Thd
10	84037379	2	SCREW, M5x40
10	43140	2	BOLT, {PP:80043140} Hex, M10 x 30, 8.8, M10x30
10	331619	AR	SCREW, {PP:80331619} M5x10
10	43138	AR	SCREW, {PP:80043138} Hex, M10 x 20, 8.8, Full Thd, M10x20
11	86629542	4	NUT, M8 x 1.25", CI 8, M8
11	100016	2	NUT, {PP:80100016} M10, CI 8, M10
11	86508813	2	NUT, M4, CI 8, M5
12	84037364	2	CONNECTOR, HYD., D=8MM, 1/4" NPT
12	84062125	2	CONNECTION, 3 WAY, D=8MM, 1/4", ASN D218
13	84320273	1	CONNECTOR, HYD., , ASN D144
14	84807337	1	SUPPORT, , ASN D218



## FX48 SELF-PROPELLED FORAGE HARVESTER (9/98- )

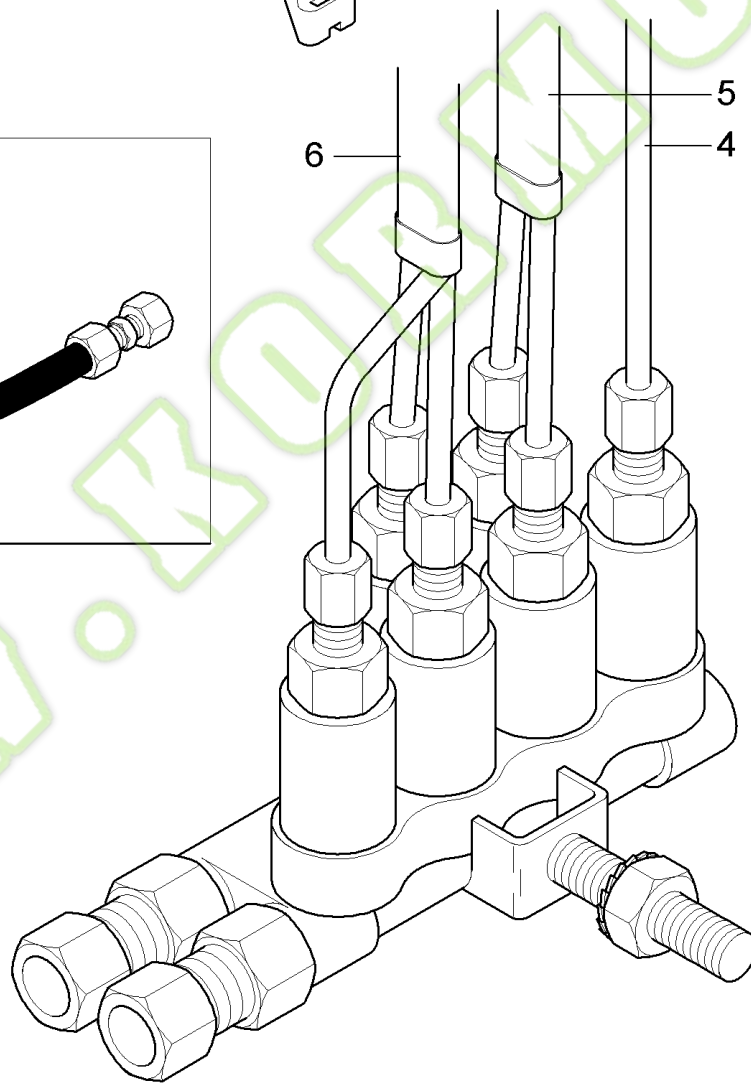
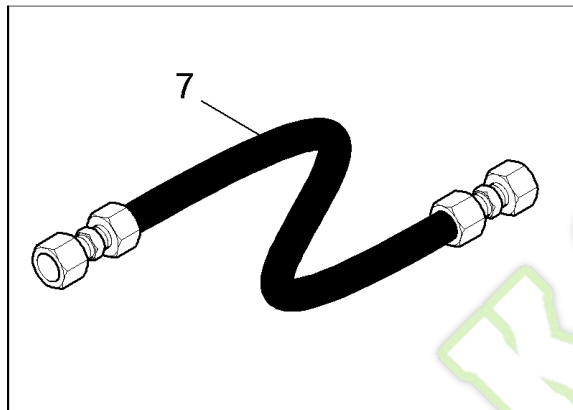
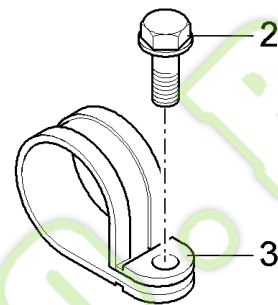
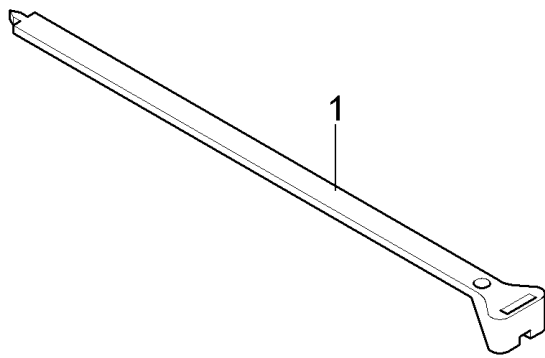
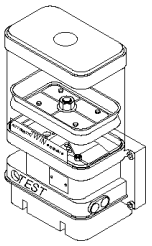
## 11.104(01) AUTOMATIC LUBRICATION, TWO WHEEL DRIVE

Ref	Part Number	Qty	Description
1	84037355	4	ELBOW, M6x1,M8x1
1	84037392	4	ELBOW, M8x1 CON-M8x1
2	84037361	1	CONNECTOR, HYD., 6MM-M6x1"
2	84037362	4	CONNECTOR, HYD., 6MM-M8x1"
2	84037365	2	CONNECTOR, HYD., 10MM-1/4"
2	84037366	2	CONNECTOR, HYD., 1/4"
3	331619	AR	SCREW, {PP:80331619} M5x10

WWW.KORMO.BY

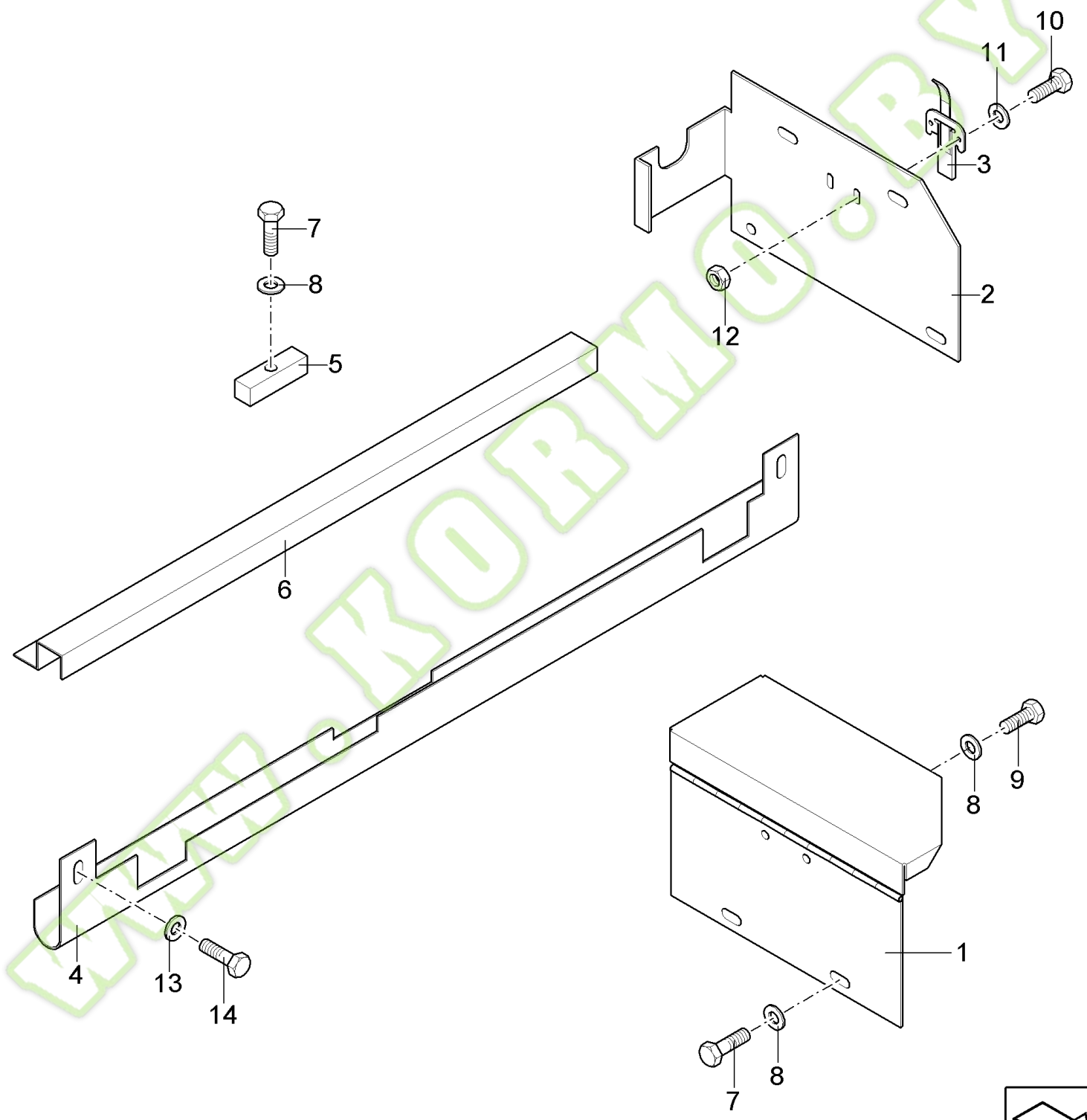
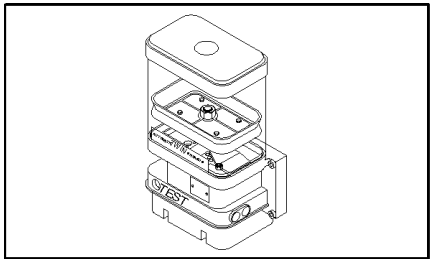


11.105(01) AUTOMATIC LUBRICATION: TUBES

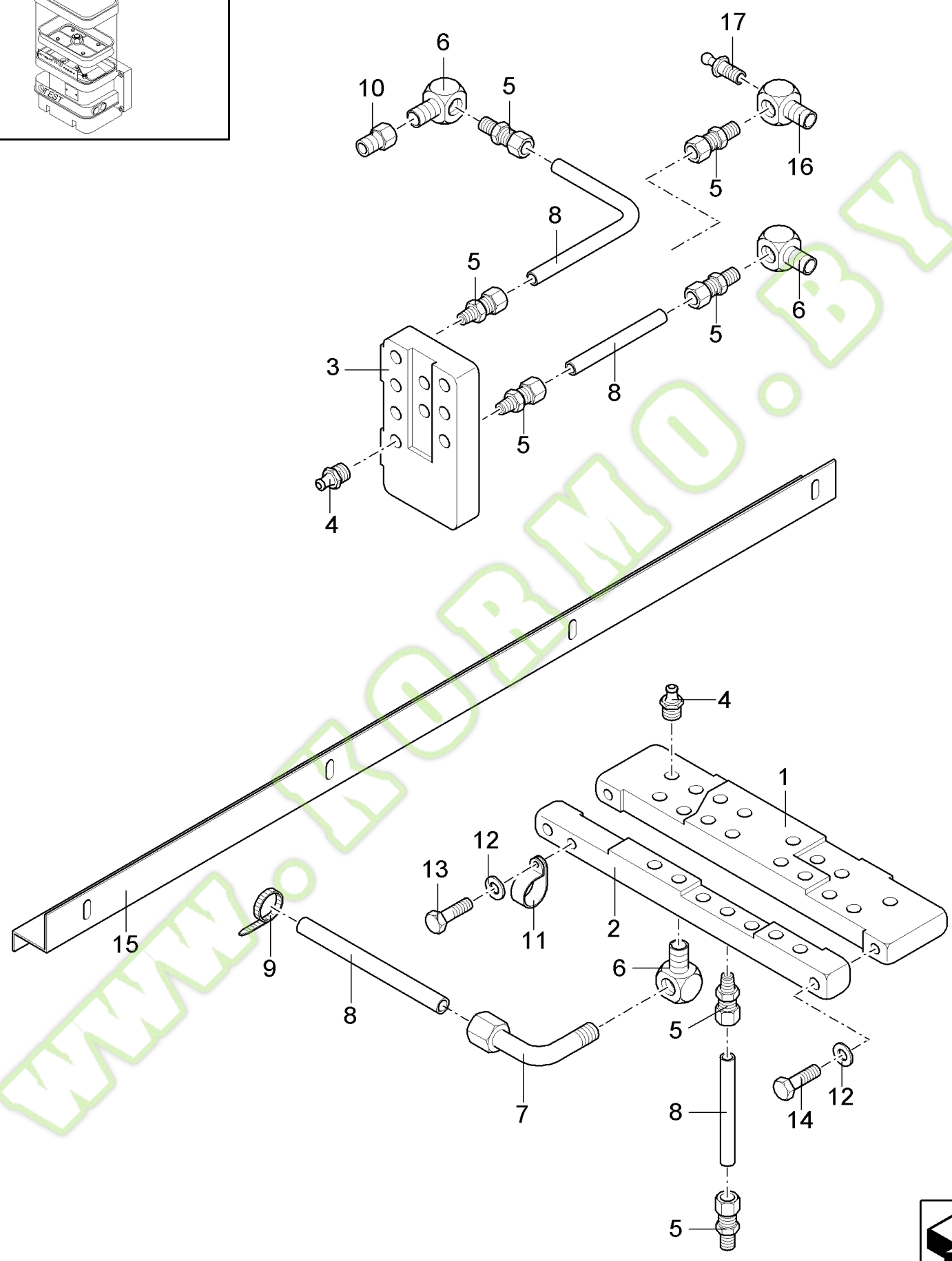
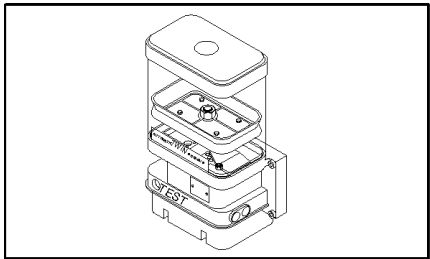


## 11.105(01) AUTOMATIC LUBRICATION: TUBES

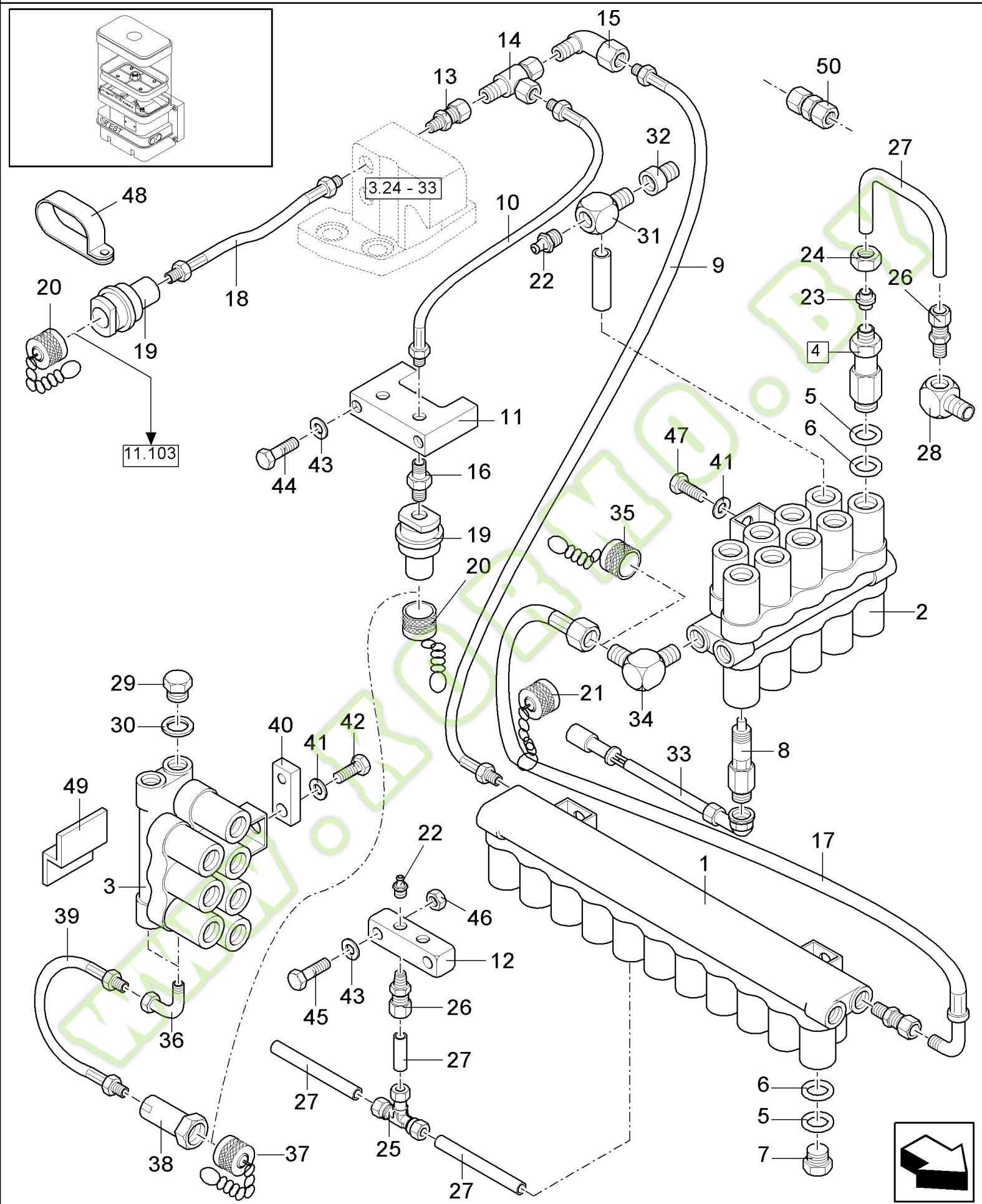
Ref	Part Number	Qty	Description
1	396718	AR	STRAP, {PP:80396718} Black (L=338MM)
1	9818147	AR	CLAMP, {PP:89818147} Black (L=186MM)
2	331619	AR	SCREW, {PP:80331619} M5x10
3	675162	AR	CLAMP, WIRE, {PP:80675162} 6MM
3	84038916	AR	CLAMP, 8MM
3	9507809	AR	CLAMP, {PP:89507809} 10MM
3	431352	AR	CLAMP, {PP:80431352} 12MM
3	84320321	AR	CLAMP, 14MM
3	334697	AR	CLAMP, {PP:80334697} 20MM
3	84038383	AR	CLAMP, 16MM
3	84038384	AR	CLAMP, 18MM
3	356331	AR	CLAMP, {PP:80356331} 18x15MM
4	84039176	AR	TUBE, RIGID, L=3M
5	84039177	AR	TUBE, RIGID, L=3M
6	84039178	AR	TUBE, RIGID, L=3M
7	84807174	AR	KIT, REPAIR, L=500MM, DIA.=6MM



Ref	Part Number	Qty	Description
1	84056700	1	PROTECTING COVER,
2	84056681	1	PLATE,
3	244457	1	CLAMP, {PP:80244457}
4	84056331	1	CHUTE,
5	84056184	1	MANIFOLD, , NOT WITH CORN PROCESSOR
6	84056334	1	CHUTE,
7	120110	5	SCREW, {PP:80120110} Hex, M10 x 25, 8.8, Full Thd, M10x25
8	140045	AR	WASHER, LOCK, {PP:80140045} Belleville, M10, 10MM
9	120109	AR	SCREW, {PP:80120109} Hex, M10 x 20, 8.8, Full Thd, M10x20
10	120010	2	SCREW, {PP:80120010} M5x16
11	322356	2	WASHER, LOCK, {PP:80322356}
12	100013	2	NUT, {PP:80100013} M4, CI 8, M5
13	412650	AR	WASHER, LOCK, {PP:80412650} Belleville, M8, 8MM
14	80120104	AR	SCREW, M8x20



Ref	Part Number	Qty	Description
1	84053753	1	MANIFOLD, Chopperbody
2	84053530	1	MANIFOLD, Crop processor
3	84053764	1	MANIFOLD, Feeder module
4	9838669	AR	NIPPLE, LUBE, {PP:89838669} G1/8
5	84037349	AR	CONNECTOR, HYD., G1/8,6MM
6	84053211	AR	CONNECTOR, HYD., R1/8,G1/8
7	84037391	AR	ELBOW, R1/8,6MM
8	84078092	AR	TUBE, L=5M
9	323597	AR	STRAP, {PP:80323597}
10	84058728	1	ADAPTER, G1/8,R1/8
11	9827902	AR	CLAMP, {PP:89827902}
12	322358	AR	WASHER, LOCK, {PP:80322358} Belleville, M8, 8MM
13	80120104	AR	SCREW, M8x20
14	300381	2	SCREW, {PP:80300381} Hex, M8 x 35, 8.8, M8x35
15	84056332	1	COVER,
16	84062396	AR	CONNECTION, 3 WAY, , ASN D152
17	9838669	AR	NIPPLE, LUBE, {PP:89838669} , ASN D152



## FX48 SELF-PROPELLED FORAGE HARVESTER (9/98- )

## 11.108(01) AUTOMATIC LUBRICATION, CHOPPERBODY

Ref	Part Number	Qty	Description
1	84068112	1	MANIFOLD, 21 Port
2	84068111	1	MANIFOLD, 18 Port
3	84068114	1	MANIFOLD, 7 Port
4	84039096	AR	REDUCER, Number 1 (5,6)
4	84039099	AR	REDUCER, Number 2 (5,6)
4	84039097	AR	REDUCER, Number 4 (5,6)
4	84039101	AR	REDUCER, Number 8 (5,6)
4	84074951	AR	REDUCER, Number 8,5 (5,6)
4	84039100	AR	REDUCER, Number 9 (5,6)
4	84078356	AR	REDUCER, Number 10 (5,6)
5	84062150	AR	O-RING, 18.177x1.78MM
6	84062149	AR	O-RING, 6.75x1.78MM
7	84039103	AR	PLUG, M22
8	84039104	1	SWITCH, PRESSURE, 100 Bar
9	84068110	2	HOSE, FLEXIBLE,
10	84068108	2	HOSE, FLEXIBLE,
11	84058974	1	SUPPORT,
12	84053766	1	MANIFOLD,
13	84062391	AR	CONNECTOR, HYD., D=8, 1/4" NPT
14	84038926	AR	CONNECTION, 3 WAY, P8,D=8
15	84062124	AR	CONNECTOR, HYD., P8,D=8
16	84068118	AR	CONNECTOR, HYD., 1/4", 1/4"
17	84068107	2	HOSE, FLEXIBLE,
18	84068109	2	HOSE, FLEXIBLE,
19	84037399	AR	COUPLING, QUICK, MALE,
20	84037400	AR	PROTECTION CAP,
21	84062117	2	DUST CAP,
22	9838669	3	NIPPLE, LUBE, {PP:89838669}
23	84039133	AR	FERRULE,
24	84039132	AR	NUT,
25	84056782	2	CONNECTION, 3 WAY,
26	84037349	AR	CONNECTOR, HYD., G1/8", G1/8"
27	84078092	AR	TUBE, L=5M, D=6MM
28	84053211	AR	CONNECTOR, HYD., G1/8", G1/8"
29	84037358	AR	PLUG, 1/4"
30	84037357	AR	WASHER, SEALING,
31	84062396	1	CONNECTION, 3 WAY, G1/8,R1/8,G1/8
32	84058728	2	ADAPTER, G1/8,R1/8
33	84062115	1	HARNESS, WIRE,
34	84062390	2	CONNECTOR, HYD., D=10, 1/4 NPT
35	84062116	2	DUST CAP,
36	84068113	2	CONNECTOR, HYD., 1/4", D=8MM
37	84037374	2	DUST CAP,
38	84037373	2	COUPLING, QUICK, MALE,
39	84037420	2	HOSE,

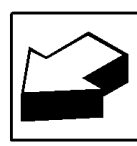
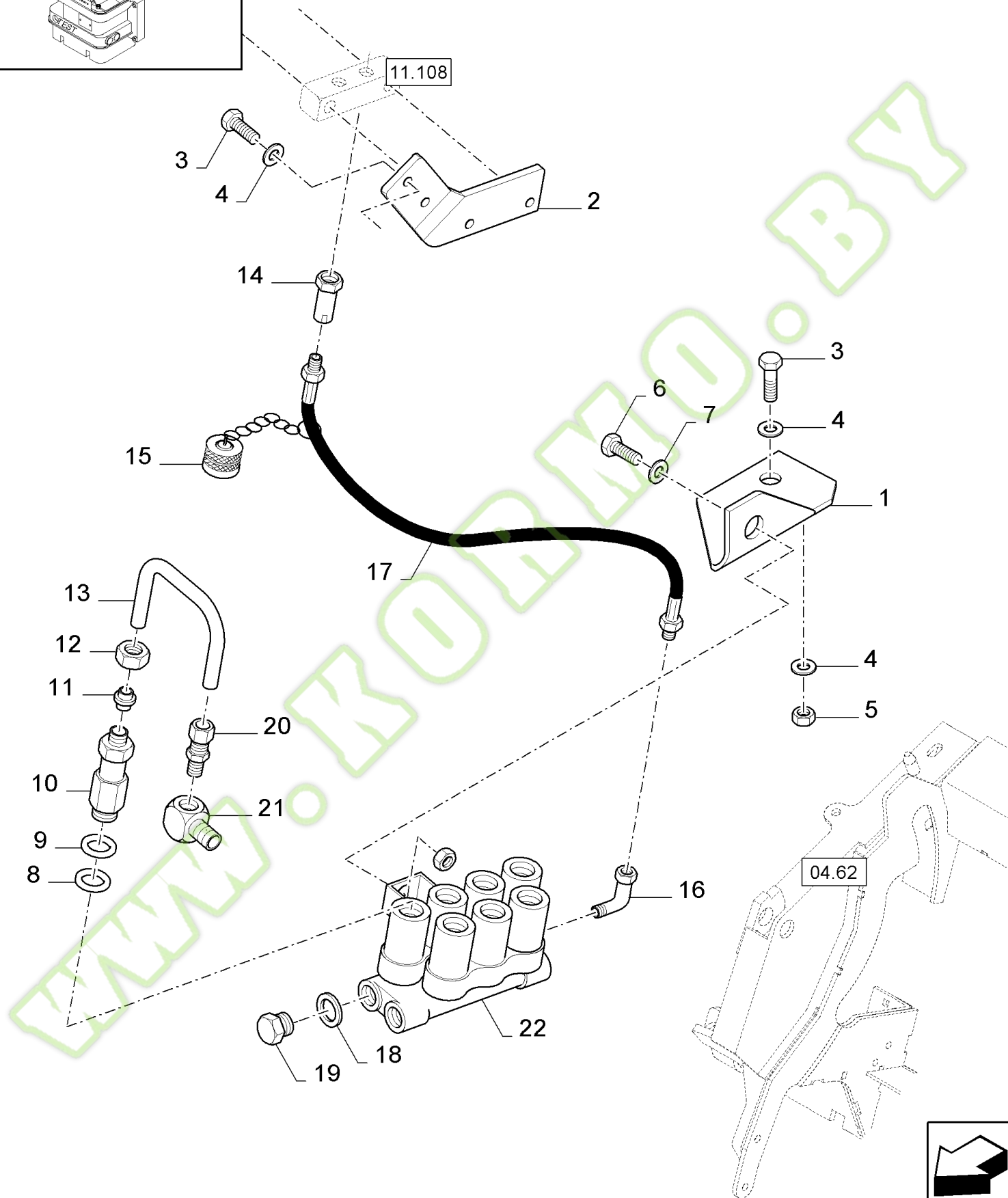
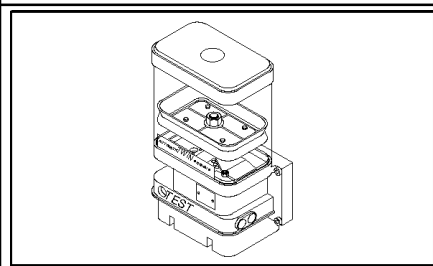


## FX48 SELF-PROPELLED FORAGE HARVESTER (9/98- )

## 11.108(01) AUTOMATIC LUBRICATION, CHOPPERBODY

Ref	Part Number	Qty	Description
40	84037414	1	BRACKET,
41	140045	AR	WASHER, LOCK, {PP:80140045} Belleville, M10, 10MM
42	120110	AR	SCREW, {PP:80120110} Hex, M10 x 25, 8.8, Full Thd, M10x25
43	412650	AR	WASHER, LOCK, {PP:80412650} Belleville, M8, 8MM
44	120063	AR	SCREW, {PP:80120063} Hex, M8 x 80, 8.8, M8x80
45	300381	2	SCREW, {PP:80300381} Hex, M8 x 35, 8.8, M8x35
46	100015	2	NUT, {PP:80100015} M8, CI 8, M8
47	120109	AR	SCREW, {PP:80120109} Hex, M10 x 20, 8.8, Full Thd, M10x20
48	84058975	1	CLAMP,
49	84056332	1	COVER, , ONLY WITH CORN PROCESSOR
50	84053877	AR	CONNECTOR, HYD.,

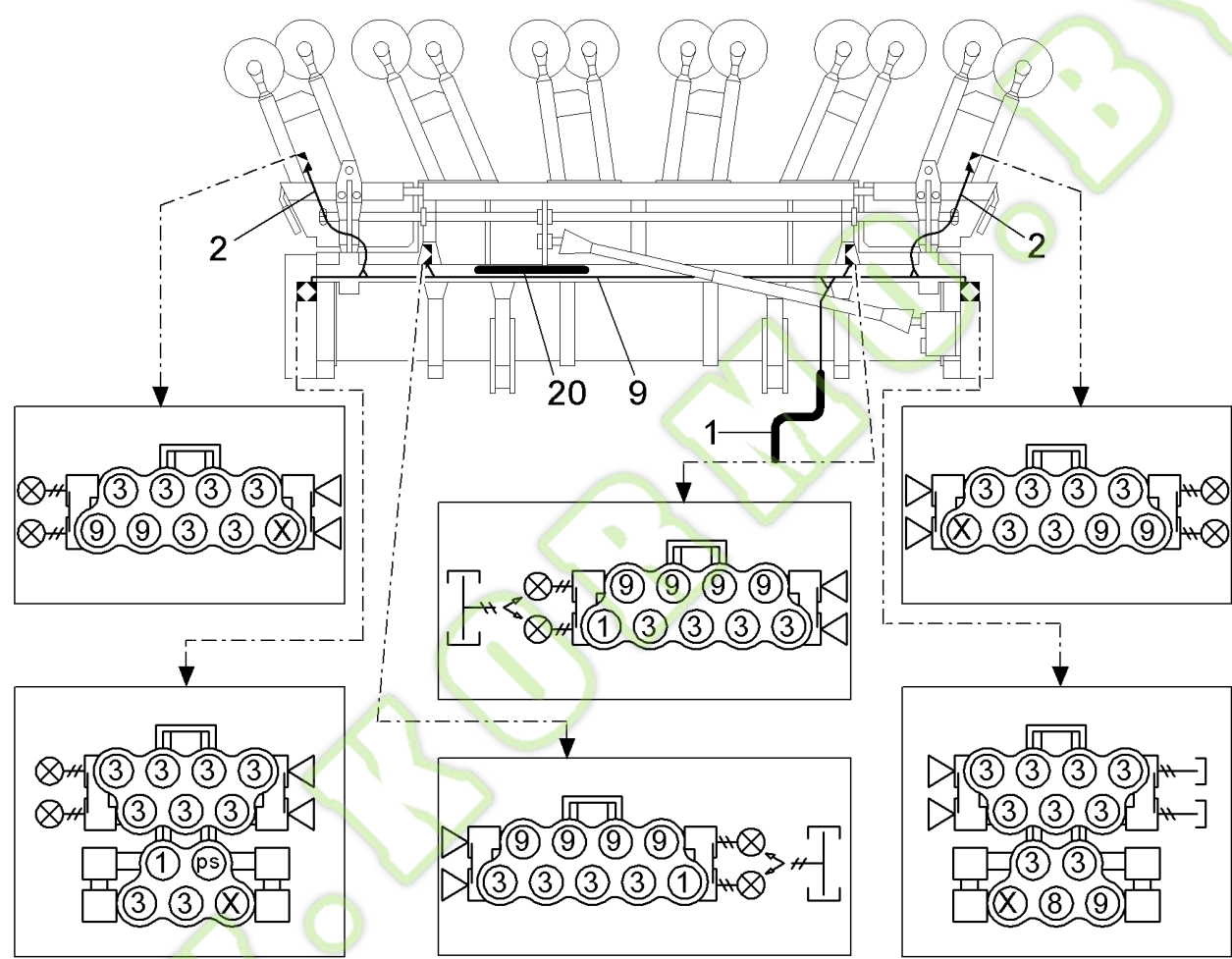
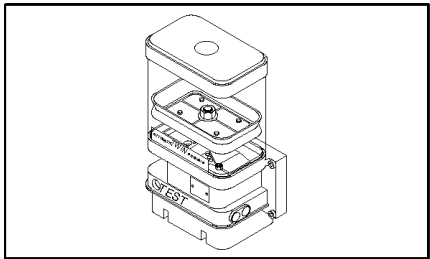
WWW.KORMO.BY

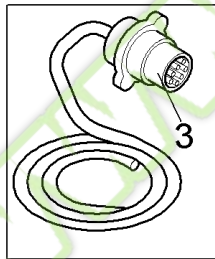
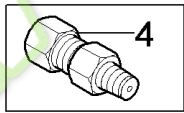
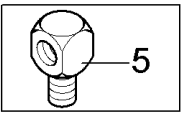
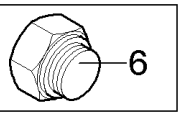
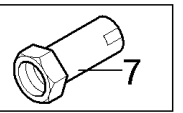
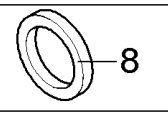
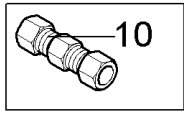
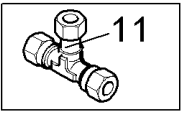
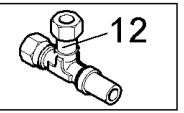
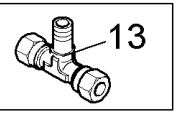
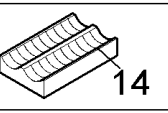
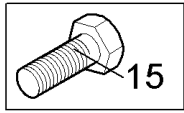
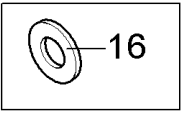
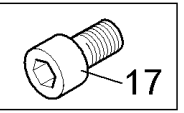
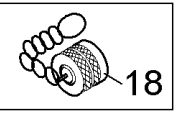
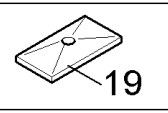


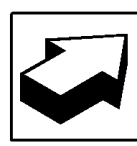
## FX48 SELF-PROPELLED FORAGE HARVESTER (9/98- )

## 11.108A(01) AUTOMATIC LUBRICATION, CROP PRO PLUS TM - D218

Ref	Part Number	Qty	Description
1	84437962	1	BRACKET,
2	84440813	1	BRACKET,
3	80120104	5	SCREW, M8x20
4	322358	7	WASHER, LOCK, {PP:80322358} Belleville, M8, 8MM
5	89706690	4	NUT, CL 8, M8 x 1.25 x 13.0
6	43138	1	SCREW, {PP:80043138} Hex, M10 x 20, 8.8, Full Thd, M10x20
7	140045	1	WASHER, LOCK, {PP:80140045} Belleville, M10, 10MM
8	84062150	AR	O-RING, 18.177x1.78MM
9	84062149	AR	O-RING, 6.75x1.78MM
10	84074951	4	REDUCER, NUMBER 8.5 (8.9)
10	84039096	3	REDUCER, NUMBER 1 (8.9)
11	84039133	AR	FERRULE,
12	84039132	AR	NUT,
13	84078092	AR	TUBE, L=5M, D=6MM
14	84037373	2	COUPLING, QUICK, MALE,
15	84037374	2	DUST CAP,
16	84068113	2	CONNECTOR, HYD.,
17	84037420	2	HOSE,
18	84037357	2	WASHER, SEALING,
19	84037358	2	PLUG,
20	84037349	7	CONNECTOR, HYD.,
21	84053211	5	CONNECTOR, HYD.,
22	84068114	1	MANIFOLD,



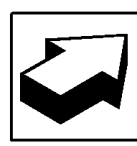
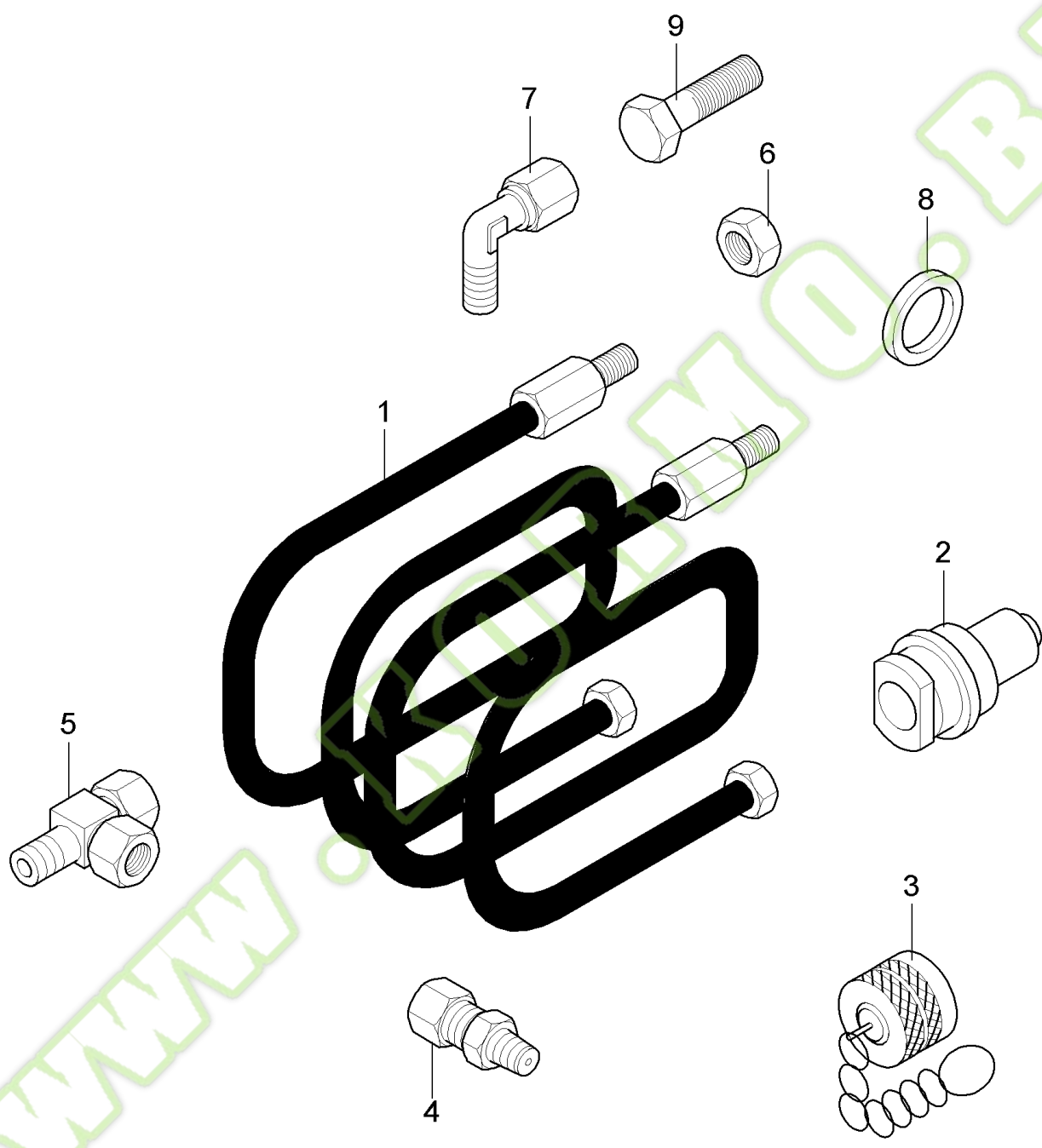
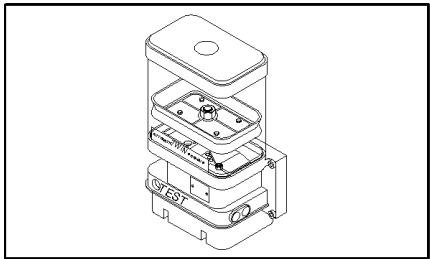
- |   |   |  |   |   |   |
|---|---|--|---|---|---|
|  |  |   |   |  |  |
|  |  |  |  |  |   |
|  |  |  |  |  |   |



## FX48 SELF-PROPELLED FORAGE HARVESTER (9/98- )

## 11.109(01) AUTOMATIC LUBRICATION, 300N6X

Ref	Part Number	Qty	Description
1	84038936	1	HOSE, (Set of 2), BSN C127
1	84320329	2	HOSE, , ASN D128
2	84038937	2	HOSE, (Set of 2), BSN C127
2	84320331	4	HOSE, , ASN D128
3	84042362	1	HARNESS, WIRE, Male
4	84037349	4	CONNECTOR, HYD., 1/8"-6MM
4	84037362	26	CONNECTOR, HYD., Steel,6MM-M8x1
4	84037397	2	CONNECTOR, HYD., 8MM-1/4"
4	84053211	AR	CONNECTOR, HYD., Grass,6MM-M8x1, ASN D128
5	84037355	2	ELBOW, M6x1 CON-M8x1
5	84037392	26	ELBOW, M8x1 CON-M8x1
5	84037398	6	CONNECTOR, HYD., 8MM-1/4"
5	84038922	20	CONNECTOR, HYD., 6MM-M8x1
5	84038923	1	CONNECTOR, HYD., 6MM-M10x1
5	84053211	1	CONNECTOR, HYD., 6 1/8-6 1/8, ASN D128
6	84037358	12	PLUG, 1/4"
7	84037373	2	COUPLING, QUICK, MALE, Female
8	84037357	12	WASHER, SEALING,
9	84038920	AR	TUBE, HYD, 8MMx1MM
9	84038921	AR	TUBE, HYD, 6MMx1MM
10	84038924	2	CONNECTOR, HYD., 8MM-8MM
11	84038925	4	CONNECTION, 3 WAY, 8MM
12	84038926	2	CONNECTION, 3 WAY, 8MM
13	84038927	4	CONNECTION, 3 WAY, 8MM
14	84038928	3	CLAMP, 8MM
14	84320332	3	CLAMP, 12MM
15	43138	2	SCREW, {PP:80043138} Hex, M10 x 20, 8.8, Full Thd, M10x20
15	80120167	2	SCREW, M6x35
15	80300383	AR	SCREW, M10x16
15	331619	8	SCREW, {PP:80331619} M5x1
16	140045	2	WASHER, LOCK, {PP:80140045} Belleville, M10, 10MM
16	140078	2	WASHER, {PP:80140078} 10MM
17	86511830	3	SCREW, Cross Pan Hd, M6 x 20, M6x20
18	84037374	2	DUST CAP,
19	84320333	3	PLATE,
20	84320330	2	HOSE, , ASN D128

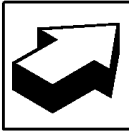
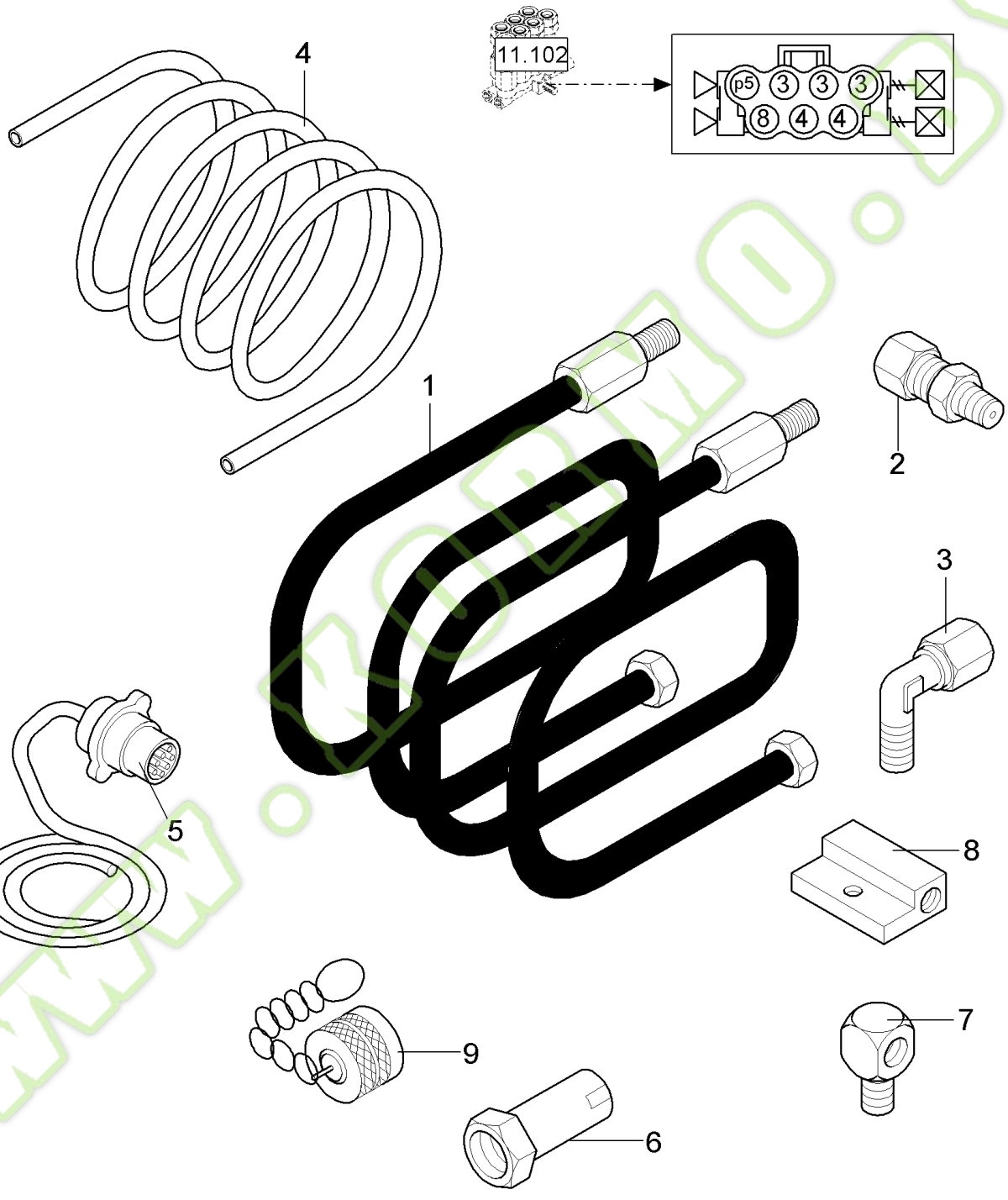
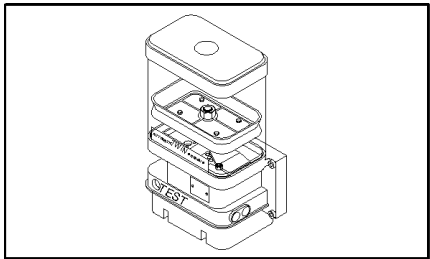


## FX48 SELF-PROPELLED FORAGE HARVESTER (9/98- )

## 11.110(01) EXTENSION KIT FOR AUTOMATIC LUBRICATION, 300N6X - 340WX - 350WX

Ref	Part Number	Qty	Description
1	84038041	AR	HOSE, (Set of 2), BSN C143
1	84320309	AR	HOSE, (Set of 2), ASN D144
2	84037399	2	COUPLING, QUICK, MALE, Male
3	84037400	2	PROTECTION CAP,
4	84037365	2	CONNECTOR, HYD., D=10MM-1/4" NPT
5	84038038	2	CONNECTOR, HYD., D=10MM-D=10MM
6	86508813	3	NUT, M4, CI 8, M5
7	84038040	2	ELBOW, D=10MM
8	140018	6	WASHER, {PP:80140018} M12 x 24 x 2.5, 10MM
8	9706755	4	NUT, {PP:89706755} M6, CI 8,
8	322356	3	WASHER, LOCK, {PP:80322356} 5MM
9	84037379	3	SCREW, M5x40

WWW.KORMO.BY





## FX48 SELF-PROPELLED FORAGE HARVESTER (9/98- )

## 11.111(01) EXTENSION KIT FOR AUTOMATIC LUBRICATION, 340WX - C143

Ref	Part Number	Qty	Description
1	84053210	2	HOSE, FLEXIBLE, (Set of 2)
2	84037349	8	CONNECTOR, HYD., 1/8"-6MM
3	84037391	1	ELBOW, 1/8"-6MM
4	84038921	1	TUBE, HYD, 6MM-1MM
5	84042362	1	HARNESS, WIRE, Male
6	84037373	2	COUPLING, QUICK, MALE, Female
7	84053211	3	CONNECTOR, HYD., 1/8"-1/8"
8	84053209	3	MANIFOLD, 1/8"
9	84037374	2	DUST CAP,

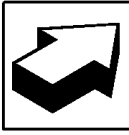
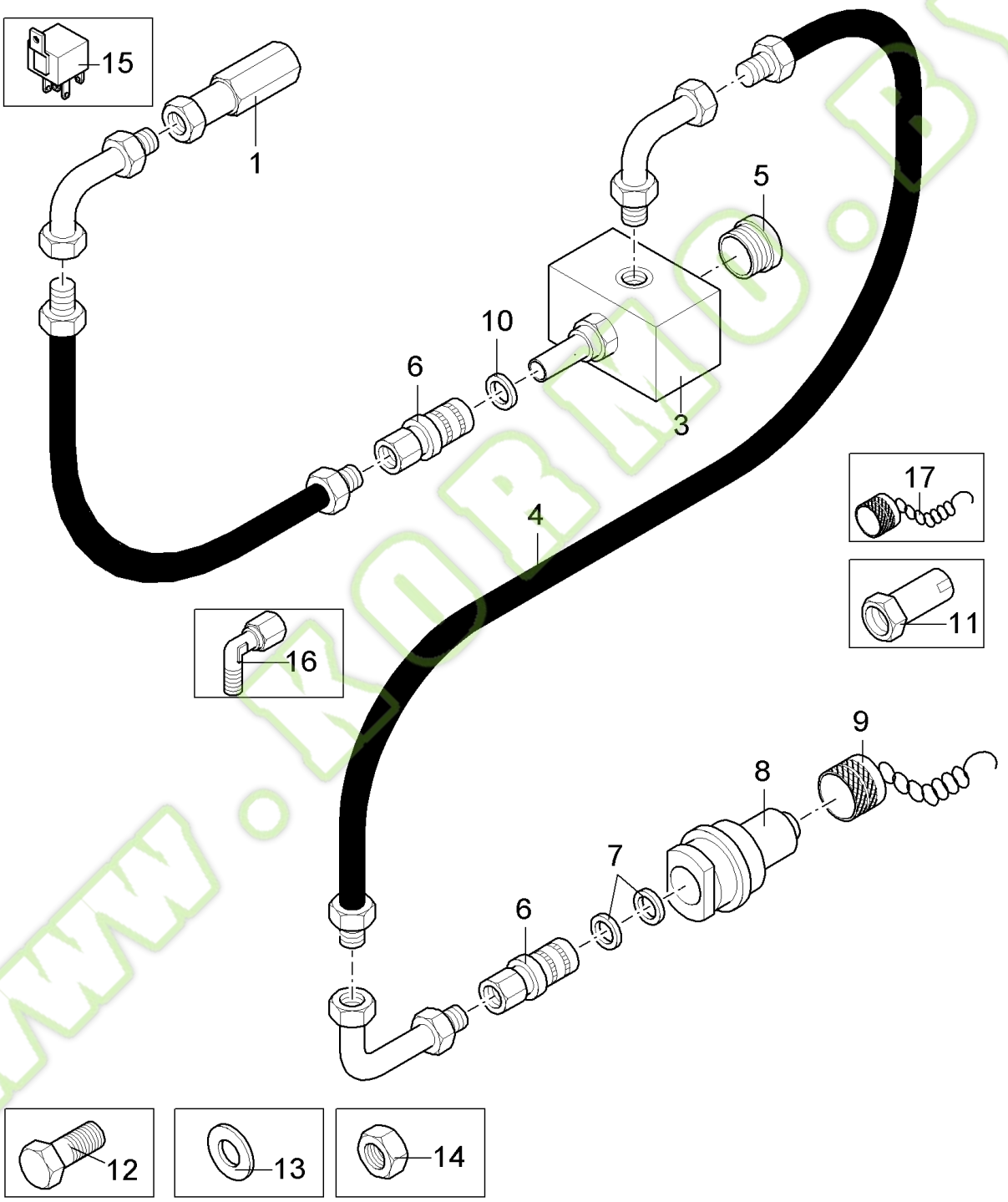
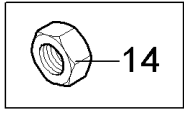
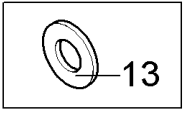
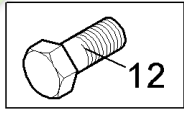
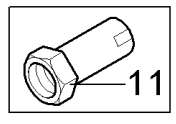
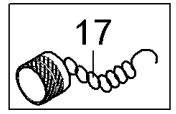
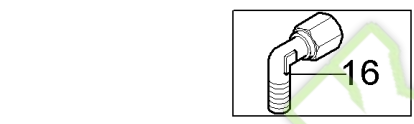
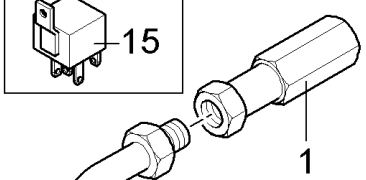
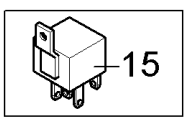
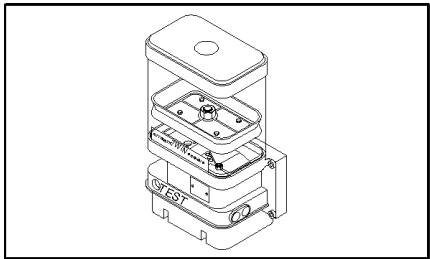
WWW.KORMO.BY



## FX48 SELF-PROPELLED FORAGE HARVESTER (9/98- )

## 11.111A(01) AUTOMATIC LUBRICATION, 345W-355W-365W - D128

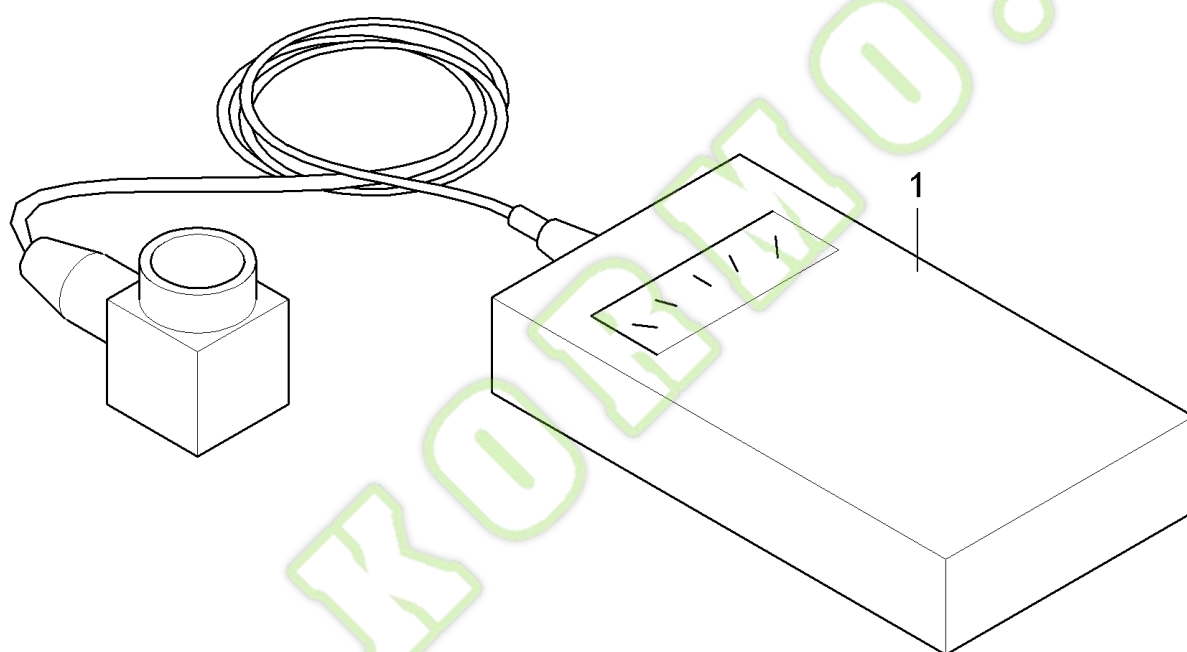
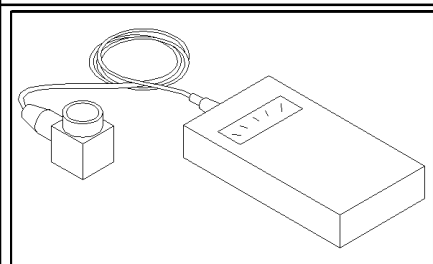
Ref	Part Number	Qty	Description
1	120014	3	SCREW, {PP:80120014} Cross Pan Hd, M6 x 20, M6x20
2	84037349	AR	CONNECTOR, HYD., 1/8"-6MM
3	84037391	3	ELBOW, 1/8"-6MM
4	331619	AR	SCREW, {PP:80331619} M5x10
5	84078403	1	HARNESS, WIRE,
6	84078402	1	CONNECTOR, HYD., D=6MM
7	84053211	AR	CONNECTOR, HYD., 1/8"-1/8"
8	84053209	3	MANIFOLD, 6 1/8
9	84078404	2	CONNECTOR, HYD., 1/8 NPTF-42MM
10	84078405	3	CONNECTOR, HYD., 1/8 NPT-1/8 NPT
11	84078409	2	HOSE,
12	84037373	2	COUPLING, QUICK, MALE,
13	84037374	2	DUST CAP,
14	84078407	1	CONNECTOR, HYD., 1/8 NPTF-70MM
15	140015	3	WASHER, {PP:80140015} 6MM
16	322357	3	WASHER, LOCK, {PP:80322357} Belleville, M6, Belleville, M6
17	84078411	1	CONNECTOR, HYD., , FOR 365W ONLY



## FX48 SELF-PROPELLED FORAGE HARVESTER (9/98- )

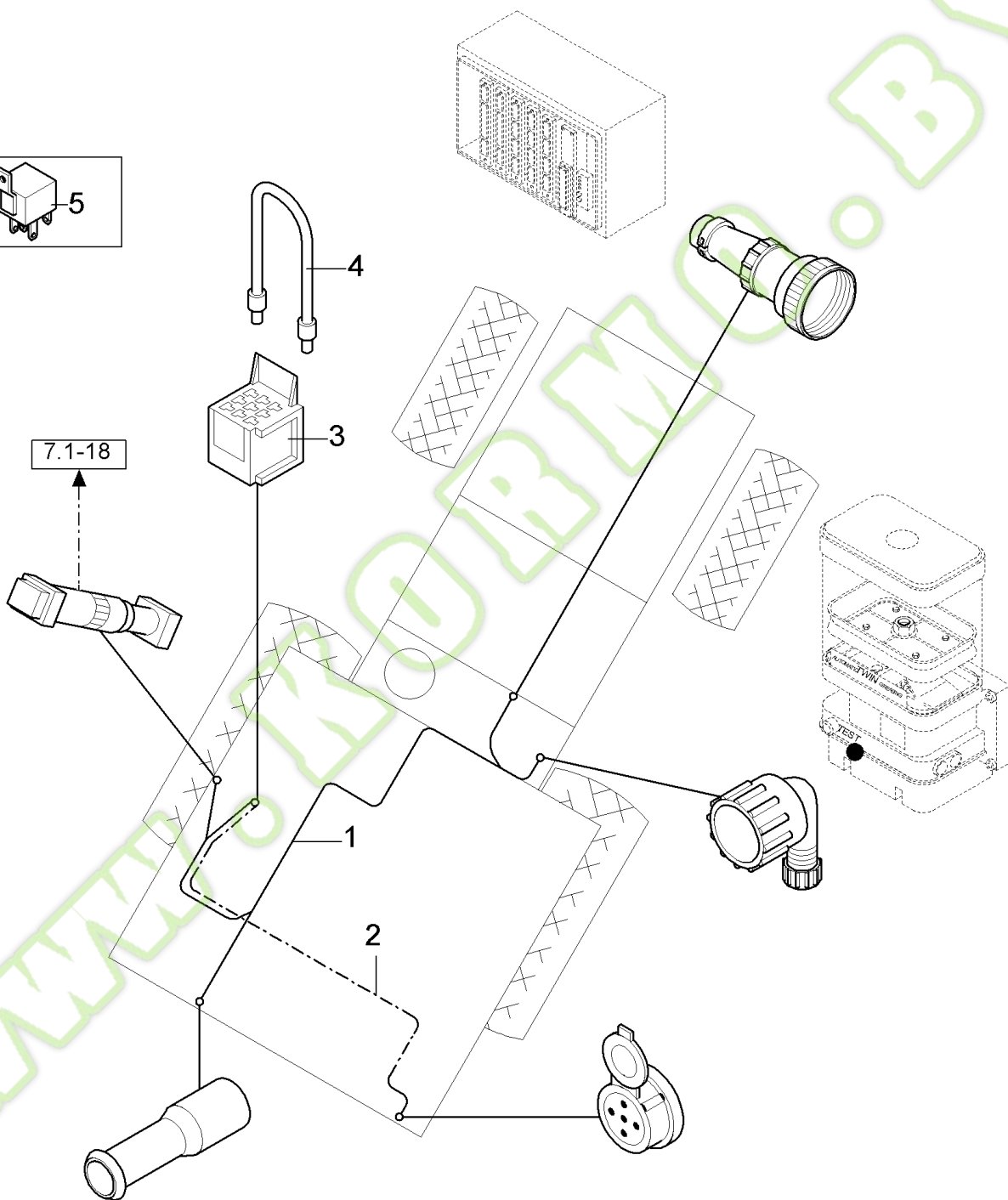
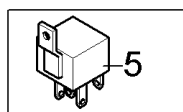
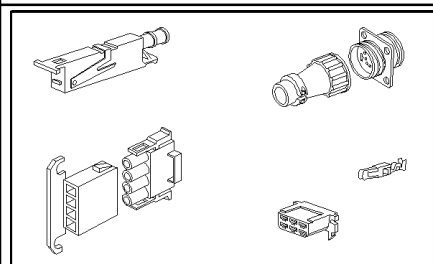
## 11.112(01) EXTENSION KIT FOR AUTOMATIC LUBRICATION, 600N8X - C201

Ref	Part Number	Qty	Description
1	84042358	1	SENDER UNIT,
2	84042360	1	HOSE, FLEXIBLE, , BSN C127
3	84037427	1	VALVE, HYDRAULIC, , BSN C127
4	84068154	1	, BSN C127
4	84320309	1	HOSE, , ASN D128
5	84037429	1	PLUG, , BSN C127
6	84037365	3	CONNECTOR, HYD., 10MM-1/4"
7	86511324	2	WASHER, M12 x 24 x 2.5, 14MM
8	84037399	1	COUPLING, QUICK, MALE, Male
9	84037400	1	PROTECTION CAP,
10	84037425	2	CONNECTOR, HYD., 1/4"-3/8", BSN C127
11	84037373	1	COUPLING, QUICK, MALE, Female
12	84042359	2	SCREW, M5x60, BSN C127
13	322356	4	WASHER, LOCK, {PP:80322356} 5MM, BSN C127
13	9706755	2	NUT, {PP:89706755} M6, CI 8, 5MM, BSN C127
14	86508813	2	NUT, M4, CI 8, M5, BSN C127
15	84000651	1	RELAY, 12V-5P
16	84042357	1	CONNECTOR, HYD., 10MM-1/4", BSN C127
16	84038040	1	ELBOW, , ASN D128
17	84037374	1	DUST CAP,



Ref	Part Number	Qty	Description
1	84040871	1	TESTER,

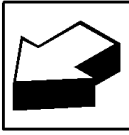
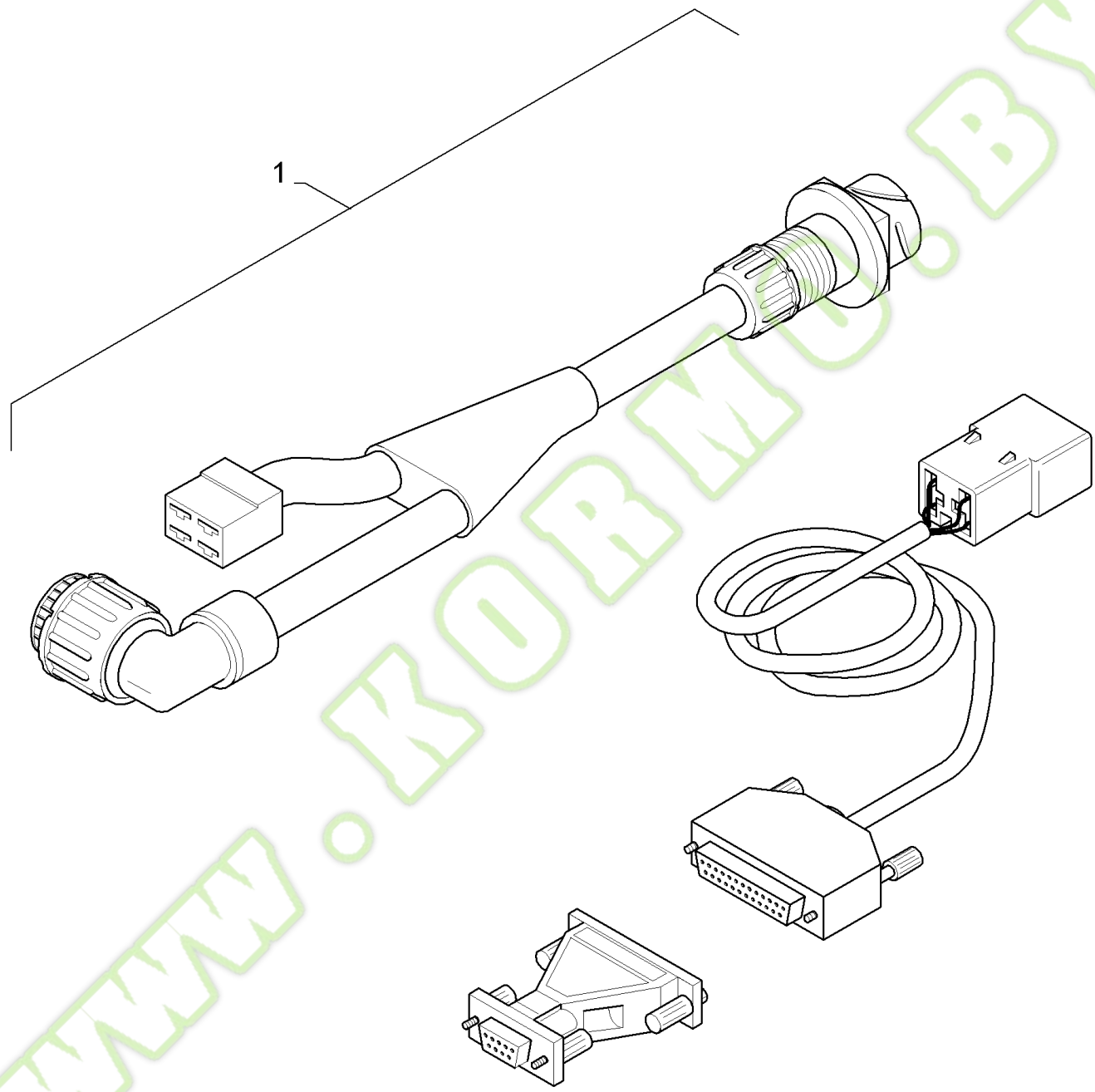
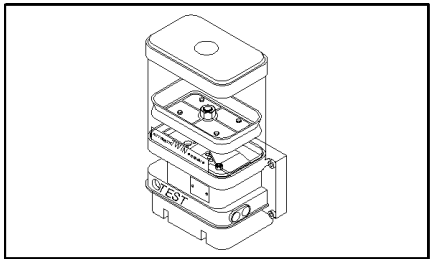
WWW.KORMO.BY





Ref	Part Number	Qty	Description
1	84042351	1	HARNESS, WIRE, Incl.refs.
2	84042363	1	HARNESS, WIRE, Incl.refs.
3	80399158	1	SWITCH, REMOTE CONTROL,
4	84042352	1	HARNESS, WIRE,
5	84000651		AR RELAY,

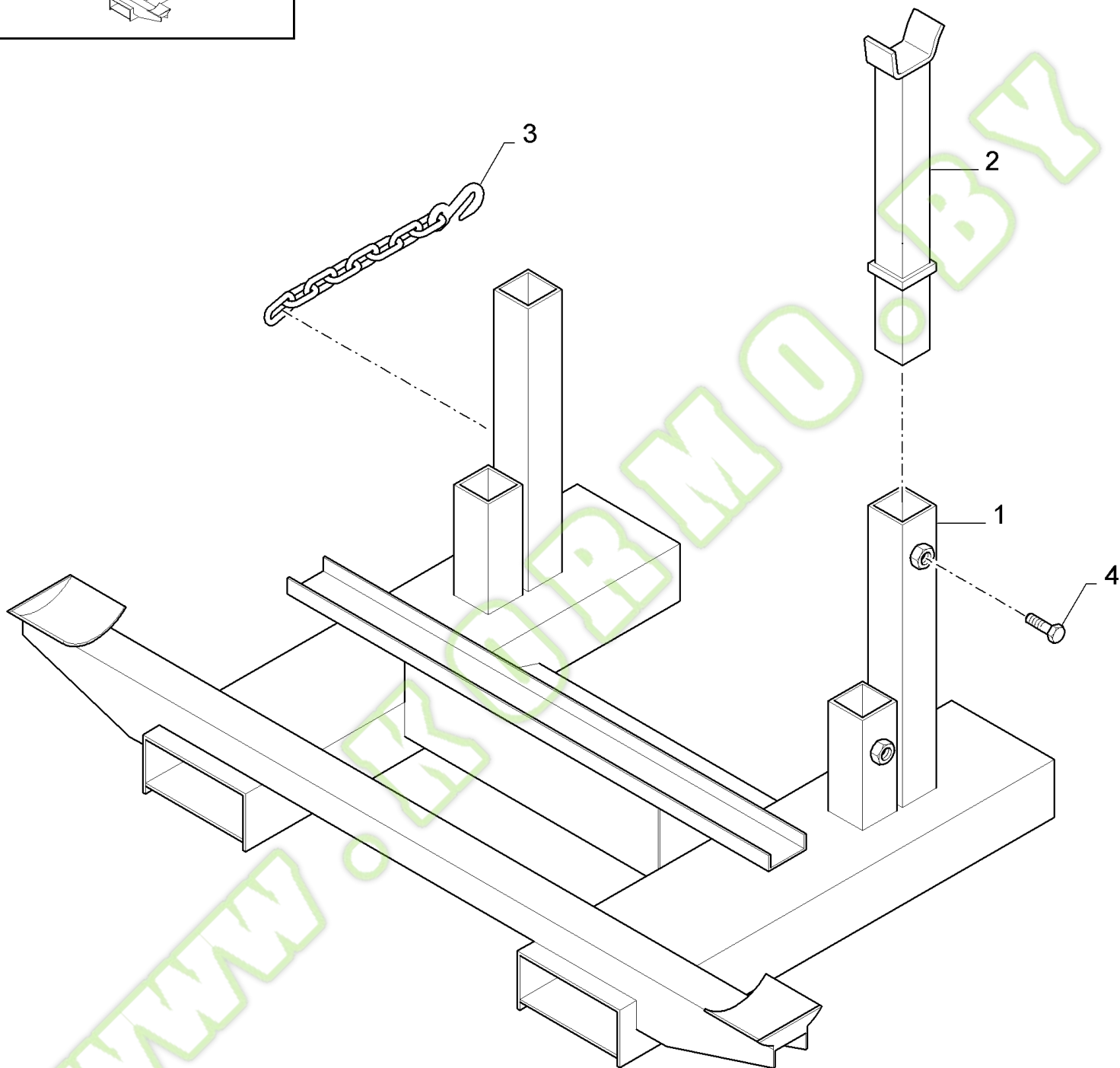
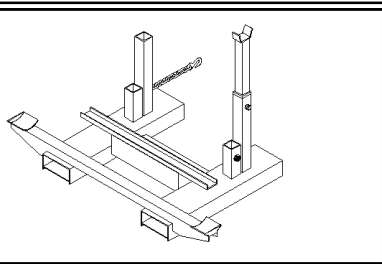
WWW.KORMO.BY



Ref	Part Number	Qty	Description
1	84100397	1 KIT,	

WWW.KORMO.BY

11.116(01) SUPPORT CROP PROCESSOR



## 11.116(01) SUPPORT CROP PROCESSOR

Ref	Part Number	Qty	Description
1	84434827	1	SUPPORT,
2	84434837	2	SUPPORT,
3	84807328	1	CHAIN,
4	300388	4	SCREW, {PP:80300388} Hex, M12 x 25, 8.8, M12x25

WWW.KORMO.BY

SECTIONS

SECTIONS

SECCIONES

AFSNIT

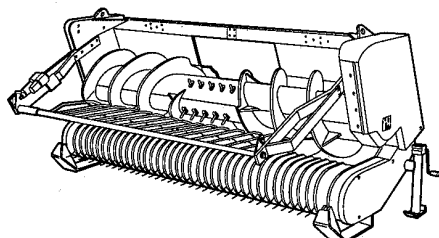
SEZIONI

ABSCHNITTE

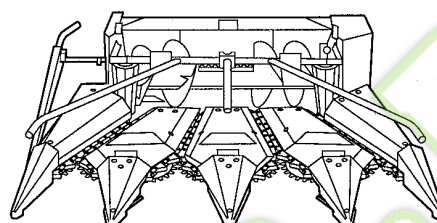
SECÇÕES

SECTIES

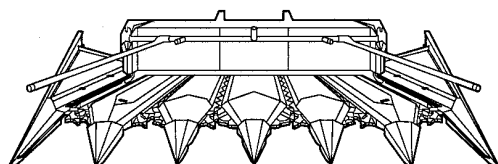
**SEC. 12**



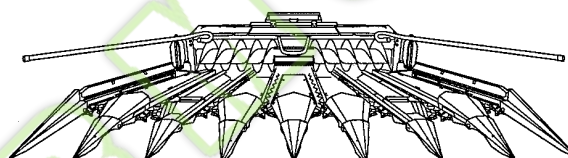
**345W-355W-365W: SEE CATALOGUE  
6032601700**



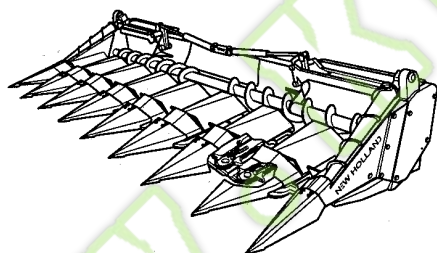
**360N4: SEE CATALOGUE  
6032602000**



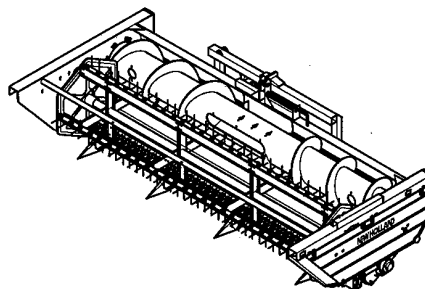
**300N6: SEE CATALOGUE  
6032602000 (C201)**



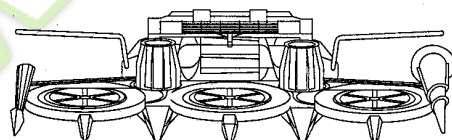
**600N8: SEE CATALOGUE  
6032602000 (C205)**



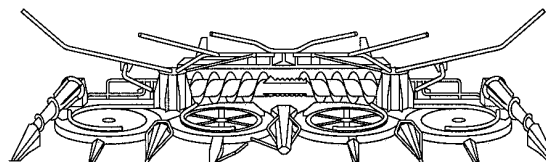
**986F: SEE CATALOGUE  
6032700700**



**DC510: SEE CATALOGUE  
6032602500**



**RI450: SEE CATALOGUE  
6032602600 (D206)**



**RI600: SEE CATALOGUE  
6032602600 (D206)**

Ref	Part Number	Qty	Description
<p>WWW.KORMO.BY</p>			

INITIAL STOCKING LIST  
 ELENCO DI STOCCAGGIO INIZIALE  
 LISTE DU STOCK INITIAL  
 VERZEICHNIS DES ANFANGSBESTANDES

LISTA INICIAL DE STOCK  
 LISTA DE STOCK INICIAL  
 START-LAGERLISTE  
 INITIELE STOCKLIJST

Order Qty		Quantity per no. of units		Part No.	N Description	Remarks	Catalogue Fig.
1	5	1	5				
<b>Initial Stocking List - FX28-38-48-58</b>							
<b>List A - Parts required for preventative maintenance</b>							
	2	10		1909103	Fuel filter	x x x	0.20.0 Engine - C217
	1	5		1909107	Fuel filter	x x x	0.20.0 Engine - C217
	1	5		1931108	Fuel filter	x x x	0.20.0 Engine - D218 ( Replaces 500315480)
	1	5		1931048	Oil filter	x x x	0.30.2 Engine - C217
	2	10		1931099	Oil filter	x x x	0.30.93 Engine - D218 ( Replaces 99445200)
	1	5		89512387	Fuel filter element	x x x	01.020 Fuel tank - C217
	1	5		84989840	Fuel filter element	x x x	01.020A Fuel tank - D218
	1	5		84036676	Filter element	x x x	06.32 Cab air
	1	5		89814477	Oil filter element	x x x	08.01
	1	5		80457412	Oil filter	x x x	08.02
	1	3		89811117	Oil filter element	x x x	08.20
	1	3		84004451	Filter element	x x x	08.31 High pressure filter
<b>List B - Parts required for preventative maintenance and basic repair</b>							





## 46(01) INITIAL STOCKING LIST

Ref	Part Number	Qty	Description
1909103			AR FILTER, ELEMENT,
1909107			AR FILTER, ELEMENT,
1931108			AR FILTER, FUEL,
1931048			AR FILTER, ELEMENT,
1931099			AR FILTER, ENGINE OIL,
9512387			AR FILTER, ELEMENT, {PP:89512387}
84989840			AR FILTER, ELEMENT,
84036676			AR FILTER, ELEMENT,
9814477			AR FILTER, ELEMENT, {PP:89814477}
457412			AR FILTER, ELEMENT, {PP:80457412}
89811117			AR FILTER, ELEMENT,
84004451			AR FILTER, ELEMENT,

WWW.KORMO.BY



## 46A(01) INITIAL STOCKING LIST

Ref	Part Number	Qty	Description
500380059			AR BELT, TRANSMISSION,
504029021			AR BELT,
504020489			AR BELT, TRANSMISSION,
84056423			AR ACTUATOR,
84077509			AR ACTUATOR,
84022807			AR BELT, TRANSMISSION,
84043106			AR BELTS, SET OF 2,
84069440			AR BEARING ASSY,
89835746			AR FILTER, ELEMENT,
89835747			AR FILTER, ELEMENT,
9512385			AR FILTER, FUEL, {PP:89512385}
362804			AR BEARING, BALL, {PP:80362804}
84073615			AR BELTS, SET OF 2,
84432503			AR FILTER, ELEMENT,
84432504			AR FILTER, ELEMENT,
34164			AR BEARING, BALL, {PP:80034164}
432642			AR BELT, TRANSMISSION, {PP:80432642}
84057609			AR BELTS, SET OF 2,
86629503			AR BEARING, BALL,
84433378			AR FILTER, FUEL,
84036579			AR SET OF BELTS,
84056994			AR SENSOR,

INITIAL STOCKING LIST  
 ELENCO DI STOCCAGGIO INIZIALE  
 LISTE DU STOCK INITIAL  
 VERZEICHNIS DES ANFANGSBESTANDES

LISTA INICIAL DE STOCK  
 LISTA DE STOCK INICIAL  
 START-LAGERLISTE  
 INITIELE STOCKLIJST

Initial Stocking List - FX28-38-48-58										
Order Qty	Quantity per no. of units		Part No.	N	Description	Catalogue Fig.	Remarks	F	F	F
	1	5								
1	3		84074273		Set of belts	02.02		x	x	x
0	1		84015464		Bearing	02.03		x	x	x
0	1		84021937		Bearing	02.09		x	x	x
0	1		84320148		Clutch	02.10		x	x	x
2	8		80386509		Cam	02.20		x	x	x
2	10		80386510		Spring	02.20		x	x	x
2	8		80386511		Spring	02.20		x	x	x
0	1		84041900		Ring	02.22		x	x	x
0	1		84041899		Ring	02.23		x	x	x
0	1		89811496		Bearing	02.27		x	x	x
0	1		84036788		Damper	03.03		x	x	x
0	1		84036789		Damper	03.03		x	x	x
0	1		84058132		Band	03.06A		x	x	Replaces 84062420
0	1		84031780		Chain	03.07		x	x	
0	2		86629540		O-ring	03.07		x	x	
0	1		84078963		Ring	03.08		x	x	D152
0	1		84100030		Ring	03.08		x	x	D152
0	1		89811496		Bearing	03.09		x	x	C151
70	210		80280732		Screw	03.11		x	x	
2	6		84035233		Support	03.11		x	x	
6	18		84041142		Knife set	03.11		x	x	Com
6	18		84058342		Knife set	03.11		x	x	Grass, Busatis
70	210		84437220		Washer	03.11		x	x	



## 46B(01) INITIAL STOCKING LIST

Ref	Part Number	Qty	Description
84074273		AR	SET OF BELTS,
84015464		AR	BEARING ASSY,
84021937		AR	BEARING ASSY,
84320148		AR	CLUTCH,
386509		AR	CAM, {PP:80386509}
386510		AR	SPRING, {PP:80386510}
386511		AR	SPRING, {PP:80386511}
84041900		AR	RING, OIL SCRAPER,
84041899		AR	RING, OIL SCRAPER,
89811496		AR	BEARING ASSY,
84036788		AR	DAMPER,
84036789		AR	DAMPER,
84058132		AR	RUBBER BAND,
84031780		AR	CHAIN,
86629540		AR	O-RING, -214, 70 Duro, .984" ID x .139" Thk,
84078963		AR	RING,
84100030		AR	RING, OIL SCRAPER,
89811496		AR	BEARING ASSY,
280732		AR	SCREW, {PP:80280732}
84035233		AR	SUPPORT,
84041142		AR	KNIFE SET,
84058342		AR	KNIFE SET,
84437220		AR	WASHER,

**INITIAL STOCKING LIST  
ELENCO DI STOCCAGGIO INIZIALE  
LISTE DU STOCK INITIAL  
VERZEICHNIS DES ANFANGSBESTANDES**

**LISTA INICIAL DE STOCK  
LISTA DE STOCK INICIAL  
START-LAGERLISTE  
INITIELE STOCKLIJST**

**Initial Stocking List - FX28-38-48-58**

Order Qty	Quantity per no. of units		Part No.	N Description	Remarks	Catalogue Fig.	F	F	F	F	F	F
	1	5										
	6	18	86503031	Support		03.11	x	x	x	x	x	
	6	18	89819423	Knife set	Grass, Lund	03.11	x	x	x	x	x	
	0	1	84015422	Ring, oil scraper	C151	03.12	x	x	x	x	x	
	0	1	84074275	Ring, oil scraper	D152	03.12	x	x	x	x	x	
	0	1	80220020	Ring, oil scraper	C151	03.13	x	x	x	x	x	
	0	1	84074274	Ring, oil scraper	D152	03.13	x	x	x	x	x	
	1	2	84036892	Blade, scraper		03.14	x	x	x	x	x	
	0	1	84058335	Shear Bar	Grass, Busatis	03.15	x	x	x	x	x	
	0	1	84058692	Sensor		03.15	x	x	x	x	x	
	0	1	84062351	Shear Bar	Grass, Lund	03.15	x	x	x	x	x	
	0	1	84062352	Shear Bar	Corn	03.15	x	x	x	x	x	
	0	1	84100395	Shear Bar	Heavy Duty/Corn - Not for NA	03.15	x	x	x	x	x	
	0	2	84004940	Bearing		03.17	x	x	x	x	x	
	0	2	84056378	Grind stone	Corn/Busatis only	03.20	x	x	x	x	x	
	0	2	84056379	Grind stone		03.20	x	x	x	x	x	
	0	1	84607563	Guide		03.24	x	x	x	x	x	
	0	1	84607566	Guide		03.24	x	x	x	x	x	
	1	5	80443898	Bearing		04.01	x	x	x	x	x	
	0	1	84026761	Set of 4 belts	Standard crop processor	04.02	x	x	x	x	x	
	1	3	84435248	Belt 4HA	Standard crop processor	04.02	x	x	x	x	x	
	1	3	84054417	Belt	Cropro Plus	04.51	x	x	x	x	x	
	0	1	84056907	Sensor	Cropro Plus	04.51	x	x	x	x	x	
	0	1	84334898	Pulley	Cropro Plus	04.51	x	x	x	x	x	



Ref	Part Number	Qty	Description
86503031		AR	SUPPORT,
9819423		AR	KNIFE SET, {PP:89819423}
84015422		AR	ELEMENT, SEALING,
84074275		AR	RING, OIL SCRAPER,
220020		AR	RING, OIL SCRAPER, {PP:80220020}
84074274		AR	RING, OIL SCRAPER,
84036892		AR	BLADE, SCRAPER,
84058335		AR	SHEAR BAR,
84058692		AR	SENSOR,
84062351		AR	SHEAR BAR,
84062352		AR	SHEAR BAR,
84100395		AR	SHEAR BAR,
84004940		AR	BEARING ASSY,
84056378		AR	GRINDSTONE,
84056379		AR	GRINDSTONE,
84607563		AR	GUIDE,
84607566		AR	GUIDE,
443898		AR	BEARING ASSY, {PP:80443898}
84026761		AR	SET OF BELTS,
84435248		AR	BELT, TRANSMISSION,
84054417		AR	BELT, TRANSMISSION,
84056907		AR	SENSOR,
84334898		AR	PULLEY,





## 46D(01) INITIAL STOCKING LIST

Ref	Part Number	Qty	Description
	84004619		AR BLADE, TILLAGE,
	84023856		AR WEAR STRIP,
	84078162		AR WEAR STRIP,
	683948		AR PLATE, SKID, {PP:80683948}
	84045002		AR FILTER, ELEMENT,
	84000651		AR RELAY,
	84062271		AR BUSHING,
	84432110		AR BRUSH,
	84807174		AR KIT, REPAIR,

WWW.KORMO.BY

WWW.KORMO.BY